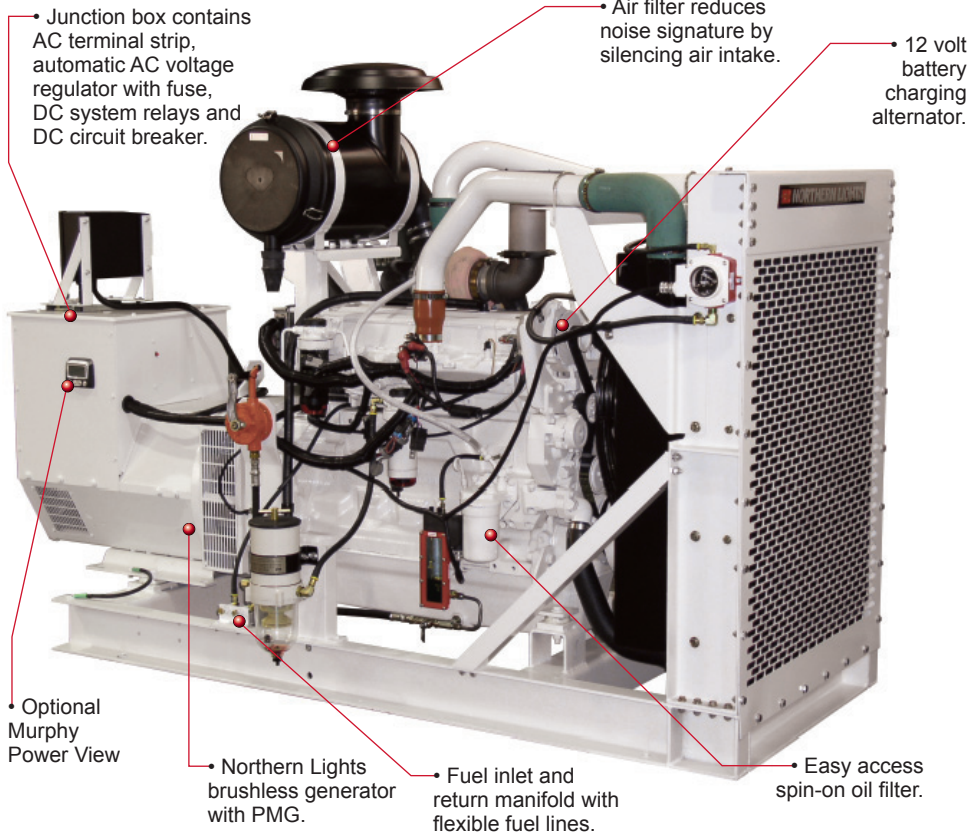
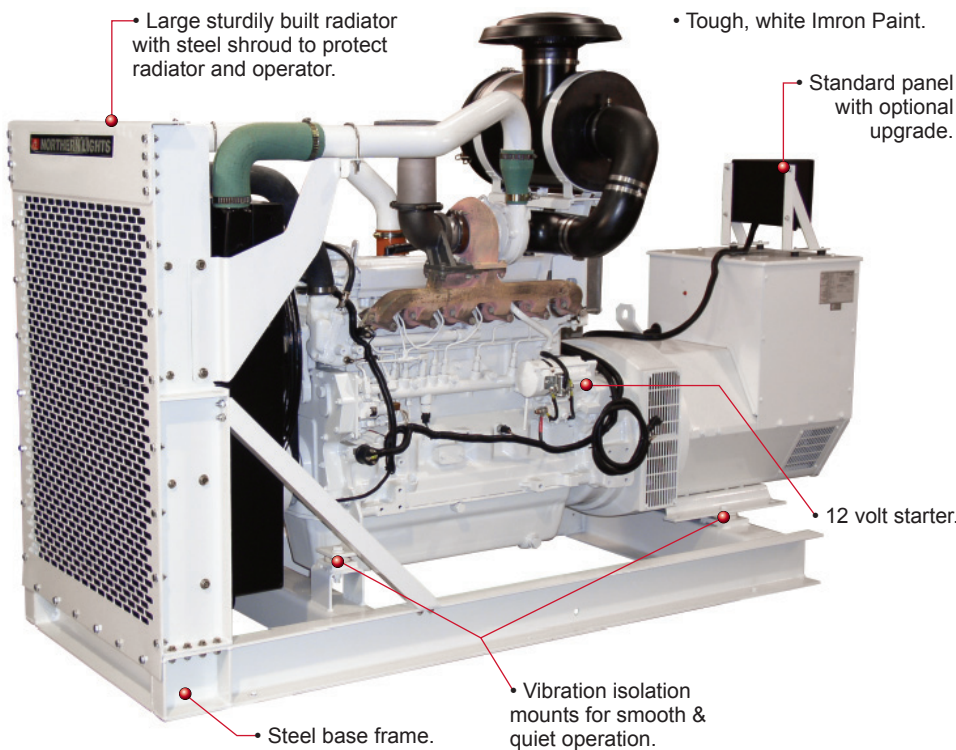


## Service Side



## Non-Service Side



**135-180 kW**  
Prime Power

---

**150-200 kW**  
Standby

For five decades, Northern Lights has built steadfast, reliable machines for the industrial market. From the extremes of the Alaska outback, to the deserts of the Middle East, and everywhere in between, Northern Lights Land Based Generator sets have been built to last.

The NL1066H23 and NL1066H33 feature benefits that make them the most reliable, durable and simple to use and maintain machines in their power range. Producing 135-180 kW of prime power, and utilizing the innovative high pressure common rail fuel systems, the NL1066's are up to the most arduous tasks.

Every NL1066 in the series combines high torque, low RPM industrial diesel, a conservatively rated generator end and your choice of controls. The resulting power system is equally adept at providing economical prime power or reliable stand-by protection. The NL1066H33 is designed to pick up 100% of the rated load with minimal voltage dip and a quick recovery time.

You will never find a lightweight motor on a Northern Lights. The base is a six cylinder, in-line Deere tractor engine designed for peak torque at low RPM. These engines meet all current EPA, CARB and EEC emissions standards - you have the peace of mind of clean energy even in pristine environments.

The NL1066 Series is air cooled with a pusher fan to provide greater performance and lowered emissions. The fan guard and steel radiator shroud provide optimal safety and reliability.

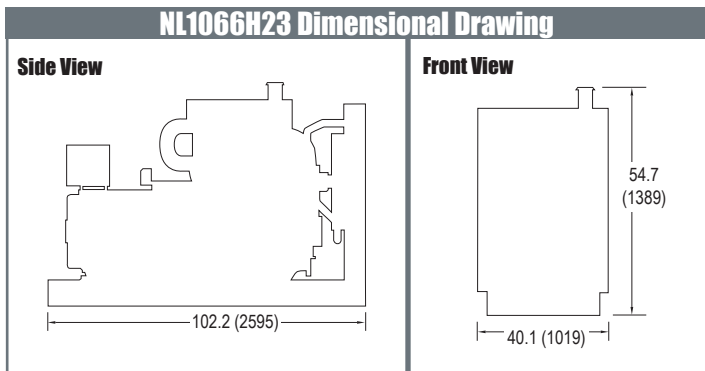
A key principal to all Northern Lights' product is simplicity of design. Most service points are placed on a common side. Spin on oil and air filters help make routine maintenance a breeze.

For base camps, barges, homes or even off-grid power, Northern Lights has an industrial solution that is right for you.

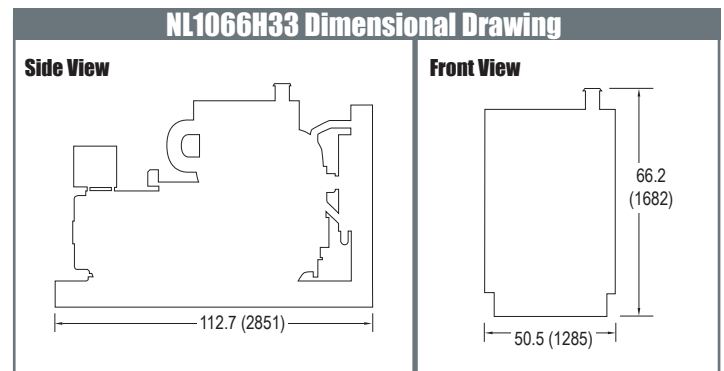
# NL1066 Series

# General Specifications and Dimensions

Application	NL1066H23	NL1066H33
<b>Prime - 60 Hz, 1800 RPM</b>	<b>135 kW</b>	<b>180 kW</b>
<b>Standby - 60 Hz, 1800 RPM</b>	<b>150 kW</b>	<b>200 kW</b>
<b>Lugger Marine Diesel Engine</b>		
Cylinders/Operating cycle	6 inline / 4 cycle	6 inline / 4 cycle
Aspiration	Turbo Aftercooled	Turbo Aftercooled
Displacement - cid (liter)	414 (6.8)	414 (6.8)
Bore - inches (mm)	4.19 (106)	4.19 (106)
Stroke - inches (mm)	5.00 (127)	5.00 (127)
Flywheel housing size	SAE 2	SAE 2
HP @ 1800 RPM - Prime	216	286
HP @ 1800 RPM - Standby	237	315
<b>Cooling System</b>		
Engine coolant capacity - US gal (ltr)	4.25 (11.9)	4.25 (11.9)
Jacket water pump capacity - gpm (lpm)	48 (180)	70 (265)
Maximum coolant temperature - F(C)	221 (105)	221 (105)
Heat rejected to coolant, btu/min - Prime	4892	4766
Heat rejected to coolant, btu/min - Standby	5324	5404
<b>Exhaust</b>		
Exhaust gas flow, cfm(m <sup>3</sup> /m) - Prime	1165 (33.0)	1371 (38.8)
Exhaust gas flow, cfm(m <sup>3</sup> /m) - Standby	1201 (34.0)	1514 (42.9)
Exhaust gas temperature, F(C) - Prime	916 (491)	982 (528)
Exhaust gas temperature, F(C) - Standby	941 (505)	905 (485)
Maximum allowable back pressure, in(mm)	30 (762)	30 (762)
<b>Fuel System</b>		
Fuel Injection	High Pressure Common Rail	High Pressure Common Rail
Approximate fuel consumption, US gal(ltr) - Prime	10.9 (41.4)	13.7 (51.9)
Approximate fuel consumption, US gal(ltr) - Standby	11.8 (44.7)	15.5 (58.6)
Minimum suction line size, in	3/8"	3/8"
Minimum return line size, in	3/8"	3/8"
Maximum transfer pump lift from pump in(mm)	39" (990)	39" (990)
Maximum fuel flow to transfer pump GPH	25.6	23
<b>DC Electrical System</b>		
DC Starting voltage	12	12
Minimum Battery capacity	800 CCA	800 CCA
Battery cable size	"0"	"0"
<b>AC Electrical System</b>		
Rated ambient air temperature	40c	40c
Rated temperature rise - Prime	105c	105c
Rated temperature rise - Standby	130c	130c
<b>Lubrication System</b>		
Oil pressure at rated speed, psi (kPa)	44 (300)	49 (339)
Oil pressure shutdown, psi (kPa)	15 (103)	15 (103)
Lube oil type	CH-4	CH-4
Maximum lube oil temperature, F(C)	241 (116)	241 (116)
<b>Dimensions and Weight</b>		
Length, inch (mm)	102.2 (2595)	112.7 (2851)
Width, inch (mm)	40.1 (1019)	50.5 (1285)
Height, inch (mm)	54.7 (1389)	66.2 (1682)
Approx. set dry weight, lbs (kg)	3385 (1539)	5330 (2417)



**Overall Dimensions L x W x H:**  
102.2 x 40.1 x 54.7 inch (2595 x 1019 x 1389 mm)  
Dimensions subject to change without notice. Not intended for installation.  
Contact dealer or visit [www.northern-lights.com](http://www.northern-lights.com) for most current installation drawings.



**Overall Dimensions L x W x H:**  
112.7 x 50.5 x 66.2 inch (2851 x 1285 x 1682 mm)  
Dimensions subject to change without notice. Not intended for installation.  
Contact dealer or visit [www.northern-lights.com](http://www.northern-lights.com) for most current installation drawings.

## Dealer

4420 14th Ave. NW., Seattle WA 98107  
Tel: (206) 789-3880 • 1-800-762-0165 • Fax: (206) 782-5455  
info@northern-lights.com

Information and dimensions subject to change without notice.  
Northern Lights and Lugger are registered trademarks of Northern Lights, Inc.  
Litho USA, © 2011 All rights reserved. L725 03/11



[www.northern-lights.com](http://www.northern-lights.com)