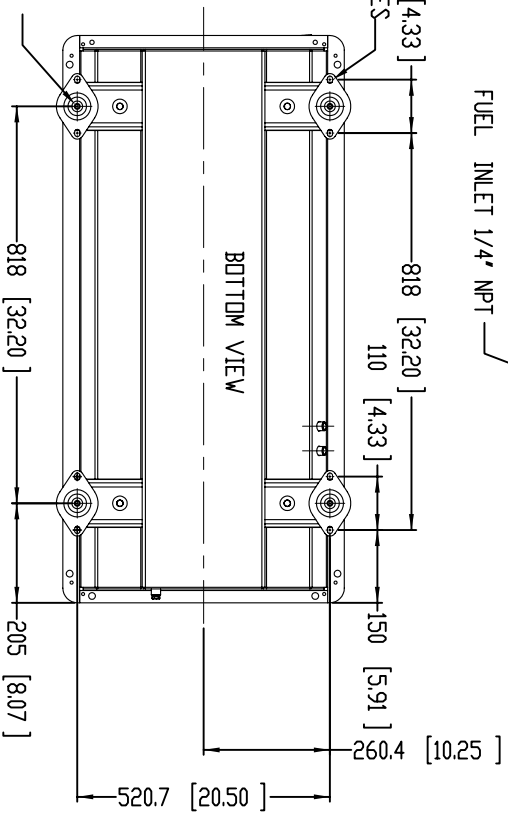
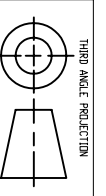


Ø 14 x 8 Ø .55 x .71 SLOTTED HOLES,
2 HOLES, 4 PLACES,
OPTIONAL COMPOUNDED MOUNTS.



TOTAL WEIGHT, WET: 441 KG [973 lbs.]



PROPERTY AND CONFIDENTIAL INFORMATION. THE INFORMATION CONTAINED IN THIS DRAWING IS THE SOLE PROPERTY OF NORTHERN LIGHTS. REPRODUCTION OR TRANSMISSION IN ANY FORM OR BY ANY MEANS WITHOUT THE WRITTEN PERMISSION OF NORTHERN LIGHTS IS PROHIBITED.

UNLESS OTHERWISE SPECIFIED		DRAWN		NAME	DATE	
DIMENSIONS ARE IN MILLIMETERS		LTP		MG	4/12/11	
TOLERANCES ARE:		CHECKED		ENG APPR	4/19/11	
FRACTIONS ± .03		MFG APPR				
DECIMALS ± .03		DA				
HOLE POSITION ± .03		COMMENTS:				
HOLE DRILLING PER ASME Y14.5M						
MATERIAL						
FINISH						
DO NOT SCALE DRAWING						
NEXT ASSY						
USED ON						
APPLICATION						
SCALE: 1:100 WEIGHT:						
SHEET 1 OF 1						

NORTHERN LIGHTS
14420 14th AVE, NW
Seattle, WA 98107
(206) 799-3880
WWW.NORTHERNLIGHTS.COM

TITLE:
INSTALLATION DIMS
M844LW3 GENSET

SIZE DWG: ND
C-6863

REV