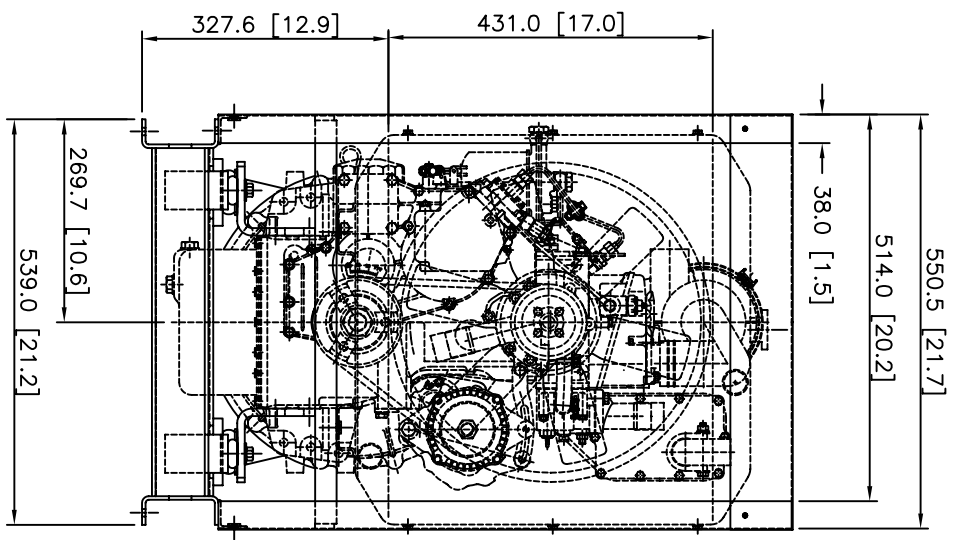
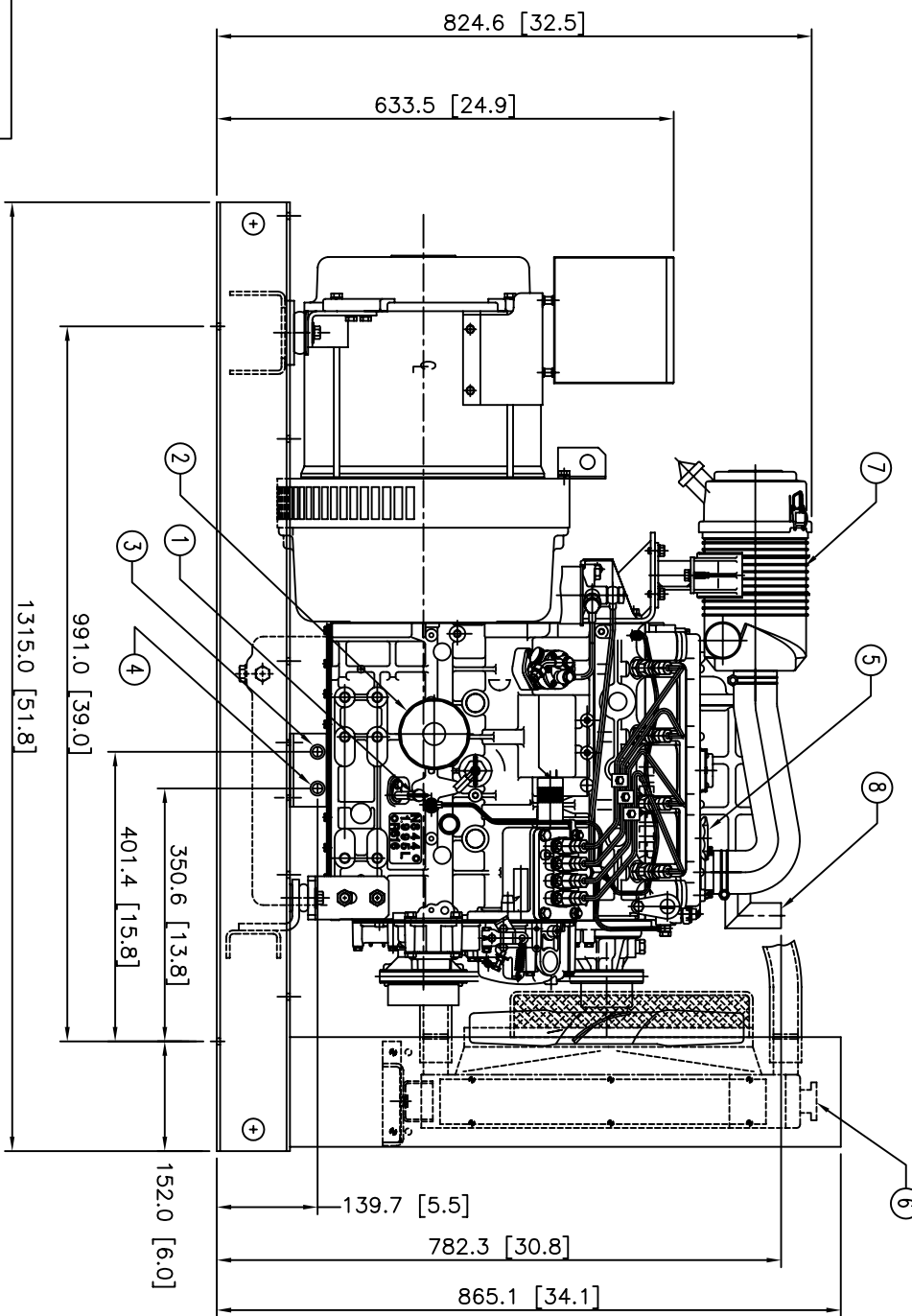
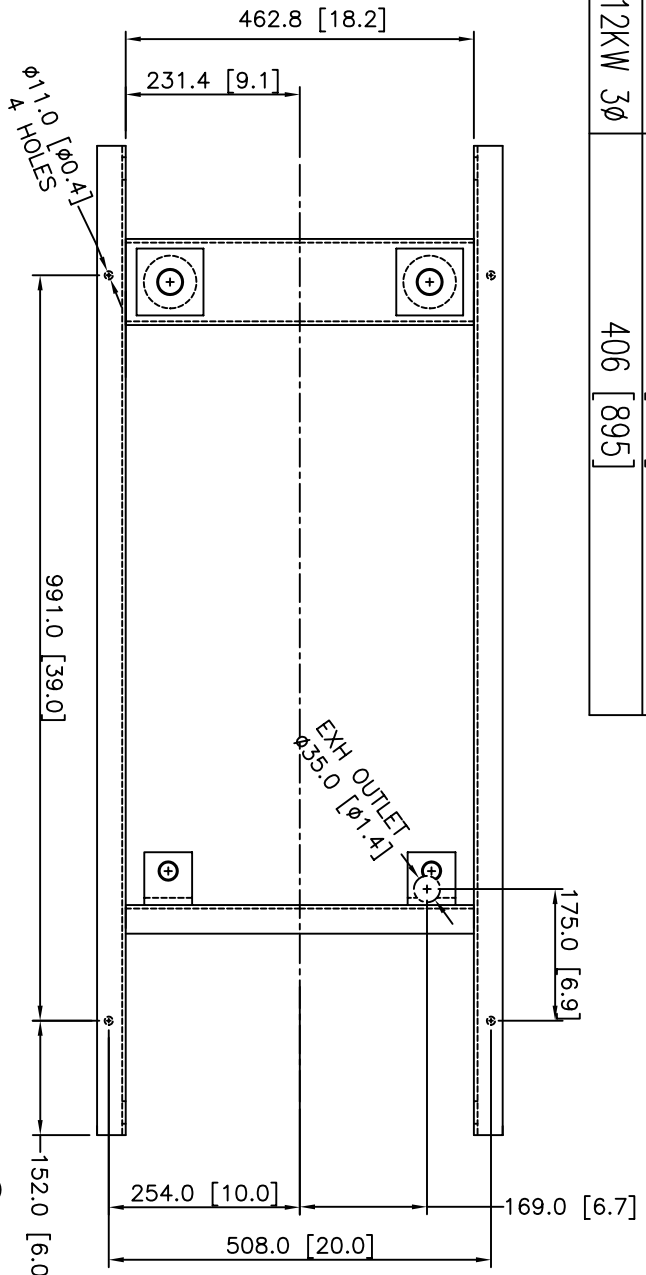


MODELS	APPROX WT. kg [lbs]
NL844W2/W3 1800RPM 60HZ 16KW 1Ø	406 [895]
NL844W2/W3 1500RPM 50HZ 12KW 1Ø	406 [895]
NL844W2/W3 1800RPM 60HZ 16KW 3Ø	406 [895]
NL844W2/W3 1500RPM 50HZ 12KW 3Ø	406 [895]

ITEM	DESCRIPTION	ITEM	
1	OIL DIPSTICK	8	EXHAUST OUTLET Ø35 [1.4]
2	OIL FILTER		
3	FUEL INLET 1/4 NPT		
4	FUEL RETURN 1/4 NPT		
5	OIL FILL		
6	COOLANT FILL		
7	AIR CLEANER		



THE DIMENSIONS ON THIS DRAWING ARE SUBJECT TO CHANGE. PLEASE CONTACT NORTHERN-LIGHTS TO BE SURE YOU HAVE THE MOST CURRENT REVISION.

**NORTHERN LIGHTS**  
 4420 14th Avenue S.W.  
 Seattle, WA 98148  
 www.northernlights.com

INSTALLATION DIMENSIONS  
 NL844W2/W3 PX-316K2.2  
 SEE TABLE

DATE: 06/22/08  
 DRAWN BY: [Signature]  
 CHECKED BY: [Signature]  
 APPROVED BY: [Signature]

REVISIONS

DATE: 06/22/08  
 BY: [Signature]  
 DESCRIPTION: [Signature]

SCALE: 1/8"  
 SHEET: 1 OF 1  
 PART: PX-316K2.2  
 UNIT: INCH  
 SYSTEM: A

