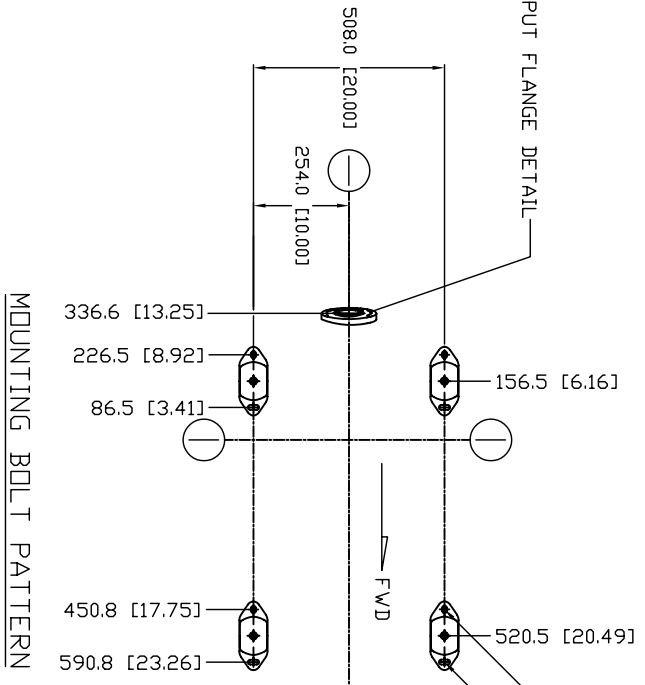
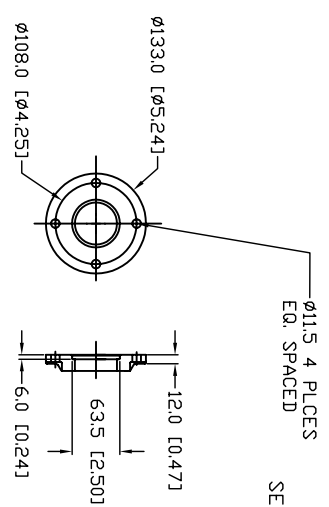


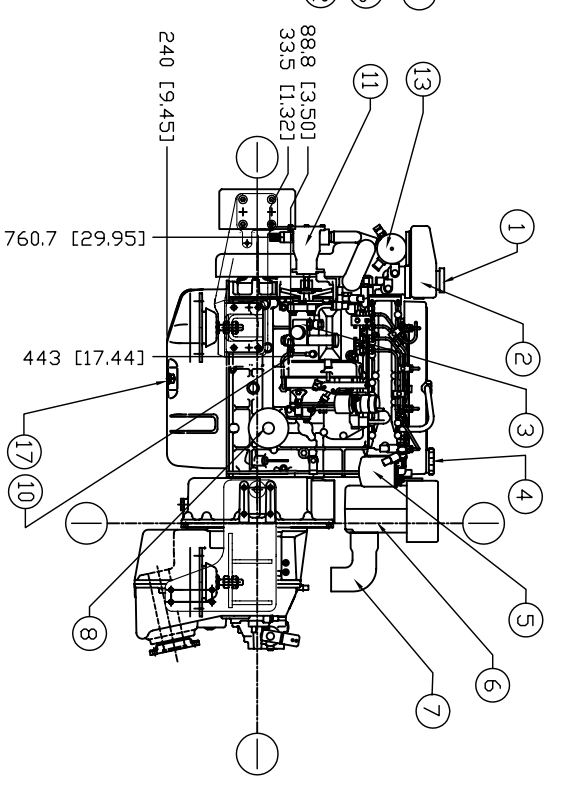
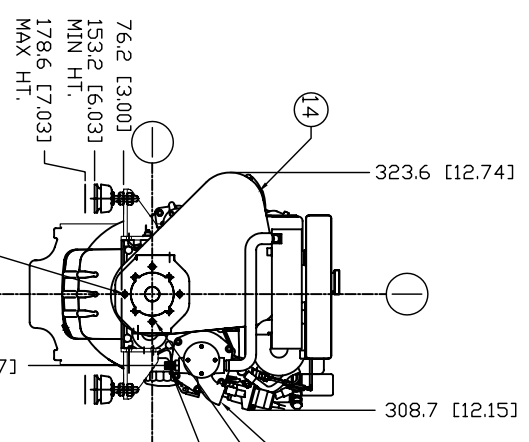
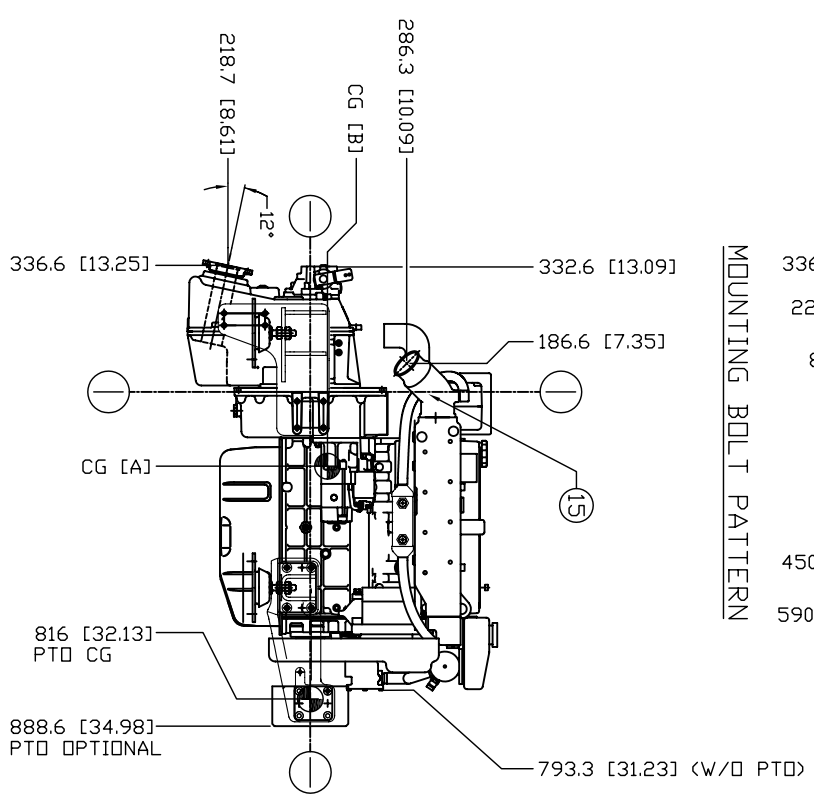
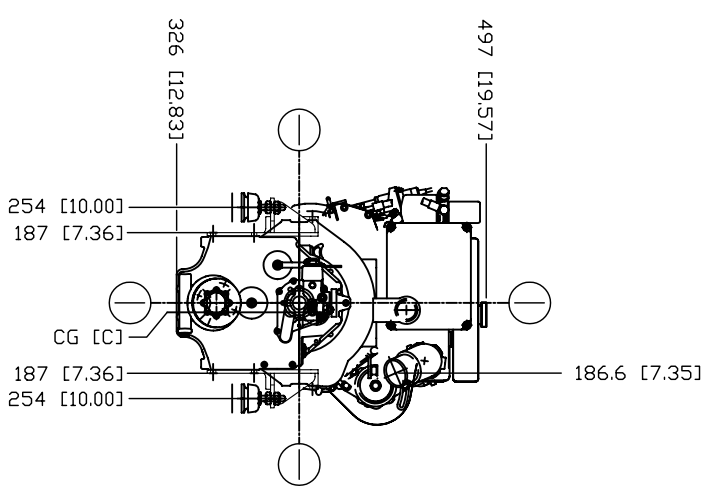
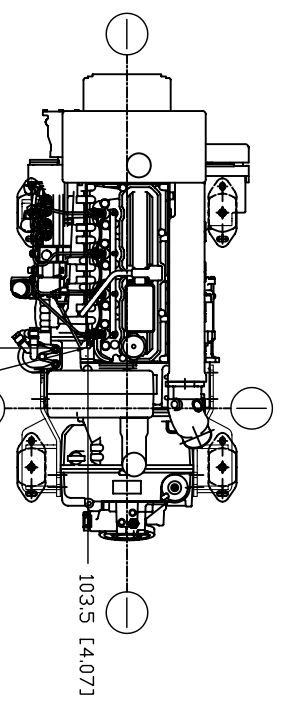
CENTER OF GRAVITY		
A	B	C
197mm [7.8in]	46mm [1.8in]	25mm [.98in]

NOTE:
 1) CENTER OF GRAVITY VALUES DO NOT INCLUDE PTO/CLUTCH ASSEMBLY ONLY.
 2) PTO ADAPTER/CLUTCH ASSY ONLY WEIGHTS APPROX. 65 lbs. (29.5 kg.)
 3) CUSTOMER MUST RECALCULATE C.G. FOR ADDITION OF HYDRAULIC PUMP.

LEGEND	
NO.	DESCRIPTION
1	COOLANT FILL
2	EXHAUST TANK
3	FUEL LIFT PUMP
4	CL. FILL
5	FUEL FILTER
6	WATER AIR FILTER
7	AIR FILTER
8	CL. FILLER
9	FUEL RETURN 1/4"-37 AC
10	FUEL INLET 1/4"-37 AC
11	LOW WATER PUMP
12	LOW WATER PUMP INLET 3/4" O.D.
13	WATER EXHAUST
14	BEST QUALITY LUBE FILLER AT (PTO)
15	PTO DRIVE SHAFT 3" O.D.
16	OPERATOR P.D.
17	CL. BURN FLUX



13 x 20 (.50 x .78) SLOT 4 PLACES
 13 x 30 (.50 x 1.18) SLOT 4 PLACES



OPTIONAL POWER TAKE-OFF MOUNTING
 FACE 'B' SPLINE 13T 接 DP (2) DR (4) BOLT

EST. WEIGHTS: 360kg, 794lb.



NORTHERN-LIGHTS INC.
 205 S. 14th St.
 Seattle, WA 98107 (206) 798-8880

REGULATORY MARKINGS
 0M 01 2000
 D-429