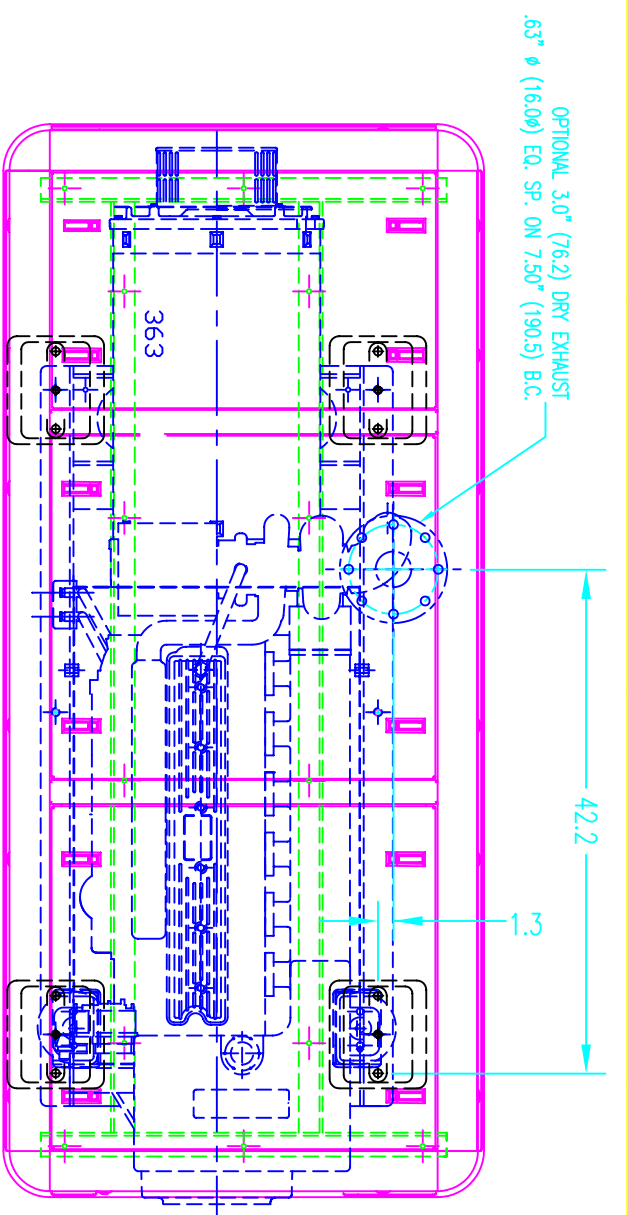
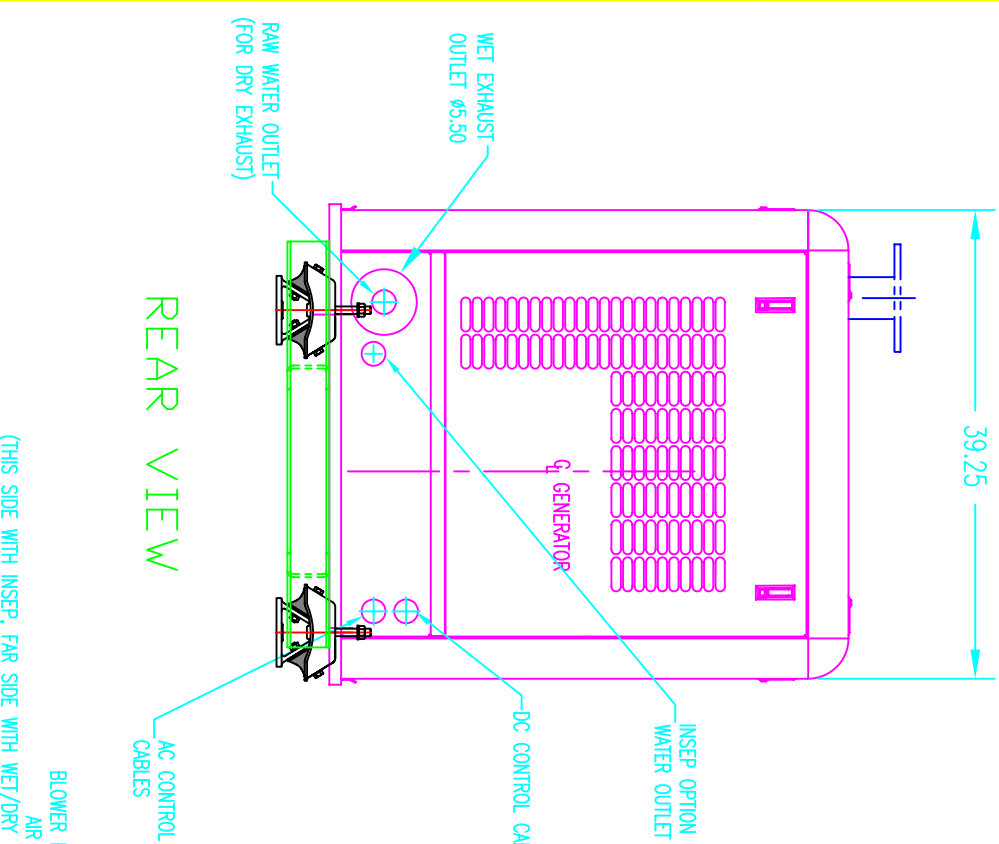


SOUND SHIELD APPLICATION				
MODEL	KW	PHASE	RPM	HZ
M1065T/363	99	3ø	1800	60
M1065T/363	80	3ø	1500	50

- NOTES:
- APPROX WEIGHT: (SHIELD ONLY, FULLY INSULATED)
STD BASE AND STD FOAM:
601 lbs. [273 kg.]

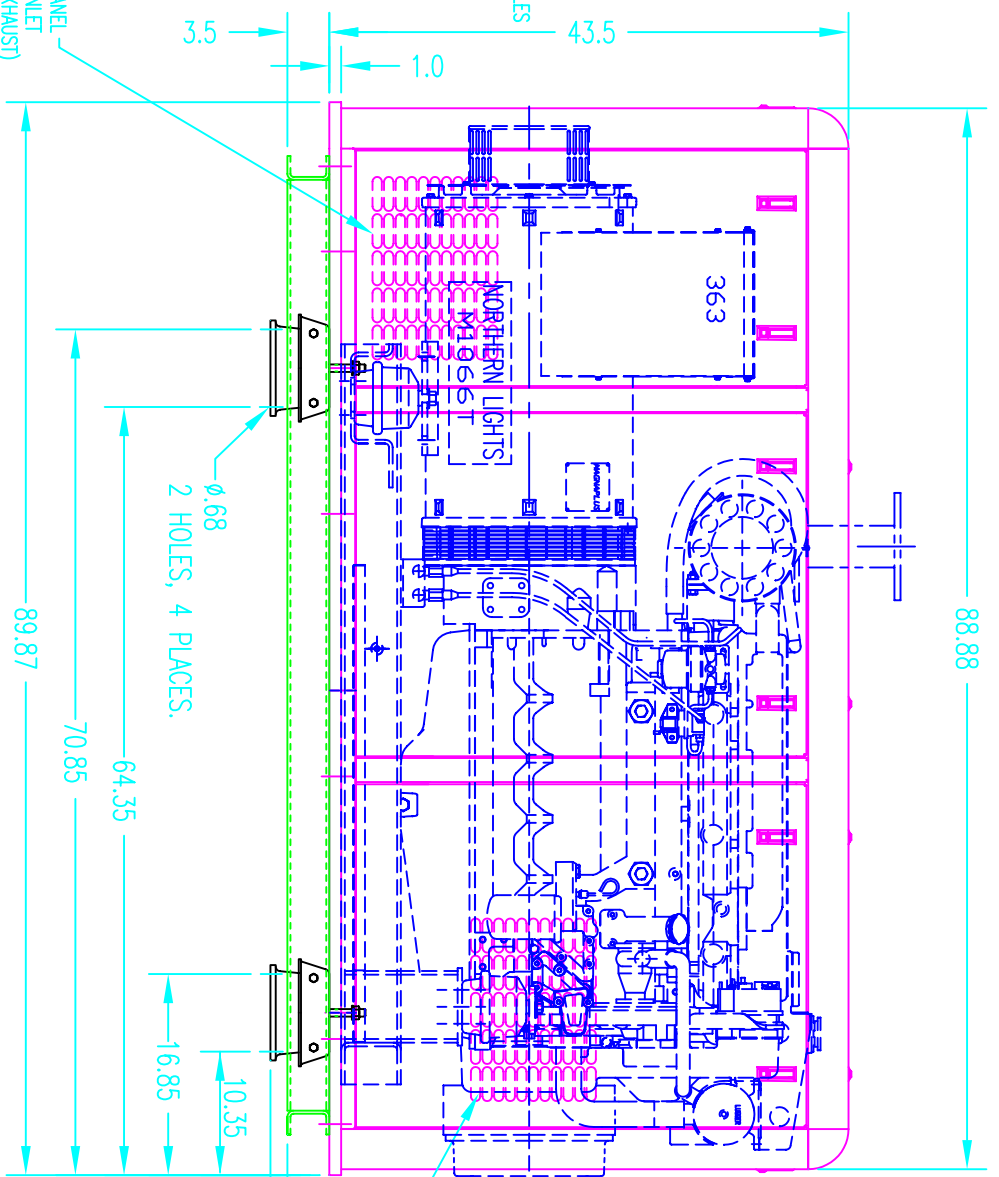


PLAN VIEW

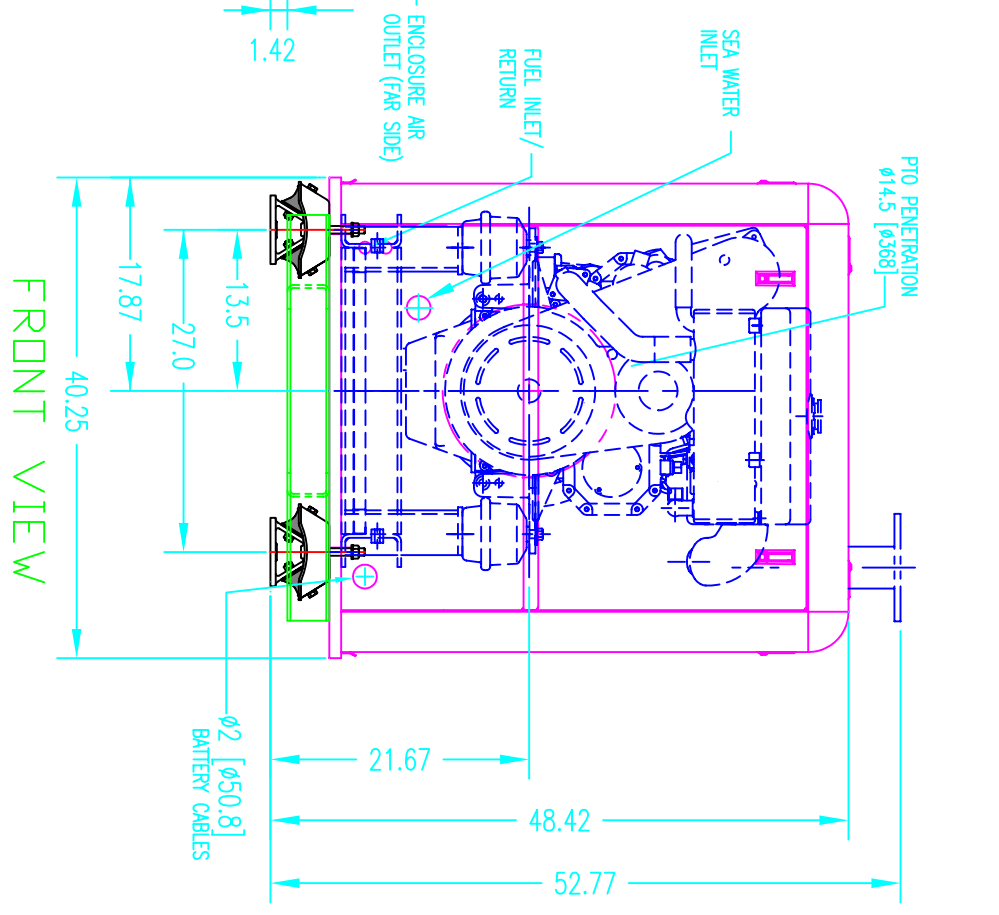


REAR VIEW

(THIS SIDE WITH INSEP, FAR SIDE WITH WET/DRY EXHAUST)



RH (SERVICE) SIDE ELEVATION



FRONT VIEW

NO.	DATE	DESCRIPTION	BY	CHKD

THOMPSONS VALVES
 DIVISION SERVICES
 4420 14th AVE. N.W.
 SEATTLE, WA 98107 (206) 789-3880



NORTHERN LIGHTS
 4420 14th AVE. N.W.
 SEATTLE, WA 98107 (206) 789-3880

REVISIONS
 NO. 010 12/21/08
 DATE 12/21/08
 BY [Signature]
 CHECKED [Signature]
 APPROVED [Signature]
 INSTANT DIMENSIONS
 REFER TO SOUN SHIELD APPLICATION DRAWING
 D-4341