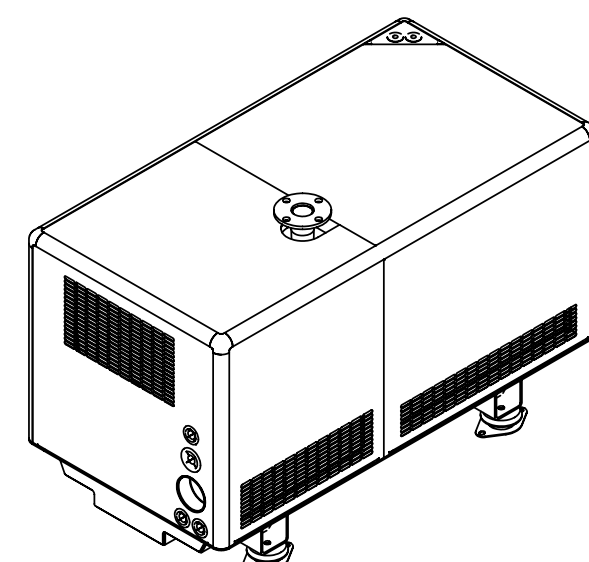
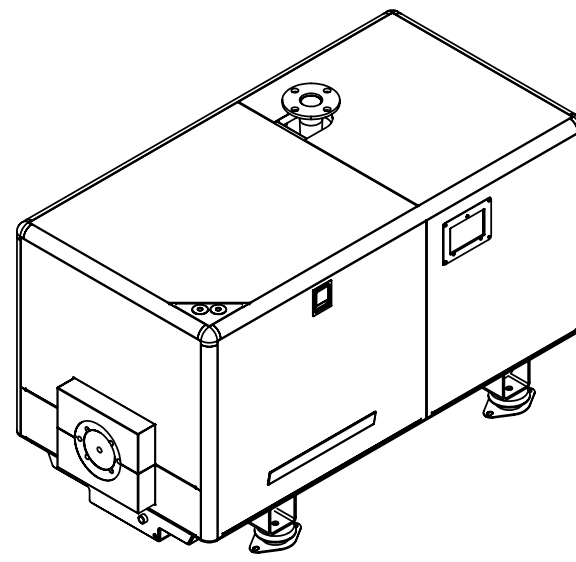
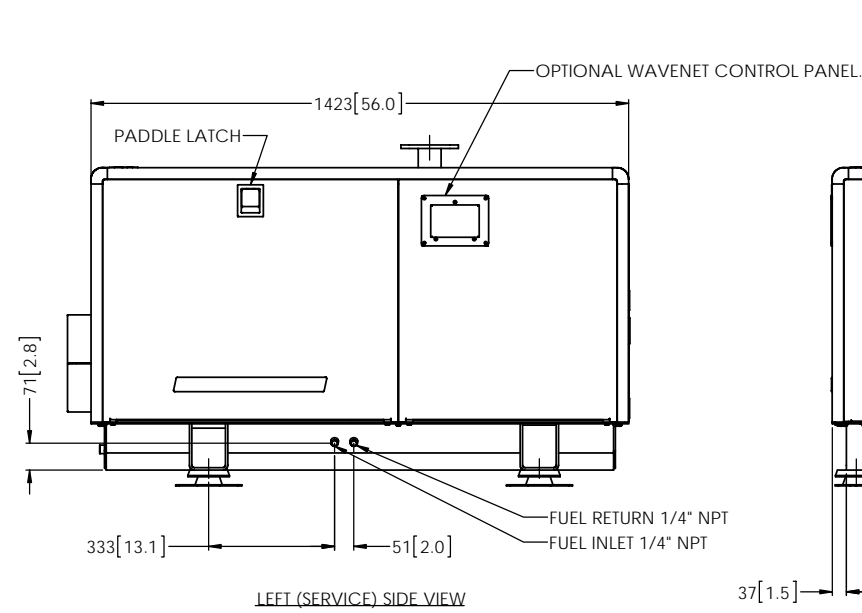


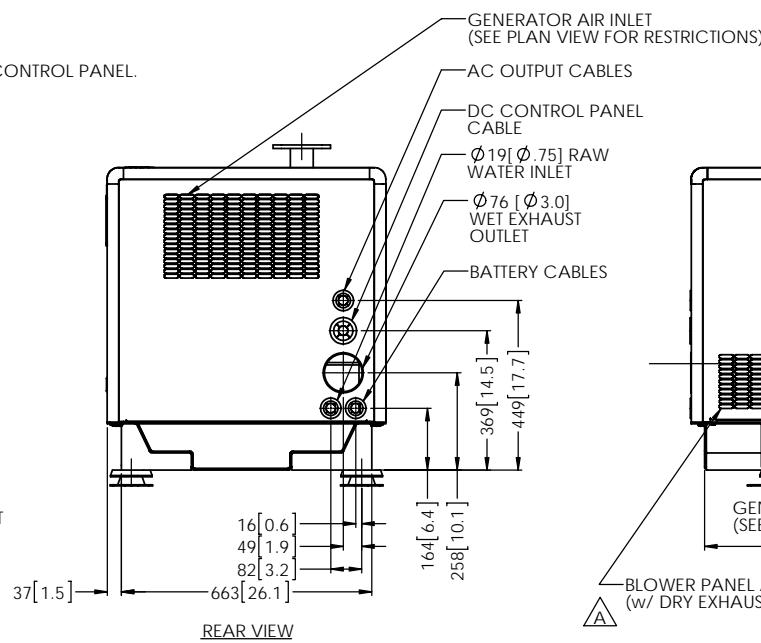
PLAN VIEW



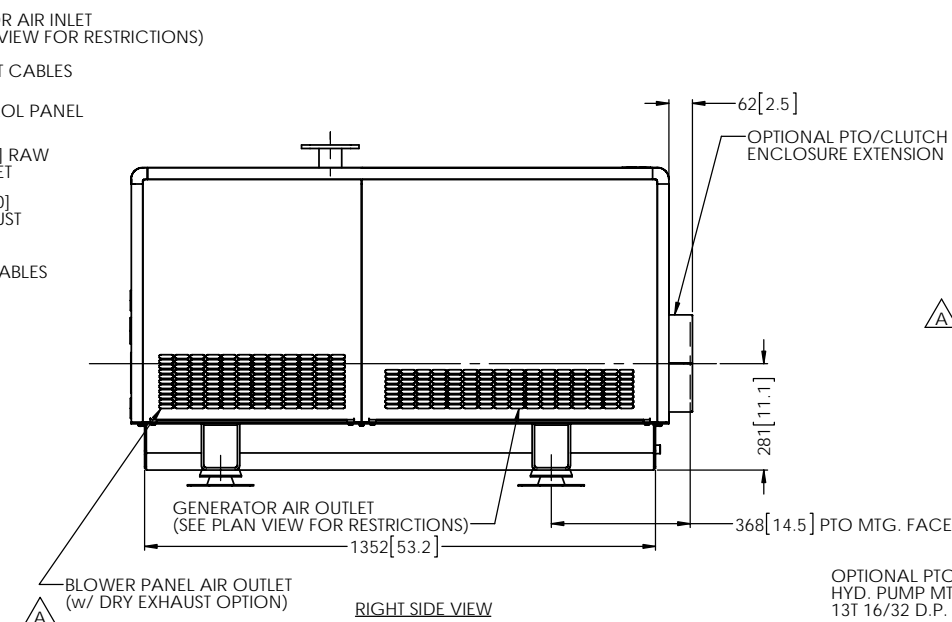
2" DRY EXHAUST FLANGE,  
Ø152 [Ø6.0] OD  
Ø19[0.7] 4 HOLES EQ. SP.  
ON Ø121 [Ø4.75] B.C.



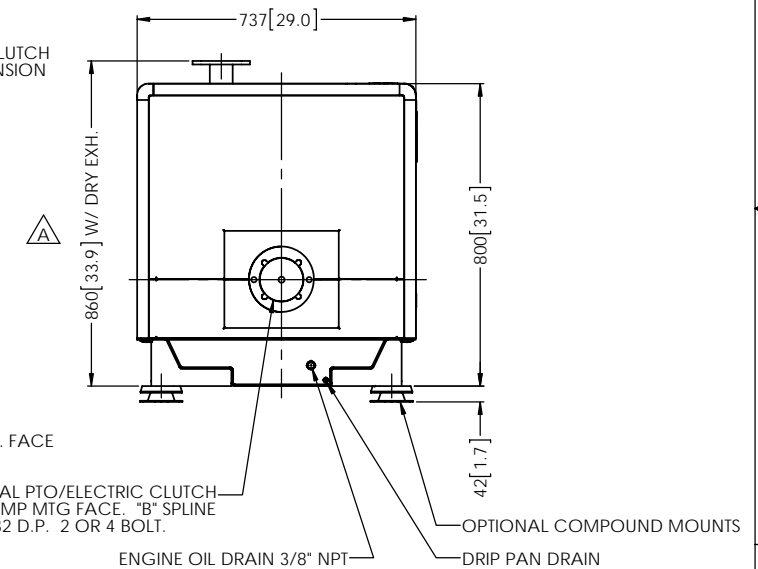
LEFT (SERVICE) SIDE VIEW



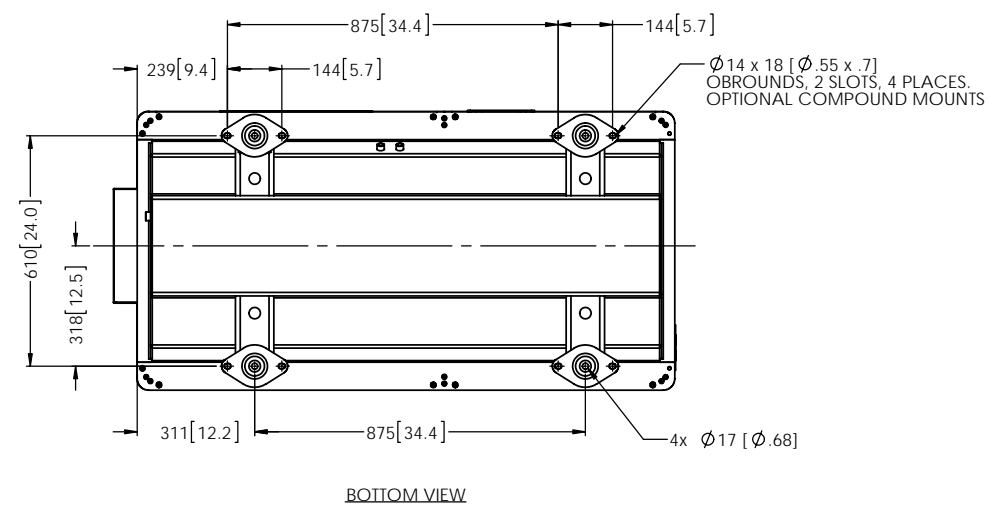
REAR VIEW



RIGHT SIDE VIEW



FRONT VIEW



BOTTOM VIEW

THE DIMENSIONS ON THIS DRAWING ARE SUBJECT TO CHANGE PLEASE CONTACT NORTHERN LIGHTS INC TO BE SURE YOU HAVE THE MOST CURRENT REVISION.

WEIGHTS: PENDING

REV.	DESCRIPTION	DATE	BY	CHECKED
A	UPDATED INSTALLATION DWG TO SHOW DRY EXHAUST OPTION. FILED UNDER ECN#1836	08/01/11	LTP	MG 8/01/2011

REVISIONS

UNLESS OTHERWISE SPECIFIED:	NAME	DATE	NORTHERN LIGHTS 1420 14th AVE. N.W. Seattle, WA 98107 (206) 789-3880 www.northern-lights.com
DIMENSIONS ARE IN MILLIMETERS	DRAWN	LTP	
TOLERANCES	CHECKED		
ANGULAR - MATCH 0.1°	ENG APPR		
TWO PLACE DECIMAL ±0.2	MFG APPR		
THREE PLACE DECIMAL ±0.13	Q.A.		
INTERPRET GEOMETRIC TOLERANCING PER ASME Y14.5M	COMMENTS		
MATERIAL			
	NEXT ASSY	USED ON	FINISH
	APPLICATION		

TITLE:  
INSTALLATION DIMENSIONS  
M944W3 SOUND SHIELD

SIZE DWG. NO. REV  
D D-4526 A  
SCALE: 1:10 WEIGHT: SHEET 1 OF 1

D-4526