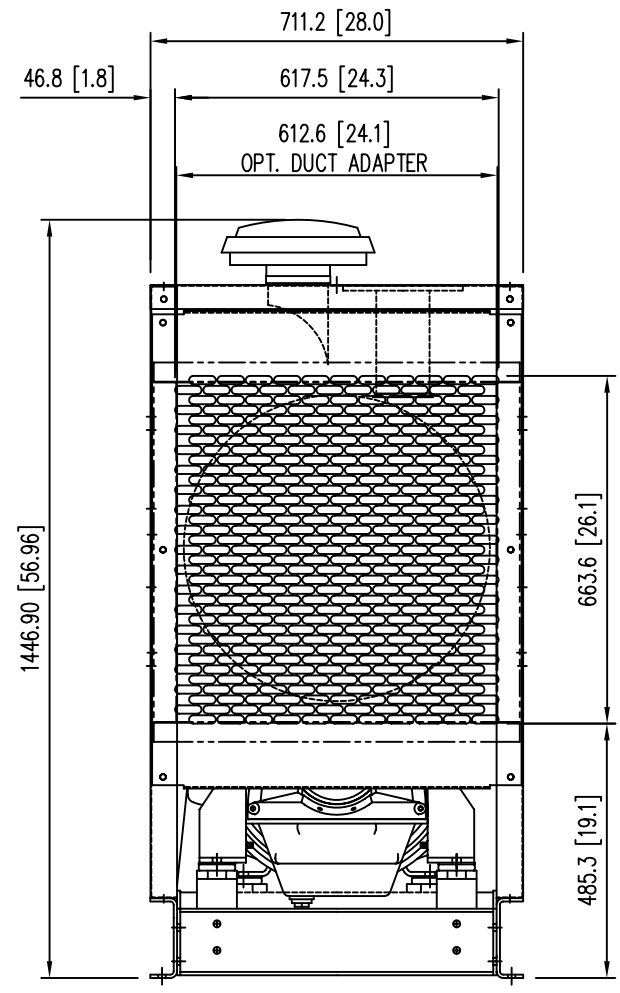
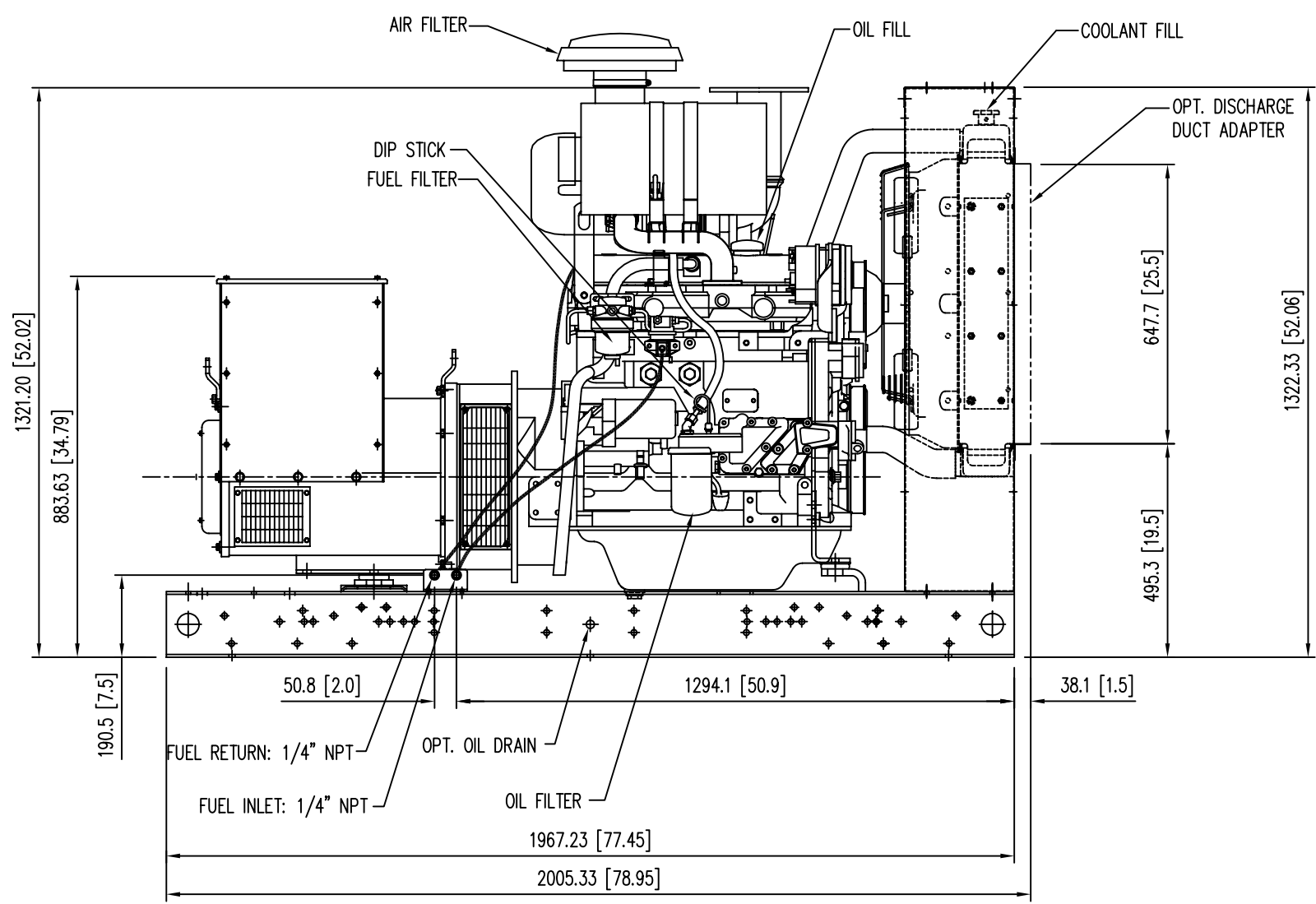
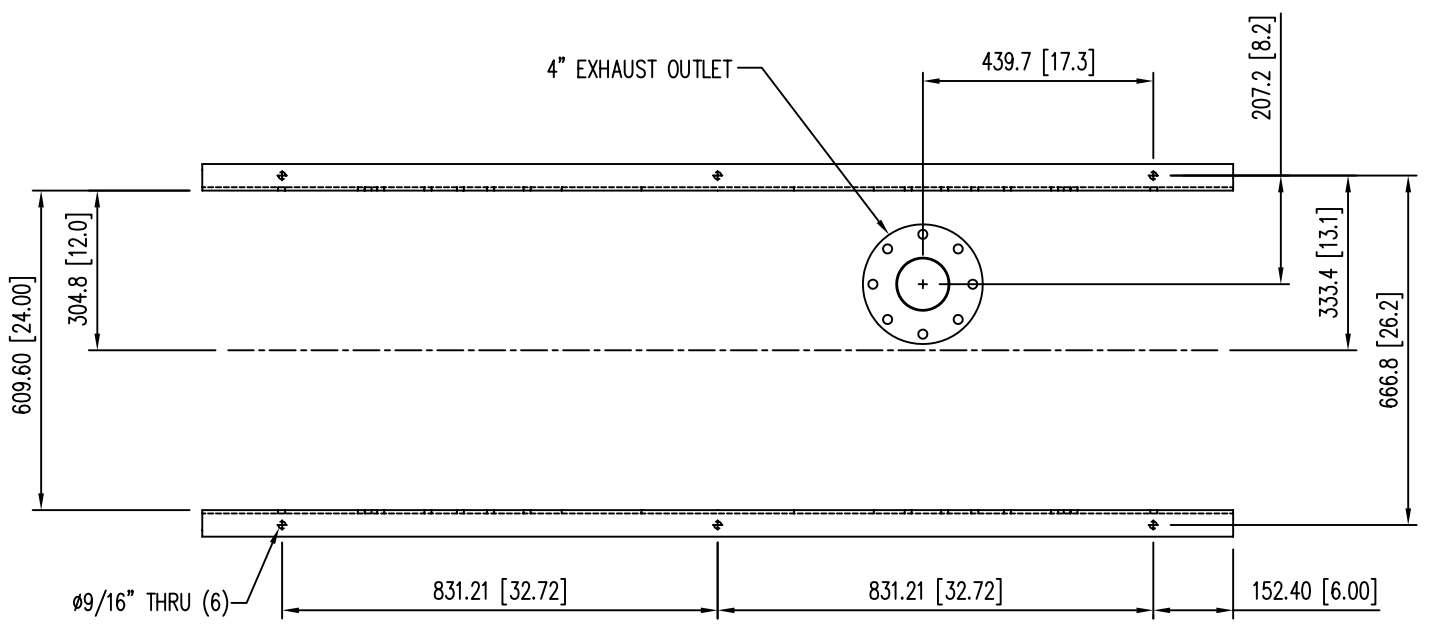


NL1064T1 55KW 60 HZ 1800 RPM 3 PHASE 837 kG [1847 lbs.]
NL1064T1 55KW 60 HZ 1800 RPM 1 PHASE 888 kG [1958 lbs.]
NL1064T2 66KW 60 HZ 1800 RPM 3 PHASE 888 kG [1958 lbs.]
NL1064T2 66KW 60 HZ 1800 RPM 1 PHASE 888 kG [1958 lbs.]
NL1064T2 50KW 50 HZ 1500 RPM 3 PHASE 888 kG [1958 lbs.]
NL1064T23 50KW 60 HZ 1800 RPM 1 PHASE 888 kG [1958 lbs.]
NL1064T23 50KW 60 HZ 1800 RPM 3 PHASE 888 kG [1958 lbs.]



THE DIMENSIONS ON THIS DRAWING ARE SUBJECT TO CHANGE. PLEASE CONTACT NORTHERN LIGHTS TO BE SURE YOU HAVE THE MOST CURRENT REVISION.



TOLERANCES UNLESS OTHERWISE SPECIFIED		<p>4420 14th Avenue N.W. Seattle, WA 98107 (206) 789-3880 www.northern-lights.com</p>																									
.XX:	±																										
.XXX:	±	<table border="1"> <tr><th colspan="4">REVISIONS</th></tr> <tr><th>SYMBOL</th><th>DATE</th><th>DESCRIPTION</th><th>BY</th><th>CHECKED</th></tr> <tr><td> </td><td> </td><td> </td><td> </td><td> </td></tr> </table>		REVISIONS				SYMBOL	DATE	DESCRIPTION	BY	CHECKED															
REVISIONS																											
SYMBOL	DATE	DESCRIPTION	BY	CHECKED																							
ANGULAR:	±	<table border="1"> <tr><td>CAD</td><td>LTP</td><td>1/20/07</td><td>TITLE:</td></tr> <tr><td>REVISE ON CAD ONLY</td><td>CHECKED:</td><td></td><td>INSTALLATION DIMENSIONS</td></tr> <tr><td>THIRD ANGLE PROJECTION</td><td>SCALE: 1:10</td><td></td><td>NL1064T1/UCI224F16/UCI224G16, NL1064T2/UCI224G16</td></tr> <tr><td></td><td>RELEASED:</td><td></td><td>NL1064T23/UCI224E16</td></tr> <tr><td></td><td>SHEETS: 1 OF 1</td><td>P/N:</td><td>DWG. NO. C-6228</td></tr> <tr><td></td><td>UNITS OF MEASURE: MM/NCH</td><td></td><td>REV.:</td></tr> </table>		CAD	LTP	1/20/07	TITLE:	REVISE ON CAD ONLY	CHECKED:		INSTALLATION DIMENSIONS	THIRD ANGLE PROJECTION	SCALE: 1:10		NL1064T1/UCI224F16/UCI224G16, NL1064T2/UCI224G16		RELEASED:		NL1064T23/UCI224E16		SHEETS: 1 OF 1	P/N:	DWG. NO. C-6228		UNITS OF MEASURE: MM/NCH		REV.:
CAD	LTP	1/20/07	TITLE:																								
REVISE ON CAD ONLY	CHECKED:		INSTALLATION DIMENSIONS																								
THIRD ANGLE PROJECTION	SCALE: 1:10		NL1064T1/UCI224F16/UCI224G16, NL1064T2/UCI224G16																								
	RELEASED:		NL1064T23/UCI224E16																								
	SHEETS: 1 OF 1	P/N:	DWG. NO. C-6228																								
	UNITS OF MEASURE: MM/NCH		REV.:																								