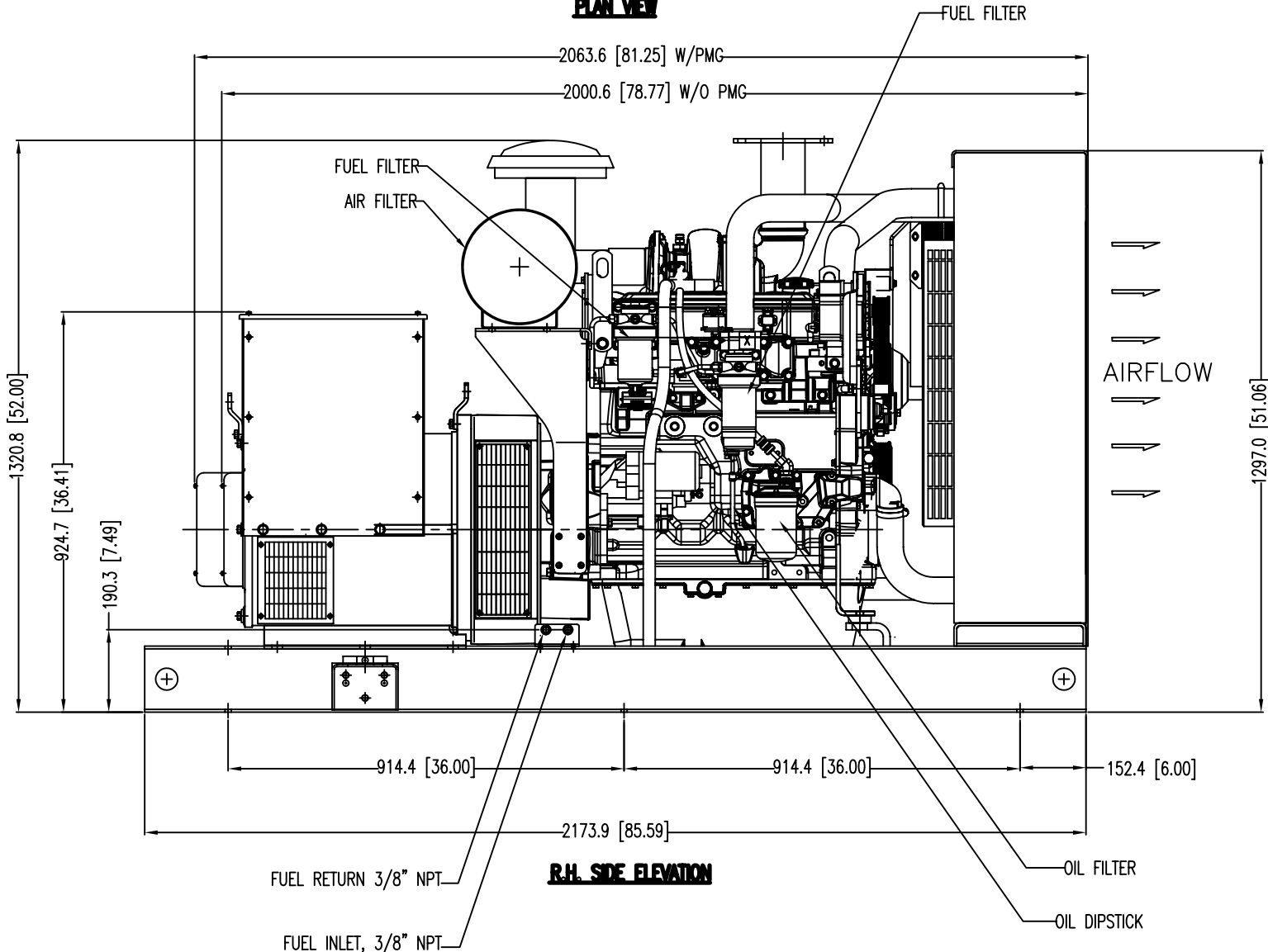
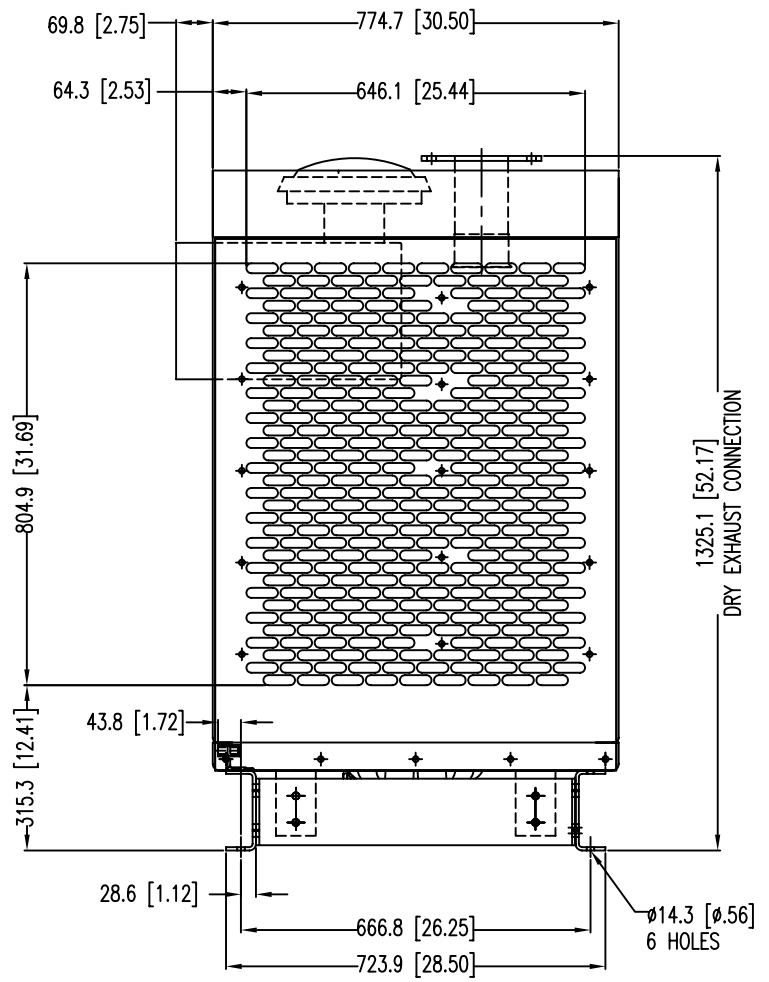


PLAN VIEW

MODEL	APPROX WEIGHT
NL1064H33 90kW 1800 RPM 3 ϕ 60 HZ.	1315 kg. [2900 lb.]
NL1064H23 75kW 1800 RPM 3 ϕ 60 HZ.	1291 kg. [2846 lb.]



R.H. SIDE ELEVATION



FRONT VIEW

THE DIMENSIONS ON THIS DRAWING ARE SUBJECT TO CHANGE. PLEASE CONTACT NORTHERN LIGHTS TO BE SURE YOU HAVE THE MOST CURRENT REVISION.

SYMBOL	DATE	DESCRIPTION	BY	CHECKED
REVISIONS				
		NORTHERN LIGHTS		
		4420 14th Avenue N.W. Seattle, WA 98107 (206) 789-3880 www.northern-lights.com		
TOLERANCES UNLESS OTHERWISE SPECIFIED		DRAWN: LTP 7/28/09		
.XX: \pm		CHECKED:		
.XXX: \pm		SCALE: 1:10		
ANGULAR: \pm		RELEASED:		
THIRD ANGLE PROJECTION		SHEETS: 1 OF		
UNITS OF MEASURE: MM(N)		P/N:		
		DWG. NO.: C-6700		
		REV.:		

