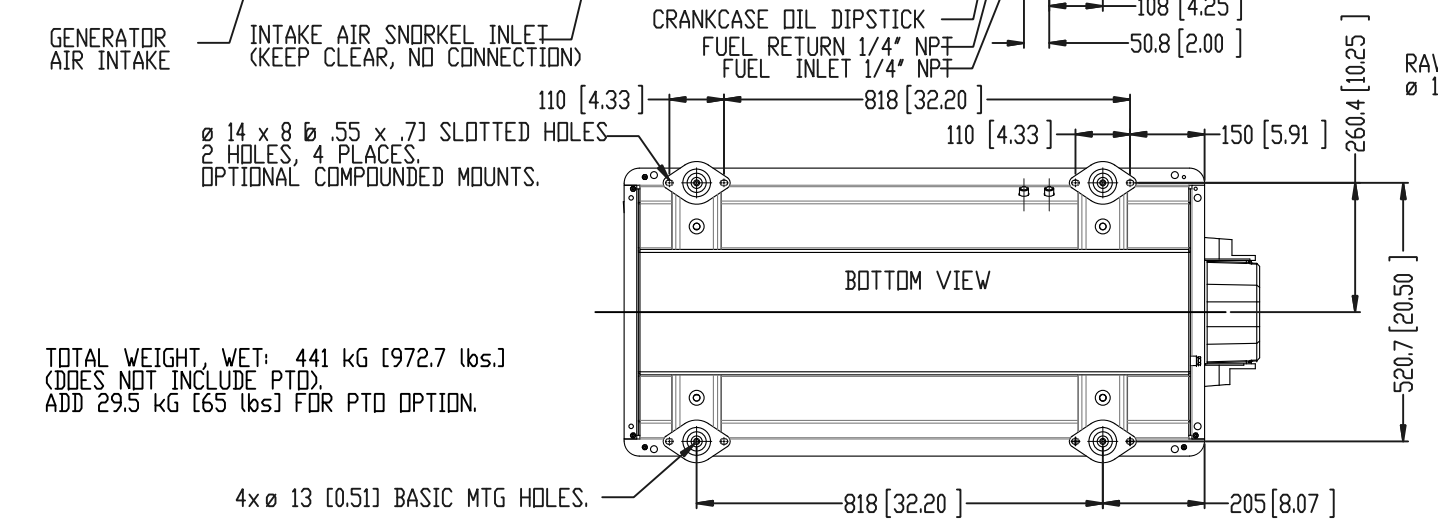
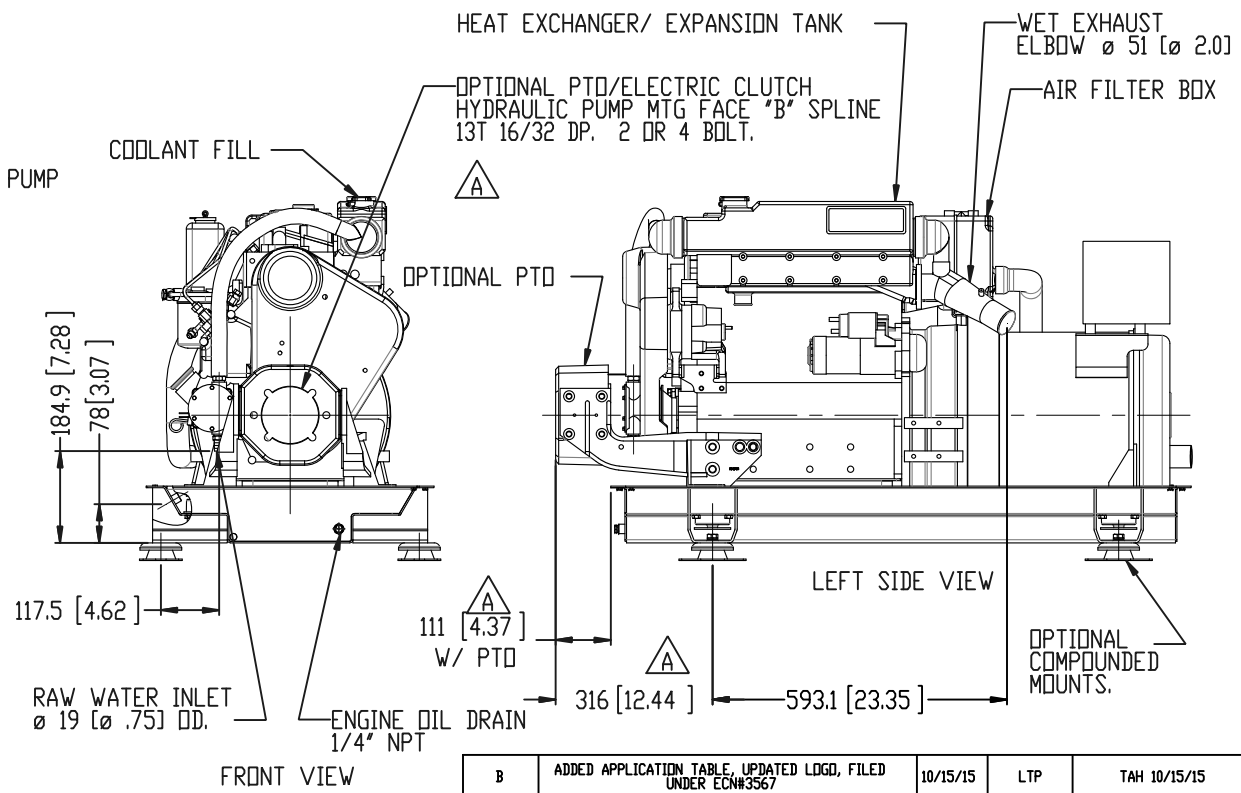
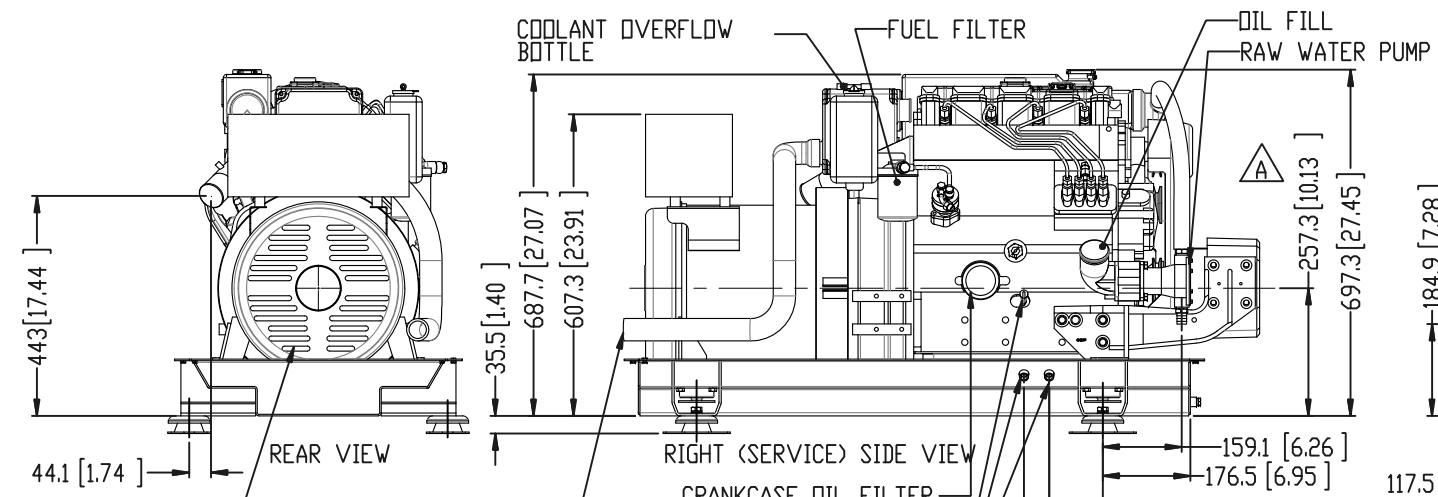
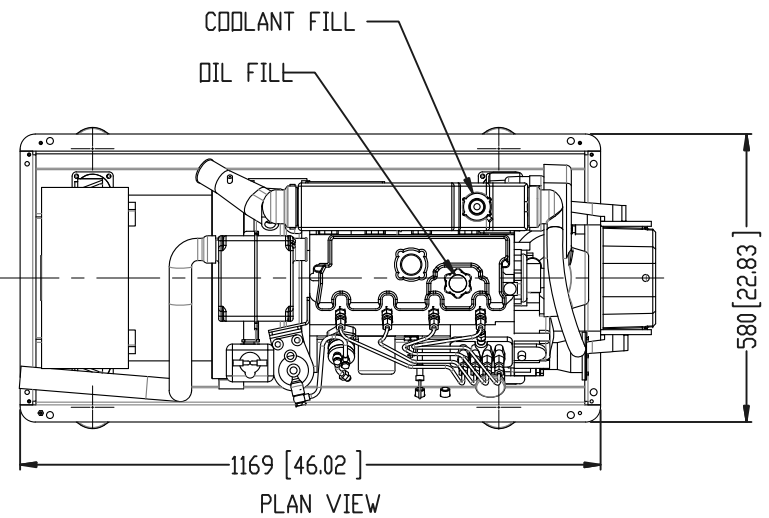
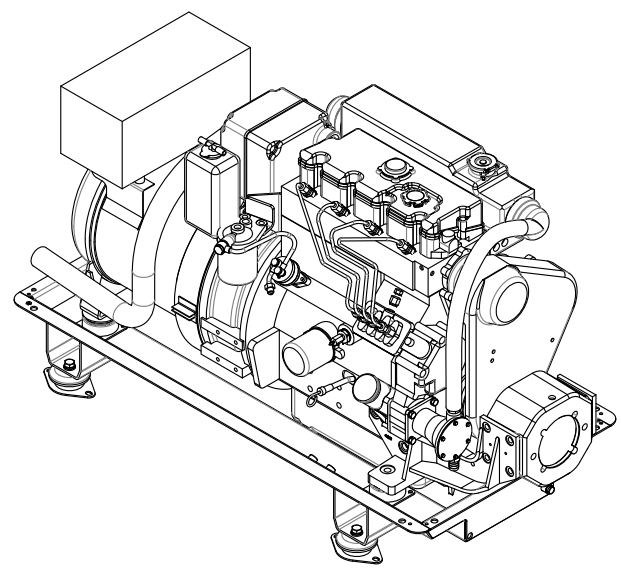
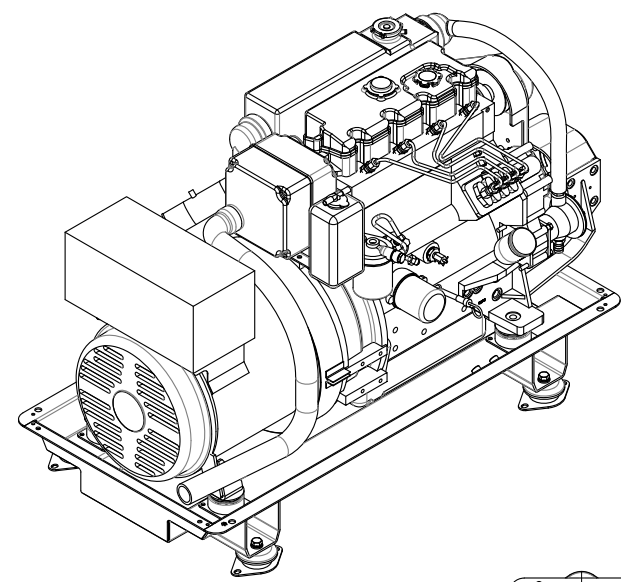


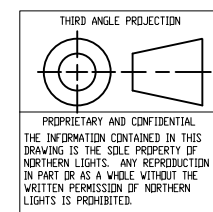
THE DIMENSIONS ON THIS DRAWING ARE SUBJECT TO CHANGE. PLEASE CONTACT NORTHERN LIGHTS INC TO BE SURE THAT YOU HAVE THE MOST CURRENT REVISION.

GENERATOR APPLICATION TABLE	
M844LW3	20 kW 1800 RPM 3 PHASE 60 HZ
M8443W3	20kW 1800 RPM 1 PHASE 60 HZ
M844LW3	16kW 1500 RPM 3 PHASE 50 HZ
M844LW3	16 kW 1500 RPM 1 PHASE 50 HZ
M844DW3	16kW 1800 RPM 3 PHASE 60 HZ
M844DW3	16kW 1800 RPM 1 PHASE 60 HZ
M844DW3	14kW 1500 RPM 3 PHASE 50 HZ
M844DW3	14kW 1500 RPM 1 PHASE 50 HZ



TOTAL WEIGHT, WET: 441 kg [972.7 lbs.]
(DOES NOT INCLUDE PTD).
ADD 29.5 kg [65 lbs] FOR PTD OPTION.

REVISIONS				
REV.	DESCRIPTION	DATE	BY	CHECKED
B	ADDED APPLICATION TABLE, UPDATED LOGO, FILED UNDER ECN#3567	10/15/15	LTP	TAH 10/15/15
A	ADDED PTD OPTION AND RELATED DIMENSIONS, ADDED WEIGHT FILED UNDER ECN#1844	08/16/11	LTP	TAH 8/15/2011



UNLESS OTHERWISE SPECIFIED:		NAME	DATE
DIMENSIONS ARE IN MILLIMETERS	ANGULAR:	LTP	4/12/11
TOLERANCES:	MACH ± 0.5° BEND ± 1.0°	CHECKED	
THREE PLACE DECIMAL ± 0.3	TWO PLACE DECIMAL ± 0.5	ENG APPR.	
		MFG APPR.	
		QA	
		COMMENTS:	

4420 14th AVE. N.W.
Seattle, WA 98107
(206) 789-3880
www.northern-lights.com

NORTHERN LIGHTS

TITLE:
**INSTALLATION DIMS
M844LW3 GENSET**

SIZE DWG. NO. REV
C C-6863 B

SCALE: 1:10 WEIGHT: SHEET 1 OF 1