

SOUND SHIELD APPLICATION

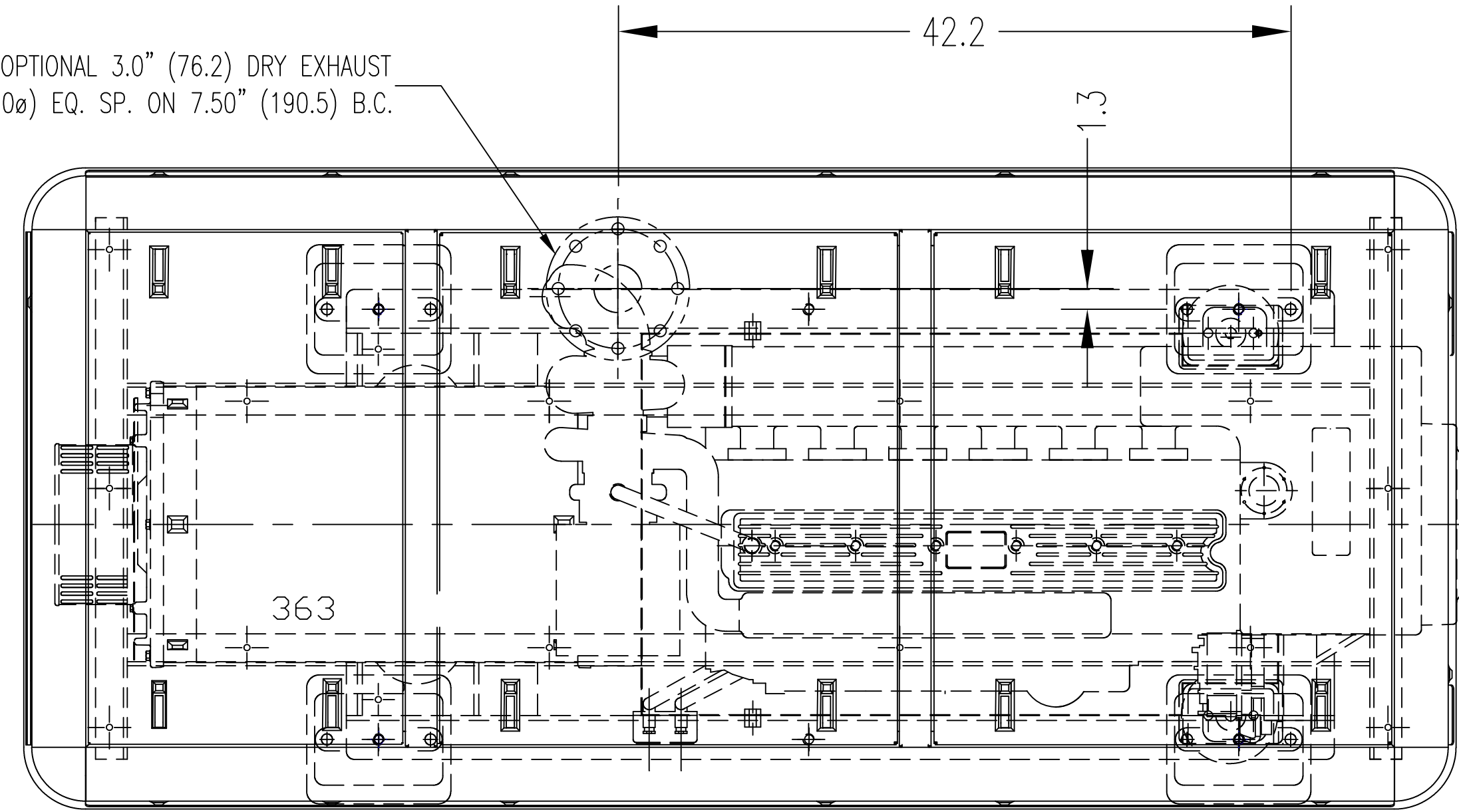
MODEL	KW	PHASE	RPM	Hz
M1066T/363	99	3Ø	1800	60
M1066T/363	80	3Ø	1500	50

NOTES:

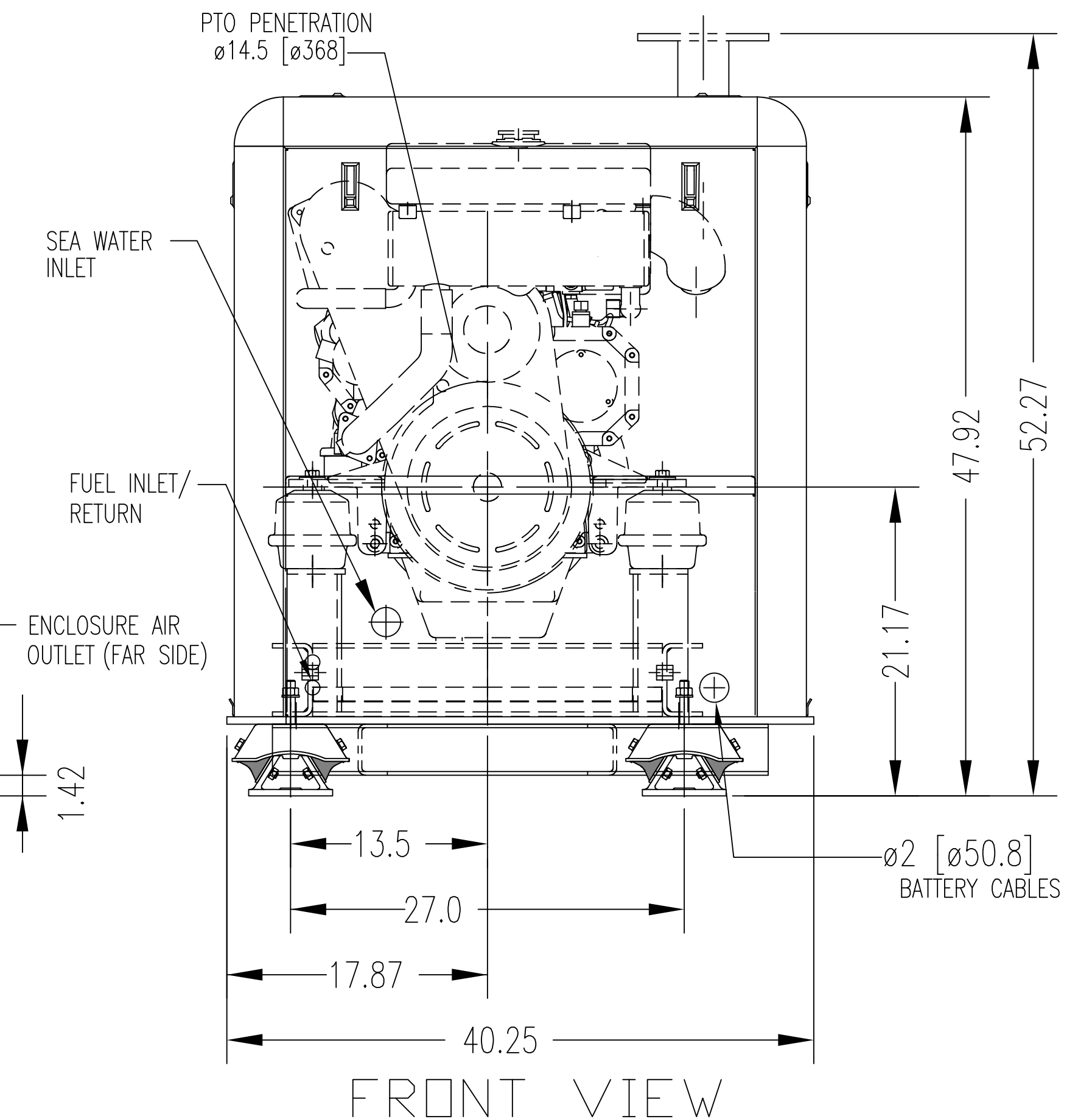
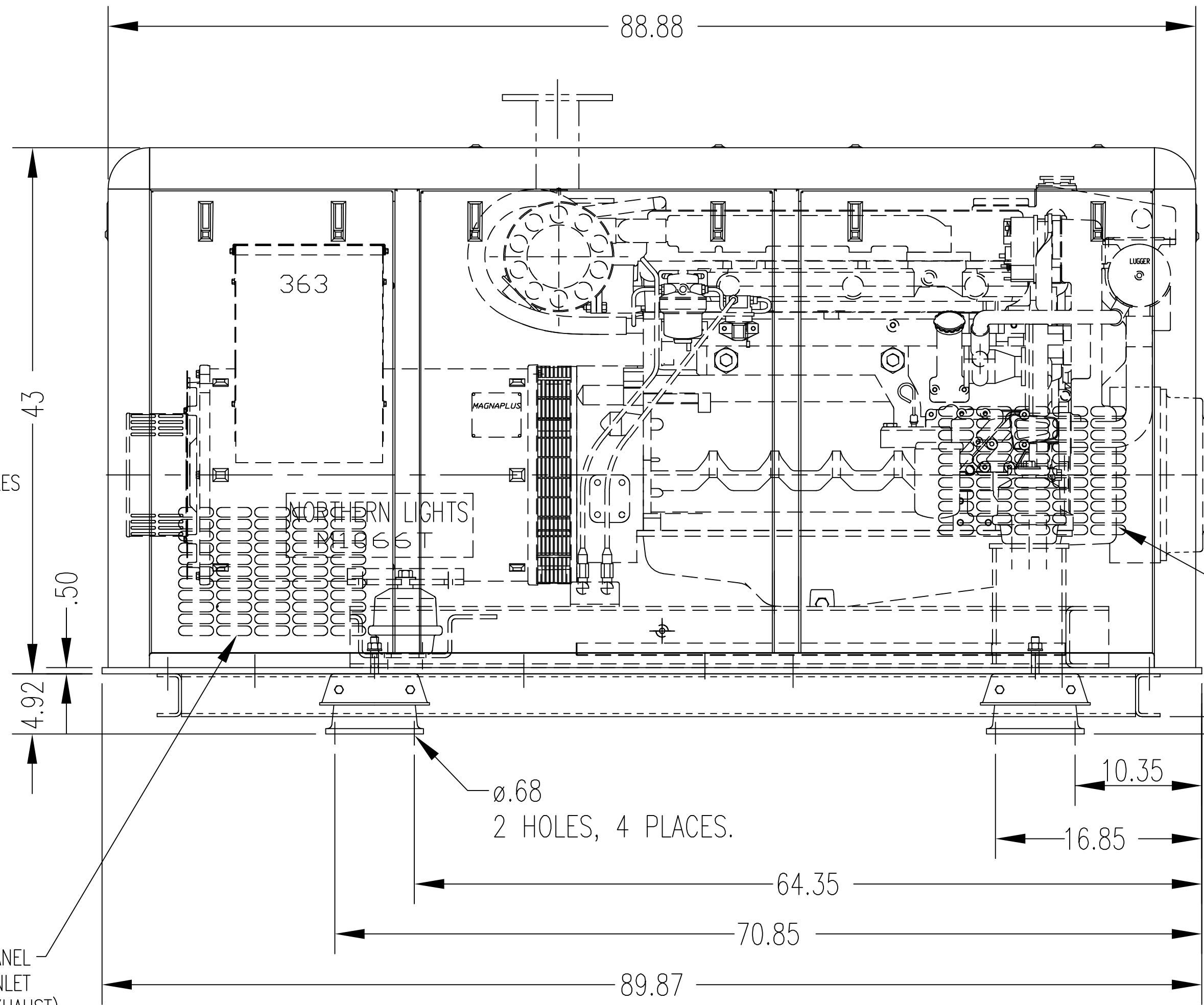
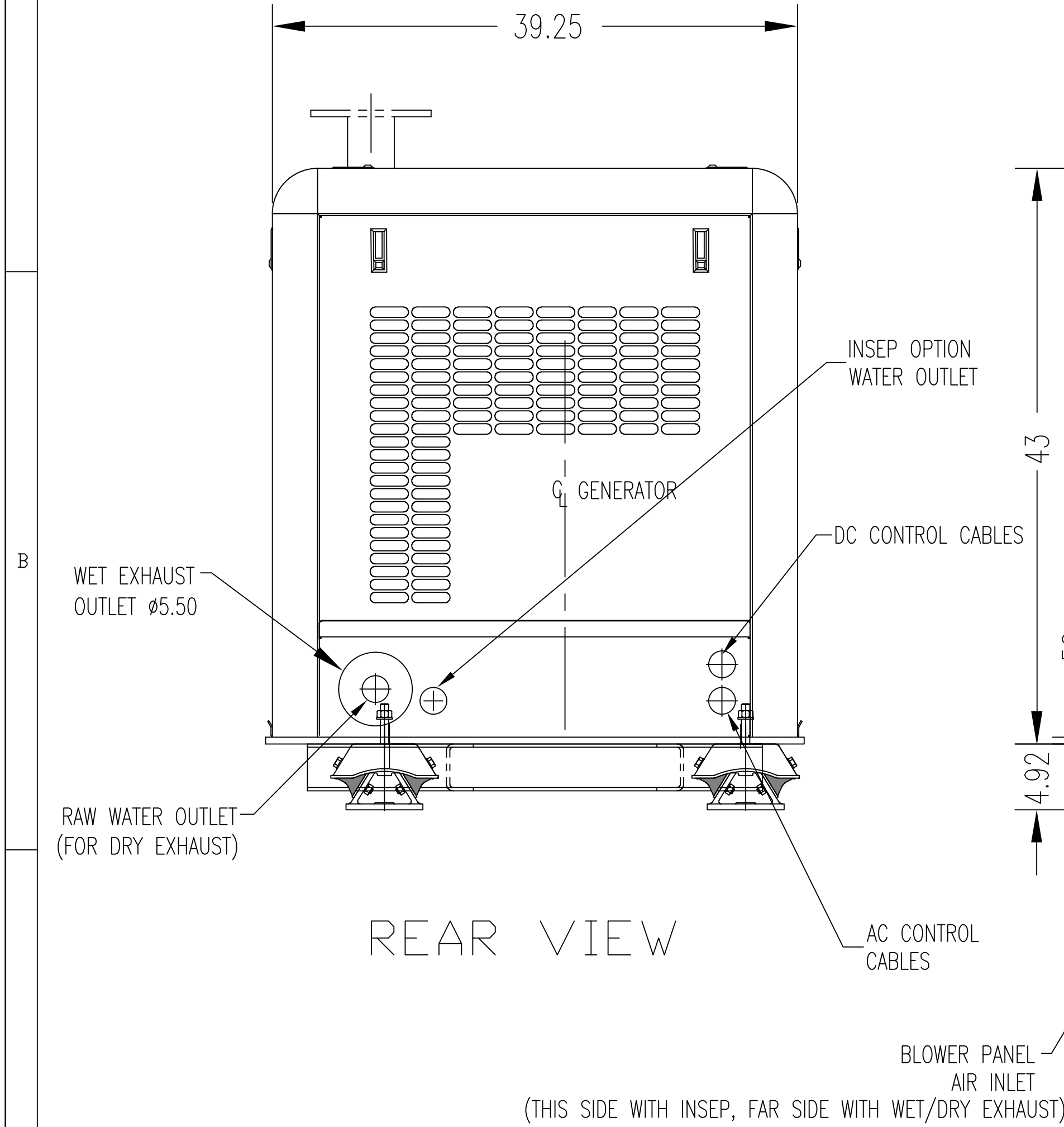
- 1) CLASSIFIED SOUND SHIELDS ARE ALWAYS EQUIPPED WITH ALUMINUM BASE PLATES.
- 2) ALUMINUM BASE PLATES ARE OPTIONAL ON NON CLASSIFIED SHIELDS.
- 3) APPROX WEIGHT AS FOLLOWS: (SHIELD ONLY, FULLY INSULATED).

OPT. ALUM BASE PLATE, STD FOAM:
710 lbs. [322 kg]
CLASSIFIED SHIELD:
646.4 lbs [293 kg]

OPTIONAL 3.0" (76.2) DRY EXHAUST
.63" Ø (16.0Ø) EQ. SP. ON 7.50" (190.5) B.C.



PLAN VIEW



SYMBOL	DATE	DESCRIPTION	BY	CHECKED
REVISIONS				
<p>TOLERANCES UNLESS OTHERWISE SPECIFIED: .XX: ± .XXX: ± ANGULAR: ±</p>				
<p>CAD REVISION ON CAD ONLY</p>		<p>DRAWN: LTP 12/21/08</p>	<p>TITLE: INSTALLATION DIMENSIONS</p>	
<p>THIRD ANGLE PROJECTION</p>		<p>CHECKED: RELEASED:</p>	<p>M1066T 3Ø SOUND SHIELD w/ALUM BASE PLATE & COMPOUND MOUNTS</p>	
<p>SHEETS: 1 OF 1 UNITS OF MEASURE: INCHES</p>		<p>P/N</p>	<p>DWG. NO.: D-4339</p>	<p>REV:</p>

