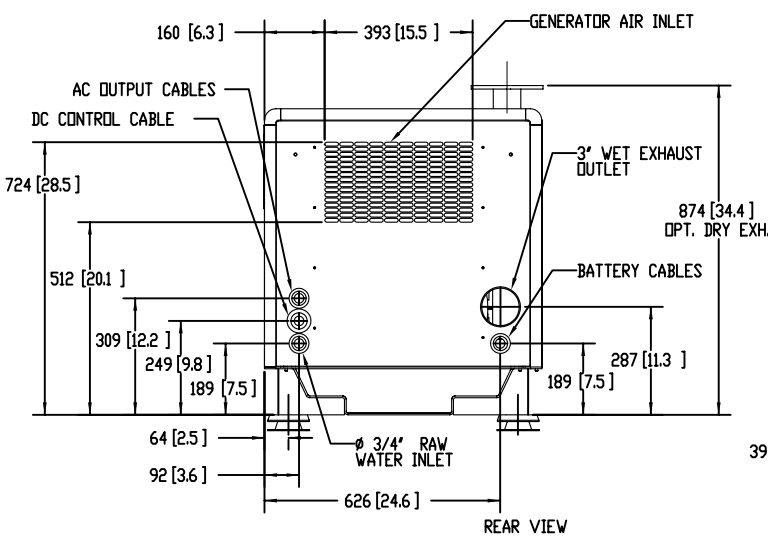
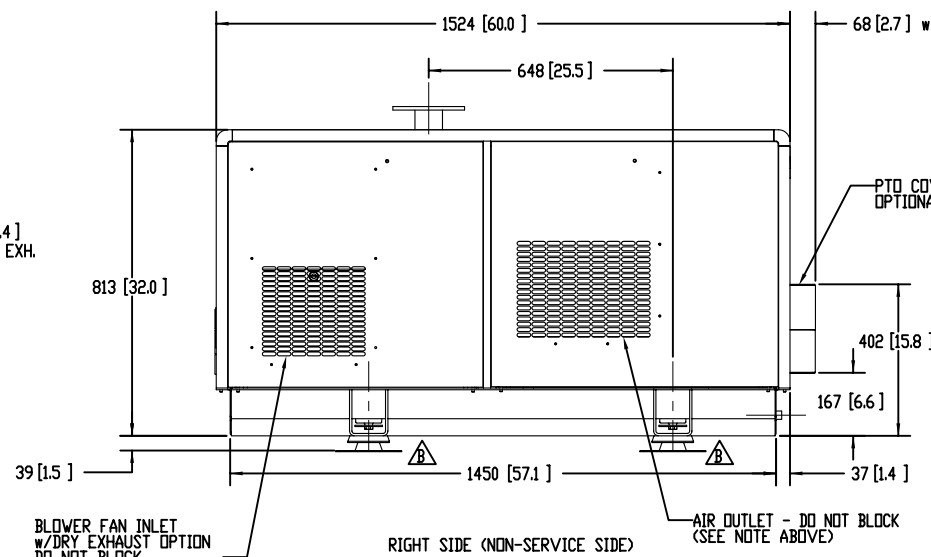


OPTIONAL 3.0" DRY EXHAUST ELBOW  
 Ø 19.1 [Ø .75] 4 HOLES EQUALLY SPACED  
 ON Ø 152.4 [Ø 6.0] BOLT CIRCLE

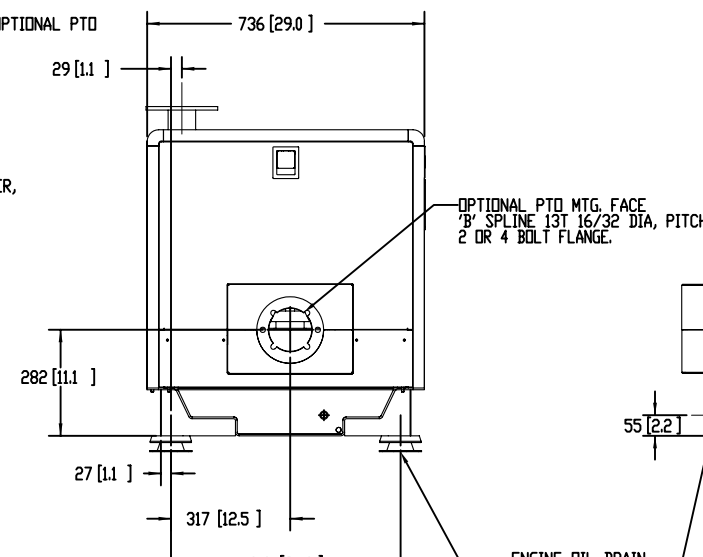
PLAN VIEW



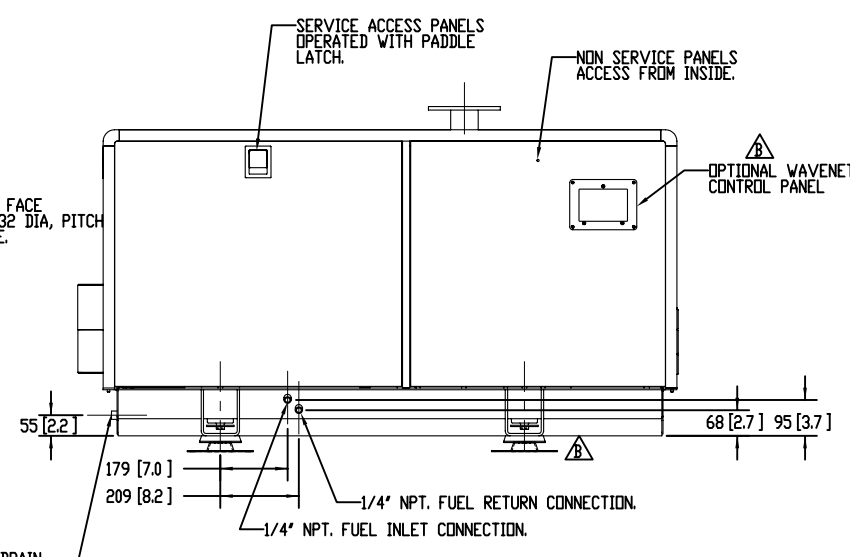
REAR VIEW



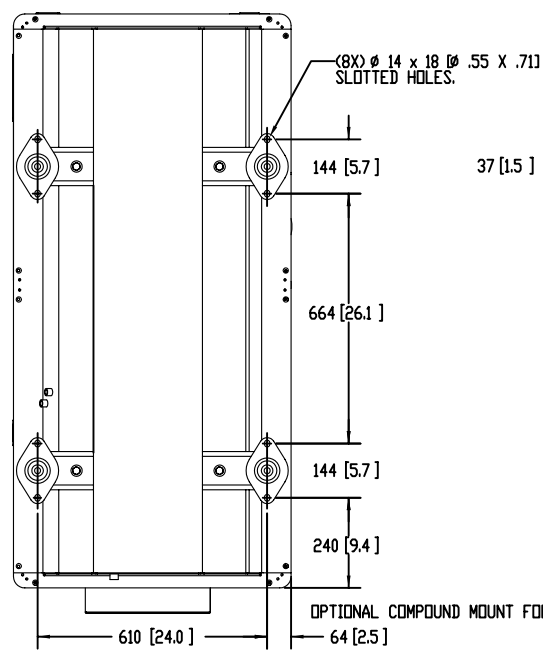
RIGHT SIDE (NON-SERVICE SIDE)



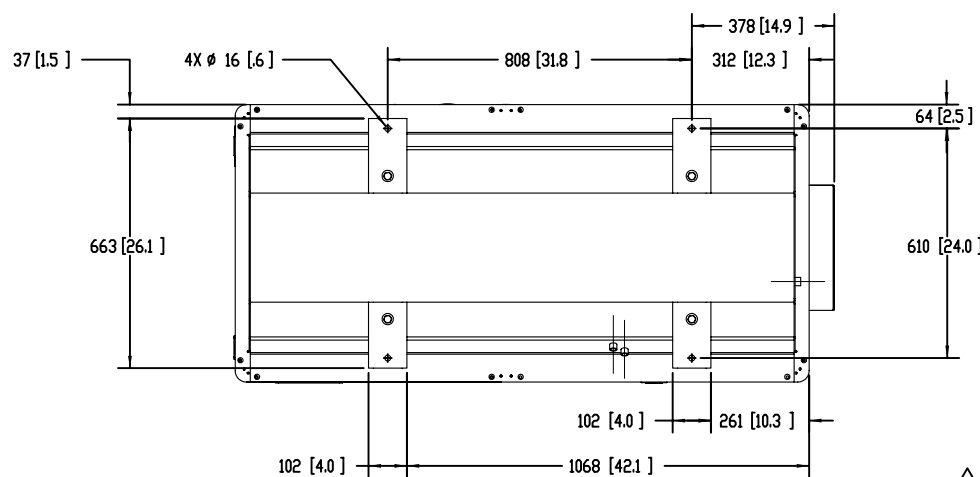
FRONT VIEW (SHOWN WITH PTO OPTION)



LEFT SIDE (SERVICE SIDE)



OPTIONAL COMPOUND MOUNT FOOTPRINT



BOTTOM VIEW

WEIGHTS: SOUND SHIELD WITH GENSET (DRY) 706 Kg (1557 lbs.)  
 SOUND SHIELD WITH PTO OPTION 748 Kg (1650 lbs.)  
 (DOES NOT INCLUDE HYDRAULIC PUMP, BY OTHERS)  
 SOUND SHIELD ONLY: 64 Kg (140 LBS.)

REV.	DESCRIPTION	DATE	APPROVED	CHECKED
D	ADDED WEIGHT DATA	12/21/10	LTP	MG 12/21/2010
C	REPLACED PREVIOUS ISOMETRIC VIEWS WITH SERVICE SIDE ISO. FILED UNDER EGM 1255	08/16/10	LTP	
B	ADDED OPTIONAL COMPOUND MOUNT AND RELATED DIMENSIONS, AND WAVENET PANEL.	08/13/10	LTP	
A	UPDATED DRAWING TO PRODUCTION SPECIFICATION	06/18/09	LTP	

UNLESS OTHERWISE SPECIFIED: DIMENSIONS ARE IN MILLIMETERS TOLERANCES: ANGULAR: MACH ± 0.5 BEND 1/2° TWO PLACE DECIMAL ± 0.2 THREE PLACE DECIMAL ± 0.13 INTERPRET GEOMETRIC TOLERANCING PER ASME Y14.5M FINISH: MATERIAL: DO NOT SCALE		NAME: LTP DATE: 2/16/09 CHECKED: TAH ENG. APPR.: MFG. APPR.: D.A. COMMENTS:	NORTHERN LIGHTS 4420 14th AVE. N.W. Seattle, WA 98107 (206) 789-3880 www.northern-lights.com
TITLE: INSTALLATION DRAWING 944T IN SOUND SHIELD		SIZE: D PART NO: 05-71220 SCALE: 1:10	DWG. NO: D-4348 REV: D WEIGHT: SEE NOTE. SHEET 1 OF 1

D-4348