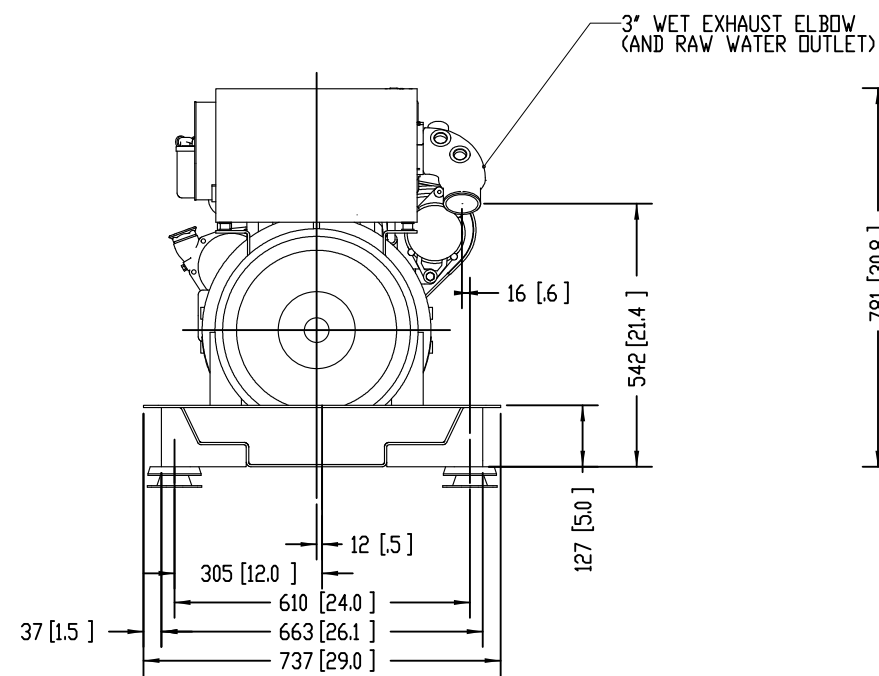
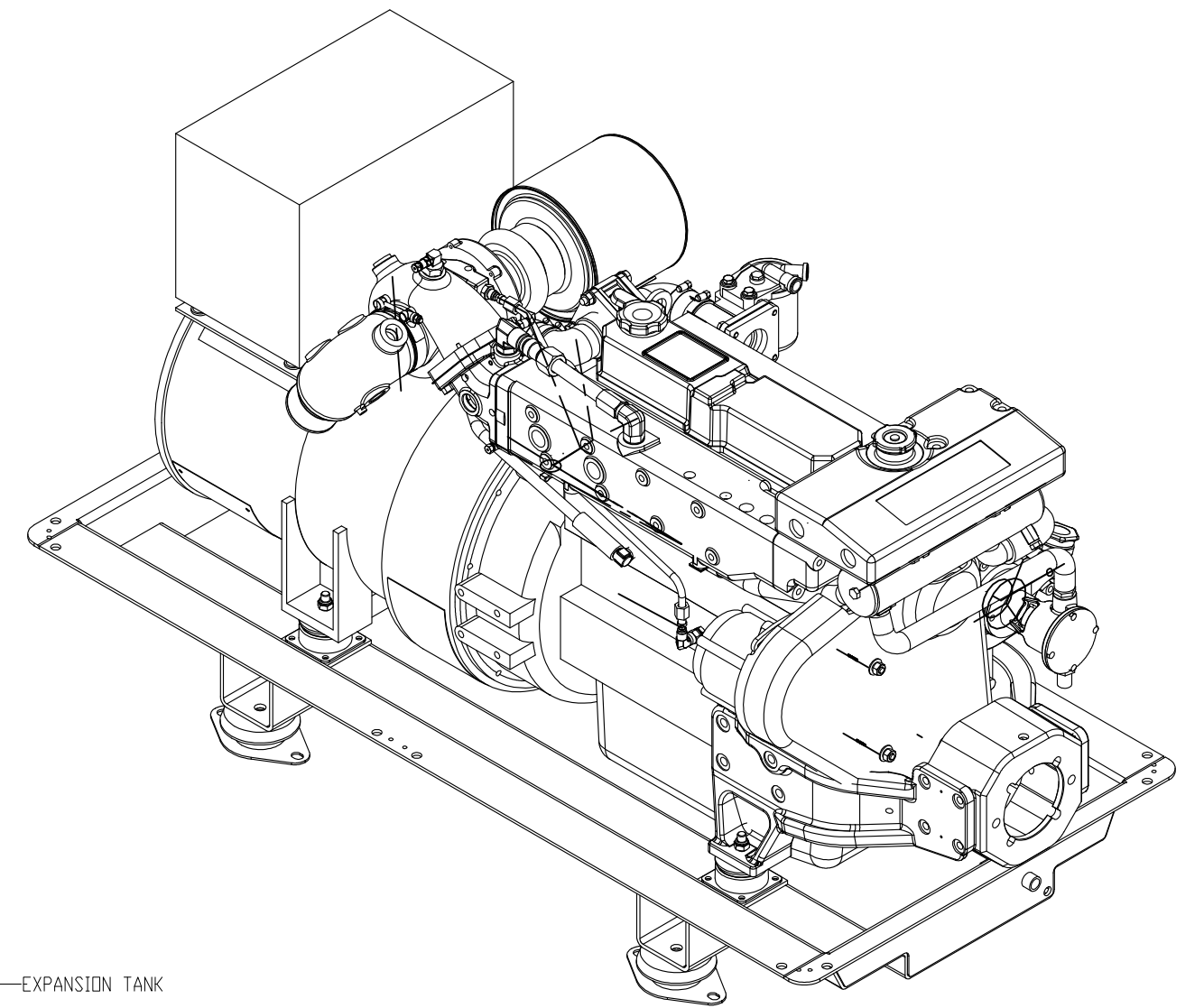
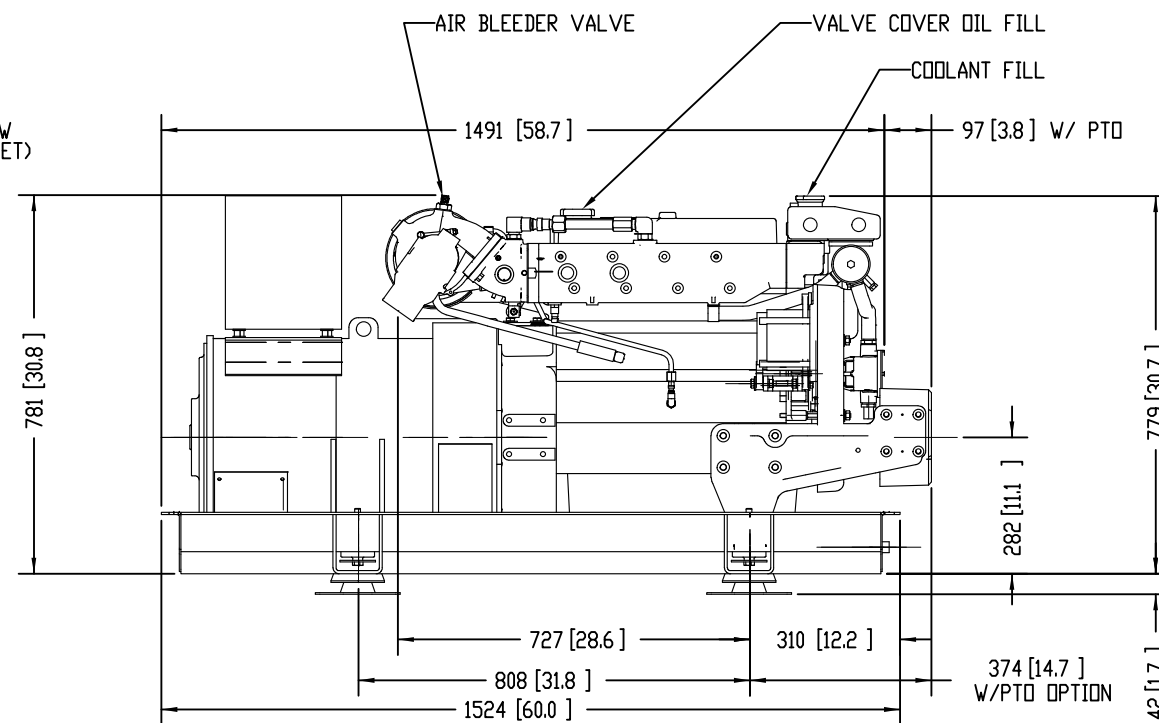


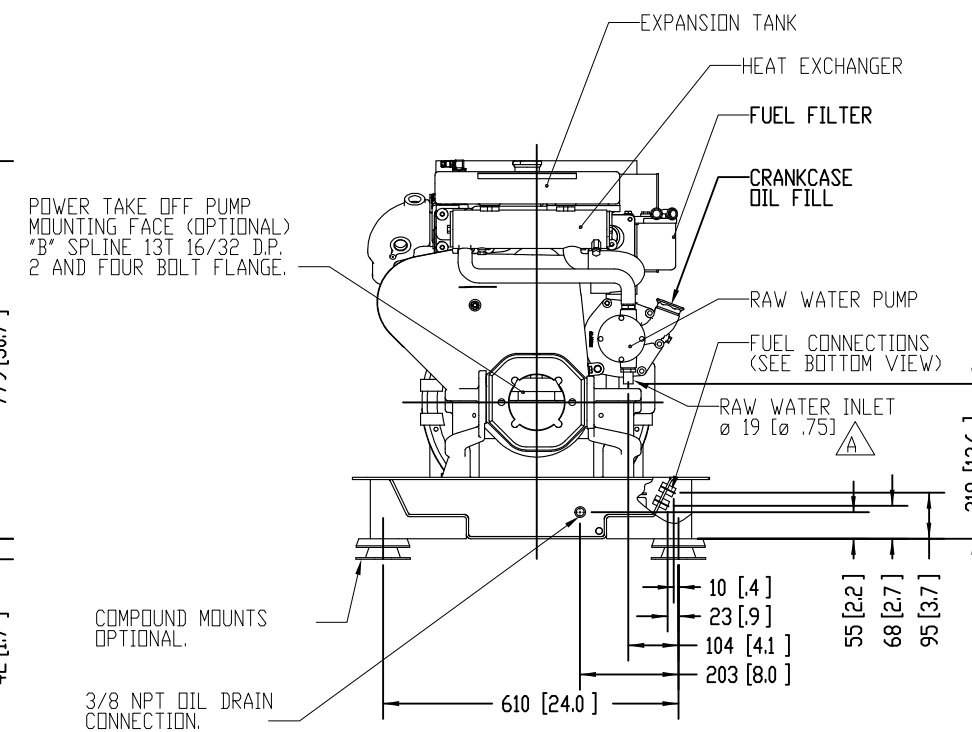
PLAN VIEW



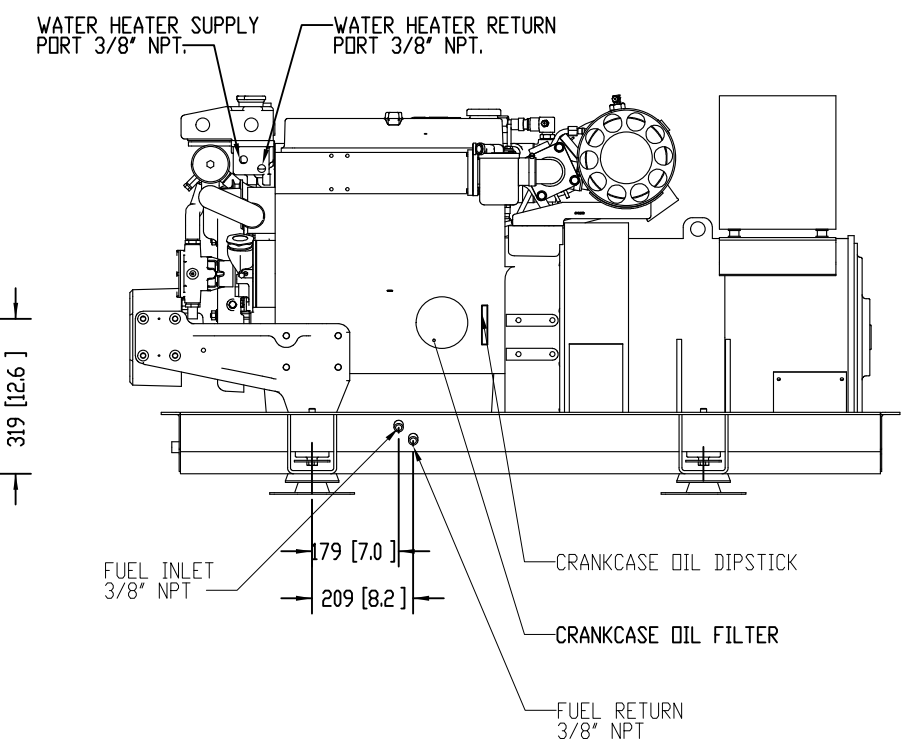
REAR VIEW



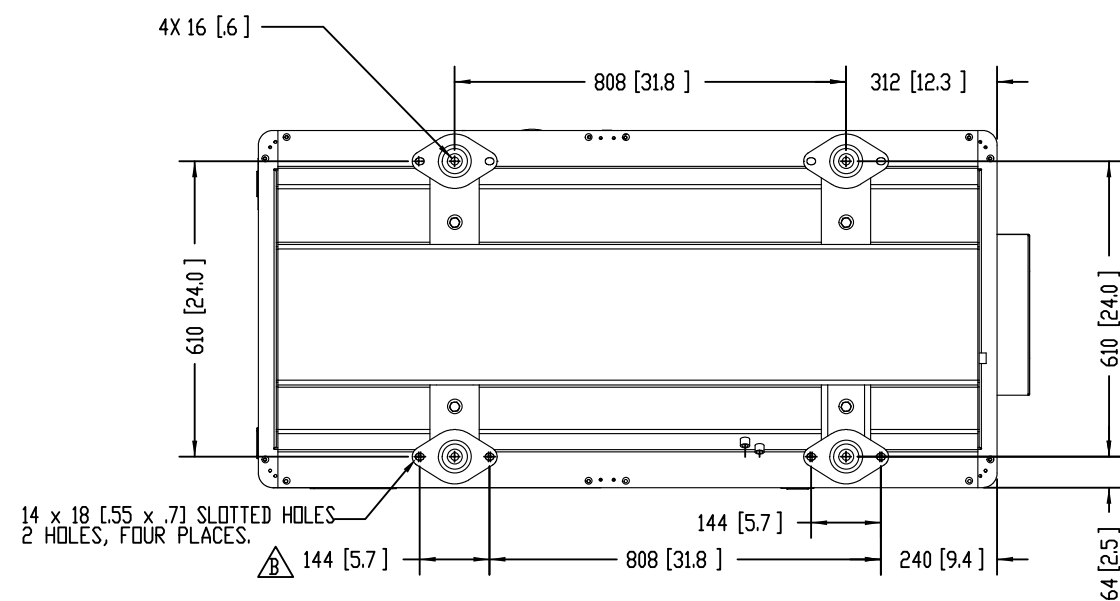
RIGHT SIDE VIEW



FRONT VIEW

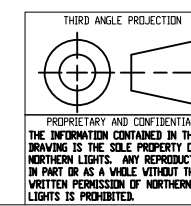


LEFT SIDE VIEW (SERVICE SIDE)



BOTTOM VIEW

WEIGHTS: GENSET 654.7 kg [1443.5 lbs.]  
GENSET w/PTO 695.5 kg [1535.5 lbs.]



UNLESS OTHERWISE SPECIFIED:	NAME	DATE	NORTHERN LIGHTS	
DIMENSIONS ARE IN MILLIMETERS	LTP	2/09	4420 14th AVE. N.W. Seattle, WA 98107 (206) 789-3880 www.northern-lights.com	
ANGULAR TOLERANCES:	CHECKED		TITLE: INSTALLATION DIMENSIONS	
MACH ± 0.1°	ENG APPR		M944T 1800/1500 rpm 3/1 phase GENSET	
BEND ± 10°	WFG APPR		SIZE PART NO.	DWG. NO.
X ± 0.5	DA		D	D-4350
FLK ± 0.3	COMMENTS		SCALE: 1:10	WEIGHT: SEE NOTE.
INTERPRET GEOMETRIC TOLERANCING PER: ASME Y14.5M				SHEET 1 OF 1
MATERIAL:				
FINISH:				
DO NOT SCALE				

REV.	DESCRIPTION	DATE	APPROVED	CHECKED
C	CORRECTED WEIGHT TOTAL TO INCLUDE COOLANT FILED UNDER EON#2057	5/23/12	LTP	-
B	ADDED WEIGHT DATA, OPTIONAL MOUNTS AND RELATED DIMENSIONS.	12/21/10	LTP	MG 12/21/2010
A	ADDED RAW WATER INLET SIZE	11/06/09	LTP	

REVISIONS				
REV.	DESCRIPTION	DATE	APPROVED	CHECKED
C	CORRECTED WEIGHT TOTAL TO INCLUDE COOLANT FILED UNDER EON#2057	5/23/12	LTP	-
B	ADDED WEIGHT DATA, OPTIONAL MOUNTS AND RELATED DIMENSIONS.	12/21/10	LTP	MG 12/21/2010
A	ADDED RAW WATER INLET SIZE	11/06/09	LTP	

D-4350B