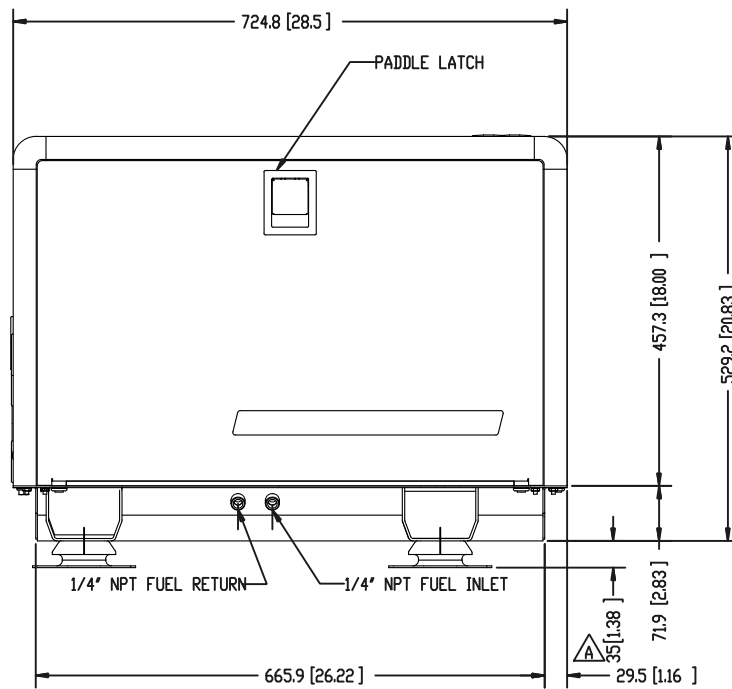
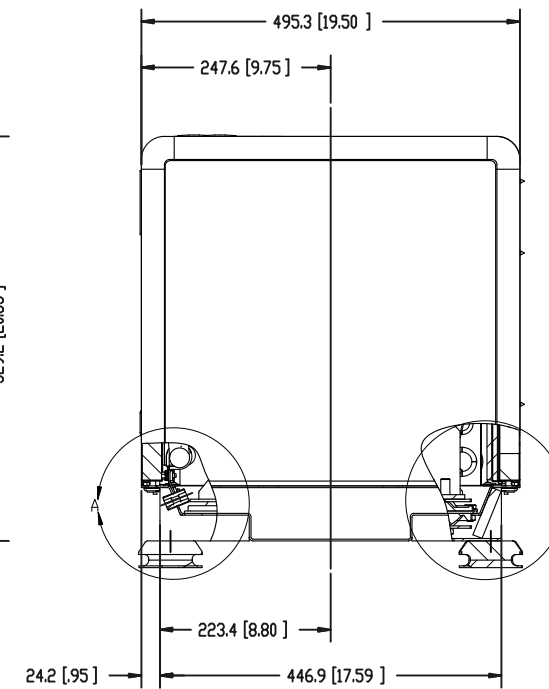


PLAN VIEW

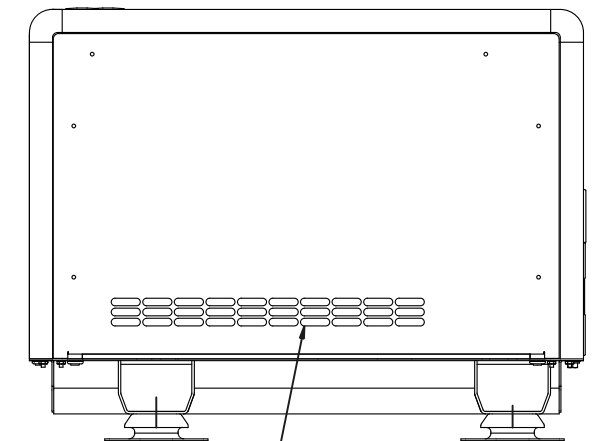
REAR VIEW



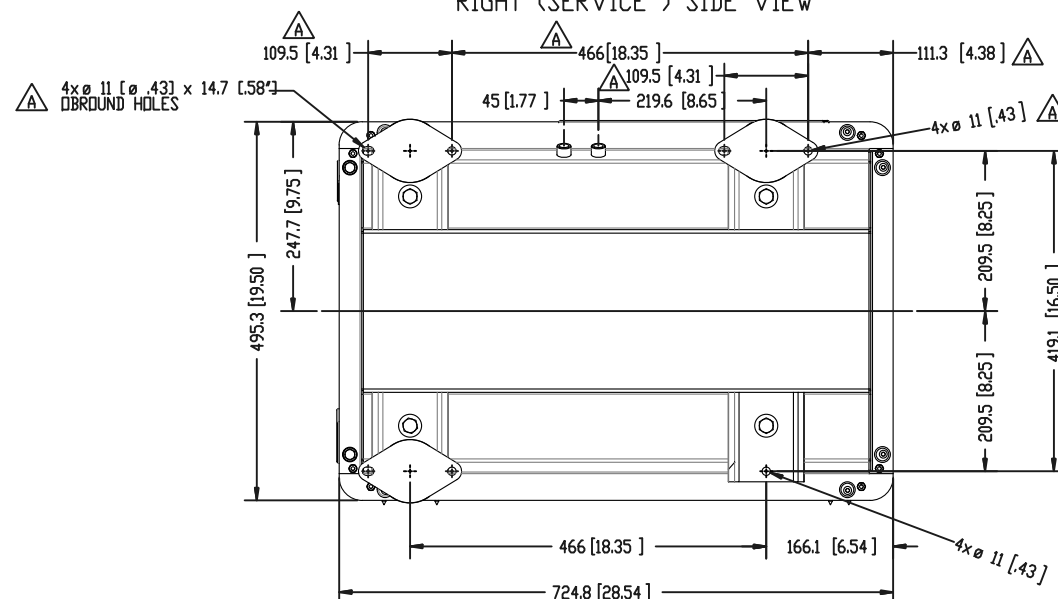
RIGHT (SERVICE) SIDE VIEW



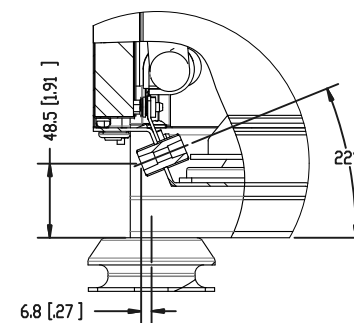
FRONT VIEW



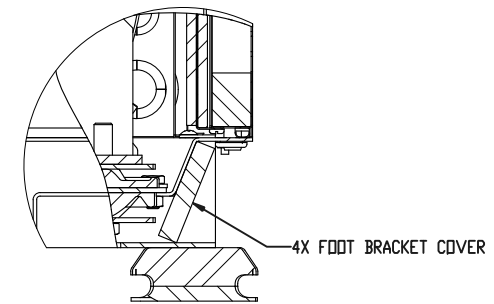
LEFT (NON SERVICE) SIDE VIEW



BOTTOM VIEW

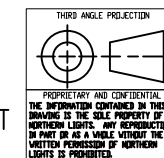


DETAIL A
SCALE 2 : 5



DETAIL B
SCALE 2 : 5

WEIGHTS:
SHIELD ONLY: 20 KG [44 lbs.]
WITH GENSET: 191 KG [421 lbs.] WET



THIRD ANGLE PROJECTION
PROPRIETARY AND CONFIDENTIAL
THE INFORMATION CONTAINED IN THIS DRAWING IS THE SOLE PROPERTY OF NORTHERN LIGHTS. ANY REPRODUCTION OR PARTIAL REPRODUCTION WITHOUT THE WRITTEN PERMISSION OF NORTHERN LIGHTS IS PROHIBITED.

UNLESS OTHERWISE SPECIFIED:	NAME	DATE
DIMENSIONS ARE IN MILLIMETERS	LTP	6/18/2000
TOLERANCES:	CHECKED	
ANGULAR:	ENG APPR.	
MACH ± 0.5° BEND ± 1.0°	WFG APPR.	
TWO PLACE DECIMAL ± 0.2	QA	
THREE PLACE DECIMAL ± 0.13	COMMENTS:	
INTERPRET GEOMETRIC TOLERANCING PER ASME Y14.5M		
MATERIAL:		
FINISH:		
DO NOT SCALE		

REV.	DESCRIPTION	DATE	BY	CHECKED
A	ADDED COMPOND MOUNTS, EDH#2331	3/25/2013	LTP	NG 3/25/13

REVISONS		NORTHERN LIGHTS		4420 14th AVE. N.W. Seattle, WA 98107 (206) 789-3880 www.northern-lights.com	
TITLE: INSTALLATION DIMENSIONS M673L3/LD3 SOUND SHIELD					
SIZE	PART NO.	DWG. NO.	REV		
D	05-78010	D-4462	A		
SCALE: 1:5	WEIGHT:			SHEET 1 OF 1	