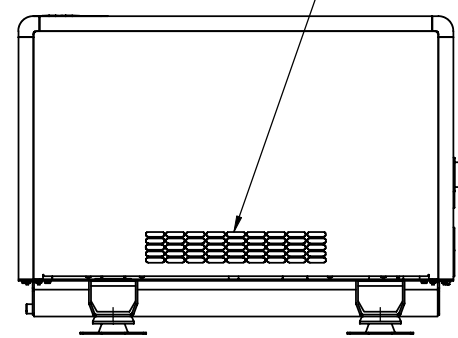


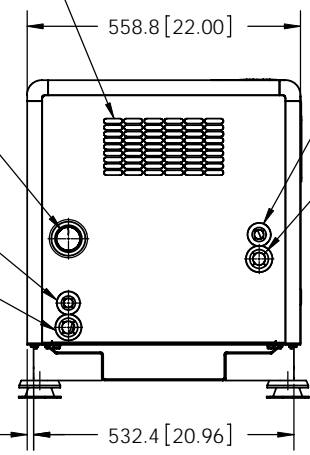
GENERATOR AIR OUTLET
(MAINTAIN MIN OF 102 [4"]
CLEARANCE IN FRONT OF VENT.)



LEFT SIDE VIEW

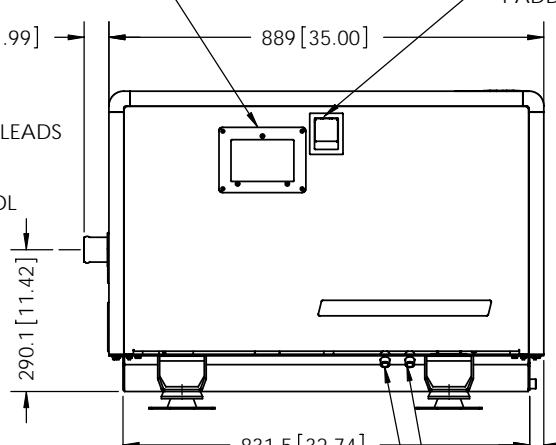
Ø51 [Ø2"] OD WET EXHAUST
OUTLET TUBE

GENERATOR AIR INLET
(MAINTAIN MIN OF 102 [4"]
CLEARANCE IN FRONT OF VENT.)



REAR VIEW

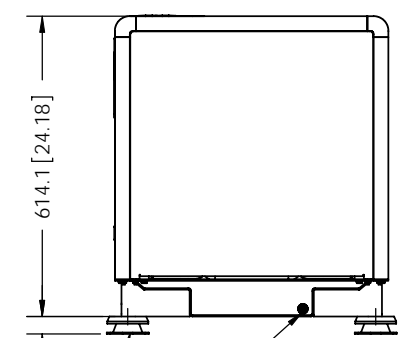
OPTIONAL WAVENET
CONTROL PANEL



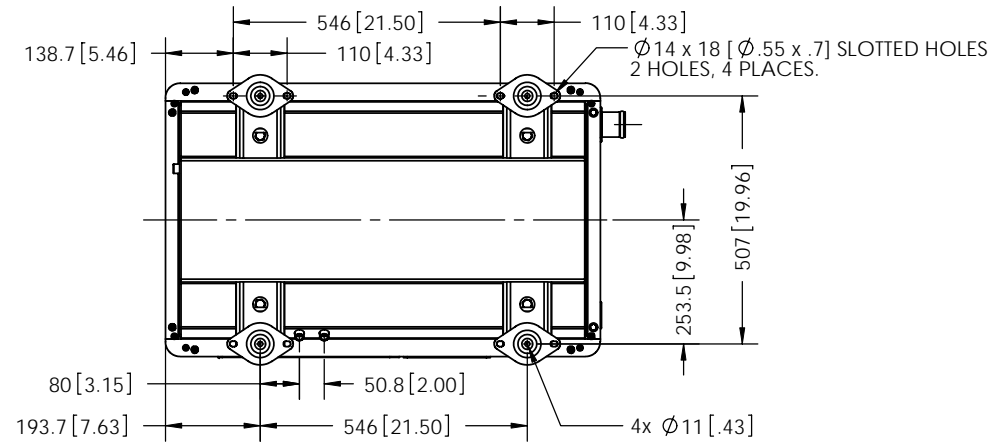
RIGHT (SERVICE) SIDE VIEW

OPTIONAL SIPHON BREAK

PLAN VIEW



FRONT VIEW



BOTTOM VIEW

REV.	DESCRIPTION	DATE	APPROVED	CHECKED
A	UPDATED WET EXHAUST TUBE 27-38602 TO SHOW CORRECT PROTRUSANCE DIM OUTSIDE OF SHIELD AND WAVENET INSTALLATION. FILED UNDER EGN#1354	09/28/10	LTP	TAH 09/28/10

NAME	DATE
DRAWN LTP	9/21/10
CHECKED TAH	9/22/10
ENG APPR.	
MFG APPR.	
Q.A.	
COMMENTS:	

NORTHERN LIGHTS
4420 14th AVE. N.W.
Seattle, WA 98107
(206) 789-3880
www.northern-lights.com

INSTALLATION DIMENSIONS
M773L3 SOUND SHIELD

SIZE	PART NO.	DWG. NO.	REV
C	05-78610	D-4463	A
SCALE: 1:10		WEIGHT: 27.2 kg [60 lbs.]	SHEET 1 OF 1

THIRD ANGLE PROJECTION

PROPRIETARY AND CONFIDENTIAL
THE INFORMATION CONTAINED IN THIS DRAWING IS THE SOLE PROPERTY OF NORTHERN LIGHTS. ANY REPRODUCTION IN PART OR AS A WHOLE WITHOUT THE WRITTEN PERMISSION OF NORTHERN LIGHTS IS PROHIBITED.

UNLESS OTHERWISE SPECIFIED:
DIMENSIONS ARE IN MILLIMETERS
TOLERANCES:
ANGULAR: MACH ± 0.5°
BEND ± 1.0°
X = ± 0.5
X.X = ± 0.3

INTERPRET GEOMETRIC TOLERANCING PER: ASME Y14.5M

MATERIAL

FINISH

DO NOT SCALE DRAWING