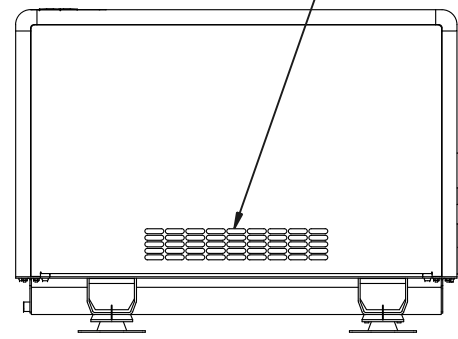


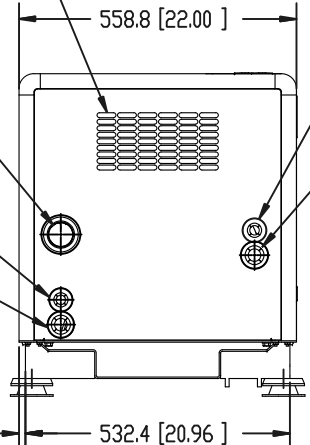
GENERATOR AIR OUTLET  
(MAINTAIN MIN OF 102 [4"]  
CLEARANCE IN FRONT OF VENT.)



LEFT SIDE VIEW

∅ 51 [∅ 2"] DD WET EXHAUST  
OUTLET TUBE

GENERATOR AIR INLET  
(MAINTAIN MIN OF 102 [4"]  
CLEARANCE IN FRONT OF VENT.)



REAR VIEW

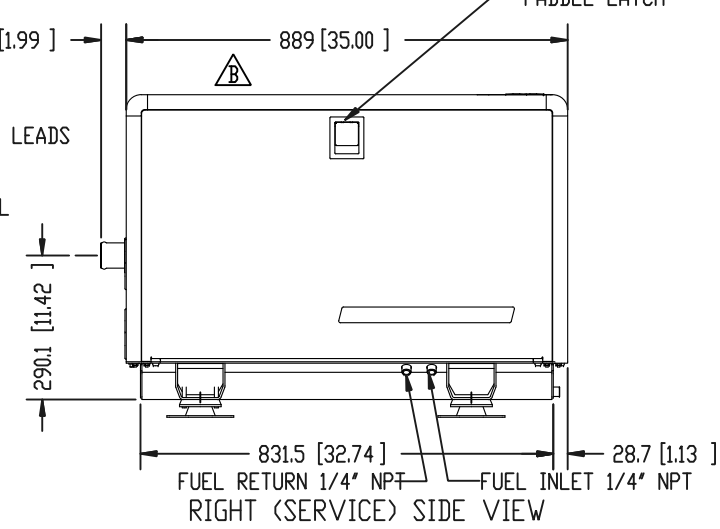
BATTERY CABLES

∅ 19 [∅ .75]  
RAW WATER INLET

AC OUTPUT LEADS  
DC CONTROL CABLES

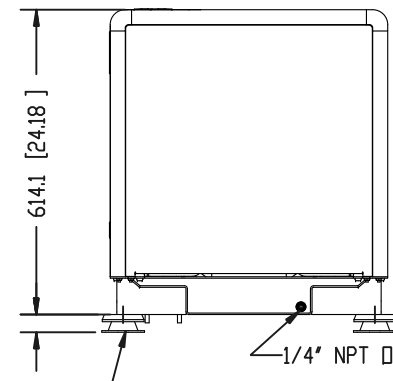
PLAN VIEW

PADDLE LATCH

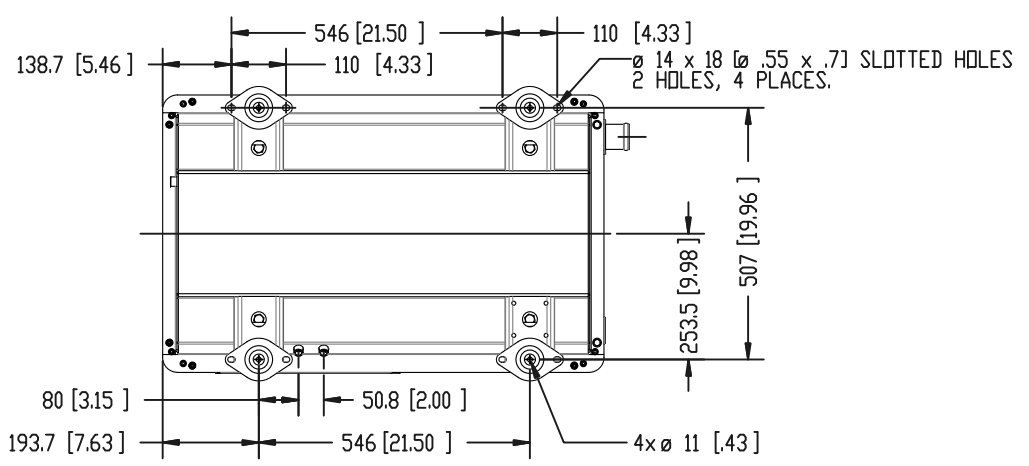


FUEL RETURN 1/4" NPT  
FUEL INLET 1/4" NPT

OPTIONAL SIPHON BREAK



1/4" NPT OIL DRAIN  
OPTIONAL COMPOUND MOUNTS

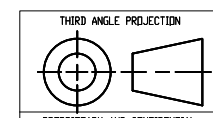


BOTTOM VIEW

138.7 [5.46] 546 [21.50] 110 [4.33] 110 [4.33] ∅ 14 x 18 [∅ .55 x .7] SLOTTED HOLES  
2 HOLES, 4 PLACES.  
253.5 [9.98] 507 [19.96] 80 [3.15] 193.7 [7.63] 50.8 [2.00] 546 [21.50] 4x∅ 11 [4.3]

REV.	DESCRIPTION	DATE	BY	CHECKED
B	DELETED DISCONTINUED WAVENET OPTION, UPDATE LOGO, FILED UNDER ECN#3554	10/9/2015	LTP	TAH 10/15/15
A	UPDATED WET EXHAUST TUBE 27-38602 TO SHOW CORRECT PROTRUSANCE DIM OUTSIDE OF SHIELD AND WAVENET INSTALLATION. FILED UNDER ECN#1354	09/28/10	LTP	TAH 09/28/10

UNLESS OTHERWISE SPECIFIED  
DIMENSIONS ARE IN MILLIMETERS



THIRD ANGLE PROJECTION  
PROPRIETARY AND CONFIDENTIAL  
THE INFORMATION CONTAINED IN THIS DRAWING IS THE SOLE PROPERTY OF NORTHERN LIGHTS. ANY REPRODUCTION IN PART OR AS A WHOLE WITHOUT THE WRITTEN PERMISSION OF NORTHERN LIGHTS IS PROHIBITED.

NAME	DATE
DRAWN LTP	9/21/10
CHECKED TAH	9/22/10
ENG APPR.	
MFG APPR.	
QA COMMENTS:	

4420 14th AVE. N.W.  
Seattle, WA 98107  
(206) 789-3880  
www.northern-lights.com

NORTHERN LIGHTS  
INSTALLATION DIMENSIONS  
M773L3 SOUND SHIELD

SIZE C	PART NO. 05-78610	DWG. NO. D-4463	REV B
SCALE: 1:10	WEIGHT: 27.2 kg [60 lbs.]	SHEET 1 OF 1	

THE DIMENSIONS ON THIS DRAWING ARE SUBJECT TO CHANGE. PLEASE CONTACT NORTHERN LIGHTS INC TO BE SURE YOU HAVE THE MOST CURRENT REVISION.