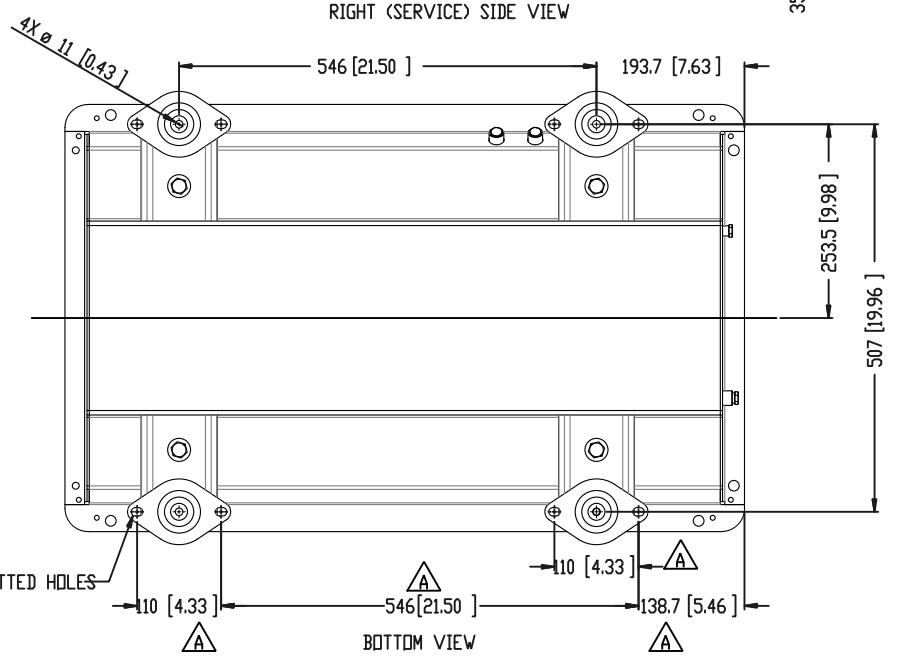
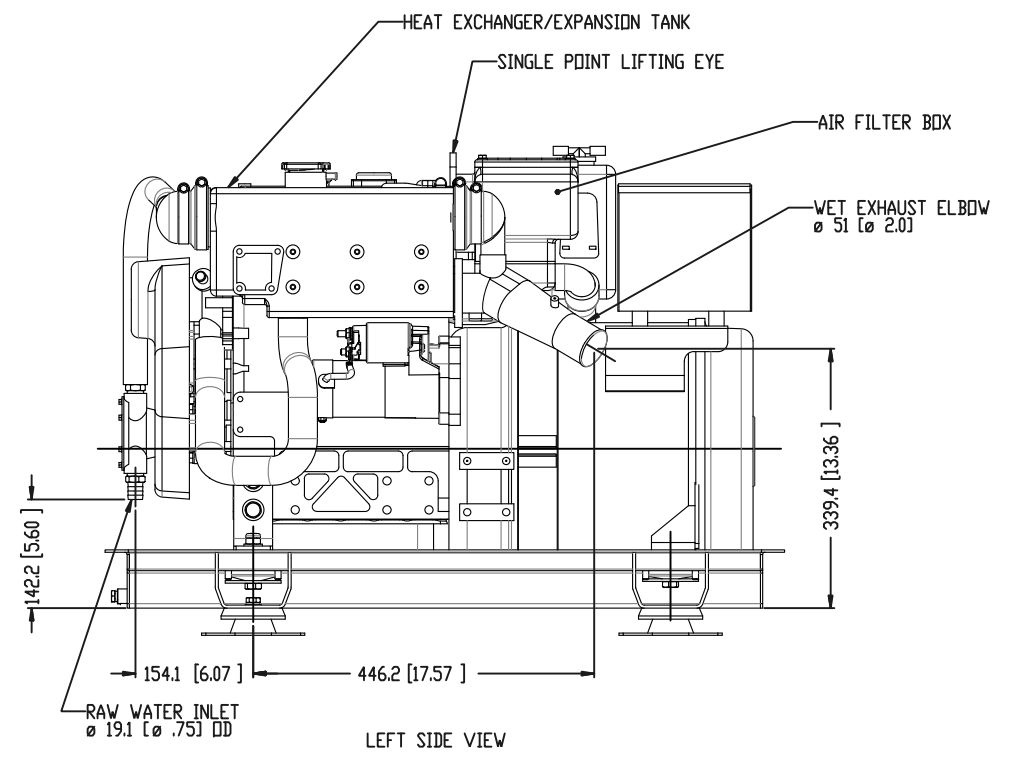
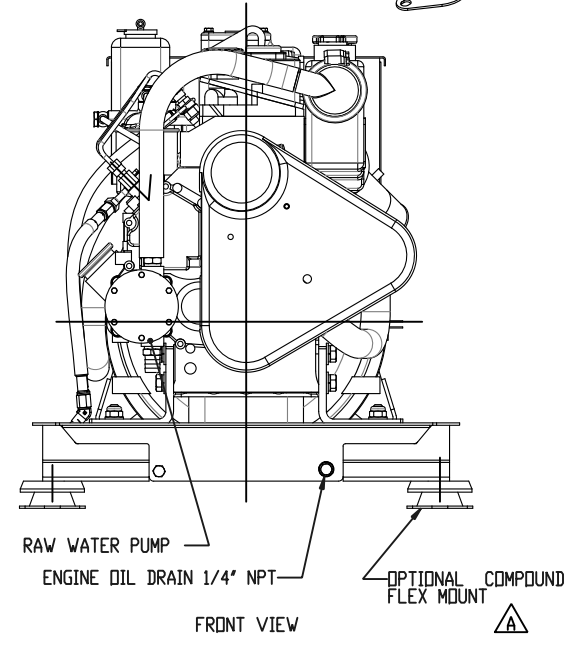
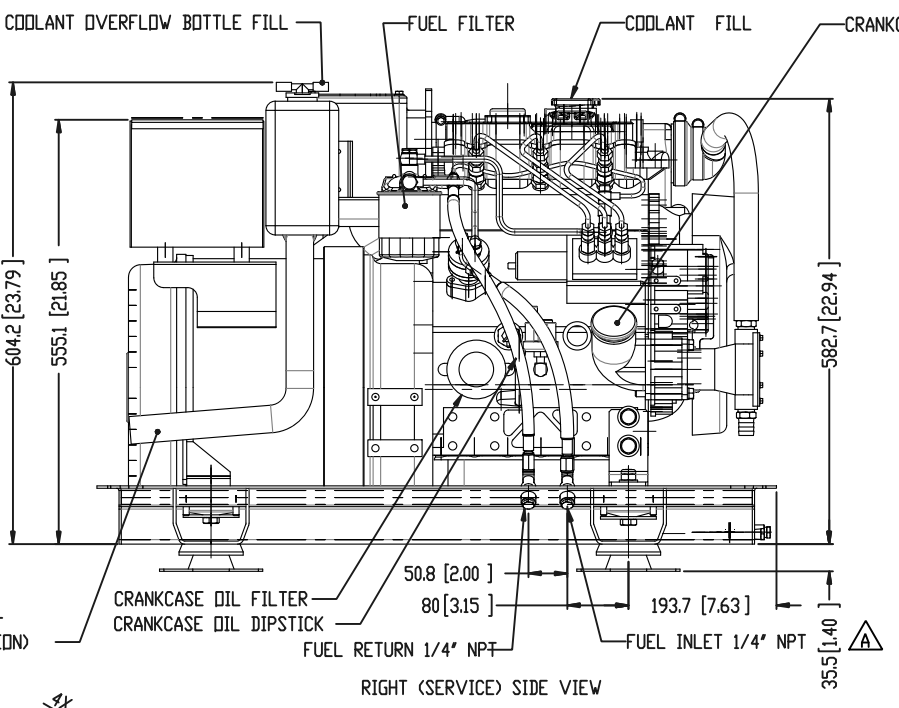
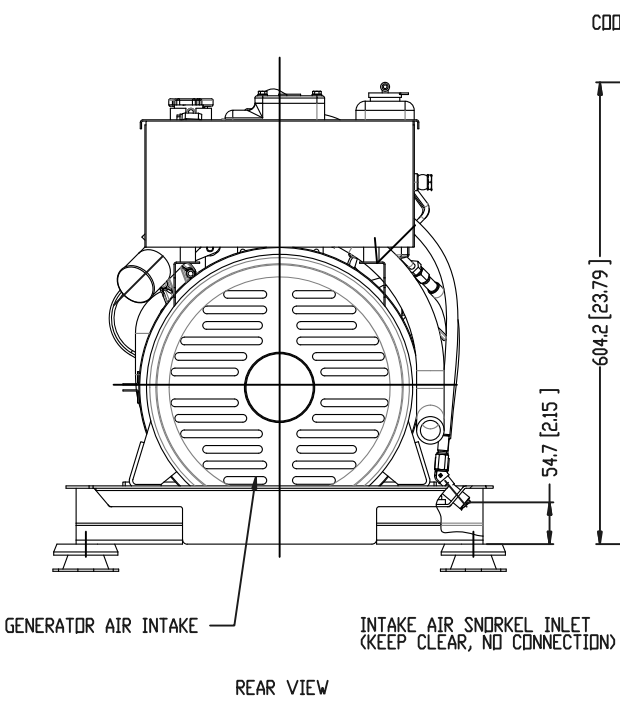
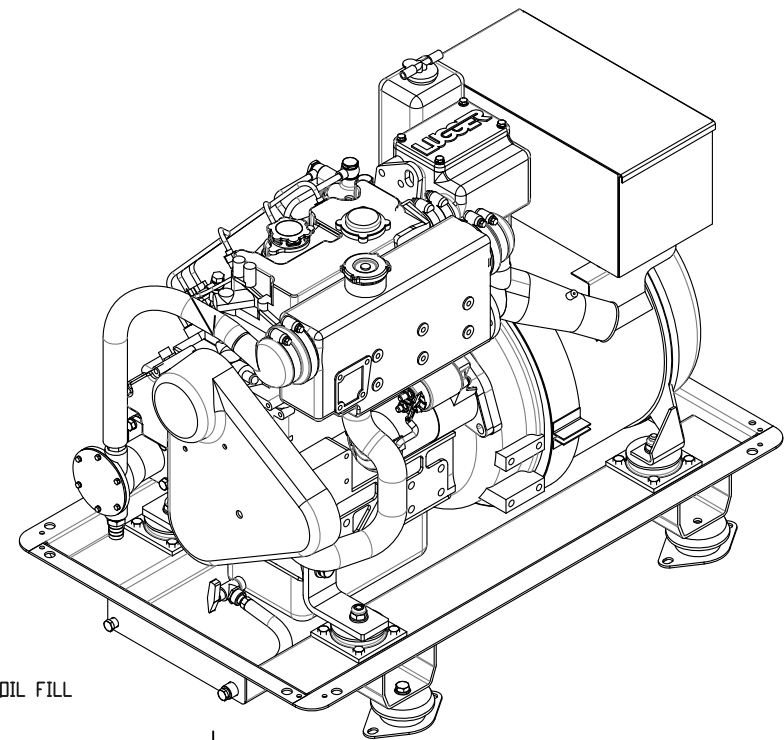
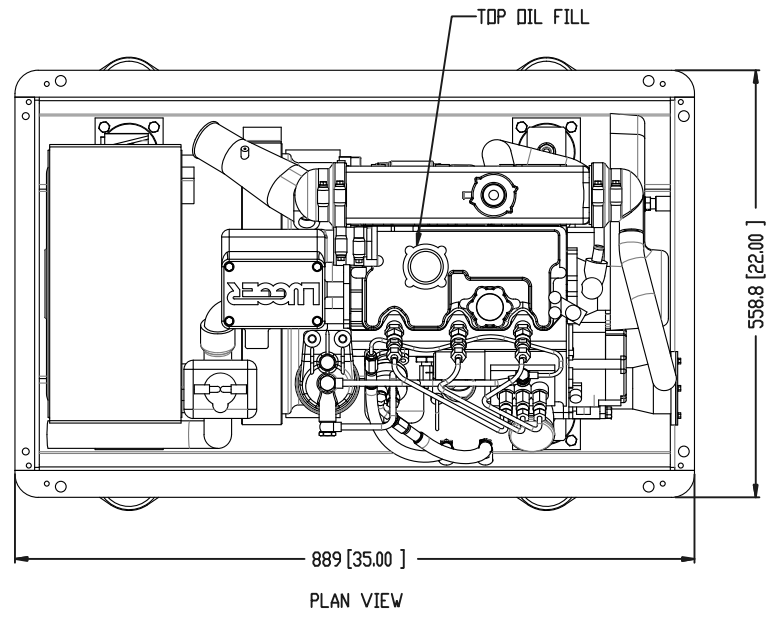


GENERATOR APPLICATION TABLE			
M773LW3	9kW	1800 RPM	3 PHASE 60 HZ.
M773LW3	9kW	1800 RPM	1 PHASE 60 HZ.
M773LW3	7kW	1500 RPM	3 PHASE 50 HZ.
M773LW3	7kW	1500 RPM	1 PHASE 50 HZ.



Ø 14 x 18 @ .55 x .71 SLOTTED HOLES  
2 HOLES, 4 PLACES.

THE DIMENSIONS ON THIS DRAWING ARE SUBJECT TO CHANGE. PLEASE CONTACT NORTHERN LIGHTS INC TO BE SURE YOU HAVE THE MOST CURRENT REVISION.

REV.	DESCRIPTION	DATE	BY	CHECKED
A	ADDED APPLICATIONS CHART, ADDED OPTIONAL COMPOUND MOUNTS AND RELATED DIMENSIONS, UPDATE LOGO, EDR#3553	10/8/2015	LTP	TAH 10/15/15

REVISIONS				
NO.	DATE	NAME	DATE	DESCRIPTION
1	11/10/10	LTP		

UNLESS OTHERWISE SPECIFIED: DIMENSIONS ARE IN MILLIMETERS TOLERANCES: ANGULAR: HOLE: ± 0.5° BEND ± 10° TWO PLACE DECIMAL ± 0.2 THREE PLACE DECIMAL ± 0.13 INTERPRET GEOMETRIC TOLERANCING PER ASME Y14.5M	DRAWN LTP 11/10/10	CHECKED ENG APPR. MFG APPR. QA	NAME LTP DATE 11/10/10	 4420 14th AVE. N.W. Seattle, WA 98107 (206) 789-3880 www.northern-lights.com
--	--------------------------	---	---------------------------------	---

TITLE: INSTALLATION DIMENSIONS M773L3	SIZE DWG. NO. D-4481	REV A
---	-------------------------	----------

SCALE: 1/5	WEIGHT: 284 kg (625 lb)	SHEET 1 OF 1
------------	-------------------------	--------------

