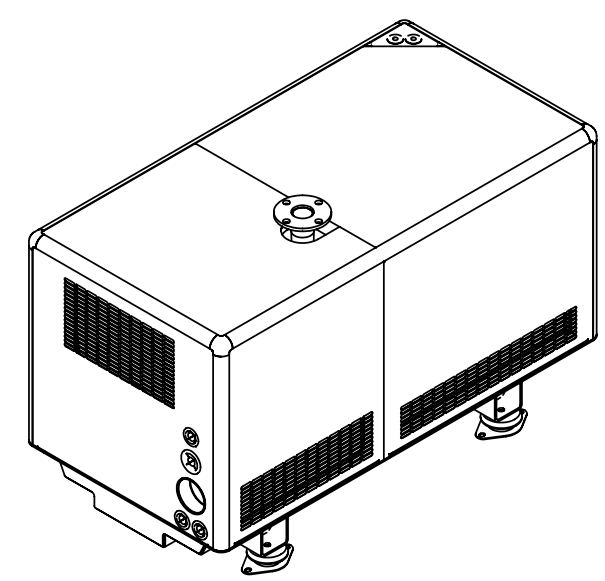
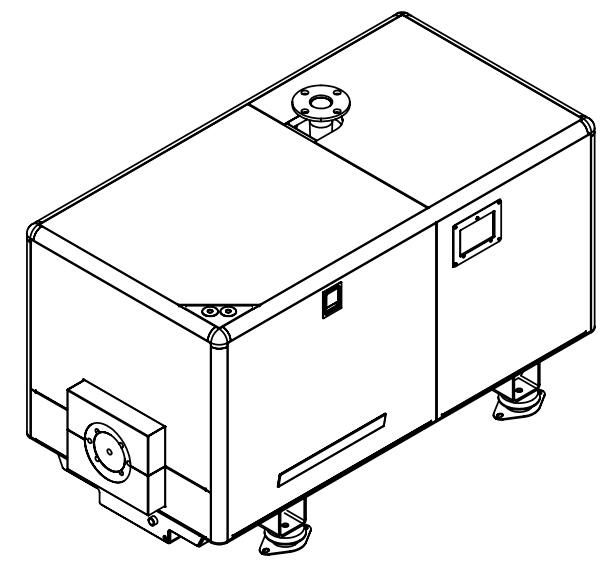
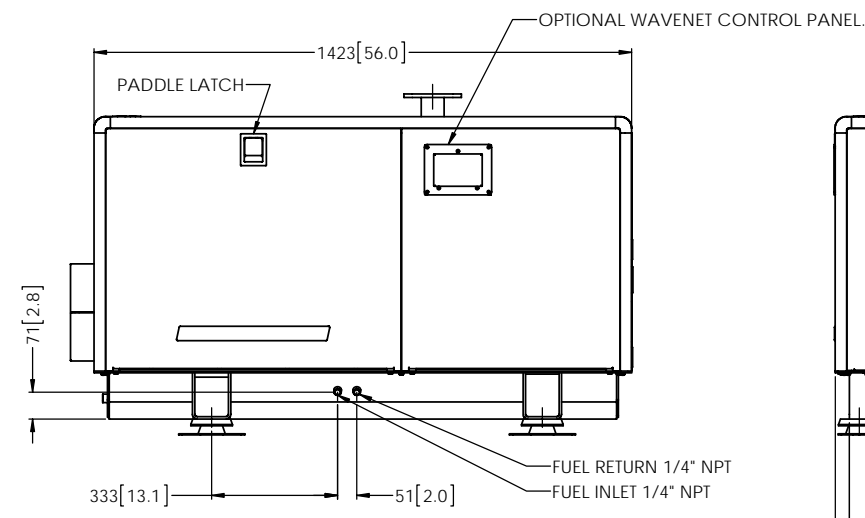


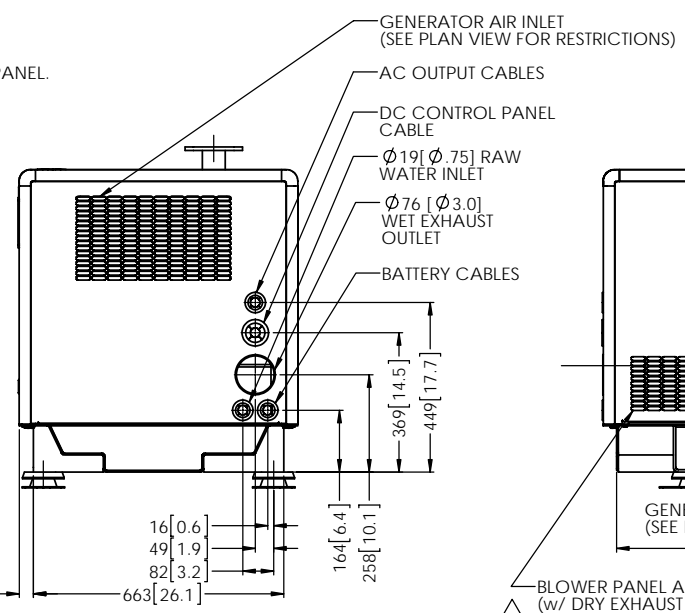
PLAN VIEW



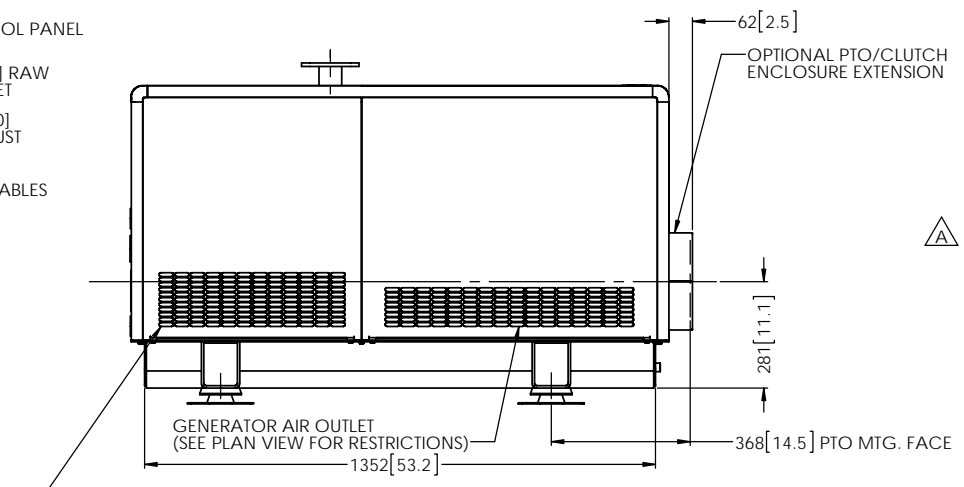
2" DRY EXHAUST FLANGE,
Ø152 [Ø6.0] OD
Ø19[0.7] 4 HOLES EQ. SP.
ON Ø121 [Ø4.75] B.C.



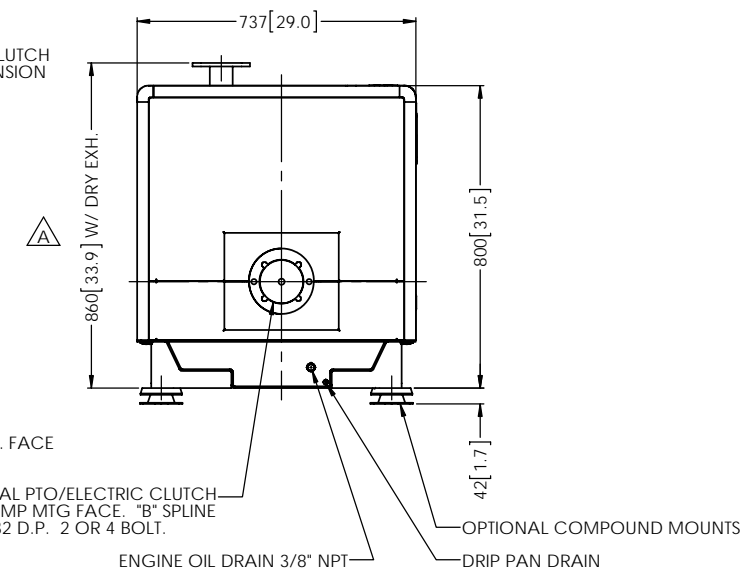
LEFT (SERVICE) SIDE VIEW



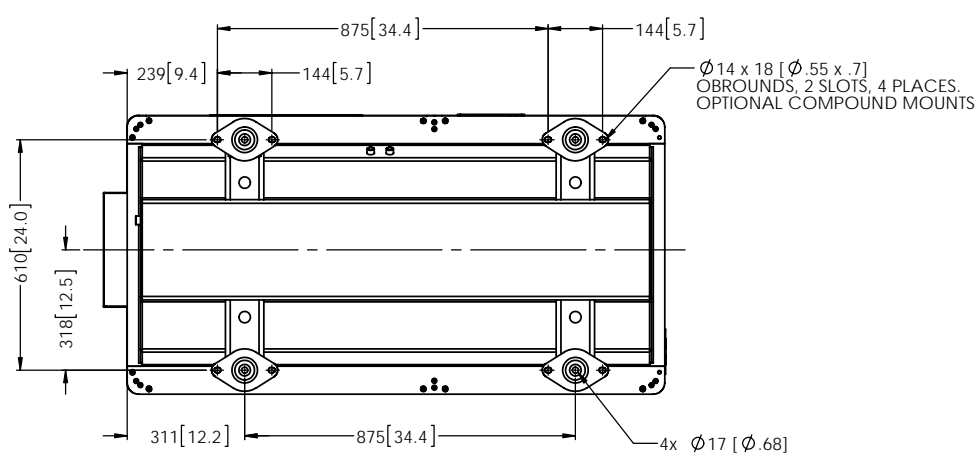
REAR VIEW



RIGHT SIDE VIEW



FRONT VIEW



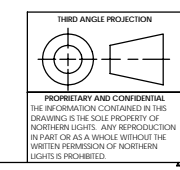
BOTTOM VIEW

THE DIMENSIONS ON THIS DRAWING ARE SUBJECT TO CHANGE PLEASE CONTACT NORTHERN LIGHTS INC TO BE SURE YOU HAVE THE MOST CURRENT REVISION.

WEIGHTS: PENDING

REV.	DESCRIPTION	DATE	BY	CHECKED
A	UPDATED INSTALLATION DWG TO SHOW DRY EXHAUST OPTION. FILED UNDER ECN#1836	08/01/11	LTP	MG 8/01/2011

REVISIONS				
REV.	DESCRIPTION	DATE	BY	CHECKED
A	UPDATED INSTALLATION DWG TO SHOW DRY EXHAUST OPTION. FILED UNDER ECN#1836	08/01/11	LTP	MG 8/01/2011



UNLESS OTHERWISE SPECIFIED:	NAME	DATE
DIMENSIONS ARE IN MILLIMETERS	DRAWN	LTP 8/28/2011
TOLERANCES	CHECKED	
ANGULAR - MATCH 0.1°	ENG APPR	
TWO PLACE DECIMAL ±0.2	MG APPR	
THREE PLACE DECIMAL ±0.13	Q.A.	
INTERPRET GEOMETRIC TOLERANCING PER ASME Y14.5M	COMMENTS	
MATERIAL		

NORTHERN LIGHTS 1420 14th AVE. N.W. Seattle, WA 98107 (206) 789-3880 www.northern-lights.com

TITLE: **INSTALLATION DIMENSIONS M944W3 SOUND SHIELD**

SIZE DWG. NO. **D-4526** REV **A**

SCALE: 1:10 WEIGHT: SHEET 1 OF 1