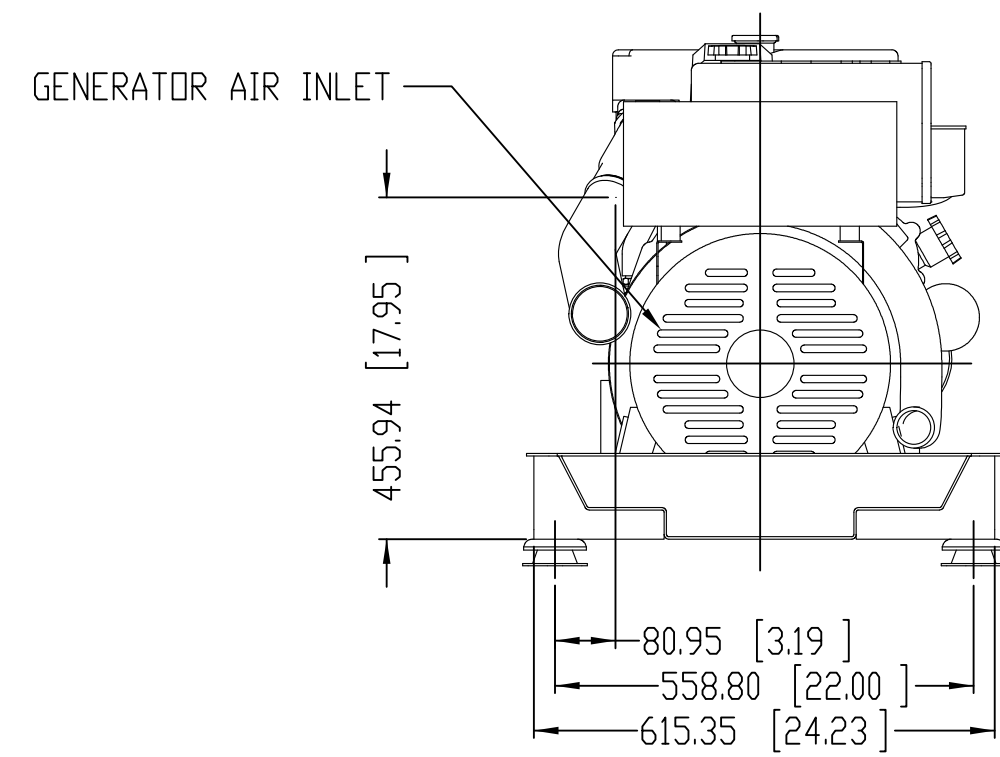
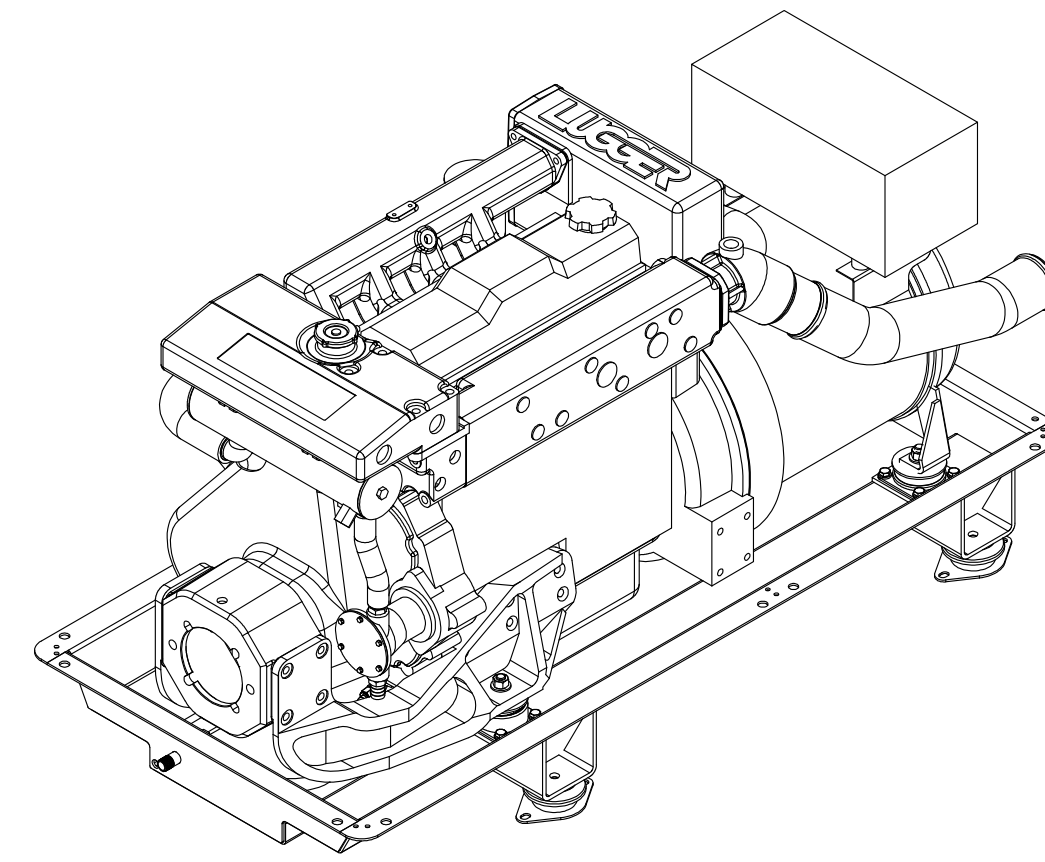
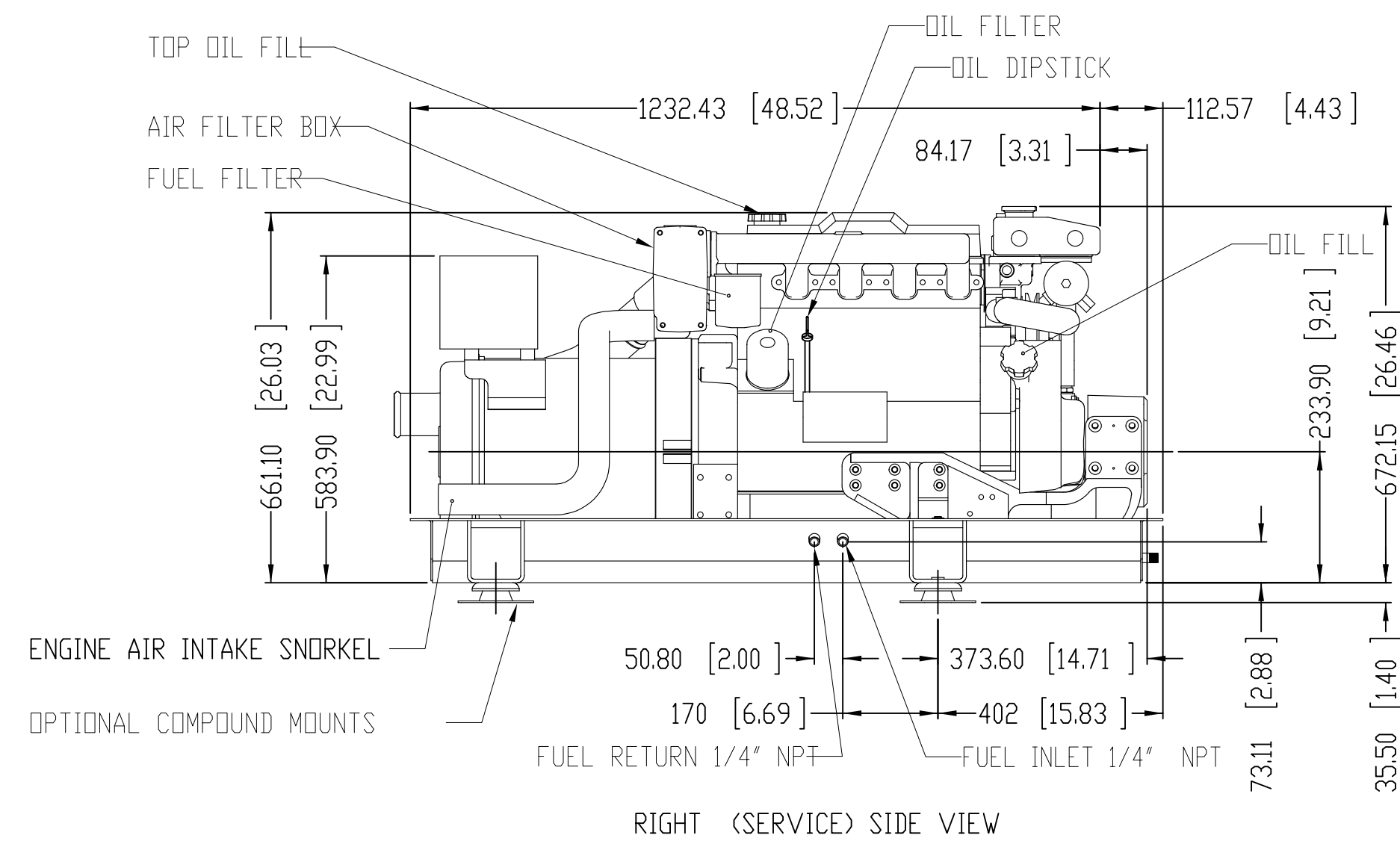


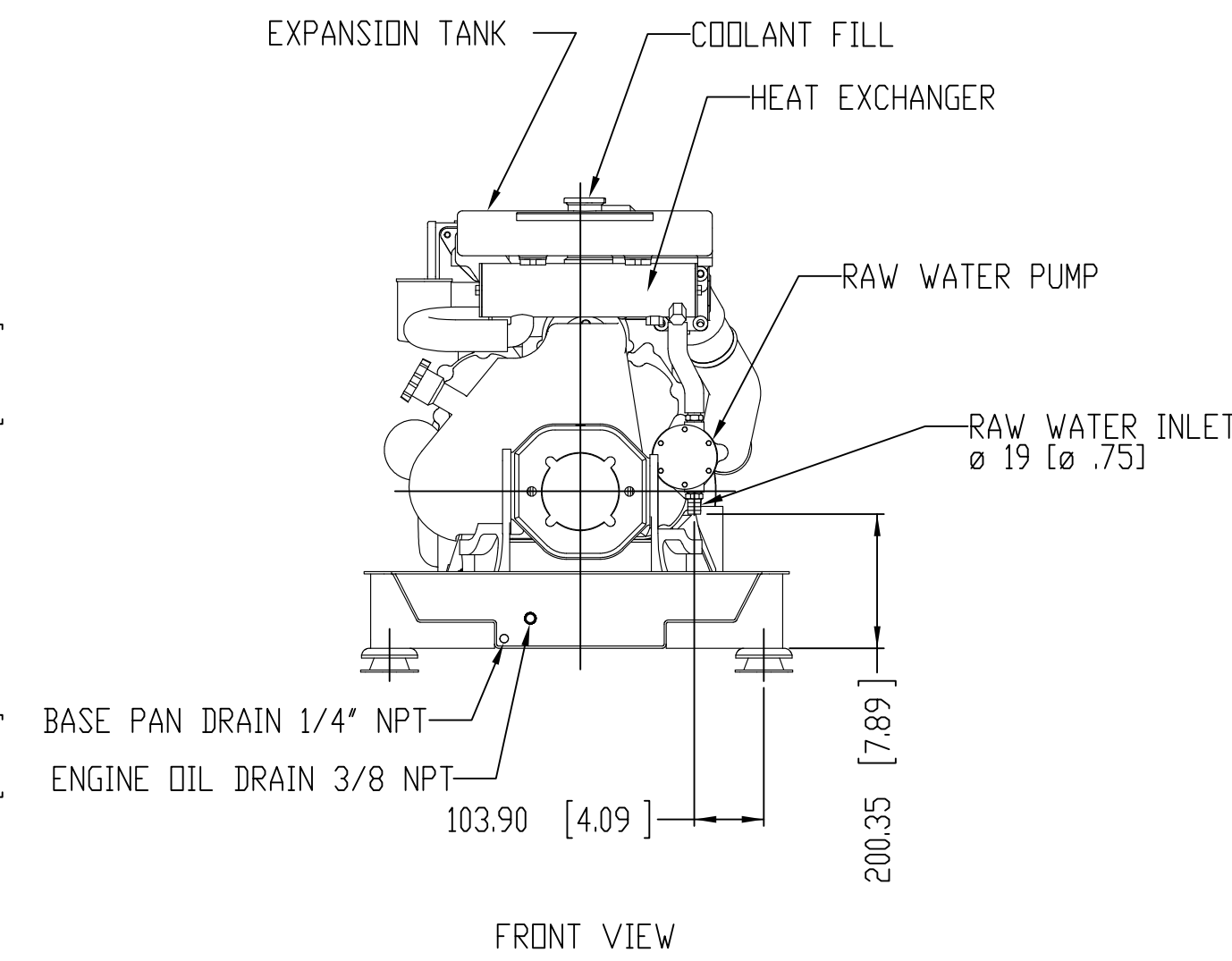
PLAN VIEW



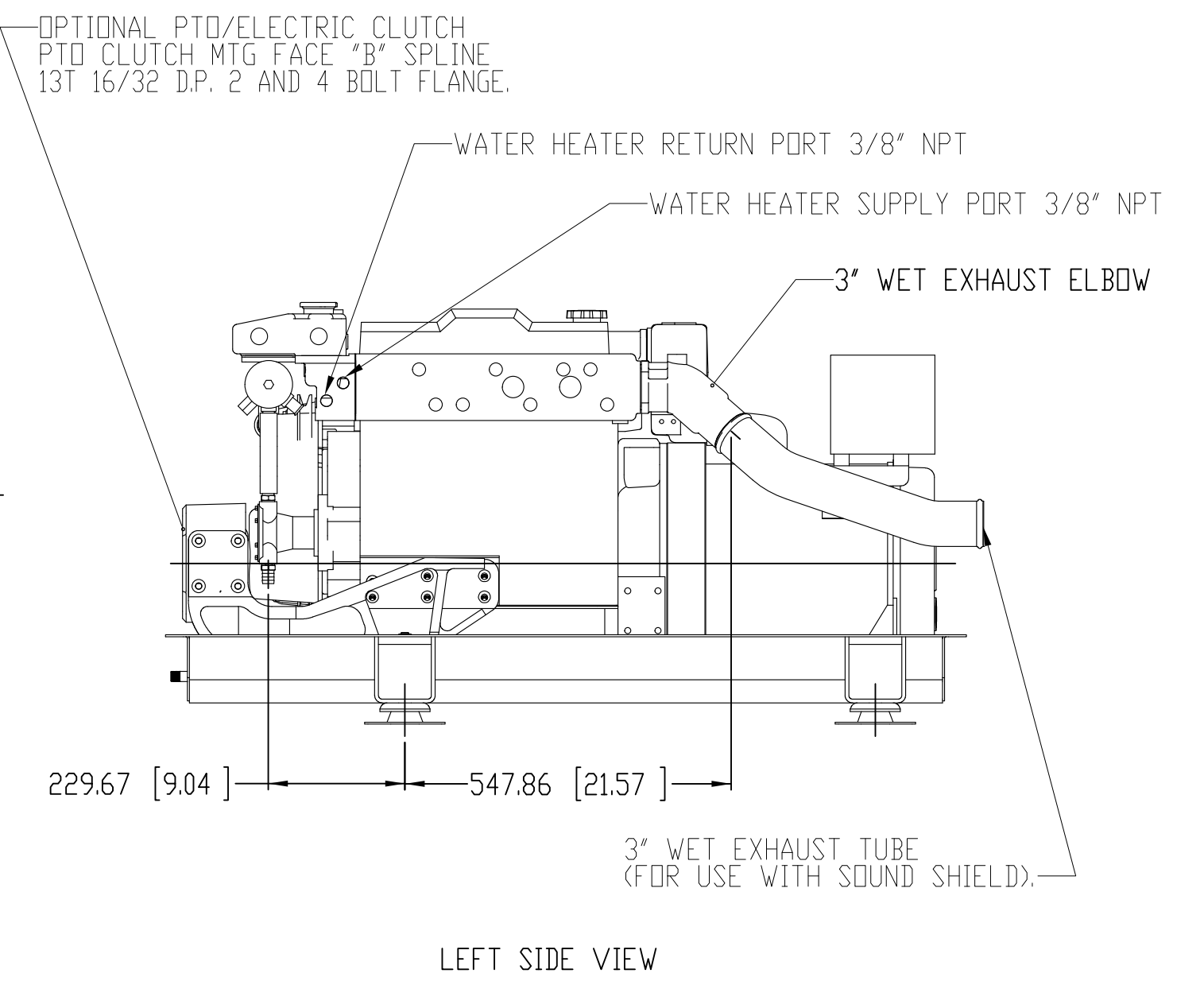
REAR VIEW



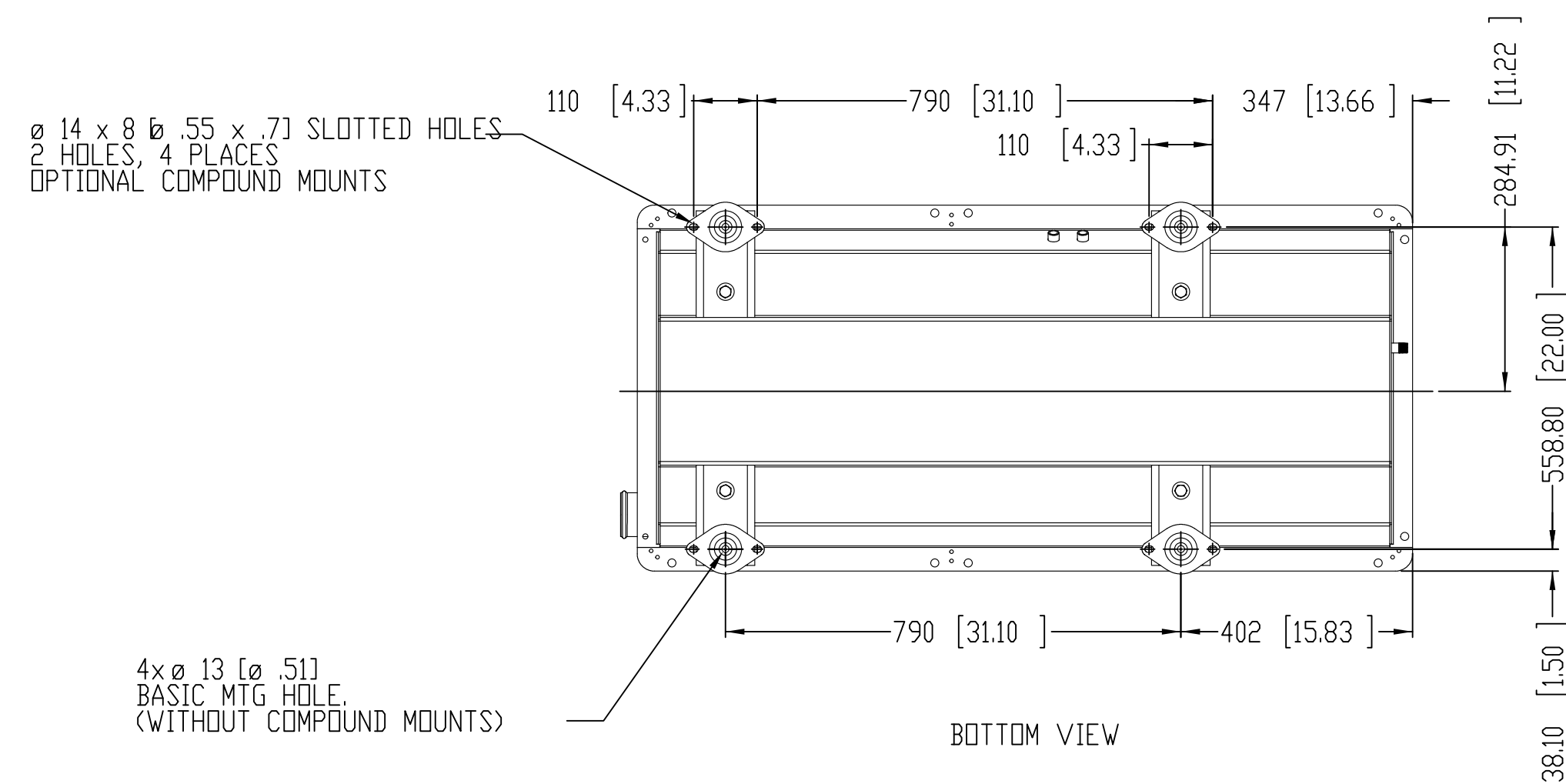
RIGHT (SERVICE) SIDE VIEW



FRONT VIEW

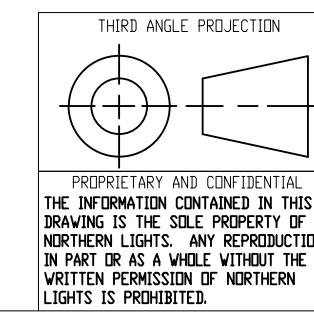


LEFT SIDE VIEW



BOTTOM VIEW

TOTAL WEIGHT (WET): 444.5 kg [979.8 LBS.]
ADD 29.5 kg [65 lbs] FOR PTO OPTION.



UNLESS OTHERWISE SPECIFIED		NAME	DATE	 4420 14th AVE. N.W. Seattle, WA 98107 (206) 789-3880 www.northern-lights.com
DIMENSIONS ARE IN MILLIMETERS		LTP	8/18/11	
TOLERANCES:		CHECKED		TITLE: INSTALLATION DIMENSIONS M864W3
ANGULAR		ENG APPR.		
MCHT ± 0.5° BEND ± 10°		MFG APPR.		
X ± 0.5		QA		SIZE DWG. NO. D-4530
XX ± 0.3		COMMENTS:		
INTERPRET GEOMETRIC TOLERANCING PER: ASME Y14.5M				SCALE: 1:10 WEIGHT: SHEET 1 OF 1
MATERIAL				
NEXT ASSY	USED ON	FINISH		
APPLICATION				

REV. D-4530