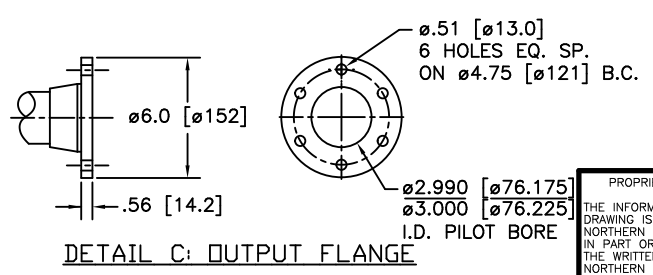
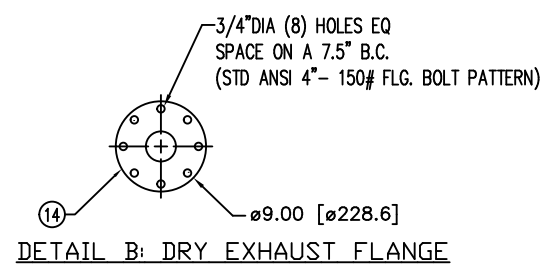
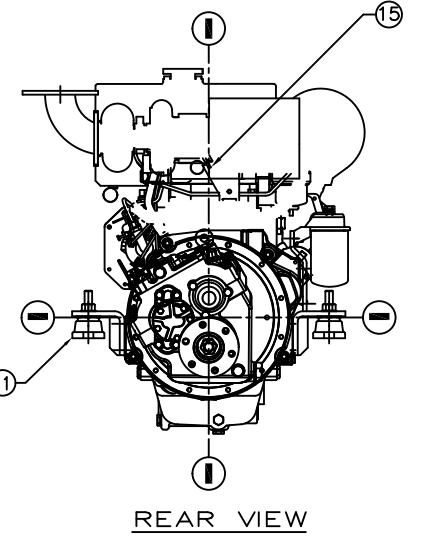
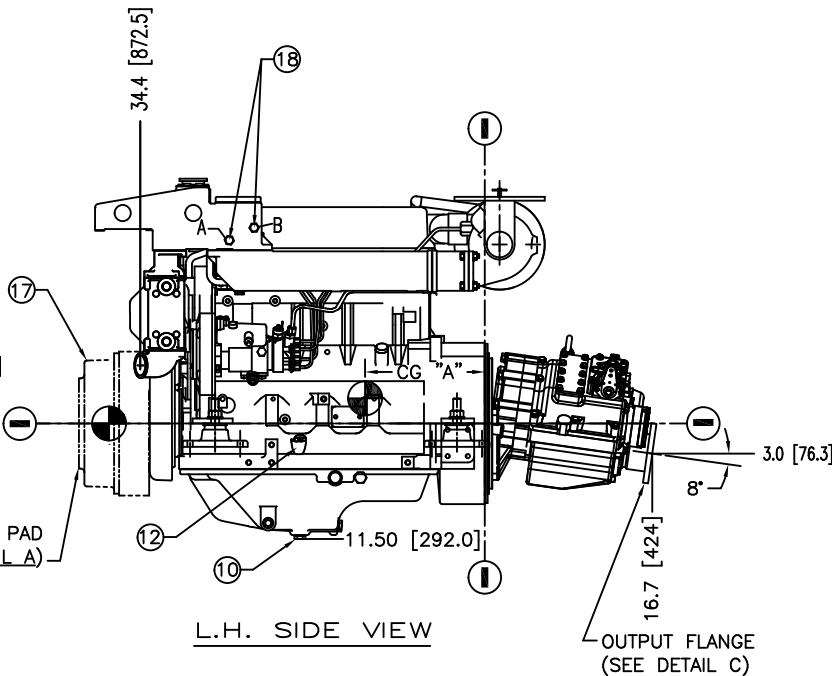
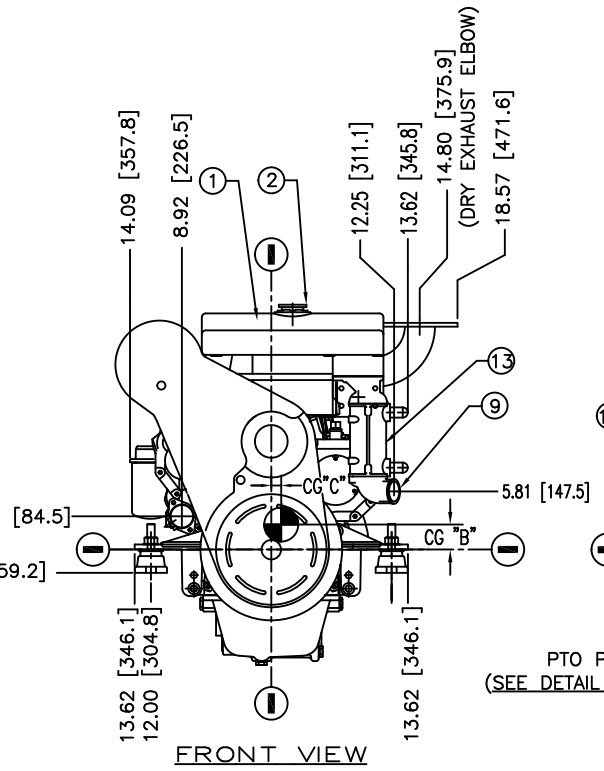
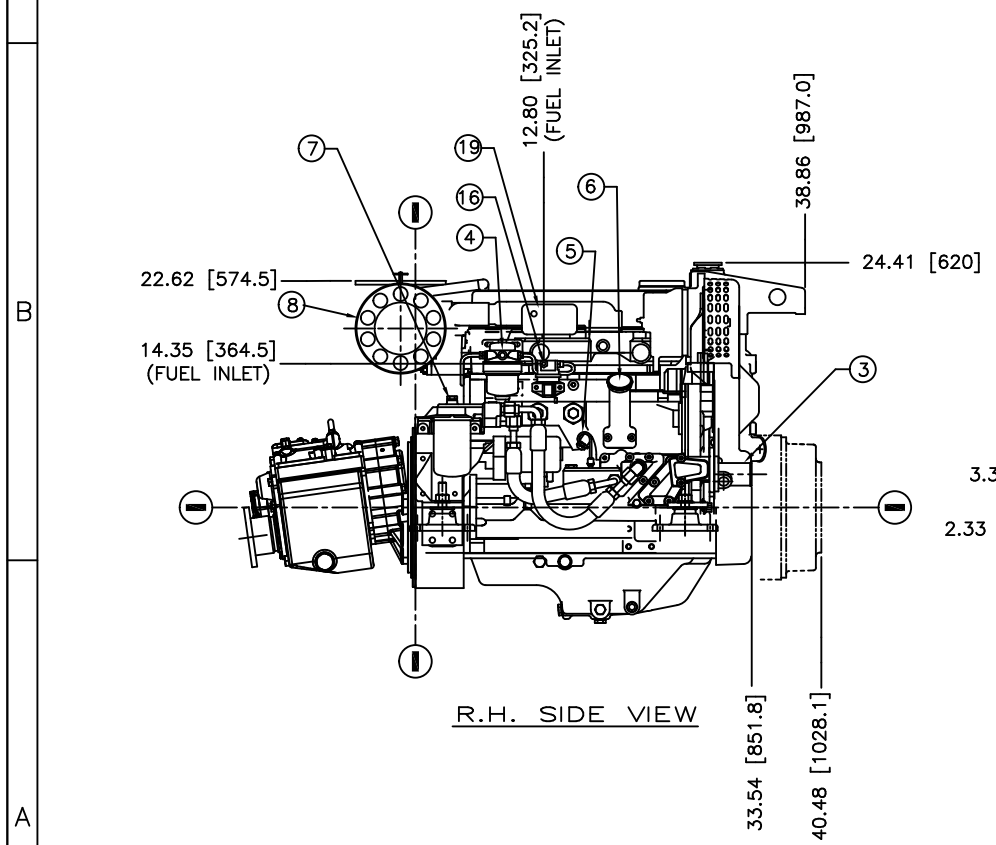
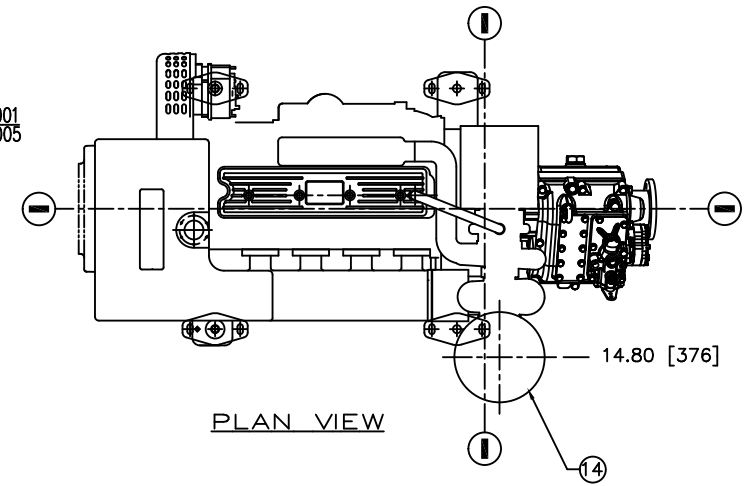
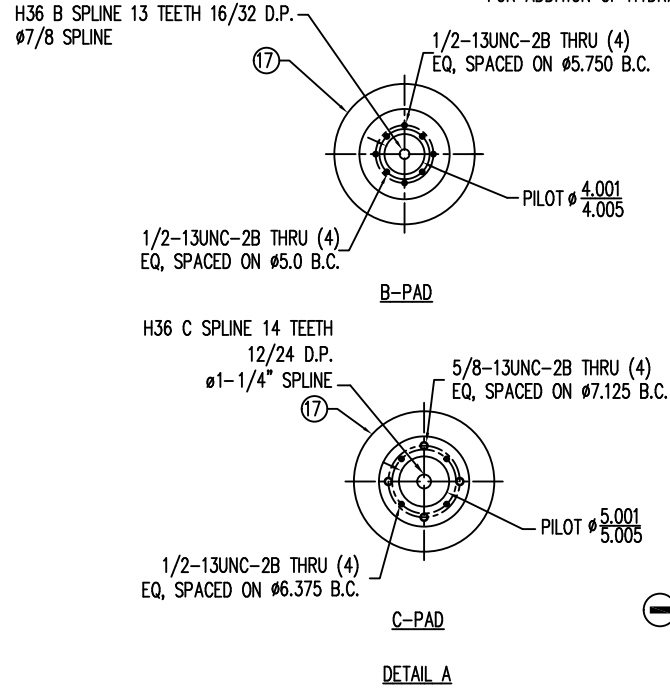
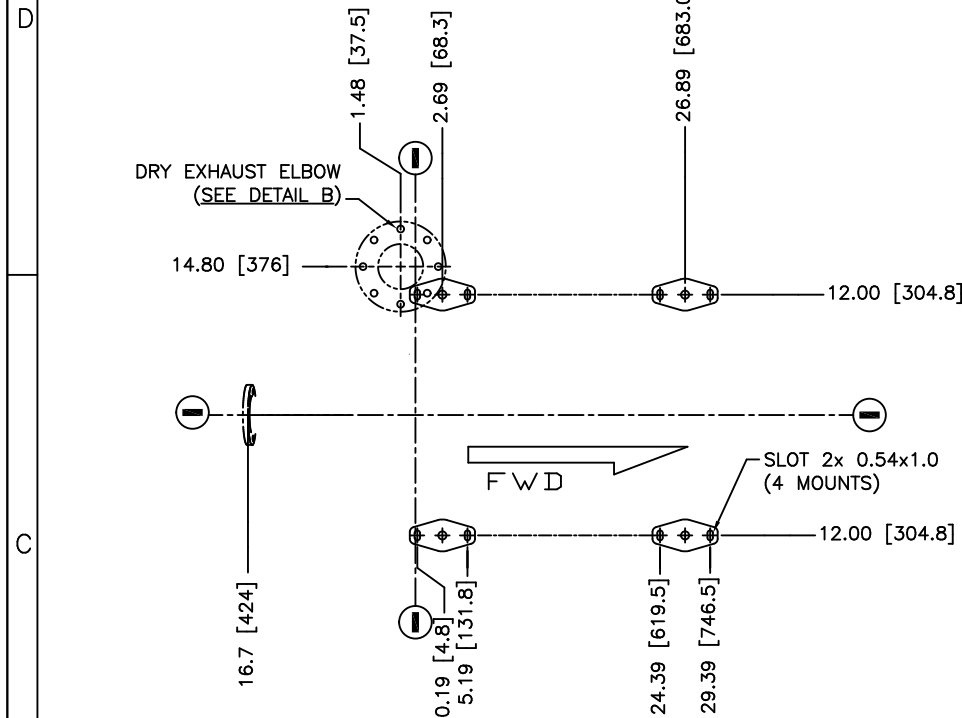


MODEL	APPROX WET WT. lbs (kg)	CENTER of GRAVITY FROM REAR FACE OF FLYWHEEL HSG.		
		A	B	C
L1064T- KC/PRM750A	1551 (703.5)	11.9 (303)	3.0 (76)	1.3 (33)

NOTE:
 1) CENTER OF GRAVITY VALUES DO NOT INCLUDE PTO/CLUTCH ASSY.
 2) PTO ADAPTER/CLUTCH ASSY (ONLY) WEIGHS APPROX. 96lbs (43.5 kg)
 3) CUSTOMER MUST RECALCULATE CG FOR ADDITION OF HYDRAULIC PUMP.

LEGEND		LEGEND	
ITEM	DESCRIPTION	ITEM	DESCRIPTION
1	EXPANSION TANK	12	ALTERNATE DIPSTICK LOCATION (OPTION)
2	COOLANT FILL	13	GEAR OIL COOLER
3	ADAPTOR, KEEL COOLER INLET, $\phi 2.38$ [$\phi 60.4$]	14	DRY EXHAUST ELBOW 4" 150# STD. FLG
4	FUEL FILTER	15	FUEL RETURN, 1/4-37 TUBE, MALE
5	CRANKCASE OIL DIPSTICK	16	FUEL INLET, 1/8" NPT FEMALE
6	CRANKCASE OIL FILLER	17	PTO/CLUTCH MTG FACE, SAE J744C, B OR C, 2 AND 4 BOLT (OPTION)
7	CRANKCASE OIL FILTER	18	CONNECTION FOR WATER HEATER B= HOT WATER OUT A= RETURN TO ENGINE. (OPTION)
8	AIR INLET FILTER	19	CIRCUIT BREAKER / RELAY BOX
9	ADAPTER, KEEL COOLER OUTLET, $\phi 2.38$ [$\phi 60.4$]		
10	ENGINE OIL DRAIN		
11	FLEX MOUNTS (OPTION)		



THE DIMENSIONS ON THIS DRAWING ARE SUBJECT TO CHANGE PLEASE CONTACT NORTHERN LIGHTS TO BE SURE YOU HAVE THE MOST CURRENT REVISION.

PROPRIETARY AND CONFIDENTIAL
 THE INFORMATION CONTAINED IN THIS DRAWING IS THE SOLE PROPERTY OF NORTHERN LIGHTS. ANY REPRODUCTION IN PART OR AS A WHOLE WITHOUT THE WRITTEN PERMISSION OF NORTHERN LIGHTS IS PROHIBITED.

SYMBOL	DATE	DESCRIPTION	BY	CHECKED
REVISIONS				
DRAWN:	LTP	1/15/13		
CHECKED:				
APPROVED:				
SCALE:	1:10 (.1" = 1")			
RELEASED:				
SHEETS:	1 OF 1			
UNITS OF MEASURE:	INCH [MM]			
REVISE ON CAD ONLY		TITLE:	INSTALLATION DIMENSIONS	
		L1064T - K.C. / PRM750A		REV.:
		DWG. NO.:	D-4632	