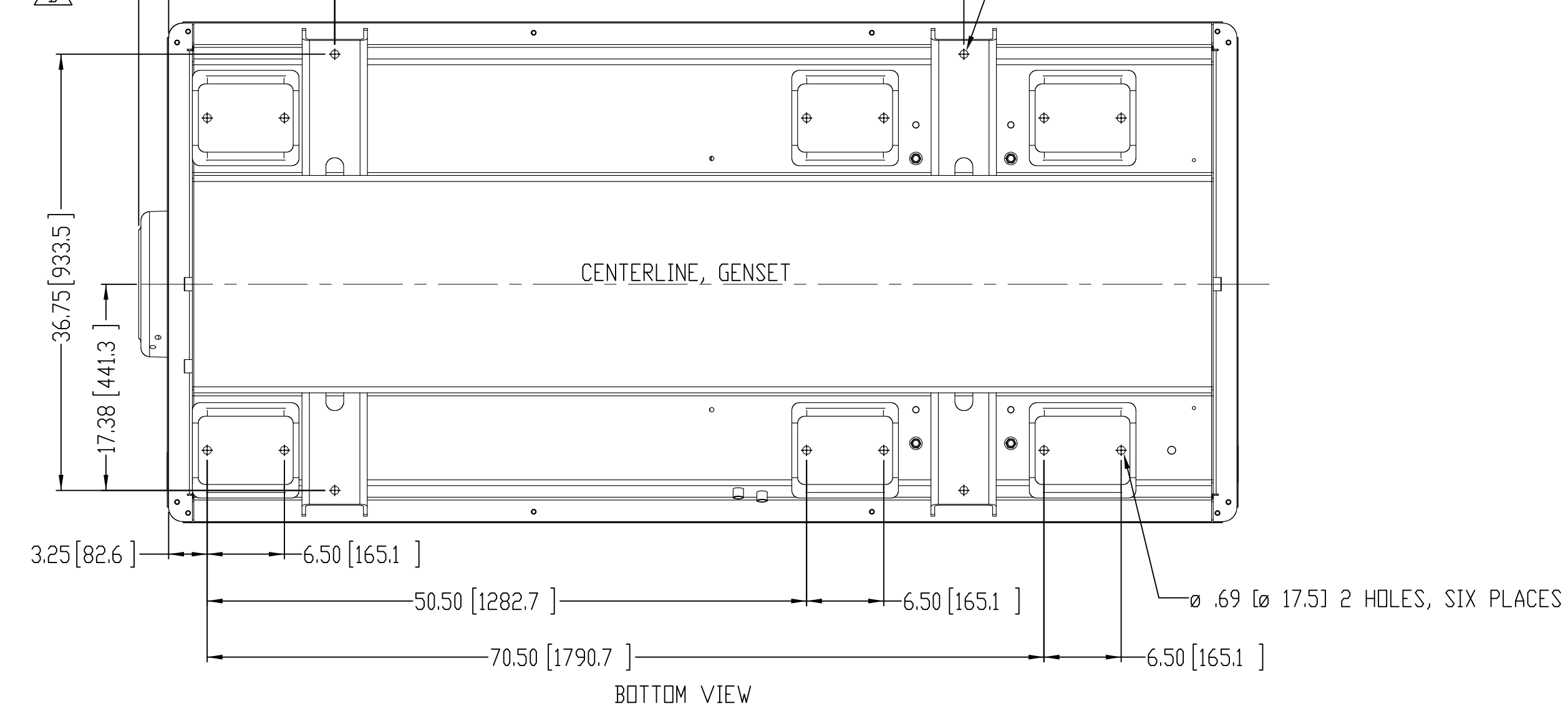
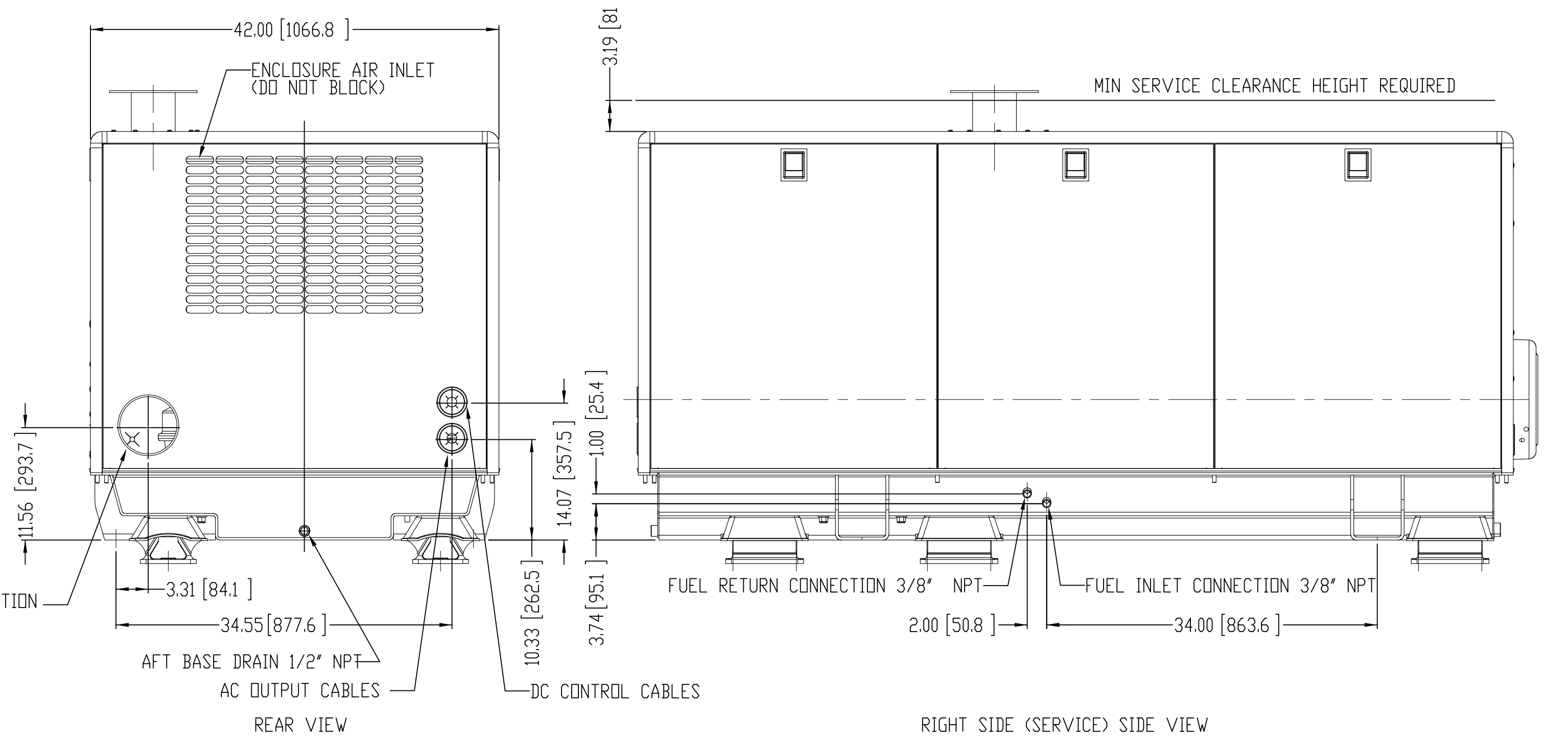
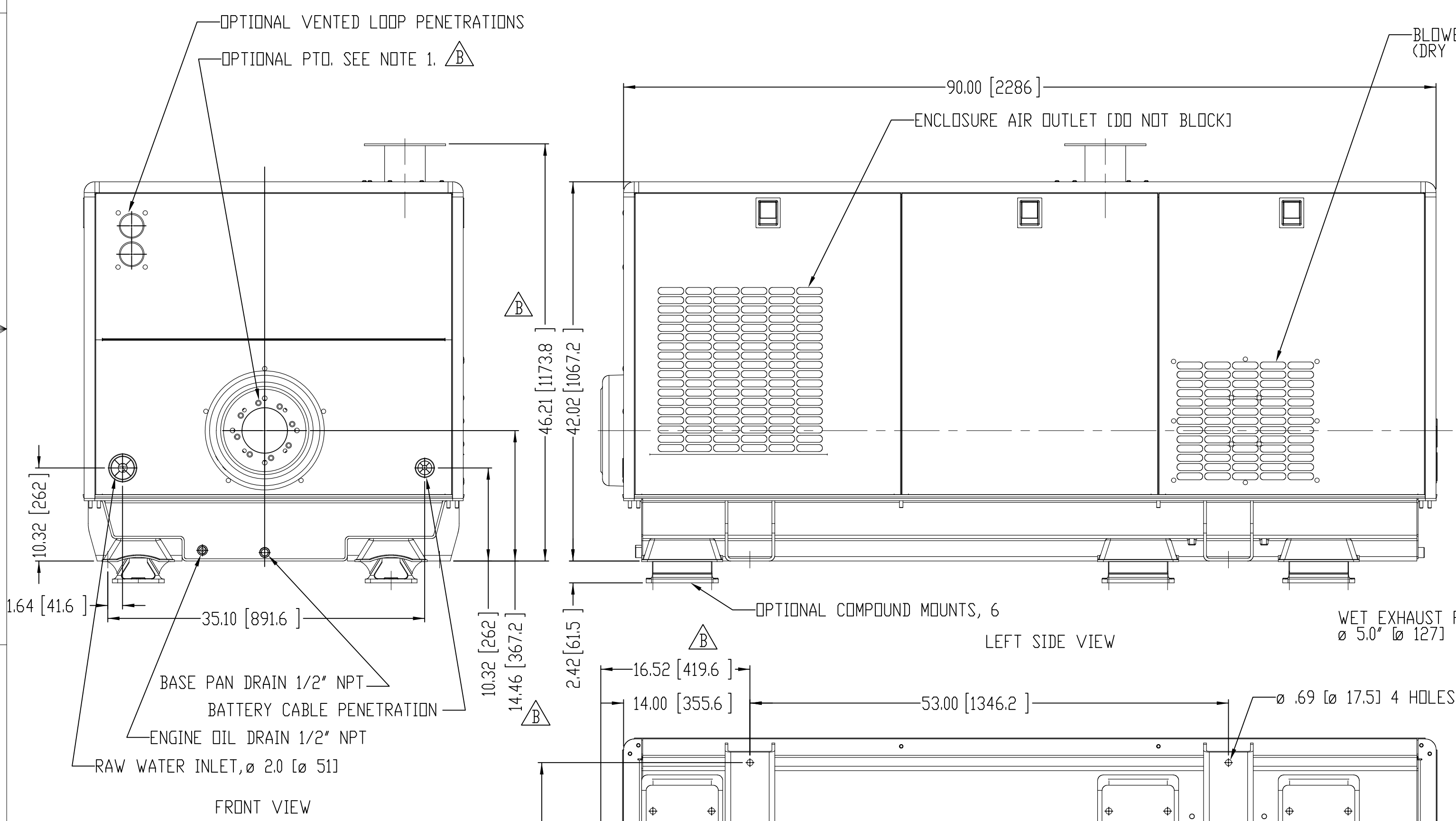
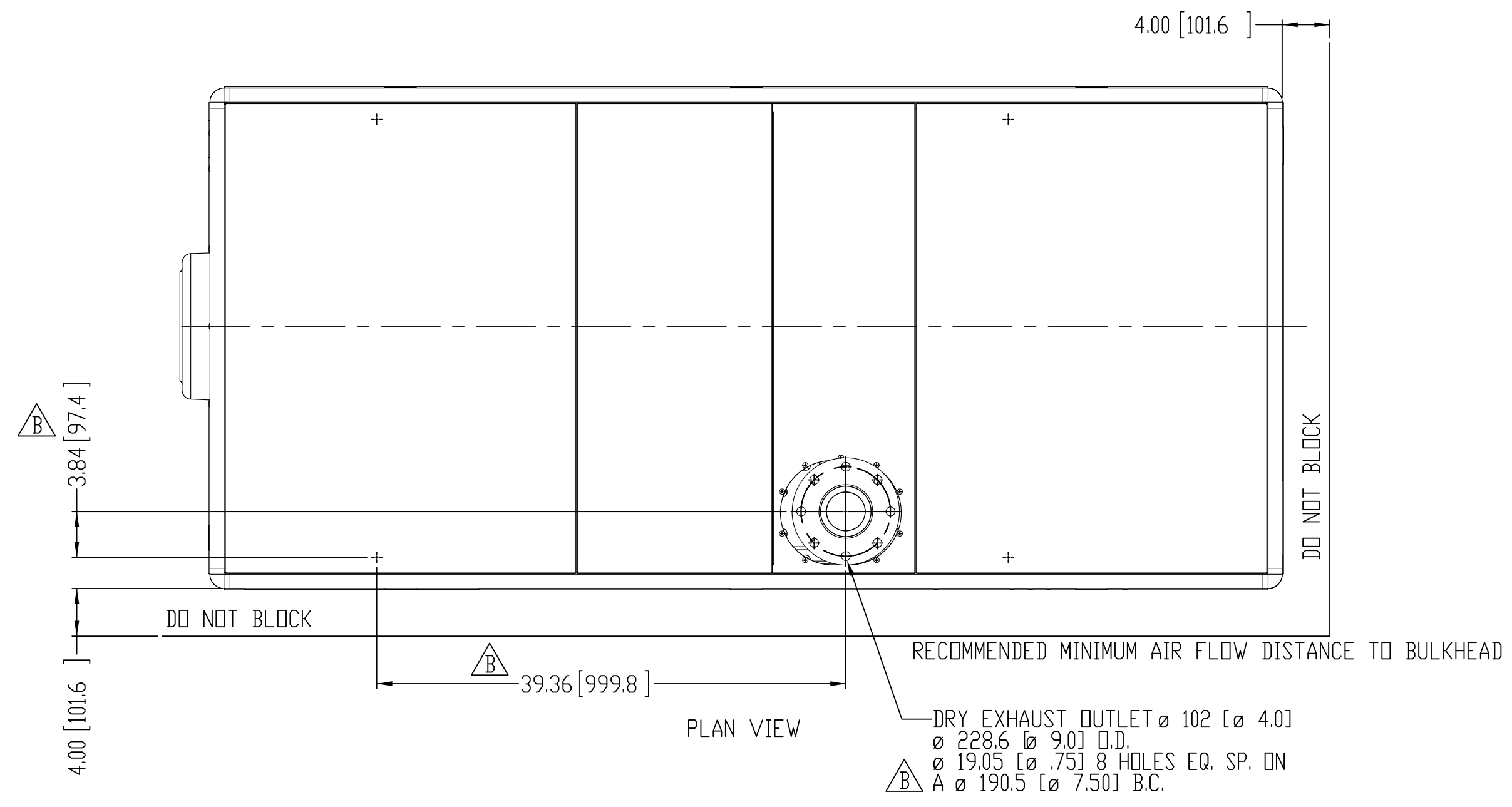


APPLICATION (GENSET +SOUND SHIELD)	EST. WET WT (lbs)(Kil)
M1066H.1L 185kW 1800 RPM 3 $\emptyset$	4212 [1191]
M1066H.3L 155kW 1500 RPM 3 $\emptyset$	4212 [1191]
M1066H.52L 165kW 1500 RPM 3 $\emptyset$	4212 [1191]

NOTES:  
 1. OPTIONAL PTD PUMP MOUNTING FACE.  
 C-SPLINE 14T 12/24 D.P.  $\emptyset$  1-1/4" SPLINE.  
 5/8-13UNC-2B THRU (4) EQ. SP. DN  $\emptyset$  7.1258 B.C.  
 & 1/2-13UNC-2B THRU (4) EQ. SP. DN  $\emptyset$  6.375 B.C.  
 PILOT BORE:  $\emptyset$  127.00/126.94 [  $\emptyset$  5.000/4.998 ]



REV.	DESCRIPTION	DATE	BY	CHECKED
C	UPDATE APPLICATIONS TABLE, REMOVED ALL M1066A REFERENCE TO SEPARATE DRAWING, FILED UNDER ECN#3266	4/24/2015	LTP	TAH 5/5/2015
B	UPDATED DRAWING PER ECN#3261, ADDED OPTIONAL FEATURES AND RELATED DIMS.	4/22/2015	LTP	TAH 4/22/15
A	ADDED APPLICATIONS TABLE WITH WEIGHT, FILED UNDER ECN #2298	3/4/2013	LTP	

THIRD ANGLE PROJECTION

UNLESS OTHERWISE SPECIFIED, DIMENSIONS ARE IN MILLIMETERS

TOLERANCES:

ANGULAR: MACH = 0.5°

BEND = 10°

X = + 0.5

XX = + 0.3

INTERPRET GEOMETRIC TOLERANCING PER: ASME Y14.5M

MATERIAL:

FINISH:

DO NOT SCALE

NAME: LTP DATE: 3/17/13

CHECKED: ENG APPR: MFG APPR: QA COMMENTS:

**NORTHERN LIGHTS** 4420 14th AVE. N.W. Seattle, WA 98107 (206) 789-3880 www.northern-lights.com

TITLE: **INSTALLATION DIMENSIONS** M1066A/H

SIZE: D PART NO: D-4634 DWG NO: D-4634 REV: C

SCALE: 1:10 WEIGHT: SHEET 1 OF 1