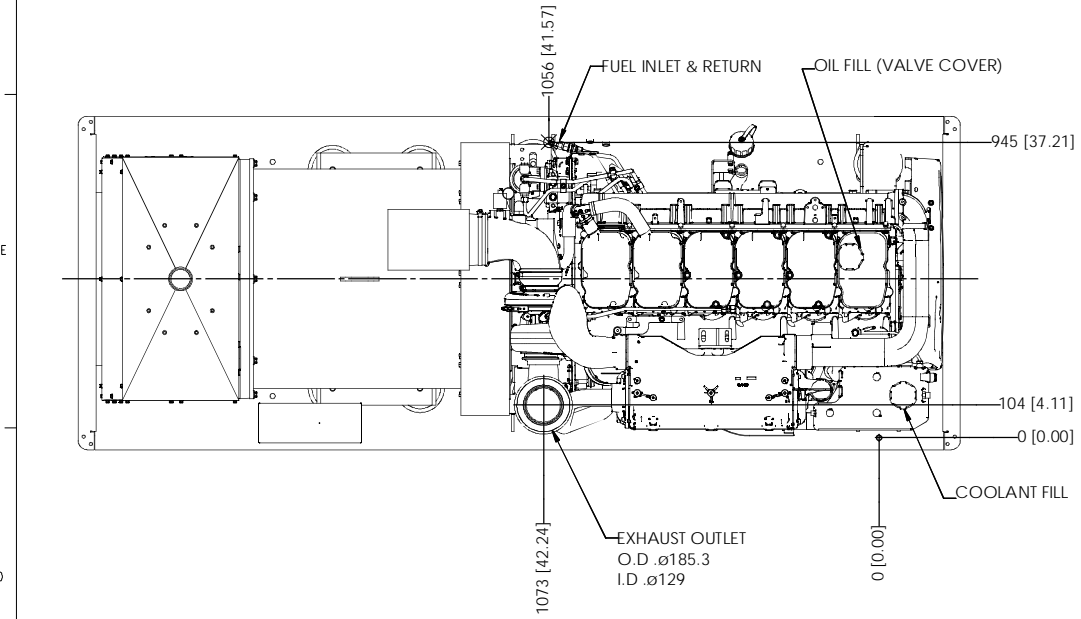
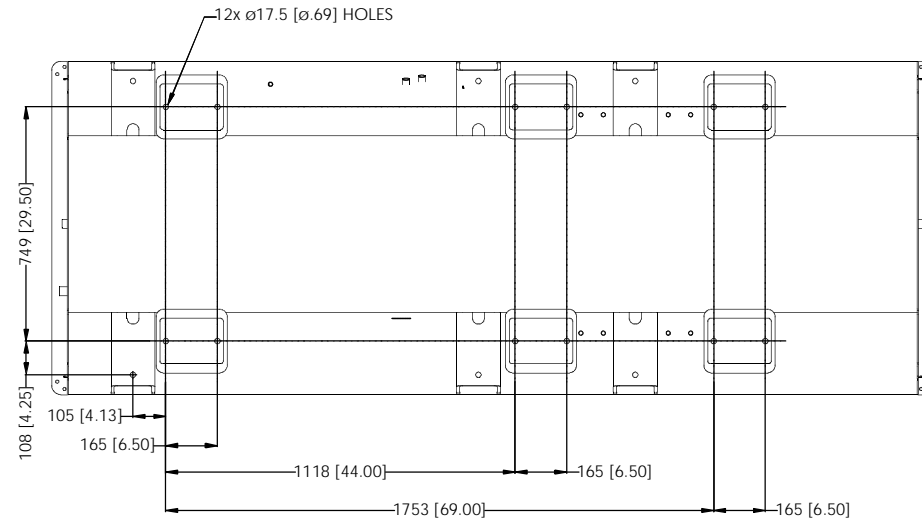


WEIGHT & C.G. TABLE					
MODELS	RATING	WEIGHT*	"A"	"B"	"C"
M1306A12.11	355 kW 3PH 1800 RPM	2880 kg [6350 LBS]	1118 [44.0]	457 [18.0]	553 [21.8]
M1306A12.51	300 kW 3PH 1500 RPM	2880 kg [6350 LBS]	1118 [44.0]	457 [18.0]	553 [21.8]
M1306A22.11	400 kW 3PH 1800 RPM	2880 kg [6350 LBS]	1118 [44.0]	457 [18.0]	553 [21.8]
M1306A22.51	350 kW 3PH 1500 RPM	3025 kg [6670 LBS]	1151 [45.3]	457 [18.0]	548 [21.6]
M1306A32.51	400 kW 3PH 1500 RPM	3048 kg [6720 LBS]	1158 [45.6]	457 [18.0]	548 [21.6]

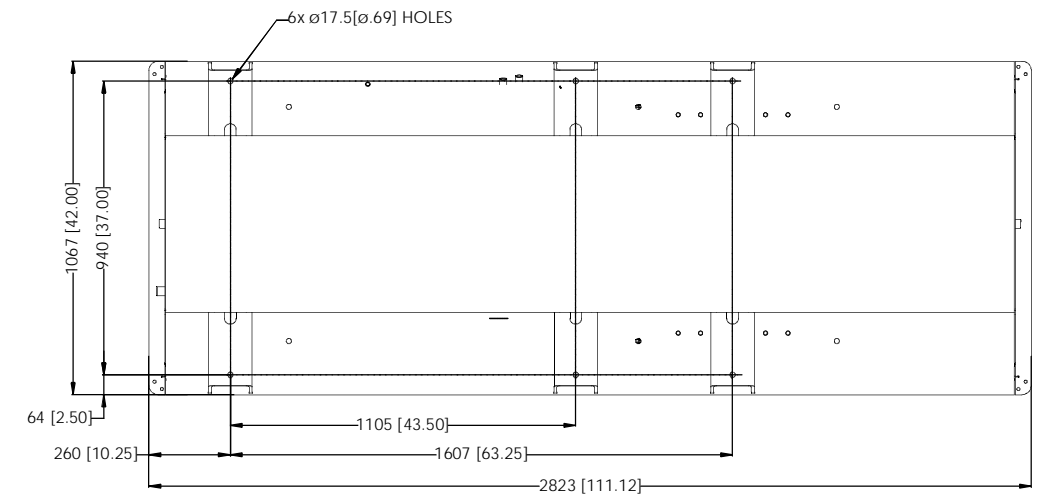
*WEIGHT INCLUDES OIL AND COOLANT.



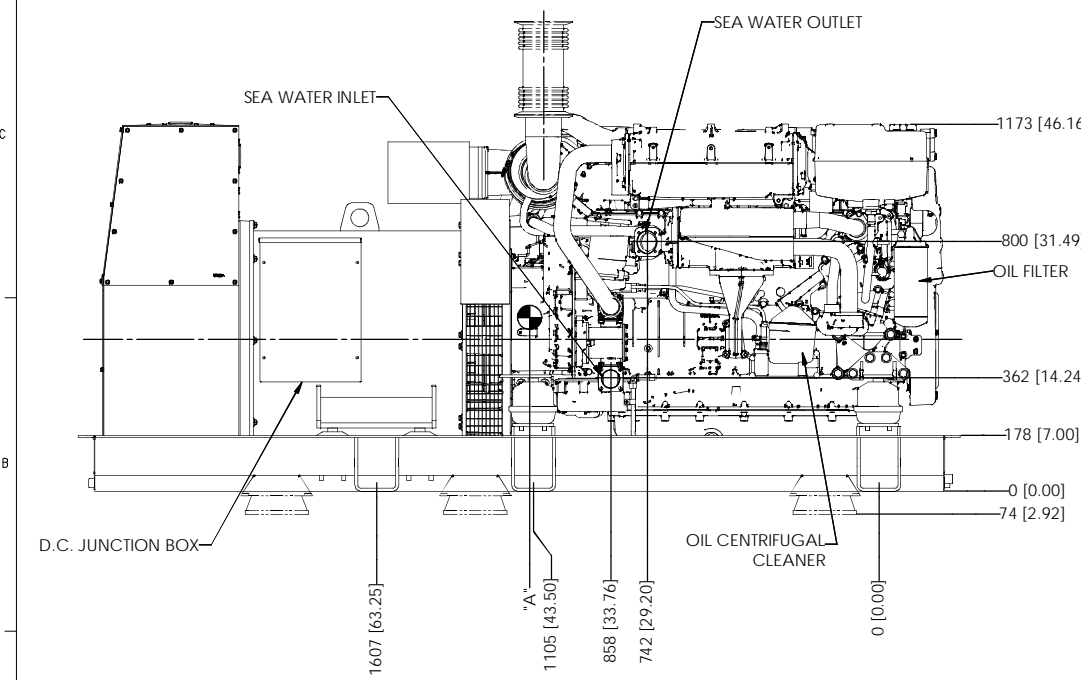
PLAN VIEW



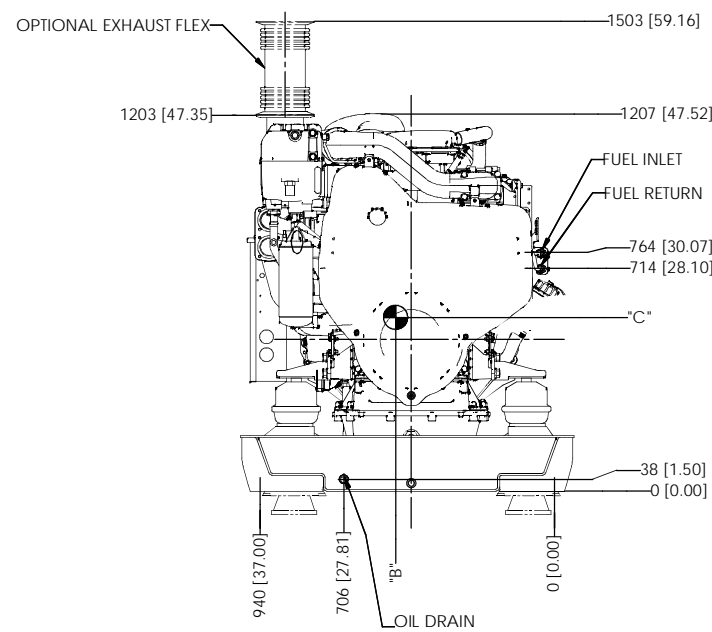
COMPOUND MOUNT BOLT PATTERN



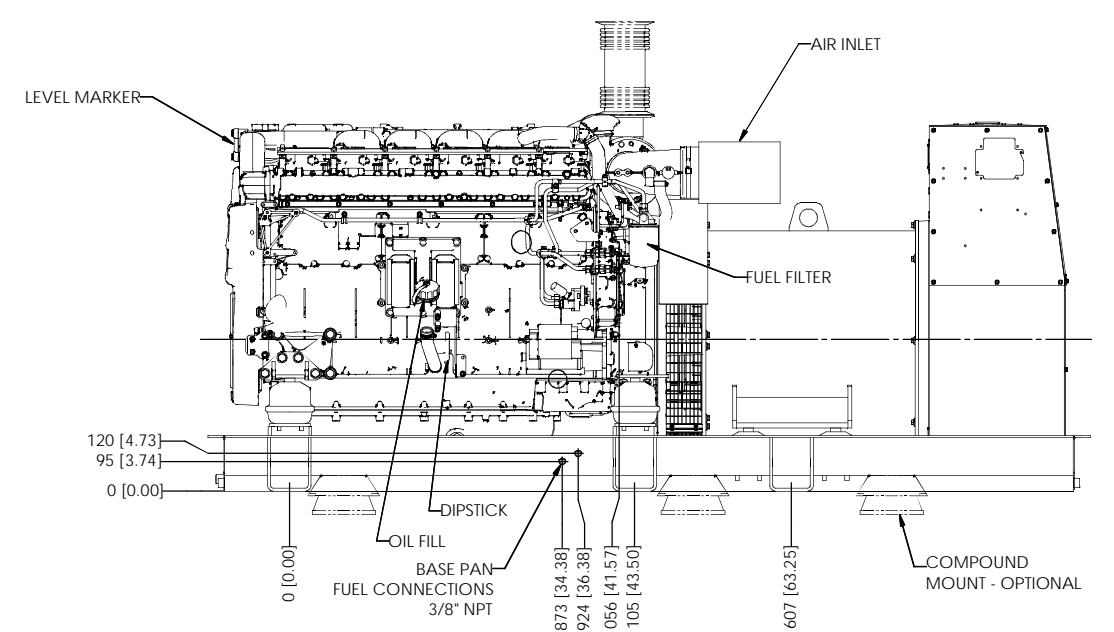
BASE PAN BOLT PATTERN



LEFT SIDE



FRONT VIEW



RIGHT SIDE

	UNLESS OTHERWISE SPECIFIED:	NAME	DATE	NORTHERN LIGHTS 4420 14th AVE. N.W. Seattle, WA 98107 (206) 789-3880 www.northern-lights.com
	DIMENSIONS ARE IN MILLIMETERS	DRAWN	MG	
	TOLERANCES:	CHECKED	TH	04/17/13
	ANGULAR:	ENG APPR.		
	MACH ± 0.5° BOND ± 1.0°	MFG APPR.		
	R ± 0.2°	D.A.		
	K ± 0.13	COMMENTS:		
	INTERPRET GEOMETRIC TOLERANCING PER: ASME Y14.5M			
PROPRIETARY AND CONFIDENTIAL THE INFORMATION CONTAINED IN THIS DRAWING IS THE SOLE PROPERTY OF NORTHERN LIGHTS. ANY REPRODUCTION IN PART OR AS A WHOLE WITHOUT THE WRITTEN PERMISSION OF NORTHERN LIGHTS IS PROHIBITED.	MATERIAL			
	FINISH			
	DO NOT SCALE			

TITLE: INSTALLATION DIMENSIONS		M1306A	
SIZE	PART NO.	DWG. NO.	REV
D		D-4640	
SCALE: 1:12	WEIGHT: XX	SHEET 1 OF 1	