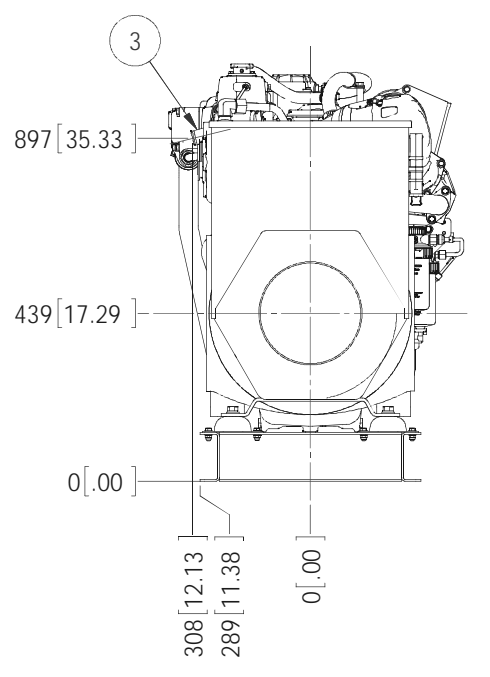
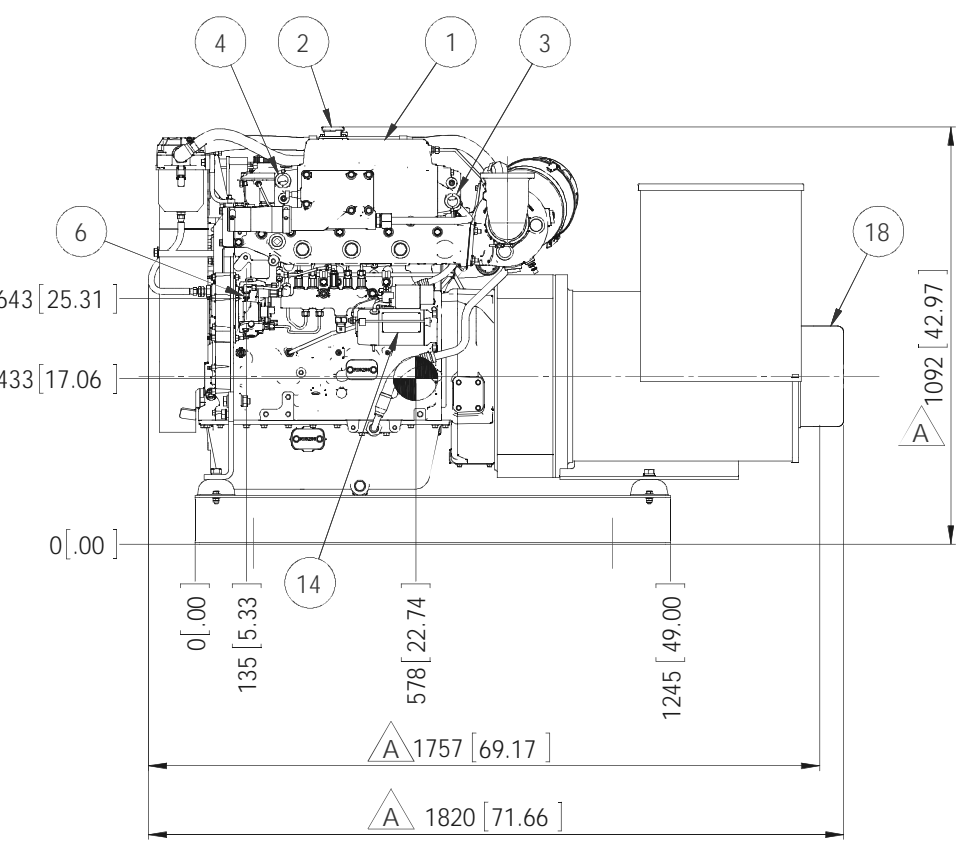
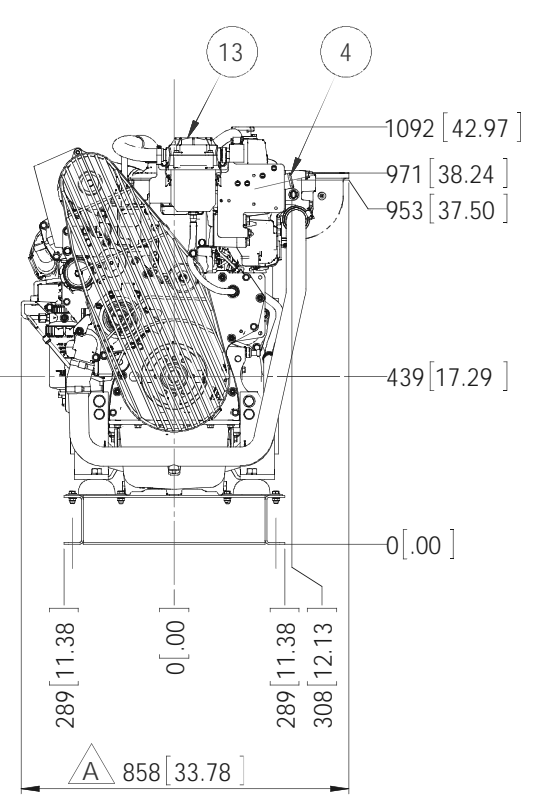
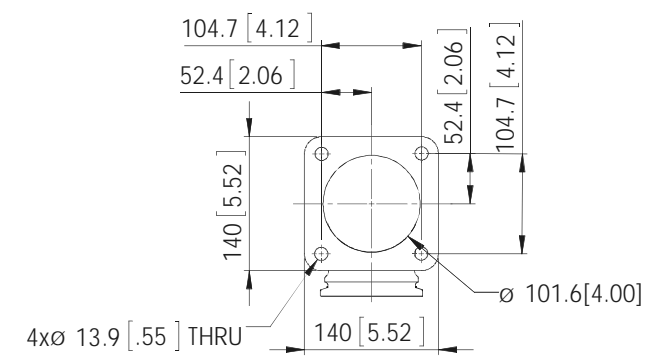
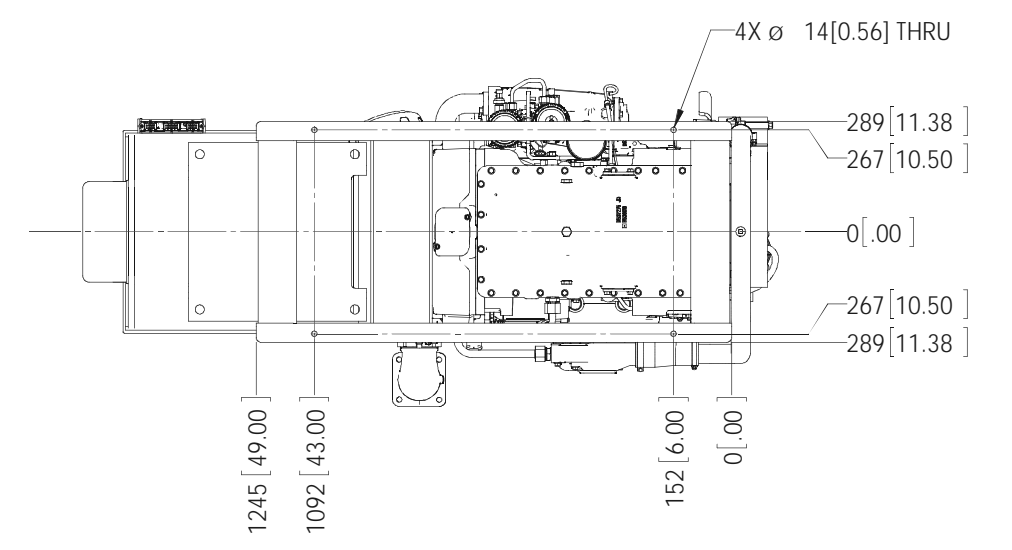
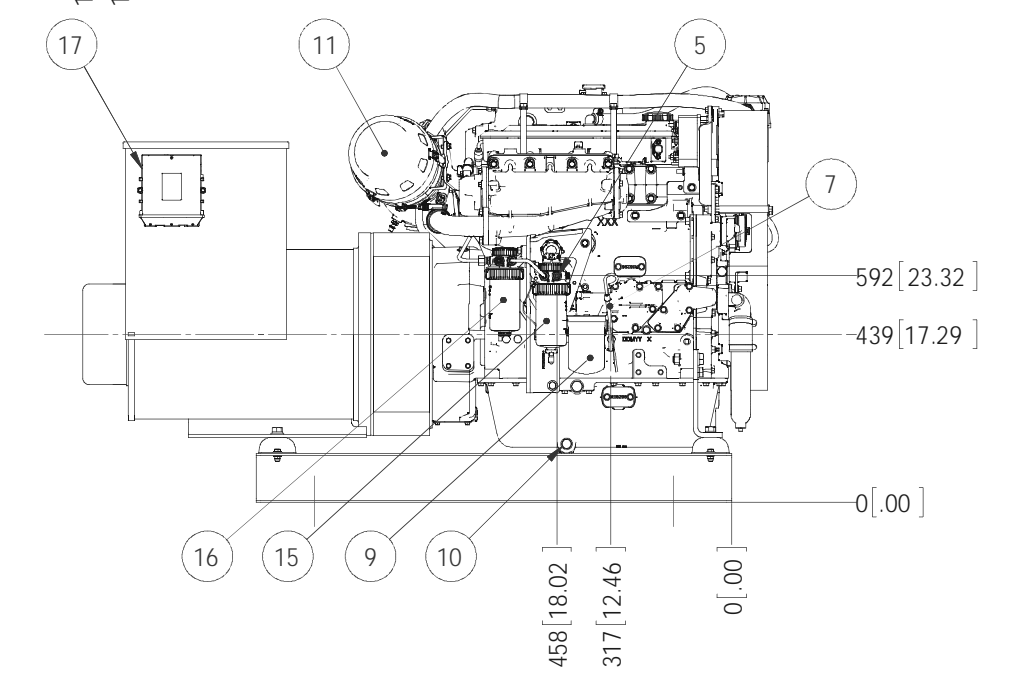
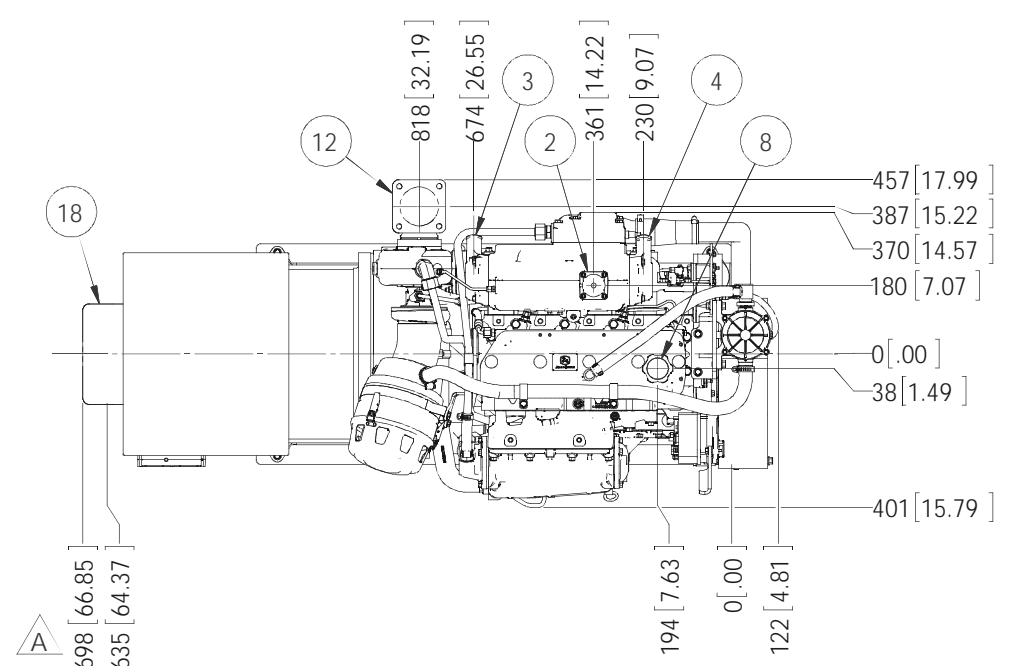


MODELS	APPROX. WT. lbs [kg]
M99C13.2S 99KW 1800 RPM 60Hz 3 \emptyset	2565 [1164]

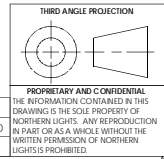
ITEM	DESCRIPTION
1	EXPANSION TANK
2	COOLANT FILL
3	COOLANT INLET \emptyset 1.5 H.B.
4	COOLANT OUTLET \emptyset 1.5 H.B.
5	FUEL SUPPLY \emptyset 3/8 H.B.
6	FUEL RETURN \emptyset 1/4 H.B.
7	CRANKCASE OIL DIPSTICK
8	CRANKCASE OIL FILLER
9	CRANKCASE OIL FILTER
10	ENGINE OIL DRAIN - M18x1.5
11	AIR INLET FILTER
12	OPTIONAL DRY EXHAUST ELBOW - SEE DETAIL
13	CLOSED CRANKCASE VENTILATION SYSTEM
14	ELECTRIC STARTER
15	PRIMARY FUEL FILTER
16	FINAL FUEL FILTER
17	ENGINE CONTROL UNIT
18	OPTIONAL PMG



NOTE:
1. FOR M99C13 WITH OPTIONAL PTO, SEE DRAWING D-4775.

THE DIMENSIONS ON THIS DRAWING ARE SUBJECT TO CHANGE. PLEASE CONTACT NLI TO BE SURE YOU HAVE THE MOST CURRENT REVISION.

REV.	DESCRIPTION	DATE	BY	CHECKED
A	ADDED OVERALL DIMENSIONS. NOTED DRY EXHAUST ELBOW IS OPTIONAL AND ADDED DIMENSION FOR GENERATOR W/PMG AND ADDED NOTE 1. ECN #2794	7/8/2014	MG	TAH



UNLESS OTHERWISE SPECIFIED:	NAME	DATE
DIMENSIONS ARE IN MILLIMETERS	MG	08/06/13
TOLERANCES		
ANGULAR		
MACH ± 0.5° BEND ± 1.0°		
X ± 0.3		
X.X ± 0.2		
INTERPRET GEOMETRIC TOLERANCING PER ASME Y14.5M		
MATERIAL		
FINISH		

NORTHERN LIGHTS
4420 14th AVE. N.W.
Seattle, WA 98107
(206) 789-3880
www.northern-lights.com

TITLE: **INSTALLATION DIMENSIONS M99C13.2S K.C. W/O OPTIONAL PTO**

SIZE: **D** PART NO.: **D-4693** DWG. NO.: **D-4693** REV: **A**

SCALE: 1:10 WEIGHT: SHEET 1 OF 1

DO NOT SCALE