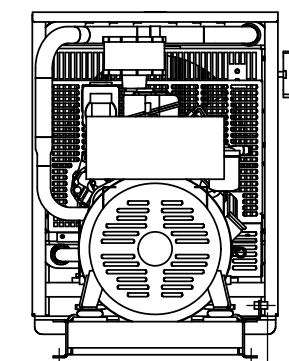
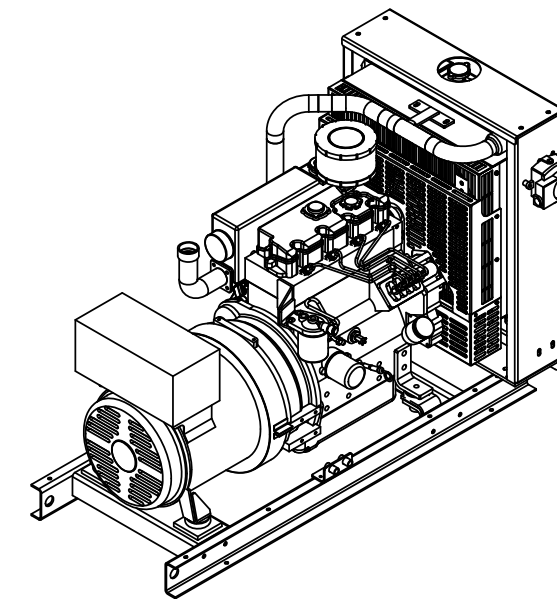
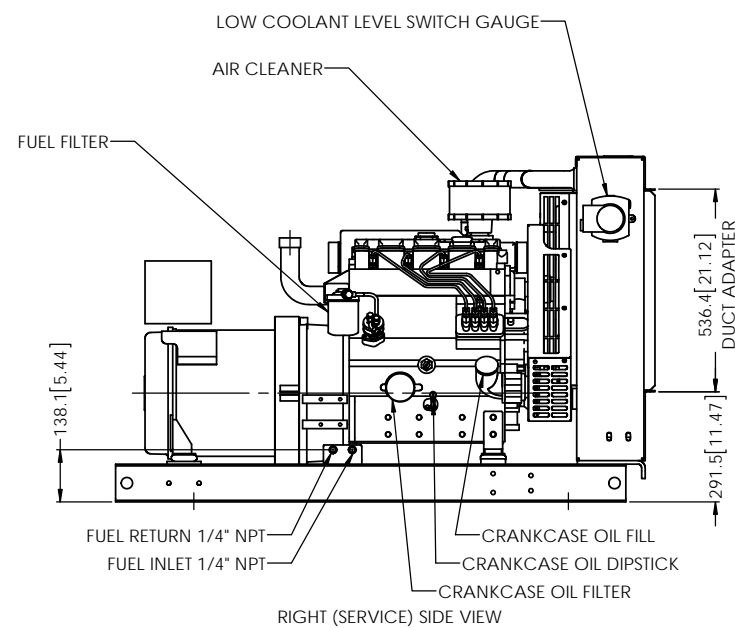


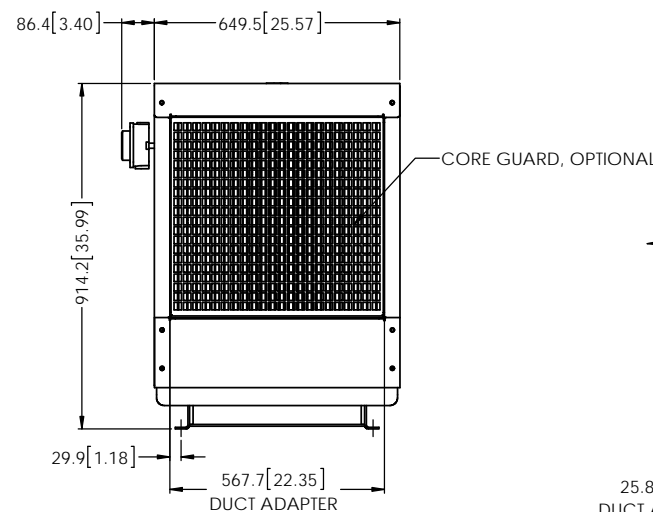
PLAN VIEW



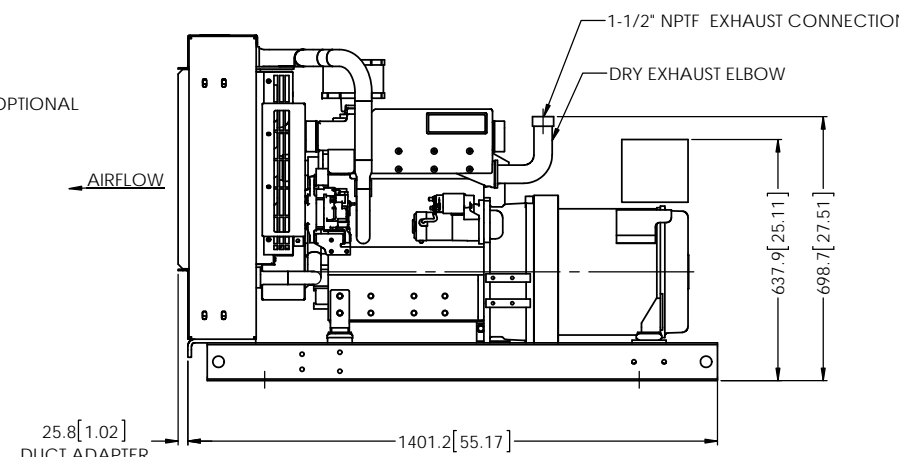
REAR VIEW



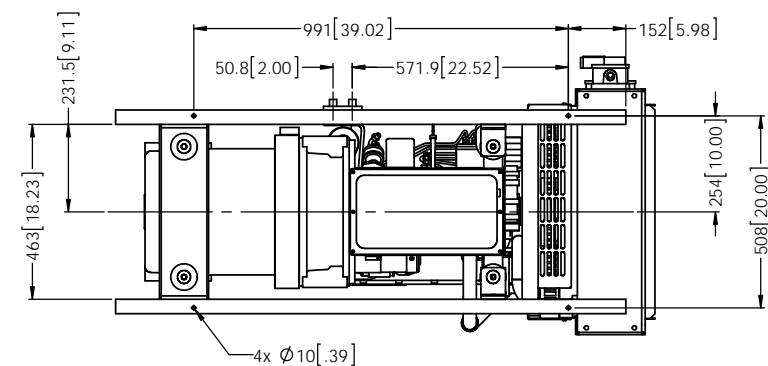
RIGHT (SERVICE) SIDE VIEW



FRONT VIEW

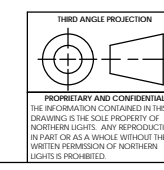


LEFT SIDE VIEW



BOTTOM VIEW

TOTAL WEIGHT, WET: 513.5 KG [1132 lbs.]



PROPRIETARY AND CONFIDENTIAL
THE INFORMATION CONTAINED IN THIS
DRAWING IS THE SOLE PROPERTY OF
NORTHERN LIGHTS. ANY REPRODUCTION
IN PART OR AS A WHOLE WITHOUT THE
WRITTEN PERMISSION OF NORTHERN
LIGHTS IS PROHIBITED.

UNLESS OTHERWISE SPECIFIED:		NAME	DATE
DIMENSIONS ARE IN MILLIMETERS		LTP	3/6/14
TOLERANCES:		CHECKED	
ANGULAR:		ENG APPR:	
MACH ± 0.5*		MFG APPR:	
BEND ± 1.0*		Q.A.	
X - ± 0.5		COMMENTS:	
X.X - ± 0.3			
INTERPRET GEOMETRIC TOLERANCING PER ASME Y14.5M			
MATERIAL:			
FINISH:			
DO NOT SCALE			

		4420 14th AVE. N.W. Seattle, WA 98107 (206) 789-3800 www.northern-lights.com	
		TITLE: INSTALLATION DIMENSIONS M844LW3MCA	
SIZE	PART NO.	DWG. NO.	REV
D		D-4742	
SCALE: 1:10	WEIGHT:	SHEET 1 OF 1	