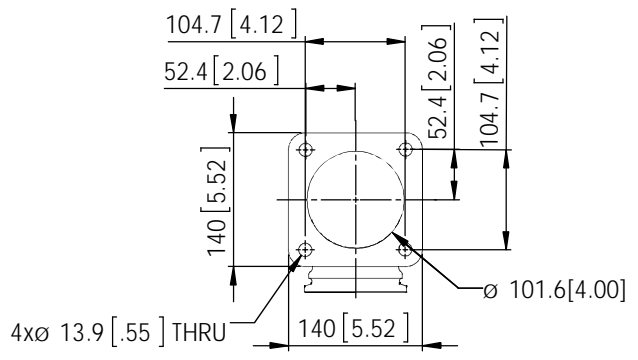
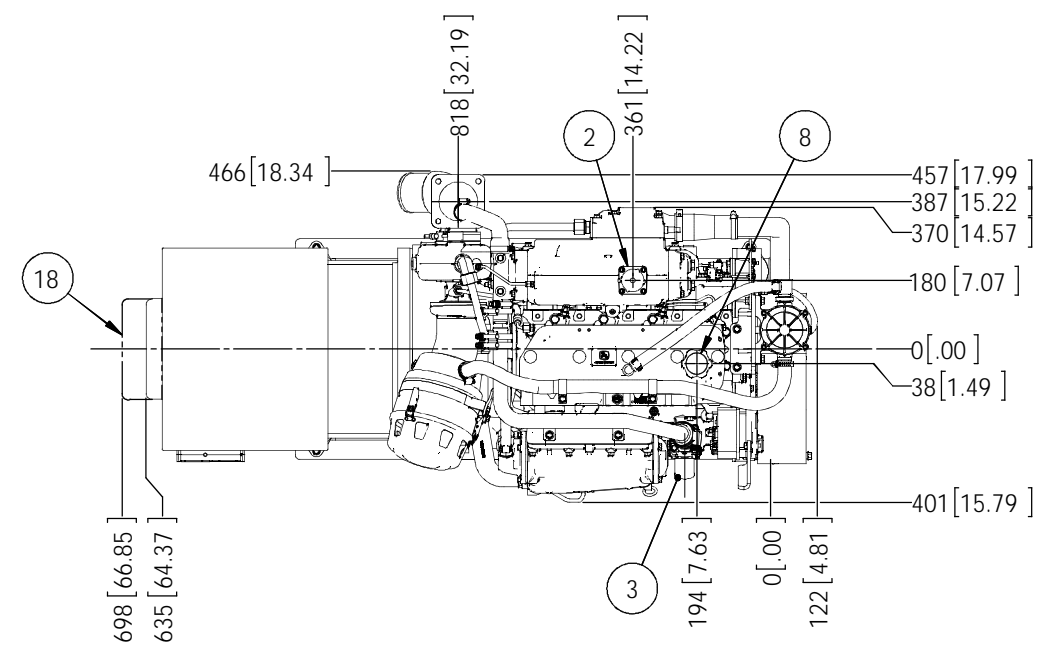
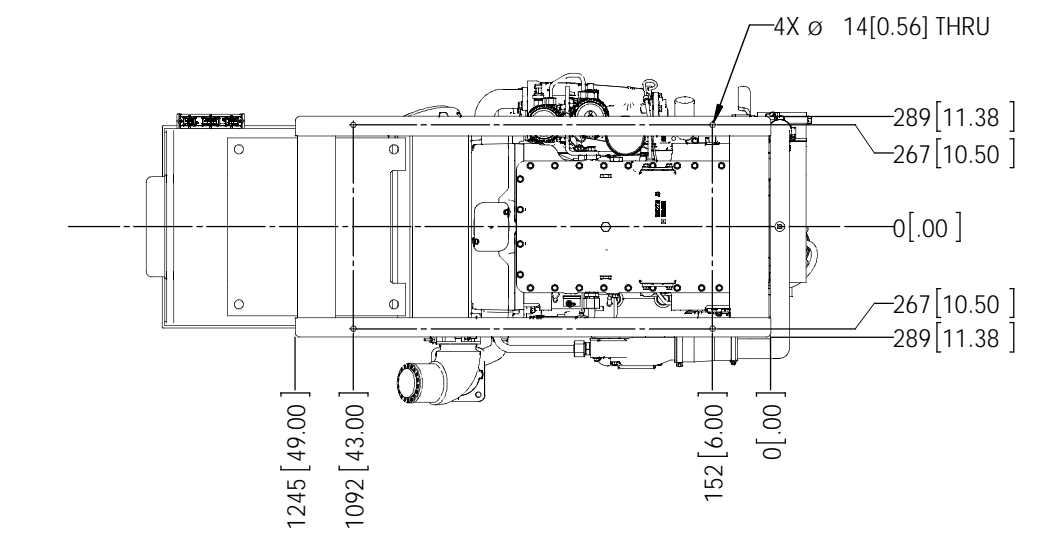
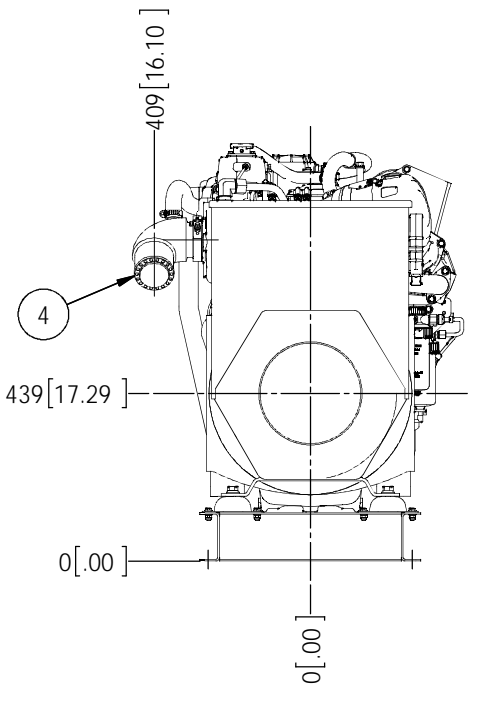
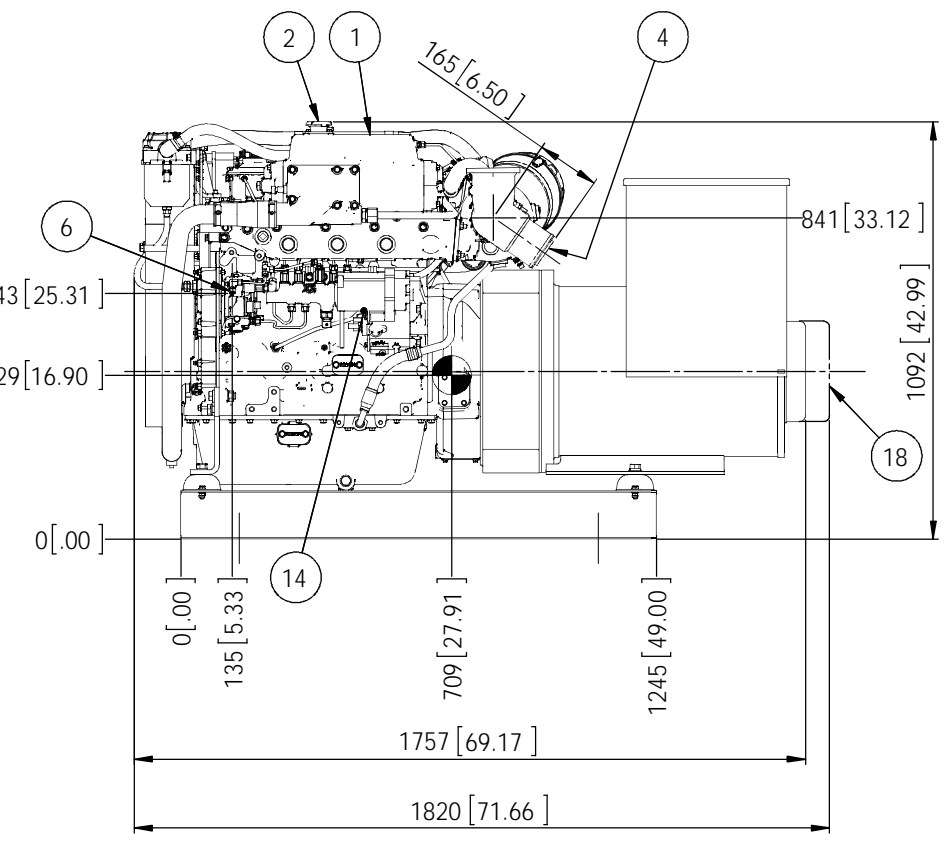
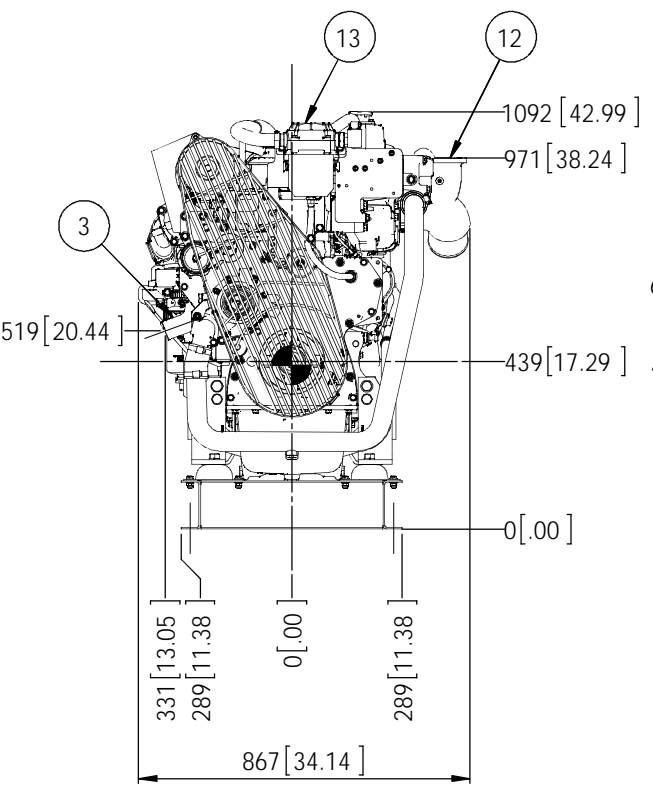
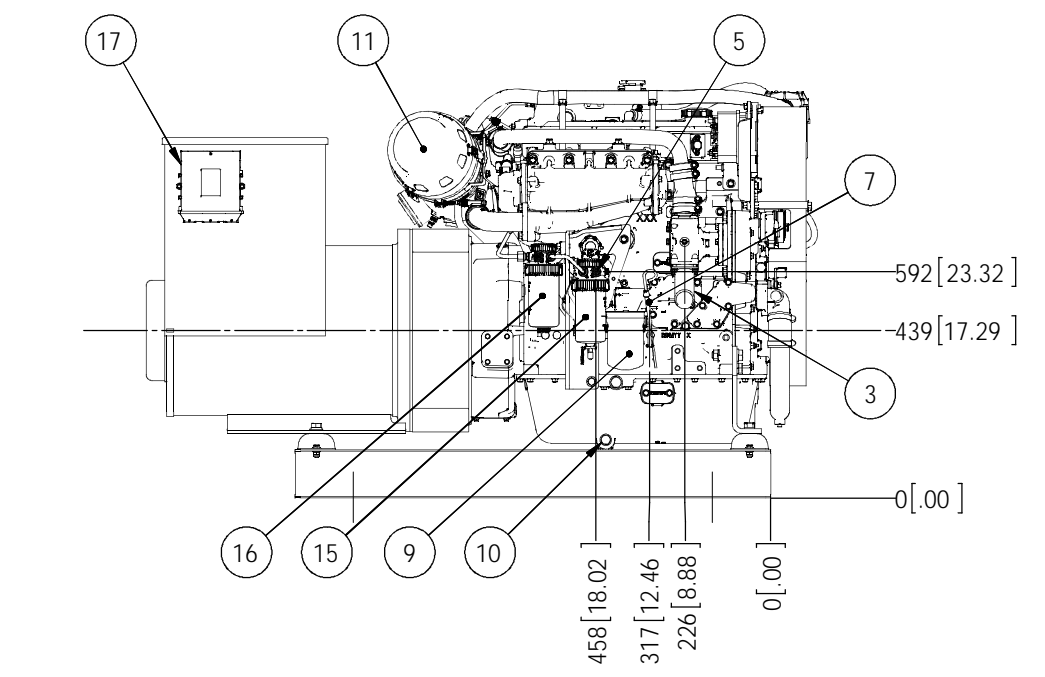


MODELS	APPROX. WT. lbs [kg]
M99C13.1S 99kW 1800 RPM 60Hz 3 ø	2585 [1172]

ITEM	DESCRIPTION
1	EXPANSION TANK
2	COOLANT FILL
3	SEAWATER INLET - ø 2.0 H.B.
4	OPTIONAL WET EXHAUST ELBOW - ø 4.0 H.B.
5	FUEL SUPPLY - ø 3/8 H.B.
6	FUEL RETURN - ø 1/4 H.B.
7	CRANKCASE OIL DIPSTICK
8	CRANKCASE OIL FILLER
9	CRANKCASE OIL FILTER
10	ENGINE OIL DRAIN - M18x1.5
11	AIR INLET FILTER
12	OPTIONAL DRY EXHAUST ELBOW - SEE DETAIL
13	CLOSED CRANKCASE VENTILATION SYSTEM
14	ELECTRIC STARTER
15	PRIMARY FUEL FILTER
16	FINAL FUEL FILTER
17	ENGINE CONTROL UNIT
18	OPTIONAL PMG

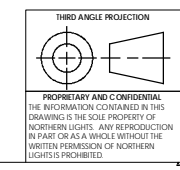


OPTIONAL DRY EXHAUST ELBOW FLANGE DETAIL



NOTE:
1. FOR M99C13 WITH OPTIONAL PTO, SEE DRAWING D-4777.

THE DIMENSIONS ON THIS DRAWING ARE SUBJECT TO CHANGE. PLEASE CONTACT NLI TO BE SURE YOU HAVE THE MOST CURRENT REVISION.



UNLESS OTHERWISE SPECIFIED, DIMENSIONS ARE IN MILLIMETERS		NAME	DATE	NORTHERN LIGHTS	4420 14th AVE. N.W. Seattle, WA 98107 (206) 789-3880 www.northern-lights.com
TOLERANCES: ANGULAR: MACH ± 0.5° BEND ± 1.0° X = 3 X.X = 2		MG	08/06/13		
INTERPRET GEOMETRIC TOLERANCING PER ASME Y14.5M		TAH	09/03/14	TITLE: INSTALLATION DIMENSIONS M99C13.1S H.E. W/O OPTIONAL PTO	
MATERIAL:		ENG APPR:		SIZE	DWG. NO.
FINISH:		MG APPR:		D	D-4776
DO NOT SCALE		COMMENTS:		SCALE: 1:10	WEIGHT:
				SHEET 1 OF 1	