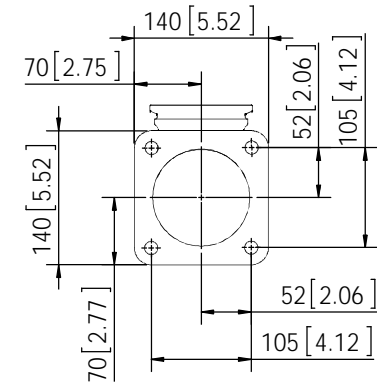
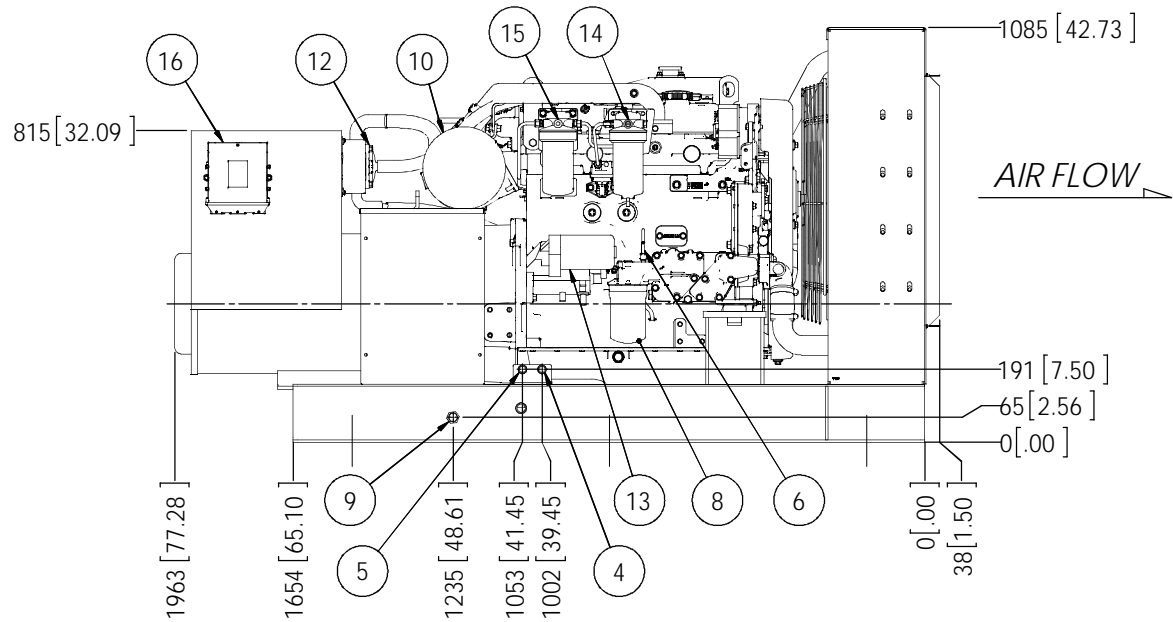


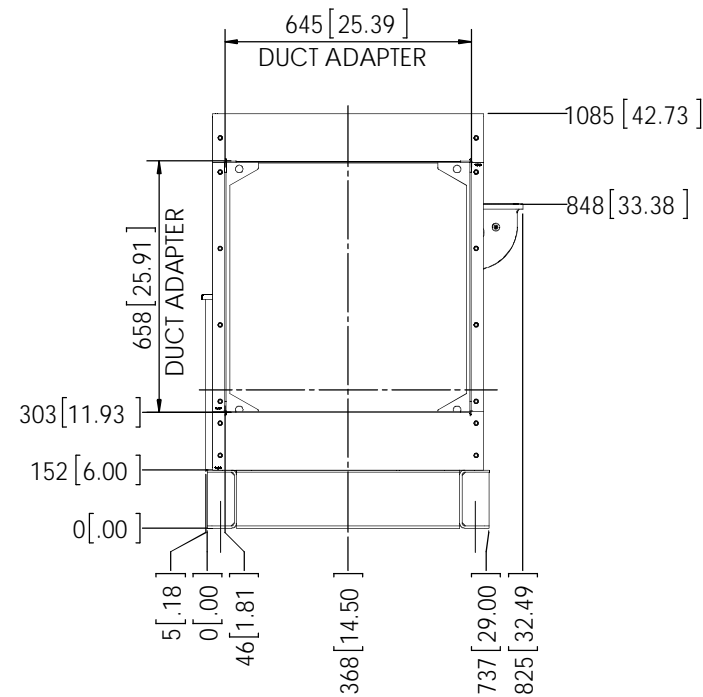
PLAN



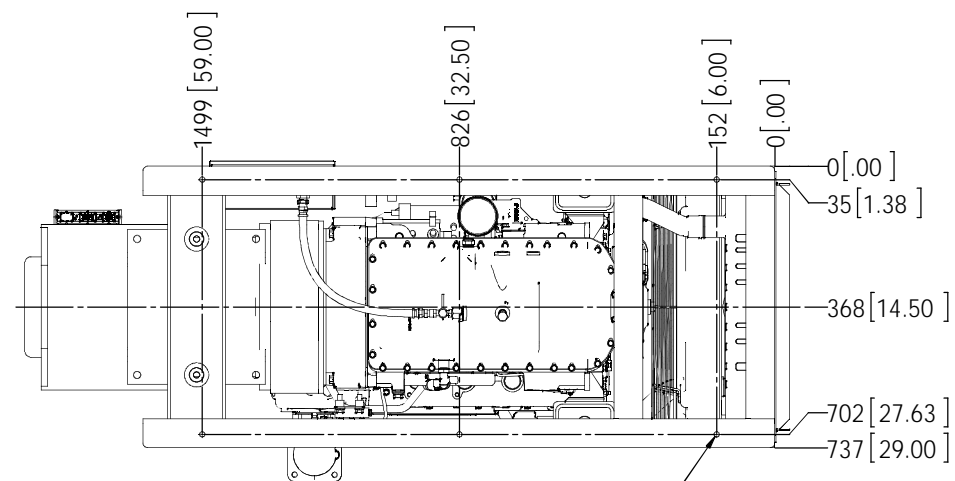
DRY EXHAUST ELBOW DETAIL



SERVICE SIDE



FRONT

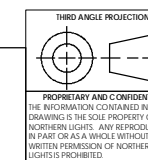


BOTTOM

| ITEM | DESCRIPTION |
|------|--|
| 1 | EXPANSION TANK/COOLED EXHAUST MANIFOLD |
| 2 | COOLANT FILL |
| 3 | D.C. JUNCTION BOX |
| 4 | FUEL INLET - 3/8 NPT |
| 5 | FUEL RETURN - 3/8 NPT |
| 6 | CRANKCASE OIL DIPSTICK |
| 7 | CRANKCASE OIL FILLER |
| 8 | CRANKCASE OIL FILTER |
| 9 | ENGINE OIL DRAIN - 1/2 NPT |
| 10 | AIR INLET FILTER |
| 11 | DRY EXHAUST ELBOW - SEE DETAIL |
| 12 | CLOSED CRANKCASE VENTILATION SYSTEM |
| 13 | ELECTRIC STARTER |
| 14 | PRIMARY FUEL FILTER |
| 15 | FINAL FUEL FILTER |
| 16 | ENGINE CONTROL UNIT |

NOTE:
1. EST. WEIGHT - WITH OIL, NO COOLANT: 2350 LBS [1066 kg]

THE DIMENSIONS ON THIS DRAWING ARE SUBJECT TO CHANGE. PLEASE CONTACT NLI TO BE SURE YOU HAVE THE MOST CURRENT REVISION.



| | | | | | |
|---|--|-----------|----------|--|---|
| UNLESS OTHERWISE SPECIFIED: | | NAME | DATE | NORTHERN LIGHTS | 4420 14th AVE. N.W. Seattle, WA 98107 (206) 789-3880 www.northern-lights.com |
| DIMENSIONS ARE IN MILLIMETERS | | MG | 09/02/14 | | |
| TOLERANCES: | | CHECKED | | TITLE: INSTALLATION DIMENSIONS M1064T13R.2S - EMERGENCY SET | |
| ANGULAR: MACH ± 0.5° BEND ± 1.0° | | ENG APPR | | | |
| X.X ± 2 X.X ± 1 | | MG APPR | | | |
| INTERPRET GEOMETRIC TOLERANCING PER ASME Y14.5M | | Q.A. | | SIZE | PART NO. |
| MATERIAL: | | COMMENTS: | | DWG. NO. | REV |
| FINISH: | | | | D-4793 | |
| DO NOT SCALE | | | | SCALE: 1:10 | WEIGHT: |
| | | | | | SHEET 1 OF 1 |