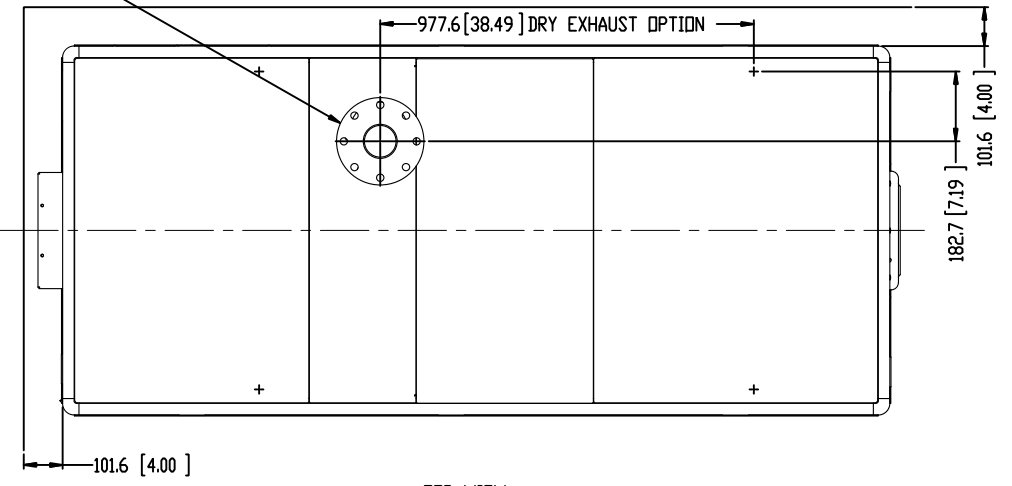
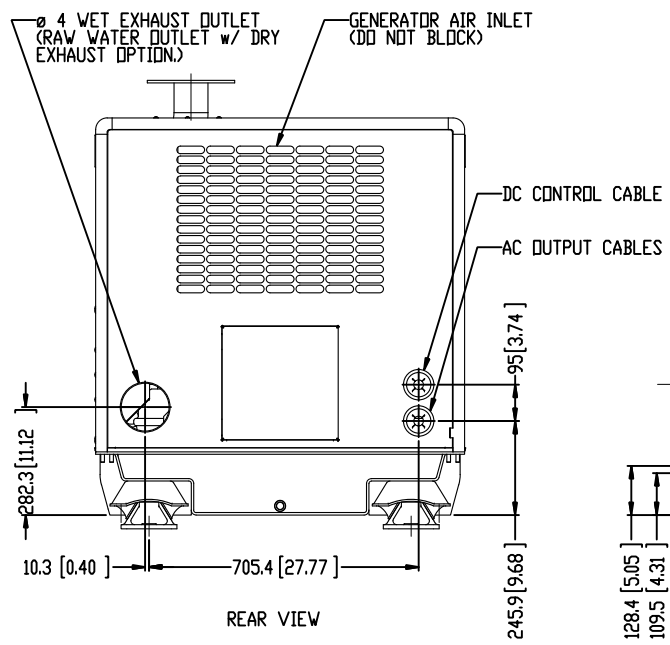


DRY EXHAUST OUTLET ϕ 102 [4.0]
 ϕ 19.05 [0.75] 8 HOLES EQ. SP. DN
 ϕ 190.5 [0.750] B.C.

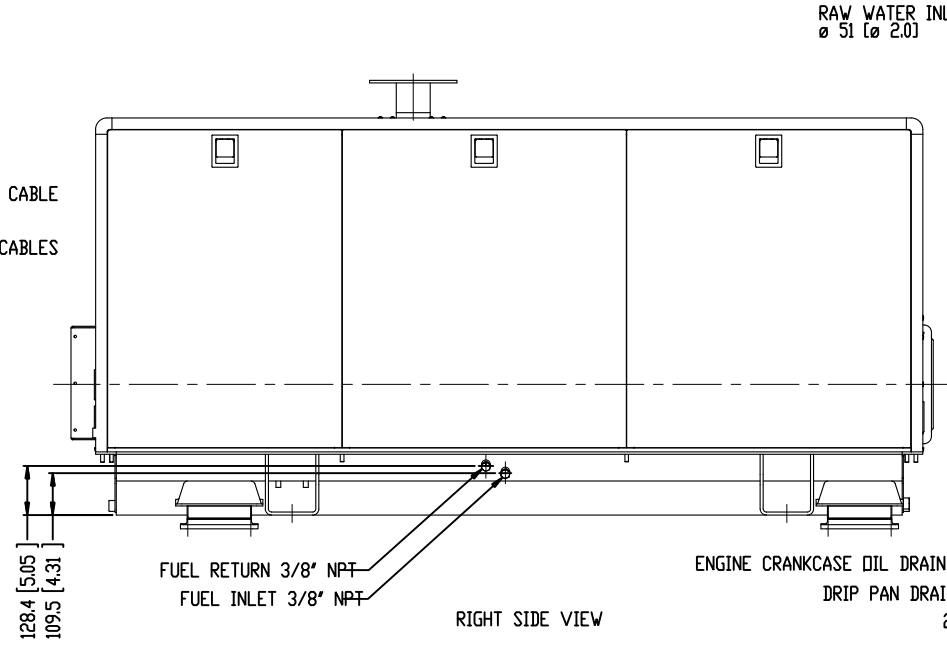
RECOMMENDED MINIMUM DISTANCE TO BULKHEAD FOR COOLING AIRFLOW



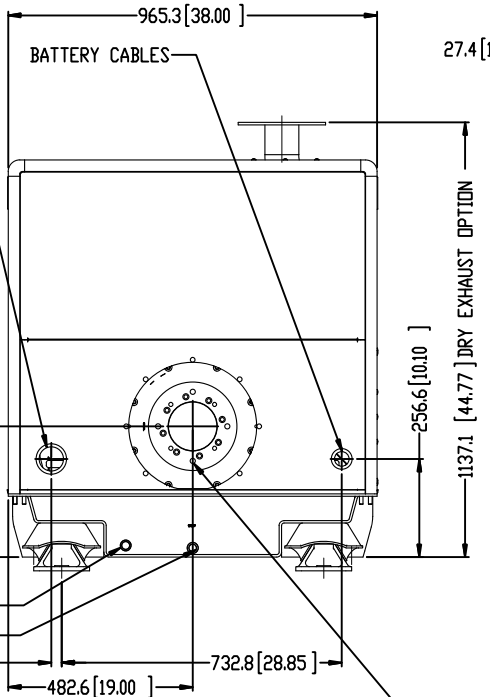
TOP VIEW



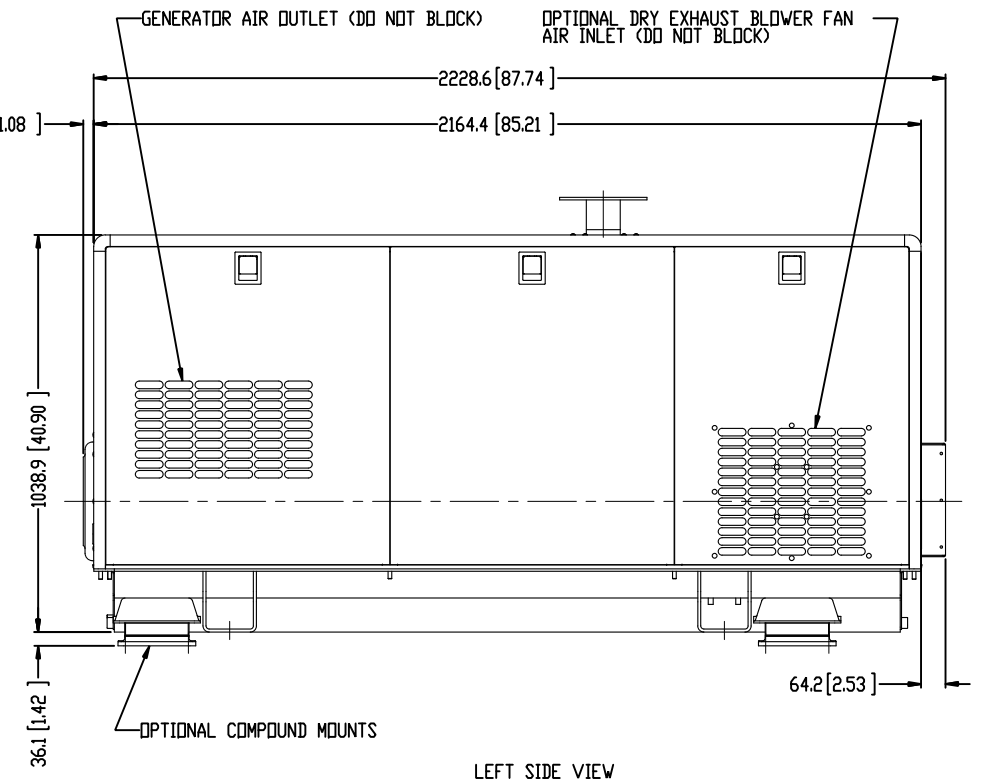
REAR VIEW



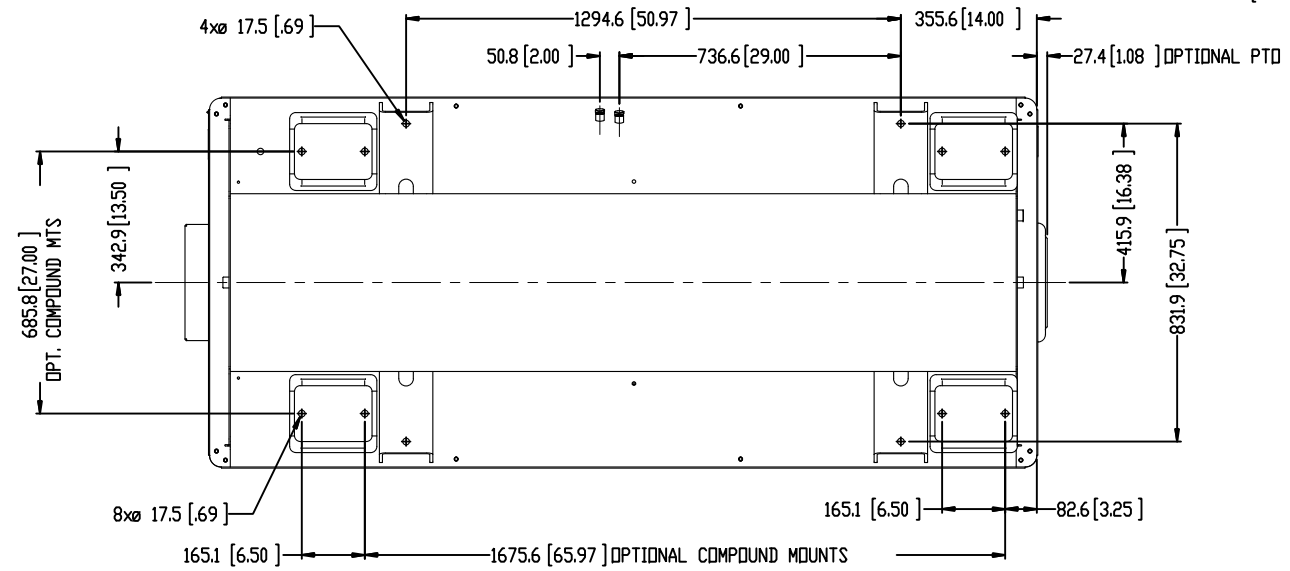
RIGHT SIDE VIEW



FRONT VIEW



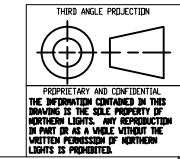
LEFT SIDE VIEW



BOTTOM VIEW/MOUNTING BOLT PATTERN

OPTIONAL POWER TAKE-OFF
 SAE-C PAD H36 C SPLINE 14T 12/24 D.P. ϕ 1-1/4 SPLINE.
 PILOT ϕ 127.00/126.94 [5.000/4.998]
 4x 5/8-13 UNC-2B THRU EQ. SP. DN ϕ 7.125 B.C.
 4x 1/2-13 UNC-2B THRU EQ. SP. DN ϕ 6.375 B.C.

APPROXIMATE WET WEIGHT IN SHIELD:
 NO PTD: 1590 kg [3505.5 lbs.]
 w/ PTD: 1643 kg [3621.7 lbs.]



| | | | |
|---|---------|-----------|---------|
| UNLESS OTHERWISE SPECIFIED | | NAME | DATE |
| DIMENSIONS ARE IN MILLIMETERS | | LTP | 3/28/15 |
| TOLERANCES: | | CHECKED | |
| ANGULAR: | | ENG APPR. | |
| HOLE: \pm 0.5° BEND \pm 10° | | MFG APPR. | |
| X = \pm 0.2 | | QA | |
| XX = \pm 0.13 | | COMMENTS: | |
| INTERPRET GEOMETRIC TOLERANCING PER ASME Y14.5M | | | |
| MATERIAL | | | |
| NEXT ASSY | USED IN | FINISH | |
| APPLICATION | | | |

| | | | |
|--------------------------------|---------|--|--|
| TITLE: | | 4420 14th AVE. NW Seattle, WA 98107 (206) 789-3880 www.northernlights.com | |
| INSTALLATION DIMENSIONS | | NORTHERN LIGHTS | |
| M1066TL -3 ϕ SOUND SHIELD | | | |
| SIZE DWG. NO. | REV | | |
| D | D-4842 | | |
| SCALE: 1:10 | WEIGHT: | SHEET 1 OF 1 | |