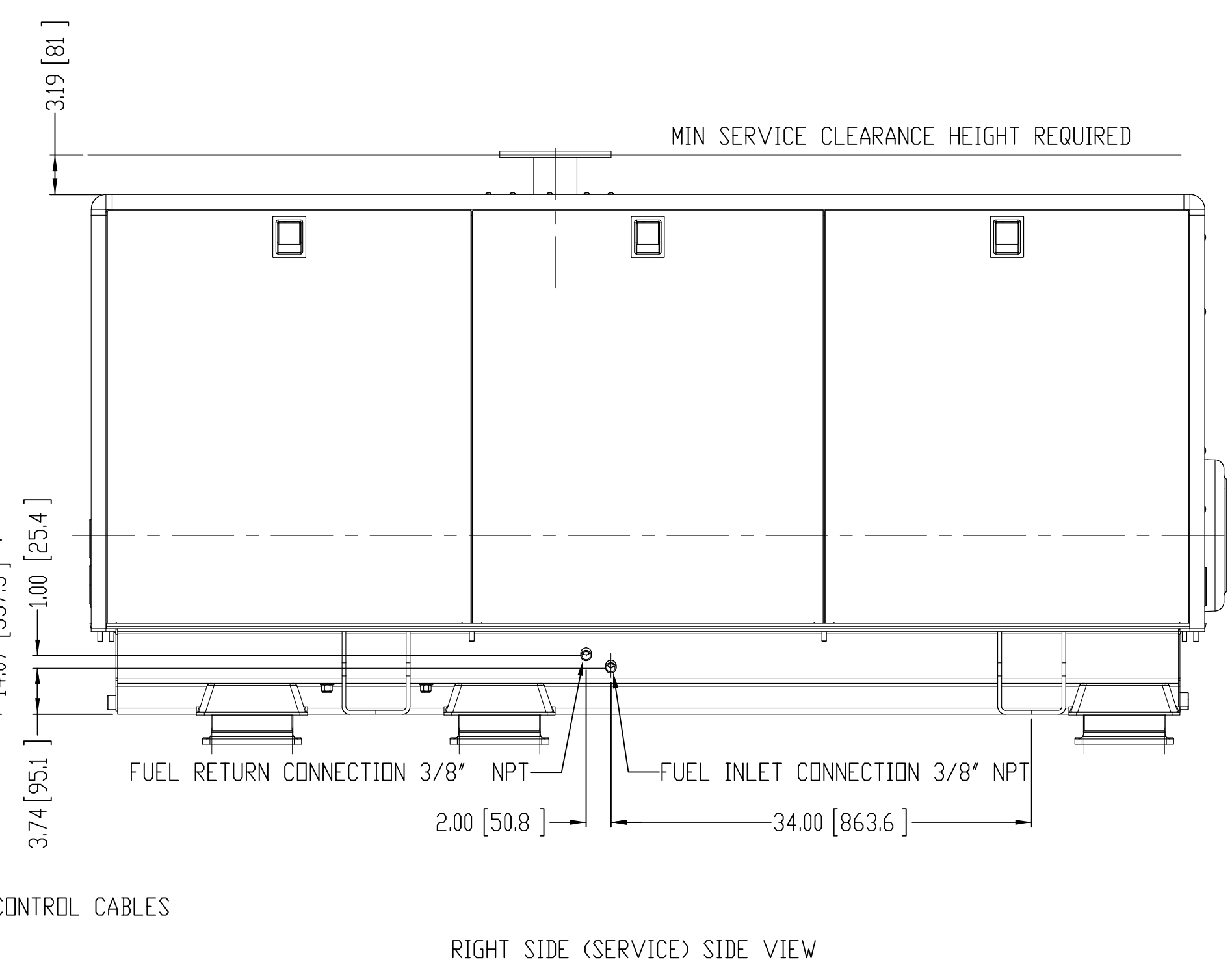
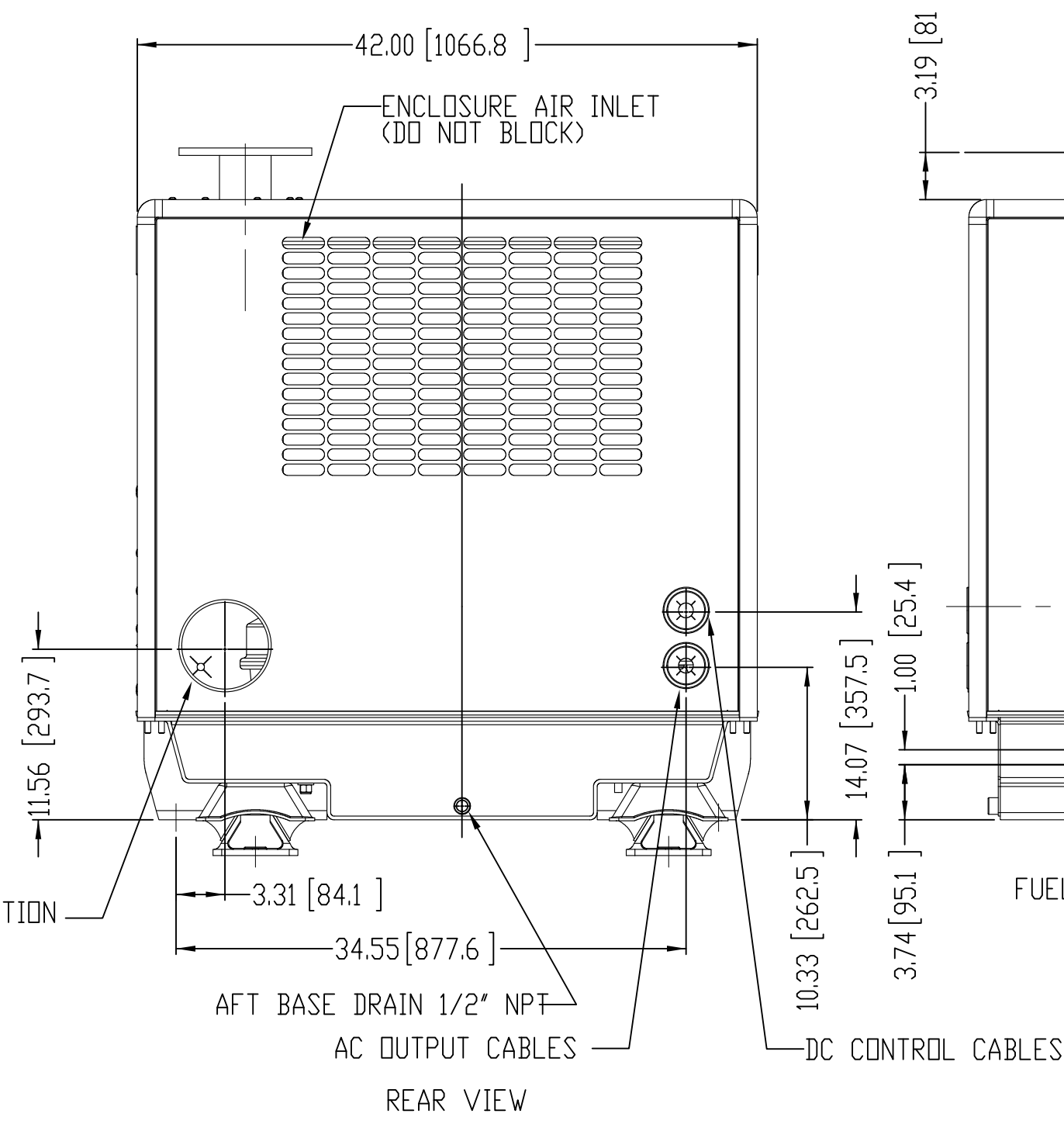
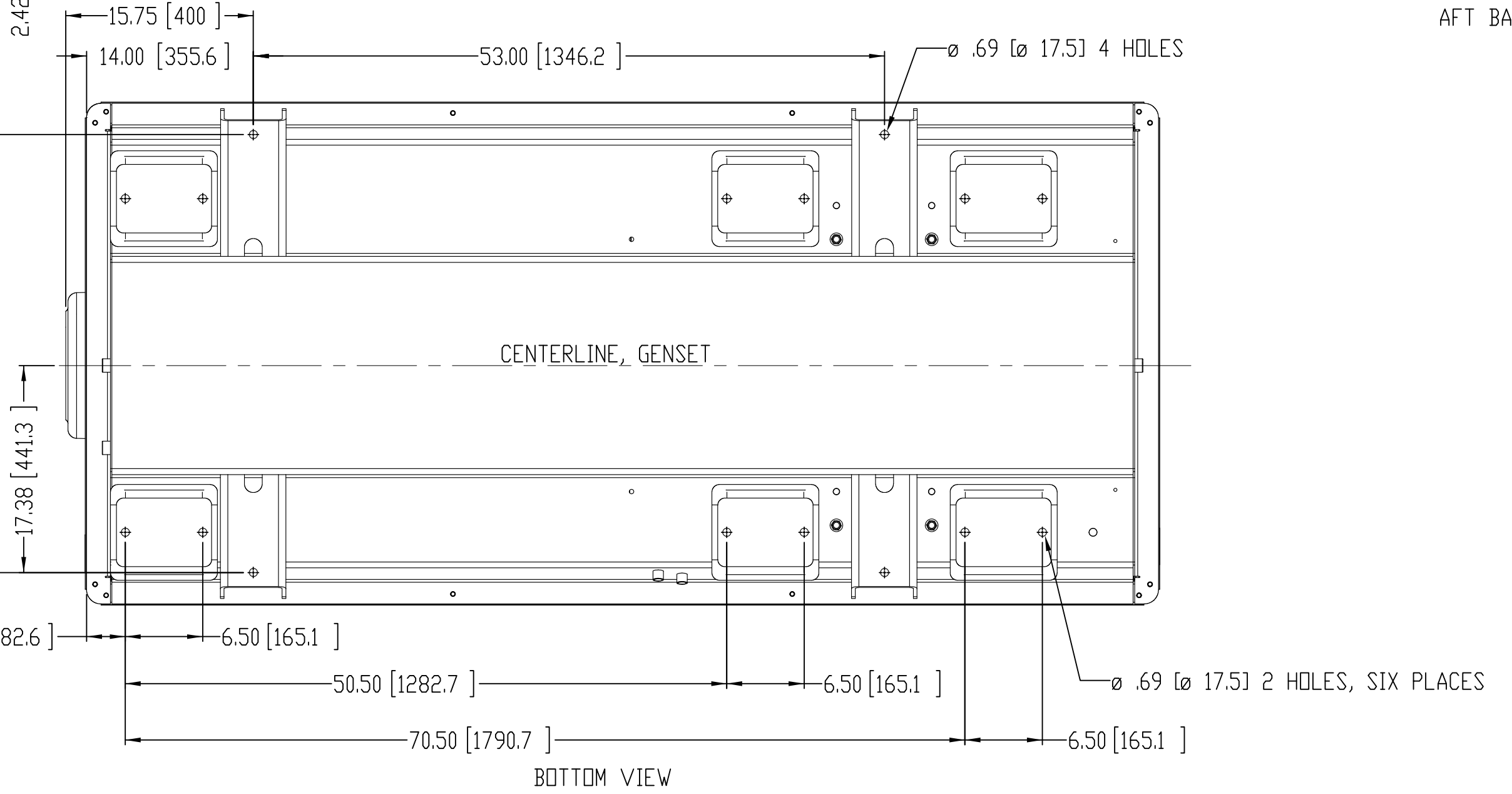
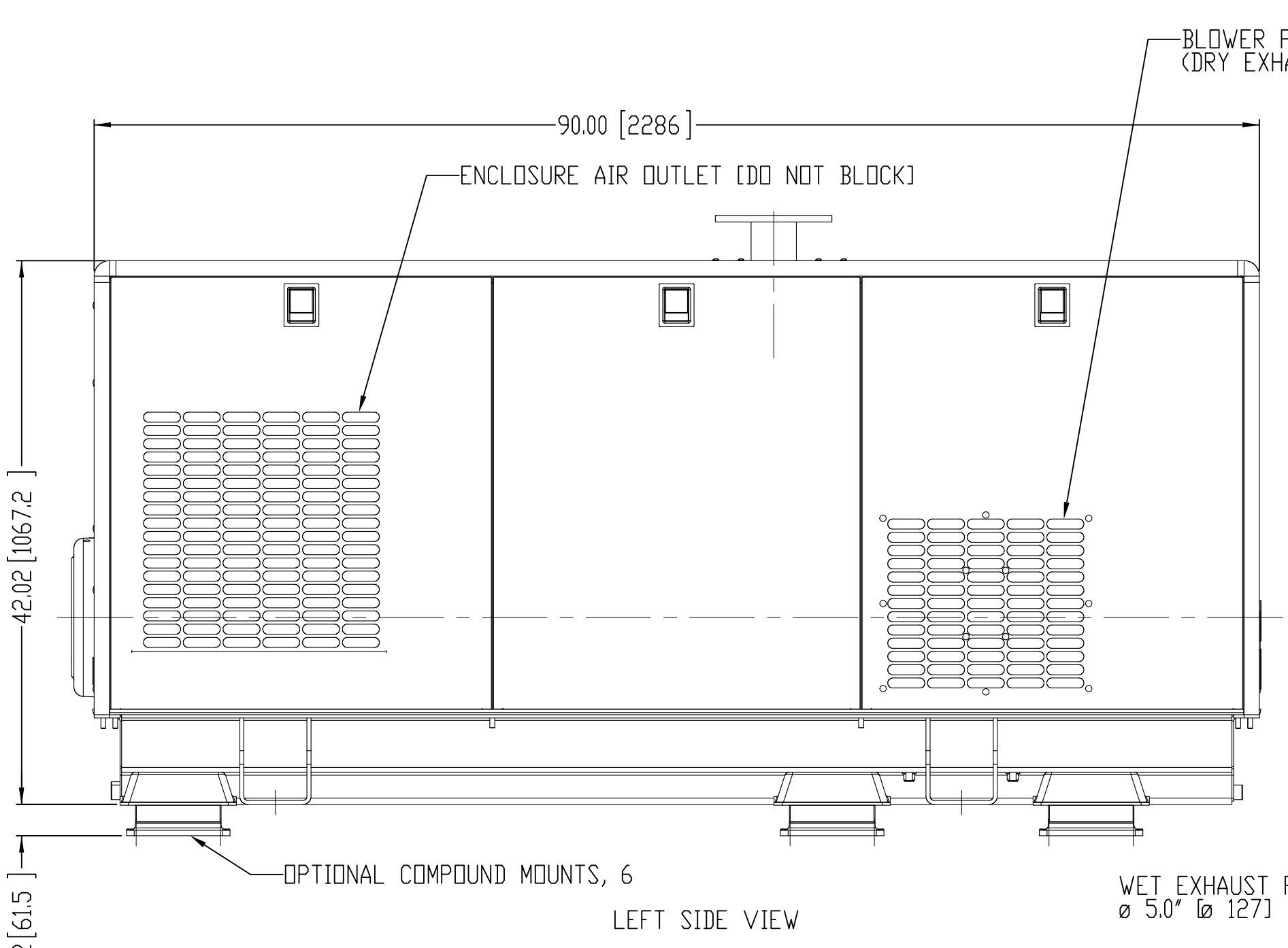
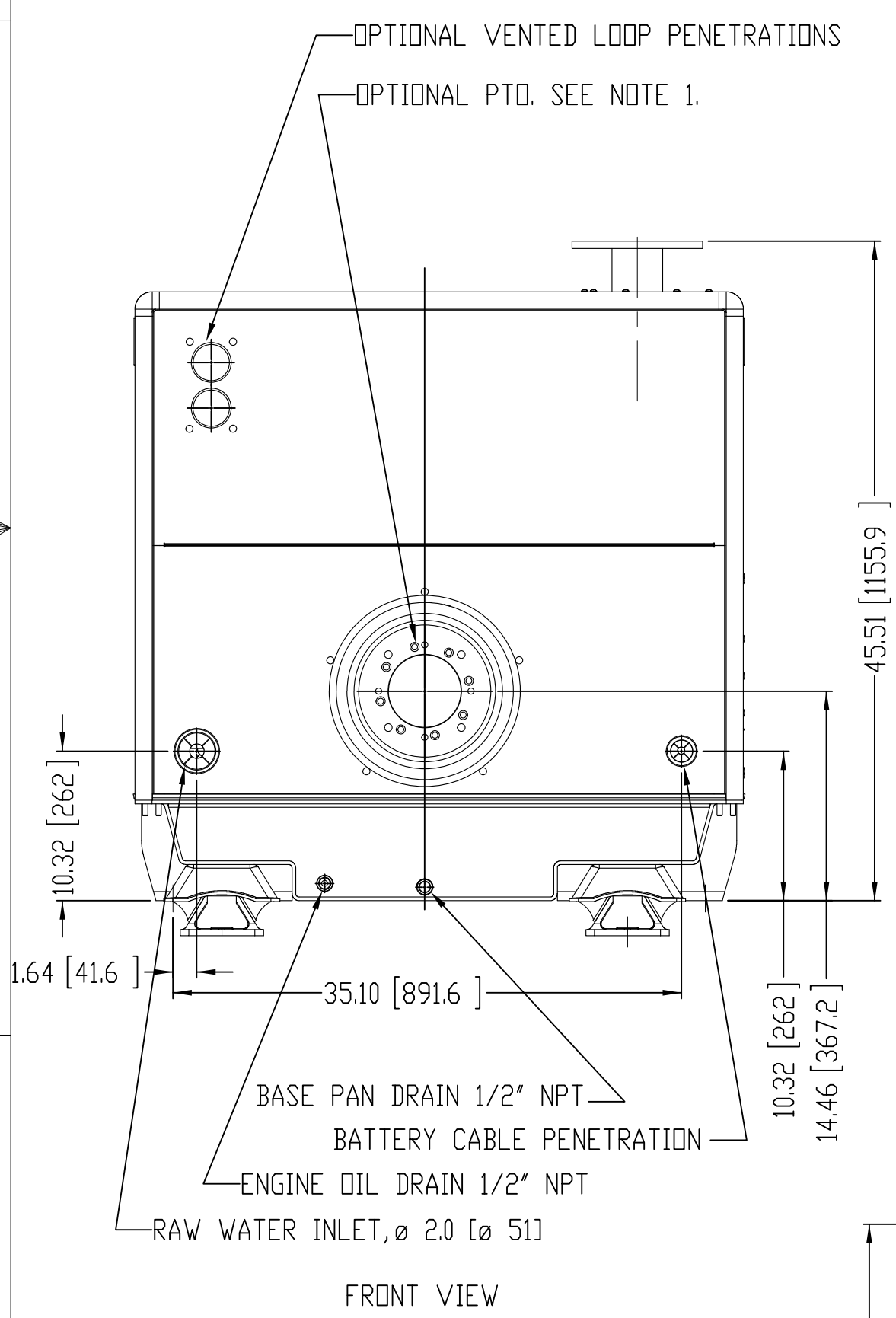
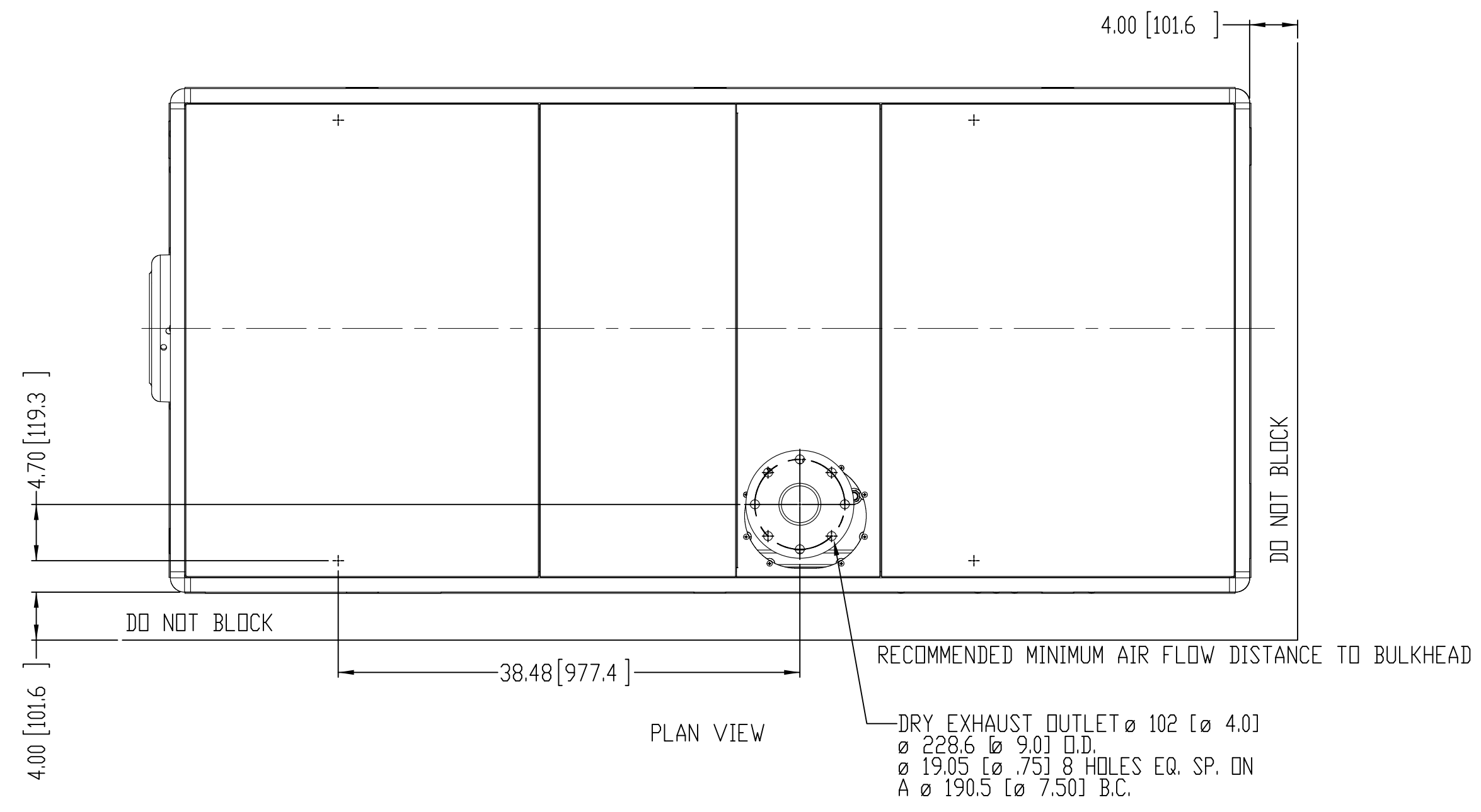


APPLICATION (GENSET +SOUND SHIELD)	EST. WET WT lbs(kg)
M1066A51L 99kW 1500 RPM 3 $\emptyset$	4066(1844)
M1066A13.11L 120kW 1800 RPM 3 $\emptyset$	4066(1844)
M1066A151L 105kW 1500 RPM 3 $\emptyset$	4155(1885)
M1066A251L 115kW 1500 RPM 3 $\emptyset$	4155(1885)

NOTES:  
 1. OPTIONAL PTD PUMP MOUNTING FACE.  
 C-SPLINE 14T 12/24 D.P.  $\emptyset$  1-1/4" SPLINE.  
 5/8-13UNC-2B THRU (4) EQ. SP. DN  $\emptyset$  7.1258 B.C.  
 & 1/2-13UNC-2B THRU (4) EQ. SP. DN  $\emptyset$  6.375 B.C.  
 PILOT BORE:  $\emptyset$  127.00/126.94 [ $\emptyset$  5.000/4.998]



<p>THIRD ANGLE PROJECTION</p> <p>PROPRIETARY AND CONFIDENTIAL          THE INFORMATION CONTAINED IN THIS DRAWING IS THE SOLE PROPERTY OF NORTHERN LIGHTS. ANY REPRODUCTION IN PART OR AS A WHOLE WITHOUT THE WRITTEN PERMISSION OF NORTHERN LIGHTS IS PROHIBITED.</p>	UNLESS OTHERWISE SPECIFIED: DIMENSIONS ARE IN MILLIMETERS TOLERANCES: ANGULAR: MACH $\pm$ 0.5° BEND $\pm$ 1.0° X $\pm$ 0.15 XX $\pm$ 0.3 INTERPRET GEOMETRIC TOLERANCING PER: ASME Y14.5M MATERIAL: FINISH: DO NOT SCALE	NAME: LTP DATE: 1/24/13 CHECKED: TAH DATE: 1/27/15 ENG APPR: MFG APPR: QA: COMMENTS:	<p>4420 14th AVE. N.W.          Seattle, WA 98107          (206) 789-3880          www.northern-lights.com</p>
	TITLE: <b>INSTALLATION DIMENSIONS</b> M1066A w/K26 TURBO	SCALE: 1:10 WEIGHT:	SIZE: D PART NO.: DWG. NO.: <b>D-4853</b>