

P1064H-HD

For Models: L1064H-HD

PARTS CATALOG

Marine Generators | Marine Diesel Engines | Land-Based Generators





— CALIFORNIA —
Proposition 65 Warning:

Diesel engine exhaust and some of its constituents are known to the State of California to cause cancer, birth defects, and other reproductive harm.

Northern Lights
4420 14th Avenue N.W.
Seattle, WA 98107
Tel: (206) 789-3880
Fax: (206) 782-5455

Copyright ©2014 Northern Lights, Inc.
All rights reserved. Northern Lights™, and
the Northern Lights logo are trademarks of
Northern Lights, Inc.

Printed in U.S.A.
PART NO.: P1064H-HD 6/17



PARTS CATALOG

for Models
L1064H-HD

Please read thoroughly before attempting to use this manual:

Table of Content.....	I
Model Designation & Serial Numbers.....	II
Reading a Parts Page.....	III

Table of Contents

GROUP 1 - ENGINE

Cylinder Block Assembly.....	0-2
Flywheel and Housing	3
Crankshaft & Main Bearings.....	4
Crankshaft Pulley.....	5
Cylinder Liner Assembly & Connecting Rod.....	6
Timing Cover Plate	7
Camshaft	8
Balance Shaft	9
Timing Cover	10
Oil Filter & Adapter.....	11
Oil Pump.....	12
Oil Pan	13
Oil Drain & Tube	14
Oil Fill Assembly	15
Cylinder Head, Head Gasket, Valves	16-17
Rocker Cover, Rocker Shaft, Rocker Arm.....	28-20

GROUP 2 - INTAKE & EXHAUST

Intake Manifold and Air Cleaner	0-2
Air Intake & Turbocharger.....	3-4
Exhaust Manifold & Adapter.....	5-6
Exhaust Elbows.....	7

GROUP 3 - COOLING SYSTEM

Expansion Tank Assembly	0-1
Heat Exchanger	2-3
Coolant Pump Inlet & Assembly	4
Raw Water Pump & Mounting.....	5-7
Oil Cooler.....	8
Idle Shaft.....	9

GROUP 4 - FUEL SYSTEM

Fuel Injection Systems	0-2
Fuel Injectors	3
Fuel Filter & Lines.....	4-5
Fuel Supply & Return Connections.....	6-7
Fuel Filters	8-9
Fuel Transfer Pump.....	10

GROUP 5 - ELECTRICAL SYSTEM

12 & 24 Volt, Standard & Engine Control Unit	0-1
Oil Pressure Manifold.....	2
Alternators and Mounting	4-5
Drive Belt and Tensioner	6-7
Belt Guard.....	8-9

GROUP 6 - GASKET SETS

.....	0-1
-------	-----

GROUP 7 - GEAR AND ADAPTER PARTS

Electric Drive	0-1
----------------------	-----

GROUP 8 - Engine & MOUNTING

Engine Lift Eye	0
Mounting.....	1

GROUP 9 - ACCESSORIES & OPTIONAL EQUIPMENT

Heat Exchanger Assembly	0-1
-------------------------------	-----

Proprietary Information

This publication is the property of Northern Lights, Inc.

It may not be reproduced in whole or in part without the written permission of Northern Lights, Inc.

© Northern Lights, Inc. All rights reserved. Litho U.S.A. Publication number P1064H-HD 6/17

INTRODUCTION

MODEL DESIGNATION

Refer to the category designations below to find the correct parts pages for your model.

L - M - NL

L - Lugger propulsion unit
M - Northern Lights marine generator set
NL - Northern Lights industrial generator set

1064

Base Model #
 (Deere 4045 Powertech
 Series engine block)

D - T - A - H - C

Aspiration	A Aftercooled
D Natural	H High Output
T Turbocharged	C Commercial

L 1064 D = Northern Lights naturally aspirated propulsion engine with a John Deere 4045 engine.

M 1064 D = Northern Lights naturally aspirated marine diesel generator with a John Deere 4045 engine.

M 1064 T = Northern Lights turbocharged marine diesel generator set with a John Deere 4045 engine.

M 1064 A = Northern Lights turbocharged marine diesel generator set with a John Deere 4045 engine, aftercooled.

M 1064 H = Northern Lights turbocharged high output marine diesel generator set with a John Deere 4045 engine.

MP 40 C2 = Northern Lights naturally aspirated marine diesel generator set with a John Deere 4045 engine, 40 kW.

MP 55 C2 = Northern Lights turbocharged marine diesel generator set with a John Deere 4045 engine, 55 kW.

MP 65 C2 = Northern Lights turbocharged marine diesel generator set with a John Deere 4045 engine, 65 kW.

NL 1064 = Northern Lights industrial diesel engine, with a John Deere 4045 engine.

All model numbers in parentheses will indicate a John Deere base engine. All variations requiring serial numbers for proper identification will be noted as Northern Lights or John Deere.

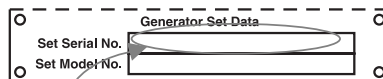
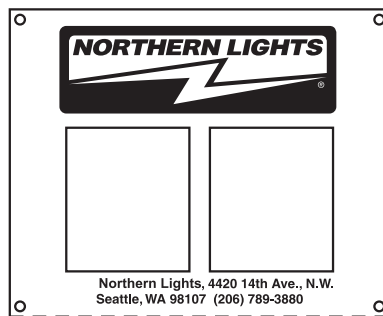
SERIAL NUMBERS

NORTHERN LIGHTS

Your set has three serial numbers: ① an engine number stamped on the block, ② a generator plate, and ③ a generator set plate. Use the serial number on the **generator set plate** when ordering parts or in correspondence. The generator set plate is found on the service side of the generator and resembles one of the drawings below.



Lugger Serial Number



Generator Set Serial Number



Generator Set Serial Number

READING A PARTS PAGE

IMPORTANT:

Before selecting parts, be sure that you are choosing parts from the correct page.
 Check the model designation at the page top.
 Do not use this illustration for parts purchasing.

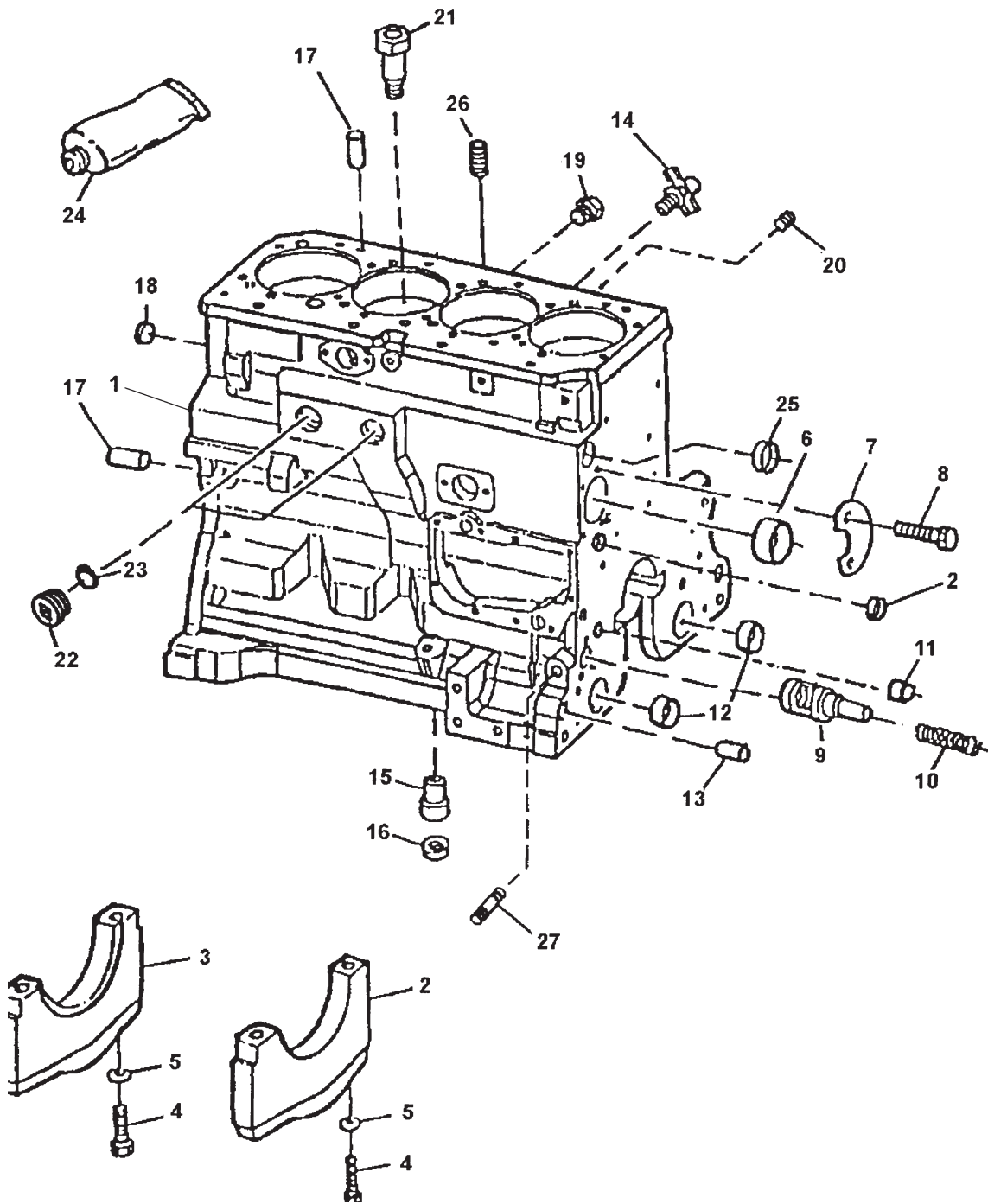
KEY	PART NUMBER	QTY.	DESCRIPTION	SERIALNUMBER
0	185046210	1	Alternator Assembly	-
1	185446219	1	Flywheel, complete	-
2	185446217	1	Plate, complete	-
3	185716200	1	Plate	-
4	185446218	1	Stator, complete	-
5	040126210	2	Bearing	-
6	020210010	1	Nut	-
7	027100010	1	Spring washer	-
8	026100010	1	Washer	-
9	185446220	1	Clamp	-
10	015140408	1	Screw	-
11	015140425	2	Screw	-
12	199236510	1	Collar	-

REFERENCES:

- | | |
|--|--|
| 1. Grouping section title. | 7. Quantity of parts used. |
| 2. Model designation of equipment that uses parts listed on this page. | 8. Description of each component part. |
| 3. Title and description of assembly. | 9. Serial number of unit the part fits. |
| 4. Drawing numbers that correspond to key column numbers for parts identification. | 10. Assembly or kit designated by Key 0 or ••/•. |
| 5. Key column for locating parts shown on drawing. | 11. Grouping index number. |
| 6. Part number. | 12. Page number within the grouping index. |
| | 13. Manual title. |
| | 14. Page publication date. |

NOTE: ⇨ Arrows always point toward the front of the engine.

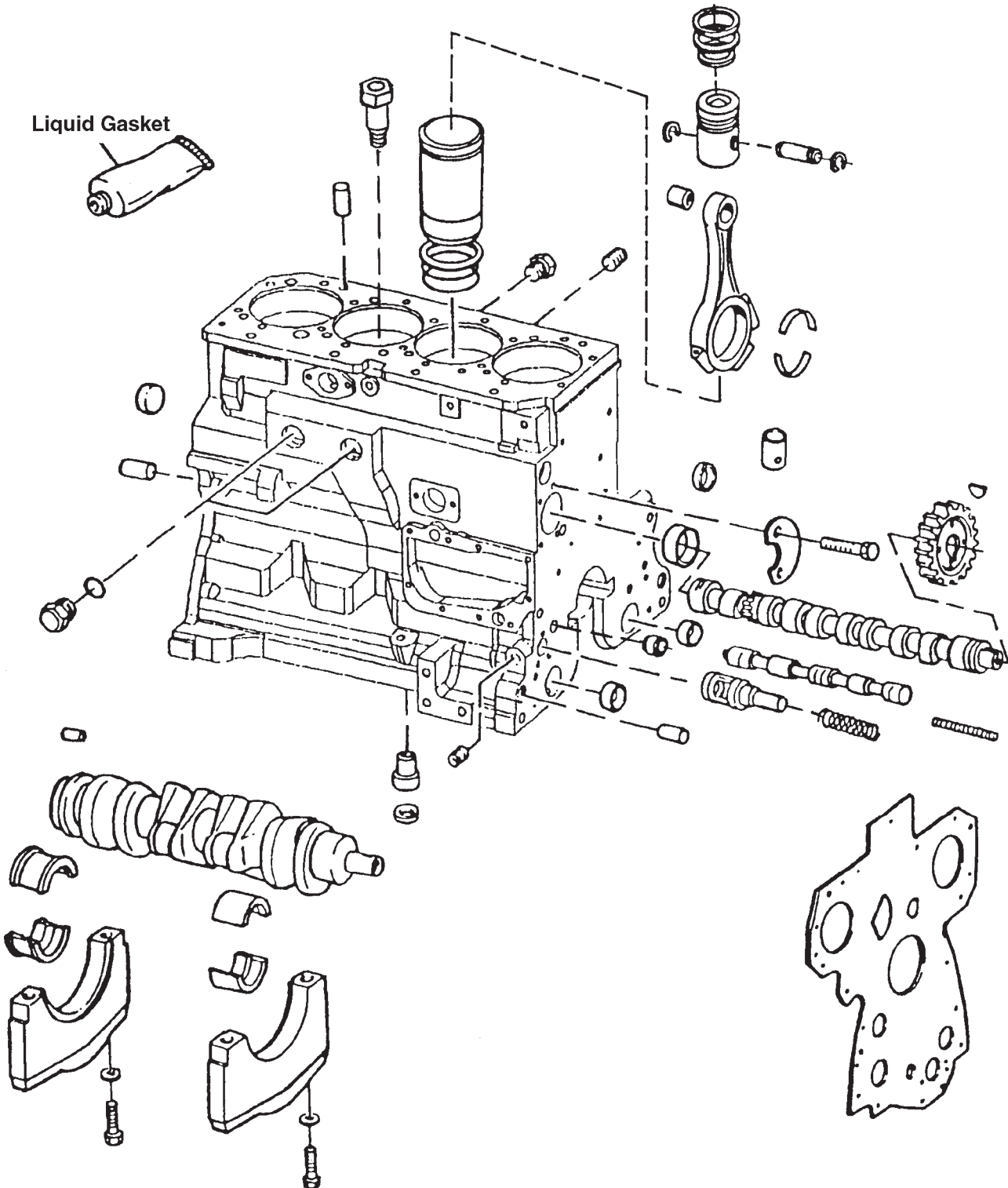
Cylinder Block



Cylinder Block

KEY	PART NUMBER	QTY	DESCRIPTION	SERIAL NUMBER
1		1	Cylinder Block (marked R504849)	-
2	R114241	4	Bearing Cap	-
3	R132186	1	Bearing Cap	-
4	T23474	10	Capscrew	-
5	T20168	10	Washer	-
6	R119874	1	Bushing	-
7	R132518	1	Plate	-
8	19M7867	2	Screw, M8 x 25	-
9	R121043	1	Valve, Engine Oil By-pass	-
10	R111137	1	Spring	-
11	RE505501	1	Oil Pressure Regulating Valve	-
12	R115299	6	Bushing, Balancer Shaft	-
13	R26650	2	Dowel Pin	-
14	AT13740	1	Drain Valve	-
15	R115390	1	Receptacle Connector Body	-
16	R75892	1	O-ring	-
17	R48685	2	Dowel Pin	-
18	T18891	2	Plug	-
19	R55233	1	Pipe Plug	-
20	R104592	5	Pipe Plug	-
21	R131182	4	Orifice	-
22	RE508185	2	Plug	-
23	U13639	2	O-ring	-
24	T43514	1	Gasket	-
25	R116466	1	Plug	-
26	15H624	1	Pipe Plug, 1/2" NPT	-
27	15H623	1	Pipe Plug, 3/8" NPT	-

Cylinder Block

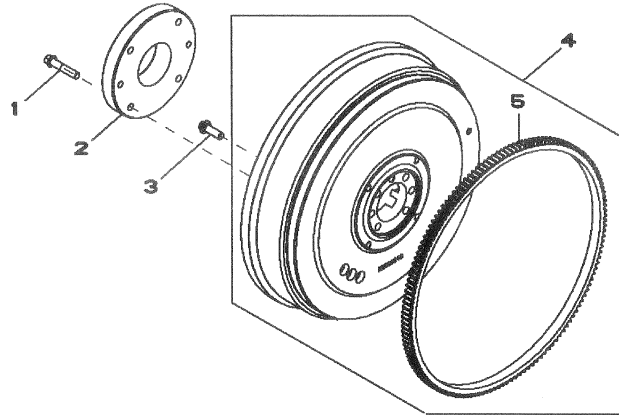


Reproduced by permission of Deere & Co., c2005. Deere & Company. All rights reserved.

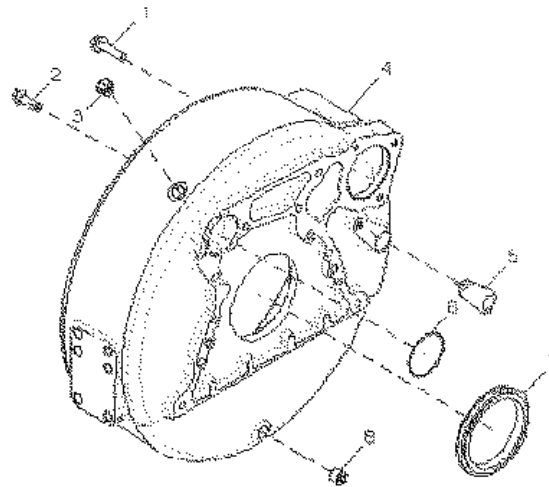
TP55072

KEY	PART NUMBER	QTY	DESCRIPTION	SERIAL NUMBER
	RE522679	1	Short Block (for 1064H, marked R504849, Piston marked RE507758)	-

Flywheel and Housing

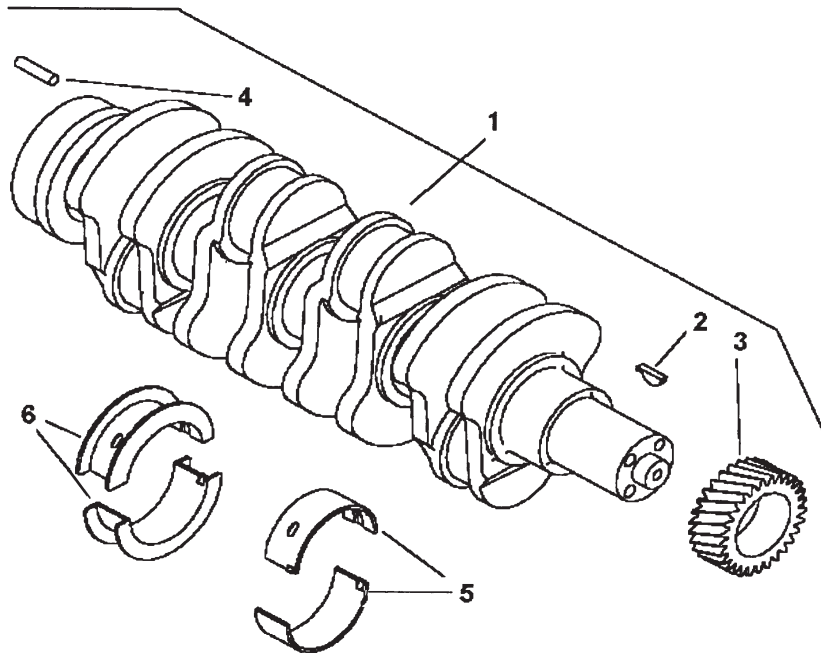


KEY	PART NUMBER	QTY	DESCRIPTION	SERIAL NUMBER
1	R116911	4	Capscrew	-
2	31-69606	1	Adapter. Electric Drive	-
3	R135918	6	Bolt	-
4	34-69607	1	Flywheel SAE #14 Special (includes #5)	-
5	R76000	1	Ring Gear	-



KEY	PART NUMBER	QTY	DESCRIPTION	SERIAL NUMBER
1	19M8306	4	Screw, M12 x 50	-
2	R135918	8	Bolt	-
3	AR106083	1	Plug	-
4	R529945	1	Housing	-
5	R131769	1	Plug	-
6	R61467	1	O-Ring	-
7	RE44574	1	Seal	-
8	15H584	1	Pipe Plug 1/2"	-

Crankshaft and Main Bearings

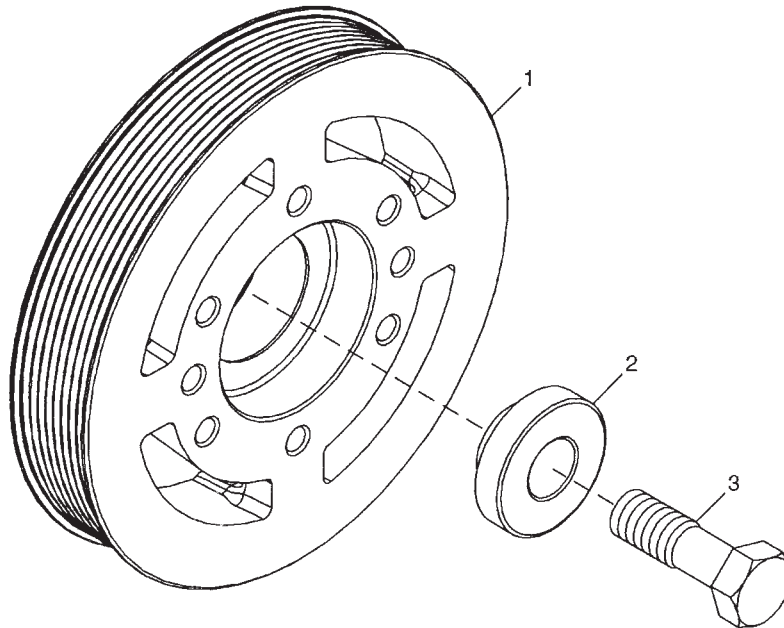


Reproduced by permission of Deere & Co., c2006. Deere & Company. All rights reserved.

RGP8812

KEY	PART NUMBER	QTY	DESCRIPTION	SERIAL NUMBER
1	RE506195	1	Crankshaft (marked R503715, includes keys 2-4)	-
2	26M4224	1	Shaft Key	-
3	R120631	1	Gear (30 teeth)	-
4	R48685	1	Dowel Pin	-
5	RE65165	4	Main Bearing Kit (Standard)	-
	RE65911	4	Main Bearing Kit (undersize .254 mm)	-
6	RE65168	1	Thrust Bearing Kit (Standard)	-
	RE65912	1	Thrust Bearing (undersize .254 mm)	-

Crankshaft Pulley, Marine Applications

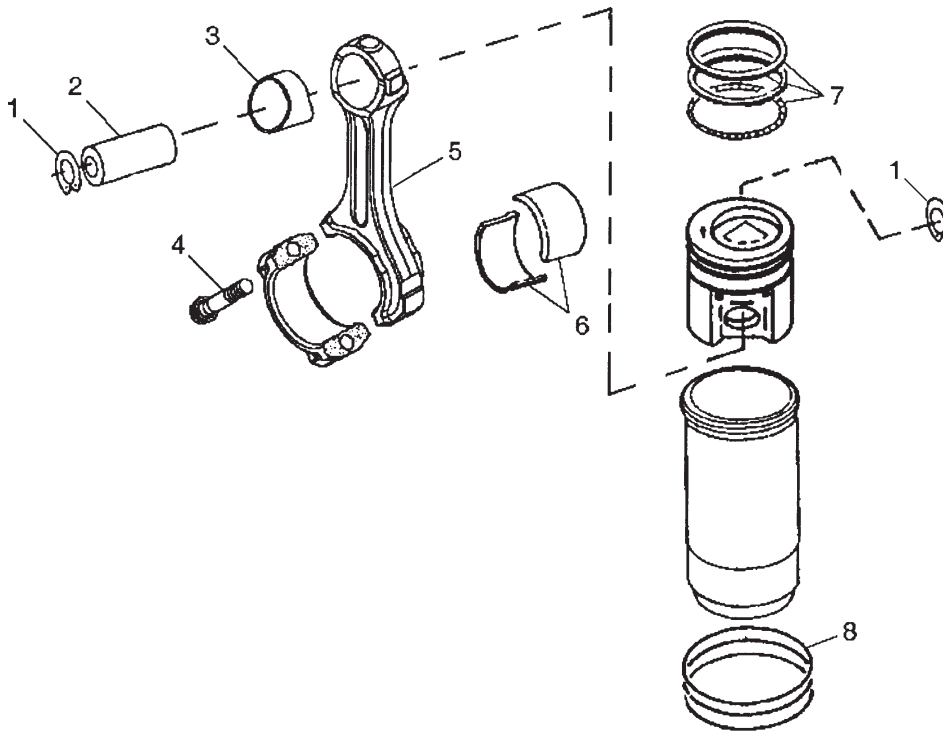


Reproduced by permission of Deere & Co., c2006. Deere & Company. All rights reserved.

RGP9631

KEY	PART NUMBER	QTY	DESCRIPTION	SERIAL NUMBER
1	R517208	1	Pulley (168 mm O.D.)*	-
2	R517237	1	Washer	-
3	R516648	1	Cap screw, Hex Head M20 x 2.5 x 70 mm Grade 12.9	-

Cylinder Liner Assembly and Connecting Rod

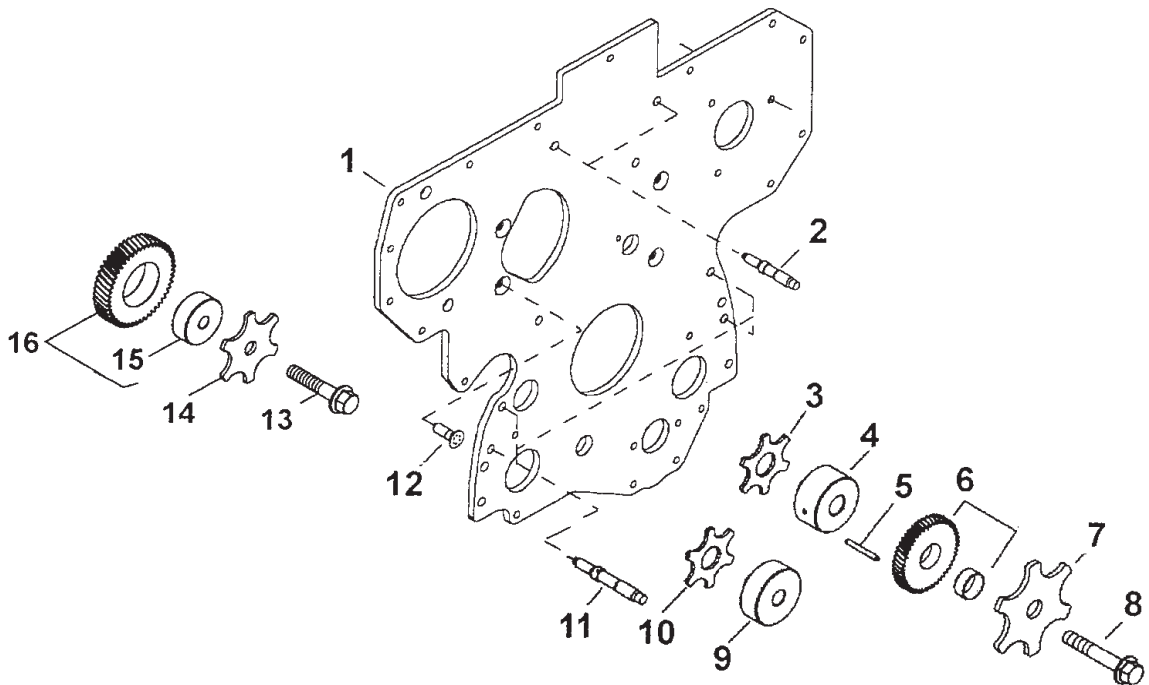


Reproduced by permission of Deere & Co., c2005. Deere & Company. All rights reserved.

RGP6650

KEY	PART NUMBER	QTY	DESCRIPTION	SERIAL NUMBER
••	RE516228	4	Piston Liner Kit (marked RE507758, includes keys #7-8)	-
1	R54114	8	Snap Ring	-
2	R502755	4	Piston Pin	-
3	R114082	4	Bushing	-
4	R501124	8	Screw	-
5	RE500608	4	Connecting Rod (marked R500335, includes keys #3-4)	-
6	RE65908	4	Bearing (Standard)	-
	RE65909	4	Bearing (undersize .254 mm)	-
7	RE516268	4	Piston Ring Kit	-
8	AR65507	4	O-ring Kit	-

Timing Gear Front Plate

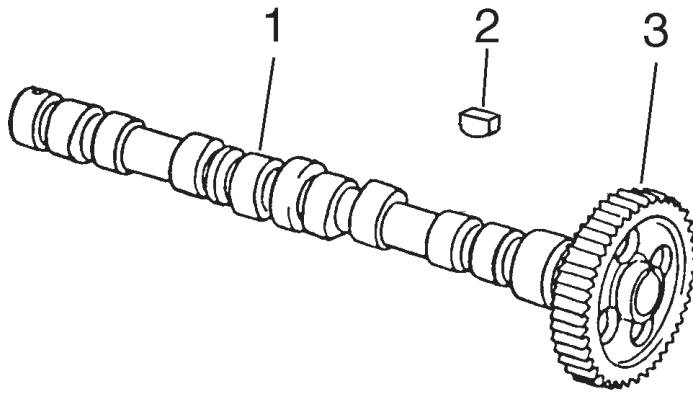


Reproduced by permission of Deere & Co., c2005. Deere & Company. All rights reserved.

RGP8974

KEY	PART NUMBER	QTY	DESCRIPTION	SERIAL NUMBER
1	R504282	1	Plate	-
2	R134518	2	Stud	-
3	R515494	1	Lock Washer	-
4	R504843	1	Shaft, Upper	-
5	R515408	1	Dowel Pin	-
6	RE508489	1	Gear (marked R504614)	-
7	R515494	1	Lock Washer	-
8	19M7807	1	Capscrew, M10 x 60 mm	-
9	R114194	1	Shaft, Lower	-
10	R101225	1	Thrust Washer	-
11	R123584	7	Stud	-
12	R136475	5	Screw	-
13	19M8966	1	Capscrew, M10 x 50 mm	-
14	R131283	1	Thrust Washer	-
15	R114193	1	Bushing	-
16	RE56369	1	Gear	-

Camshaft

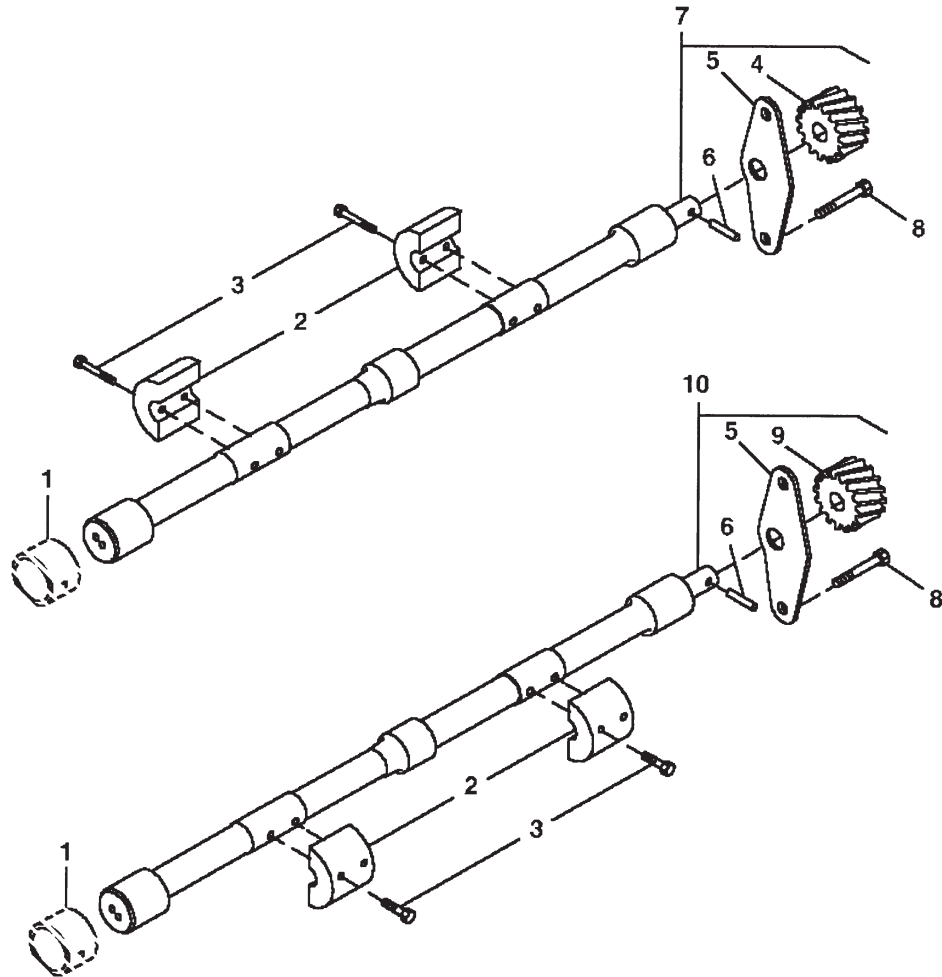


Reproduced by permission of Deere & Co., c2005. Deere & Company. All rights reserved.

TP60711

KEY	PART NUMBER	QTY	DESCRIPTION	SERIAL NUMBER
1	RE515612	1	Camshaft (marked R515247, includes keys #2-3)	-
2	R133303	1	Shaft Key	-
3		1	Gear (60 Teeth, marked R516237)*	-
			*Not available separately, order camshaft assembly	

Engine Balancer Shaft

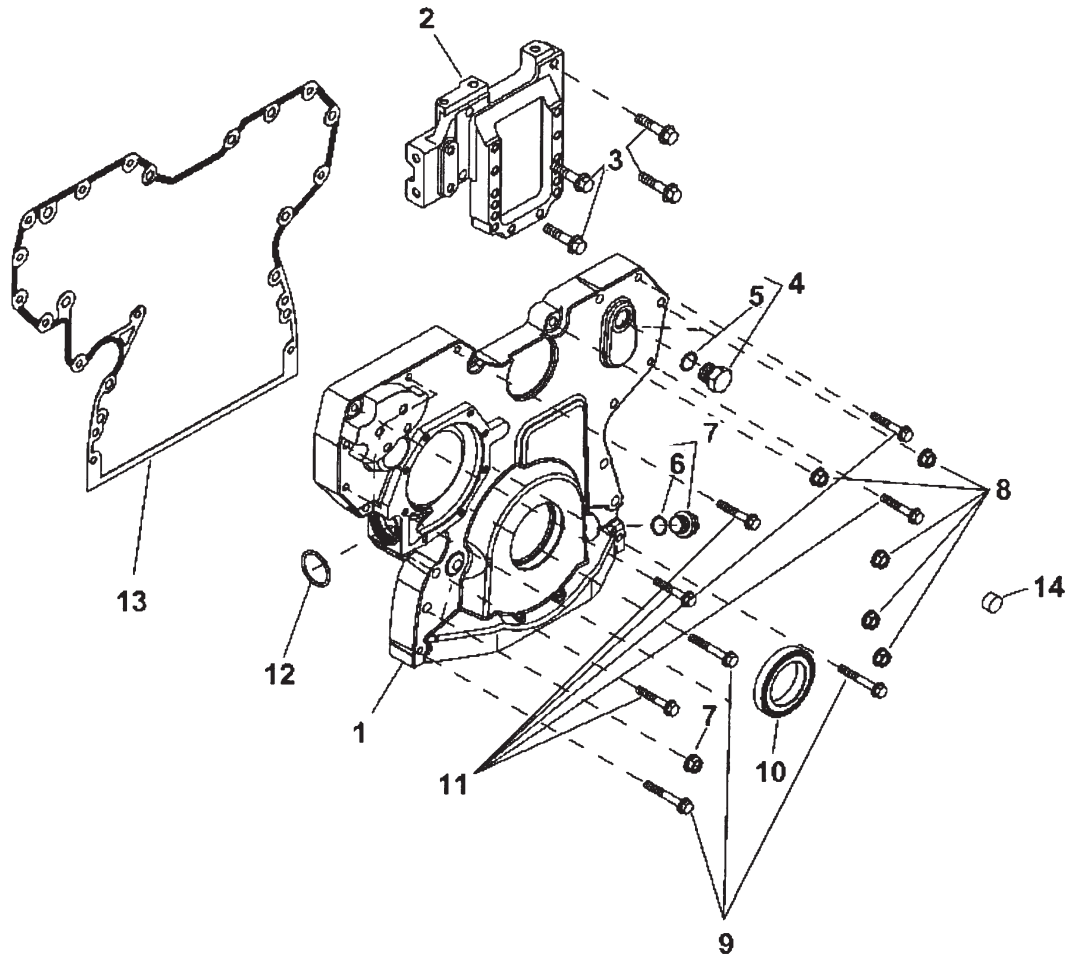


Reproduced by permission of Deere & Co., c2006. Deere & Company. All rights reserved.

RGP5639

KEY	PART NUMBER	QTY	DESCRIPTION	SERIAL NUMBER
1	R115299	6	Bushing	-
2	R500650	4	Weight	-
3	19M8882	8	Capscrew, M8 x 40 mm	-
4	R120639	1	Gear (Left hand shaft, 15 teeth)	-
5	R116078	2	Plate	-
6	34M7089	1	Dowel Pin, 4 x 12 mm	-
7	RE500449	1	Balancer Shaft (marked R500266)	-
8	19M8998	4	Screw, M8 x 12	-
9	R120637	1	Gear (Right hand)	-
10	RE500448	1	Balancer Shaft (marked R500668)	-

Timing Gear Cover

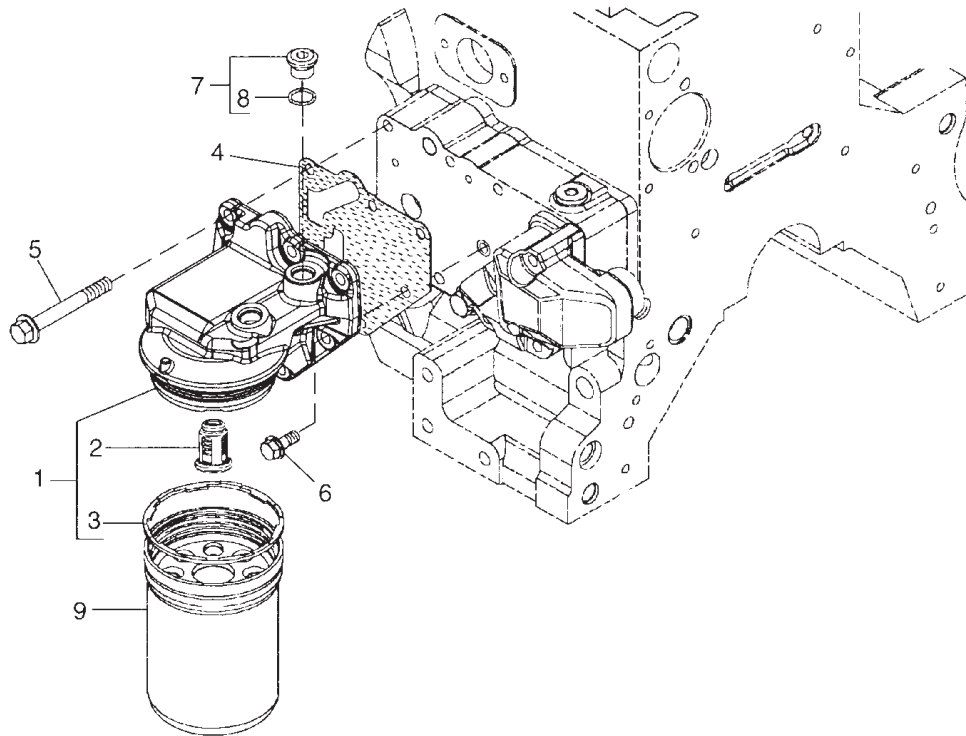


Reproduced by permission of Deere & Co., c2006. Deere & Company. All rights reserved.

RGP9019

KEY	PART NUMBER	QTY	DESCRIPTION	SERIAL NUMBER
1	RE509865	1	Timing Gear Cover (former # RE503596)	-
2	R516557	1	Adapter	-
3	19M7805	4	Capscrew, M10 x 45 mm	-
4	RE46687	1	Drain Plug	-
5	51M7045	1	O-ring	-
6	51M7044	1	O-ring	-
7	RE501938	1	Plug	-
8	14M7296	9	Flange Nut	-
9	19M7801	3	Capscrew, M8 x 60 mm	-
10	RE516340	1	Bearing Kit	-
11	19M7800	5	Screw	-
12	R504734	1	O-ring	-
13	R503597	1	Gasket	-

Oil Filter and Adapter

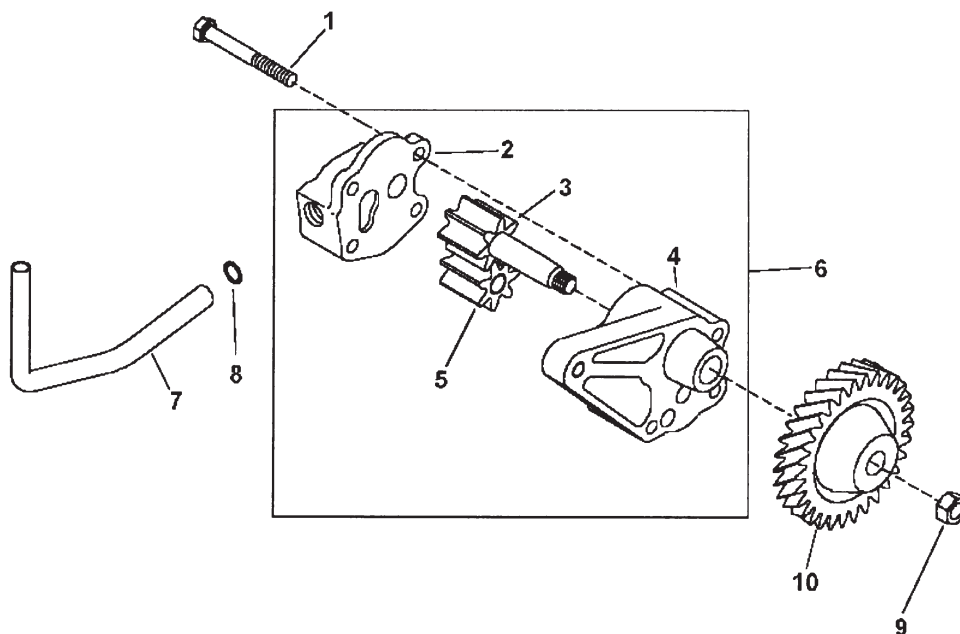


Reproduced by permission of Deere & Co., c2005. Deere & Company. All rights reserved.

RGP8909

KEY	PART NUMBER	QTY	DESCRIPTION	SERIAL NUMBER
1	RE504562	1	Filter Head (marked R502338, includes keys #2-3)	-
2	RE504543	1	Valve	-
3	R502513	1	Seal	-
4	R501484	1	Gasket	-
5	19M7802	5	Capscrew, M8 x 65 mm	-
6	RE67238	1	Capscrew, M8 x 20 mm	-
7	RE52242	**	Plug, M16 x 1.5 (includes key #8)	-
8	51M7042	**	O-ring	-
9	24-09501	1	Oil Filter	-
			**As required	

Oil Pump

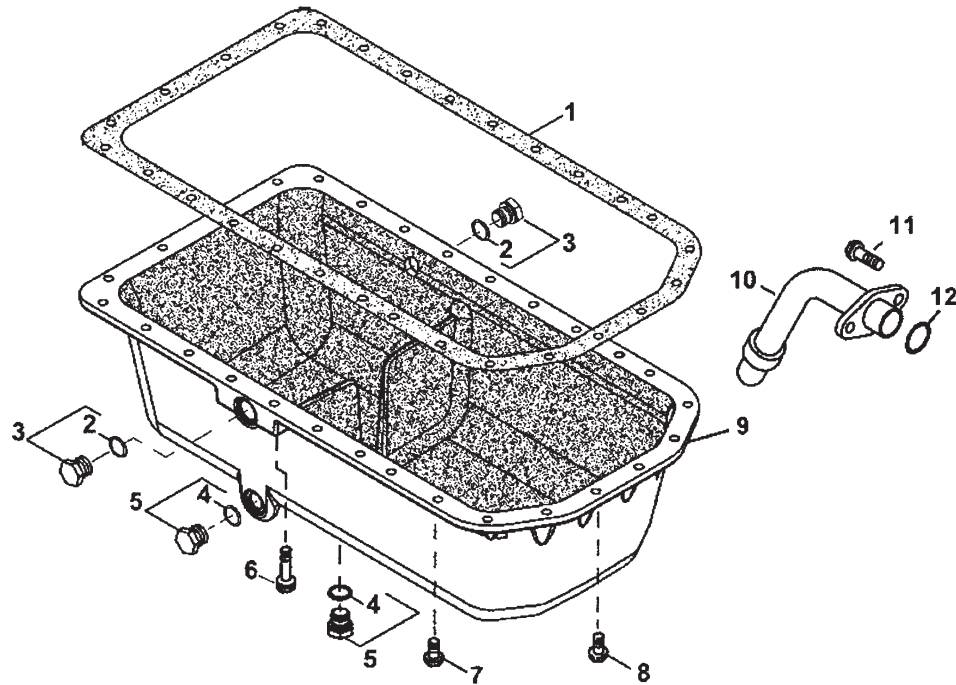


Reproduced by permission of Deere & Co., c2005. Deere & Company. All rights reserved.

RGP6223

KEY	PART NUMBER	QTY	DESCRIPTION	SERIAL NUMBER
1	19M8987	2	Capscrew, M8 x 65	-
2		1	Cover (not available separately)	-
3		1	Gear (not available separately)	-
4		1	Housing (not available separately)	-
5		1	Gear (not available separately)	-
6	RE504914	1	Oil Pump (marked R502687, includes keys #2-5)	-
7	R121376	1	Tube	-
8	R97185	1	O-ring	-
9	14M7066	1	Nut, M12	-
10	R120638	1	Gear	-

Oil Pan



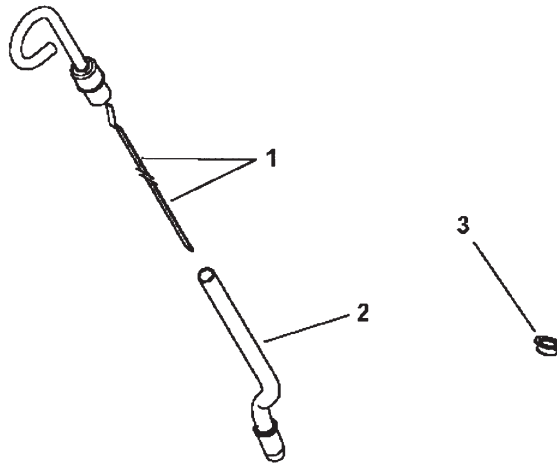
Reproduced by permission of Deere & Co., c2005. Deere & Company. All rights reserved.

RGP8206

KEY	PART NUMBER	QTY	DESCRIPTION	SERIAL NUMBER
1	R123353	1	Gasket	-
2	51M7045	2	O-ring	-
3	RE46687	2	Drain Plug, M22 x 1.5 mm	-
4	16-09503	2	O-ring	-
5	RE46685	2	Plug, M18 x 1.5 mm	-
6	19M7799	4	Cap screw, M8 x 45 mm	-
7	19M7867	18	Cap screw, M8 x 25 mm	-
8	12-80753	**	Cap screw M8 x 30 mm	-
9	R503784	1	Oil Pan (20.5 qts)	-
10	RE68491	1	Oil Pump Intake	-
11	19M8986	2	Screw M8 x 100mm	-
12	R61871	1	O-ring	-
			** as required	

GROUP 1 - ENGINE

Dipstick & Tube (Right or Left Hand)

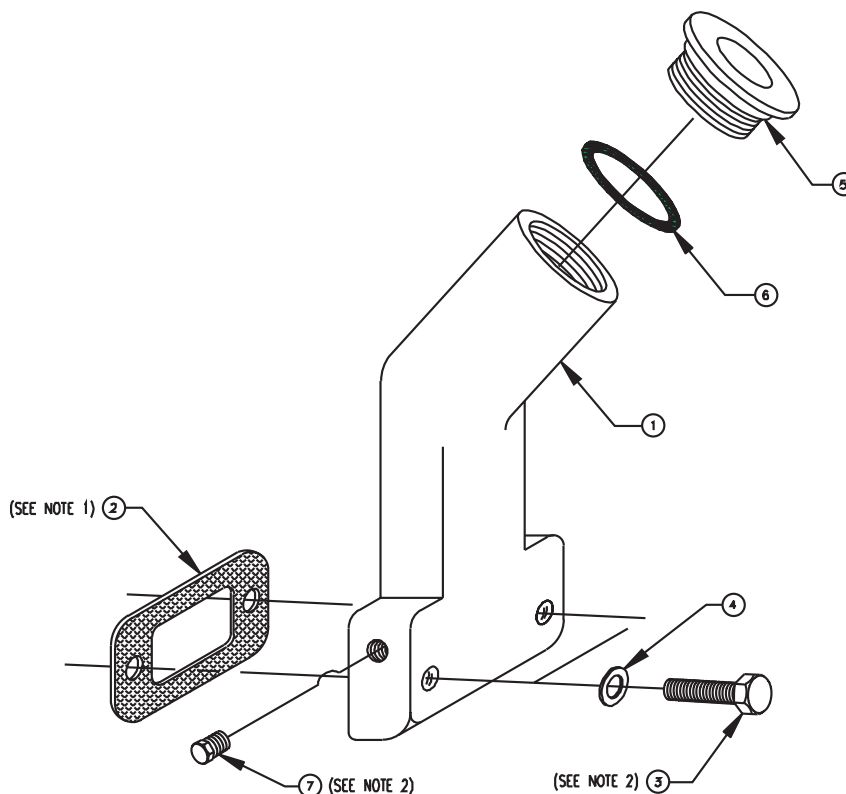


Reproduced by permission of Deere & Co., c2005. Deere & Company. All rights reserved.

RGP6190

KEY	PART NUMBER	QTY	DESCRIPTION	SERIAL NUMBER
1	RE69243	1	Dipstick	-
2	R502604	1	Dipstick Tube, Right Hand	-
	R130055	1	Dipstick Tube, Left Hand	-
3	R502725	**	Plug	-
			**As required	

Oil Fill Assembly, Right or Left Hand



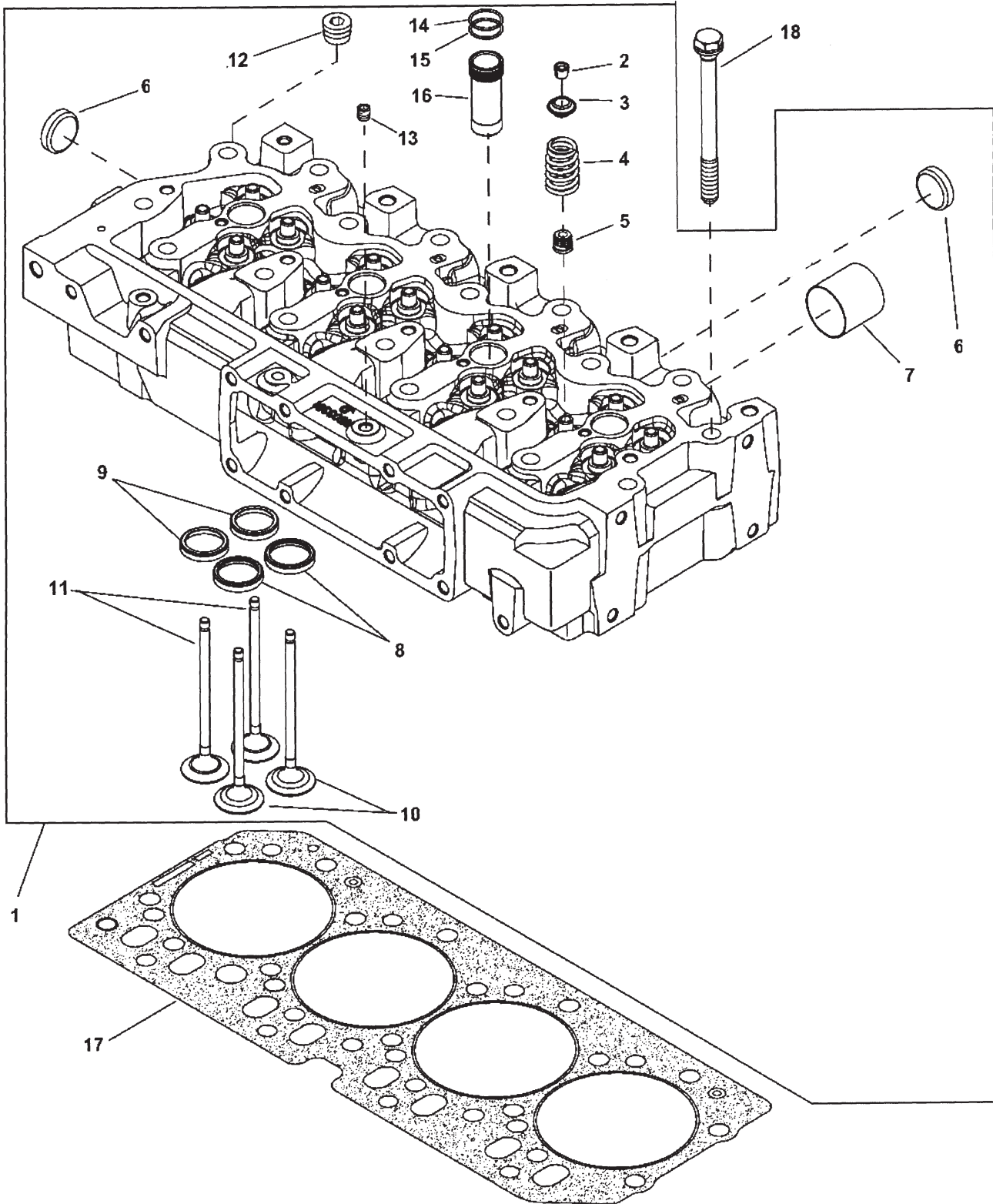
ASSEMBLY NOTES

- 1. INSTALL ITEM 2 WITH PREAPPLIED SEALANT TOWARDS ENGINE BLOCK.
- 2. INSTALL ITEMS 3 AND 7 WITH LOCTITE 567 (PST).

A-8347/ B-5846

KEY	PART NUMBER	QTY	DESCRIPTION	SERIAL NUMBER
1	36-01002	1	Oil Filler Neck	-
2	11-79501	1	Oil Filler Mounting Gasket	-
3	12-00714	2	Capscrew, Hex Head M8 x 1.25 x 40 mm	-
4	15-00701	2	Flat Washer, M8	-
5	198436010	1	Oil Fill Cap	-
6	052300400	1	O-Ring	-
7	21-00012	**	Plug, Hex Head, Brass, 1/8 NPT	-
			** As required	

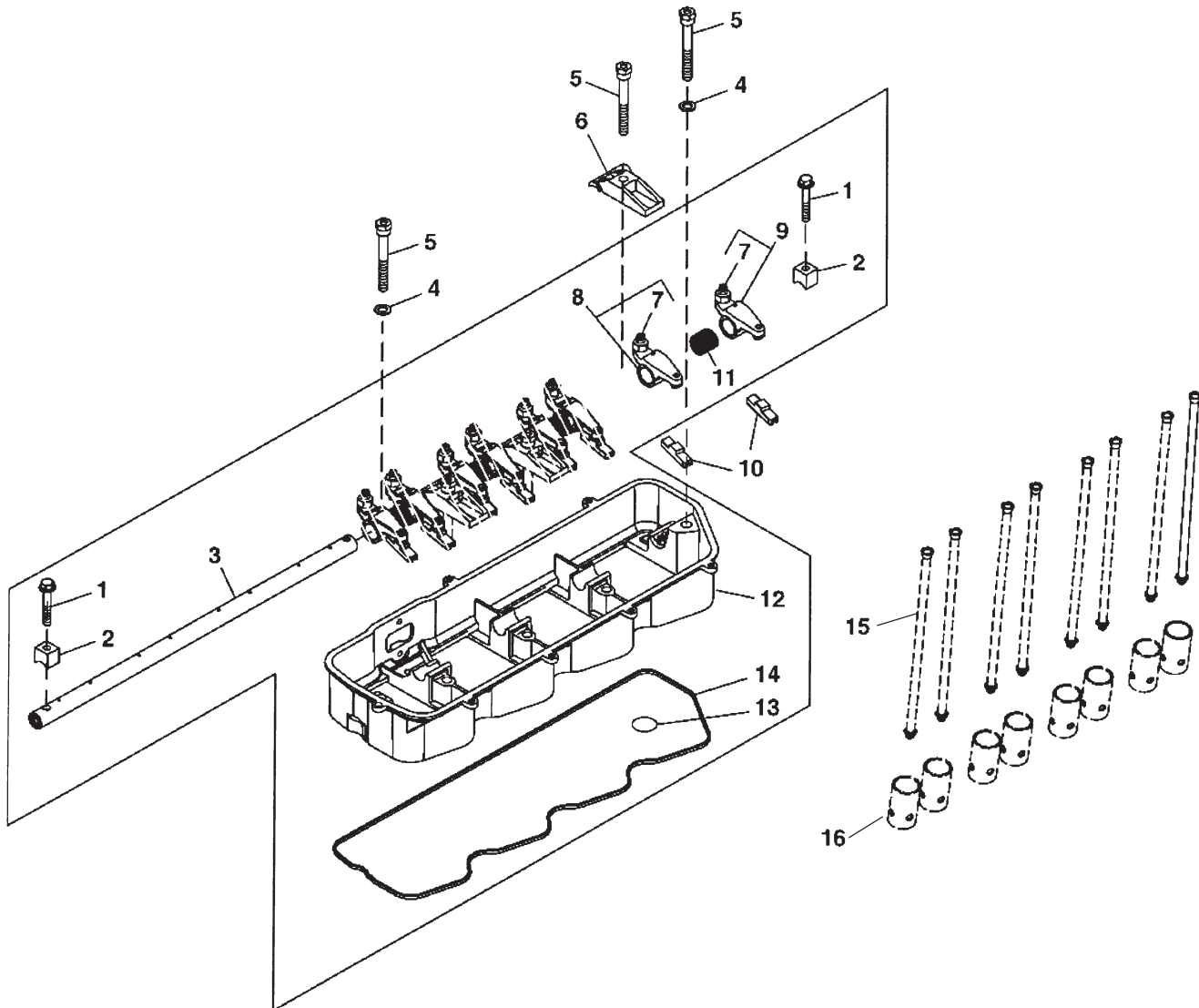
Cylinder Head



Cylinder Head

KEY	PART NUMBER	QTY	DESCRIPTION	SERIAL NUMBER
1	RE509803	1	Cylinder Head (marked R503381, includes keys 2-17)	-
2	R502371	32	Keep	-
3	R502367	16	Retainer	-
4	R503906	16	Valve Spring	-
5	RE519115	16	Seal	-
6	CD16284	4	Plug	-
7	R502512	4	Sleeve	-
8	R515033	8	Valve Seat Insert, Exhaust	-
9	R515034	8	Valve Seat Insert, Intake	-
10	R502369	8	Intake Valve	-
11	R502370	8	Exhaust Valve	-
12	15H624	4	Pipe Plug	-
13	R104592	1	Pipe Plug	-
14	RE528349	4	O-ring	-
15	RE530609	4	O-ring	-
16	RE517435	4	Sleeve (includes keys #14-15)	-
17	R116515	1	Cylinder Head Gasket	-
18	R502511	18	Screw	-

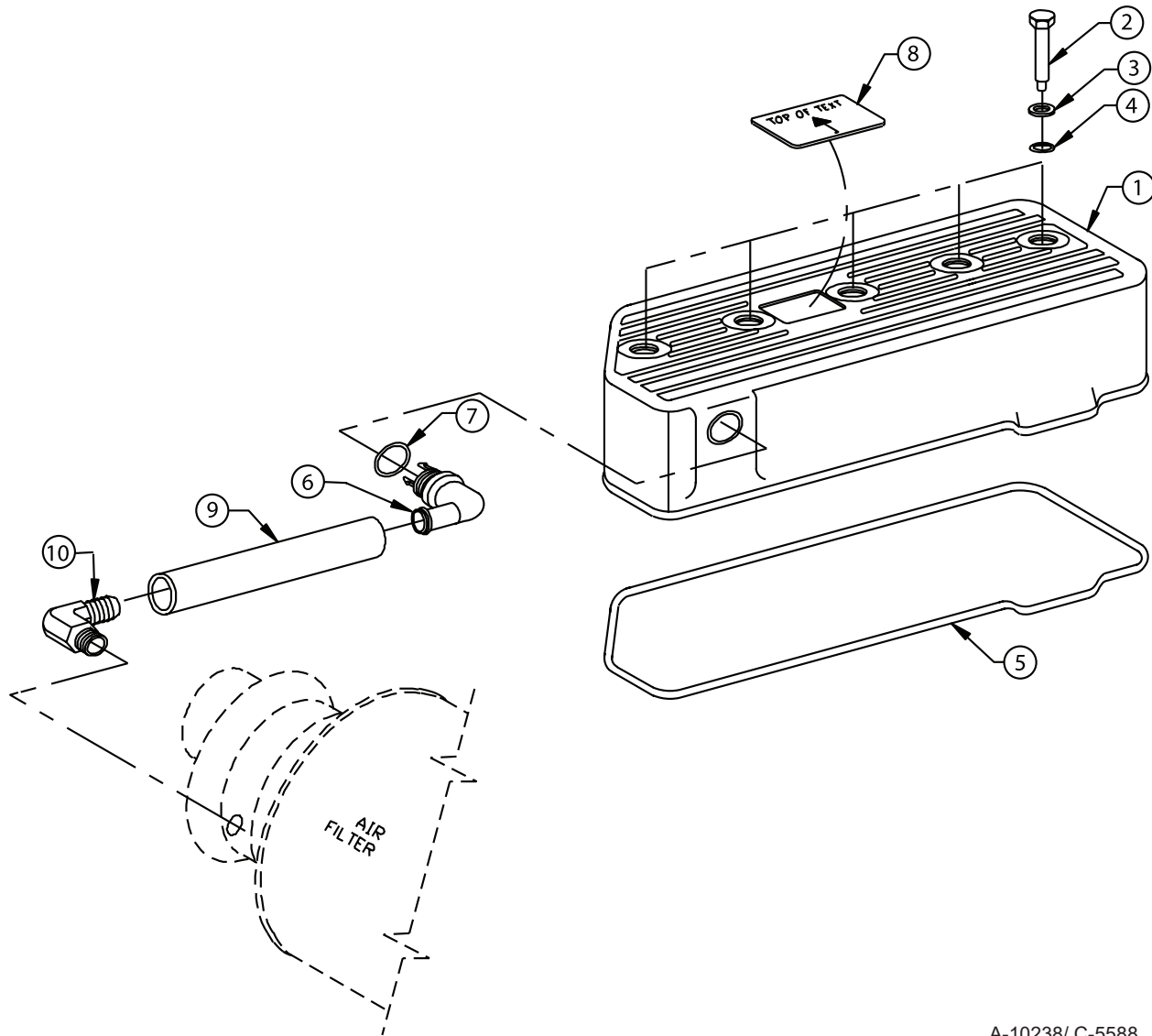
Rocker Shaft Assembly & Push Rods



Rocker Shaft Assembly & Push Rods

KEY	PART NUMBER	QTY	DESCRIPTION	SERIAL NUMBER
••	RE519896	1	Rocker Arm Shaft Assembly (includes keys #1-3, 7-9, 11-14)	-
1	19M9170	2	Capscrew, M8 x 50	-
2	R504631	2	Starter Relay	-
3	RE516490	1	Rocker Arm Shaft	-
	30M7004	1	Cap	-
4	24M7096	**	Washer	-
5	R521458	5	Bolt (Tapped M8 x 1.25)	-
6	R516140	3	Strap	-
7	14M7148	1	Nut, M10	-
8	RE523023	4	Rocker Arm, Intake (includes key #7)	-
9	RE504210	4	Rocker Arm, Exhaust (includes key #7)	-
10	R502341	8	Cross Bar	-
11	R505543	8	Spring	-
12	R519740	1	Support	-
13	R72328	1	O-ring	-
14	R505174	1	Gasket (marked R121402)	-
15	R504209	8	Push Rod	-
16	R123565	8	Cam Follower	-
			**As required	

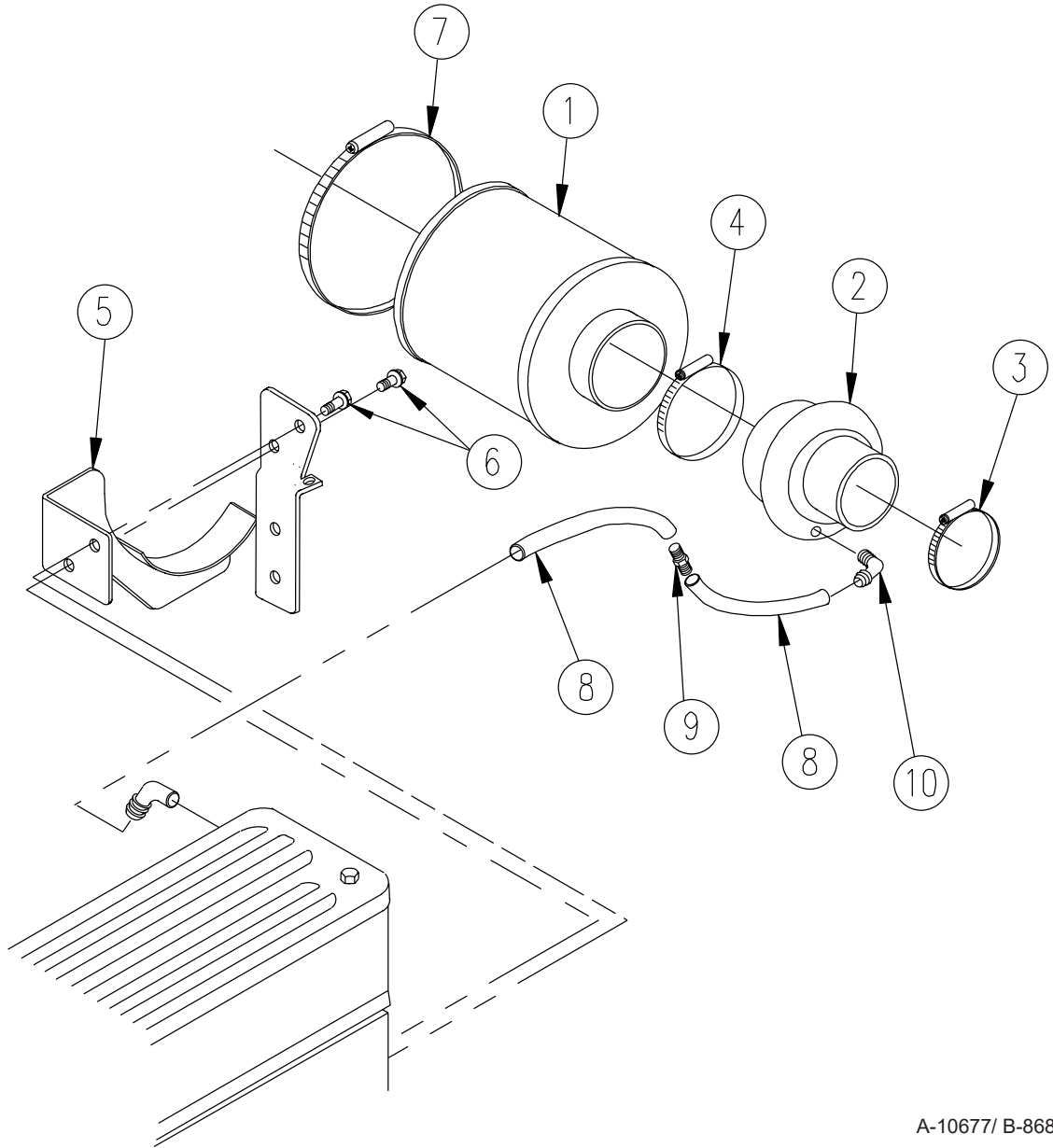
Rocker Arm Cover



A-10238/ C-5588

KEY	PART NUMBER	QTY	DESCRIPTION	SERIAL NUMBER
1	10-09404	1	Rocker Arm Cover	-
2	12-99502	5	Capscrew, Hex Head Special M8 x 1.25 x 78.8 mm S/S	-
3	15-09007	5	Flat Washer, M12 S/S	-
4	16-15005	5	O-ring	-
5	R505174	1	Gasket, Rocker Arm Cover Mounting	-
6	R120467	1	Elbow, Vent System Connection	-
7	16-01000	1	O-ring	-
8	00-09507	1	Label "Northern Lights"	-
9	41-00004	**	Hose 3/4" ID (sold per inch)	-
10	21-00025	1	Vent Elbow 3/4" Hose Barb	-

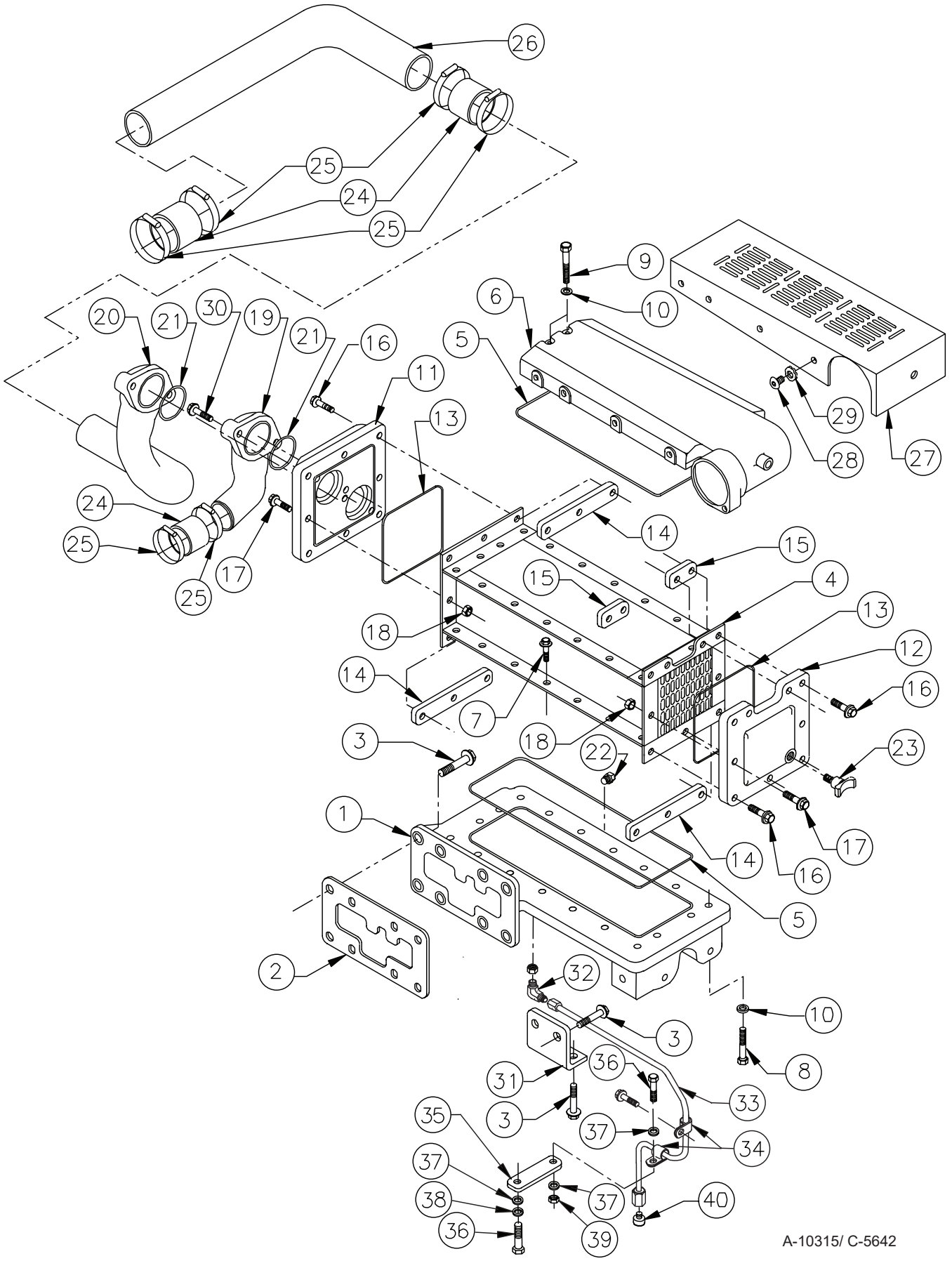
Air Filter and Mounting



A-10677/ B-8685

KEY	PART NUMBER	QTY	DESCRIPTION	SERIAL NUMBER
1	24-21000	1	Air Filter	-
2	18-29501	1	Hump Hose 4-1/8" I.D. x 2" I.D.	-
3	19-00036	1	Hose Clamp #36	-
4	19-00072	1	Hose Clamp #17	-
5	23-29402	1	Bracket	-
6	19M7786	2	Capscrew, Hex Head Flanged M10 x 1.5 x 30 mm	-
7	19-00128	1	Hose Clamp #128	-
8	145536461	2	Hose	-
9	21-13102	1	Male Union, Brass 3/4 HB	-
10	21-00025	1	Male Elbow, 90° PVC 3/4 HB x 3/4 HB	-

Intake and Aftercooler Assembly

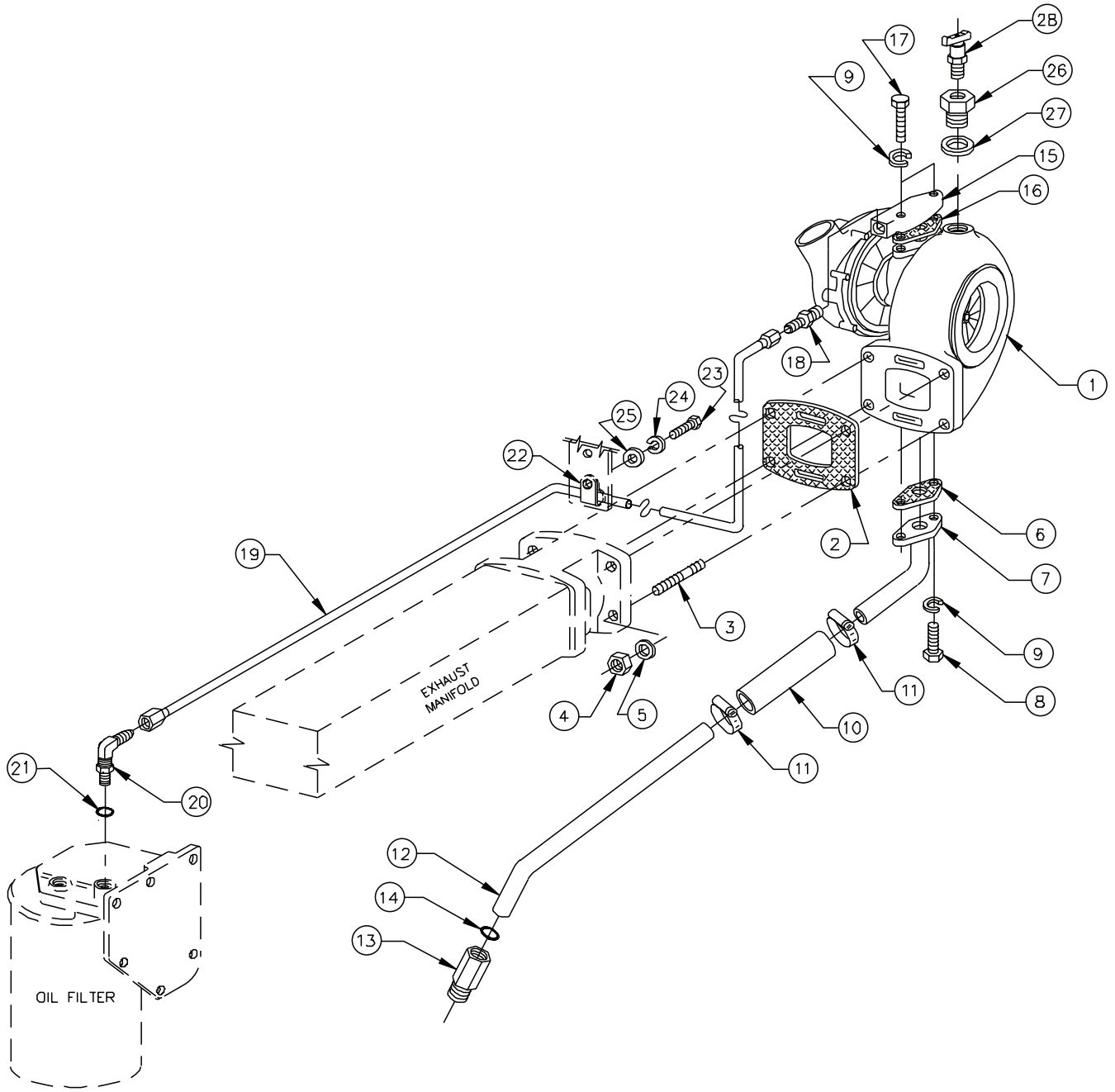


A-10315/ C-5642

Intake and Aftercooler Assembly

KEY	PART NUMBER	QTY	DESCRIPTION	SERIAL NUMBER
1	10-29401	1	Manifold, Intake & Aftercooler	-
2	R502916	1	Gasket, Intake Manifold	-
3	19M7785	12	Capscrew, Hex Head Flanged M10 x 1.5 x 25 mm	-
4	20-29401	1	Element, Intake Aftercooler	-
5	16-09401	2	O-ring	-
6	10-29402	1	Aftercooler Cover	-
7	19M7865	28	Capscrew, Hex Head Flanged M8 x 1.25 x 16 mm (Grade 10)	-
8	12-00732	2	Capscrew, Hex Head M8 x 1.25 x 160 mm (Grade 8.8)	-
9	12-00733	2	Capscrew, Hex Head M8 x 1.25 x 180 mm (Grade 8.8)	-
10	15-00706	4	Flat Washer M8 S/S	-
11	10-29503	1	Aftercooler Cover	-
12	10-29502	1	Aftercooler Cover	-
13	16-09504	2	O-ring	-
14	28-09501	3	Plate, Threaded (3 Places)	-
15	28-09502	2	Plate, Threaded (2 Places)	-
16	19M7866	13	Capscrew, Hex Head Flanged M8 x 1.25 x 20 mm (Grade 10)	-
17	19M7867	4	Capscrew, Hex Head Flanged M8 x 1.25 x 25 mm (Grade 10)	-
18	14M7298	4	Hex Nut, Flanged M8 x 1.25	-
19	27-09501	1	Connector, Raw Water Pump Outlet	-
20	27-09502	1	Connector, Aftercooler Outlet	-
21	16-13101	2	O-ring	-
22	21-00027	1	Plug, Socket Head Brass, 1/8 NPT	-
23	21-31624	1	Plug, Hex Head Brass 1/4 NPT	-
24	18-26002	3	Hose 2" ID x 3-3/4" 3 Ply Silicone	-
25	19-01032	6	Hose Clamp #32 Extended Band	-
26	27-19510	1	Tube, Heat Exchanger Inlet	-
27	00-29401	1	Heat Shield, Aftercooler	-
28	12-99757	9	Capscrew, Button Head Socket M8 x 1.25 x 16 mm S/S	-
29	15-99707	9	Wave Washer M8 S/S	-
30	19M8320	4	Capscrew, Hex Head Flanged M10 x 1.5 x 45 mm	-
31	23-29401	1	Bracket, Intake Manifold Support	-
32	21-09511	1	Male Elbow 90° S/S, 3/8 O-ring Port	-
33	27-29403	1	Tube Assembly, Aftercooler Condensate	-
34	19-72252	2	Adelle Clamp 3/8" I.D. x 3/8" Stud	-
35	23-25004	1	Bracket, Tube Support	-
36	12-09712	2	Capscrew, Hex Head M8 x 1.25 x 25 mm S/S	-
37	15-00706	3	Flat Washer M8 S/S	-
38	15-00705	1	Lock Washer, Helical M8 S/S	-
39	14-09712	1	Hex Nut, Nylock M8 x 1.25 S/S	-
40	21-29504	1	Drain, Aftercooler Condensate	-

Intake and Turbocharger Assembly



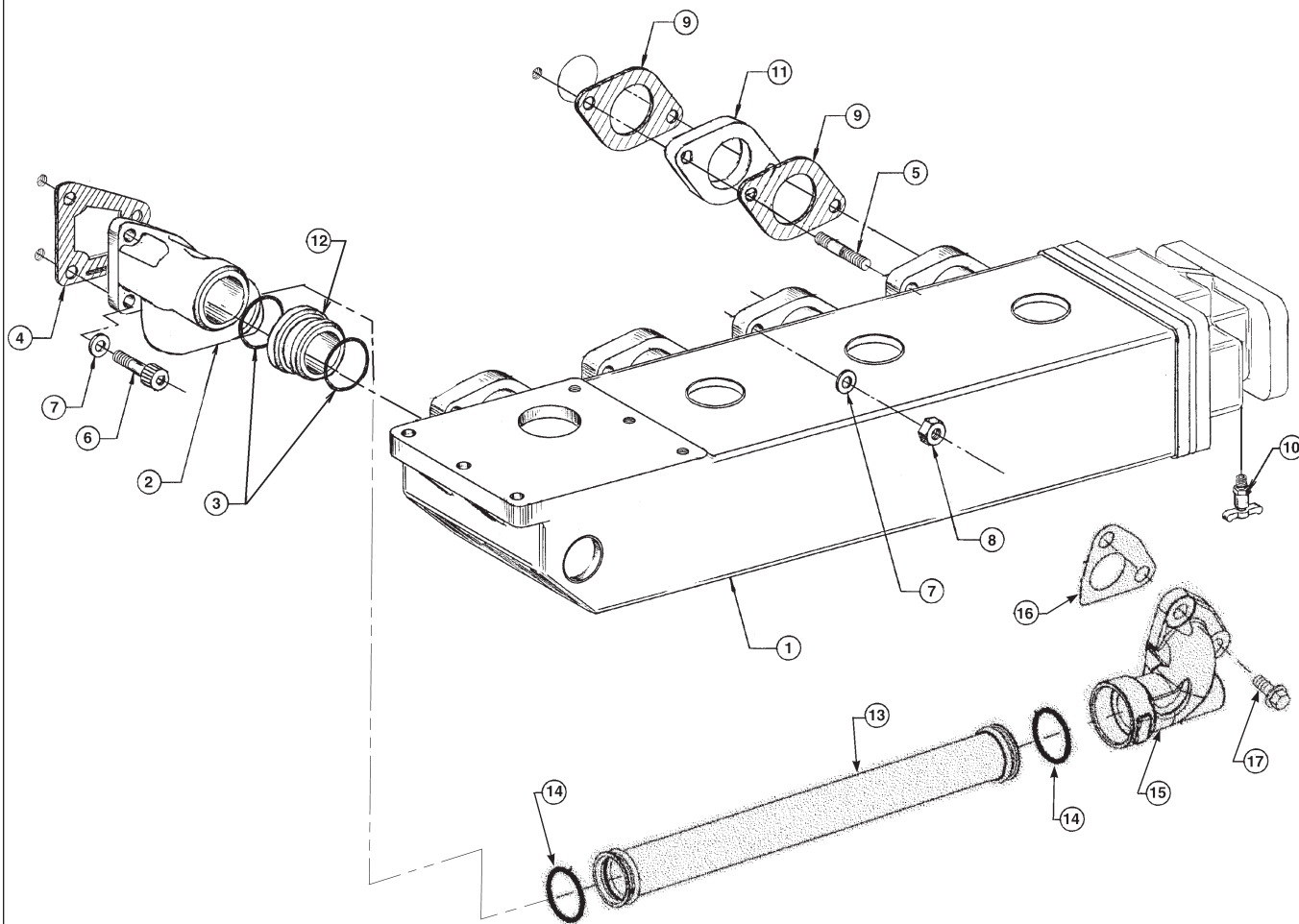
A-10325/ C-5649

Intake and Turbocharger Assembly

KEY	PART NUMBER	QTY	DESCRIPTION	SERIAL NUMBER
1	30-39400	1	Turbocharger K26	-
2	11-31401	1	Gasket	-
3	13-00814	4	Stud, M10 x 1.5 x 30 mm (42 mm LOA)	-
4	14-00817	4	Hex Nut, M10 x 1.5 S/S	-
5	15-00804	4	Wave Washer, M10	-
6	11-31031	1	Gasket, Turbo Oil Return	-
7	27-31602	1	Tube, Turbo Oil Return (Upper)	-
8	12-00711	2	Capscrew, Hex Head M8 x 1.25 x 20 mm	-
9	15-00702	4	Lock Washer, M8	-
10	18-11010	1	Hose, 3/4" I.D. x 4-1/4"	-
11	19-01012	2	Hose Clamp #12	-
12	27-39504	1	Pipe, Turbo Oil Return (Lower)	-
13	R41285	1	Adapter, O-ring Seal x 1/2 NPT	-
14	16-01000	1	O-ring	-
15	R43928	1	Adapter, Turbo Oil Supply	-
16	11-31012	1	Gasket	-
17	12-00714	2	Capscrew, Hex Head M8 x 1.25 x 40 mm	-
18	21-52800	1	Male Connector, Steel 3/8 NPT x 3/8- 37T	-
19	27-09401	1	Tube Assembly, Turbo Oil Supply	-
20	21-09501	1	Male Elbow, 90° Steel 3/8- 37T x M16 x 1.5 (includes key 21)	-
21	51M7042	1	O-ring	-
22	19-72252	1	Adelle Clamp 3/8" I.D. x 3/8" Stud	-
23	12-00751	1	Capscrew, Hex Head M8 x 1.25 x 16 mm	-
24	15-00702	1	Lock Washer, Helical M8	-
25	15-00701	1	Flat Washer M8	-
26	21-00077	1	Female Adapter, Steel 1/8 NPT x M22 x 1.5	-
27	15-09501	1	Sealing Washer, Copper M22	-
28	21-10001	1	Drain Cock, Brass 1/8 NPT	-

GROUP 2 - INTAKE AND EXHAUST SYSTEMS

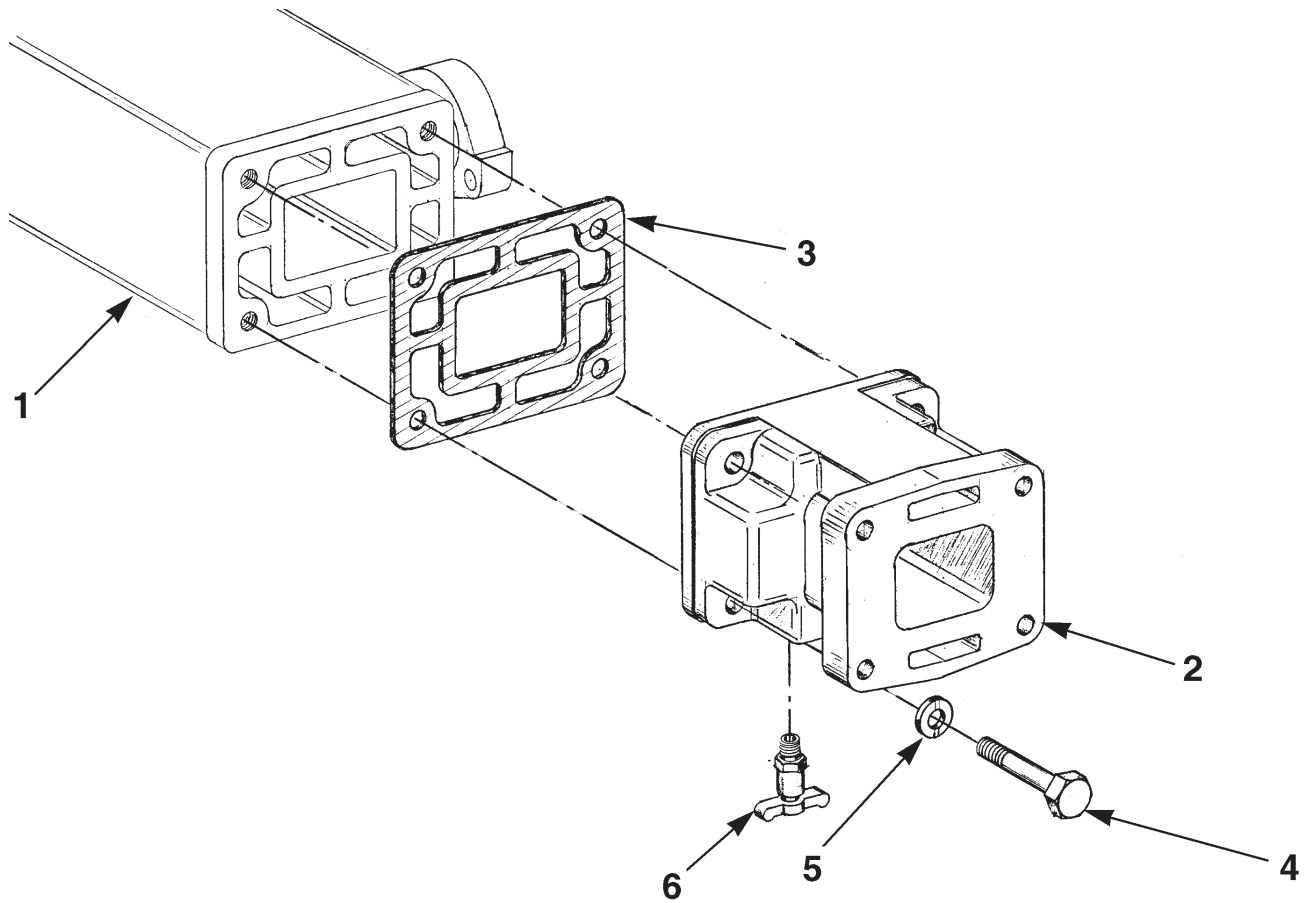
Exhaust Manifold



A-10271 / C-5643

KEY	PART NUMBER	QTY.	DESCRIPTION	SERIAL NUMBER
1	10-31001	1	Exhaust Manifold Assembly w/ Wet Flange (see Exhaust Manifold & Adapter detail)	-
2	27-19509	1	Coolant Connector	-
3	16-31000	1	O-Ring	-
4	11-39502	1	Gasket	-
5	13-00816	8	Stud, M10 x 1.5 x 50 mm	-
6	01437-01025	3	Capscrew, 12 Point M10 x 1.5 x 25 mm	-
7	15-00300	11	Flat Washer (special)	-
8	14-00810	8	Hex Nut, M10 x 1.5	-
9	11-31001	8	Gasket (previous # 11-31011)	-
10	21-10001	1	Drain Cock, Brass 1/8 NPT	-
11	28-39501	4	Spacer	-
12	31-19501	1	Coolant Connector	-
13	RE516026	1	Tube	-
14	R63185	2	O-ring	-
15	R504754	1	Manifold	-
16	R505480	1	Gasket	-
17	19M7785	1	Screw	-

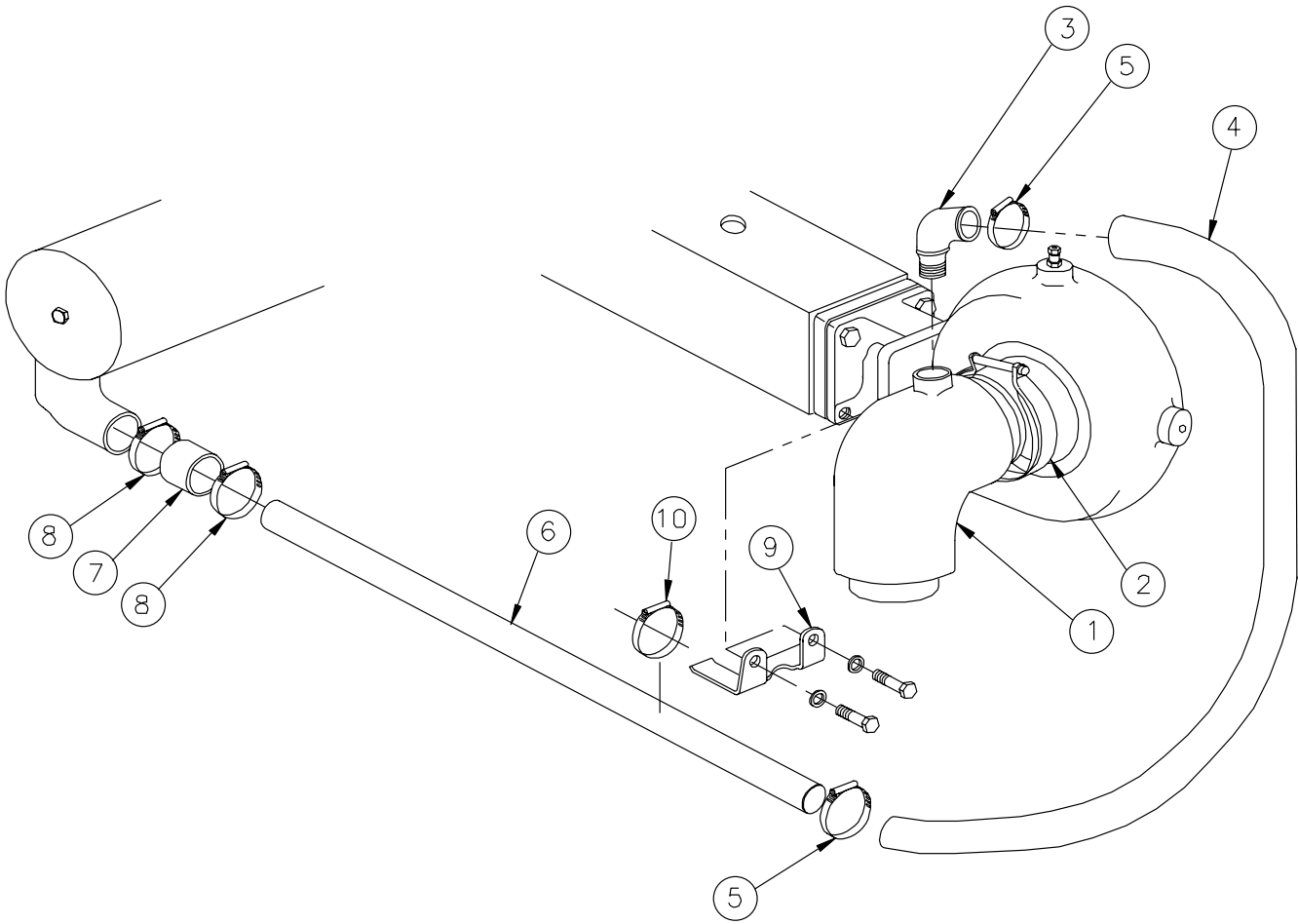
Exhaust Manifold and Adapter



A-4654 / C-2648

KEY	PART NUMBER	QTY.	DESCRIPTION	SERIAL NUMBER
1	10-31504	1	Exhaust Manifold	-
2	10-31506	1	Wet Exhaust Flange for Turbo Mounting	-
3	11-30013	1	Gasket	-
4	12-00414	4	Capscrew, Hex Head 7/16- 14 x 1- 1/2"	-
5	15-00402	4	Lock Washer 7/16	-
6	21-10001	1	Drain Cock 1/8 NPT	-

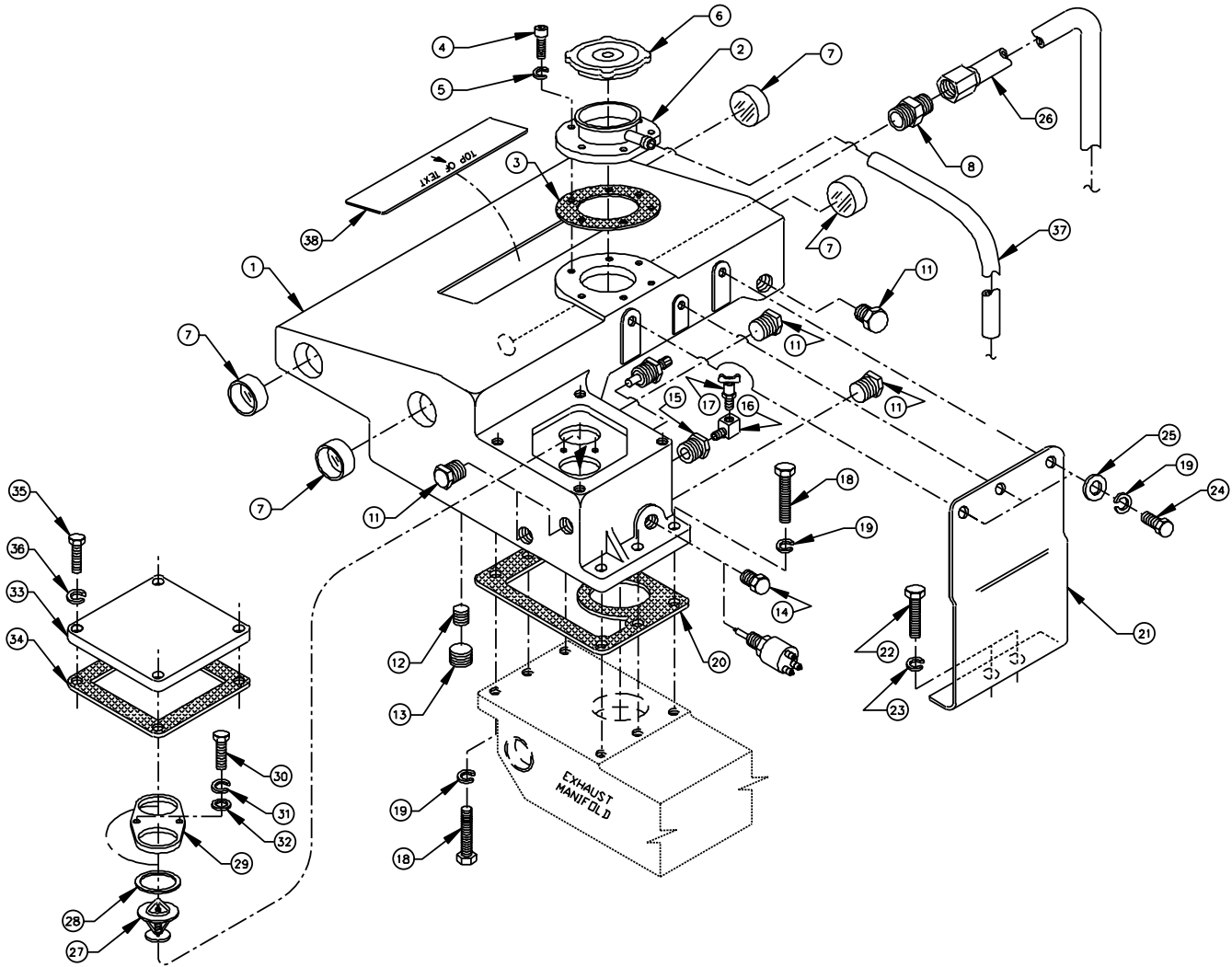
4" Wet Exhaust Elbow



A-10403, A-8514, A-8512/ B-8609

KEY	PART NUMBER	QTY.	DESCRIPTION	S/N
1	27-31412	1	Elbow, Wet Exhaust 4"	-
2	19-31401	1	V-Clamp	-
3	21-31005	1	Male Elbow, 90° Copper 1" NPT x 1-5/8" HB	-
4	41-14801	36"	Hose, 1-5/8" ID, Wire Reinforced	-
5	19-04028	2	Hose Clamp, #28	-
6	27-19406	1	Tube, Raw Water Discharge	-
7	18-26002	1	Hose, 2" ID x 2-3/4" 4 Ply Silicone	-
8	19-01032	2	Hose Clamp, #32 Extended Band S/S	-
9	23-19507	1	Bracket, Tube Support	-
10	19-00020	1	Hose Clamp #20	-

Expansion Tank Assembly



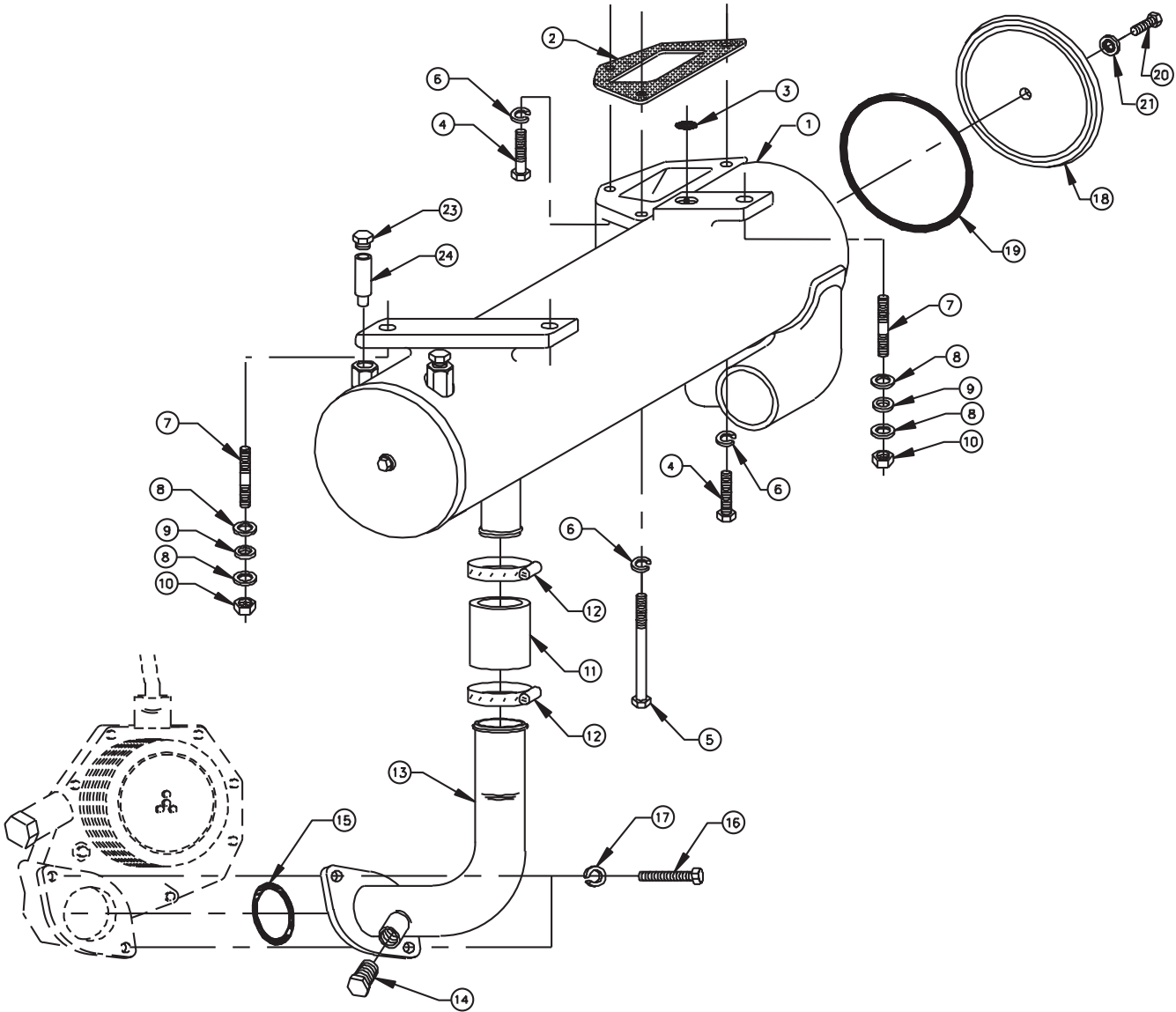
A-10160/ C-5005z

Expansion Tank Assembly

KEY	PART NUMBER	QTY	DESCRIPTION	SERIAL NUMBER
1	10-19501	1	Expansion Tank	-
2	10-11023	1	Filler Neck Assembly	-
3	11-11022	1	Gasket	-
4	12-20111	6	Capscrew, Socket Head, 1/4-20 x 3/4	-
5	15-00018	6	Lock Washer, High Collar, 1/4	-
6	21-10007	1	Filler Cap	-
7	17-10001	4	Expansion Plug	-
8	21-74801	1	Male Connector, Steel 3/4 NPT x 5/8- 37T	-
9	21-00027	**	Plug, Socket Head, Brass 1/8 NPT (not shown)	-
10	21-51901	**	Plug, Socket Head, Brass 1/4 NPT (not shown)	-
11	21-00530	**	Plug, Hex Head, Brass, 1/2 NPT	-
12	21-11003	1	Plug, Socket Head, Steel, 1/2 NPT	-
13	21-11004	1	Plug, Socket Head, Steel, 3/4 NPT	-
14	21-31003	**	Plug, Hex Head, Brass, 3/8 NPT	-
15	21-00136	1	Bushing, Brass, 1/2 NPT x 1/8 NPT	-
16	21-72044	1	Street Elbow 90 Degrees, Brass, 1/8 NPT	-
17	21-10001	1	Drain Cock, Brass, 1/8 NPT	-
18	12-00313	6	Capscrew, Hex Head 3/8-16 x 1-1/4"	-
19	15-00302	9	Lock Washer, Helical 3/8	-
20	11-11023	1	Gasket	-
21	23-19506	1	Bracket	-
22	12-00831	2	Capscrew, Hex Head, M10 x 1.5 x 25 mm	-
23	15-00802	2	Lock Washer, Helical M10	-
24	12-00311	3	Capscrew, Hex Head, 3/8-16 x 3/4"	-
25	15-00301	3	Flat Washer, 3/8"	-
26	27-19512	1	Tube Assembly	-
27	35-11000	1	Thermostat, 180°F/ 82°C	-
	35-12500	1	Thermostat, 169°F/ 76°C	-
28	11-10015	2	Seal Ring	-
29	35-11004	1	Clamp	-
30	12-00223	2	Capscrew, Hex Head, 5/16-18 x 3/4" S/S	-
31	15-00222	2	Lock Washer, Helical 5/16" S/S	-
32	15-11000	2	Flat Washer, 5/16 USS S/S	-
33	10-11024	1	Cover	-
34	11-11013	1	Gasket	-
35	12-00212	4	Capscrew, Hex Head 5/16-18 x 1"	-
36	15-00202	4	Lock Washer, Helical 5/16	-
37	41-01013	30"	Hose, 5/16" I.D., Polyvinyl	-
38	00-00006	1	Nameplate "Northern Lights"	-

**As required

Heat Exchanger

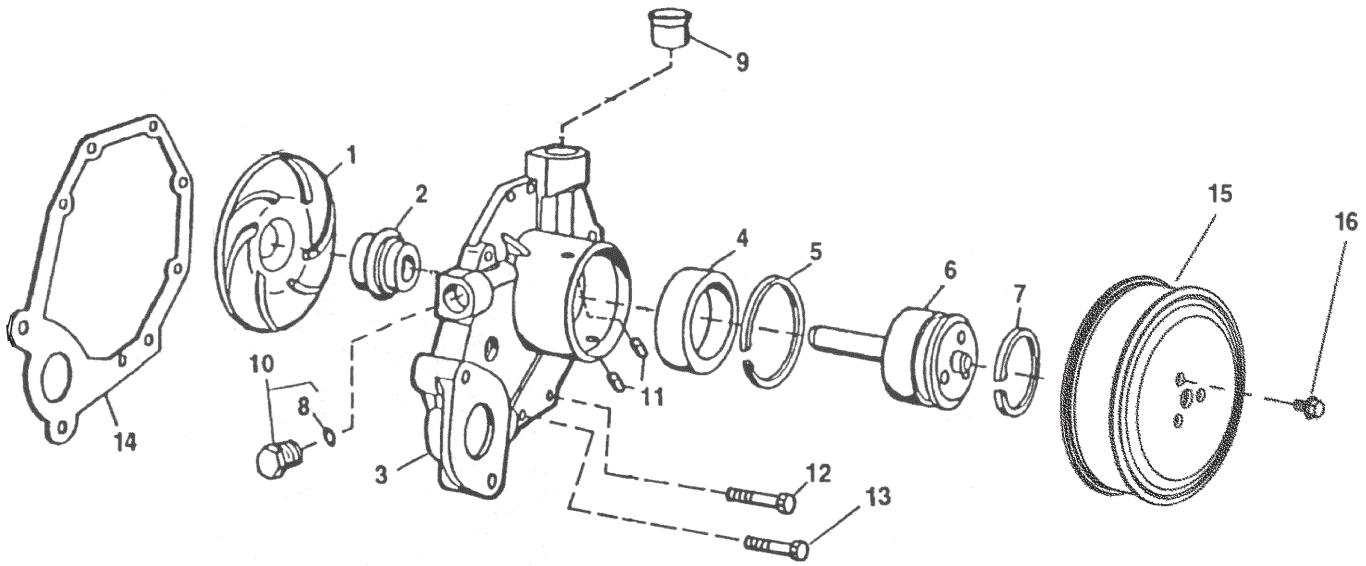


A-10162, A-10429/ C-5531

Heat Exchanger

KEY	PART NUMBER	QTY	DESCRIPTION	SERIAL NUMBER
1	20-19504	1	Heat Exchanger Assembly (Includes keys #18-24)	-
2	11-11043	1	Gasket	-
3	16-19502	1	O-ring	-
4	12-00313	2	Capscrew, Hex Head, 3/8-16 x 1-1/4"	-
5	12-00340	1	Capscrew, Hex Head, 3/8-16 x 4"	-
6	15-00302	3	Lock Washer, Helical 3/8	-
7	13-00335	3	Stud, 3/8-16 x 3/8-24 x 1-1/4"	-
8	15-70007	6	Snubbing Washer	-
9	15-19504	3	Neoprene Washer	-
10	14-00322	3	Hex Nut, Nylock 3/8-24	-
11	18-62520	1	Hose, 1-3/4" I.D. x 2-1/4"	-
12	19-01028	2	Hose Clamp #28	-
13	27-19511	1	Tube, Coolant Pump Inlet	-
14	21-00530	1	Plug, Hex Head, Brass, 1/2 NPT	-
15	16-14804	1	O-ring	-
16	12-00753	2	Capscrew, Hex Head, M8 x 1.25 x 30 mm	-
17	15-00702	2	Lock Washer, Helical M8	-
18	20-19502	2	End Cover	-
19	16-19501	2	O-ring	-
20	12-09312	2	Capscrew, Hex Head, 3/8-16 x 1" S.S.	-
21	15-19501	2	Sealing Washer	-
22	21-51905	**	Plug, Socket Head, 1" NPT	-
23	21-10000	2	Zinc Plug	-
24	21-10010	2	Zinc Electrode	-
			**As required	

Coolant Pump

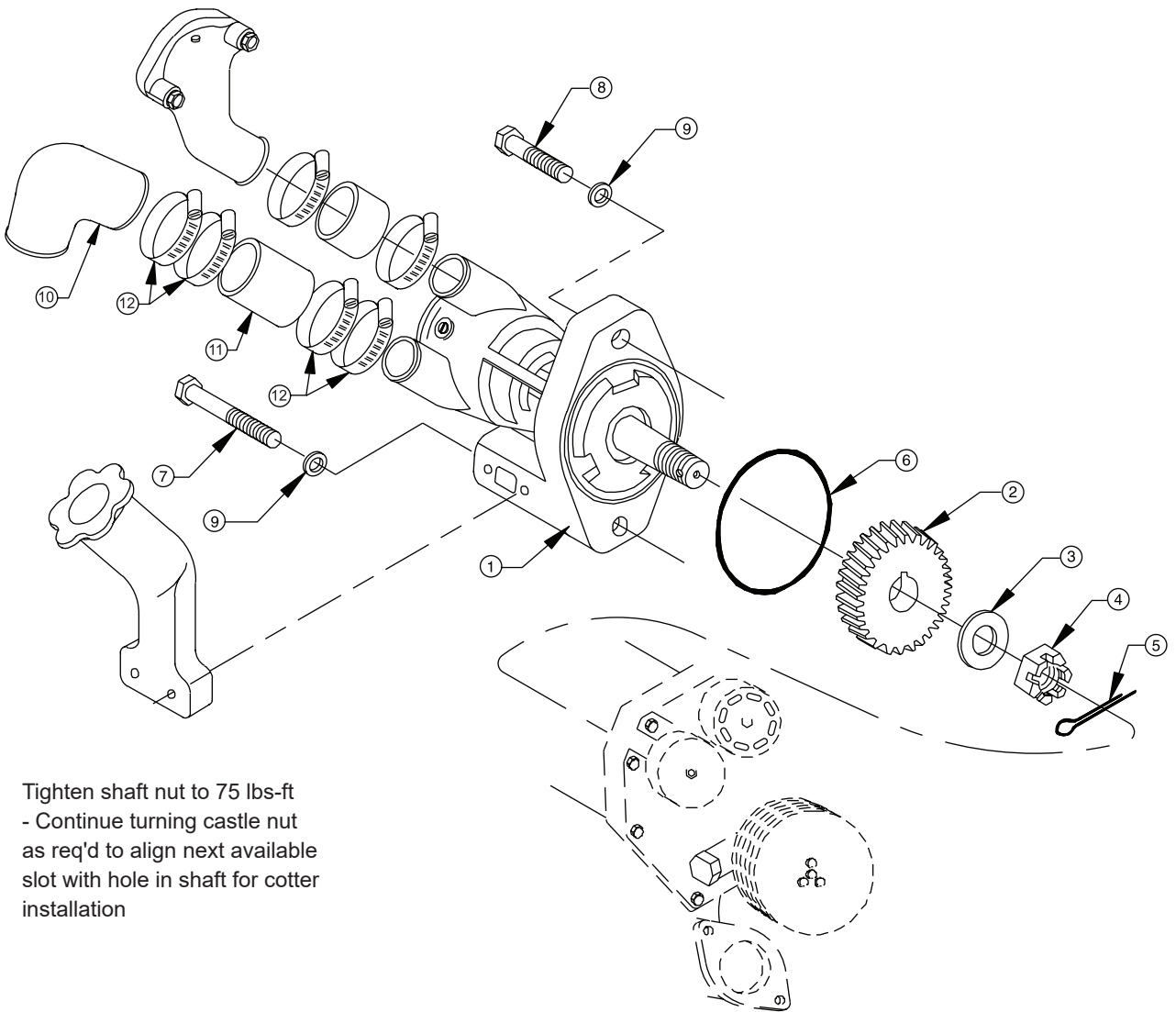


Reproduced by permission of Deere & Co., c2005. Deere & Company. All rights reserved.

TP50847 & RGP6114

KEY	PART NUMBER	QTY	DESCRIPTION	SERIAL NUMBER
••	RE505980	1	Coolant Pump, Cast Iron (marked R503509, includes keys 1-11)	-
•	RE509813	1	Repair Kit (includes keys 1-2, 4-9 & 11)	-
1			Impeller*	-
2			Seal*	-
3			Housing*	-
4			Ball Bearing*	-
5			Ring*	-
6			Shaft*	-
7	A364R	1	Snap Ring	-
8	51M7043	1	O-ring	-
9	R123226	1	Gasket	-
10	RE46685	1	Plug	-
11	R100369	2	Filter	-
12	19M7863	5	Capscrew, M6 x 25	-
13	19M7796	3	Capscrew, M6 x 30	-
14	R123417	1	Gasket	-
15	R115250	1	Pulley, 93 mm OD	-
16	19M7784	1	Capscrew, Flanged Head M6 x 1.0 x 12 mm	-
17	RE508566	1	Timing Cover Insert Kit (not shown)	-
			*Not available separately - order Pump Repair Kit or Coolant Pump Assembly	

Raw Water Pump and Mounting

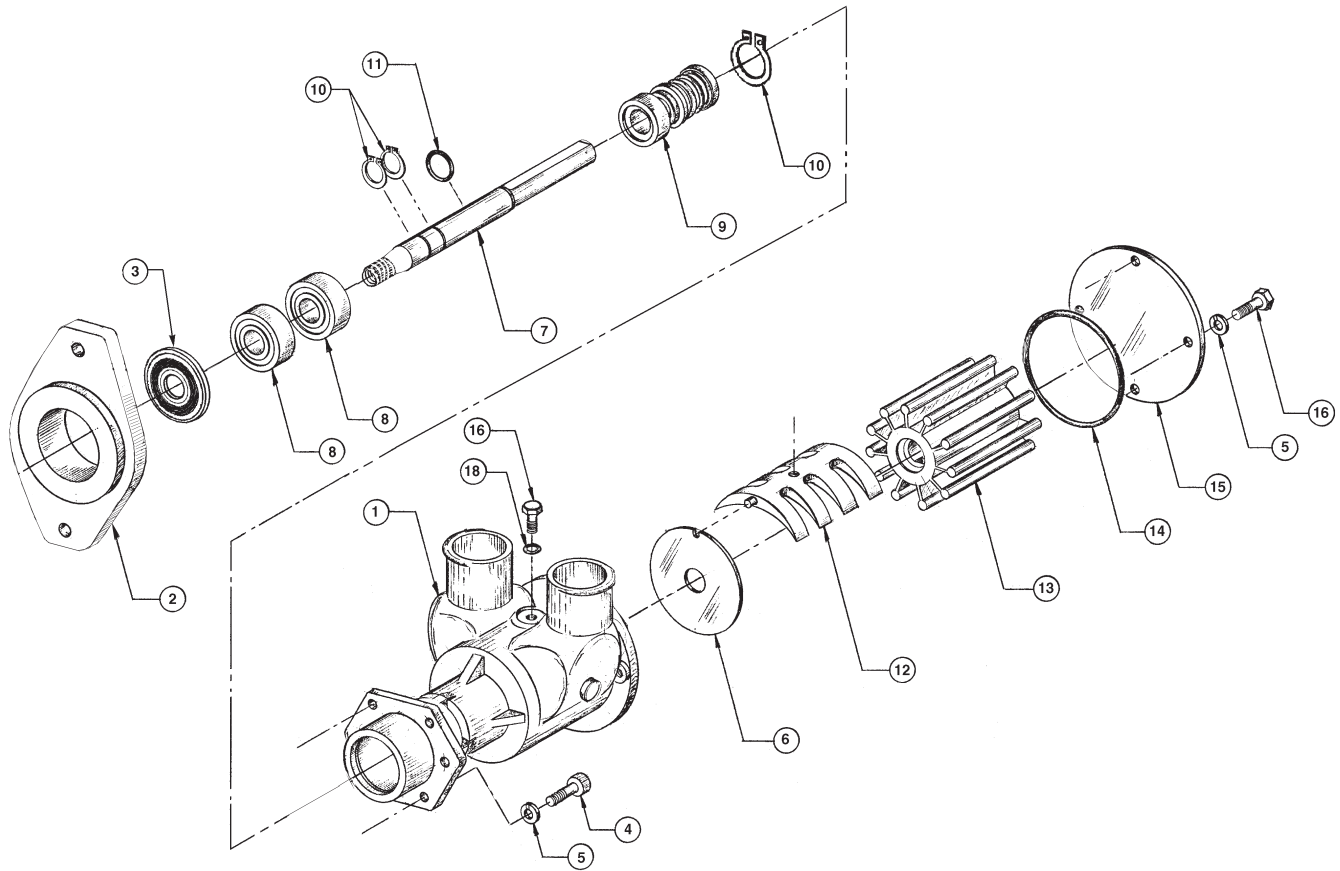


Tighten shaft nut to 75 lbs-ft
 - Continue turning castle nut
 as req'd to align next available
 slot with hole in shaft for cotter
 installation

A-10161/ C-5450

KEY	PART NUMBER	QTY	DESCRIPTION	SERIAL NUMBER
1	25-19522	1	Raw Water Pump Assembly (See Parts Detail)	-
2	R135101	1	Gear	-
3	15-19503	1	Shaft Flat Washer	-
4	14-19501	1	Hex Nut, Slotted	-
5	32-00005	1	Cotter Pin	-
6	16-19503	1	O-ring	-
7	12-00922	1	Capscrew, Hex Head, M12 x 1.75 x 90 mm	-
8	12-00956	1	Capscrew, Hex Head, M12 x 1.75 x 65 mm	-
9	15-00007	2	Flat Washer M12	-
10	21-19504	1	Connector	-
11	41-01112	3	Hose 2" I.D. Silicone	-
12	19-01032	4	Hose Clamp, #32 Extended Band	-

Raw Water Pump Assembly - Engine



A-10161/ D-2259A

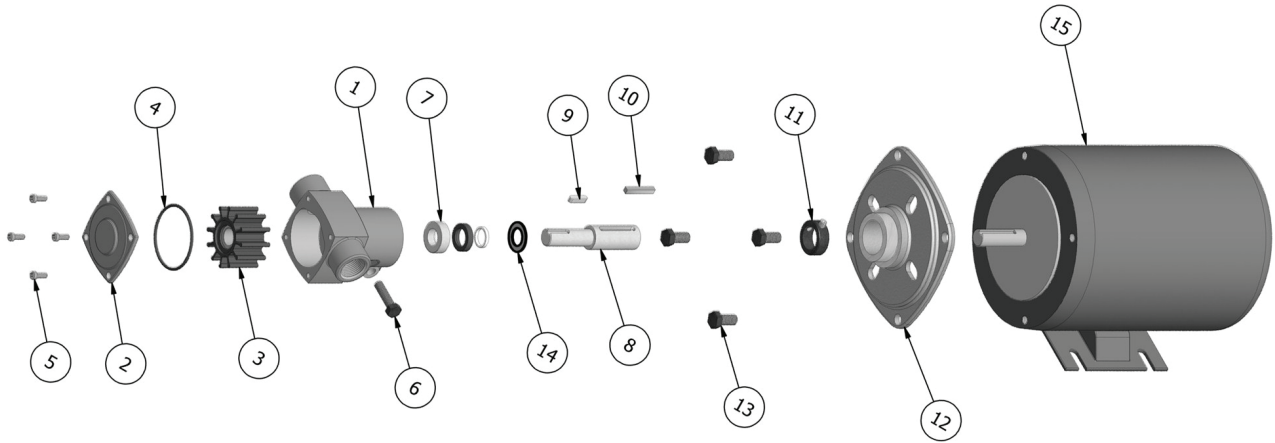
KEY	PART NUMBER	QTY	DESCRIPTION	SERIAL NUMBER
●●	25-19522	1	Raw Water Pump Assembly (Includes all keys)	-
1	25-19502	1	Housing	-
2	31-19501	1	Adapter	-
3	25-19521	1	Oil Seal	-
4	25-15717	6	Capscrew, Socket Head M6 x 1.0 x 25 mm S/S	-
5	15-00610	10	Lock Washer, M6 S/S	-
6	25-15706	1	Wear Plate	-
7	25-19524	1	Shaft	-
8	25-15708	2	Bearing	-
9	25-19526	1	Mechanical Seal	-
10	25-15716	3	Snap Ring	-
11	25-15713	1	O-ring	-
12	25-15703	1	Cam	-
13	25-15704	1	Impeller	-
14	25-15711	1	O-ring	-
15	25-19523	1	End Cover	-
16	25-15718	5	Capscrew, Socket Head M6 x 1.0 x 16 mm S/S	-
18	25-15714	1	O-ring	-

Raw Water Pump Assembly - Drive System

Suction Lift:

Suction lift of 15 ft. is possible when impeller is wet. Suction lines must be air tight in order for the pump to self prime. A foot valve at the beginning of suction line is recommended.

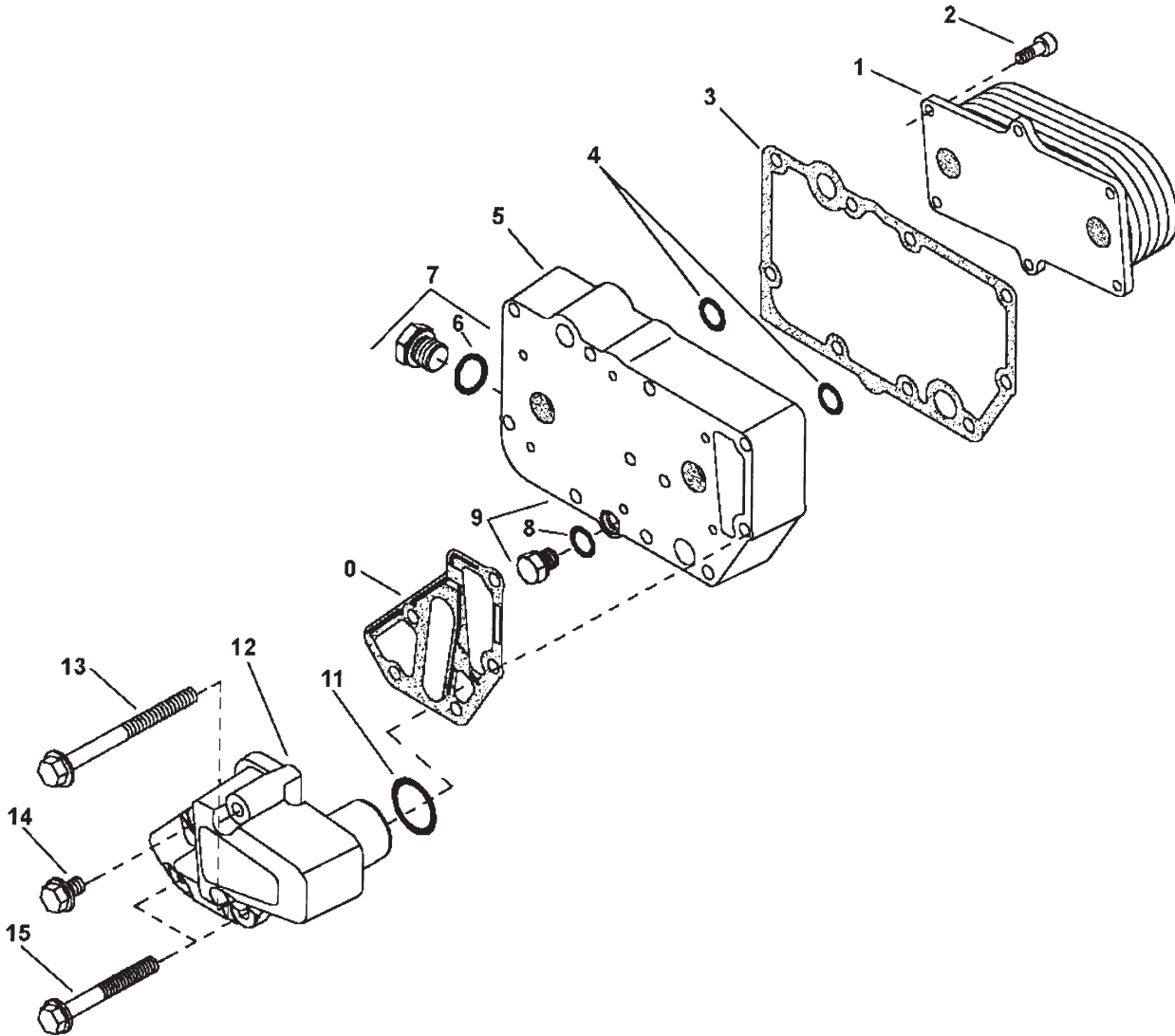
Exploded View and Parts List:



Pump No.	Configuration Impeller Material/Motor HP/ Voltage	1	2	3	4	5	6	7	8	9	10	11	12	13	14	15	Repair Kit
		Body	Cover	Impeller	O-Ring	Screw	Screw	Seal	Shaft	Key	Key	Collar	Adapter	Screw	Washer	Motor	
		Qty. 1	Qty. 1	Qty. 1	Qty. 1	Qty. 1	Qty. 1	Qty. 1	Qty. 1	Qty. 1	Qty. 1	Qty. 1	Qty. 1	Qty. 1	Qty. 1	Qty. 1	
N305M-C82	Neoprene																
	Neoprene / 1.4 HP / 24 VDC	25-16001	25-16002	25-16003	25-16004	25-16006	25-16007	25-16008	25-16009	25-16011	25-16012	25-16013	25-16014	25-16016	25-16017	25-16018	25-16010

= Items that are included in the repair kit

Engine Oil Cooler

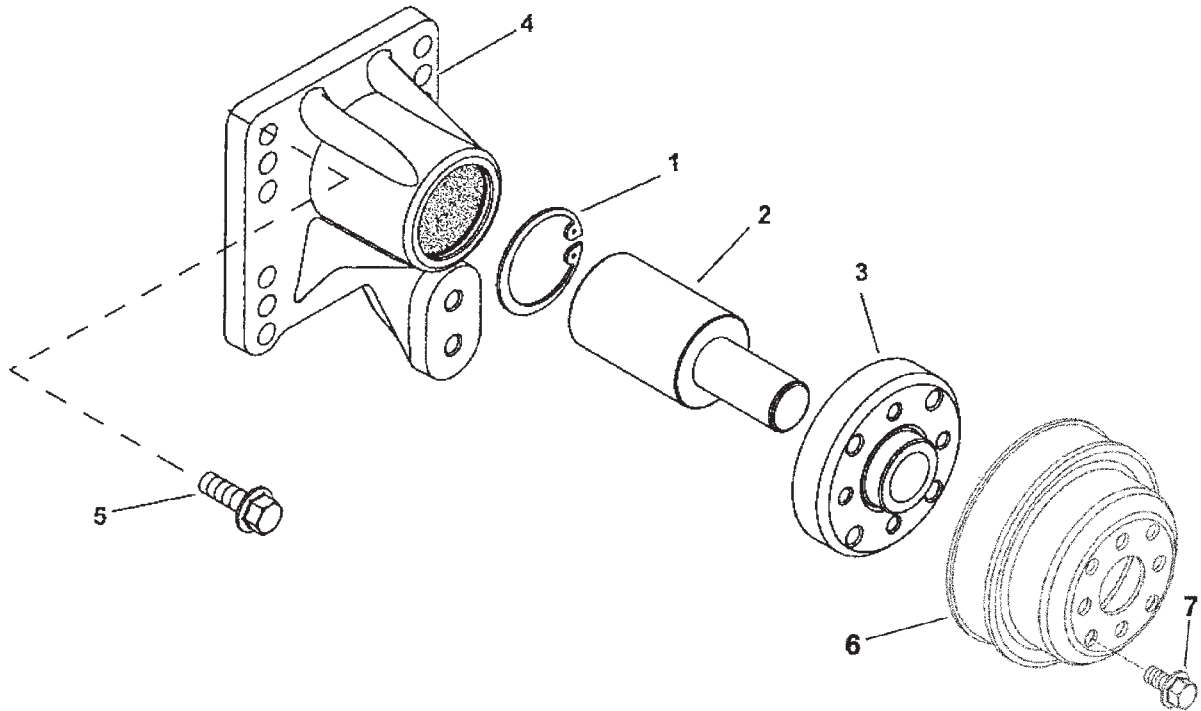


Reproduced by permission of Deere & Co., c2005. Deere & Company. All rights reserved.

RGP8307

KEY	PART NUMBER	QTY	DESCRIPTION	SERIAL NUMBER
1	RE56690	1	Oil Cooler	-
2	RE67231	6	Capscrew, M6 x 16	-
3	R123501	1	Gasket	-
4	T122075	2	O-ring	-
5	R123471	1	Housing	-
6	51M7043	1	O-ring	-
7	RE46685	1	Plug	-
8	51M7040	1	O-ring	-
9	RE46686	1	Plug	-
10	R501428	1	Gasket	-
11	R504734	1	O-ring	-
12	R502811	1	Adapter	-
13	19M7970	2	Capscrew, M8 x 100	-
14	RE67238	1	Capscrew, M8 x 20	-
15	19M7802	2	Capscrew, M8 x 65	-

Idler Shaft Assembly

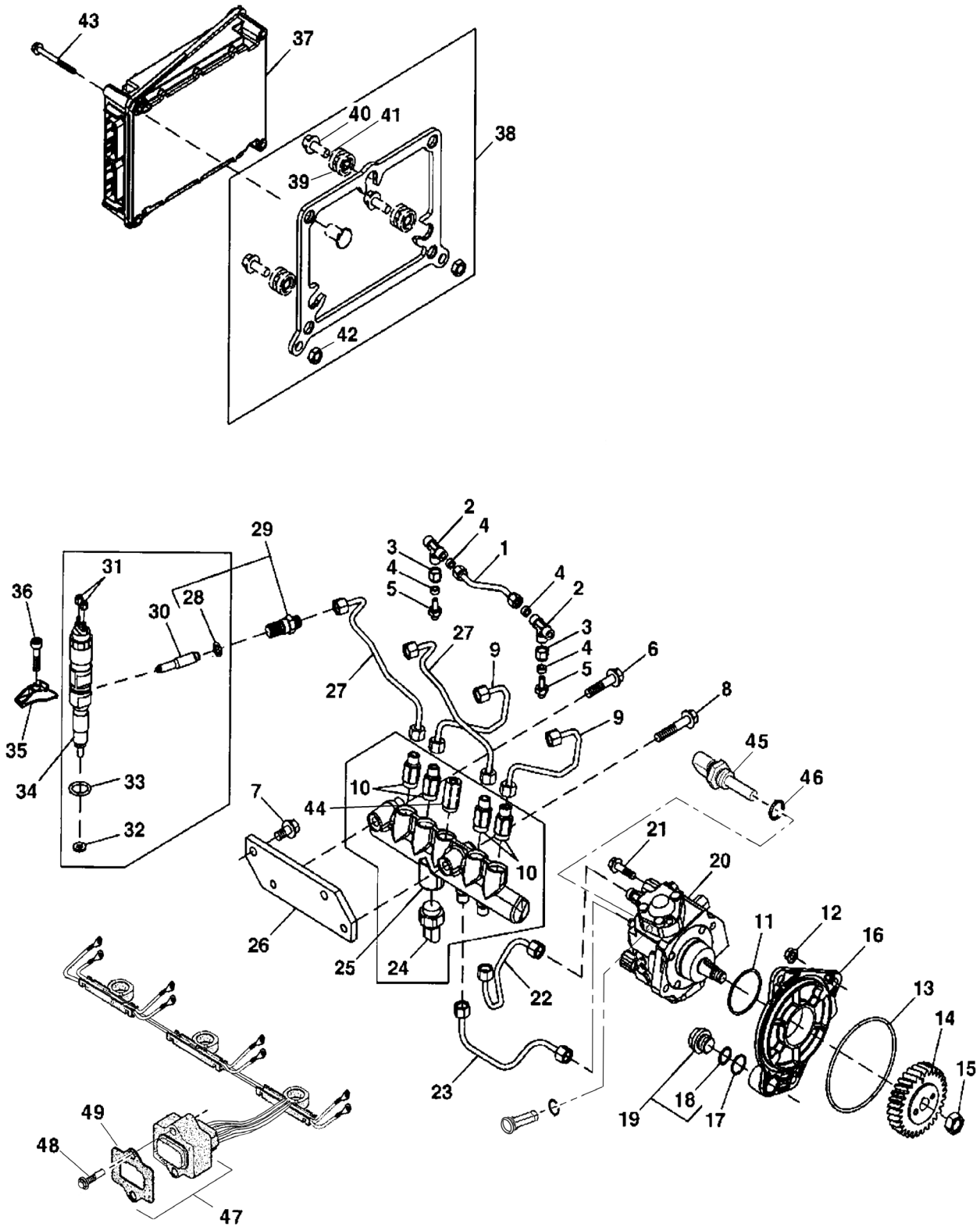


Reproduced by permission of Deere & Co., c2005. Deere & Company. All rights reserved.

RGP9065

KEY	PART NUMBER	QTY	DESCRIPTION	SERIAL NUMBER
1	RE503664	1	Idler Shaft (includes keys #2-4)	-
2	E1343FN	1	Snap Ring	-
3		1	Shaft*	-
4		1	Hub*	-
5	19M7786	4	Capscrew, Hex Head Flanged M10 x 1.5 x 30 mm	-
6	R128660	1	Pulley, 168 mm O.D.	-
7	19M7784	4	Capscrew, Hex Head Flanged M10 x 1.5 x 20 mm	-
<p>*No longer available separately - order complete Idler Shaft assembly.</p>				

Fuel Injection System



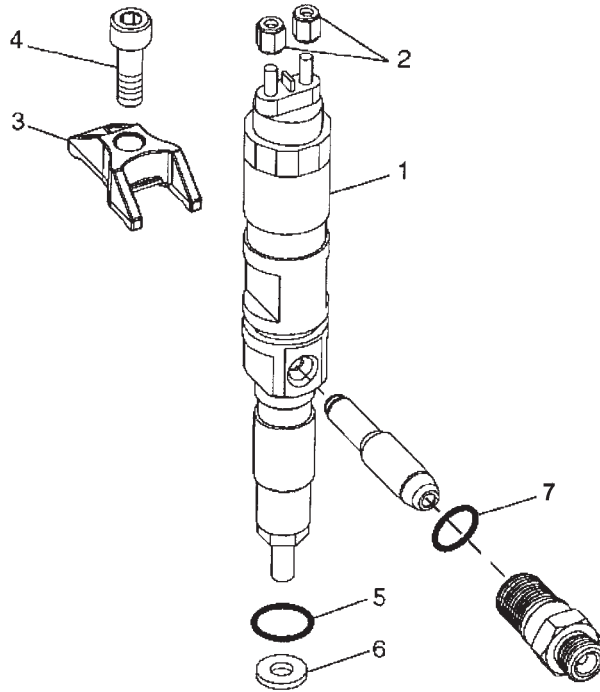
Reproduced by permission of Deere & Co., c2005. Deere & Company. All rights reserved.

RE517142SPA

Fuel Injection System

KEY	PART NUMBER	QTY	DESCRIPTION	SERIAL NUMBER
1	R503307	2	Tube	-
2	R97061	4	Tee Fitting	-
3	R123593	8	Tube Nut	-
4	R51936	8	Sealing Washer	-
5	R503308	4	Fitting	-
6	19M8320	1	Capscrew, M10 x 45	-
7	19M7784	2	Capscrew, M10 x 20	-
8	19M8528	1	Capscrew, M10 x 55	-
9	RE507539	2	Injection Line #1 and #2	-
10	RE515636	4	Restrictor	-
11	R516125	1	O-ring	-
12	14M7298	3	Flange Nut, M8	-
13	R55453	1	O-ring	-
14	R502541	1	Gear	-
15	R91360	1	Nut	-
16	R504577	1	Adapter	-
17	R116031	1	O-ring	-
18	51M7044	1	O-ring	-
19	RE501938	1	Plug	-
20	RE507959	1	Pump	-
21	19M7868	2	Capscrew, M8 x 30	-
22	RE507537	1	Fuel Line	-
23	RE507538	1	Fuel Line	-
24	RE520930	1	Sensor, Fuel Manifold Pressure	-
25	RE507972	1	Rail	-
26	R504578	1	Bracket	-
27	RE507540	2	Injection Line #3 and #4	-
28	R65397	4	O-ring	-
29	R515044	4	Nut	-
30	RE515986	4	Tube	-
31	R134920	8	Nut	-
32	R515535	4	Washer	-
33	R505452	4	O-ring	-
34	RE516540	4	Fuel Injector, Electronic Unit Type	-
35	R504779	4	Clamp	-
36	R504781	4	Capscrew	-
37	26-9940200H129	1	Engine Controller	-
38	RE500588	1	Bracket (includes keys 39, 40, 41, 42)	-
39	R500488	3	Isolator	-
40	12-00814	3	Capscrew, Hex Head M10 x 1.5 x 35 mm	-
41	15-70006	3	Flat Washer (Special)	-
42	14-00812	3	Hex Nut, Nylock M10 x 1.5	-
43	19M8804	4	Capscrew, M6 x 65	-
44	RE516335	1	Relief Valve	-
45	RE516336	1	Sensor, Fuel Temperature	-
46	R50919	1	O-ring	-
47	RE509112	1	Wiring Harness	-
48	19M7775	2	Capscrew, M6 x 16	-
49	R520740	1	Gasket	-

Fuel Injector

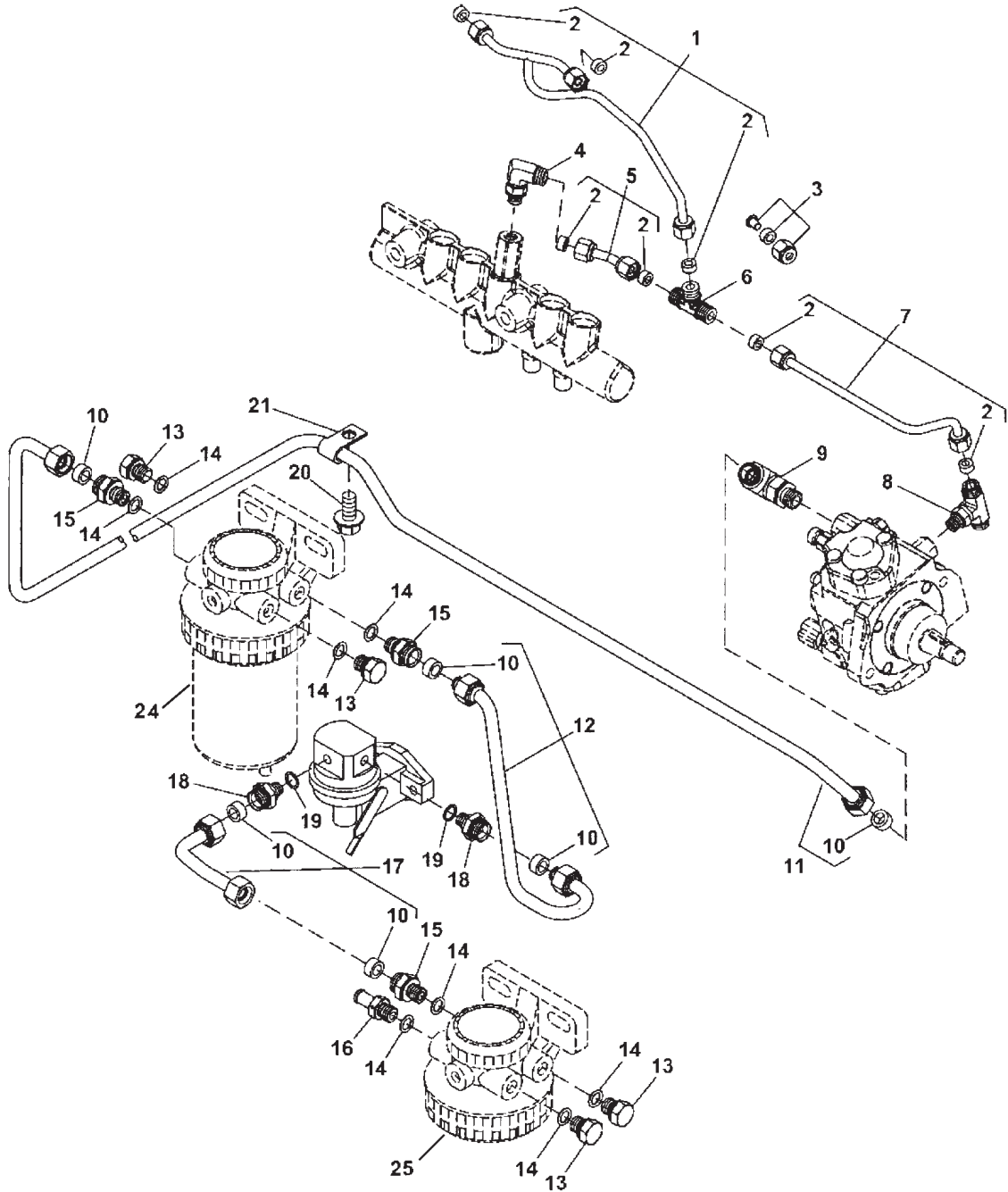


Reproduced by permission of Deere & Co., c2007. Deere & Company. All rights reserved.

RGP8843

KEY	PART NUMBER	QTY	DESCRIPTION	SERIAL NUMBER
1	RE516540	4	Injection Nozzle	-
2	R134920	8	Nut	-
3	R518345	4	Clamp	-
4	R504781	4	Capscrew, M8 x 35	-
5	R505452	4	O-ring	-
6	R515535	4	Washer	-
			**As required	

Fuel Filter and Fuel Lines

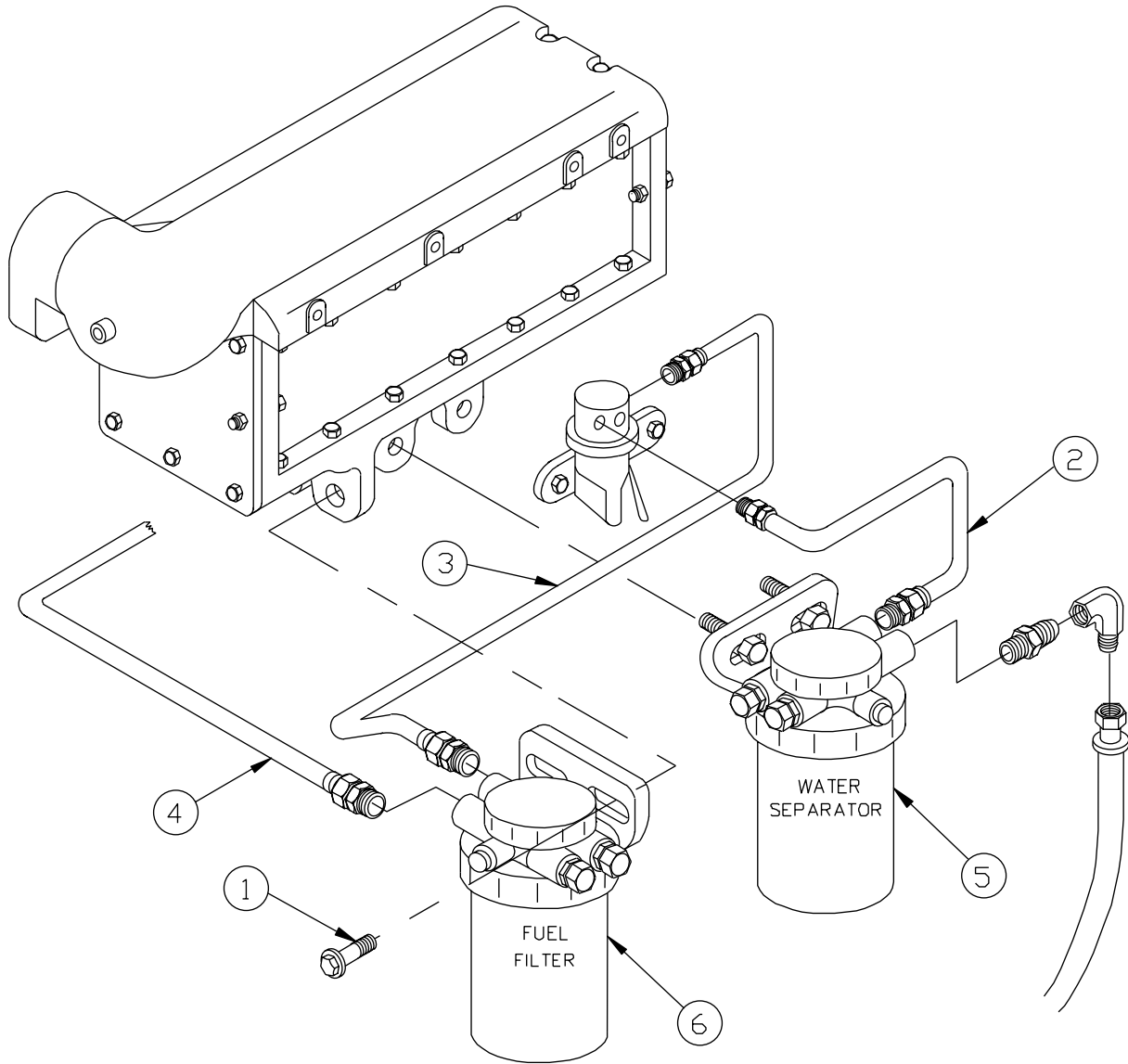


Fuel Filter and Fuel Lines

KEY	PART NUMBER	QTY	DESCRIPTION	SERIAL NUMBER
1	RE508892	1	Fuel Line	-
	R123593	1	Tube Nut	-
2	R51936	7	Seal	-
3	AR85519	3	Plug	-
4	RE502173	1	Adapter	-
5	RE515560	1	Tube Assembly	-
6	R97061	1	Tee Fitting	-
7	RE508893	1	Tube Assembly	-
8	RE502175	1	Fitting	-
9	RE502174	1	Elbow Fitting	-
10	R67092	6	Seal	-
11	27-59408	1	Tube Assembly, Final Fuel Filter Outlet (Marine)	-
12	RE517245	1	Tube Assembly, Fuel Pump Outlet	-
13	RE46686	4	Plug	-
14	51M7040	8	O-ring	-
15	RE60030	3	Fitting	-
16	RE500576	1	Male Connector M12 x 1.5 x 3/8" Hose Barb	-
17	RE517234	1	Tube Assembly, Fuel Pump Inlet	-
18	R516453	1	Adapter	-
19	R500271	2	O-ring	-
21	T13814	1	Clamp	-
24		1	Secondary Fuel Filter - See parts detail	-
25		1	Primary Fuel Filter - See parts detail	-

GROUP 4 - FUEL SYSTEM

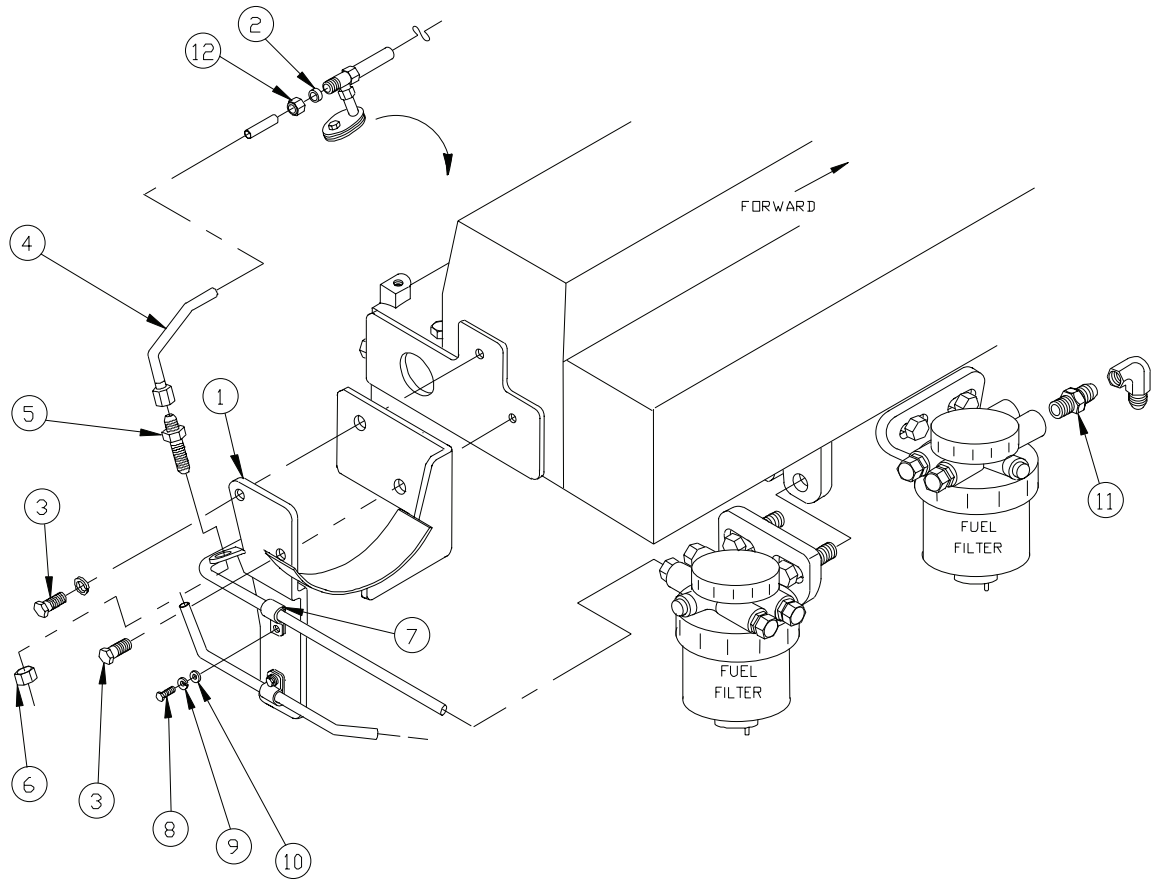
Fuel Supply & Return Connections, Filter & Water Separator



A-10374/ B-8698

KEY	PART NUMBER	QTY	DESCRIPTION	SERIAL NUMBER
1	12-80832	4	Capscrew, Hex Head Flanged M10 x 1.5 x 30 mm	-
2	27-59406	1	Tube Assembly, Fuel Lift Pump Inlet	-
3	27-59407	1	Tube Assembly, Fuel Lift Pump Outlet	-
4	27-59408	1	Tube Assembly, Final Fuel Filter Outlet	-
5		1	Water Separator	-
6		1	Fuel Filter	-
			} See parts detail	

Fuel Supply & Return Connections

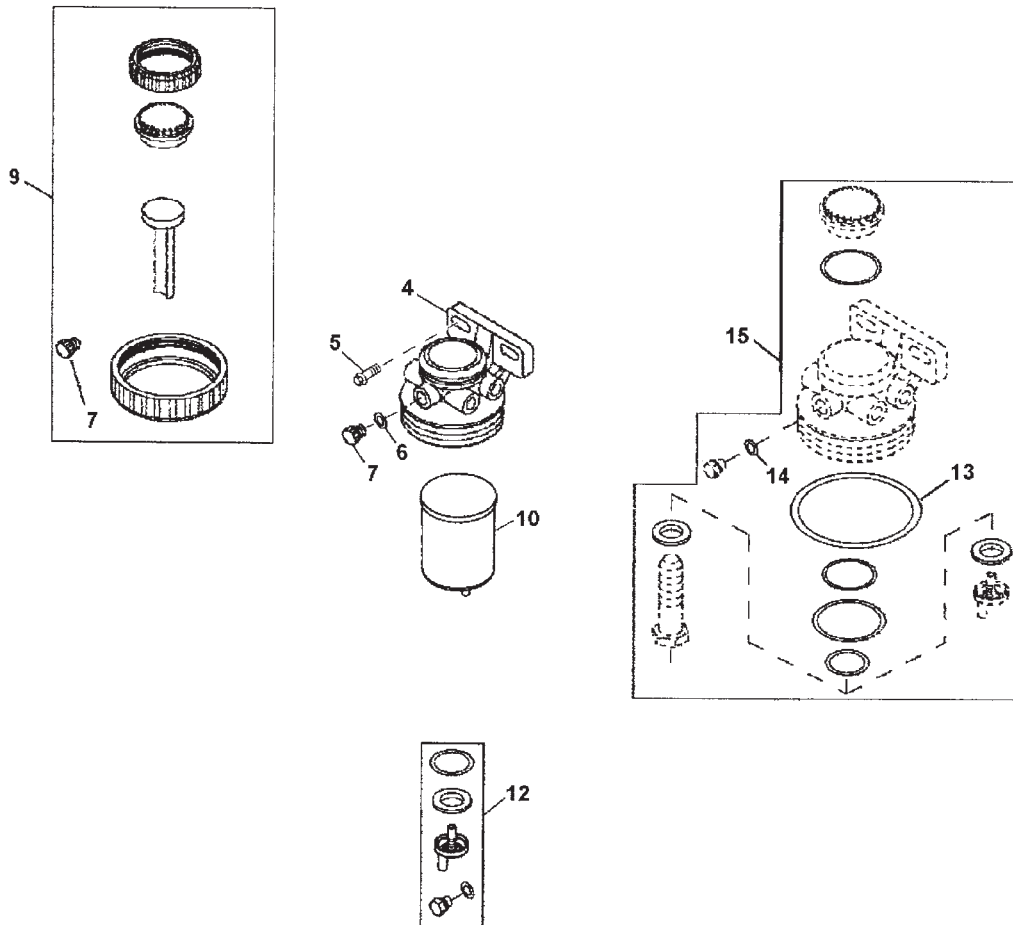


A-10683/ C-5804

KEY	PART NUMBER	QTY	DESCRIPTION	SERIAL NUMBER
1	23-09513	1	Bracket, Tube Support	-
2	R51936	1	Tube Seal	-
3	19M7786	2	Capscrew, Hex Head Flanged M10 x 1.5 x 30 mm	-
4	27-59503	1	Tube Assembly, Fuel Return	-
5	21-59512	1	Bulkhead Union, 45° Steel 1/4-37T	-
6	14-00012	1	Bulkhead Nut, 7/16- 20 (1/4-37T)	-
7	19-72252	1	Adelle Clamp 3/8" ID x 3/8" Stud	-
8	12-00751	1	Capscrew, Hex Head M8 x 1.25 x 16 mm	-
9	15-00702	1	Lock Washer, Helical M8	-
10	15-00701	1	Flat Washer M8	-
11	21-59508	1	Male Connector, Steel 3/8- 37T x M12 x 1.5	-
12	R123593	1	Tube Nut	-

GROUP 4 - FUEL SYSTEM

Primary Fuel Filter

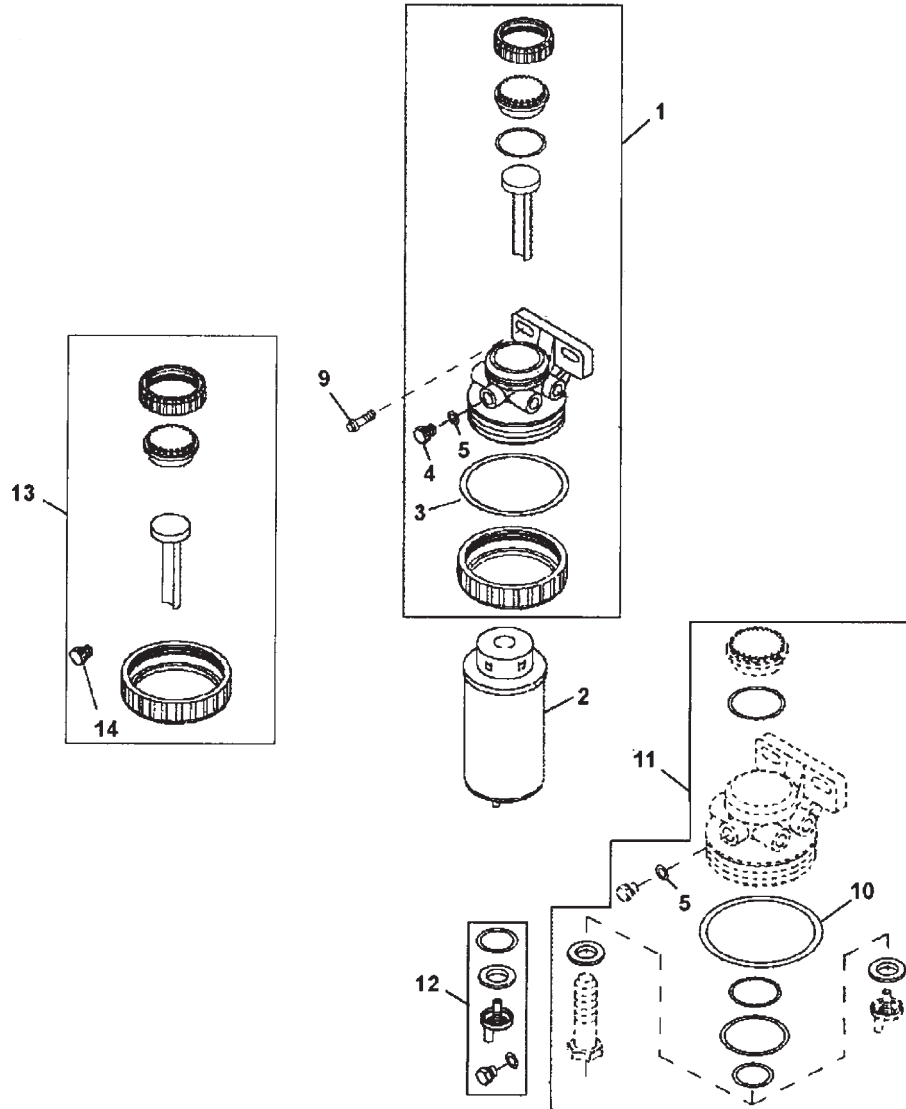


Reproduced by permission of Deere & Co., c2005. Deere & Company. All rights reserved.

RGF8376

KEY	PART NUMBER	QTY	DESCRIPTION	SERIAL NUMBER
4	RE508847	1	Filter Head	-
5	12-80832	2	Capscrew M10 x 30mm	-
6	R113562	1	Ring	-
7	R113563	2	Drain Plug	-
9	RE51649	1	Seal Kit	-
10	RE509208	1	Fuel Filter	-
12	24-51006	1	Drain Valve, Metal (USCG)	-
13	RE516512	1	O-ring	-
14	R113562	1	Ring	-
15	RE516553	1	Seal Kit	-

Secondary Fuel Filter



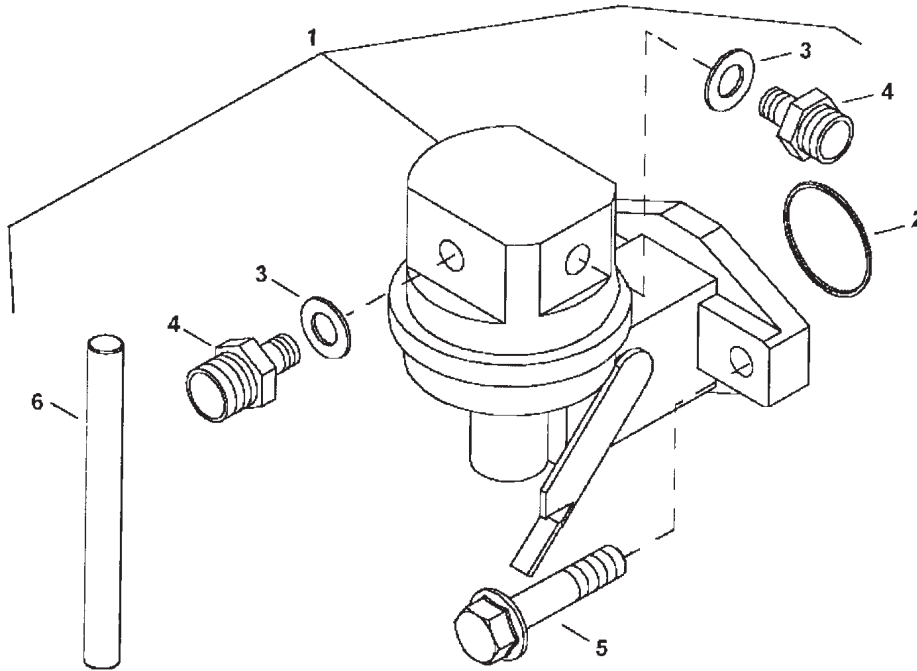
Reproduced by permission of Deere & Co., c2005. Deere & Company. All rights reserved.

RGP8265z

KEY	PART NUMBER	QTY	DESCRIPTION	SERIAL NUMBER
1	RE509794	1	Filter Head Kit (includes keys 3,4,5)	-
2	RE509031	1	Filter Element	-
3	RE516553	1	Seal Kit	-
4	R113563	1	Vent Plug	-
5	R113562	1	O-ring	-
9	12-80832	2	Capscrew M10 x 30mm	-
10		1	O-ring (not available separately)	-
11	RE516512	1	Filter Head O-Ring Kit (includes keys 5 & 10)	-
12	24-51006	1	Drain Valve, Metal (USCG)	-
13	RE51649	1	Seal Kit	-
14	R113563	1	Vent Plug	-

GROUP 4 - FUEL SYSTEM

Fuel Transfer Pump

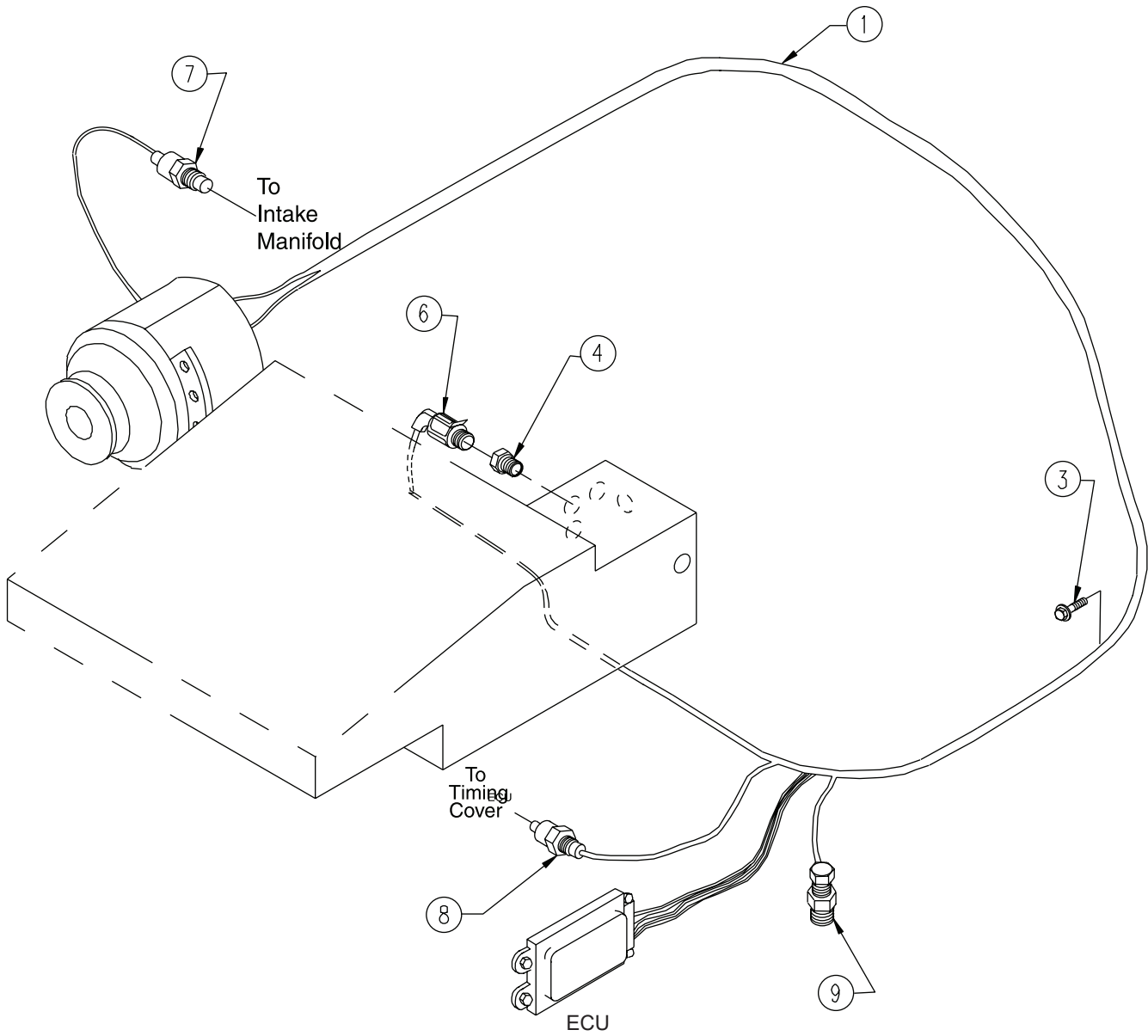


Reproduced by permission of Deere & Co., c2005. Deere & Company. All rights reserved.

RGP8271

KEY	PART NUMBER	QTY	DESCRIPTION	SERIAL NUMBER
1	RE517230	1	Fuel Pump (includes keys 2 -6)	-
2	R123273	1	O-ring	-
3	R500271	2	O-ring	-
4	R516453	2	Male Connector, Brass M10 x 1.0 x 3/8 Compression	-
5	R504233	2	Screw	-
6	R133405	1	Push Rod	-

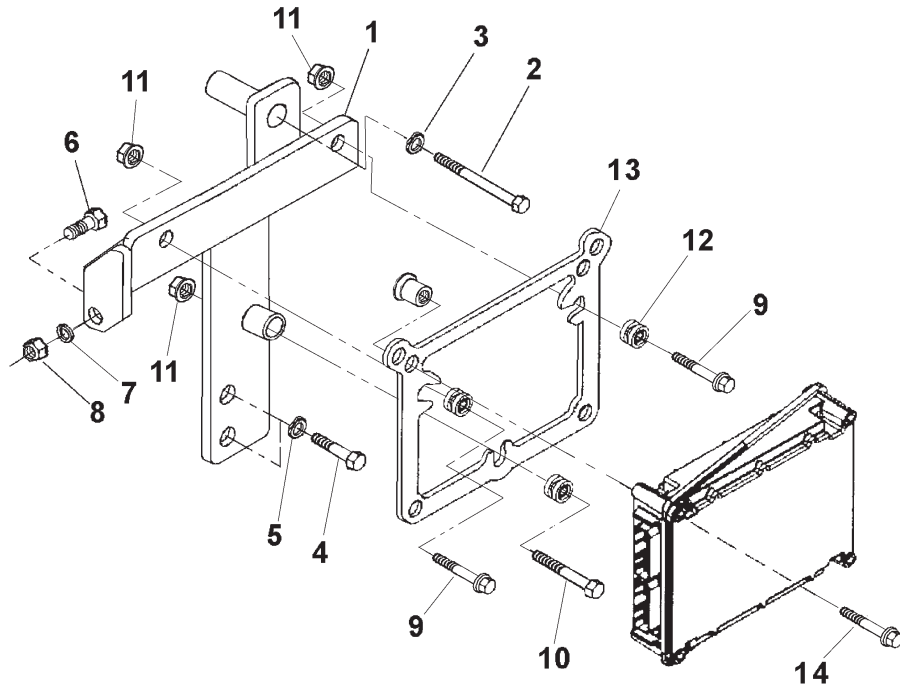
Engine Electrical 12 Volt Standard Ground



Engine Electrical 12 Volt Standard Ground

KEY	PART NUMBER	QTY	DESCRIPTION	SERIAL NUMBER
1	22-49412	1	Engine Wire Harness Assembly	-
2	28-49504	1	Plate, Starter Block-Off (not shown)	-
3	19M7783	3	Capscrew, Hex Head Flanged M10 x 1.5 x 16 mm Grade 10.9	-
4	21-09601	1	Bushing, Steel 1/2 NPT x M14 x 1.5	-
5	AT163022	1	Transient Voltage Protector (not shown)	-
6	RE52722	1	Sensor, Coolant Temperature	-
7	RE61812	1	Sensor, Air Temperature	-
8	RE519144	1	Speed Sensor	-
9	RE167207	1	Sensor, Oil & Fuel Pressure	-

Engine Control Unit

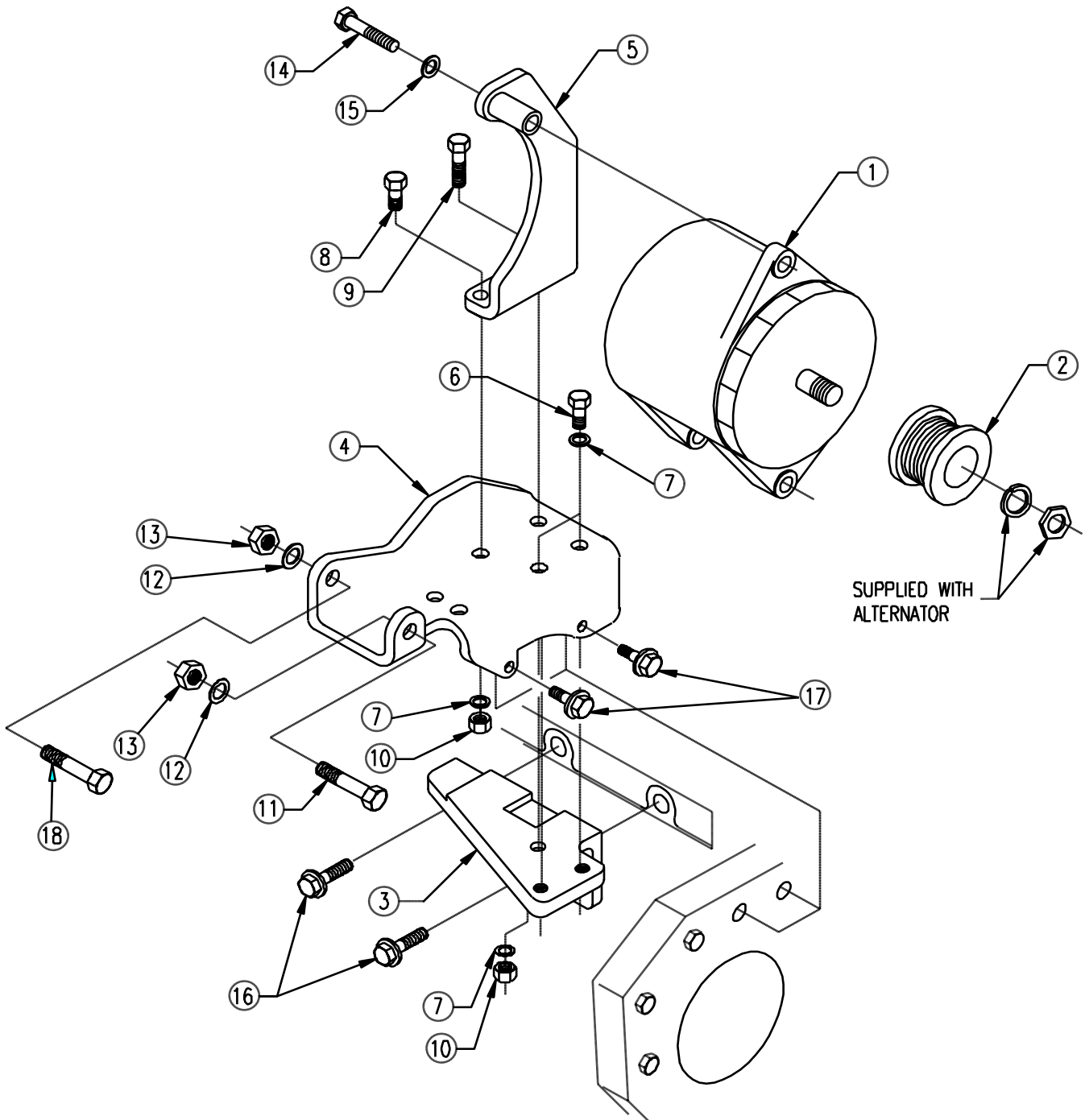


Reproduced by permission of Deere & Co., c2007. Deere & Company. All rights reserved.

RGP9103prop

KEY	PART NUMBER	QTY	DESCRIPTION	SERIAL NUMBER
1	23-59607	1	Bracket, Engine Control Unit	-
2	12-34800	1	Capscrew, Hex Head M10 x 1.5 x 160 mm	-
3	15-00804	1	Wave Washer, M10	-
4	12-00953	2	Capscrew, Hex Head M12 x 1.75 x 30 mm	-
5	15-00904	2	Wave Washer, M12	-
6	12-00712	1	Capscrew, Hex Head M8 x 1.25 x 25 mm	-
7	15-00702	1	Lock Washer, Helical M8	-
8	14-00711	1	Hex Nut, M8 x 1.25	-
9	19M8162	2	Capscrew, Hex Head Flanged M10 x 1.5 x 40 mm	-
10	12-00843	1	Capscrew, Hex Head M10 x 1.5 x 65 mm	-
11	14-00808	3	Lock Nut, Flanged M10 x 1.5	-
12	R500488	3	Grommet	-
13	RE500588	1	Bracket	-
14	19M8804	4	Capscrew, Hex Head Flanged M6 x 1.0 x 65 mm	-
15	21-42206	1	Spacer (not shown)	-

Large Frame Alternator & Mounting

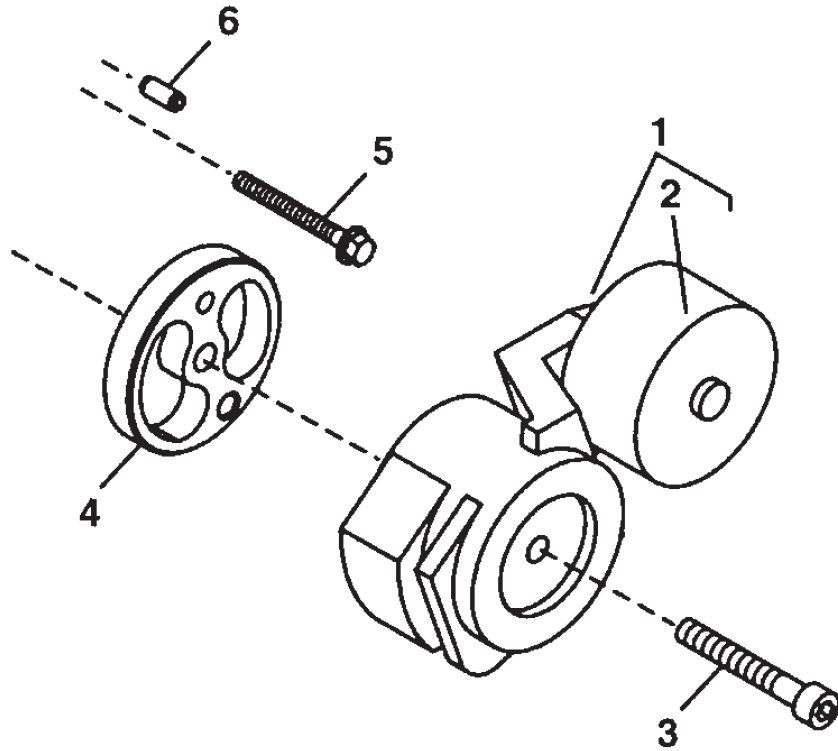


A-10389, A-10390/ C-5762

Large Frame Alternator & Mounting

KEY	PART NUMBER	QTY	DESCRIPTION	SERIAL NUMBER
1	22-40277	1	Alternator, 24 Volt/ 75 Amp Isolated Ground	-
2	34-49503	1	8 Groove Pulley, 3-1/4" O.D. x 7/8" I.D.	-
3	23-49509	1	Alternator Support Mounting Bracket	-
4	23-49510	1	Alternator Mounting Bracket	-
5	23-49508	1	Alternator Mounting Bracket	-
6	12-00831	2	Capscrew, Hex Head Flanged, M10 x 1.5 x 25 mm	-
7	15-00802	4	Lock Washer, Helical, M10	-
8	12-00814	1	Capscrew, Hex Head, M10 x 1.5 x 35 mm	-
9	12-00812	1	Capscrew, Hex Head, M10 x 1.5 x 40 mm	-
10	14-00811	2	Hex Nut, M10 x 1.5	-
11	12-00515	1	Capscrew, Hex Head, 1/2 -13 x 1 -3/4"	-
12	15-00504	3	Flat Washer, 1/2" SAE	-
13	14-00512	2	Hex Nut, Nylock 1/2 -13	-
14	12-00518	1	Capscrew, Hex Head, 1/2 -13 x 2 -1/2"	-
15	15-00502	1	Lock Washer, Helical 1/2"	-
16	19M7786	2	Capscrew, Hex Head Flanged, M10 x 1.5 x 30 mm	-
17	19M7801	2	Capscrew, Hex Head Flanged, M8 x 1.25 x 60 mm	-
18	12-00516	1	Capscrew, Hex Head 1/2 -13 x 2"	-

Drive Belt Tensioner

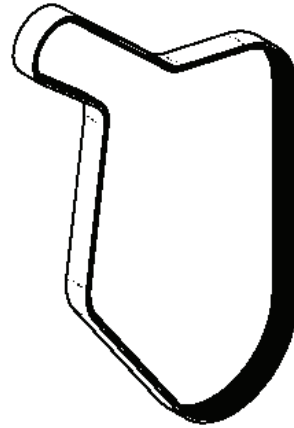


Reproduced by permission of Deere & Co., c2005. Deere & Company. All rights reserved.

RGF5656

KEY	PART NUMBER	QTY	DESCRIPTION	SERIAL NUMBER
1	RE518097	1	Tensioner	-
2	R503813	1	Bolt	-
3	19M7811	1	Screw, M10 x 90 mm	-
4	R518210	1	Spacer	-
5	19M7801	1	Screw	-
6	34M7061	1	Spring Pin	-

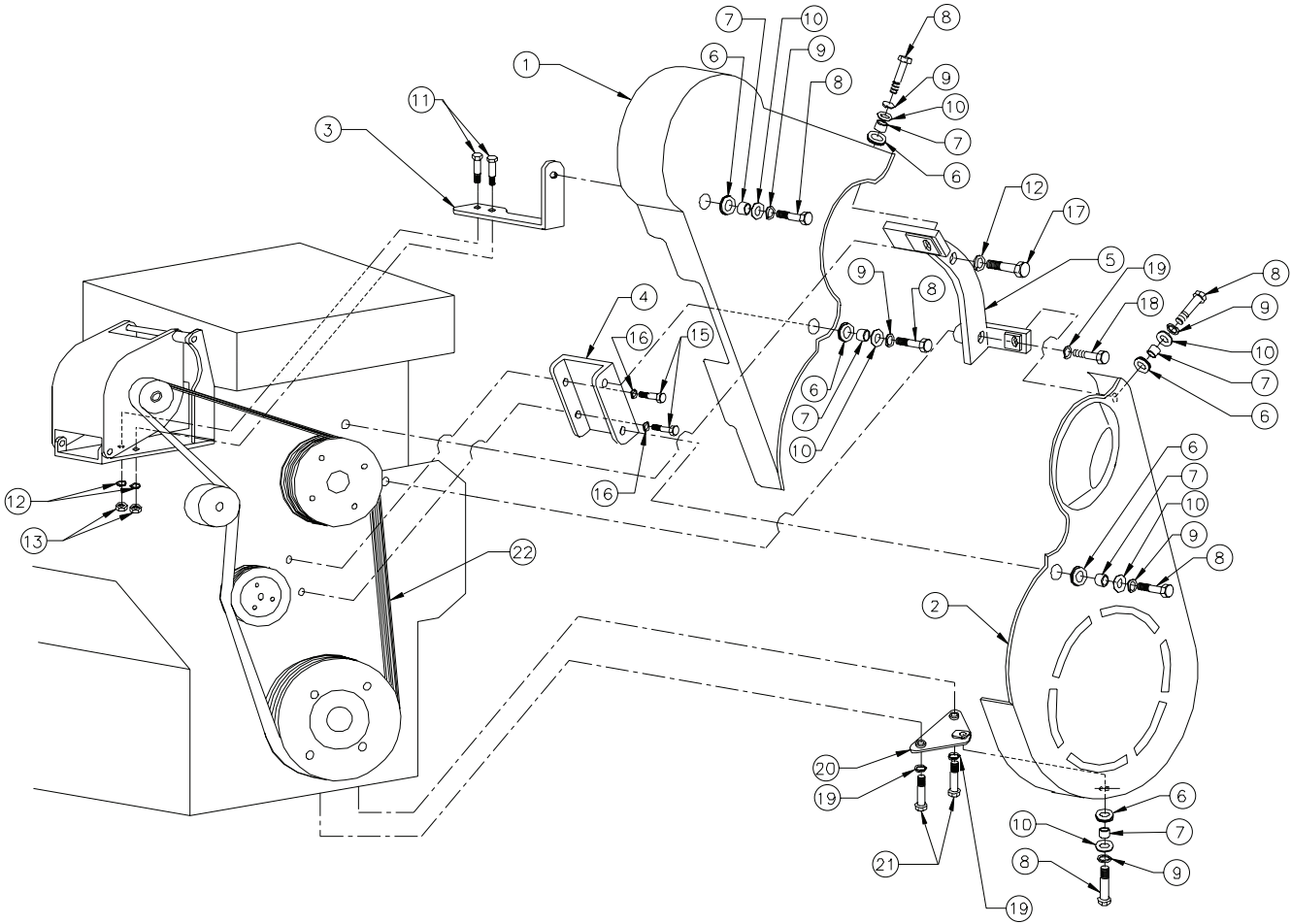
Drive Belt Applications



RE504029PCDE02

KEY	PART NUMBER	QTY	DESCRIPTION
	R123457	1	Optional Large Frame Size Alternators - 12V/ 130 Amp, 24V/ 75 Amp, 24V/ 100 Amp Drive Belt

Belt Guard, Large Frame Alternators without Front PTO



A-8691/ C-5056

Belt Guard, Large Frame Alternators without Front PTO

KEY	PART NUMBER	QTY	DESCRIPTION	SERIAL NUMBER
1	00-09503	1	Belt Guard, Upper 1/2	-
2	00-09401	1	Belt Guard, Lower 1/2	-
3	23-09508	1	Bracket	-
4	23-09503	1	Bracket	-
5	23-09507	1	Bracket	-
6	00-00017	6	Grommet	-
7	21-05002	6	Spacer	-
8	12-09712	6	Capscrew, Hex Head M8 x 1.25 x 25 mm S/S	-
9	15-00705	6	Lock Washer M8 S/S	-
10	15-70004	6	Snubbing Washer S/S	-
11	12-00814	2	Capscrew, Hex Head M10 x 1.5 x 35 mm	-
12	15-00802	3	Lock Washer M10	-
13	14-00811	3	Hex Nut M10 x 1.5	-
15	12-00072	1	Capscrew, Socket Head M6 x 1.0 x 30 mm	-
16	15-00018	2	Lock Washer, Hi-collar 1/4	-
17	12-00805	1	Capscrew, Hex Head M10 x 1.5 x 20 mm	-
18	12-00717	1	Capscrew, Hex Head M8 x 1.25 x 60 mm	-
19	15-00702	3	Lock Washer M8	-
20	23-09506	1	Bracket	-
21	12-00714	2	Capscrew, Hex Head M8 x 1.25 x 40 mm	-
22	R123457	1	Drive Belt, Poly-V	-

GROUP 6 - GASKETS

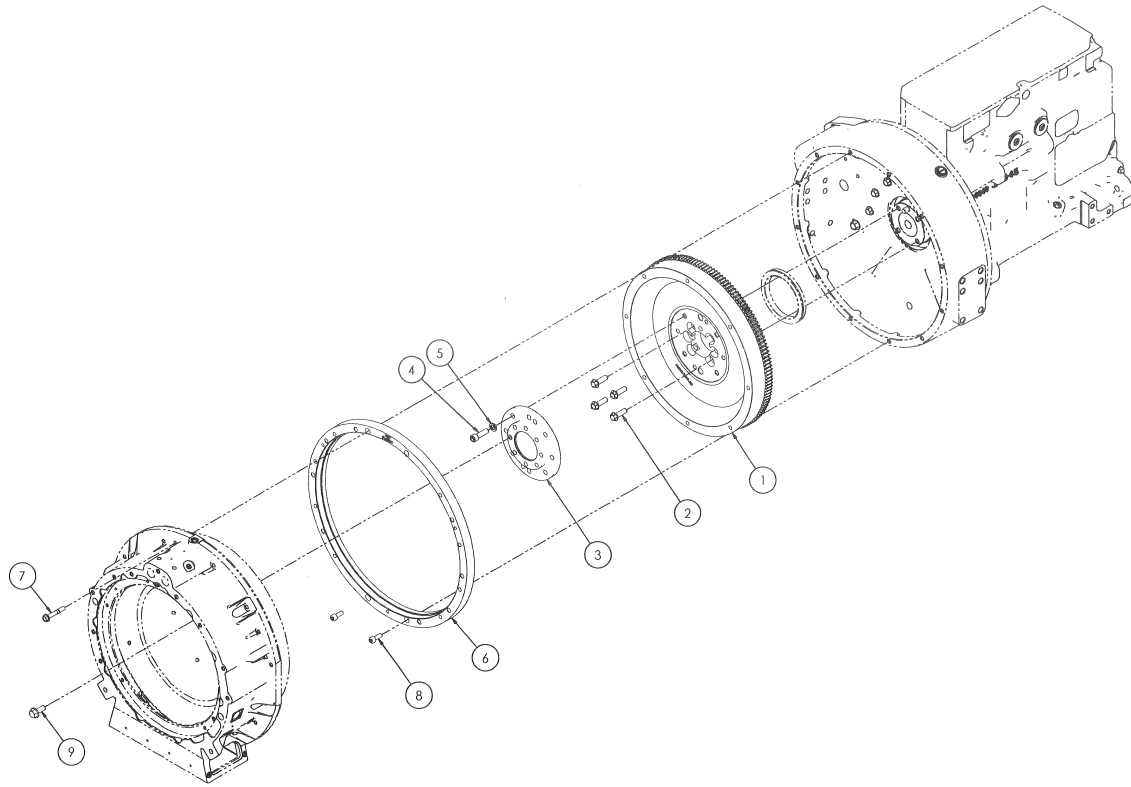
Gasket Set, Engine Overhaul

KEY	PART NUMBER	QTY	DESCRIPTION	SERIAL NUMBER
••	29-09402	1	Gasket Set (includes all keys)	
1	R123542	1	Gasket, Rocker Arm Cover	-
2	R521439	4	Gasket, Exhaust Manifold	-
3	R505479	1	Gasket, Thermostat Cover	-
4	R505480	1	Gasket, Water By-pass Tube	-
5	R123345	1	Gasket, Thermostat Housing	-
6	R505174	2	Gasket, Turbocharger Oil Outlet Tube	-
7	R123575	4	O-ring, Rocker Arm Cover Hold Down Stud	-
8	R116515	1	Engine Cylinder Head Gasket	-
9	R124607	1	Gasket, Thermostat Cover	-
10	R502916	1	Gasket	-
11	R123572	1	Gasket, Turbocharger to Exhaust Manifold	-
12	RE527010	1	Gasket, Engine Major Overhaul	-
	TY6304	1	Sealant	-
13	R123352	1	Gasket, Oil Pan	-
14	R75892	1	O-ring, Oil Pump Tube Connector	-
15	R516158	5	O-ring, Oil Pump Outlet Tube to Cover	-
16	R63185	2	O-ring, Oil Pump Intake Tube	-
17	A4827R	1	Washer	-
18	RE44574	1	Seal, Rear Oil	-
19	RE59810	1	Seal Kit, Front Oil Seal	-
20	R123273	1	O-ring, Fuel Transfer Pump	-
21	R123417	1	Gasket, Water Pump	-
22	R136516	1	Gasket, Timing Gear Cover	-
	R136515	1	Gasket, Timing Gear Cover	-
23	R123501	1	Gasket, Oil Cooler Housing	-
24	R502864	1	Gasket, Remote Oil Filter Adapter	-

Gasket Set, Engine Overhaul

KEY	PART NUMBER	QTY	DESCRIPTION	SERIAL NUMBER
			(continued)	
25	R123525	1	Gasket, Oil Filter Header	
26	R53108	1	Gasket, Starting Motor	-
27	R72328	4	O-ring, Oil Filter Tubes	-
28	R89944	1	O-ring, Water Pump Inlet	-
29	R61105	2	O-ring, Connector Tube to Timing Gear Cover	-
30	T122075	2	O-ring, Oil Cooler to Housing	-
31	R501428	1	Gasket, Coolant Passage Adapter	-
32	R500374	1	Gasket, Oil Filter Header	-
33	RE526670	1	Gasket Kit, Cylinder Head Removal	-
34	RE526671	1	Gasket Kit, in Chassis Overhaul	-
35	R123353	1	Gasket, Engine Oil Pan	-
36	RE527010	1	Gasket Kit	-
37	16-15005	6	O-ring	-
38	16-01000	2	O-ring	-
39	16-31001	2	O-ring	-
40	052300400	1	O-ring	-
41	11-31011	8	Gasket, Exhaust	-
42	11-30013	1	Gasket, Exhaust Flange	-
43	11-31401	1	Gasket, K26 Turbo Mounting	-
44	11-39501	2	Gasket, Coolant Port Adapter Mtg.	-
45	11-31031	1	Gasket, Turbo Oil Return	-
46	11-31012	1	Gasket	-
47	11-11022	1	Gasket, Filler Neck Mtg.	-
48	11-11023	1	Gasket, Manifold to Expansion Tank	-
49	11-10015	2	Thermostat Seal Ring	-
50	11-11013	1	Gasket, Thermostat Cover Mtg.	-
51	11-11043	1	Gasket, Expansion Tank Connection	-
52	16-19502	1	O-ring	-
53	16-14804	1	O-ring	-
54	16-19503	1	O-ring	-
55	16-19501	2	O-ring	-
56	15-09501	2	Sealing Washer, Copper M22	-
57	11-15704	2	Gasket, Block-off/ Adapter Mtg.	-
58	16-25701	1	O-ring	-
59	16-29501	1	O-ring	-
60	16-13101	2	O-ring	-
61	16-09504	2	O-ring	-
62	16-09401	2	O-ring	-

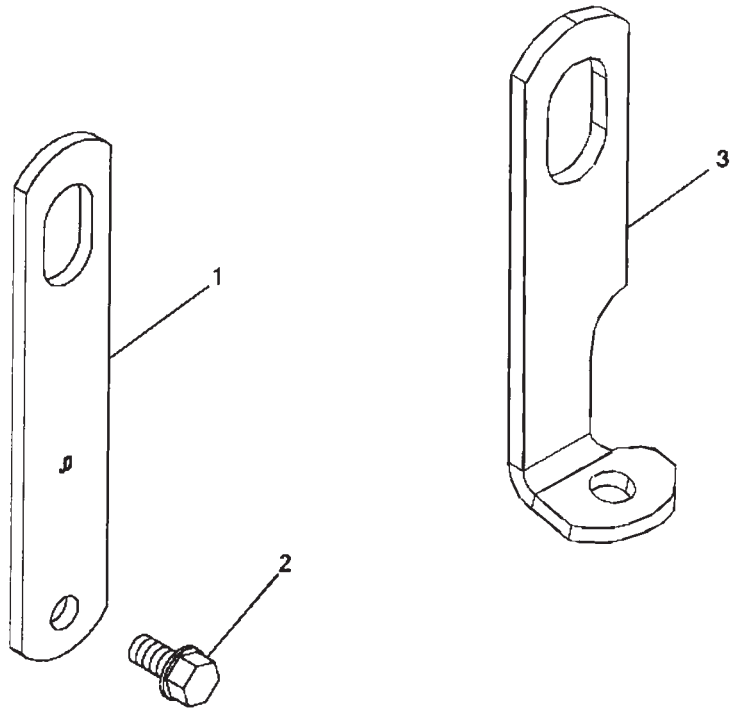
Electric Drive Attaching Parts BAE TB200 SAE#1/#14



Electric Drive Attaching Parts BAE TB200 SAE#1/#14

KEY	PART NUMBER	QTY	DESCRIPTION	SERIAL NUMBER
1	34-69607	1	Flywheel SAE #14 Special	-
2	R135918	6	Capscrew, Hex Head Flanged M12 x 1.75 x 40 mm Grade 10.9	-
3	31-69606	1	Adapter, Electric Drive	-
4	12-60920	8	Capscrew, Hex Head M12 x 1,25 x 40mm Grade 12.9	-
5	01643-51232	8	Flat Washer M12 x 22mm OD x 3.1 mm Hardened	-
6	31-60041	1	Spacer Ring SAE #1 x 1"	-
7	01435-01060	10	Capscrew, Hex Head, Flanged M10 x 1.5 x 60 mm Grade 10.9	-
8	12-34803	2	Capscrew, Skt Hd M10 x 1.5 X 25mm Grade 12.9	-
9	12-80944	8	Capscrew, Hex Head Flanged M12 x 1.75 x 31 mm	-

Engine Lifting Eyes

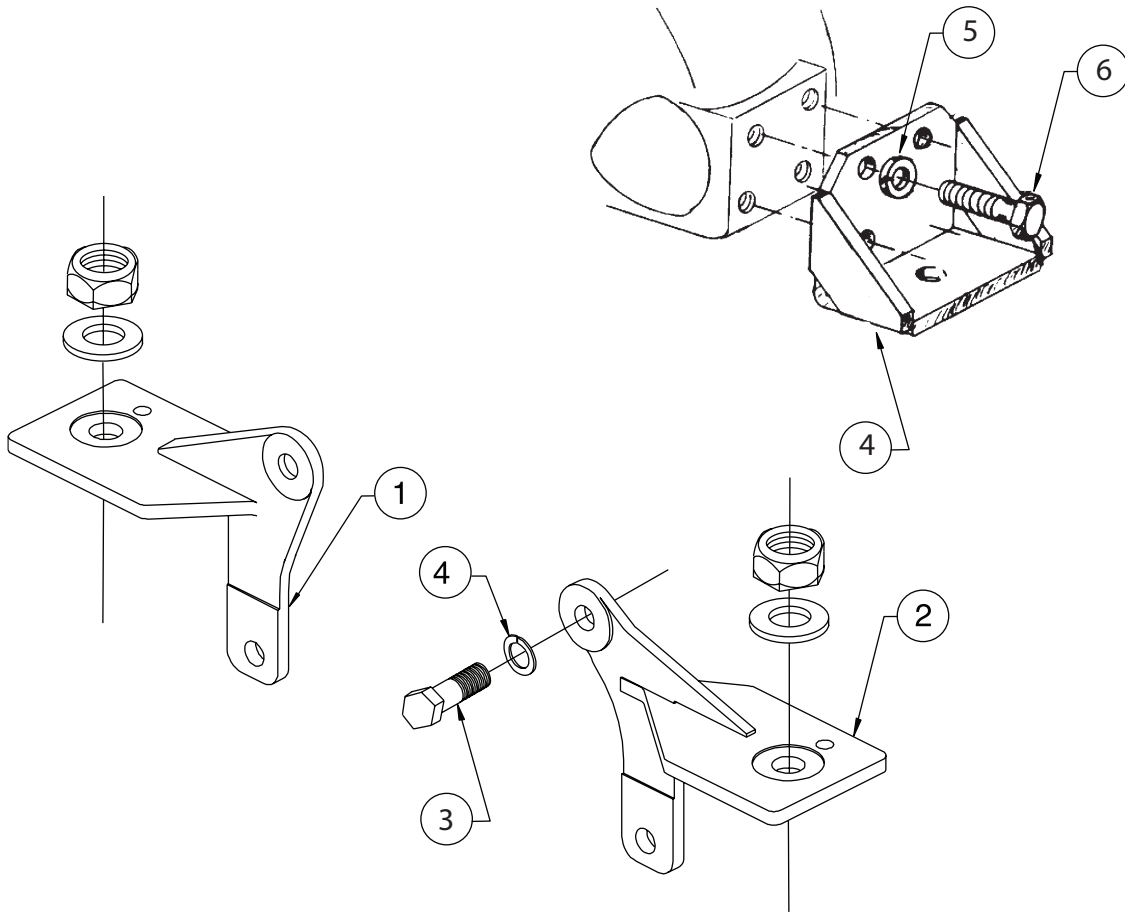


Reproduced by permission of Deere & Co., c2006. Deere & Company. All rights reserved.

RGP6944

KEY	PART NUMBER	QTY	DESCRIPTION	SERIAL NUMBER
1	R502329	1	Rear Lifting Eye	-
2	19M7788	1	Capscrew	-
3	T26508	1	Front Lifting Eye	-

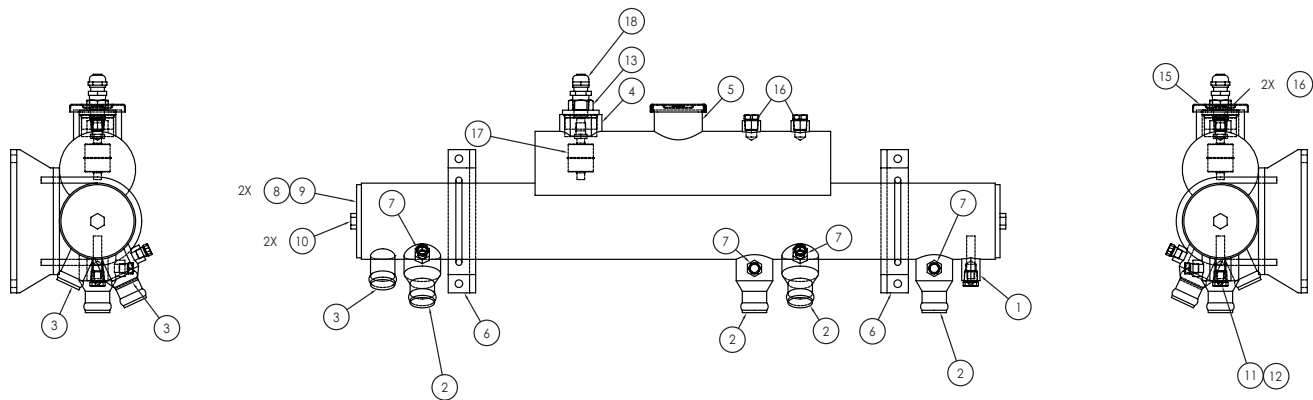
Engine Mounting



KEY	PART NUMBER	QTY	DESCRIPTION	SERIAL NUMBER
1	23-81001	1	Mounting Bracket, Engine R/H front	-
2	23-81002	1	Mounting Bracket, Engine L/H front	-
3	12-04803	4	Capscrew, Hex Head M16 x 2.0 x 40 mm	-
4	23-84815	2	Bracket, Rear Engine Mounting SAE #1	-
5	15-01000	4	Lock Washer M16	-
6	12-01502	8	Capscrew, Hex Head M16 x 2.0 x 35mm	-
7	12-24802	4	Capscrew, Hex Head M16 x 2.0 x 20mm (not shown)	-

Heat Exchanger Assembly

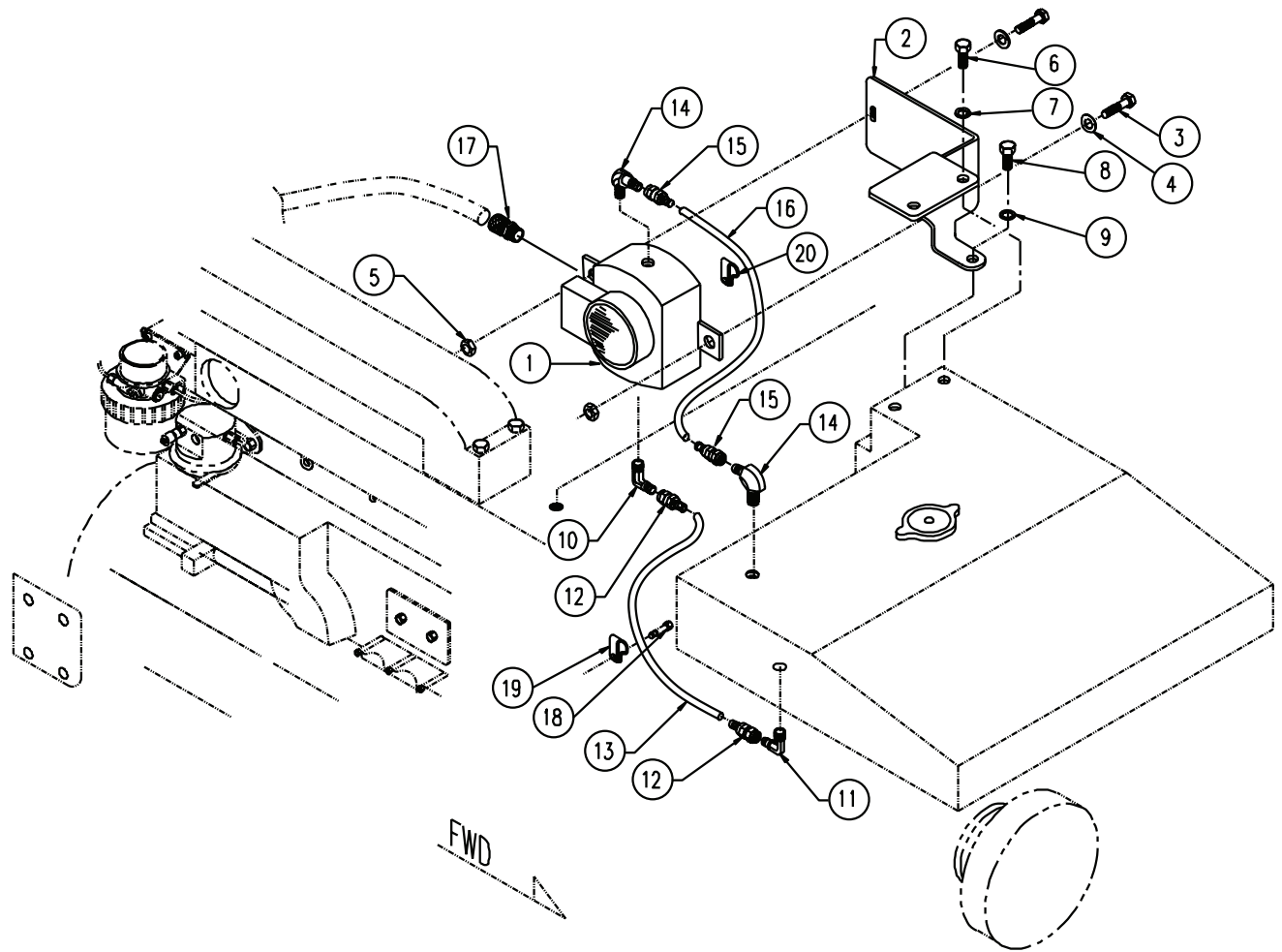
Electric Drive



D-4748A

KEY	PART NUMBER	QTY	DESCRIPTION	SERIAL NUMBER
**	20-60002	1	Heat Exchanger Assembly (includes 1-16)	-
6	23-60013	2	Mounting Bracket Assembly	-
7	21-00012	4	Plug, 1/8" NPT	-
8	28-12201	2	Cover	-
9	20-12002	2	Gasket	-
10	12-11002	2	Capscrew, Hex Head 3/8 - 16 x 3/4	-
11	21-12000	1	Zinc Holder	-
12	21-12010	1	Zinc	-
13	31-16002	1	Adapter, Steel, 1/8"NPT x 3/8"NPT	-
14	16-22016	1	O-Ring	-
15	21-12013	1	Filler Cap, 7 PSI	-
16	21-31624	2	Plug 1/4" NPT	-
17	22-10006	1	Level Switch	-
18	00-40040	1	Cable Gland	-

Low Coolant Level Switch/ Gauge



A-10734 / C-5691

KEY	PART NUMBER	QTY	DESCRIPTION	SERIAL NUMBER
1	22-10003	1	Coolant Level Switch/ Gauge (Isolated Ground)	-
2	23-19509	1	Gauge Bracket	-
3	12-00031	2	Capscrew, Hex Head, M6 x 1.0 x 25 mm	-
4	15-00008	2	Flat Washer, M6	-
5	14-04803	2	Hex Nut, Nylock, M6 x 1.0	-
6	12-00214	2	Capscrew, Hex Head 5/16-18 x 1-1/2"	-
7	15-00202	2	Lock Washer, Helical 5/16	-
8	12-00315	1	Capscrew, Hex Head 3/8-16 x 1-3/4"	-
9	15-00302	1	Lock Washer	-
10	21-70011	1	Male Elbow 90° Steel, 1/2 NPT x 3/8-37T	-
11	21-00015	1	Male Elbow 90° Steel, 1/4 NPT x 3/8-37T	-
12	21-71034	2	Female Swivel, Brass 3/8 HB x 3/8-37T	-
13	41-01020	16	Hose, 3/8" ID Push-on	-
14	21-71044	2	Male Elbow 90° Brass 1/4 NPT x 1/4-45T	-
15	21-71045	2	Female Swivel Brass 1/4 HB x 1/4-45T Push-on	-
16	41-01011	18	Hose 1/4" ID Push-on	-
17	00-40016	1	Strain Relief Connection 1/2 NPT	-
18	12-00315	1	Capscrew, Hex Head 3/8-16 x 1-3/4"	-
19	19-41900	1	Adelle Clamp 3/4" ID	-
20	19-43201	1	Adelle Clamp 1/2" ID	-



4420 14th Ave. NW., Seattle WA 98107

Tel: (206) 789-3880 • 1-800-762-0165 • www.northern-lights.com

Northern Lights and Lugger are registered trademarks of Northern Lights, Inc.

© 2017 All rights reserved. Litho USA.