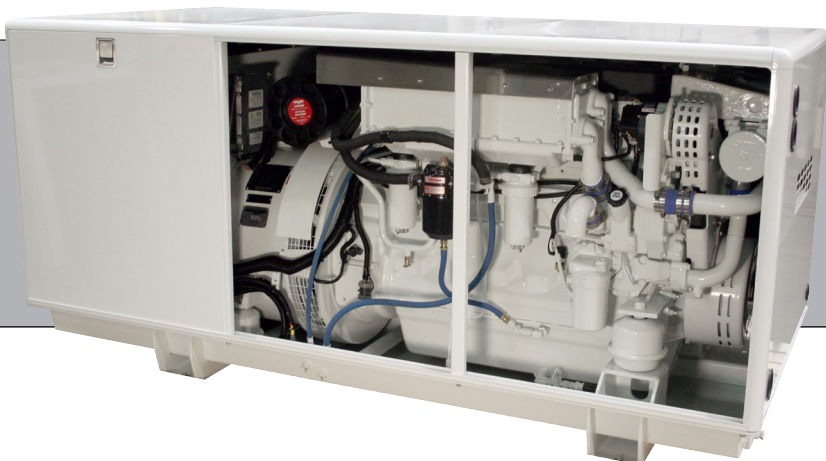




PARTS MANUAL

P1066

For Models: L1066T, L1066A, L1066H, M1066T,
M1066A1, M1066A2, M1066A3, M1066H,
M1066TMCA, NL1066T, NL1066H1, NL1066H2,
NL1066H3, NL1066H4, and M99C2



www.northern-lights.com



As of January 2011, U.S. EPA regulations require the application of a permanently applied label near the fuel tank fill port for diesel driven equipment. This label is to state:

ULTRA LOW SULFUR FUEL ONLY

Northern Lights is providing this label for application to the fuel inlet of the fuel supply tank for each engine or generator set. This is to be applied by the installer of the engine or gen set, or by the manufacturer of the equipment that the engine or gen set is installed in. The location of the label must be in clear site of personnel that refill the supply tank.



— CALIFORNIA —
Proposition 65 Warning:

Breathing Diesel engine exhaust and some of its constituents are known to the State of California to cause cancer, birth defects, and other reproductive harm.

- * Always start and operate the engine in a well-ventilated area.
- * If in an enclosed area, vent the exhaust to the outside.
- * Do not modify or tamper with the exhaust system.
- * Do not idle the engine except as necessary.

For more information, go to www.P65warnings.ca.gov/diesel.

Northern Lights

4420 14th Avenue N.W.

Seattle, WA 98107

Tel: (206) 789-3880

Fax: (206) 782-5455

Copyright ©2016 Northern Lights, Inc.
All rights reserved. Northern Lights™, and
the Northern Lights logo are trademarks of
Northern Lights, Inc.

Printed in U.S.A.

PART NO.: P1066 12/18



PARTS CATALOG

for Models

**L1066T, L1066A, L1066H, M1066T, M1066A1, M1066A2,
M1066A3, M1066H, M1066TMCA, NL1066T, NL1066H1,
NL1066H2, NL1066H3, NL1066H4, and M99C2**

Please read thoroughly before attempting to use this manual:

Table of Contents	I
Model Designation & Serial Numbers	II
Reading a Parts Page	III

Table of Contents

GROUP 1 - ENGINE

Cylinder Block Assembly	0 - 5
Flywheel & Housing	6 - 10
Crankshaft & Main Bearings	11
Crankshaft Pulley, Damper	12 - 16
Cylinder Liner Assembly & Connecting Rod	17 - 18
Timing Cover Plate	19 - 22
Camshaft	23 - 24
Timing Cover	25 - 28
Oil Filter Assembly, Mounting, & Adapter	29 - 34
Oil Pump	35
Oil Pan	36 - 38
Oil Drain & Dipstick	39 - 43
Oil Fill Assembly	44 - 45
Cylinder Head, Head Gasket, Valves	46 - 49
Rocker Cover, Rocker Shaft, Rocker Arm	50 - 57
Ventilating System	58

GROUP 2 - INTAKE & EXHAUST

Intake Manifold and Air Cleaner (Propulsion)	0 - 1
Air Intake & Air Filter	2 - 3, 34 - 36
Air Filter and Mounting	4 - 6, 30 - 33
Crankcase Breather	8 - 11
Intake and Aftercooler	7, 12 - 13, 24 - 25
Exhaust Elbow	40 - 45, 48 - 49
Exhaust Manifold	37 - 39
Turbocharger Assemblies	14 - 23, 26 - 29, 46 - 47, 50 - 53

GROUP 3 - COOLING SYSTEM

Expansion Tank Assembly	0 - 3
Heat Exchanger	4 - 7
Coolant Pump & Inlet	8 - 9
Raw Water Pump & Mounting	10 - 13
Thermostat & Housing	14 - 19
Engine Oil Cooler	20 - 21
Idler Shaft Assembly	22 - 24
Radiator & Mounting	24 - 33

GROUP 4 - FUEL SYSTEM

Fuel Injection Pump & Fuel Lines	0 - 11
Engine Control Unit Applications	12 - 13
Fuel Injector	14 - 17
Fuel Filter & Lines	18 - 33, 37 - 39
Electric Fuel Pump	34 - 36
Fuel Filter Bypass	40
Fuel Transfer Pump	41

GROUP 5 - ELECTRICAL SYSTEM

12 & 24 Volt, Standard & Isolated Ground	0 - 17
Alternator and Mounting	18 - 33
12 & 24 Volt Relay Board	34 - 39
Drive Belt Tensioner	40 - 41
Idler Pulley & Mounting	42
Drive Belts	43
Engine Control Unit	44 - 45
Control Panels	46 - 53
Belt Guards	54 - 69

GROUP 6 - GASKET SETS

Engine Overhaul	0 - 4
-----------------------	-------

GROUP 7 - GEAR AND ADAPTER PARTS

Gear Oil Cooler	1 - 3
-----------------------	-------

GROUP 8 - BASE FRAME & MOUNTING

Lifting Eyes	1
Engine Mounting	2
Base Frames	3 - 15

GROUP 9 - ACCESSORIES & OPTIONAL EQUIPMENT

Crankshaft Pulley	0
Electric Clutch	1
PTO Adapter Parts	2 - 4
Hydraulic Pump Drive Assembly	6
Low Oil Level Switch/Gauge	7 - 11
Air Intake Shut-off Valve	12
Low Coolant Level Switch/Gauge	13 - 14
Raw Water Flow Switch	15 - 17
Optional Alternators	18 - 19

Proprietary Information

This publication is the property of Northern Lights, Inc.

It may not be reproduced in whole or in part without the written permission of Northern Lights, Inc.

© Northern Lights, Inc. All rights reserved. Litho U.S.A. Publication number P1066 9/17

INTRODUCTION

MODEL DESIGNATION

Refer to the category designations below to find the correct parts pages for your model.

L - M - NL

L - Luger propulsion unit
M - Northern Lights marine generator set
NL - Northern Lights industrial generator set

1066

Base Model #
 106 inch bore
 6 cylinders

T - H

T Turbocharged
H High Output

- L1066 T** Northern Lights turbocharged propulsion engine with a John Deere engine and an electronically controlled fuel system
- L1066 A** Northern Lights propulsion engine with an aftercooled John Deere engine and an electronically controlled fuel system.
- M1066 T** Northern Lights turbocharged marine diesel generator set with a John Deere engine and an electronically controlled fuel system.
- M1066 A** Northern Lights aftercooled marine diesel generator set with a John Deere engine and an electronically controlled fuel system.
- M1066 H** Northern Lights turbocharged marine diesel generator set with a John Deere engine, 4 valve, high pressure common rail fuel system.

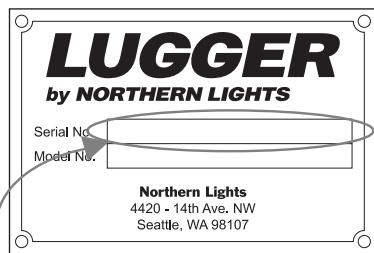
- NL1066 T** Northern Lights turbocharged industrial diesel generator set with a John Deere engine and an electronically controlled fuel system.
- NL1066 H2** Northern Lights high output industrial diesel generator set with a John Deere engine and an electronically controlled fuel system.
- NL1066 H4** Northern Lights high output industrial diesel generator set with a John Deere engine, 4 valve, high pressure common rail fuel system.
- M99C2** Northern Lights commercial marine generator set with a John Deere engine, Tier II.

All model numbers in parentheses will indicate a John Deere base engine. All variations requiring serial numbers for proper identification will be noted as ADE or John Deere.

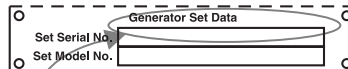
SERIAL NUMBERS

NORTHERN LIGHTS

Your set has three serial numbers: ① an engine number stamped on the block, ② a generator plate, and ③ a generator set plate. Use the serial number on the generator set plate when ordering parts or in correspondence. The generator set plate is found on the service side of the generator and resembles one of the drawings below.



Luger Serial Number



Generator Set Serial Number



Generator Set Serial Number

READING A PARTS PAGE

IMPORTANT:

Before selecting parts, be sure that you are choosing parts from the correct page.
 Check the model designation at the page top.
 Do not use this illustration for parts purchasing.

1 — ELECTRICAL SYSTEM

ALTERNATOR ASSEMBLY: M - NL668

KEY	PART NUMBER	QTY.	DESCRIPTION	SERIALNUMBER
0	185046210	1	Alternator Assembly	-
1	185446219	1	Flywheel, complete	-
2	185446217	1	Plate, complete	-
3	185716200	1	Plate	-
4	185446218	1	Stator, complete	-
5	040126210	2	Bearing	-
6	020210010	1	Nut	-
7	027100010	1	Spring washer	-
8	026100010	1	Washer	-
9	185446220	1	Clamp	-
10	015140408	1	Screw	-
11	015140425	2	Screw	-
12	199236510	1	Collar	-

13 — P668PT 08/00 — 14
 11 — 5-2 — 12

REFERENCES:

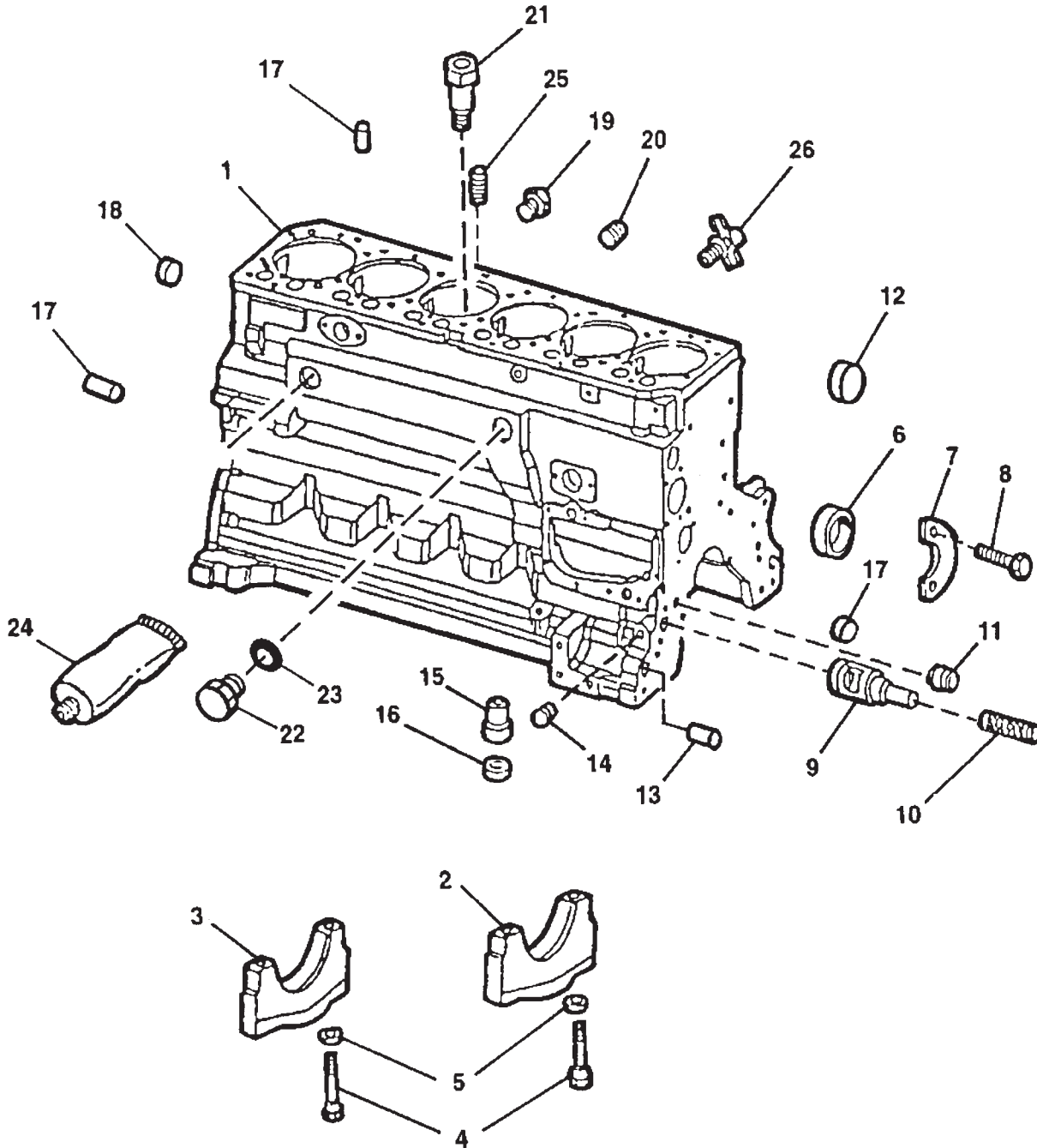
- | | |
|--|---|
| <ol style="list-style-type: none"> 1. Grouping section title. 2. Model designation of equipment that uses parts listed on this page. 3. Title and description of assembly. 4. Drawing numbers that correspond to key column numbers for parts identification. 5. Key column for locating parts shown on drawing. 6. Part number. | <ol style="list-style-type: none"> 7. Quantity of parts used. 8. Description of each component part. 9. Serial number of unit the part fits. 10. Assembly or kit designated by Key 0 or •/•. 11. Grouping index number. 12. Page number within the grouping index. 13. Manual title. 14. Page publication date. |
|--|---|

NOTE: ⇨ Arrows always point toward the front of the engine.

GROUP 1 – ENGINE

Cylinder Block

L-M-NL1066T, M99C2, L1066A, M1066A, M1066A1,A2,A3, and NL1066H1,H2, H3



Cylinder Block

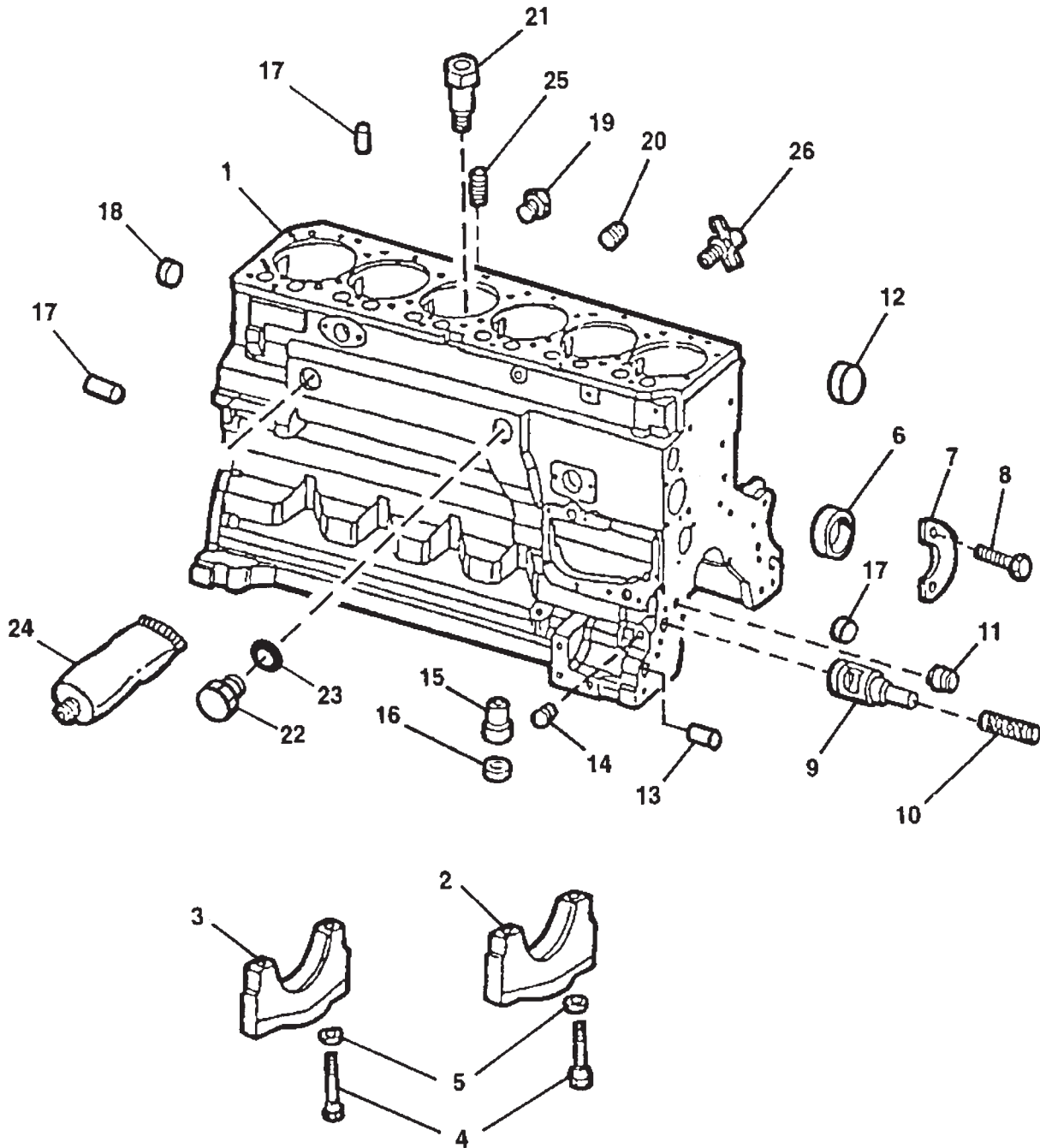
L-M-NL1066T, M99C2, L1066A, M1066A, M1066A1,A2,A3, and NL1066H1,H2, H3

KEY	PART NUMBER	QTY	DESCRIPTION	SERIAL NUMBER
1		1	Cylinder Block (marked R119565)	-
2	R114241	6	Bearing Cap	
3	R132186	1	Bearing Cap (Thrust)	
4	T23474	14	Capscrew	
5	T20168	14	Washer	
6	R119874	1	Bushing	-
7	R132518	1	Plate	-
8	19M7867	2	Capscrew, M8 x 25	-
9	R121043	1	Oil Bypass Valve	-
10	R111137	1	Spring	-
11	R26493	1	Bushing	-
	RE505501	1	Oil Pressure Regulating Valve	-
12	R116466	1	Bushing	-
13	R26650	2	Dowel Pin	-
14	15H623	1	Pipe Plug, 3/8"	-
15	R115390	1	Bushing	-
16	R75892	1	O-ring	-
17	R48685	2	Dowel Pin	-
18	T18891	2	Plug	-
19	R55233	1	Pipe Plug, 1/4"	-
20	R104592	7	Pipe Plug	
21	R131182	6	Orifice	-
22	R39741	1	Drain Plug	-
23	U13639	2	O-ring	-
24	T43514	1	Gasket	-
25	15H624	1	Pipe Plug, 1/2"	-
26	AT13740	1	Drain Valve	-

*Not available separately - see short block listing.

Cylinder Block

L- M1066H & NL1066H4



Cylinder Block

L- M1066H & NL1066H4

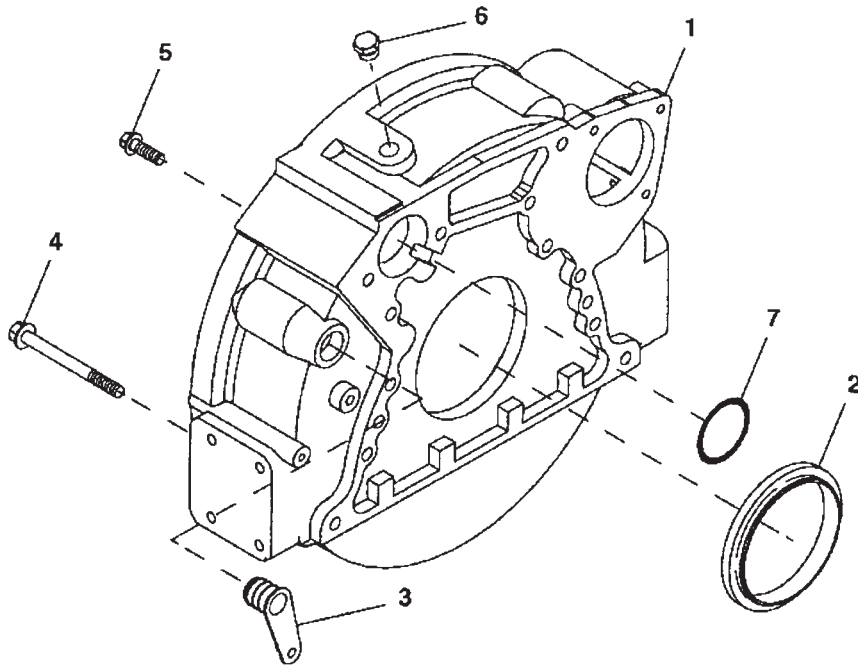
KEY	PART NUMBER	QTY	DESCRIPTION	SERIAL NUMBER
1		1	Cylinder Block (marked R504850)*	-
2	R515365	6	Main Bearing Cap	-
3	R515366	1	Thrust Bearing Cap	-
4	T23474	14	Capscrew	-
5	T20168	14	Washer	-
6	R119874	1	Bushing	-
7	R132518	1	Plate	-
8	19M8999	2	Capscrew, M8 x 25	-
9	R121043	1	Oil Bypass Valve	-
10	R111137	1	Spring	-
11	R26493	1	Bushing	-
	RE505501	1	Oil Pressure Regulating Valve	-
12	R116466	1	Bushing	-
13	R26650	2	Dowel Pin	-
14	15H623	1	Pipe Plug, 3/8"	-
15	R115390	1	Bushing	-
16	R75892	1	O-ring	-
17	R48685	2	Dowel Pin	-
18	T18891	2	Plug	-
19	R55233	1	Pipe Plug, 1/4"	-
20	R104592	7	Pipe Plug	-
21	R131182	6	Orifice	-
22	RE508185	1	Drain Plug	-
23	U13639	2	O-ring	-
24	T43514	1	Gasket	-
25	15H624	1	Pipe Plug, 1/2"	-
26	AT13740	1	Drain Valve	-
27	D2361R	1	Ball (not shown)	-

*Not available separately - see short block listing.

Cylinder Block

KEY	PART NUMBER	QTY	DESCRIPTION	SERIAL NUMBER
1	RE520385	1	Short Block Assembly (L-M-NL1066T, M99C2)	-
	RE520383		Short Block Assembly (L1066A, M1066A1, A2, A3, and NL1066H1, H2, H3) L1066A and M1066A1, A2, & A3 with VP44 pump also order front plate kit RE509842. For NL1066A2 & A3 with VP44 pump also order front plate kit RE509841.	
2	RE522680	1	Short Block Assembly (L-M1066H and NL1066H4)	-

Flywheel Housing SAE #2

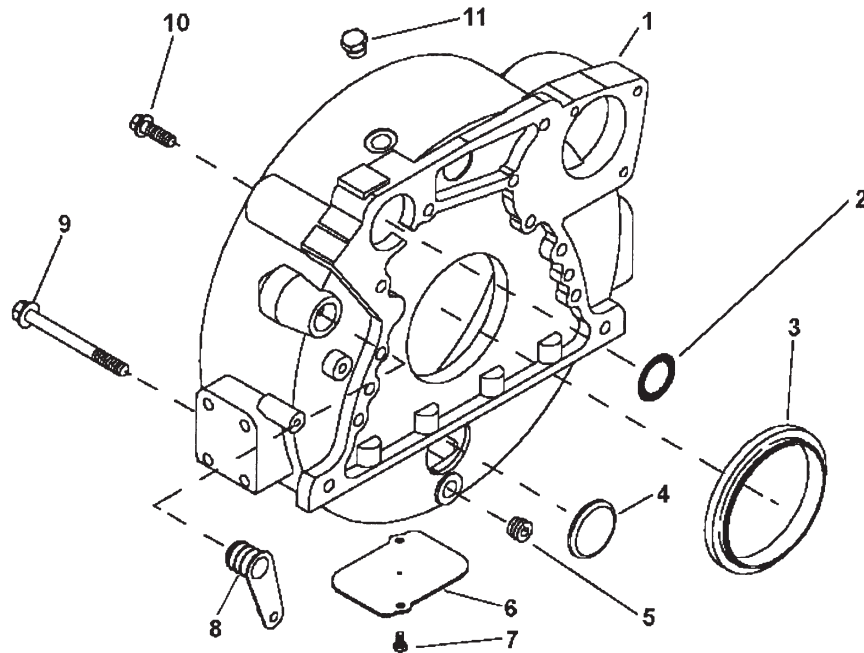


Reproduced by permission of Deere & Co., c2006. Deere & Company. All rights reserved.

RGF8234

KEY	PART NUMBER	QTY	DESCRIPTION	SERIAL NUMBER
1	R503453	1	Flywheel Housing SAE #2	-
2	RE44574	1	Seal	-
3	R131769	1	Plug	-
4	19M8306	4	Capscrew, M12 x 50 mm	-
5	R135918	10	Bolt	-
6	R39112	1	Fitting	-
7	R61467	1	O-ring	-

Flywheel Housing SAE #3



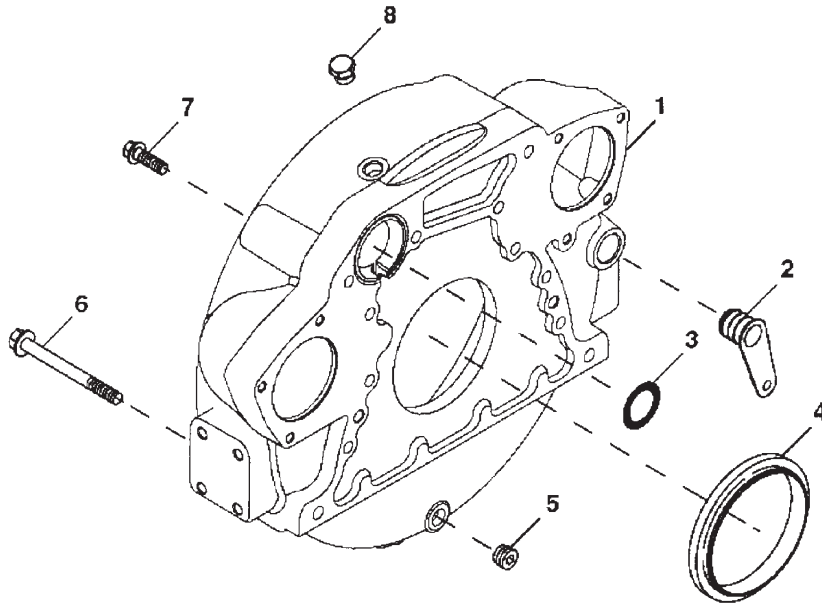
Reproduced by permission of Deere & Co., c2006. Deere & Company. All rights reserved.

RGP7501

KEY	PART NUMBER	QTY	DESCRIPTION	SERIAL NUMBER
1	R503451	1	Flywheel Housing SAE #3	-
2	R61467	1	O-ring	-
3	RE44574	1	Seal	-
4	T13518	1	Plug	-
5	15H624	1	Pipe Plug, 12.7 mm	-
6	R121039	1	Plate	-
7	19M7923	2	Capscrew, M6 x 12	-
8	R131769	1	Plug	-
9	19M8306	4	Screw, M12 x 50	-
10	R135918	8	Bolt	-
11	R39112	**	Plug	-
			**As required	

Flywheel Housing SAE #3

For Dual Starter Applications

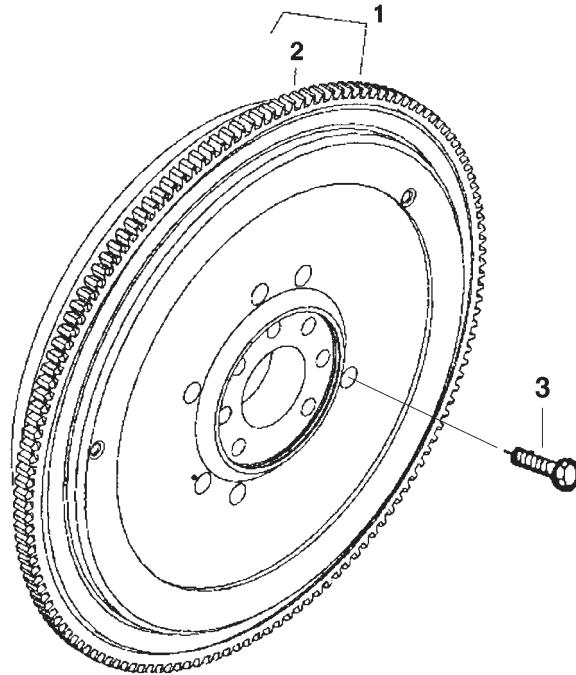


Reproduced by permission of Deere & Co., c2006. Deere & Company. All rights reserved.

RG7315

KEY	PART NUMBER	QTY	DESCRIPTION	SERIAL NUMBER
1	R500329	1	Flywheel Housing SAE #3	-
2	R131769	1	Plug	-
3	R61467	1	O-ring	-
4	RE44574	1	Seal	-
5	15H624	1	Pipe Plug, 1/2"	-
6	19M8306	4	Capscrew, M12 x 50 mm	-
7	R135918	8	Bolt	-
8	R39112	1	Fitting	-

Flywheel SAE #11-1/2

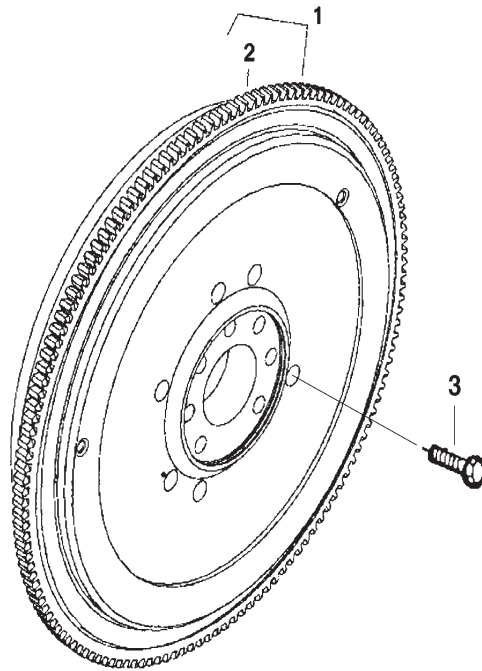


Reproduced by permission of Deere & Co., c2006. Deere & Company. All rights reserved.

RGP6022

KEY	PART NUMBER	QTY	DESCRIPTION	SERIAL NUMBER
1	RE500398	1	Flywheel (marked R500219)*	-
2	R28811	1	Ring Gear (129 Teeth)	-
3	R135918	6	Capscrew, Hex Head Flanged, M12 x 1.75 x 40 mm (Grade 10.9)	-
<p>*Not for use on applications with dual starters</p>				

Flywheel SAE #11-1/2

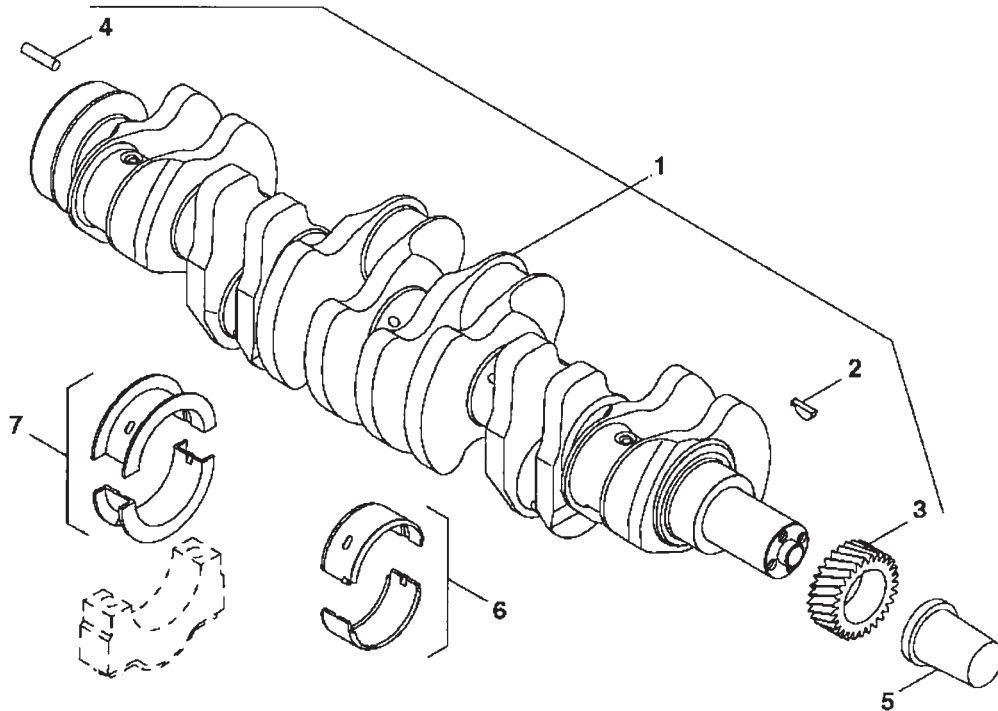


Reproduced by permission of Deere & Co., c2006. Deere & Company. All rights reserved.

RGP6022

KEY	PART NUMBER	QTY	DESCRIPTION	SERIAL NUMBER
1	RE506389	1	Flywheel SAE #11-1/2 (marked R503802)*	-
2	R28811	1	Ring Gear (129 Teeth)	-
3	R135918	6	Capscrew, Hex Head Flanged, M12 x 1.75 x 40 mm (Grade 10.9)	-
			*Used on applications with dual starters	

Crankshaft and Main Bearings



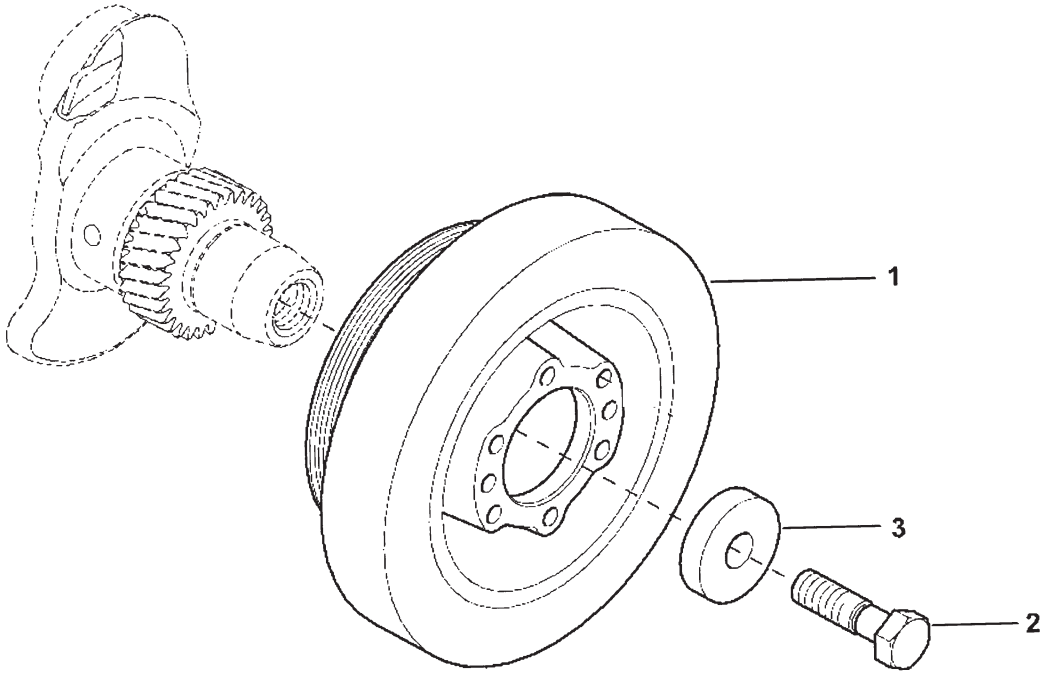
Reproduced by permission of Deere & Co., c2006. Deere & Company. All rights reserved.

RGP7288

KEY	PART NUMBER	QTY	DESCRIPTION	SERIAL NUMBER
1	RE505921	1	Crankshaft (marked R503470)	-
2	R133303	1	Shaft Key	-
3	R120631	1	Gear (30 Teeth)	-
4	R48685	1	Dowel Pin	-
5	RE59811	1	Sleeve	-
6	RE65165	6	Main Bearing Kit, (Standard, marked R123561 and R123562)	-
	RE65911	6	Main Bearing Kit (undersize .254 mm, marked R130576 and R130577)	-
7	RE65168	1	Thrust Bearing Kit, (Standard marked R123563 and R123564)	-
	RE65912	1	Thrust Bearing Kit (undersize .254 mm, marked R130574 and R130575)	-

Crankshaft Pulley and Damper

L- M1066T, M99C2, & M1066A2



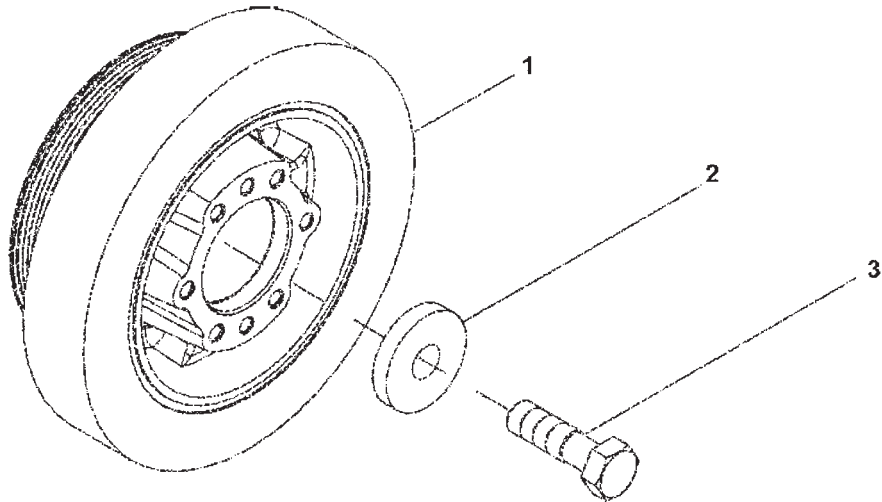
Reproduced by permission of Deere & Co., c2006. Deere & Company. All rights reserved.

CD43907A

KEY	PART NUMBER	QTY	DESCRIPTION	SERIAL NUMBER
1	RE505939	1	Pulley & Damper Assembly (188 mm O.D.)	-
2	R516648	1	Capscrew, M20 x 2.5 x 70 mm Grade 12.9	-
3	R517237	1	Washer	-

Crankshaft Pulley and Damper

L1066A, M1066A, M1066A1, A3, & M1066H @ 1800 RPM



Reproduced by permission of Deere & Co., c2006. Deere & Company. All rights reserved.

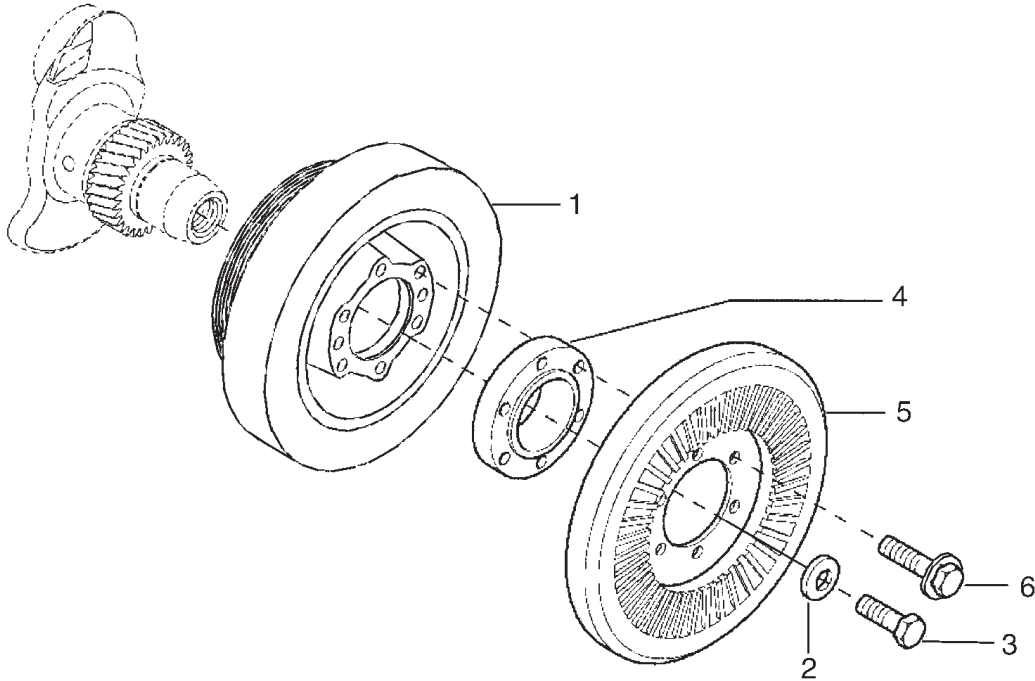
RE508955PCDD01

KEY	PART NUMBER	QTY	DESCRIPTION	SERIAL NUMBER
1	RE508578	1	Pulley & Damper Assembly (188 mm O.D.)*	-
2	R517237	1	Washer	-
3	R516648	1	Capscrew M20 x 2.5 x 70 mm Grade 12.9	-
<p>*Note: See Dual Damper parts detail for L1066A Pleasure Craft rating.</p>				

GROUP 1 – ENGINE

Dual Crankshaft Pulley and Damper

L1066A Pleasure Craft, L1066H All & M1066H @ 1500 RPM



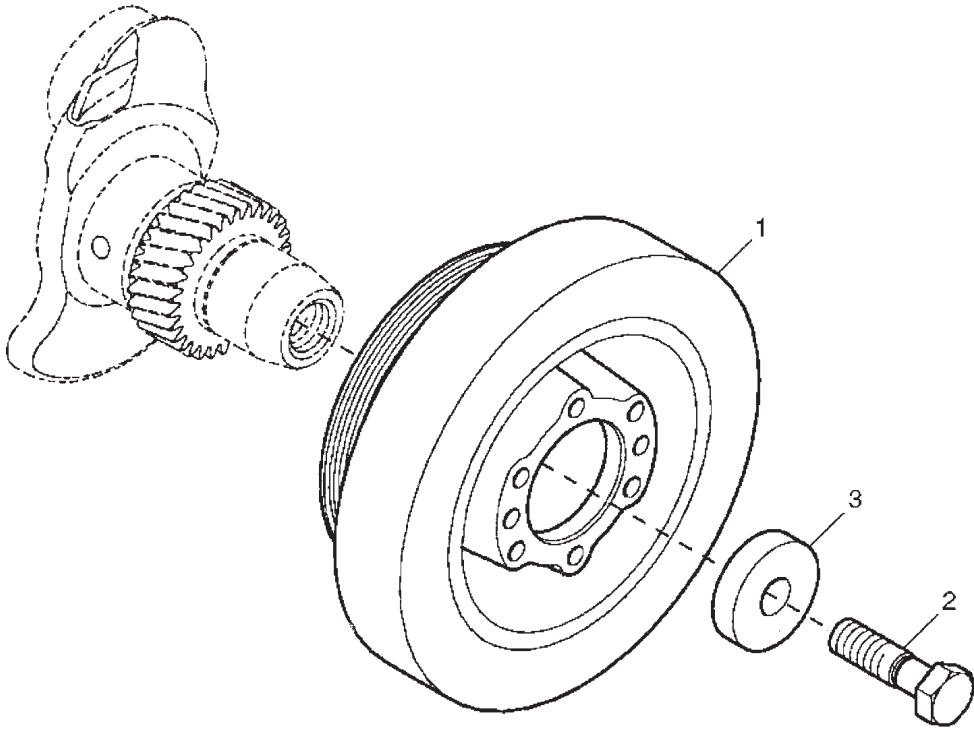
Reproduced by permission of Deere & Co., c2006. Deere & Company. All rights reserved.

RE508955PCDD01&CD43915

KEY	PART NUMBER	QTY	DESCRIPTION	SERIAL NUMBER
1	RE505941	1	Pulley & Damper Assembly (188 mm OD)	-
2	R517237	1	Washer	-
3	R516648	1	Capscrew, M20 x 2.5 x 70 mm Grade 12.9	-
4	R504531	1	Spacer (without Accessory Pulley or PTO)	-
	R521066	1	Spacer (with Accessory Pulley or PTO) (former # 31-69603)	-
5	RE57604	1	Torsional Damper	-
6	19M8162	6	Capscrew, Hex Head Flanged M10 x 1.5 x 40 mm (Without accessory pulley or PTO)	-

Crankshaft Pulley and Damper

NL1066H1, H2, H3, H4

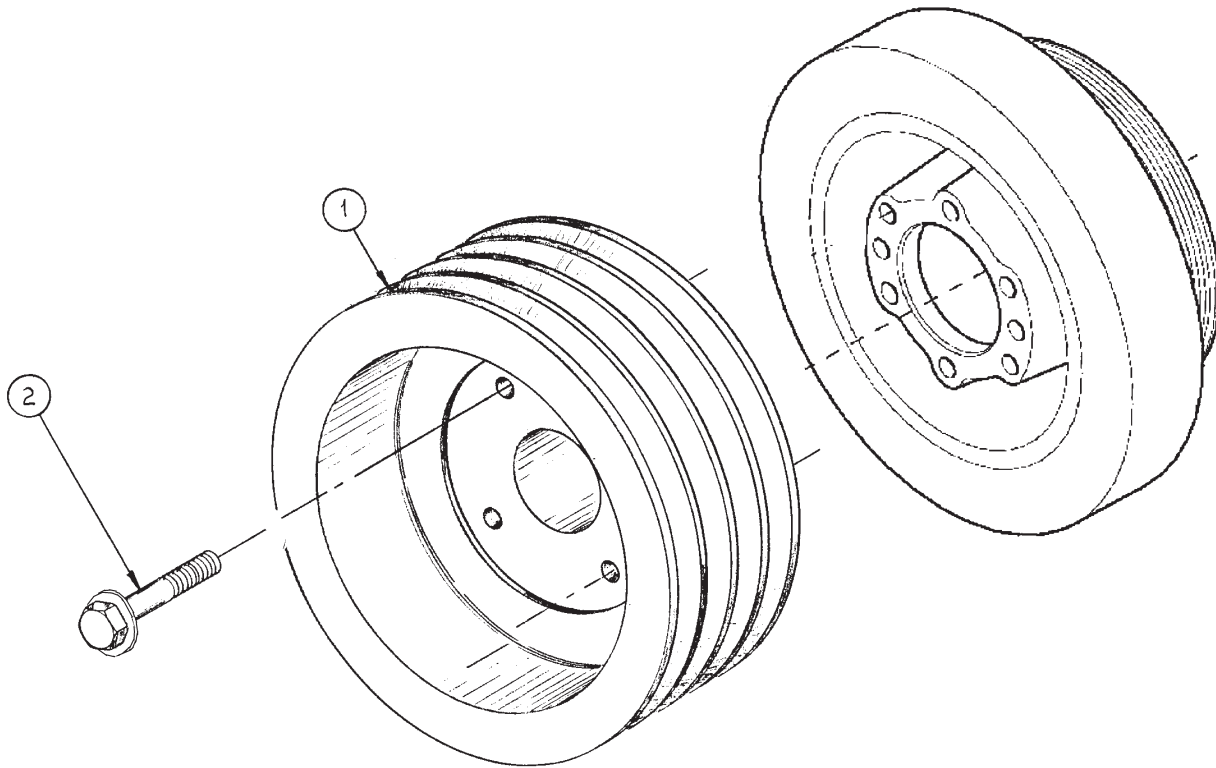


Reproduced by permission of Deere & Co., c2006. Deere & Company. All rights reserved.

RGP9824

KEY	PART NUMBER	QTY	DESCRIPTION	SERIAL NUMBER
1	RE508577	1	Pulley & Damper Assembly (168 mm O.D.)	-
2	R516648	1	Capscrew, M20 x 2.5 x 70 mm Grade 12.9	-
3	R517237	1	Washer	-

Crankshaft Pulley

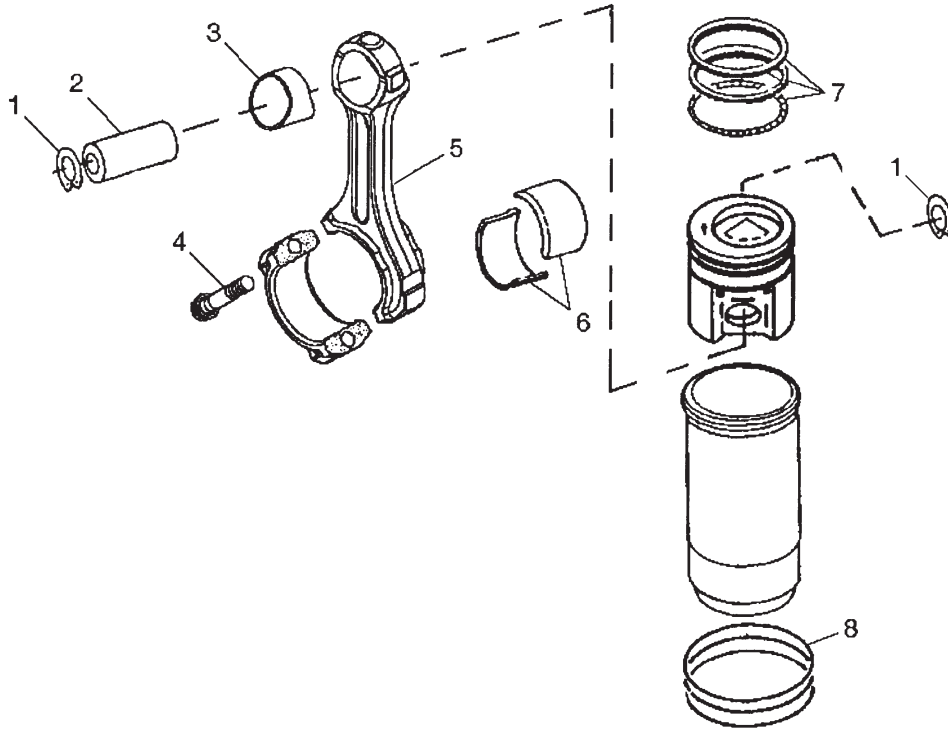


A-10447, A-10449, A-10446, A-10448/ B-3732

KEY	PART NUMBER	QTY	DESCRIPTION	SERIAL NUMBER
1	34-69502	1	Pulley, Crankshaft, 3-A/B x 8"	-
	34-69501	1	Pulley, Crankshaft, 4-A x 8"	-
2	01435-01065	6	Capscrew, Hex Head Flanged M10 x 1.5 x 65 mm (units with single damper)	-
	19M7811	6	Capscrew, Hex Head Flanged M10 x 1.5 x 90 mm (units with dual damper)	-

Cylinder Liner Assembly and Connecting Rod

L- M- NL1066T, M99C2, L-1066A, M1066A1, A2, A3 and NL1066H1, H2, H3



Reproduced by permission of Deere & Co., c2006. Deere & Company. All rights reserved.

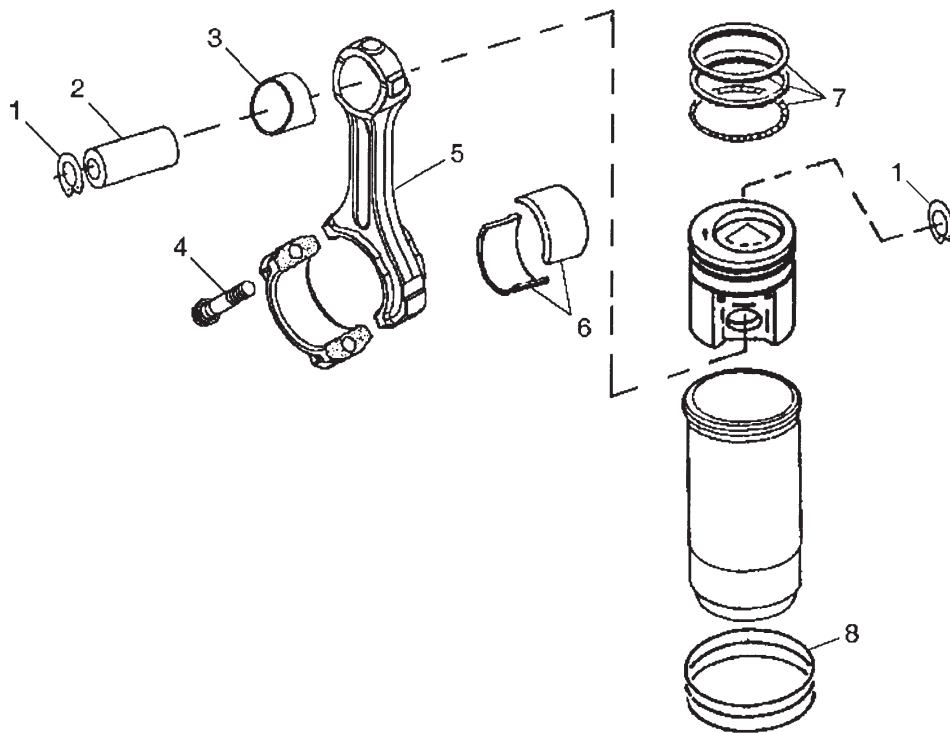
RGP6650

KEY	PART NUMBER	QTY	DESCRIPTION	SERIAL NUMBER
••	RE507850	6	Piston Liner Kit (marked RE509540, includes # 7&8) Former # RE505112	
1	M41029	12	Snap Ring	-
2	R123177	6	Piston Pin	-
3	R114082	6	Bushing	-
4	R501124	12	Screw	-
5	RE500608	6	Connecting Rod (marked R500335)	-
6	RE65908	6	Bearing (Standard)	-
	RE65909	6	Bearing (undersize .010 mm)	-
7	RE507852	6	Piston Ring Kit	-
8	AR65507	6	O-ring Kit	-

GROUP 1 – ENGINE

Cylinder Liner Assembly and Connecting Rod

L- M1066H & NL1066H4



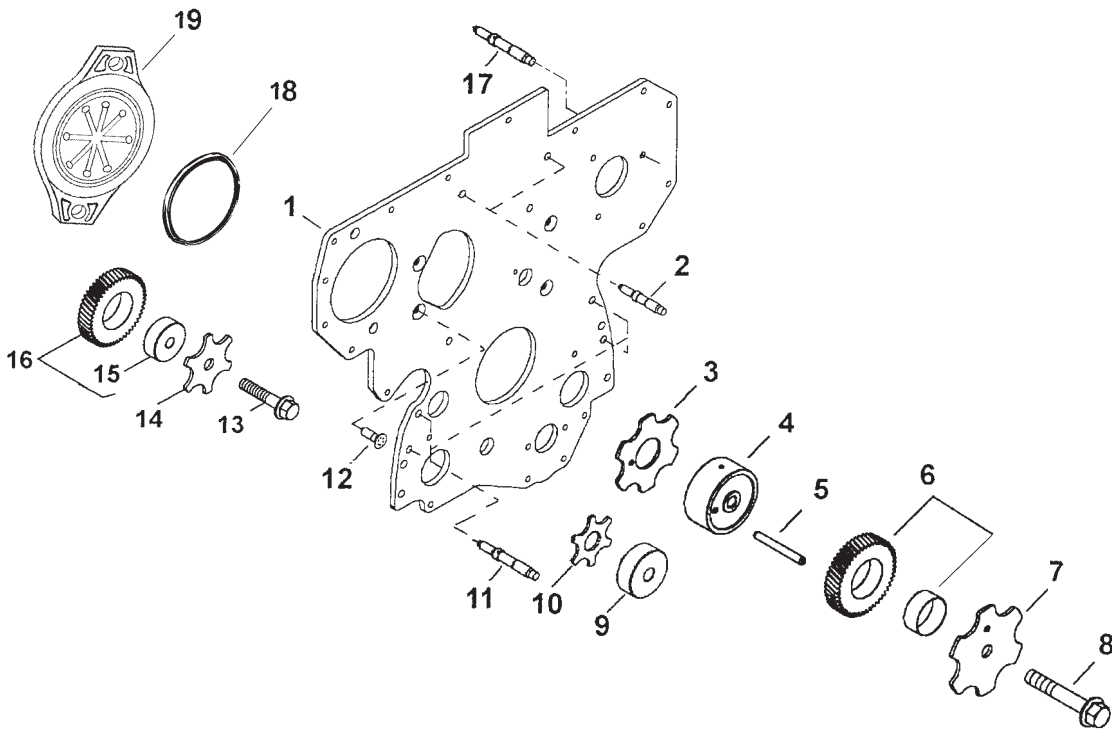
Reproduced by permission of Deere & Co., c2006. Deere & Company. All rights reserved.

RGP6650

KEY	PART NUMBER	QTY	DESCRIPTION	SERIAL NUMBER
••	RE516228	6	Piston Liner Kit (marked RE507758, includes keys #7-8)	-
1	R54114	12	Snap Ring	-
2	R502755	6	Piston Pin	-
3	R114082	6	Bushing	-
4	R501124	12	Screw	-
5	RE500608	6	Connecting Rod (marked R500335, includes keys #3-4)	-
6	RE65908	6	Bearing (Standard)	-
	RE65909	6	Bearing (Undersized .254 mm)	-
7	RE516268	6	Piston Ring Kit	-
8	AR65507	6	O-ring Kit	-

Timing Cover Plate

M- L1066T, M99C2, L1066A, A1, A2, A3



Reproduced by permission of Deere & Co., c2006. Deere & Company. All rights reserved.

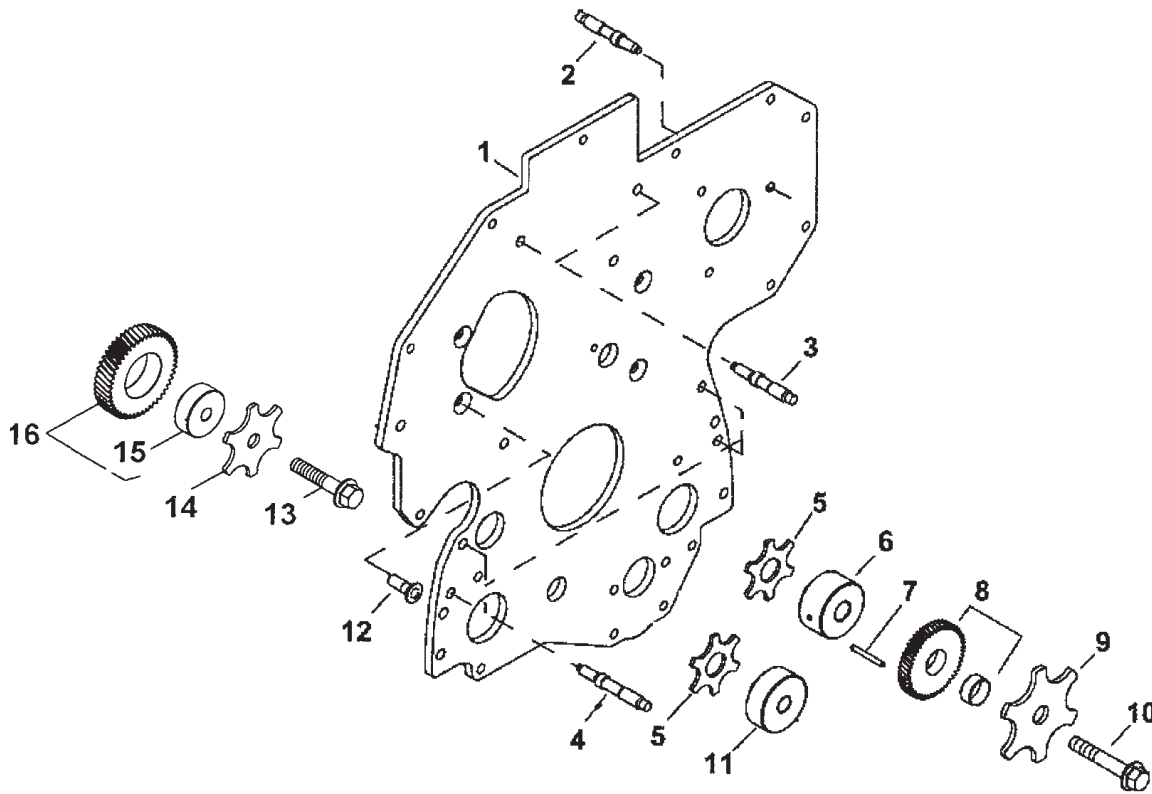
RGP8974

KEY	PART NUMBER	QTY	DESCRIPTION	SERIAL NUMBER
1	R134526	1	Plate (L- M1066T & M1066A1 @ 60 Hz)	-
	R503550	1	Plate (L1066A - M1066A1 @ 50 Hz - M1066A2, A3)	-
2	R134518	2	Stud	-
3	R123174	1	Lock Washer	-
4	R120641	1	Shaft, Upper (use with key #5)	-
5	34H288	1	Spring Pin	-
6	RE56313	1	Gear, Upper Idler (marked R120635, includes R130912)	-
7	R131206	1	Thrust Washer	-
8	19M8997	1	Screw, M10 x 65 mm	-
9	R114194	1	Shaft, Lower	-
10	R101225	1	Thrust Washer	-
11	R123584	4	Stud	-
12	R136475	4	Screw	-
13	19M8966	1	Screw, M10 x 50 mm	-
14	R131283	1	Thrust Washer	-
15	R114193	1	Bushing	-
16	RE56369	1	Gear	-
17	R116386	3	Stud	-
18	T20758	**	O-ring	-
19	R135757	**	Cover (L- M1066T)	-

**As required

Timing Cover Plate

NL1066T, H1, H2, H3



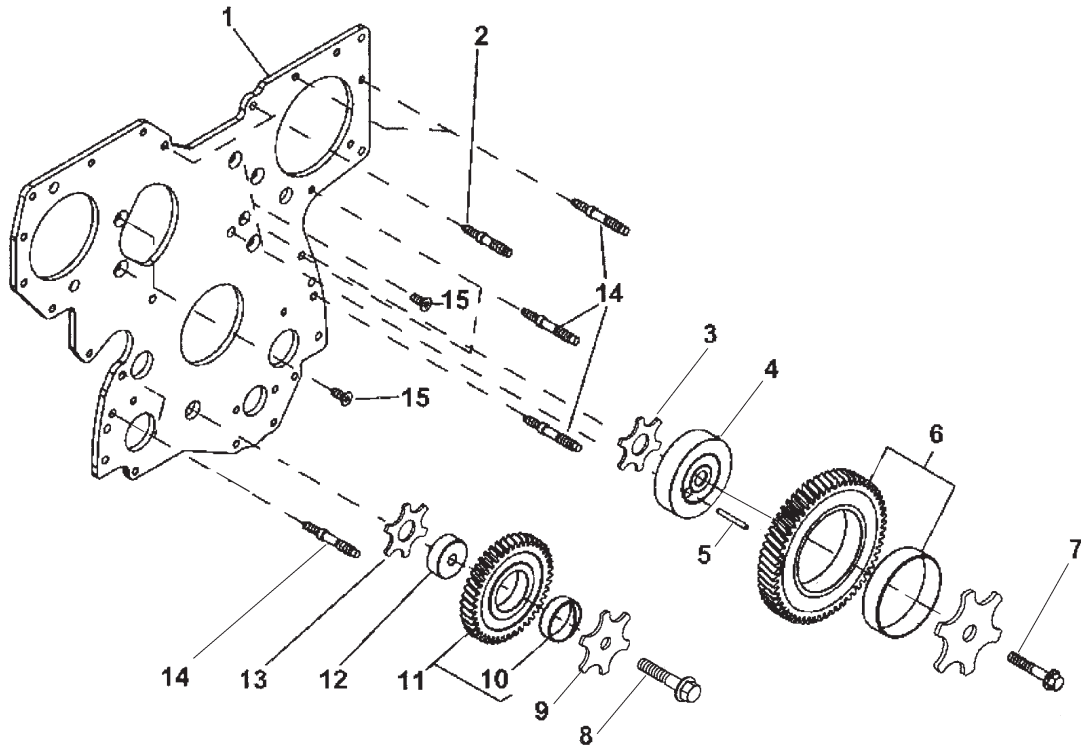
Reproduced by permission of Deere & Co., c2006. Deere & Company. All rights reserved.

RGP8269/RGP7808

KEY	PART NUMBER	QTY	DESCRIPTION	SERIAL NUMBER
1	R134527	1	Plate (NL1066T- H1)	-
	R500711	1	Plate (NL1066H2- H3)	-
2	R116386	3	Stud (NL1066T- H1)	-
	R134212	4	Stud (NL1066H2- H3)	-
3	R134518	2	Stud	-
4	R123584	4	Stud	-
5	R101225	2	Thrust Washer (NL1066T- H1)	-
	R101225	1	Thrust Washer (NL1066H2- H3)	-
	R123174	1	Thrust Washer (NL1066H2- H3)	-
6	R120641	1	Shaft, Upper	-
7	34H288	1	Spring Pin	-
8	RE56313	1	Gear (marked R120635)	-
9	R131206	1	Thrust Washer, Upper Idler	-
10	19M8997	1	Screw M10 x 65 mm	-
11	R114194	1	Shaft, Lower	-
12	R136475	**	Screw	-
13	19M8966	1	Capscrew, M10 x 50 mm	-
14	R131283	1	Thrust Washer	-
15	R114193	1	Bushing	-
16	RE56369	1	Gear	-
			**As required	

Timing Cover Plate

M & L1066H



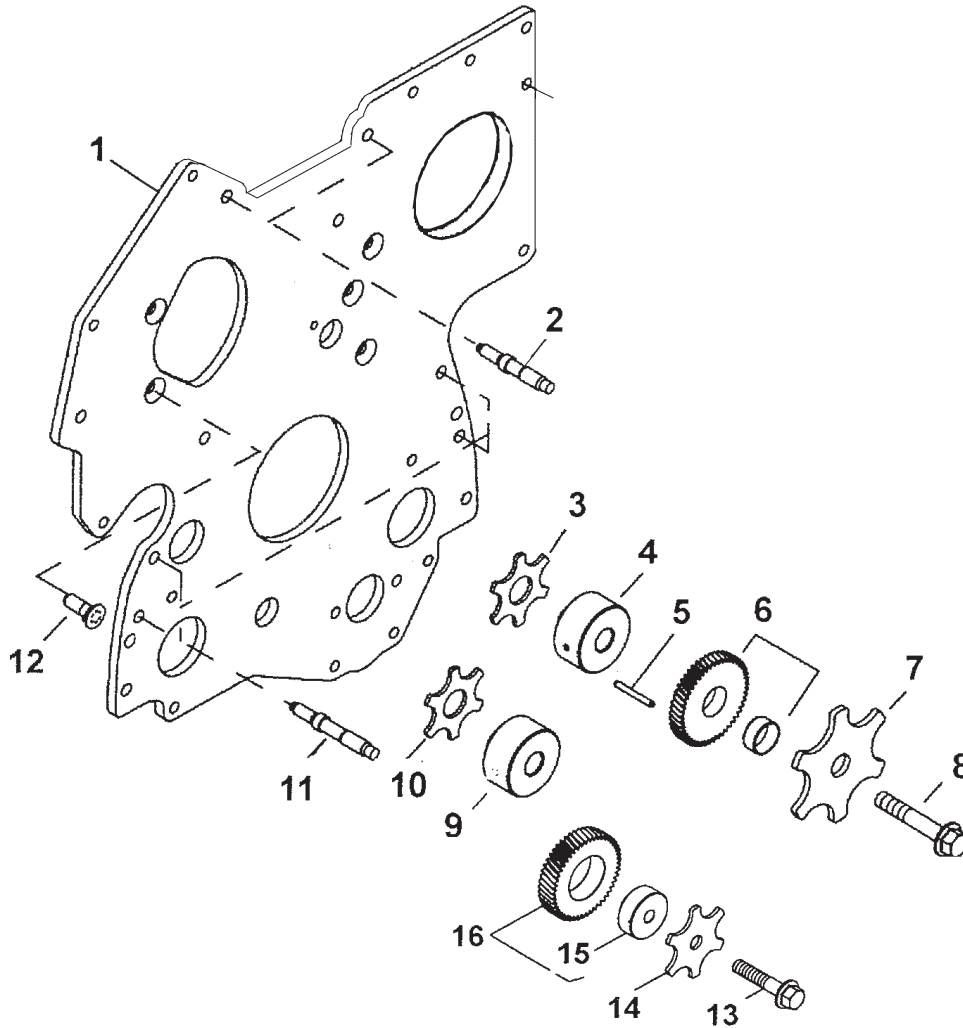
Reproduced by permission of Deere & Co., c2006. Deere & Company. All rights reserved.

RE506566SPA

KEY	PART NUMBER	QTY	DESCRIPTION	SERIAL NUMBER
1	R504282	1	Plate	-
2	R134518	2	Stud	-
3	R515494	1	Lock Washer	-
4	R504843	1	Shaft	-
5	R515408	1	Dowel Pin	-
6	RE508489	1	Gear (marked R504614)	-
7	19M7807	1	Capscrew, M10 x 60	-
8	19M8966	1	Capscrew, M10 x 50	-
9	R131283	1	Thrust Washer	-
10	R114193	1	Bushing	-
11	RE56369	1	Gear	-
12	R114194	1	Shaft, Lower	-
13	R101225	1	Thrust Washer	-
14	R123584	7	Stud	-
15	R136475	5	Screw	-

Timing Gear Front Plate

NL1066H4



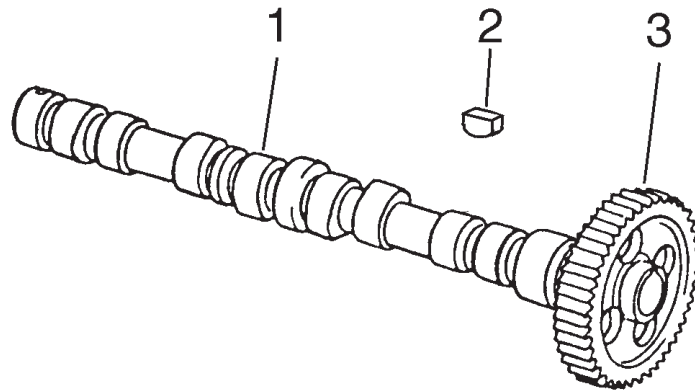
Reproduced by permission of Deere & Co., c2006. Deere & Company. All rights reserved.

RE505834SPA

KEY	PART NUMBER	QTY	DESCRIPTION	SERIAL NUMBER
1	R504576	1	Plate	-
2	R134518	2	Stud	-
3	R515494	1	Lock Washer	-
4	R504843	1	Shaft, Upper	-
5	R515408	1	Dowel Pin	-
6	RE508489	1	Gear (marked R504614)	-
7	R515494	1	Lock Washer	-
8	19M7807	1	Capscrew, M10 x 60 mm	-
9	R114194	1	Shaft, Lower	-
10	R101225	1	Thrust Washer	-
11	R123584	7	Stud	-
12	R136475	5	Screw	-
13	19M8966	1	Capscrew, M10 x 50 mm	-
14	R131283	1	Thrust Washer	-
15	R114193	1	Bushing	-
16	RE56369	1	Gear	-

Camshaft

L- M- NL1066T, M99C2, L1066A, M1066A1, A2, A3, & NL1066H1, H2, H3



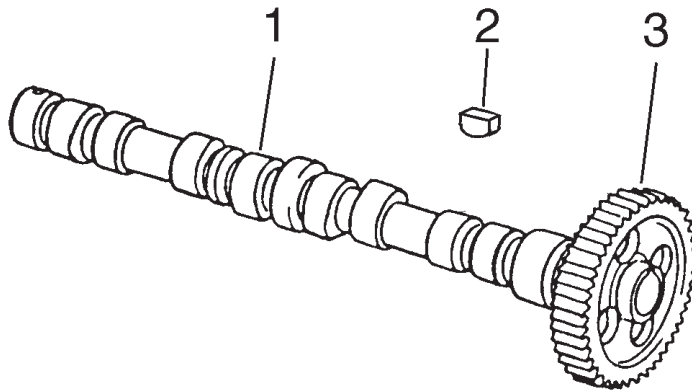
Reproduced by permission of Deere & Co., c2006. Deere & Company. All rights reserved.

TP60711

KEY	PART NUMBER	QTY	DESCRIPTION	SERIAL NUMBER
1	RE507149	1	Camshaft (marked R504535, includes keys #2-3)	-
2	R133303	1	Shaft Key	-
3		1	Gear (60 Teeth, marked R133812)*	-
*Not available separately - order camshaft assembly				

Camshaft

L- M1066H and NL1066H4



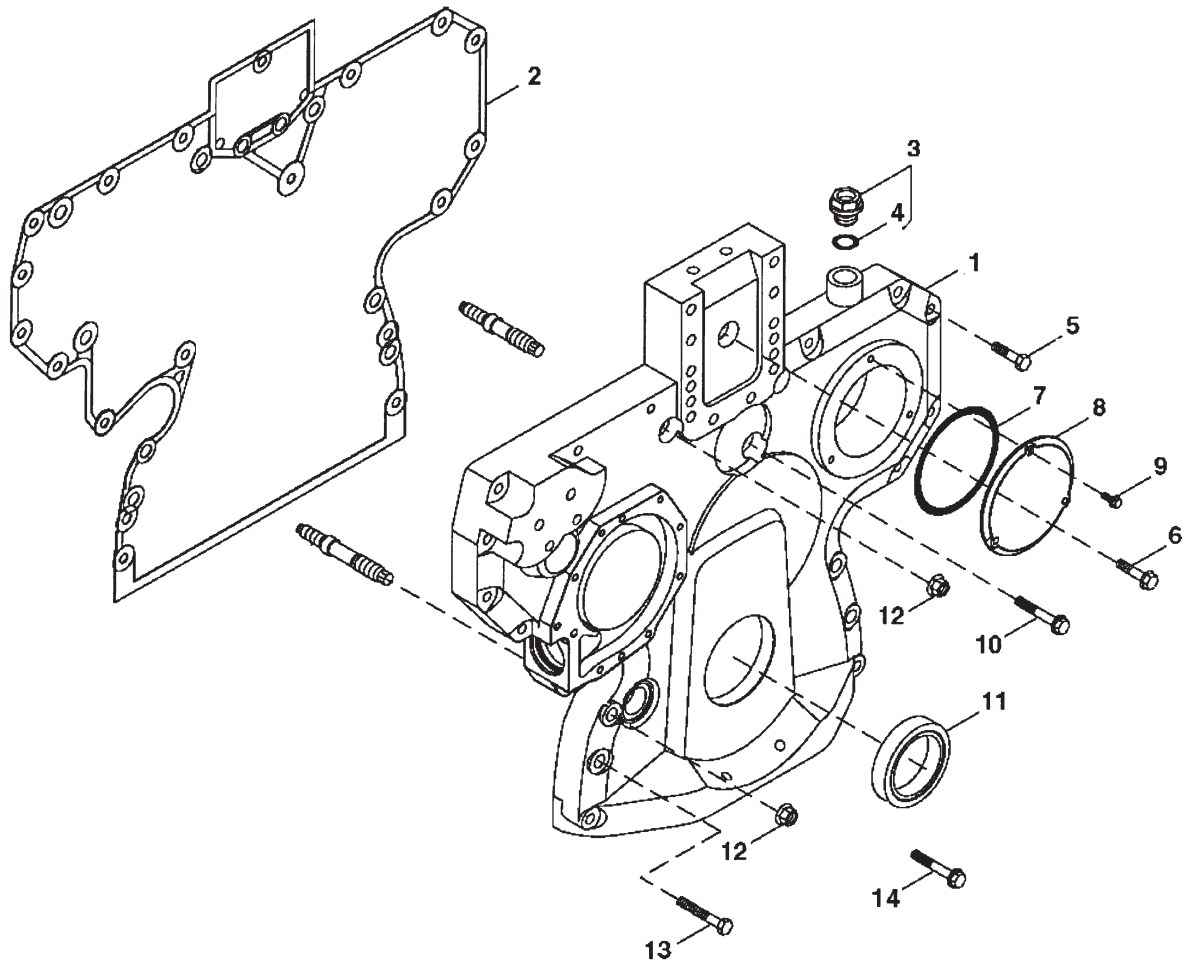
Reproduced by permission of Deere & Co., c2006. Deere & Company. All rights reserved.

TP60712

KEY	PART NUMBER	QTY	DESCRIPTION	SERIAL NUMBER
1	RE515611	1	Camshaft (marked R515245, includes keys #2-3)	-
2	R133303	1	Shaft Key	-
3		1	Gear (60 Teeth, marked R516237)*	-
			*Not available separately - order camshaft assembly	

Timing Gear Cover

L- M1066T, L1066A, M1066A, M1066A1, A2, A3



Reproduced by permission of Deere & Co., c2006. Deere & Company. All rights reserved.

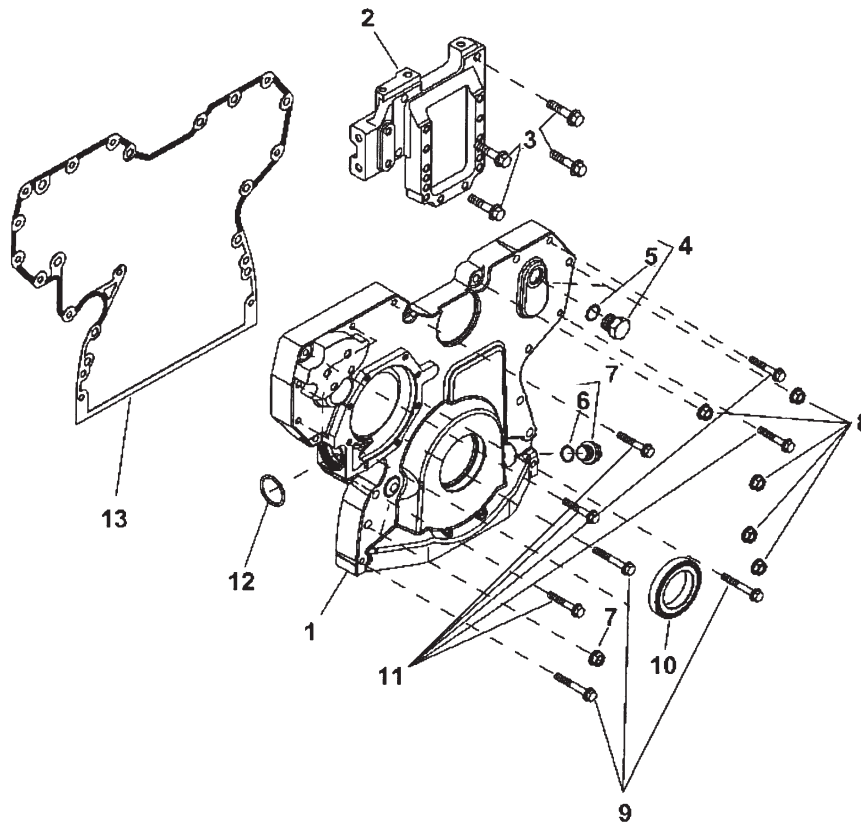
RGP8277

KEY	PART NUMBER	QTY	DESCRIPTION	SERIAL NUMBER
1	R504724	1	Cover (Replaced by R520129, also order installation kit RE515978)	-
	R520129	1	Cover	-
2	R136515	1	Gasket (use with cover R504724)	-
	R520131	1	Gasket (use with cover R520129)	-
3	RE517370	1	Plug	-
4	51M7044	1	O-ring	-
5	19M8317	10	Screw	-
6	19M8291	1	Capscrew, M8 x 35 mm	-
7	R121424	1	O-ring	-
8	R121411	1	Cover	-
9	19M7775	3	Capscrew, M6 x 16 mm	-
10	RE67239	1	Capscrew	-
11	RE505515	1	Seal Kit (formerly #RE59810)	-
12	14M7296	6	Flange Nut, M10	-
13	19M7979	2	Screw	-
14	19M7801	1	Capscrew, M8 x 60 mm	-

GROUP 1 – ENGINE

Timing Cover

L-M1066H



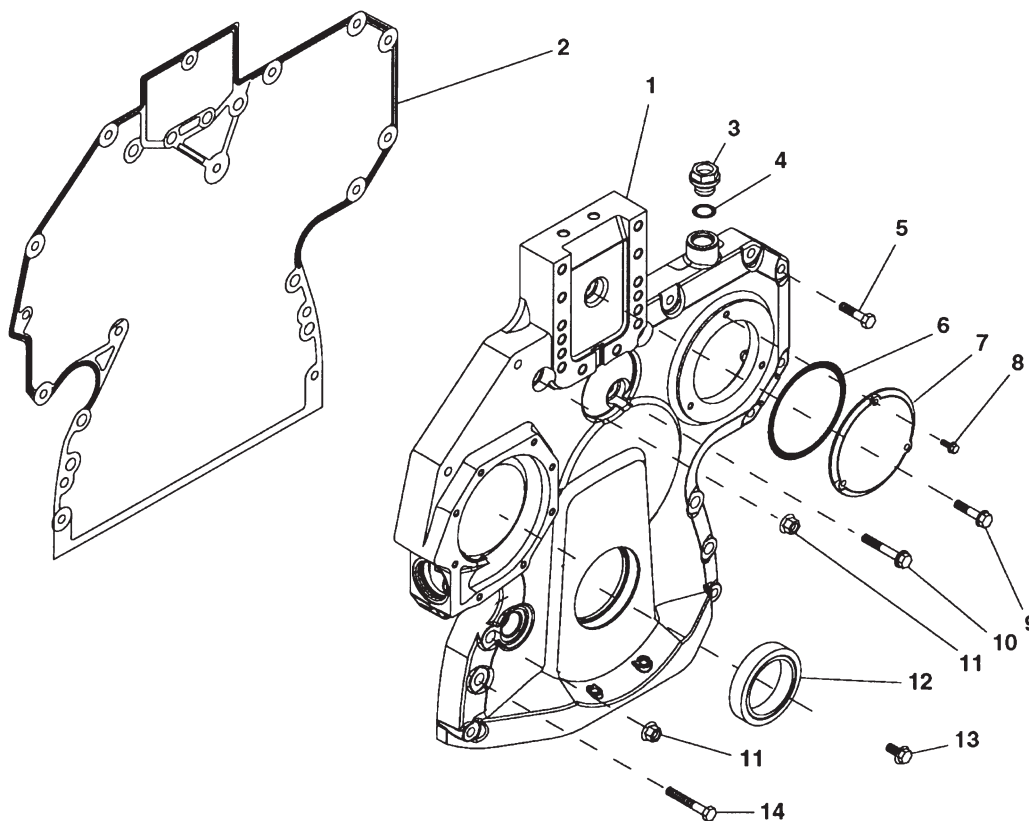
Reproduced by permission of Deere & Co., c2006. Deere & Company. All rights reserved.

RGP9019

KEY	PART NUMBER	QTY	DESCRIPTION	SERIAL NUMBER
1	RE509865	1	Timing Gear Cover (former # RE50396)	-
2	R516557	1	Adapter	-
3	19M7805	4	Capscrew, M10 x 45 mm	-
4	RE46687	1	Plug	-
5	51M7045	1	O-ring	-
6	51M7044	1	O-ring	-
7	RE517370	1	Plug	-
8	14M7296	9	Flange Nut, M10	-
9	19M7801	3	Capscrew, M8 x 60 mm	-
10	RE505515	1	Seal Kit (formerly #RE59810)	-
11	19M7800	5	Screw	-
12	R504734	1	O-ring	-
13	R523184	1	Gasket (formerly #R503597)	-

Timing Gear Cover

NL1066T, H1, H2, H3



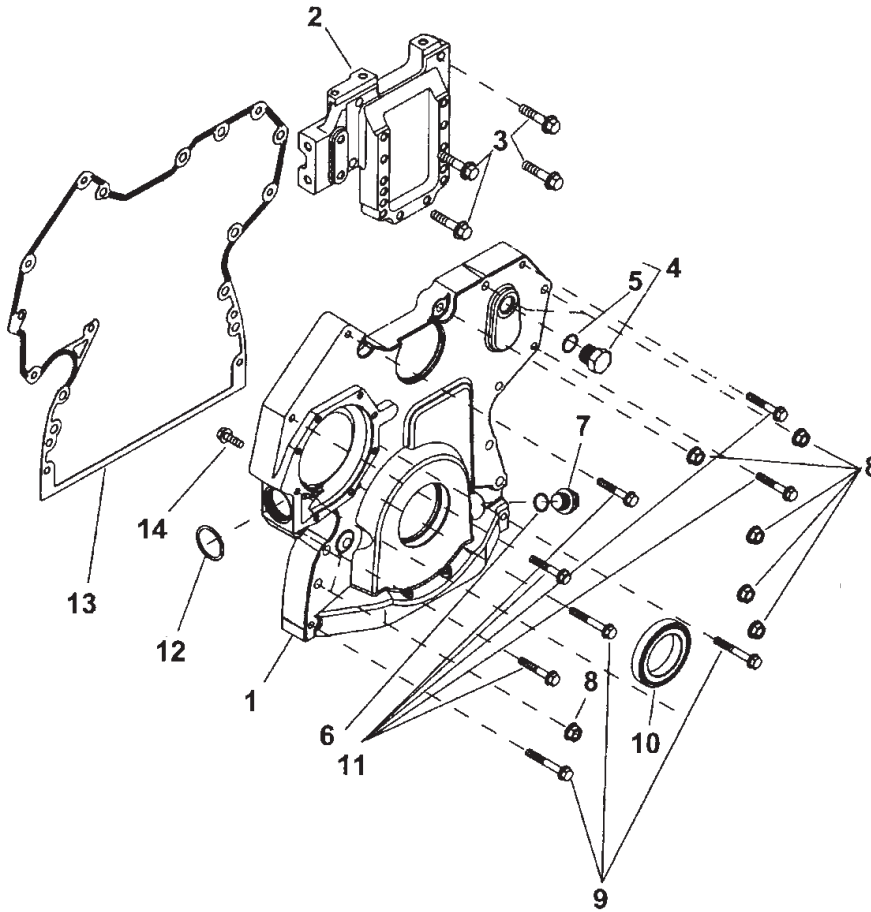
Reproduced by permission of Deere & Co., c2006. Deere & Company. All rights reserved.

RGP8338a

KEY	PART NUMBER	QTY	DESCRIPTION	SERIAL NUMBER
1	R504725	1	Cover (replaced by R520130 cover, R520132 gasket & RE515978 installation kit)	-
	R520130	1	Timing Cover	-
2	R136516	1	Gasket (use with R504725)	-
	R520132	1	Gasket (use with R520130)	-
3	RE517370	1	Fitting Plug (includes key #4)	-
4	51M7044	1	O-ring	-
5	19M8317	10	Capscrew, M8 x 40 mm	-
6	R121424	1	O-ring	-
7	R121411	1	Cover	-
8	19M7775	3	Capscrew, M6 x 16 mm	-
9	19M8291	1	Capscrew, M8 x 35 mm	-
10	RE67239	2	Capscrew, M8 x 45 mm	-
11	14M7296	6	Flange Nut	-
12	RE505515	1	Seal Kit (formerly #RE59810)	-
13	19M7801	1	Capscrew, M8 x 60 mm	-
14	19M7979	2	Capscrew, M8 x 55 mm	-

Timing Gear Cover

NL1066H4



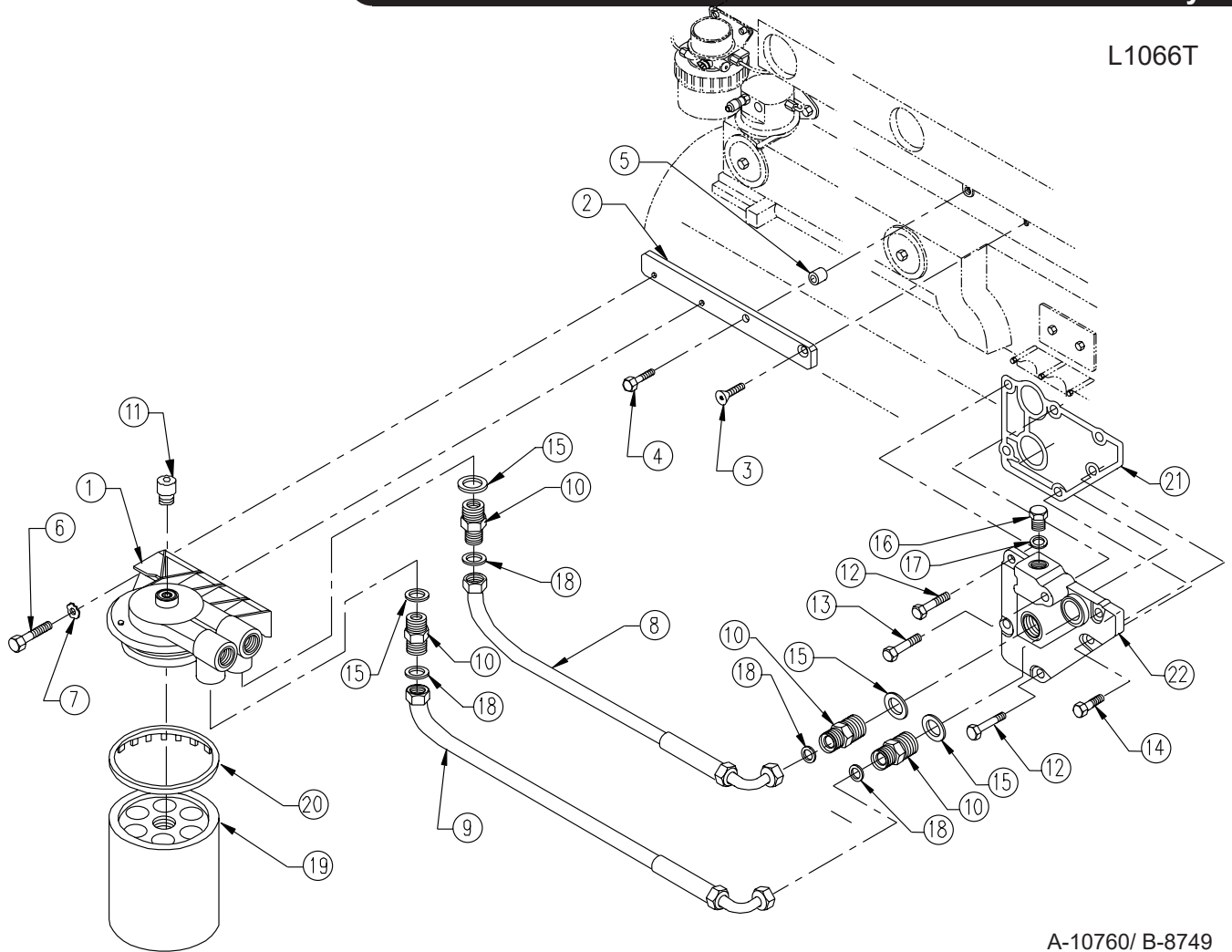
Reproduced by permission of Deere & Co., c2006. Deere & Company. All rights reserved.

RE516919SPA

KEY	PART NUMBER	QTY	DESCRIPTION	SERIAL NUMBER
1	RE503769	1	Timing Gear Cover	-
2	R516557	1	Adapter	-
3	19M7805	4	Capscrew, M10 x 45 mm	-
4	RE46687	1	Plug	-
5	51M7045	1	O-ring	-
6	51M7044	1	O-ring	-
7	RE501938	1	Plug	-
8	14M7296	9	Flange Nut, M8 x 25 mm	-
9	19M7801	3	Capscrew, M8 x 60 mm	-
10	RE505515	1	Seal Kit (formerly #RE59810)	-
11	19M7800	5	Screw, M8 x 50 mm	-
12	R504734	1	O-ring	-
13	R502954	1	Gasket	-
14	19M7867	1	Capscrew, M8 x 25 mm	-

Oil Filter Assembly

L1066T



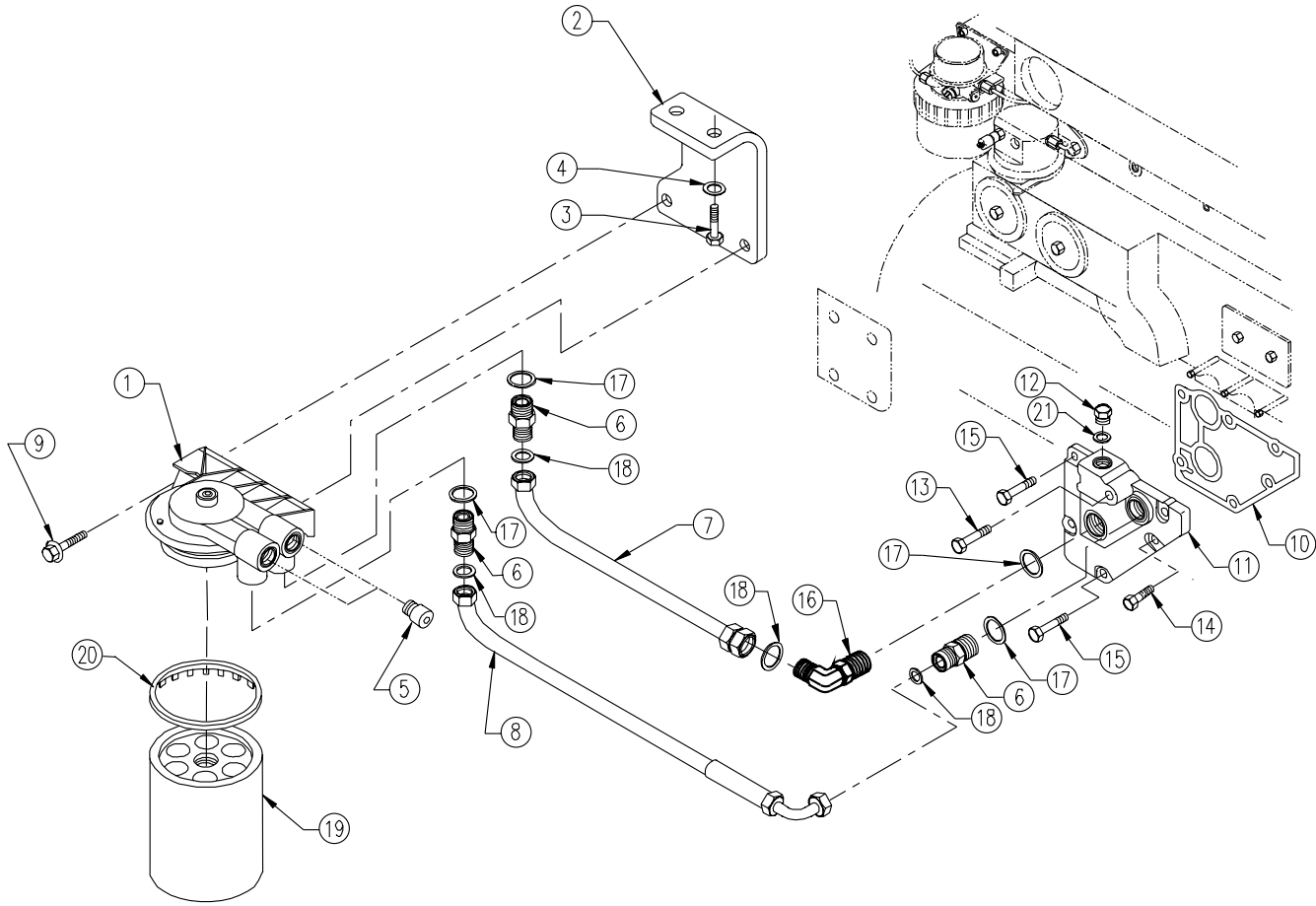
A-10760/ B-8749

KEY	PART NUMBER	QTY	DESCRIPTION	SERIAL NUMBER
1	31-79501	1	Adapter, Oil Filter Mounting (includes key #20)	-
2	23-09601	1	Bracket, Oil Filter Adapter Mounting	-
3	12-10815	1	Capscrew, Flangehead Socket M10 x 1.5 x 20 mm	-
4	01435-01040	1	Capscrew, Hex Head Flanged M10 x 1.5 x 40 mm	-
5	21-13110	1	Spacer	-
6	12-00809	2	Capscrew, Hex Head M10 x 1.25 x 25 mm	-
7	15-00804	2	Wave Washer M10	-
8	18-09401	1	Hose Assembly 1/2" ID x 16"	-
9	18-09401	1	Hose Assembly 1/2" ID x 16"	-
10	21-09504	4	Male Connector Steel, M22 x 1.5 x 5/8 O-ring	-
11	21-79503	2	Plug	-
12	19M7802	4	Capscrew, M8 x 65 mm	-
13	19M7913	1	Capscrew, M8 x 90 mm	-
14	RE67238	1	Capscrew, M8 x 20 mm	-
15	16-09501	4	O-ring	-
16	RE52242	1	Plug	-
17	51M7042	1	O-ring	-
18	T77932	4	O-ring	-
19	24-09501	1	Oil Filter	-
20	R502513	1	Sealing Ring	-
21	R123525	1	Gasket	-
22	RE520814	1	Adapter	-

GROUP 1 - ENGINE

Oil Filter Assembly

L1066A

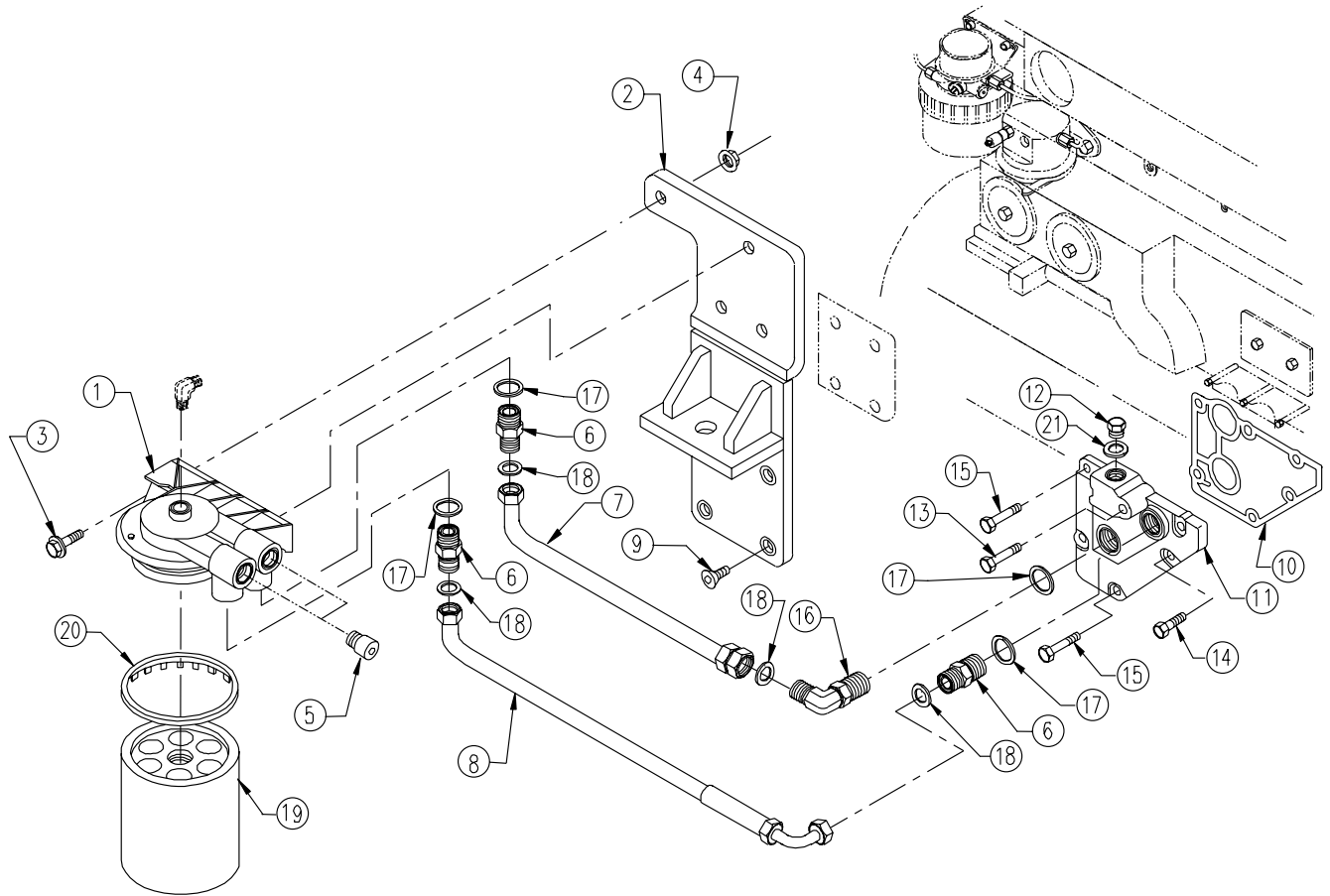


A-10668/ B-8531

KEY	PART NUMBER	QTY	DESCRIPTION	SERIAL NUMBER
1	31-79501	1	Adapter, Oil Filter Mounting (includes key #20)	-
2	23-79605	1	Bracket, Oil Filter Adapter Mounting	-
3	12-00805	2	Capscrew, Hex Head M10 x 1.5 x 20 mm	-
4	15-00802	2	Lock Washer M10	-
5	21-79503	2	Plug, Socket Head Steel M22 x 1.5	-
6	21-09504	3	Male Connector, Steel	-
7	18-09603	1	Hose Assembly 1/2" ID x 17-1/2"	-
8	18-09602	1	Hose Assembly 1/2" ID x 20"	-
9	19M7784	2	Capscrew, Hex Head Flanged M10 x 1.5 x 20 mm	-
10	R123525	1	Gasket	-
11	RE520814	1	Adapter (marked R123646, formerly #RE71062, includes keys 6, 12, 16-18)	-
12	RE52242	1	Plug	-
13	19M7913	1	Capscrew, M8 x 90 mm	-
14	RE67238	1	Capscrew, M8 x 20 mm	-
15	19M7802	4	Capscrew, M8 x 65 mm	-
16	21-09505	1	Elbow Fitting	-
17	16-09501	4	O-ring	-
18	T77932	4	O-ring	-
19	24-09501	1	Oil Filter	-
20	R502513	1	Sealing Ring	-
21	51M7042	1	O-ring	-

Oil Filter Assembly

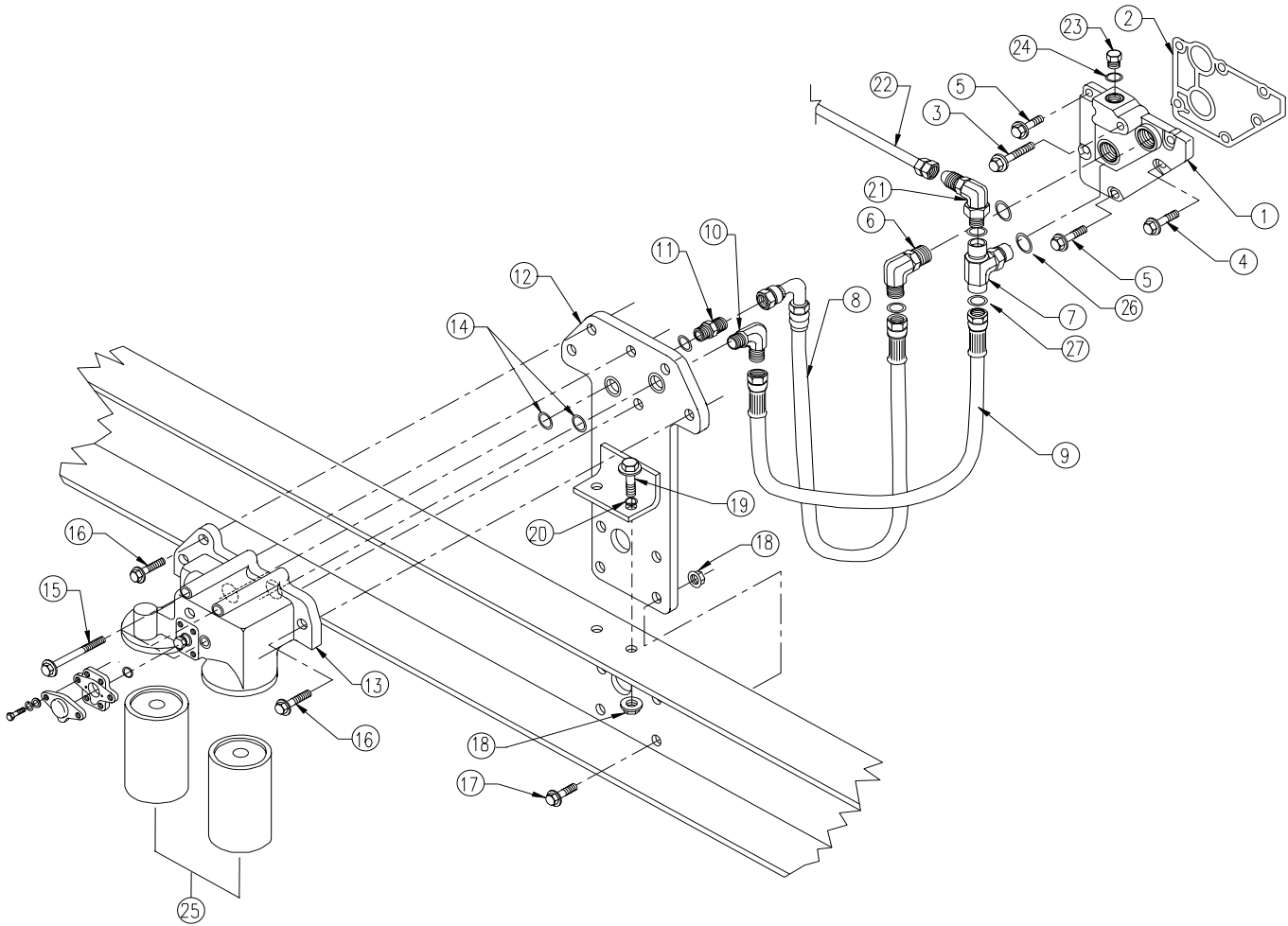
L1066H



A-10157/ B-8532

KEY	PART NUMBER	QTY	DESCRIPTION	SERIAL NUMBER
1	31-79501	1	Adapter, Oil Filter Mounting (includes key #20)	-
2	23-89612	1	Bracket, Rear Engine/ Oil Filter Mounting	-
3	19M7785	2	Capscrew, Hex Head Flanged M10 x 1.5 x 25 mm	-
4	14-80811	2	Hex Nut Flanged, M10 x 1.5	-
5	21-79503	2	Plug, Socket Head Steel M22 x 1.5	-
6	21-09504	3	Male Connector, Steel	-
7	18-09604	1	Hose Assembly 1/2" ID x 31"	-
8	18-09605	1	Hose Assembly 1/2" ID x 34"	-
9	12-10913	4	Capscrew, Flat Head Socket M12 x 1.75 x 25 mm	-
10	R123525	1	Gasket	-
11	RE520814	1	Adapter (marked R123646, formerly #RE71062, includes keys 6, 12, 16-18)	-
12	RE52242	1	Plug	-
13	19M7913	1	Capscrew, M8 x 90 mm	-
14	RE67238	1	Capscrew, M8 x 20 mm	-
15	19M7802	4	Capscrew, M8 x 65 mm	-
16	21-09505	1	Elbow Fitting	-
17	16-09501	4	O-ring	-
18	T77932	4	O-ring	-
19	24-09501	1	Oil Filter	-
20	R502513	1	Sealing Ring	-
21	51M7042	1	O-ring	-

Duplex Oil Filter Assembly



A-10882/ B-8875

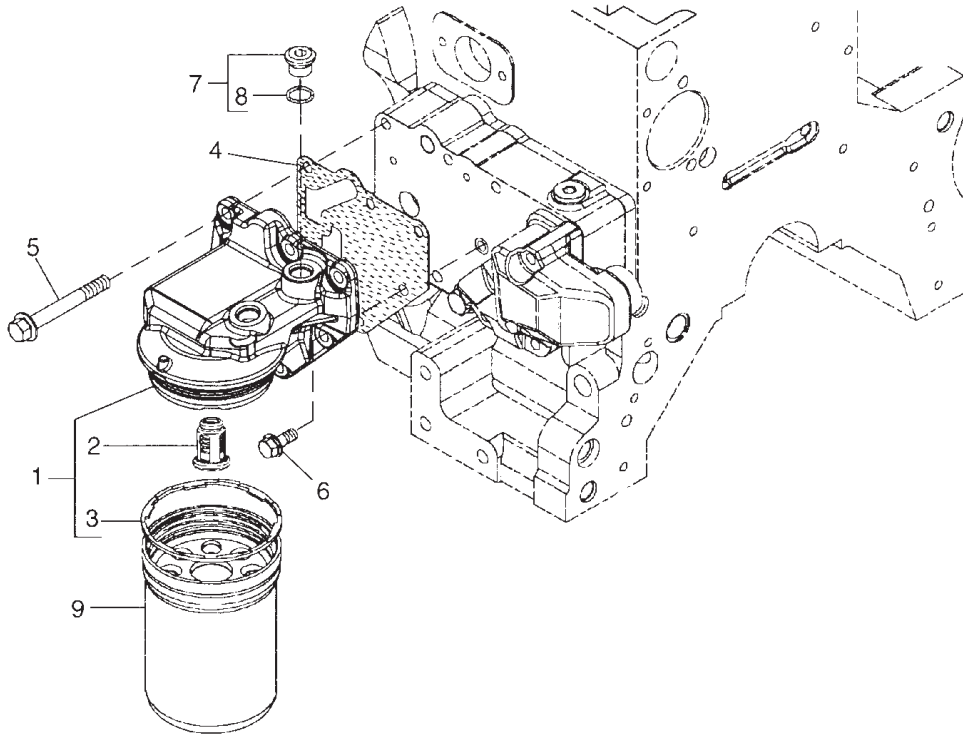
Duplex Oil Filter Assembly

KEY	PART NUMBER	QTY	DESCRIPTION	SERIAL NUMBER
1	RE71062	1	Adapter Assembly with Fittings	-
2	R123525	1	Gasket, Oil Filter Adapter	-
3	19M7913	1	Capscrew, Hex Head Flanged M8 x 1.25 x 90 mm	-
4	RE67238	1	Capscrew, Hex Head Flanged M8 x 1.25 x 20 mm	-
5	19M7802	4	Capscrew, Hex Head Flanged M8 x 1.25 x 65 mm	-
6	21-09505	1	Male Elbow, 90° Steel M22 x 1.5 x 5/8 O-ring face	-
7	21-09520	1	Branch Tee, Steel M22 x 1.5 x 5/8 O-ring	-
8	18-09605	1	Hose Assembly 1/2" I.D. x 34" 5/8 O-ring face	-
9	18-09604	1	Hose Assembly 1/2" I.D. x 31" 5/8 O-ring face	-
10	21-09519	1	Male Elbow 90° Steel 5/8 O-ring port	-
11	21-09521	1	Male Connector Steel 5/8 O-ring port	-
12	23-79607	1	Bracket, Duplex Oil Filter Head Mtg.	-
13	6151-55-5201	1	Duplex Oil Filter Assembly	-
14	07000-63032	2	O-ring	-
15	01436-01015	3	Capscrew, Hex Head Flanged M10 x 1.5 x 115 mm	-
16	01435-01035	3	Capscrew, Hex Head Flanged M10 x 1.5 x 35 mm	-
17	12-80514	4	Capscrew, Hex Head Flanged 1/2- 13 x 1- 1/2"	-
18	14-00502	6	Lock Nut, Plain Flanged	-
19	12-00512	2	Capscrew, Hex Head 1/2- 13 x 1"	-
20	15-00504	2	Flat Washer 1/2" SAE	-
21	21-50006	1	Male Elbow 900 Steel 3/8 O-ring port	-
22	27-39613	1	Tube Assembly, Turbo Oil Supply	-
23	RE52242	1	Plug	-
24	51M7042	1	O-ring	-
25	24-05701	2	Oil Filter	-
26	16-09501	2	O-ring	-
27	16-09502	4	O-ring	-
28	16-72010	3	O-ring	-

GROUP 1 - ENGINE

Oil Filter and Adapter

M- NL1066

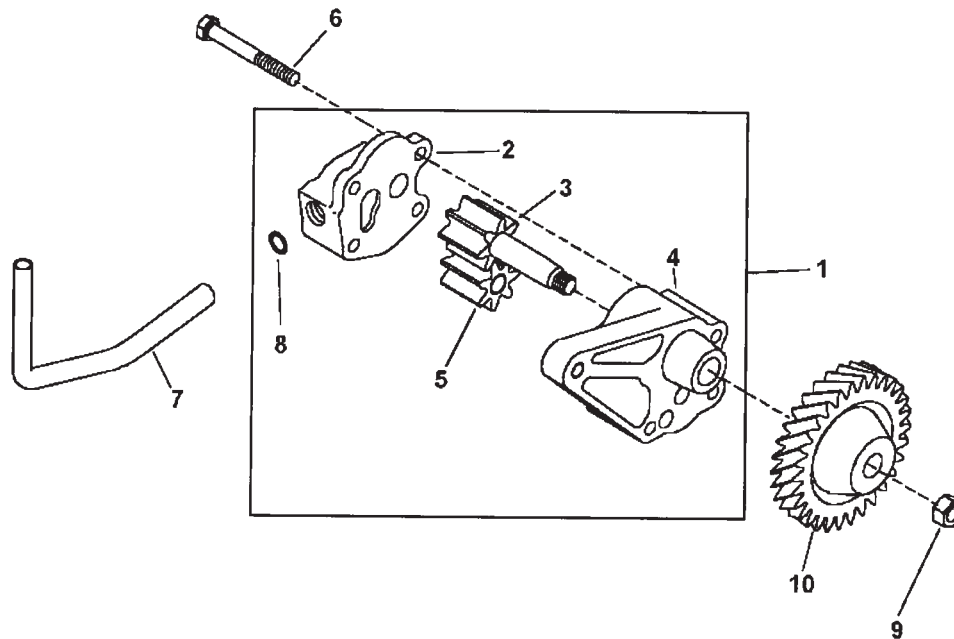


Reproduced by permission of Deere & Co., c2006. Deere & Company. All rights reserved.

RGP8909

KEY	PART NUMBER	QTY	DESCRIPTION	SERIAL NUMBER
1	RE504562	1	Filter Head (marked R502338, includes keys #2-3)	-
2	RE504543	1	Valve	-
3	R502513	1	Seal	-
4	R501484	1	Gasket	-
5	19M7802	5	Capscrew, M8 x 65 mm	-
6	RE67238	1	Capscrew, M8 x 20 mm	-
7	RE52242	**	Plug, M16 x 1.5 (includes key #8)	-
8	51M7042	**	O-ring	-
9	RE504836	1	Oil Filter	-
			**As required	

Oil Pump



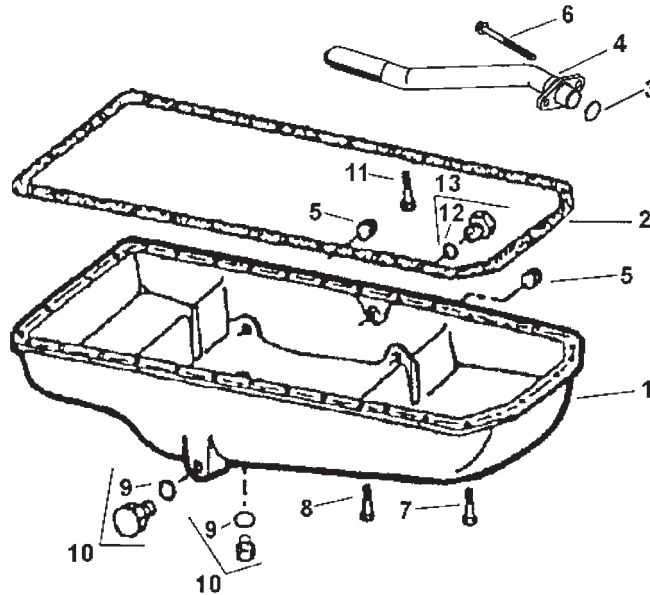
Reproduced by permission of Deere & Co., c2005. Deere & Company. All rights reserved.

RGP6223

KEY	PART NUMBER	QTY	DESCRIPTION	SERIAL NUMBER
1	RE502269	1	Oil Pump (marked R123179, includes keys 2-5, 8)	
2		1	Cover*	-
3		1	Gear*	-
4		1	Housing*	-
5		1	Gear*	-
6	19M8987	2	Capscrew, M8 x 65 mm	-
7	R121376	1	Tube	-
8	R97185	1	O-ring	-
9	14M7066	1	Nut, M12	-
10	R120638	1	Gear	-
			*Not available separately	

Oil Pan

L- M1066T, M99C2



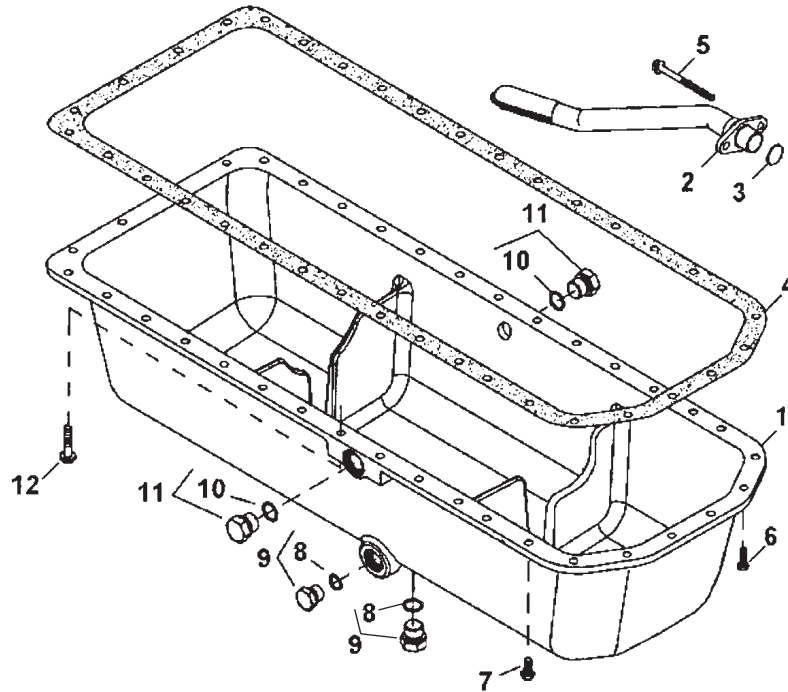
Reproduced by permission of Deere & Co., c2006. Deere & Company. All rights reserved.

RGP7610

KEY	PART NUMBER	QTY	DESCRIPTION	SERIAL NUMBER
1	R134898	1	Oil Pan (Aluminum)	-
2	R123354	1	Gasket	-
3	R61871	1	O-ring	-
4	RE71143	1	Oil Pump Pick-up	-
5	15H624	**	Pipe Plug, 1/2"	-
6	19M8986	2	Capscrew, M8 x 100 mm	-
7	12-80753	6	Capscrew, M8 x 30 mm	-
8	19M7867	26	Capscrew, M8 x 25 mm	-
9	16-09503	**	O-ring	-
10	RE46685	**	Plug	-
11	19M7799	4	Capscrew, M8 x 45 mm	-
12	16-09501	2	O-ring	-
13	RE46687	2	Plug	-
			**As required	

Oil Pan

L1066A- H, M1066A, A1, A2, A3, H and NL1066H1, H2, H3, H4



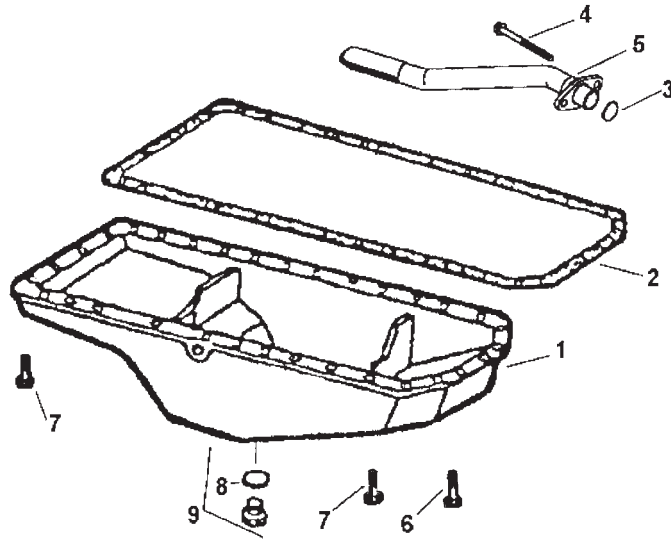
Reproduced by permission of Deere & Co., c2006. Deere & Company. All rights reserved.

RGP7328

KEY	PART NUMBER	QTY	DESCRIPTION	SERIAL NUMBER
1	RE509666	1	Oil Pan (Steel - O-ring seals used at ports, replaced by RE523256)	-
	RE523256	1	Oil Pan (Steel - bonded sealing washers used at ports) 32.5 litre	-
	36-79602	1	Oil Pan (Steel - Modified with extra sensor ports)	-
2	RE71143	1	Oil Pump Pick-up	-
3	R61871	1	O-ring	-
4	R521498	1	Gasket (formerly #R500349)	-
5	19M8986	2	Capscrew, M8 x 100 mm	-
6	19M8062	6	Capscrew, M8 x 20 mm	-
7	19M8163	30	Capscrew, M8 x 16 mm	-
8	16-09501	**	O-ring (use with pan RE509666)	-
	R519742	**	Sealing Washer, Bonded M22 (use with pans RE523256 & 36-79602)	-
9	RE46687	**	Drain Plug	-
	RE523251	1	Plug with sealing washer	-
10	16-09501	2	O-ring	-
11	RE46687	2	Drain Plug	-
12	19M7799	4	Capscrew, M8 x 45 mm	-
			**As required	

Oil Pan

NL1066T



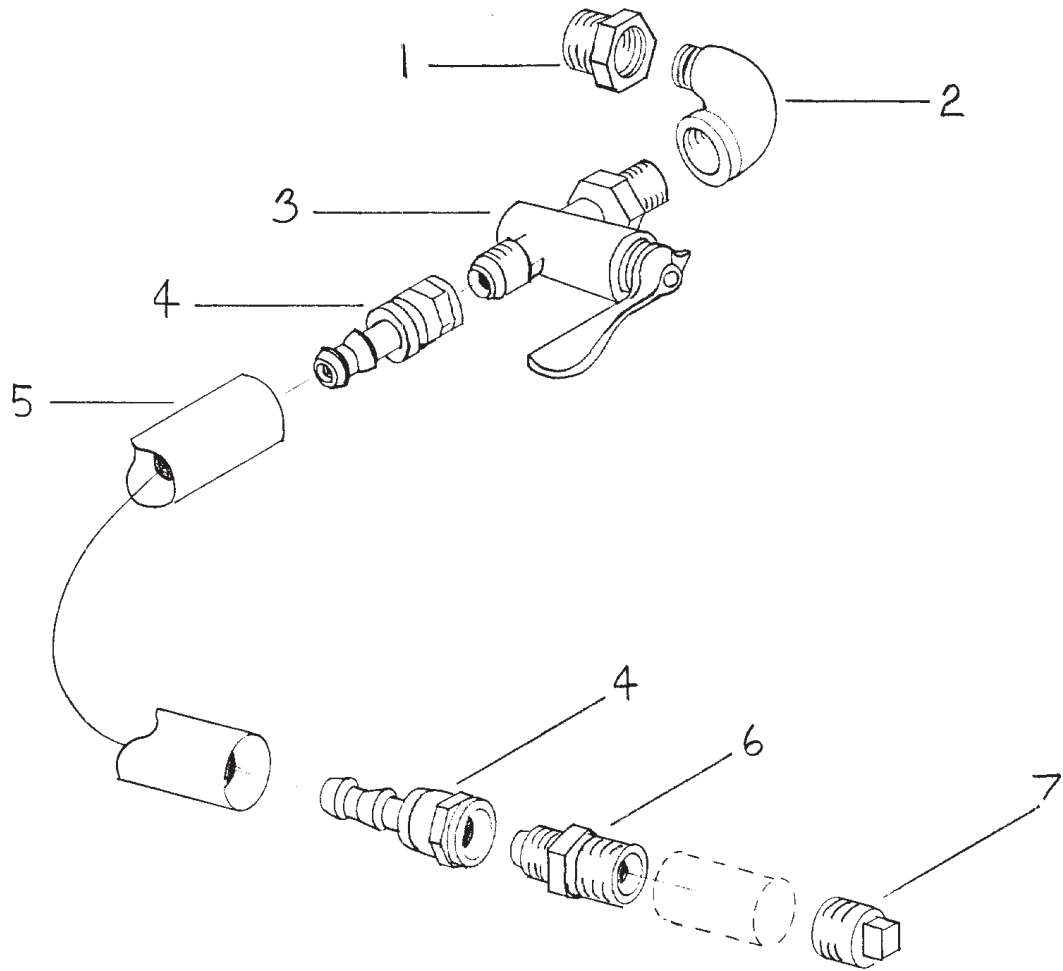
Reproduced by permission of Deere & Co., c2006. Deere & Company. All rights reserved.

RGP7618

KEY	PART NUMBER	QTY	DESCRIPTION	SERIAL NUMBER
1	RE500612	1	Oil Pan (Steel)	-
2	R500349	1	Gasket	-
3	R61871	1	O-ring	-
4	19M8986	2	Capscrew, M8 x 100 mm	-
5	RE71143	1	Oil Pump Intake	-
6	19M7866	6	Capscrew, M8 x 20 mm	-
7	19M8163	30	Capscrew, M8 x 16 mm	-
8	16-09501	1	O-ring	-
9	RE46687	1	Plug	-

Oil Drain

M1066T, M99C2

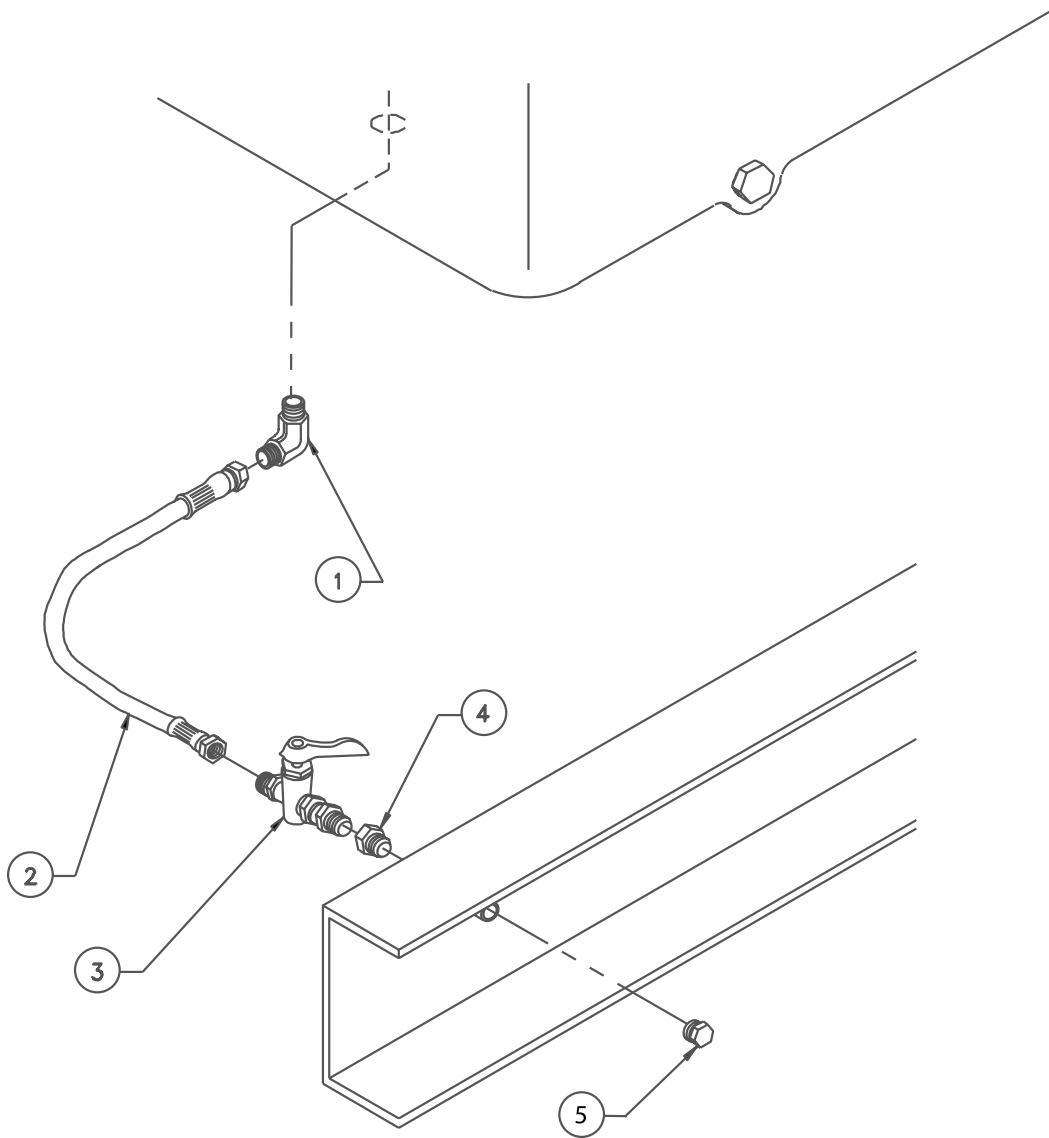


A-8425/ B-1563

KEY	PART NUMBER	QTY	DESCRIPTION	SERIAL NUMBER
1	21-79601	1	Female Swivel, Steel, M18 x 1.5 x 3/8-37T	-
2	21-00026	1	Female Elbow 90°, Steel, 3/8 NPT x 3/8-37T	-
3	36-71002	1	Shut off Valve	-
4	21-71042	2	Female Swivel, Brass, 1/2 Hose Barb x 1.2-45T	-
5	41-01032	18"	Hose, 1/2" I.D.	-
6	21-71040	1	Male Connector, Brass, 1/2 NPT x 1/2-45T	-
7	21-10005	1	Plug, Hex Head, Steel, 1/2 NPT	-
8	16-09503	1	O-ring (for adapter #1 - not shown)	-

Oil Drain Assembly

M1066A- H

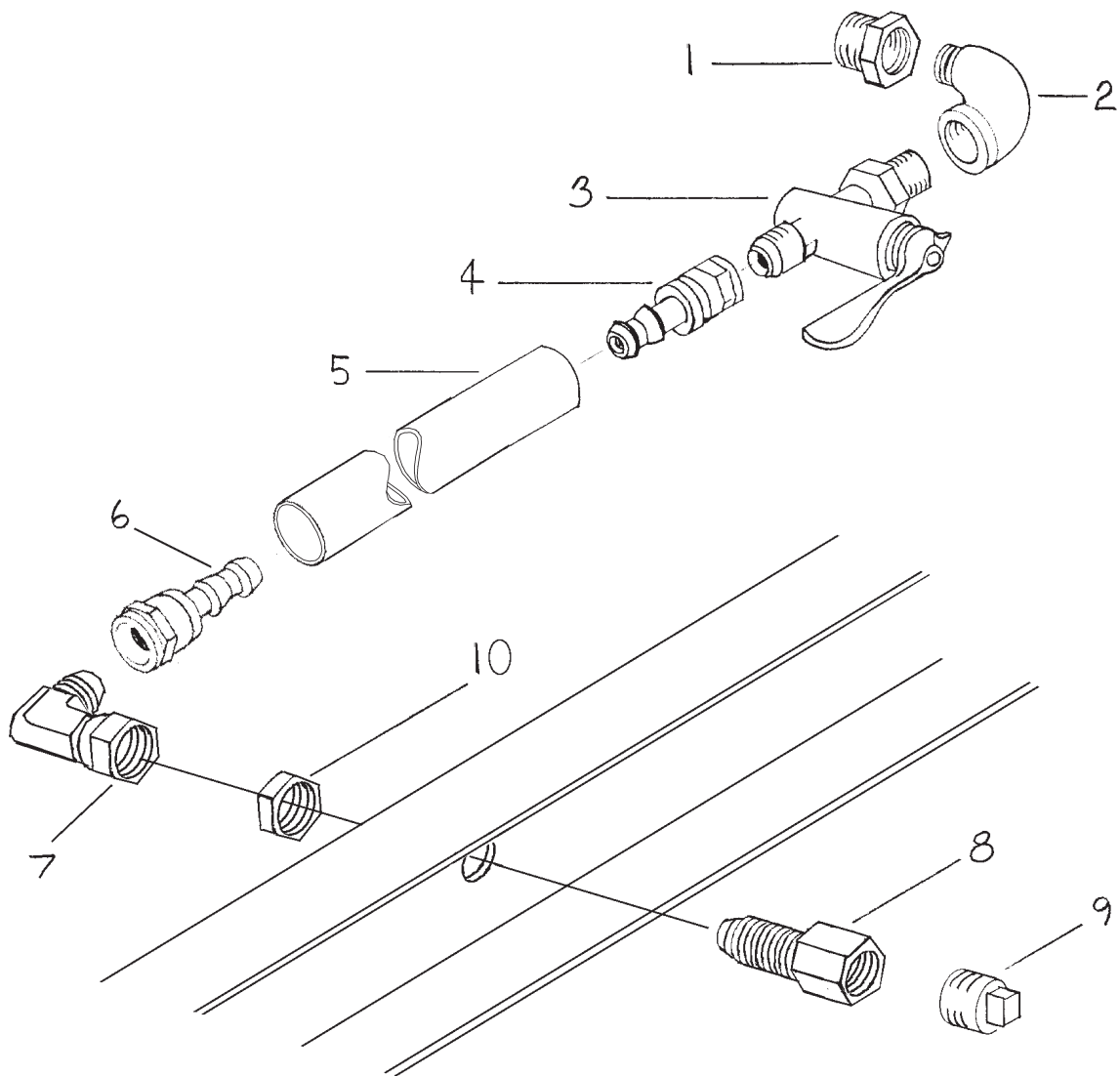


A-10827/ B-8683

KEY	PART NUMBER	QTY	DESCRIPTION	SERIAL NUMBER
1	21-60013	1	Male Elbow, 90° Steel M22 x 1.5 x 1/2- 37T	-
2	18-61603	1	Hose Assembly 1/2" I.D. x 25" - Early production	-
	18-75701	1	Hose Assembly 1/2" I.D. x 32" - Late production	-
3	36-71002	1	Shut-off Valve, Brass 3/8 NPT x 1/2- 4	-
4	21-09513	**	Bulkhead Union, Steel 3/8 NPT - Early production	-
5	21-31003	1	Plug, Hex Head Brass 3/8 NPT	-
			**As required	

Oil Drain

NL1066T

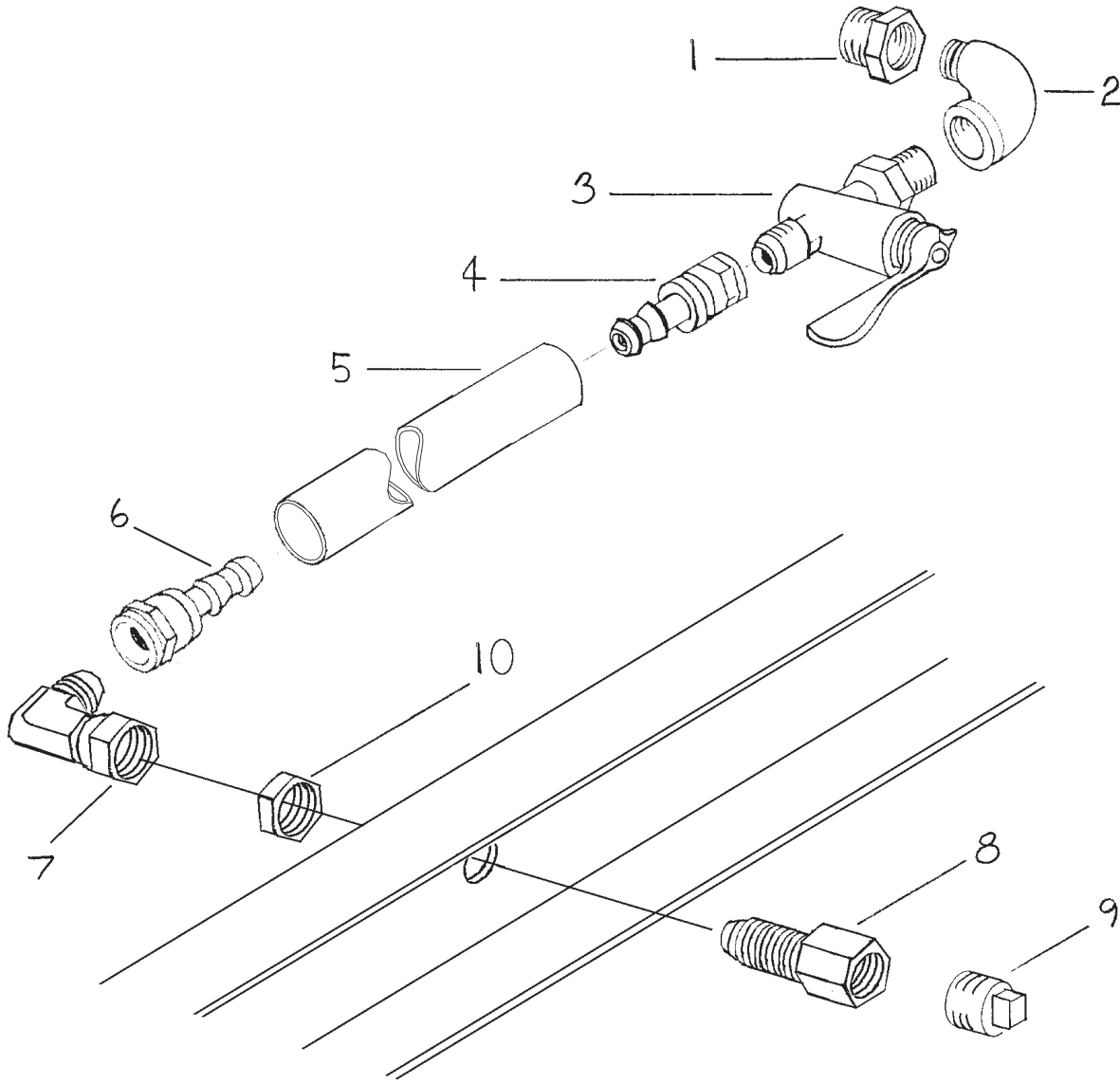


A-8458B/ A-11457

KEY	PART NUMBER	QTY	DESCRIPTION	SERIAL NUMBER
1	21-79601	1	Female Swivel, Steel M18 x 1.5 x 3/8-37T	-
2	21-00026	1	Female Elbow 90° Steel 3/8 NPT x 3/8-37T	-
3	36-71002	1	Shut-off Valve, Brass 3/8 NPT	-
4	21-71042	1	Female Swivel, Brass 1/2 HB x 1/2-45T	-
5	41-01032	15	Hose, 1/2" I.D.	-
6	21-70015	1	Female Swivel, Brass 1/2 HB x 1/2-37T	-
7	21-60017	1	Elbow 90° Swivel, Steel 1/2-37T	-
8	21-01017	1	Female Bulkhead Connector Steel 3/8 NPT x 1/2- 37T	-
9	21-31003	1	Plug, Hex Head Brass 3/8 NPT	-
10	14-01225	1	Nut, Bulkhead	-
11	16-09503	1	O-ring (for swivel #1 - not shown)	-

Oil Drain Assembly

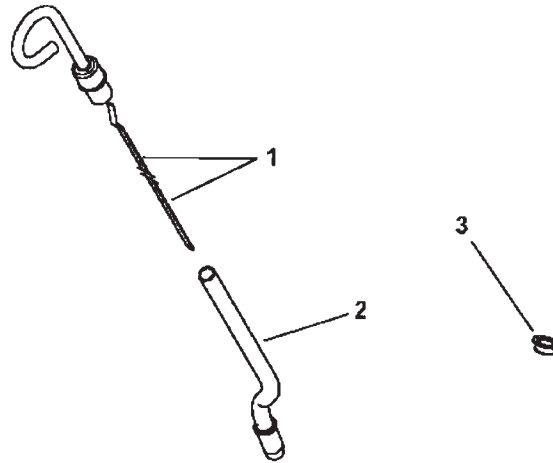
NL1066H1, H2, H3, H4



A-10662/ A-11457

KEY	PART NUMBER	QTY	DESCRIPTION	SERIAL NUMBER
1	21-60007	1	Female Adapter Steel, 1/2 NPT x M22 x 1.5	-
2	21-00055	1	Street Elbow 90° Steel, 1/2 NPT x 3/8 NPT	-
3	36-71002	1	Shut-off Valve, Brass 3/8 NPT x 1/2- 4	-
4	21-71042	1	Female Swivel, Brass 1/2 HB x 1/2-45T	-
5	41-01032	15	Hose, 1/2" I.D. Push-on	-
6	21-70015	1	Female Swivel, Brass 1/2 HB x 1/2-37T	-
7	21-60017	1	Elbow, 90° Swivel, Steel 1/2-37T	-
8	21-01017	1	Female Bulkhead Connection, Steel 3/8 NPT x 1/2	-
9	21-31003	1	Plug, Hex Head, Brass 3/8 NPT	-
10	14-01225	1	Nut, Bulkhead 3/4-16	-
11	16-09501	1	O-ring (for adapter #1 - not shown)	-

Oil Dipstick



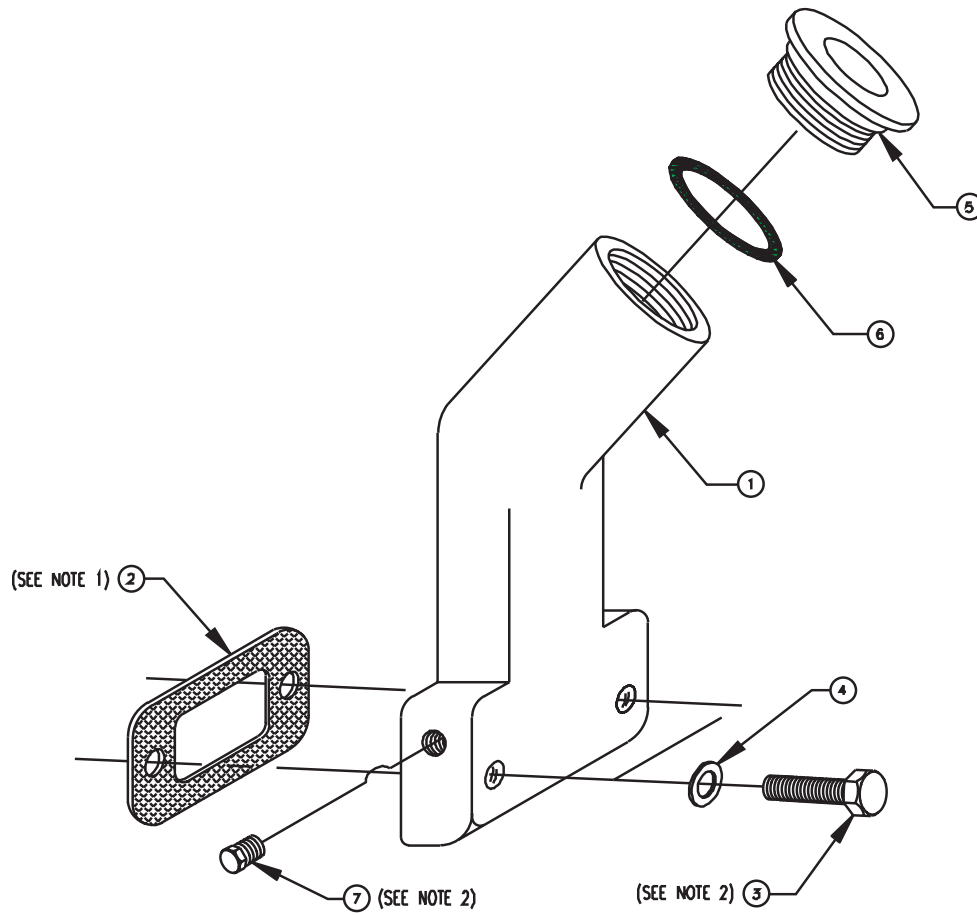
Reproduced by permission of Deere & Co., c2006. Deere & Company. All rights reserved.

RGP6190

KEY	PART NUMBER	QTY	DESCRIPTION	SERIAL NUMBER
1	RE69243	1	Dipstick	-
2	R502604	1	Dipstick Tube, Right Hand	-
	R130055	1	Dipstick Tube, Left Hand	-
3	R502725	**	Plug (for unused tube location)	-
			**As required	

Oil Fill Assembly

Right Side or Left Side



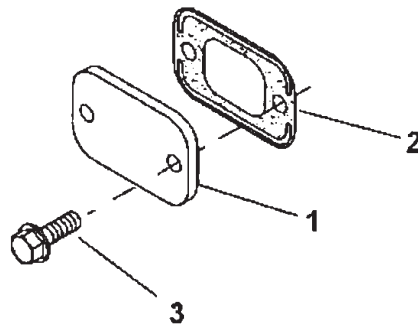
ASSEMBLY NOTES

1. INSTALL ITEM 2 WITH PREAPPLIED SEALANT TOWARDS ENGINE BLOCK.
2. INSTALL ITEMS 3 AND 7 WITH LOCTITE 567 (PST).

A-8347/ B-5846

KEY	PART NUMBER	QTY	DESCRIPTION	SERIAL NUMBER
1	36-01002	1	Oil Filler Neck	-
2	11-79501	1	Oil Filler Mounting Gasket	-
3	12-00714	2	Capscrew, Hex Head, M8 x 1.25 x 40 mm	-
4	15-00701	2	Flat Washer, M8	-
5	198436010	1	Oil Fill Cap	-
6	052300400	1	O-ring	-
7	21-00012	**	Plug, Hex Head, Brass, 1/8 NPT	-
			**As required	

Oil Fill Cover



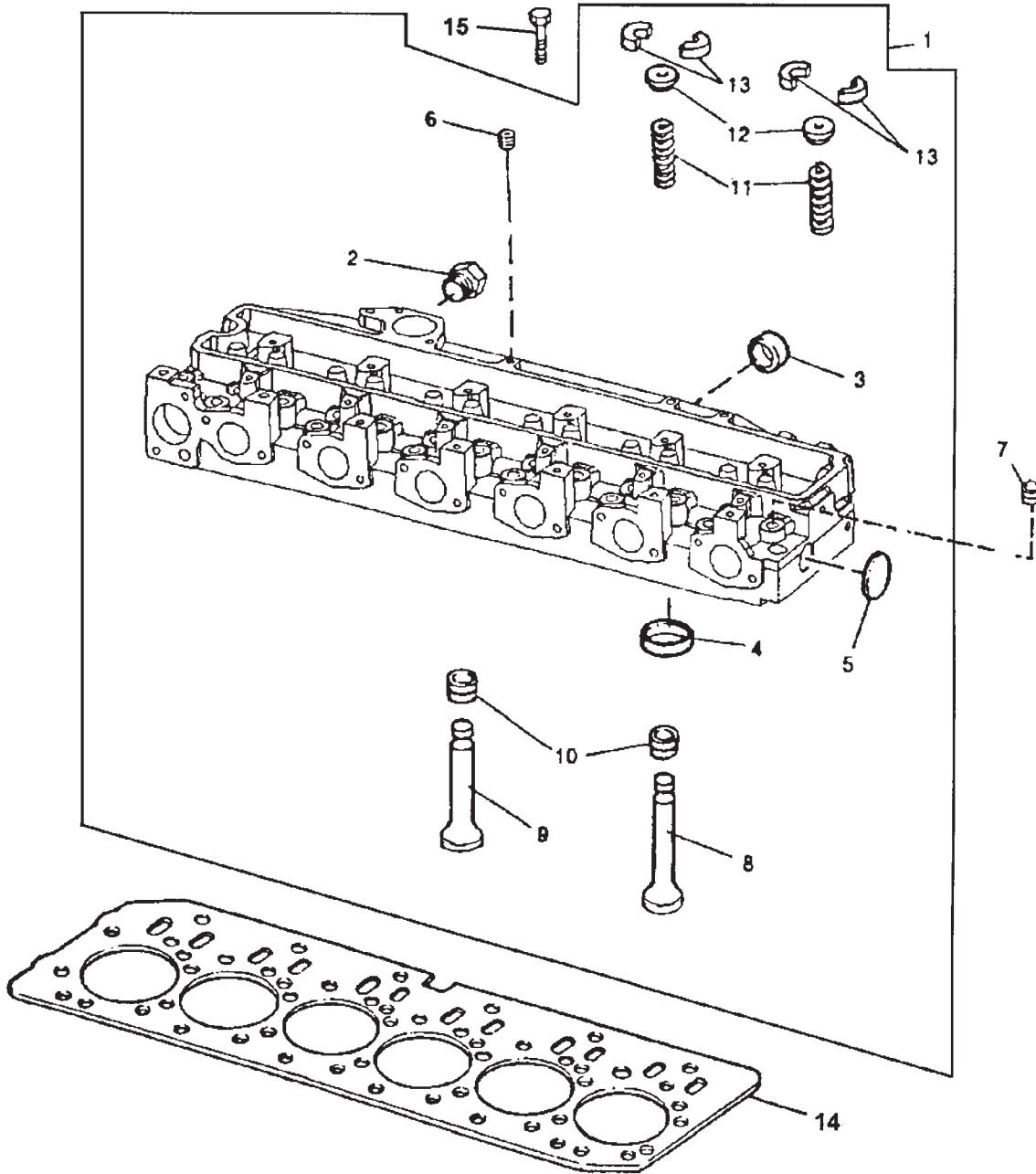
Reproduced by permission of Deere & Co., c2006. Deere & Company. All rights reserved.

RGP6005

KEY	PART NUMBER	QTY	DESCRIPTION	SERIAL NUMBER
1	R116296	2	Cover	-
2	R136495	3	Gasket	-
3	RE67238	4	Capscrew, M8 x 20 mm	-

Cylinder Head, Head Gasket, & Valves

L- M- NL1066T, M99C2, L1066A, M1066A1, A2, A3, and NL1066H1, H2, H3



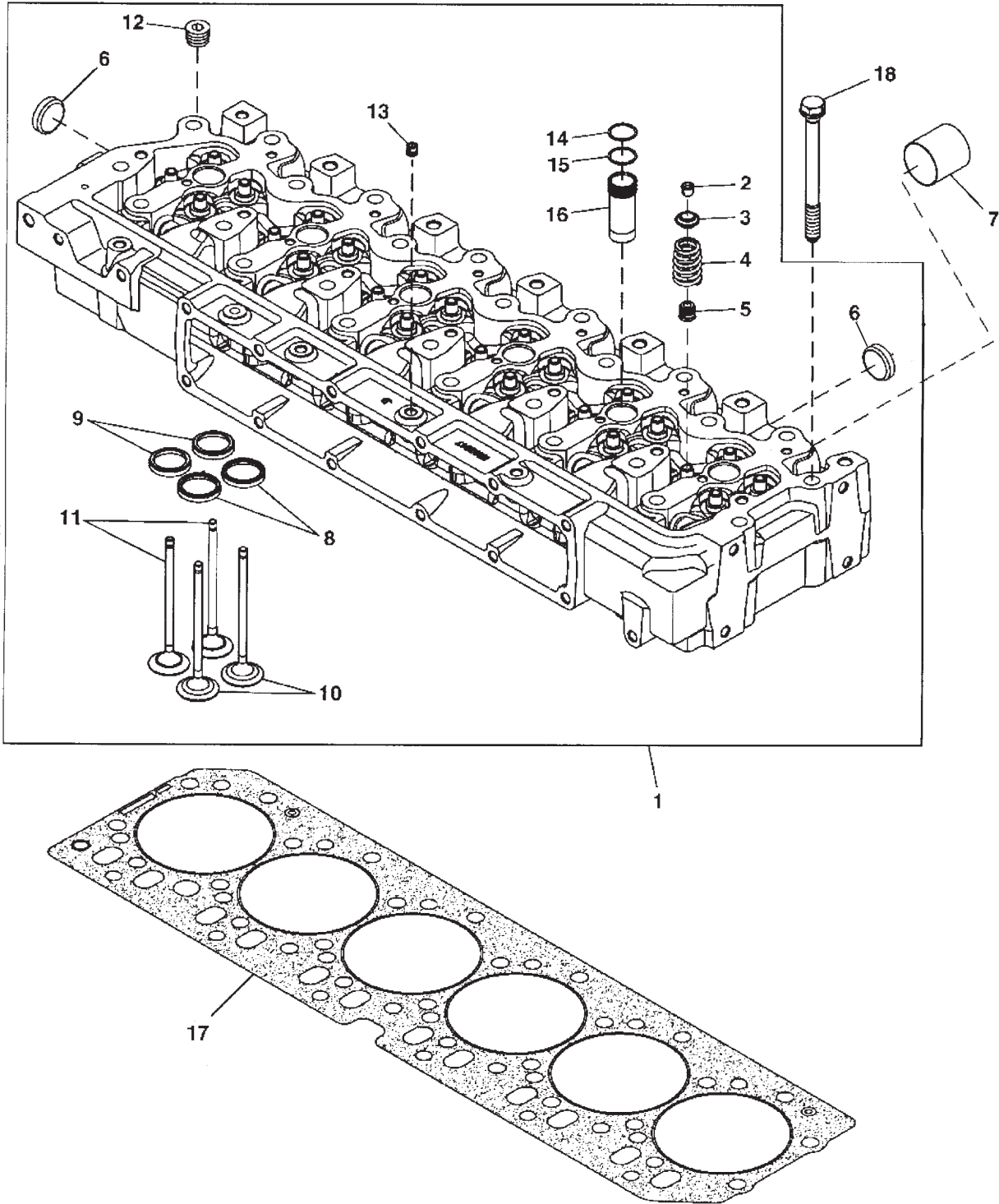
Cylinder Head, Head Gasket, & Valves

L- M- NL1066T, M99C2, L1066A, M1066A1, A2, A3, and NL1066H1, H2, H3

KEY	PART NUMBER	QTY	DESCRIPTION	SERIAL NUMBER
1	RE57489	1	Cylinder Head Assembly (marked R121608, includes keys 2-6 & 8-13)	-
2	T58477	1	Fitting	-
3	R43409	3	Plug	-
4	R98063	6	Valve Seat Insert, Standard Intake Valve	-
	R98335	6	Valve Seat Insert, Oversize Intake Valve	-
	R85687	6	Valve Seat Insert, Standard Exhaust Valve	-
	R93910	6	Valve Seat Insert, Oversize Exhaust Valve	-
5	CD16284	1	Plug	-
6	R104592	1	Pipe Plug	-
7	15H624	1	Pipe Plug, 1/2"	-
8	R98062	6	Intake Valve, Standard	-
	R97490	**	Intake Valve, .015" Oversize	-
	R97491	**	Intake Valve, .030" Oversize	-
9	R90692	6	Exhaust Valve, Standard	-
	R97492	**	Exhaust Valve, .015" Oversize	-
	R97493	**	Exhaust Valve, .030" Oversize	-
10	RE31617	12	Seal	-
11	R26125	12	Spring	-
12	RE60005	12	Rotator	-
13	R91889	24	Retainer	-
14	R116516	1	Engine Cylinder Head Gasket	-
15	R85363	26	Capscrew	-
			**As required	

Cylinder Head, Head Gasket, & Valves

L- M1066H, NL1066H4



Cylinder Head, Head Gasket, & Valves

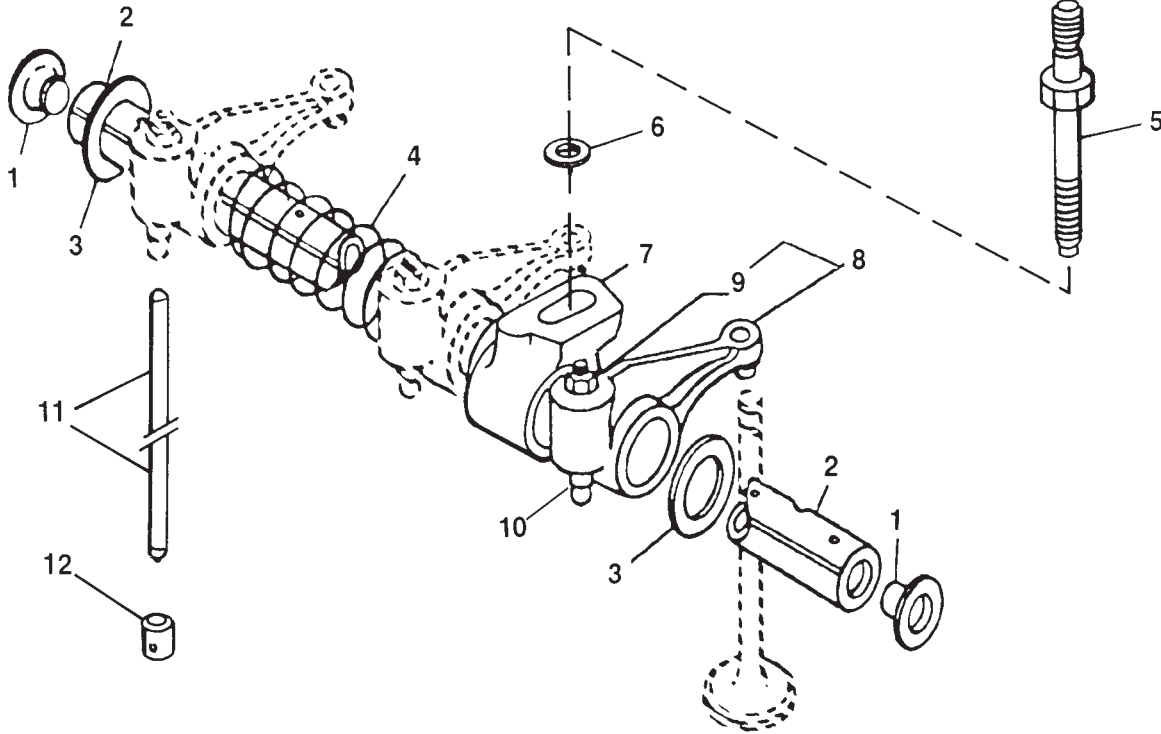
L- M1066H, NL1066H4

KEY	PART NUMBER	QTY	DESCRIPTION	SERIAL NUMBER
1	RE507777	1	Cylinder Head Assembly (includes keys 2-6 & 8-16)	-
2	R502371	48	Retainer	-
3	R502367	24	Cap	-
4	R503906	24	Compression Spring	-
5	RE519115	24	Seal	-
6	CD16284	5	Plug	-
7	R502512	6	Sleeve*	-
8	RE518082	12	Valve Seat Insert, Intake	-
9	RE518083	12	Valve Seat Insert, Exhaust	-
10	R502369	12	Intake Valve	-
11	R502370	12	Exhaust Valve	-
12	15H624	1	Pipe Plug, 1/2"	-
13	R104592	1	Pipe Plug	-
14	RE530609	6	O-ring (marked R121608)	-
15	RE528349	6	O-ring (marked R121608)	-
16	RE517435	6	Sleeve (includes #14-15)	-
17	R116516	1	Head Gasket	-
18	R502511	26	Screw	-
			* Now Supplied Separately	

GROUP 1 - ENGINE

Rocker Arm Assembly & Push Rods

L- M- NL1066T, M99C2, L1066A, M1066A1, A2, A3, and NL1066H1, H2, H3



Reproduced by permission of Deere & Co., c2006. Deere & Company. All rights reserved.

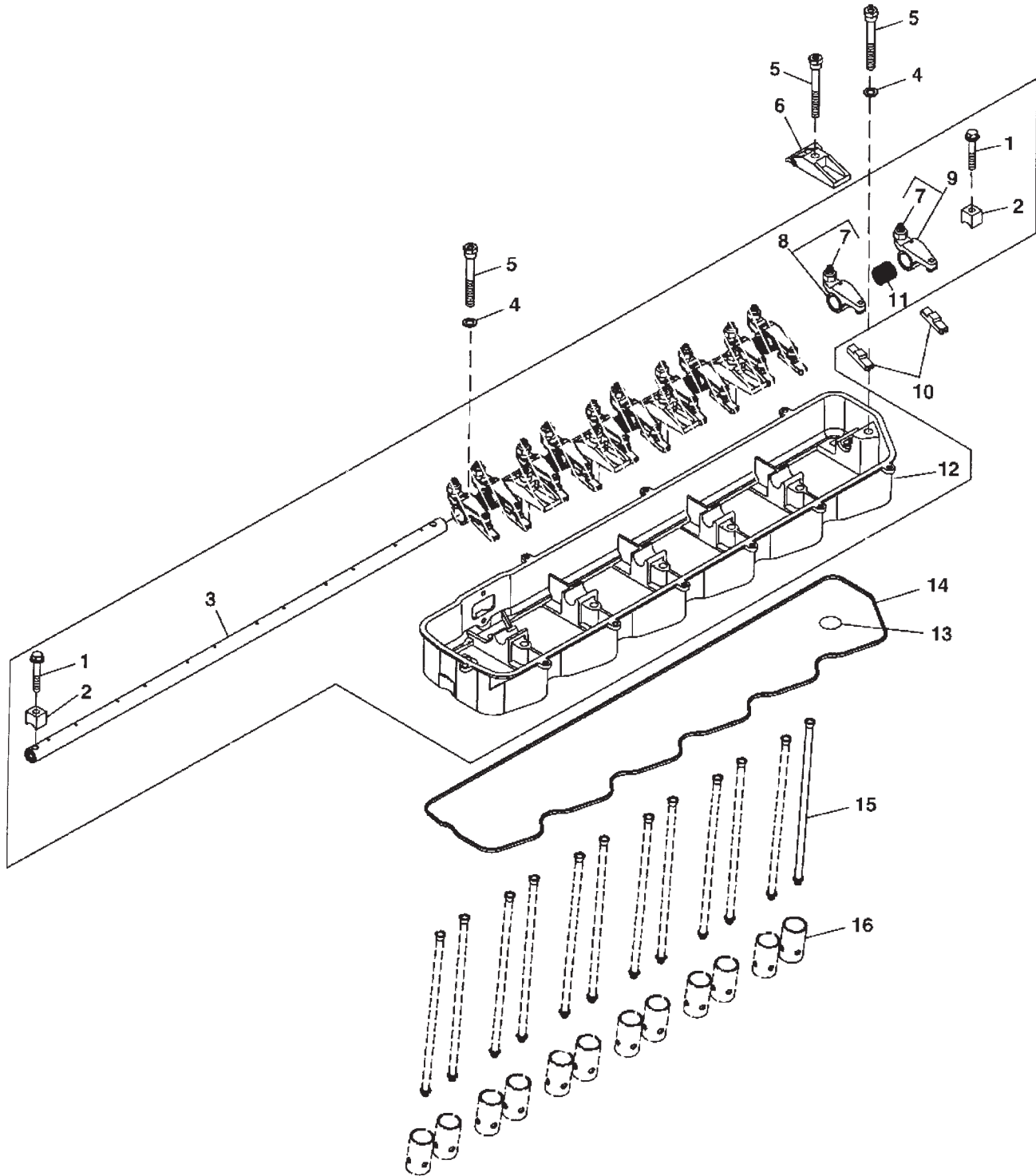
TP49263

KEY	PART NUMBER	QTY	DESCRIPTION	SERIAL NUMBER
1	R54565	2	Plug	-
2	R123514	1	Rocker Arm Shaft	-
3	T20316	2	Washer	-
4	T20314	3	Spring	-
5	R123271	6	Stud	-
6	R42729	6	Washer	-
7	R123161	6	Support	-
8	RE508317	12	Rocker Arm (includes keys 9 & 10)	-
9	14M7148	1	Nut, M10	-
10	R133630	12	Adjusting Stud	-
11	R107731	12	Push Rod	-
12	R123565	12	Cam Follower	-

GROUP 1 - ENGINE

Rocker Shaft Assembly and Push Rods

L- M1066H and NL1066H4



Rocker Shaft Assembly and Push Rods

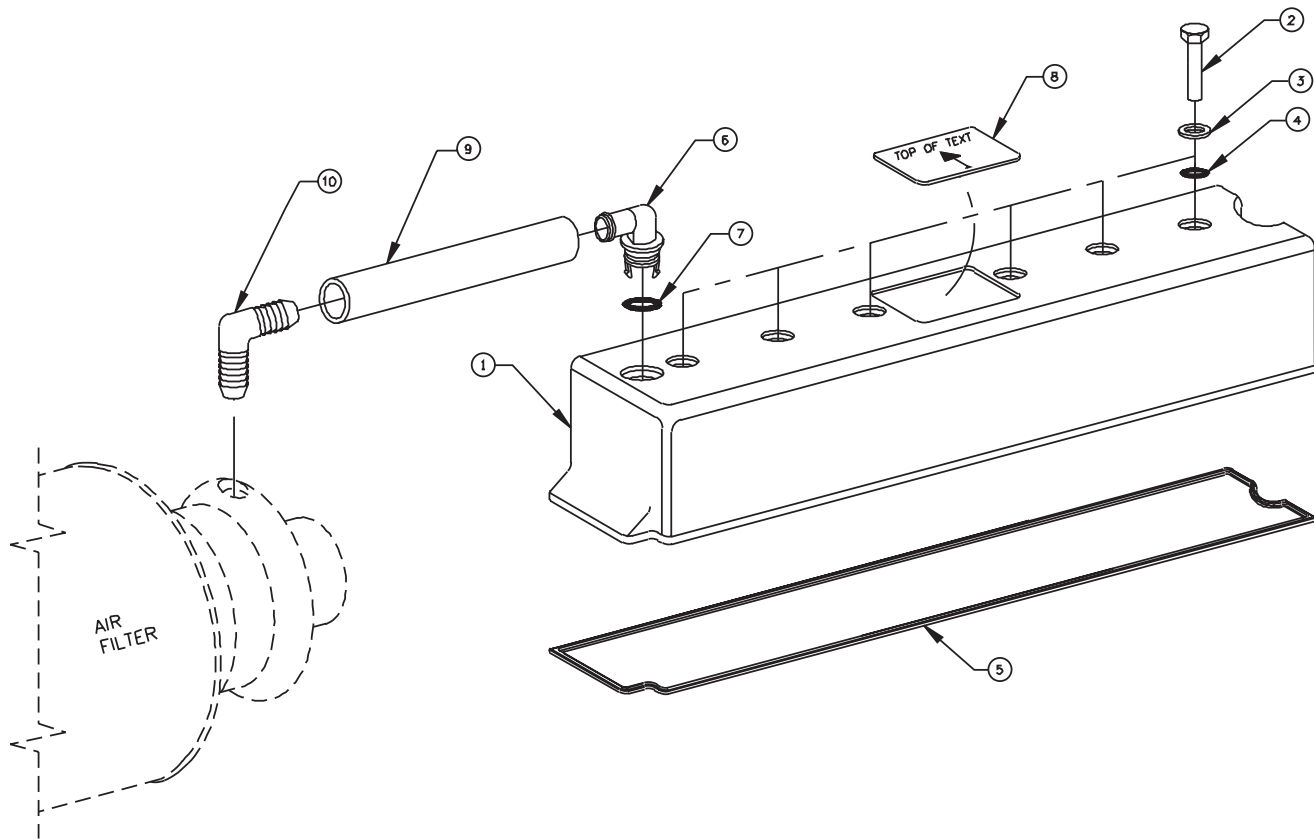
L- M1066H and NL1066H4

KEY	PART NUMBER	QTY	DESCRIPTION	SERIAL NUMBER
••	RE519895	1	Rocker Arm Shaft Assembly (includes keys 1-3, 7-9, 11-12)	-
1	19M9170	2	Capscrew, M8 x 50 mm	-
2	R504631	2	Cap	-
3	RE516491	1	Rocker Arm Shaft	-
4	24M7096	**	Washer	-
5	R519292	7	Bolt (Tapped M6 x 1.0, formerly #R504636)*	-
	R521458	7	Bolt (Tapped M8 x 1.25)*	-
6	R516140	5	Strap	-
7	14M7148	1	Nut, M10	-
8	RE523023	6	Rocker Arm, Intake (replaces RE504209)	-
9	RE504210	6	Rocker Arm, Exhaust	-
10	R502341	12	Lever	-
11	R505543	6	Spring	-
12	R504629	1	Support	-
	R519739	1	Support (replaces R504629)	-
13	R47154	1	O-ring (use with R504629)	-
	R72328	1	O-ring (use with R519739)	-
14	R504882	1	Gasket	-
15	R504209	12	Push Rod	-
16	R123565	12	Follower	-
			*See Rocker Arm Cover assembly detail	
			**As required	

GROUP 1 - ENGINE

Rocker Arm Cover

L-M1066T, M99C2, L1066A, & M1066A1, A2, A3

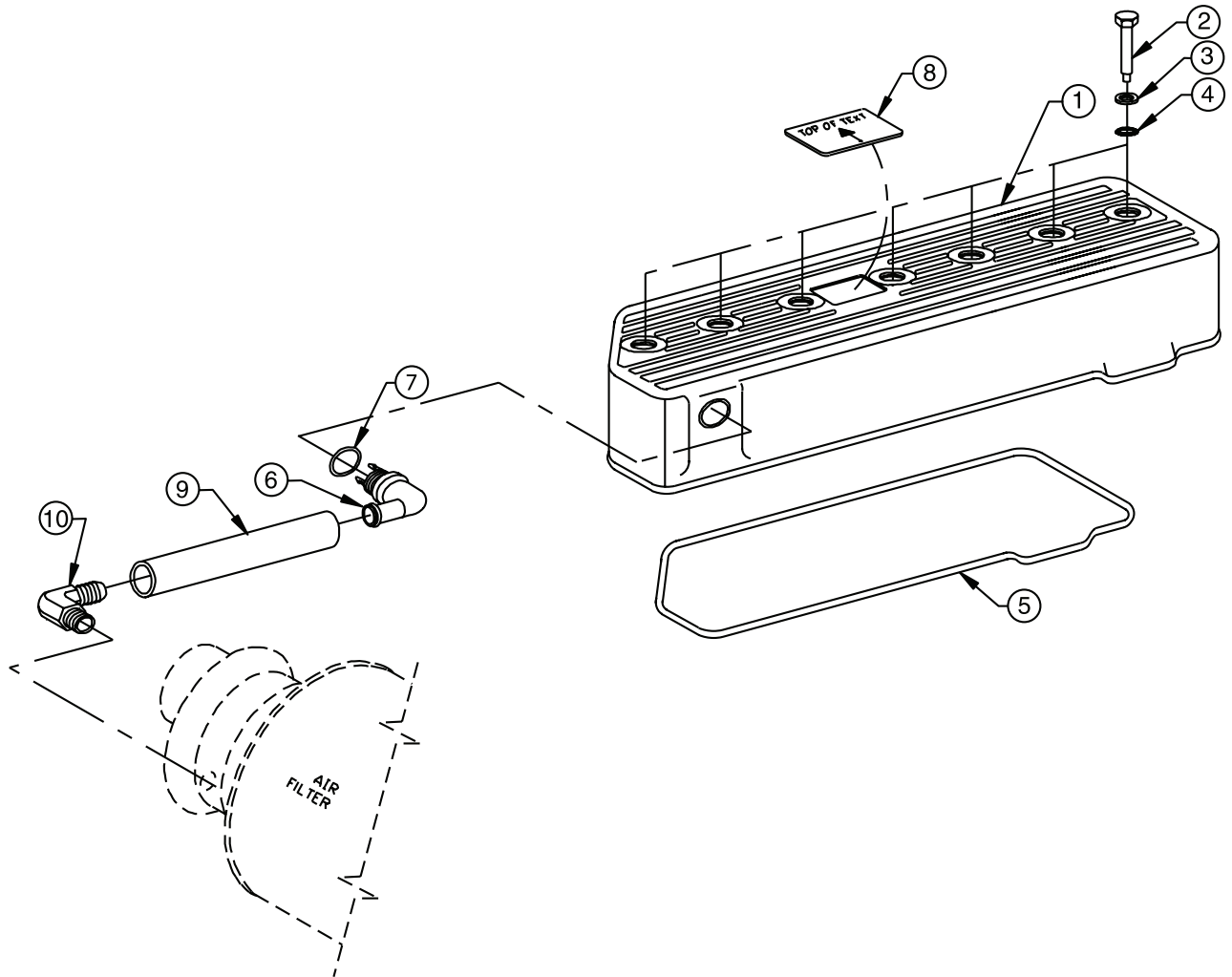


A-8282/ C-4163

KEY	PART NUMBER	QTY	DESCRIPTION	SERIAL NUMBER
1	10-09602	1	Rocker Arm Cover	-
2	14-71002	6	Hex Nut, M8 x 1.25 x 53.5 mm, Special	-
3	15-09007	6	Flat Washer, M12 S/S	-
4	16-15005	6	O-ring	-
5	R123543	1	Gasket, Rocker Arm Cover Mounting	-
6	R120467	1	Elbow, Vent System Connection	-
7	16-01000	1	O-ring	-
8	00-09504	1	Label, "Powered by Luggger"	-
	00-09507	1	Label, "Northern Lights"	-
9	41-00004	**	Hose, 3/4" I.D. (sold per inch)	-
10	21-00025	**	Vent Elbow	-
			**As required	

Rocker Arm Cover

L-M1066H



A-10156/ C-5747

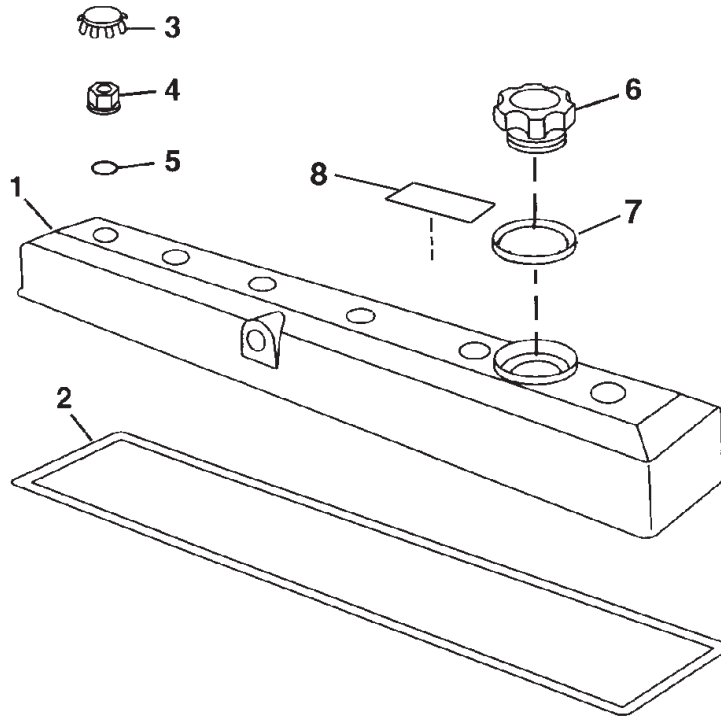
KEY	PART NUMBER	QTY	DESCRIPTION	SERIAL NUMBER
1	10-09604	1	Rocker Arm Cover	-
2	12-99501	7	Capscrew, Hex Head Special M6 x 1.0 x 78.8 mm S/S*	-
	12-99502	7	Capscrew, Hex Head Special M8 x 1.25 x 78.8 mm S/S*	-
3	15-09007	7	Flat Washer, M12 S/S	-
4	16-15005	7	O-ring	-
5	R504882	1	Gasket, Rocker Arm Cover Mounting	-
6	R120467	1	Elbow, Vent System Connection	-
7	16-01000	1	O-ring	-
8	00-09507	1	Label, "Northern Lights"	-
9	41-00004	**	Hose, 3/4" I.D. (sold per inch - see Air Filter details)	-
10	21-00025	1	Vent Elbow, 3/4" Hose Barb	-

*Verify thread per application.

GROUP 1 - ENGINE

Rocker Arm Cover

NL1066T, H1, H2, H3



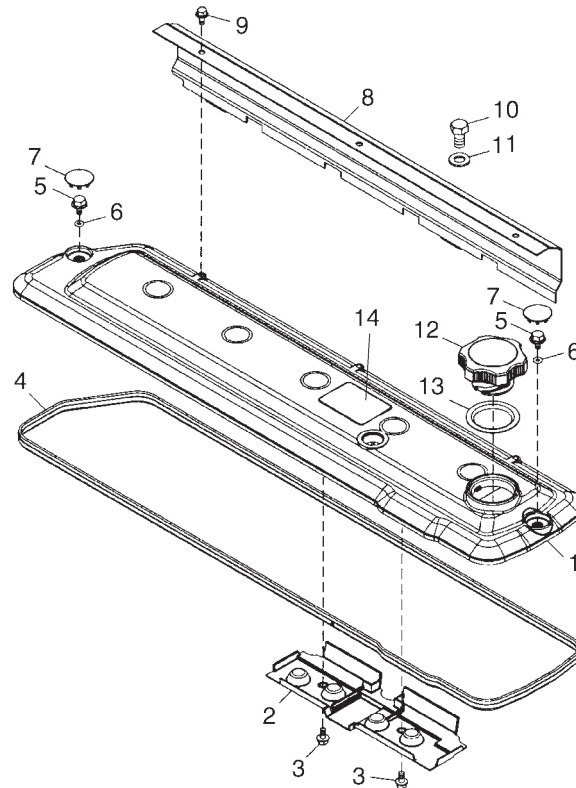
Reproduced by permission of Deere & Co., c2006. Deere & Company. All rights reserved.

RGP6461/ TP55085

KEY	PART NUMBER	QTY	DESCRIPTION	SERIAL NUMBER
1	RE502987	1	Rocker Arm Cover	-
2	R123543	1	Gasket	-
3	H23125	6	Plug	-
4	R123574	6	Nut	-
5	R123575	6	O-ring	-
6	RE500005	1	Filler Cap (includes key #7)	-
7	R502902	1	Packing	-
8	00-09508	1	Nameplate "Northern Lights"	-

Rocker Arm Cover

NL1066H4



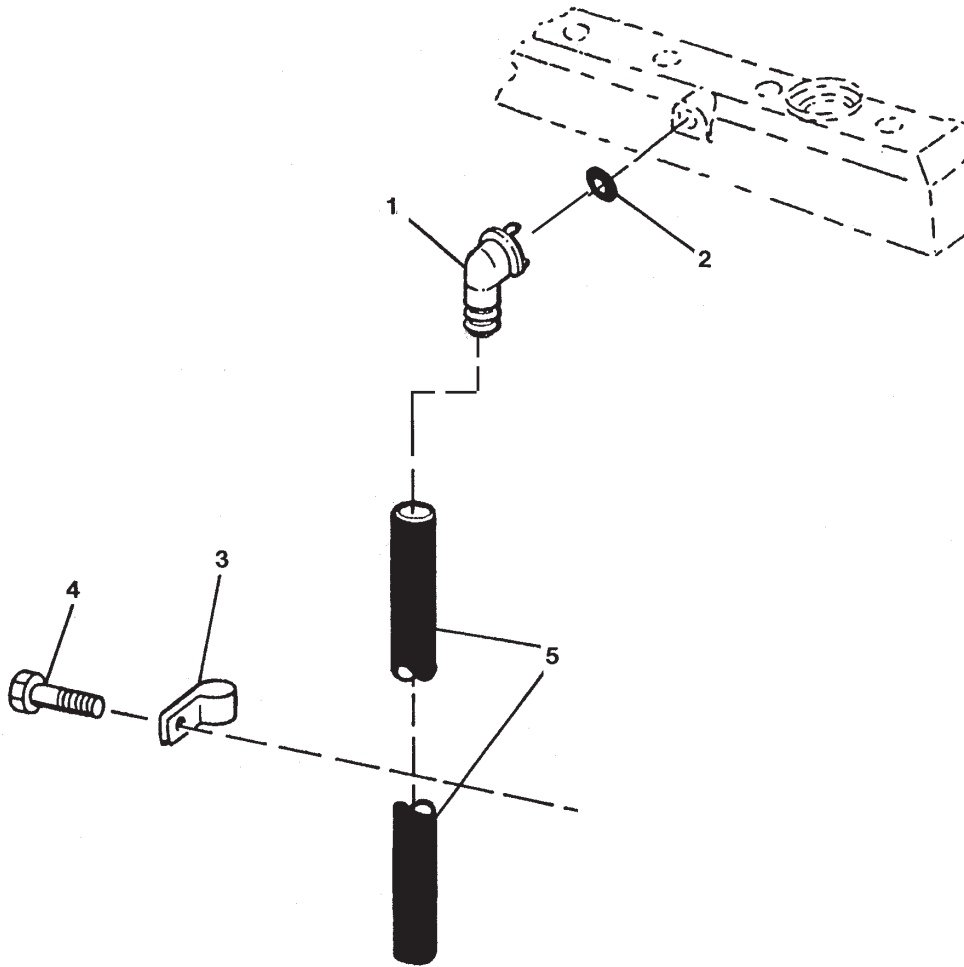
Reproduced by permission of Deere & Co., c2006. Deere & Company. All rights reserved.

RGP8959

KEY	PART NUMBER	QTY	DESCRIPTION	SERIAL NUMBER
1	RE515428	1	Valve Cover	-
2	R515555	1	Deflector	-
3	19M7775	2	Screw	-
4	R504882	1	O-ring	-
5	R516181	7	Screw	-
6	R516158	7	O-ring	-
7	H23125	7	Plug	-
8	R516174	1	Heat Shield	-
9	19M7774	3	Capscrew, M6 x 12 mm	-
10	19M8017	2	Capscrew, M12 x 20 mm	-
11	24M7047	2	Washer	-
12	RE500005	1	Filler Cap	-
13	R502902	1	Packing	-
14	00-09508	1	Nameplate "Northern Lights"	-

Ventilating System

NL1066T, H1, H2, H3, H4



Reproduced by permission of Deere & Co., c2006. Deere & Company. All rights reserved.

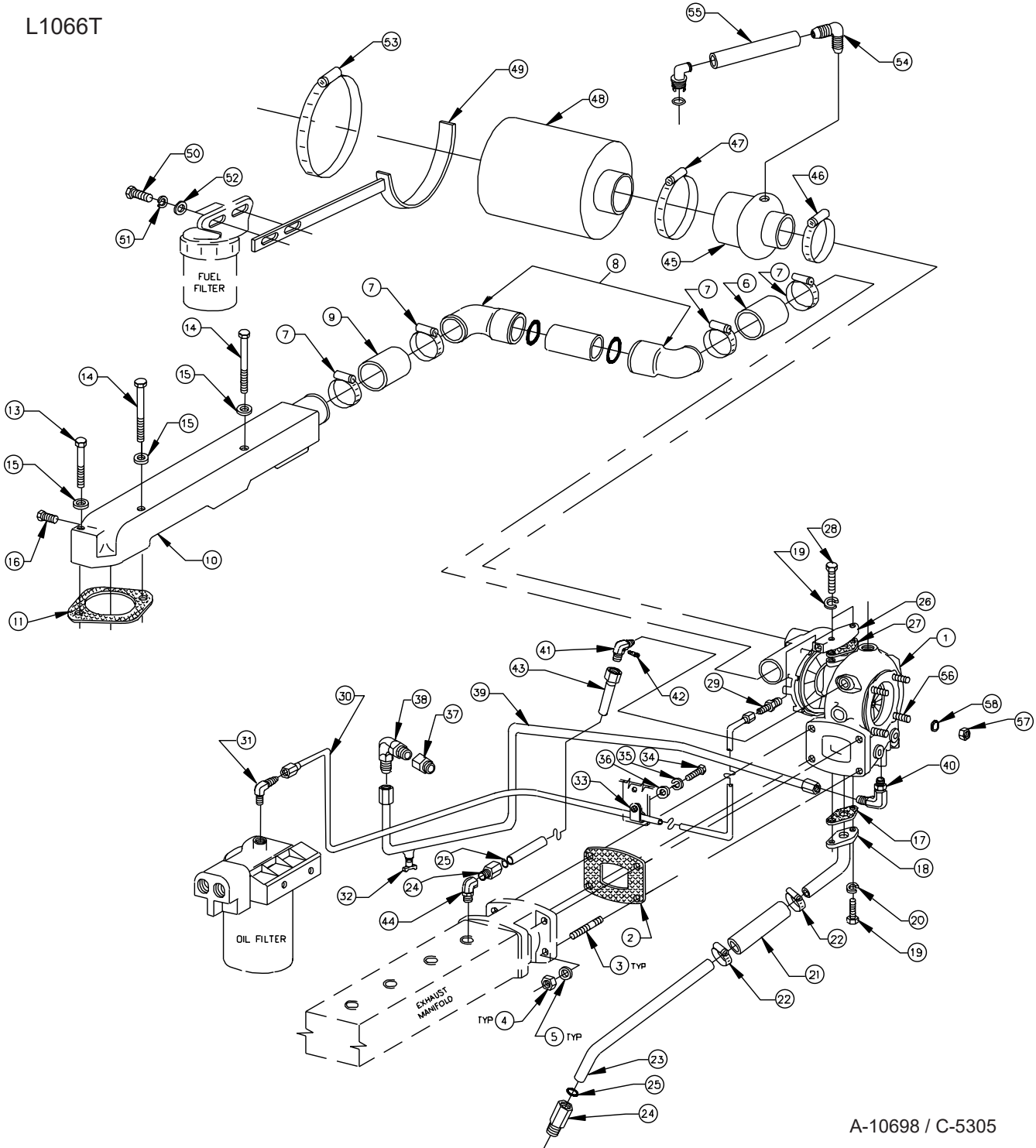
TP61896

KEY	PART NUMBER	QTY	DESCRIPTION	SERIAL NUMBER
1	R120467	1	Elbow Fitting, 90°	-
2	R72328	1	O-ring	-
3	R72659	1	Clamp*	-
4	19M7866	1	Screw, M8 x 20	-
5	41-00004	53"	Hose, 3/4" I.D.	-

GROUP 2 - INTAKE AND EXHAUST SYSTEMS

Intake, Turbocharger, and Air Filter Assembly

L1066T



A-10698 / C-5305

KEY	PART NUMBER	QTY	DESCRIPTION	SERIAL NUMBER
1	30-31627-1	1	Turbocharger - K27	-
2	11-31615	1	Gasket	-
3	13-00814	4	Stud, M10 x 1.5 x 30 mm (42 mm LOA)	-
4	14-00817	4	Hex Nut, M10 x 1.5 S/S	-
5	15-00804	4	Wave Washer, M10	-
6	18-21016	1	Hose, 2" I.D. x 1-3/4" 3 Ply Silicone	-
7	19-01028	4	Hose Clamp #28	-

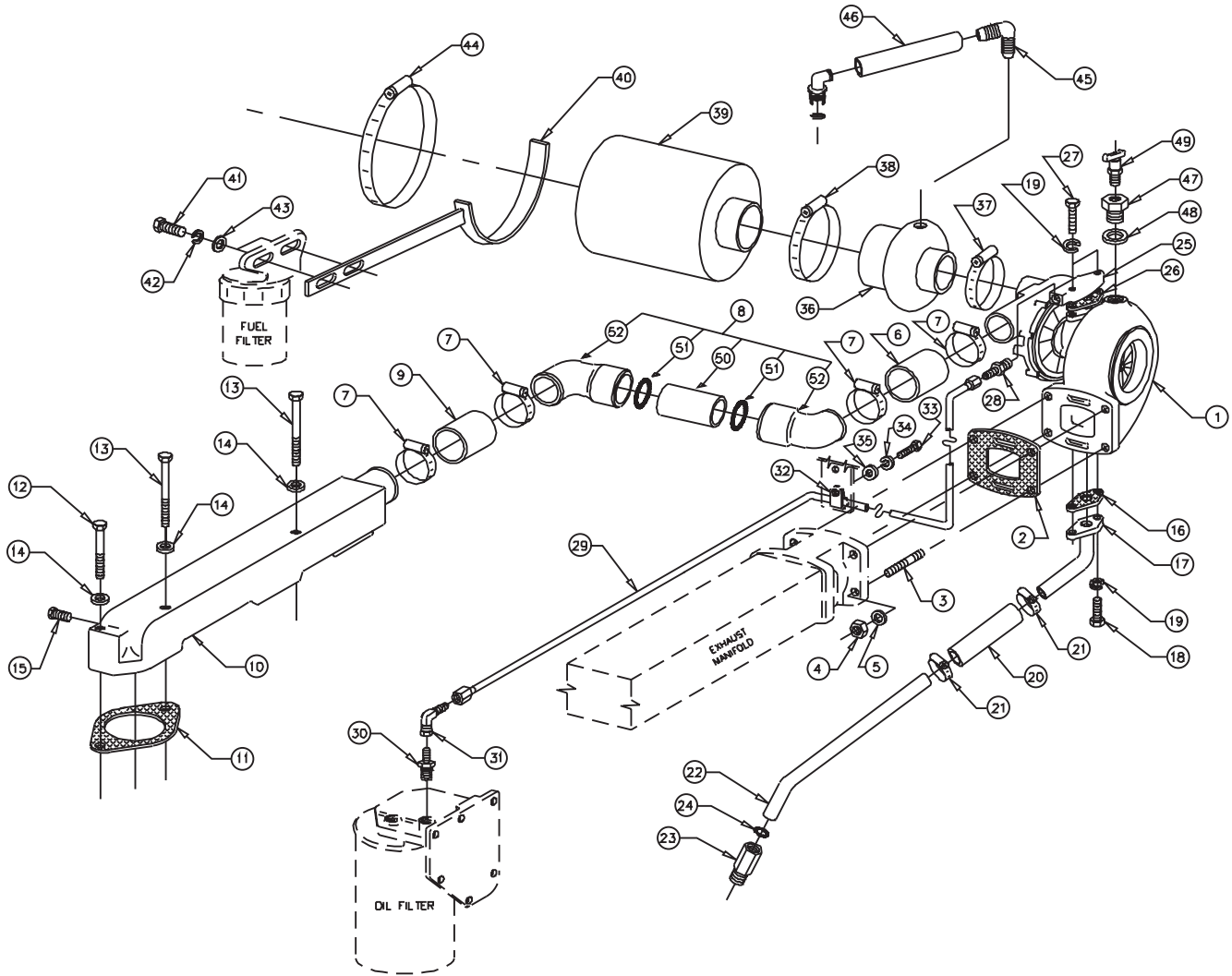
Intake, Turbocharger, and Air Filter Assembly

L1066T

KEY	PART NUMBER	QTY	DESCRIPTION	SERIAL NUMBER
8	27-21010	1	Intake Tube Assembly (includes keys 60-62)	-
9	18-21014	1	Hose, 2" I.D. x 2-3/8"	-
10	10-21607	1	Intake Manifold	-
11	11-21011	1	Gasket	-
13	12-00071	1	Capscrew, Hex Head M10 x 1.5 x 70 mm	-
14	12-00051	2	Capscrew, Hex Head M10 x 1.5 x 90 mm	-
15	15-00804	3	Wave Washer M10	-
16	21-00012	1	Plug, Hex Head Brass 1/8 NPT	-
17	11-31031	1	Gasket	-
18	27-31602	1	Pipe, Turbo Oil Return (Upper)	-
19	12-00711	2	Capscrew, Hex Head M8 x 1.25 x 20 mm	-
20	15-00702	4	Lock Washer, Helical M8	-
21	18-11010	1	Hose 3/4" ID x 4-1/4" 3 Ply Silicon	-
22	19-01012	2	Hose Clamp #12	-
23	27-31402	1	Pipe, Turbo Oil Return (Lower)	-
24	R41285	2	Adapter	-
25	16-01000	2	O-ring	-
26	R43928	1	Adapter	-
27	11-31012	1	Gasket	-
28	12-00714	2	Capscrew, Hex Head M8 x 1.25 x 40 mm	-
29	21-52800	1	Male Connector, Steel 3/8 NPT x 3/8- 37T	-
30	27-39603	1	Tube Assembly, Turbo Oil Supply (supercedes 27-39602)	-
31	21-09501	1	Male Elbow 90° Steel M16 x 1.5 x 3/8- 37T	-
32	21-10002	1	Drain Cock, Brass 1/4 NPT	-
33	19-72252	1	Adelle Clamp 3/8" ID x 3/8" Stud	-
34	12-00751	1	Capscrew, Hex Head M8 x 1.25 x 16 mm	-
35	15-00702	1	Lock Washer, Helical M8	-
36	15-00701	1	Flat Washer M8	-
37	21-09512	1	Female Adapter, Steel 3/4 O-ring Port x 1-1/4 O-ring Port	-
38	21-00032	1	Male Elbow 90° Steel 3/4 O-ring Port x 3/4- 37T	-
39	27-19605	1	Tube Assembly, Turbo Coolant Supply	-
40	21-14801	1	Male Elbow 90° Steel M22 x 1.5 x 3/4- 37T	-
41	21-14817	1	Male Elbow 90° Steel M22 x 1.5 x 3/4- 37T	-
42	21-10001	1	Drain Cock, Brass 1/8 NPT	-
43	27-39601	1	Tube Assembly, Turbo Coolant Return	-
44	21-03459	1	Female Elbow 90° Steel	-
45	18-21003	1	Hump Hose 4" x 2-3/4" x 4" LOA	-
46	19-00044	1	Hose Clamp #44	-
47	19-00072	1	Hose Clamp #72	-
48	24-21000	1	Air Filter	-
49	23-21000	1	Bracket, Air Filter Mtg.	-
50	12-00814	2	Capscrew, Hex Head M10 x 1.5 x 35 mm	-
51	15-00802	2	Lock Washer, Helical M10	-
52	15-00805	2	Flat Washer M10	-
53	19-00128	1	Hose Clamp #128	-
54	21-00025	1	Male Elbow 90° PVC 3/4 HB x 3/4 HB	-
55	41-00004	9	Hose 3/4" ID 1 Ply, SAE	-
56	13-00814	4	Stud M10 x 1.5 x 30 mm	-
57	14-00817	4	Hex Nut M10 x 1.5 S/S	-
58	15-00804	4	Wave Washer M10	-
60	27-21002	1	Tube	-
61	16-21001	2	O-ring	-
62	27-21001	2	Intake Elbow	-

Intake, Turbocharger, and Air Filter Assembly

M1066T, M99C2



A-8426, A-8427 / C-4157

Intake, Turbocharger, and Air Filter Assembly

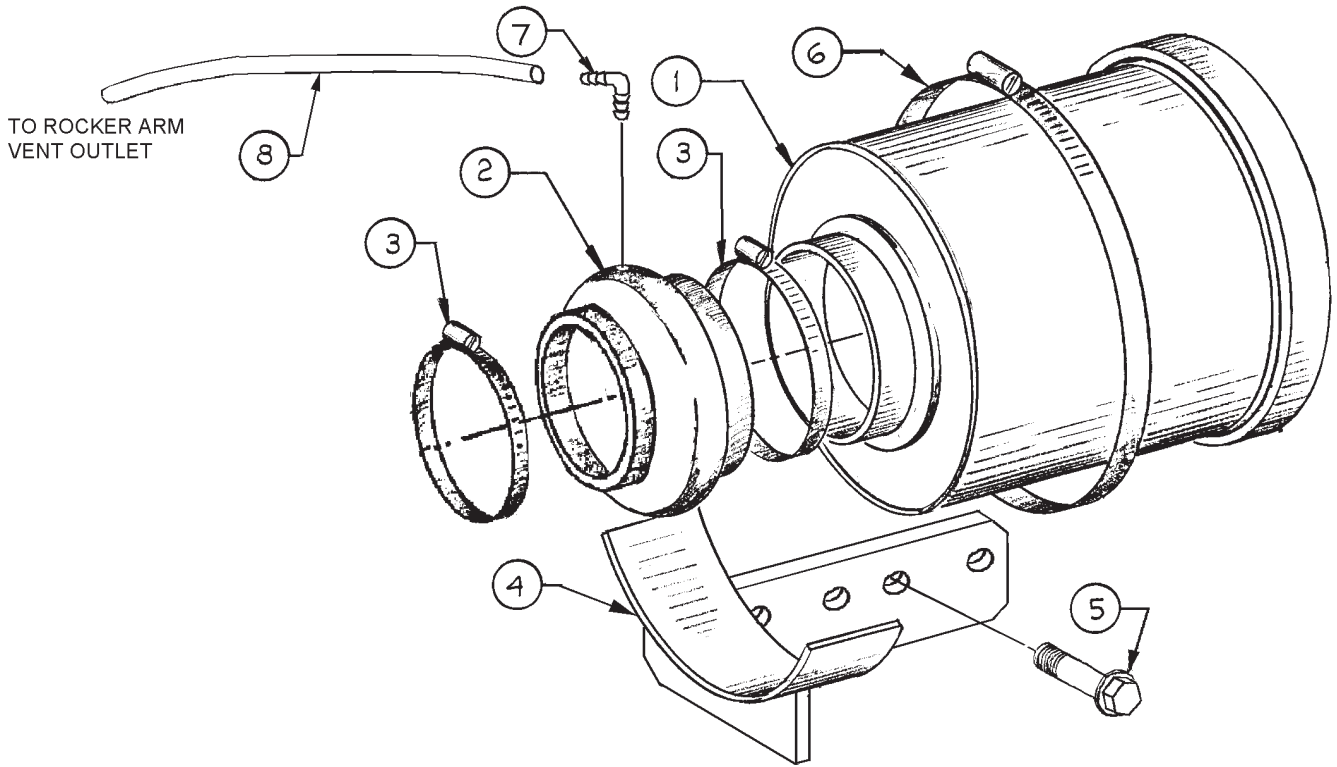
M1066T, M99C2

KEY	PART NUMBER	QTY	DESCRIPTION	SERIAL NUMBER
1	30-31426-1	1	Turbocharger (see Parts Detail)	-
2	11-31401	1	Gasket	-
3	13-00814	4	Stud, M10 x 1.5 x 30 mm (42 mm LOA)	-
4	14-00817	4	Hex Nut, M10 x 1.5 S/S	-
5	15-00804	4	Wave Washer, M10	-
6	18-21016	1	Hose, 2" I.D. x 1-3/4" 3 Ply Silicone	-
7	19-01028	4	Hose Clamp #28	-
8	27-21010	1	Intake Tube Assembly (Includes keys #50-52)	-
9	18-21014	1	Hose, 2" I.D. x 2-3/8"	-
10	10-21607	1	Intake Manifold	-
11	11-21011	1	Gasket	-
12	12-00071	1	Capscrew, Hex Head M10 x 1.5 x 70 mm	-
13	12-00051	2	Capscrew, Hex Head M10 x 1.5 x 90 mm	-
14	15-00804	3	Wave Washer, M10	-
15	21-00012	1	Plug, Hex Head Brass 1/8 NPT	-
16	11-31031	1	Gasket	-
17	27-31602	1	Pipe, Turbo Oil Return (Upper)	-
18	12-00711	2	Capscrew, Hex Head M8 x 1.25 x 20 mm	-
19	15-00702	4	Lock Washer, Helical M8	-
20	18-11010	1	Hose, 3/4" I.D. x 4-1/4"	-
21	19-01012	2	Hose Clamp #12	-
22	27-31402	1	Pipe, Turbo Oil Return (Lower)	-
23	R41285	1	Adapter	-
24	16-01000	1	O-ring	-
25	R43928	1	Adapter	-
26	11-31012	1	Gasket	-
27	12-00714	2	Capscrew, Hex Head M8 x 1.25 x 40 mm, all thread	-
28	21-52800	1	Male Connector, Steel 3/8 NPT x 3/8-37T	-
29	27-09601	1	Tube Assembly, Turbocharger oil supply	-
30	21-09502	1	Male Connector, Steel 3/8-37T x M16 x 1.5	-
31	21-52213	1	Elbow, 90° Swivel, Steel 3/8-37T	-
32	19-72252	1	Adelle Clamp, 3/8" I.D. x 3/8" Stud	-
33	12-00751	1	Capscrew, Hex Head, M8 x 1.25 x 16 mm	-
34	15-00702	1	Lock Washer, Helical M8	-
35	15-00701	1	Flat Washer, M8	-
36	18-21004	1	Hump Hose	-
37	19-00036	1	Hose Clamp #36	-
38	19-00072	1	Hose Clamp #72	-
39	24-21000	1	Air Filter	-
40	23-21003	1	Bracket	-
41	12-00814	2	Capscrew, Hex Head M10 x 1.5 x 35 mm	-
42	15-00802	2	Lock Washer, Helical M10	-
43	15-00805	2	Flat Washer, M10	-
44	19-00128	1	Hose Clamp #128	-
45	21-00025	1	Male Elbow, 90° PVC 3/4 HB x 3/4 HB	-
46	41-00004	8.3"	Hose, 3/4" I.D. 1 Ply	-
47	21-00077	1	Female Adapter, Steel 1/8 NPT x M22 x 1.5	-
48	15-09501	1	Sealing Washer, Copper M22	-
49	21-10001	1	Drain Cock, Brass 1/8 NPT	-
50	27-21002	1	Intake Tube	-
51	16-21001	2	O-ring	-
52	27-21001	2	Intake Elbow	-

GROUP 2 - INTAKE AND EXHAUST SYSTEMS

Air Filter and Mounting

L1066A & M1066A1-A2 @ 60 Hz & M1066A3

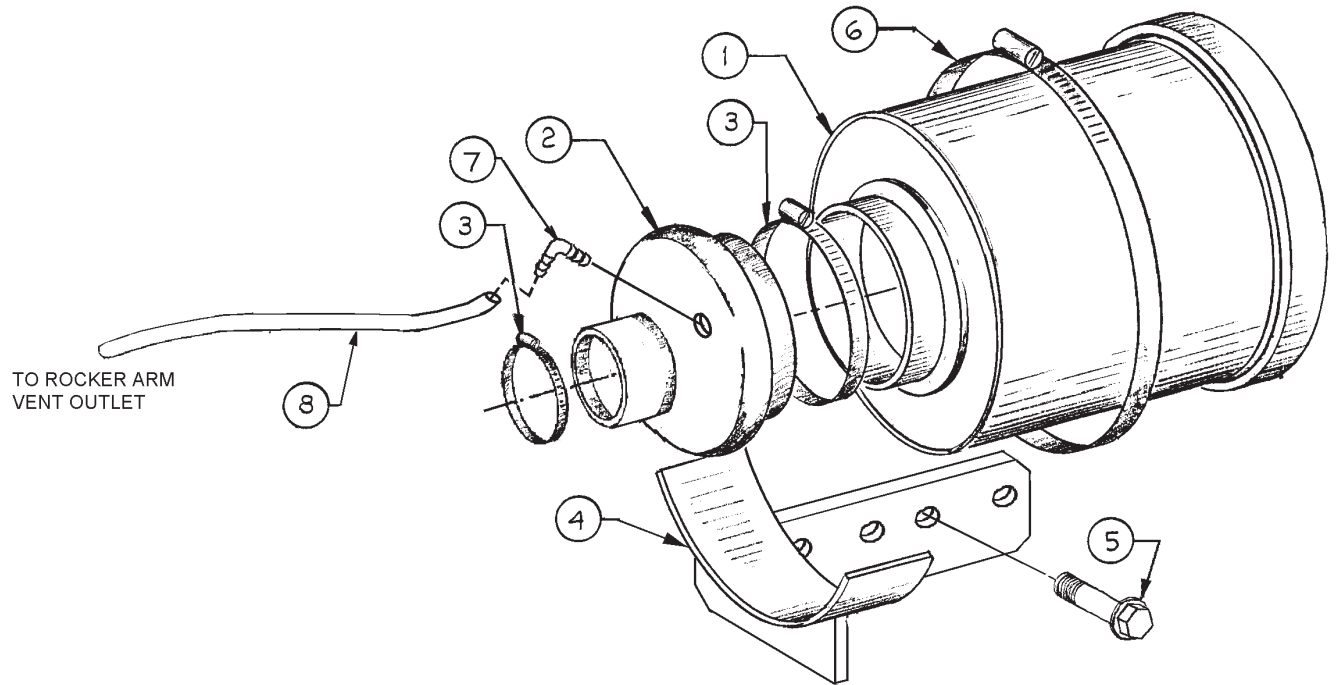


A-10885/ B-8822

KEY	PART NUMBER	QTY	DESCRIPTION	SERIAL NUMBER
1	24-21000	1	Air Filter	-
2	18-22504	1	Hump Hose 4" ID x 5-1/4" LOA (L1066A - M1066A1-A2 @ 60 Hz)	-
	18-21003	1	Hump Hose 4" ID x 2- 3/4" I.D. x 4" LOA (M1066A3)	-
3	19-00072	1	Hose Clamp #72	-
4	23-29501	1	Bracket, Air Filter Mtg.	-
5	19M7785	2	Capscrew, Hex Head Flanged M10 x 1.5 x 25 mm	-
6	19-00128	3	Hose Clamp #128	-
7	21-00025	1	Male Elbow, 90° PVC 3/4 HB x 3/4 HB	-
8	41-00004	**	Hose 3/4" ID (Sold per inch)	-
9	19-00044	1	Hose Clamp #44 (M1066A3)	-
			**As required	

Air Filter and Mounting

M1066A & M1066A1-A2 @ 50 Hz

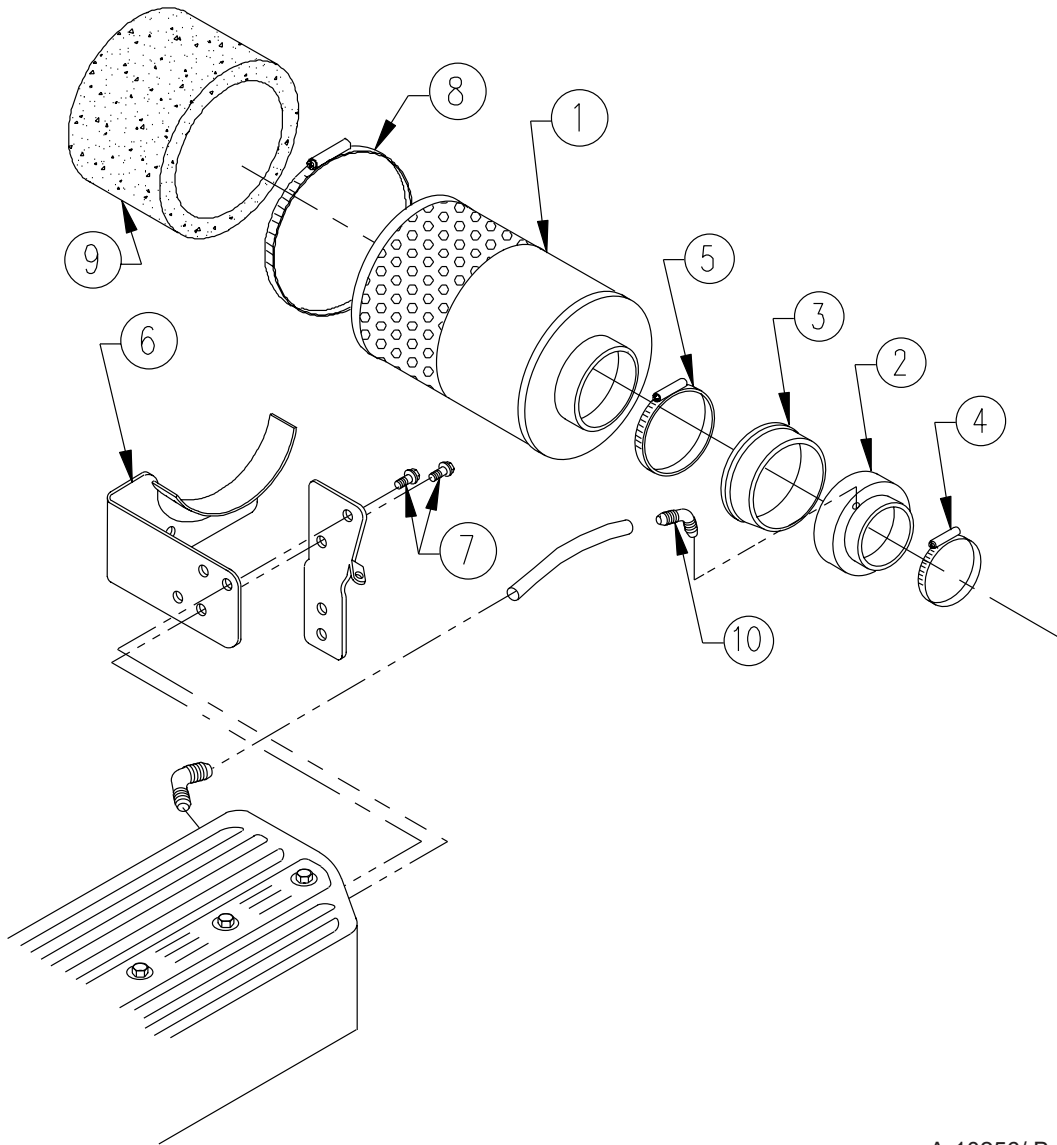


A-10680/ B-8838

KEY	PART NUMBER	QTY	DESCRIPTION	SERIAL NUMBER
1	24-21000	1	Air Filter	-
2	18-29501	1	Hump Hose 4-1/8" ID x 4-3/4" LOA	-
3	19-00072	1	Hose Clamp #72	-
4	23-29501	1	Bracket, Air Filter Mtg.	-
5	19M7785	2	Capscrew, Hex Head Flanged M10 x 1.5 x 25 mm	-
6	19-00128	3	Hose Clamp #128	-
7	21-00025	1	Male Elbow, 90° PVC 3/4 HB x 3/4 HB	-
8	41-00004	12"	Hose 3/4" ID (Sold per inch)	-
9	19-00036	1	Hose Clamp #36	-

Air Filter and Mounting

L1066H

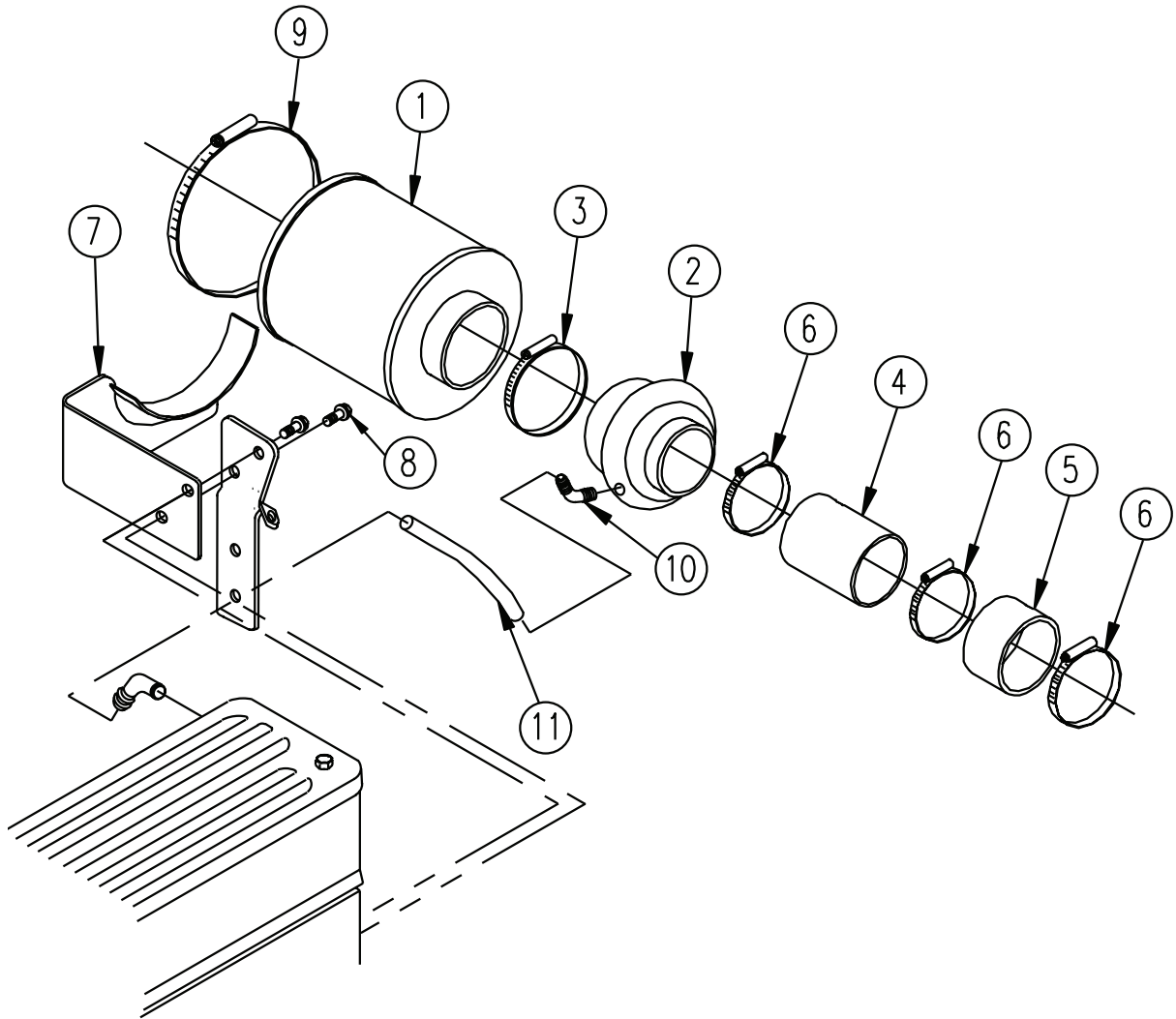


A-10256/ B-8869

KEY	PART NUMBER	QTY	DESCRIPTION	SERIAL NUMBER
1	24-25001	1	Air Filter Housing	-
2	18-24806	1	Hump Hose 6" ID x 4" x 3-1/4" LOA	-
3	24-25003	1	Rubber Bushing 5-1/2" I.D. x 6" O.D.	-
4	19-00072	1	Hose Clamp #72	-
5	19-00096	1	Hose Clamp #96	-
6	23-29601	1	Bracket, Air Filter Mtg.	-
7	19M7785	2	Capscrew, Hex Head Flanged M10 x 1.5 x 25 mm	-
8	19-00128	1	Hose Clamp #128	-
9	24-25002	1	Air Filter Element	-
10	21-00025	1	Male Elbow, 90° PVC 3/4 HB x 3/4 HB	-

Intake and Aftercooler Assembly

M1066H

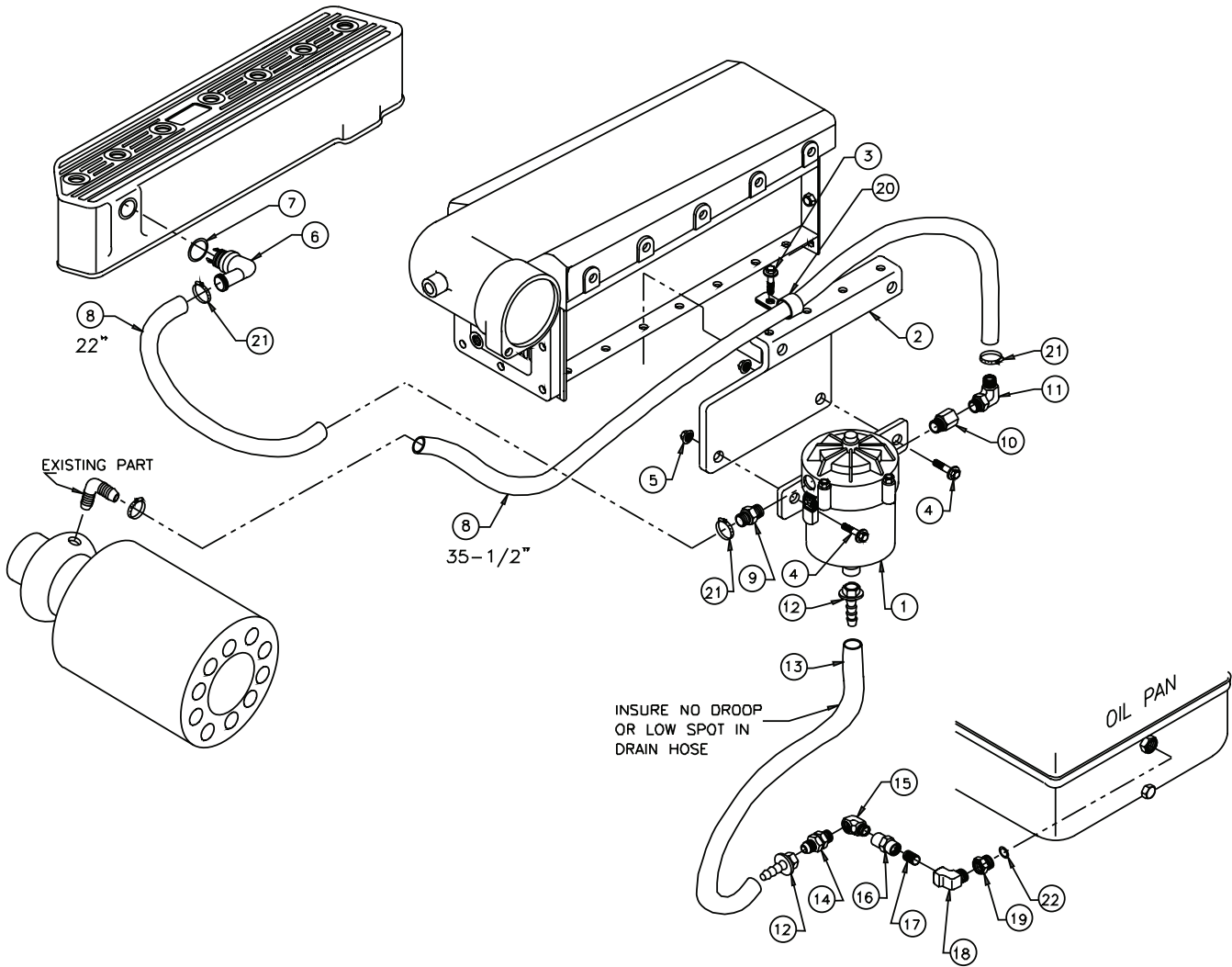


A-11037/ B-8646

KEY	PART NUMBER	QTY	DESCRIPTION	SERIAL NUMBER
1	24-21000	1	Air Filter	-
2	18-21003	1	Hump Hose 4" x 2-3/4" x 4"	-
3	19-00072	1	Hose Clamp #72	-
4	27-29604	1	Tube, Air Intake	-
5	18-29601	1	Hose 2-3/4" ID x 3" 3 Ply Silicone	-
6	19-01048	3	Hose Clamp #48 Extended Band S/S	-
7	23-29603	1	Bracket, Air Filter Mtg.	-
8	19M7785	2	Capscrew, Hex Head Flanged M10 x 1.5 x 25 mm	-
9	19-00128	1	Hose Clamp #128	-
10	21-00025	1	Male Elbow 90° PVC 3/4 HB x 3/4 HB	-
11	41-00004		Hose 3/4" ID	-

Crankcase Breather Filter Assembly

L-M1066H



A-12093/ B-9418

Crankcase Breather Filter Assembly

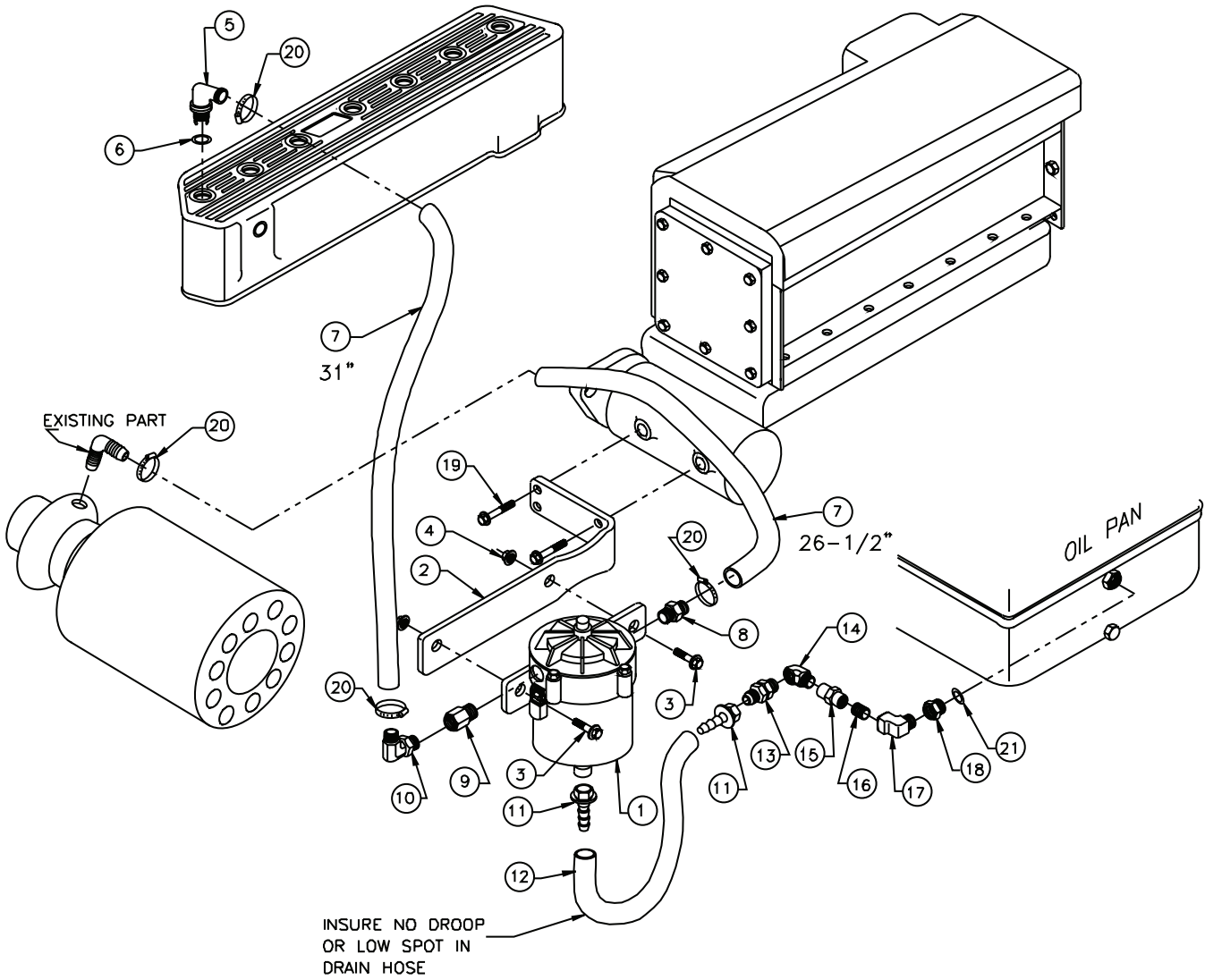
L-M1066H

KEY	PART NUMBER	QTY	DESCRIPTION	SERIAL NUMBER
1	24-20015	1	Crankcase Breather Filter, Left hand Inlet	-
2	23-29606	1	Bracket, Crankcase Breather Filter Support	-
3	19M7866	4	Capscrew, Hex Head Flanged M8 x 1.25 x 20 mm Grade 10.9	-
4	19M7786	2	Capscrew, Hex Head Flanged M10 x 1.5 x 30 mm Grade 10.9	-
5	14-80811	2	Hex Nut, Flanged M10 x 1.5	-
6	R120467	1	Elbow, 90° 3/4 HB with o-ring	-
7	16-01000	1	O-ring	-
8	41-01050	68"	Hose, 3/4" I.D. Wire Reinforced SAE J1527 A-2 USCG-20 +212°F	-
9	21-20003	1	Male Connector, PVC 7/8 O-r Port x 3/4 HB	-
10	21-20007	1	Female Adapter, Steel 3/4 NPT x 7/8 O-r Port	-
11	21-20006	1	Male Elbow 90° Nylon 3/4 NPT x 3/4 HB	-
12	21-71034	2	Female Swivel, Brass 3/8 HB x 3/8-37T Push-on	-
13	41-01020	16	Hose, 3/8" I.D. Push-on	-
14	21-20002	1	One way Valve, Brass 1/4 NPT x 3/8-37T	-
15	21-00034	1	Street Elbow 45° Brass 1/4 NPT	-
16	21-00044	1	Hex Coupling Brass 1/4 NPT	-
17	21-71041	1	Close Nipple Brass 1/4 NPT	-
18	21-51098	1	Street Elbow 90° Brass 1/4 NPT	-
19	21-79504	1	Female Adapter Steel 1/4 NPT x M22 x 1.5	-
20	19-00000	1	Adelle Clamp 15/16" I.D. x 3/8" Stud	-
21	19-00012	4	Hose Clamp #12	-
22	16-09501	1	O-ring	-

GROUP 2 - INTAKE AND EXHAUST SYSTEMS

Crankcase Breather Filter Assembly

M1066A & M1066A1 - A2 - A3



A-12091, A-12092/ B-9420

Crankcase Breather Filter Assembly

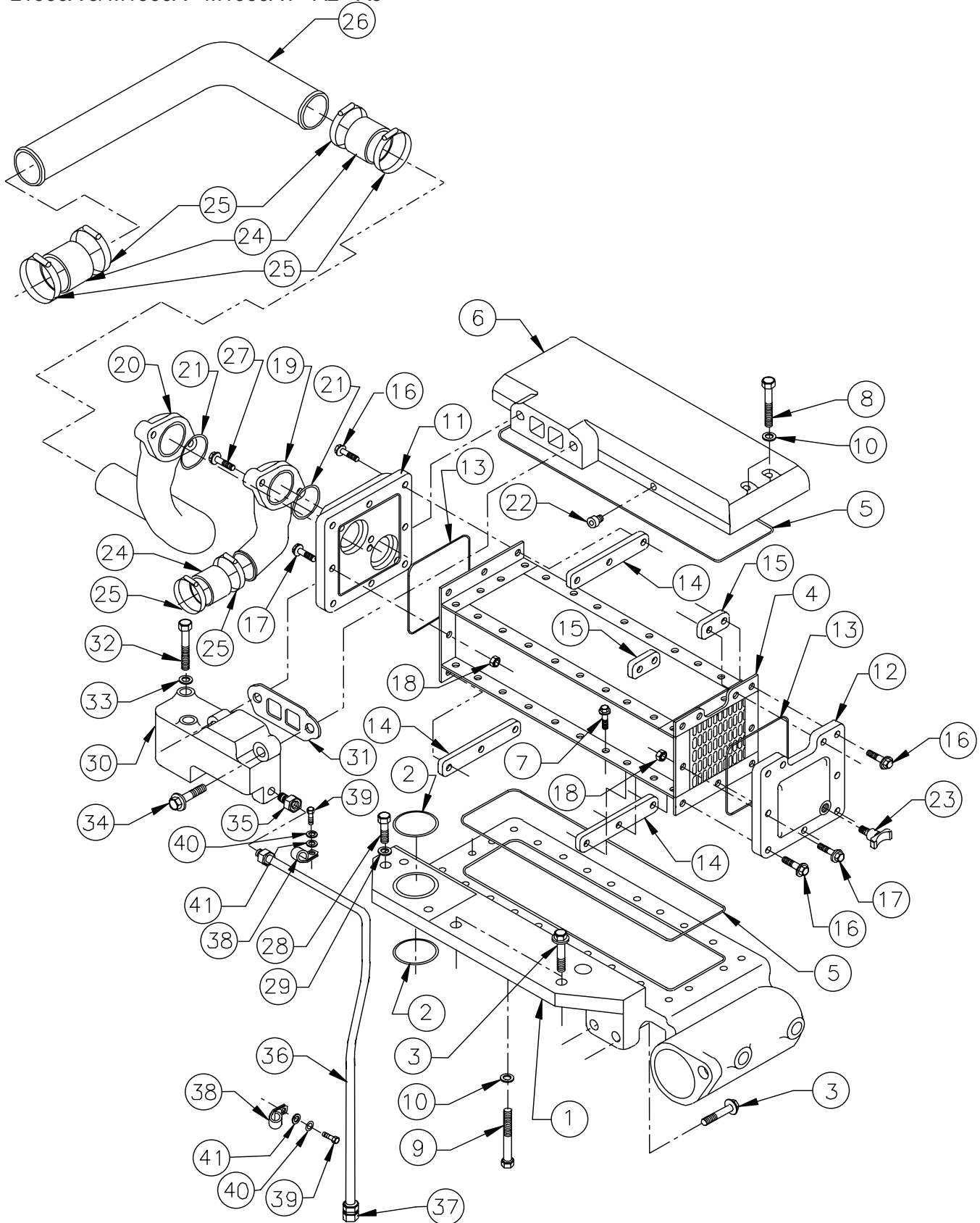
M1066A & M1066A1 - A2 - A3

KEY	PART NUMBER	QTY	DESCRIPTION	SERIAL NUMBER
1	24-20015	1	Crankcase Breather Filter, Left hand Inlet	-
2	23-29607	1	Bracket, Crankcase Breather Filter Support	-
3	19M7785	2	Capscrew, Hex Head Flanged M10 x 1.5 x 25 mm Grade 10.9	-
4	14-80811	2	Hex Nut, Flanged M10 x 1.5	-
5	R120467	1	Elbow, 90° 3/4 HB with o-ring	-
6	16-01000	1	O-ring	-
7	41-01050	58"	Hose, 3/4" I.D. Wire Reinforced SAE J1527 A-2 USCG-20 +212°F	-
8	21-20003	1	Male Connector, PVC 7/8 O-ring Port x 3/4 HB	-
9	21-20007	1	Female Adapter, Steel 3/4 NPT x 7/8 O-ring Port	-
10	21-20006	1	Male Elbow 90° Nylon 3/4 NPT x 3/4 HB	-
11	21-71034	2	Female Swivel, Brass 3/8 HB x 3/8-37T Push-on	-
12	41-01020	38"	Hose, 3/8" I.D. Push-on	-
13	21-20002	1	One way Valve, Brass 1/4 NPT x 3/8-37T	-
14	21-00034	1	Street Elbow 45° Brass 1/4 NPT	-
15	21-00044	1	Hex Coupling Brass 1/4 NPT	-
16	21-71041	1	Close Nipple Brass 1/4 NPT	-
17	21-51098	1	Street Elbow 90° Brass 1/4 NPT	-
18	21-79504	1	Female Adapter Steel 1/4 NPT x M22 x 1.5	-
19	12-80832	2	Capscrew, Hex Head Flanged M10 x 1.5 x 30 mm Grade 10.9	-
20	19-00012	4	Hose Clamp #12	-
21	16-09501	1	O-ring	-

GROUP 2 - INTAKE AND EXHAUST SYSTEMS

Intake and Aftercooler Assembly

L1066A & M1066A - M1066A1 - A2 - A3



A-10285/ C-5652z

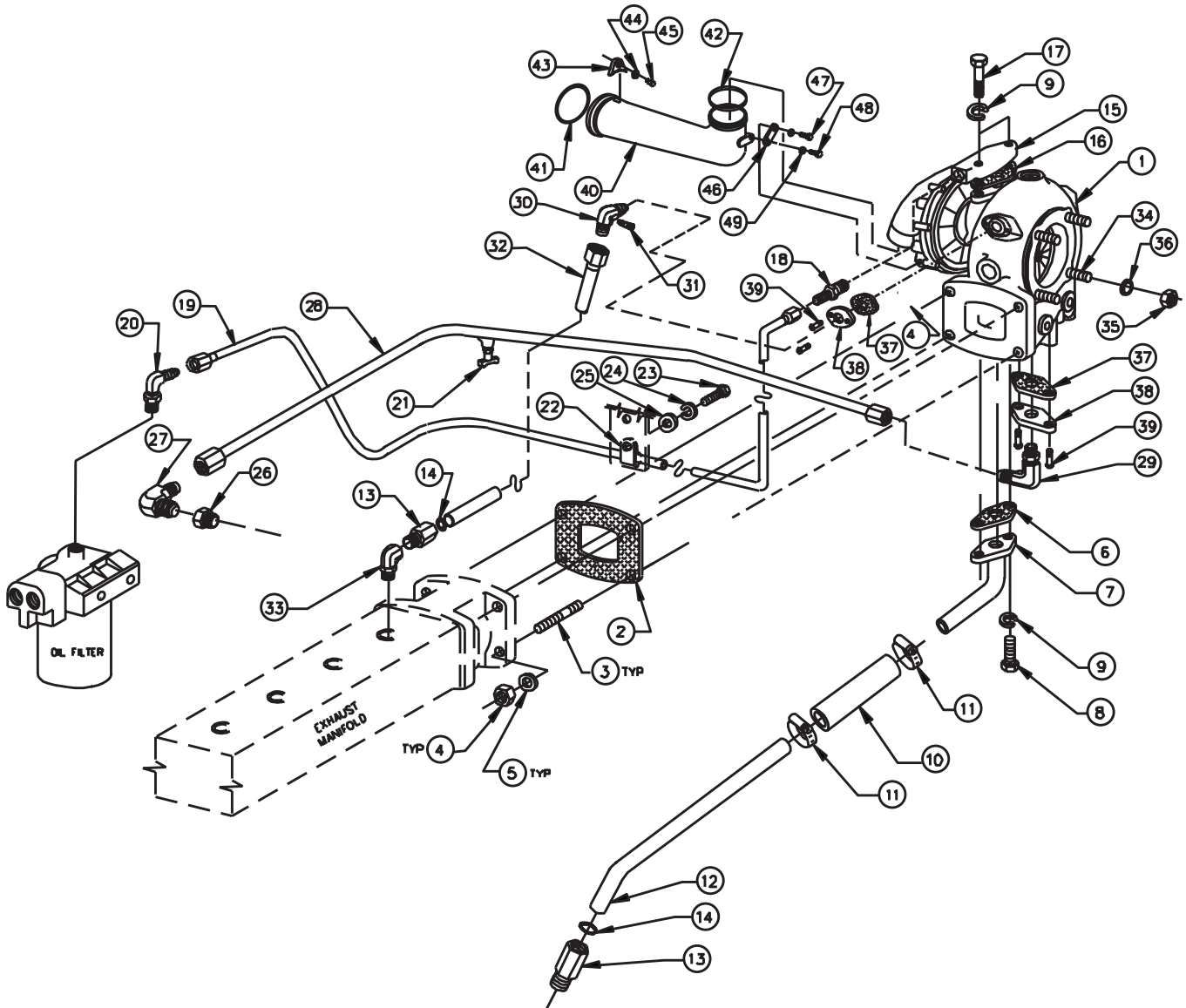
Intake and Aftercooler Assembly

L1066A & M1066A - M1066A1 - A2 - A3

KEY	PART NUMBER	QTY	DESCRIPTION	SERIAL NUMBER
1	10-29604	1	Manifold, Intake and Aftercooler	-
2	16-29502	2	O-ring	-
3	01435-01035	4	Capscrew, Hex Head Flanged M10 x 1.5 x 35 mm	-
4	20-29601-1	1	Element, Intake Aftercooler	-
5	16-09601	2	O-ring	-
6	10-29603	1	Aftercooler Cover	-
7	19M7865	40	Capscrew, Hex Head Flanged M8 x 1.25 x 16 mm	-
8	12-00733	2	Capscrew, Hex Head M8 x 1.25 x 180 mm (Grade 8.8)	-
9	12-00733	2	Capscrew, Hex Head M8 x 1.25 x 180 mm (Grade 8.8)	-
10	15-00706	4	Flat Washer M8 S/S	-
11	10-29503	1	Aftercooler Cover	-
12	10-29502	1	Aftercooler Cover	-
13	16-09504	2	O-ring	-
14	28-09501	3	Threaded Plate (3 Places)	-
15	28-09502	2	Threaded Plate (2 Places)	-
16	19M7866	13	Capscrew, Hex Head Flanged, M8 x 1.25 x 20 mm	-
17	19M7867	4	Capscrew, Hex Head Flanged, M8 x 1.25 x 25 mm	-
18	14M7298	4	Hex Nut, Flanged M8 x 1.25	-
19	27-09503	1	Connector, Raw Water Pump Outlet	-
20	27-09504	1	Connector, Aftercooler Outlet	-
21	16-13101	2	O-ring	-
22	21-00027	1	Plug, Socket Head Brass 1/8 NPT	-
23	21-10002	1	Drain Cock Brass 1/4 NPT	-
24	18-26002	3	Hose, 2" ID x 3-3/4" 4 Ply Silicone	-
25	19-01032	6	Hose Clamp #32	-
26	27-19514	1	Tube, Heat Exchanger Inlet	-
27	19M8320	4	Capscrew, Hex Head Flanged M10 x 1.5 x 45 mm	-
28	12-00954	1	Capscrew, Hex Head M12 x 1.75 x 35 mm	-
29	15-00904	1	Wave Washer	-
30	10-29504	1	Connector, Aftercooler Intake	-
31	11-29501	1	Gasket	-
32	12-00842	2	Capscrew, Hex Head M10 x 1.5 x 140 mm	-
33	15-00804	2	Wave Washer M10	-
34	12-80832	2	Capscrew, Hex Head Flanged M10 x 1.5 x 30 mm	-
35	21-09516	1	Male Connector, S/S 3/8- 37T x 3/8	-
36	27-29603	1	Tube Assembly, Aftercooler Condensate	-
37	21-29504	1	Drain, Aftercooler Condensate	-
38	19-72252	2	Adelle Clamp, 3/8" I.D.	-
39	12-00776	2	Capscrew, Hex Head M8 x 1.25 x 20 mm S/S	-
40	15-00705	2	Lock Washer, Helical M8 S/S	-
41	15-00701	2	Flat Washer, M8	-

Turbocharger and Mounting Assembly

L1066A



A-10699 / C-5584

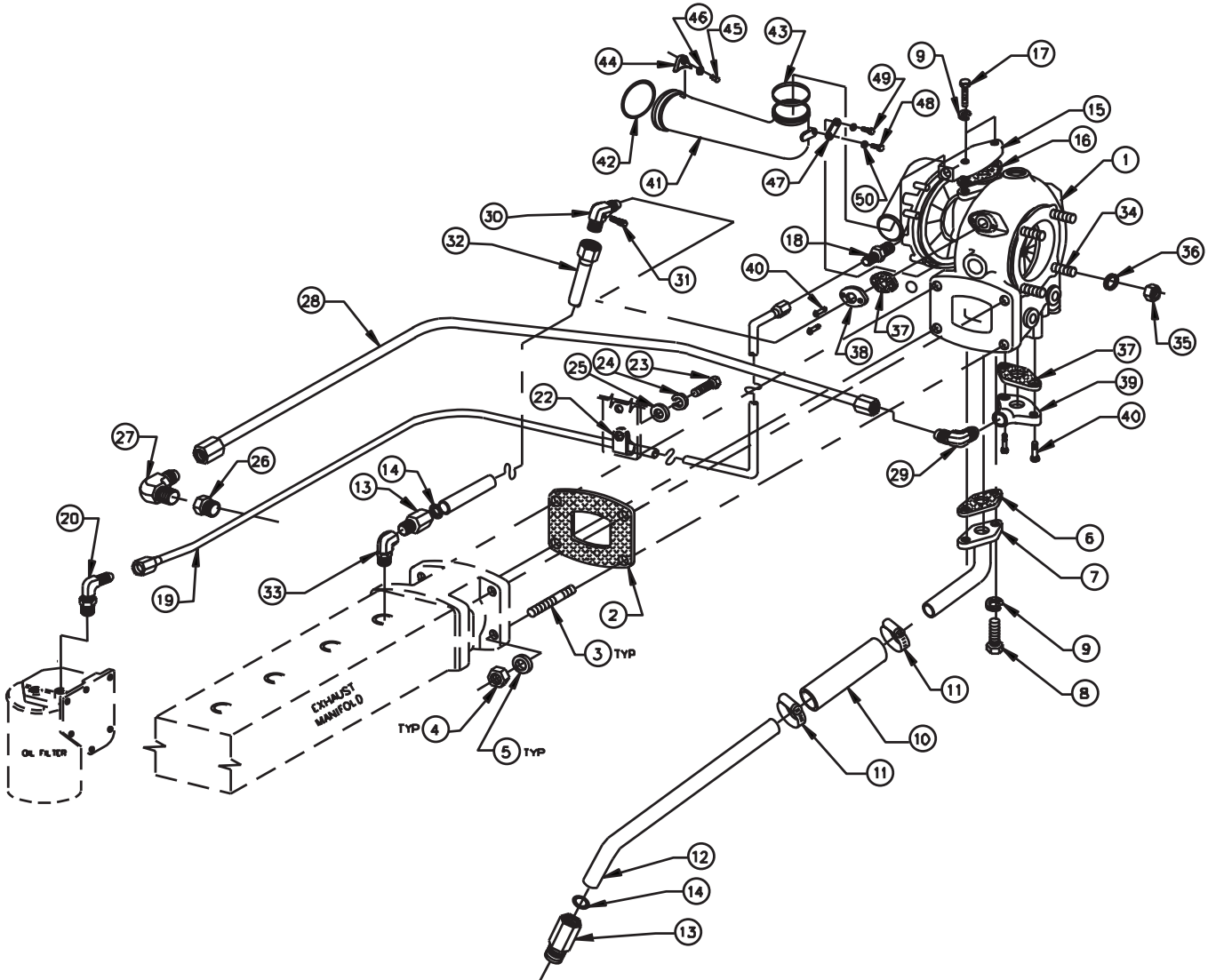
Turbocharger and Mounting Assembly

L1066A

KEY	PART NUMBER	QTY	DESCRIPTION	SERIAL NUMBER
1	30-39627	1	Turbocharger, K27	-
2	11-31615	1	Gasket, Turbo Mounting	-
3	13-00814	4	Stud, M10 x 1.5 x 30 mm	-
4	14-00818	4	Hex Nut, M10 x 1.5 S/S	-
5	15-00804	4	Wave Washer M10	-
6	11-31031	1	Gasket, Turbo Oil Return	-
7	27-31602	1	Pipe, Turbo Oil Return (Upper)	-
8	12-00711	2	Capscrew, Hex Head M8 x 1.25 x 20 mm	-
9	15-00702	4	Lock Washer, Helical M8	-
10	18-11010	1	Hose, 3/4" ID x 4-1/4" 3 Ply Silicone	-
11	19-01012	2	Hose Clamp, #12 Extended Band S/S	-
12	27-31402	1	Pipe, Turbo Oil Return (Lower)	-
13	R41285	2	Adapter, O-ring Seal x 1/2 NPT	-
14	16-01000	2	O-ring	-
15	R43928	1	Adapter, Turbo Oil Supply	-
16	11-31012	1	Gasket	-
17	12-00714	2	Capscrew, Hex Head M8 x 1.25 x 40 mm	-
18	21-52800	1	Male Connector, Steel 3/8 NPT x 3/8- 37T	-
19	27-09603	1	Tube Assembly	-
20	21-09501	1	Male Elbow, 90° Steel M16 x 1.5 x 3/8- 37T	-
21	21-10002	1	Drain Cock, Brass 1/4 NPT	-
22	19-72252	1	Adelle Clamp 3/8" ID x 3/8" Stud	-
23	12-00751	1	Capscrew, Hex Head M8 x 1.25 x 16 mm	-
24	15-00702	1	Lock Washer, Helical M8	-
25	15-00701	1	Flat Washer M8	-
26	21-09512	1	Female Adapter, Steel 3/4 O-ring port	-
27	21-00032	1	Male Elbow 90°, Steel 3/4 O-ring port	-
28	27-19607	1	Tube Assembly, Turbo Coolant Supply	-
29	21-62600	1	Male Elbow, 90° Steel 5/8 O-ring port	-
30	21-35003	1	Male Elbow, 90° Steel 5/8 O-ring port	-
31	21-10001	1	Drain Cock, Brass 1/8 NPT	-
32	27-39607	1	Tube Assembly, Turbo Coolant Return	-
33	21-03459	1	Female Elbow 90° Steel, 5/8 O-ring port	-
34	13-00814	4	Stud, M10 x 1.5 x 30 mm	-
35	14-00817	4	Hex Nut, M10 x 1.5 S/S	-
36	15-00804	4	Wave Washer, M10	-
37	11-15704	2	Gasket	-
38	31-15703	2	Adapter, Turbo Coolant Port Connection	-
39	12-11131	4	Capscrew, Flathead Socket M6 x 1.0 x 20 mm	-
40	27-29602	1	Connector, Air Inlet	-
41	16-25701	1	O-ring	-
42	16-29501	1	O-ring	-
43	00-29501	1	Clip, Air Inlet Tube Retainer	-
44	15-99707	2	Wave Washer, M8 S/S	-
45	12-09712	2	Capscrew, Hex Head M8 x 1.25 x 25 mm S/S	-
46	23-29602	1	Bracket, Air Inlet Tube Retainer	-
47	12-01131	1	Capscrew, Hex Head M6 x 1.0 x 20 mm	-
48	12-00097	1	Capscrew, Hex Head M6 x 1.0 x 12 mm	-
49	15-99131	2	Wave Washer M6 S/S	-

Turbocharger and Mounting Assembly

M1066A1 @ 1800 RPM



A-10731 / C-5662

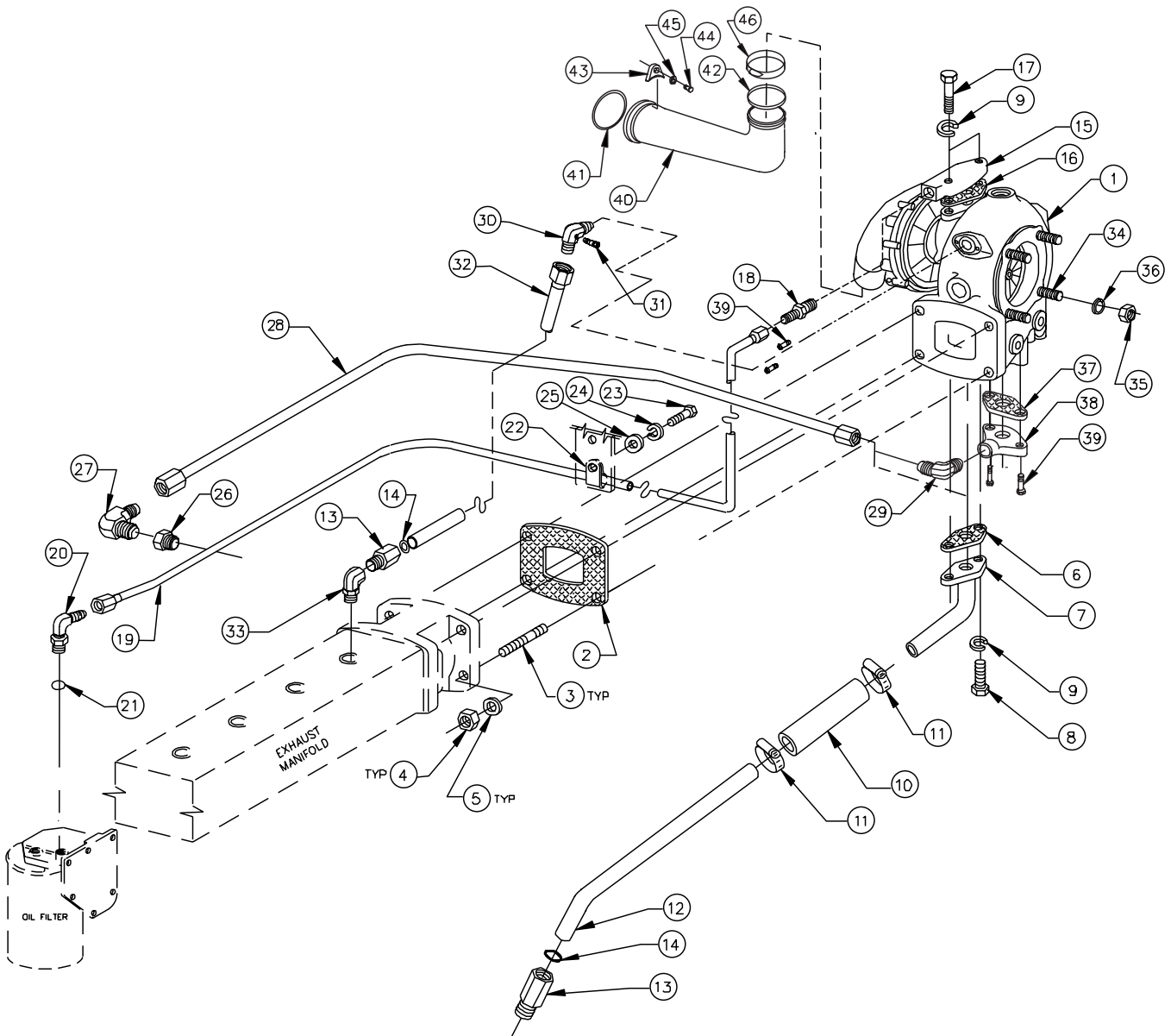
Turbocharger and Mounting Assembly

M1066A1 @ 1800 RPM

KEY	PART NUMBER	QTY	DESCRIPTION	SERIAL NUMBER
1	30-39627	1	Turbocharger, K27	-
2	11-31615	1	Gasket, Turbo Mounting	-
3	13-00814	4	Stud, M10 x 1.5 x 30 mm	-
4	14-00817	4	Hex Nut, M10 x 1.5 S/S	-
5	15-00804	4	Wave Washer M10	-
6	11-31031	1	Gasket, Turbo Oil Return	-
7	27-31602	1	Pipe, Turbo Oil Return (Upper)	-
8	12-00711	2	Capscrew, Hex Head M8 x 1.25 x 20 mm	-
9	15-00702	4	Lock Washer, Helical M8	-
10	18-11010	1	Hose, 3/4" ID x 4-1/4" 3 Ply Silicone	-
11	19-01012	2	Hose Clamp, #12 Extended Band S/S	-
12	27-31402	1	Pipe, Turbo Oil Return (Lower)	-
13	R41285	2	Adapter, O-ring Seal x 1/2 NPT	-
14	16-01000	2	O-ring	-
15	R43928	1	Adapter, Turbo Oil Supply	-
16	11-31012	1	Gasket	-
17	12-00714	2	Capscrew, Hex Head M8 x 1.25 x 40 mm	-
18	21-52800	1	Male Connector, Steel 3/8 NPT x 3/8- 37T	-
19	27-09601	1	Tube Assembly	-
20	21-09501	1	Male Elbow, 90° Steel M16 x 1.5 x 3/8- 37T	-
21	51M7042	1	O-ring	-
22	19-72252	1	Adelle Clamp 3/8" ID x 3/8" Stud	-
23	12-00751	1	Capscrew, Hex Head M8 x 1.25 x 16 mm	-
24	15-00702	1	Lock Washer, Helical M8	-
25	15-00701	1	Flat Washer M8	-
26	21-09512	1	Female Adapter, Steel 3/4 O-ring port	-
27	21-00032	1	Male Elbow 90°, Steel 3/4 O-ring port	-
28	27-19608	1	Tube Assembly, Turbo Coolant Supply	-
29	21-62600	1	Male Elbow, 90° Steel 5/8 O-ring port x 3/4- 37T	-
30	21-35003	1	Male Elbow, 90° Steel 5/8 O-ring port x 3/4- 37T	-
31	21-10001	1	Drain Cock, Brass 1/8 NPT	-
32	27-39607	1	Tube Assembly, Turbo Coolant Return	-
33	21-03459	1	Female Elbow 90° Steel, 5/8 O-ring port	-
34	13-00814	4	Stud, M10 x 1.5 x 30 mm	-
35	14-00817	4	Hex Nut, M10 x 1.5 S/S	-
36	15-00804	4	Wave Washer, M10	-
37	11-15704	2	Gasket	-
38	31-15703	2	Adapter, Turbo Coolant Port Connection	-
39	31-19601	1	Adapter, Turbo Coolant Inlet	-
40	12-11131	4	Capscrew, Flathead Socket M6 x 1.0 x 20 mm (Grade 10.9)	-
41	27-29602	1	Connector, Air Inlet	-
42	16-25701	1	O-ring	-
43	16-29501	1	O-ring	-
44	00-29501	1	Clip, Air Inlet Tube Retainer	-
45	12-09712	2	Capscrew, Hex Head M8 x 1.25 x 25 mm S/S	-
46	15-99707	1	Wave Washer, M8 S/S	-
47	23-29602	1	Bracket, Air Inlet Tube Retainer	-
48	12-01131	1	Capscrew, Hex Head M6 x 1.0 x 20 mm	-
49	12-00097	1	Capscrew, Hex Head M6 x 1.0 x 12 mm	-
50	15-99131	2	Wave Washer M6 S/S	-

Turbocharger and Mounting Assembly

M1066A2 @ 1800



A-10700 / C-5970

Turbocharger and Mounting Assembly

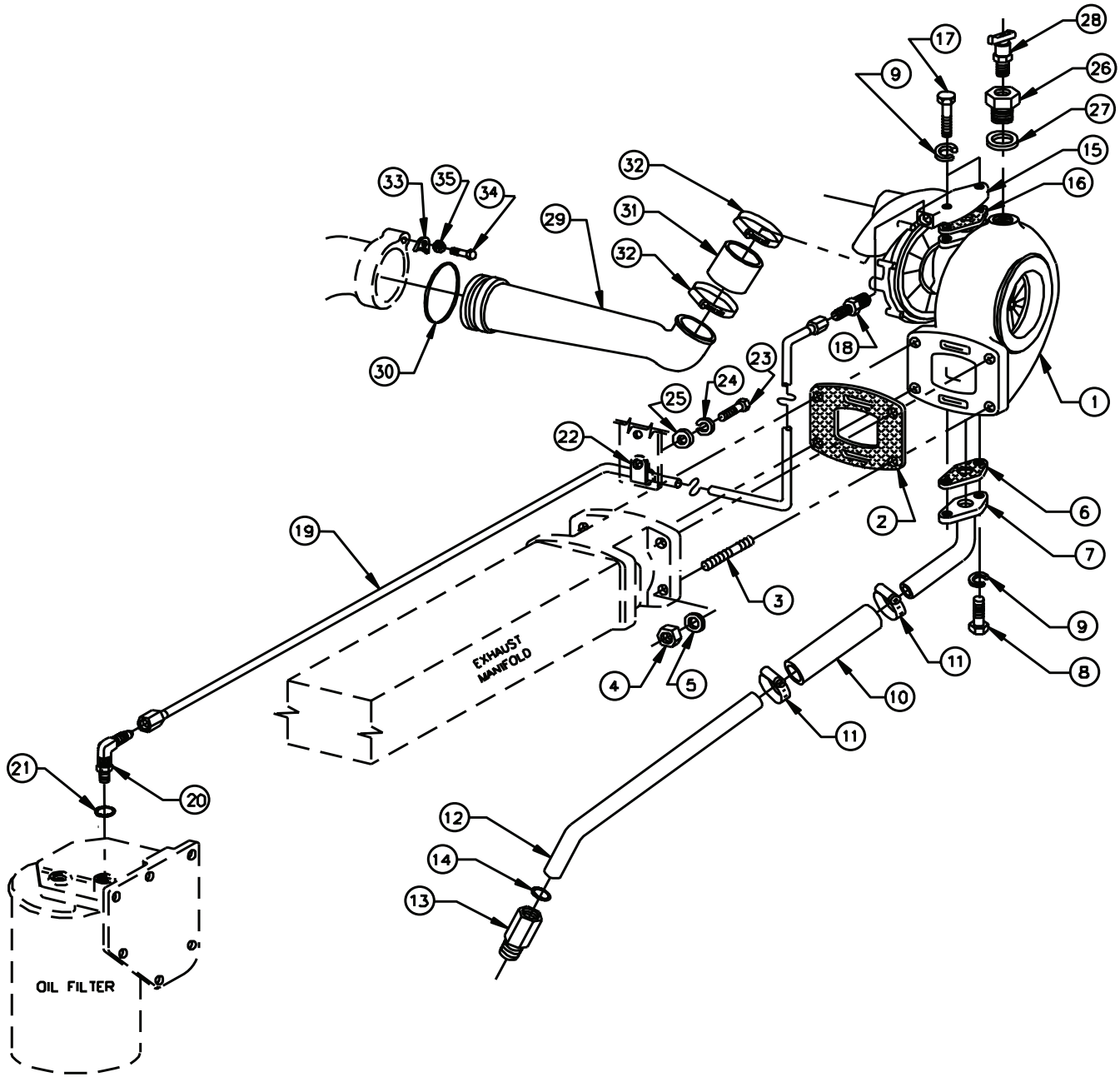
M1066A2 @ 1800

KEY	PART NUMBER	QTY	DESCRIPTION	SERIAL NUMBER
1	30-39527	1	Turbocharger, K27	-
2	11-31615	1	Gasket, Turbo Mounting	-
3	13-00814	4	Stud, M10 x 1.5 x 30 mm	-
4	14-00817	4	Hex Nut, M10 x 1.5 S/S	-
5	15-00804	4	Wave Washer M10	-
6	11-31031	1	Gasket, Turbo Oil Return	-
7	27-31602	1	Pipe, Turbo Oil Return (Upper)	-
8	12-00711	2	Capscrew, Hex Head M8 x 1.25 x 20 mm	-
9	15-00702	4	Lock Washer, Helical M8	-
10	18-11010	1	Hose, 3/4" ID x 4-1/4" 3 Ply Silicone	-
11	19-01012	2	Hose Clamp, #12 Extended Band S/S	-
12	27-31402	1	Tube, Turbo Oil Return (Lower)	-
13	R41285	2	Adapter, O-ring Seal x 1/2 NPT	-
14	16-01000	2	O-ring	-
15	R43928	1	Adapter, Turbo Oil Supply	-
16	11-31012	1	Gasket	-
17	12-00714	2	Capscrew, Hex Head M8 x 1.25 x 40 mm	-
18	21-52800	1	Male Connector, Steel 3/8 NPT x 3/8- 37T	-
19	27-09601	1	Tube Assembly	-
20	21-09501	1	Male Elbow, 90° Steel M16 x 1.5 x 3/8- 37T	-
21	51M7042	1	O-ring	-
22	19-72252	1	Adelle Clamp 3/8" ID x 3/8" Stud	-
23	12-00751	1	Capscrew, Hex Head M8 x 1.25 x 16 mm	-
24	15-00702	1	Lock Washer, Helical M8	-
25	15-00701	1	Flat Washer M8	-
26	21-09512	1	Female Adapter, Steel 3/4 O-ring port	-
27	21-00032	1	Male Elbow 90°, Steel 3/4 O-ring port	-
28	27-19608	1	Tube Assembly, Turbo Coolant Supply	-
29	21-62600	1	Male Elbow, 90° Steel 5/8 O-ring port x 3/4- 37T	-
30	21-14817	1	Male Elbow, 90° Steel M22 x 1.5 x 3/4- 37T	-
31	21-10001	1	Drain Cock, Brass 1/8 NPT	-
32	27-39601	1	Tube Assembly, Turbo Coolant Return	-
33	21-03459	1	Female Elbow 90° Steel, 5/8 O-ring port	-
34	13-00814	4	Stud, M10 x 1.5 x 30 mm	-
35	14-00817	4	Hex Nut, M10 x 1.5 S/S	-
36	15-00804	4	Wave Washer, M10	-
37	11-15704	1	Gasket	-
38	31-19601	1	Adapter, Turbo Coolant Inlet	-
39	12-11131	2	Capscrew, Flathead Socket M6 x 1.0 x 20 mm (Grade 10.9)	-
40	27-29601	1	Connector, Air Inlet	-
41	16-25701	1	O-ring	-
42	16-29601	1	O-ring	-
43	00-29501	1	Clip, Air Inlet Tube Retainer	-
44	12-09712	1	Capscrew, Hex Head M8 x 1.25 x 25 mm S/S	-
45	15-99707	1	Wave Washer M8 S/S	-
46	19-29601	1	V-clamp	-

GROUP 2 - INTAKE AND EXHAUST SYSTEMS

Turbocharger and Mounting Assembly

M1066A, M1066A1 & A2 @1500 RPM



A-11007 / C-5550

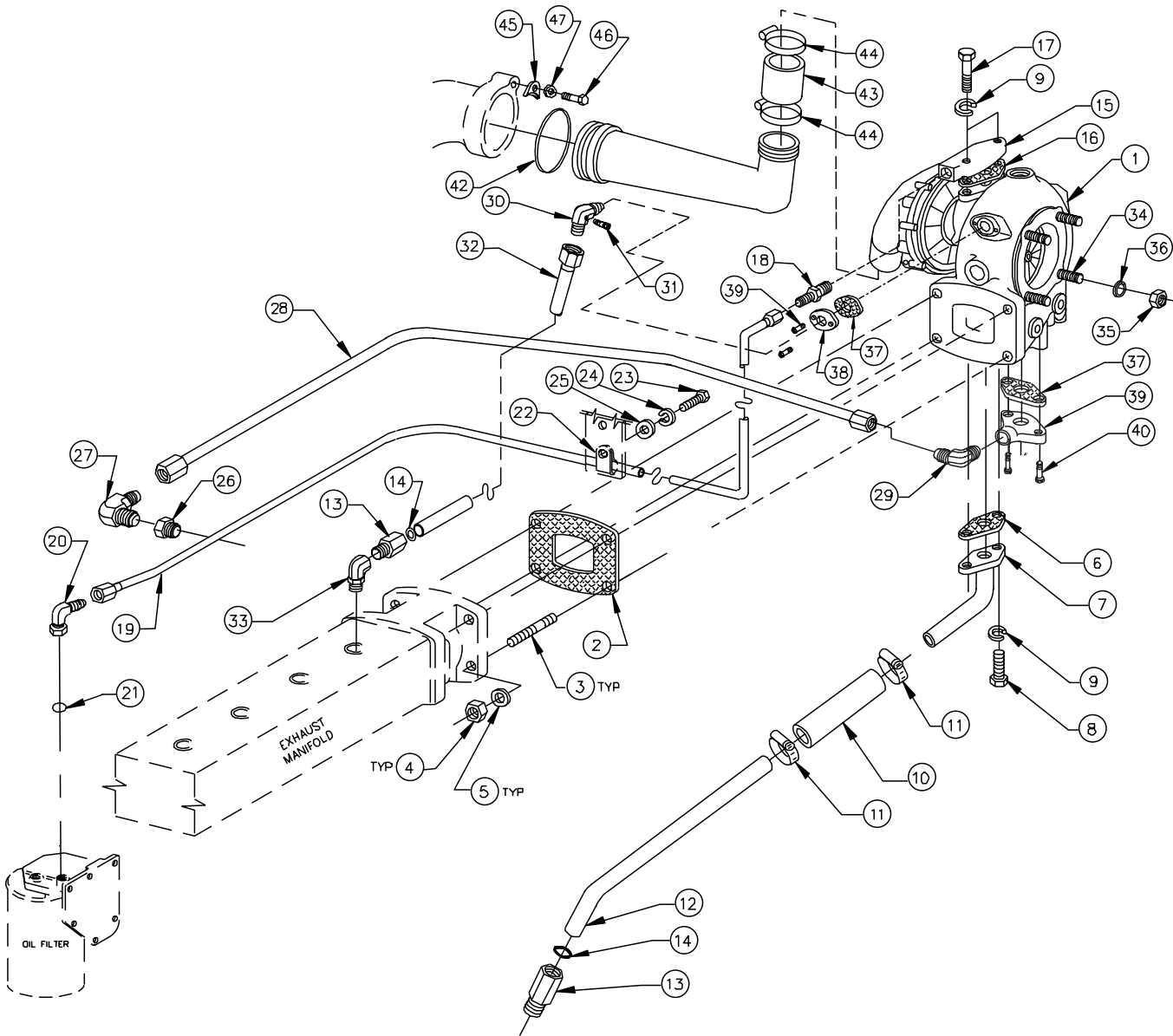
Turbocharger and Mounting Assembly

M1066A, M1066A1 & A2 @1500 RPM

KEY	PART NUMBER	QTY	DESCRIPTION	SERIAL NUMBER
1	30-31426-1	1	Turbocharger, K26 (see parts detail) Data Plate # 5326 988 6493 M1066A1 & A2	-
	30-21400-1	1	Turbocharger, K26 (see parts detail) Data Plate # 5326 988 6090 M1066A	-
2	11-31401	1	Gasket, Turbo Mounting	-
3	13-00814	4	Stud, M10 x 1.5 x 30 mm	-
4	14-00817	4	Hex Nut, M10 x 1.5 S/S	-
5	15-00804	4	Wave Washer M10	-
6	11-31031	1	Gasket, Turbo Oil Return	-
7	27-31602	1	Pipe, Turbo Oil Return (Upper)	-
8	12-00711	2	Capscrew, Hex Head M8 x 1.25 x 20 mm	-
9	15-00702	4	Lock Washer, Helical M8	-
10	18-11010	1	Hose, 3/4" ID x 4-1/4" 3 Ply Silicone	-
11	19-01012	2	Hose Clamp, #12 Extended Band S/S	-
12	27-31402	1	Pipe, Turbo Oil Return (Lower)	-
13	R41285	1	Adapter, O-ring Seal x 1/2 NPT	-
14	16-01000	1	O-ring	-
15	R43928	1	Adapter, Turbo Oil Supply	-
16	11-31012	1	Gasket	-
17	12-00714	2	Capscrew, Hex Head M8 x 1.25 x 40 mm	-
18	21-52800	1	Male Connector, Steel 3/8 NPT x 3/8-37T	-
19	27-09601	1	Tube Assembly	-
20	21-09501	1	Male Elbow, 90° Steel M16 x 1.5 x 3/8-37T	-
21	51M7042	1	O-ring	-
22	19-72252	1	Adelle Clamp 3/8" ID x 3/8" Stud	-
23	12-00751	1	Capscrew, Hex Head M8 x 1.25 x 16 mm	-
24	15-00702	1	Lock Washer, Helical M8	-
25	15-00701	1	Flat Washer M8	-
26	21-00077	1	Female Adapter, Steel 1/8 NPT x M22 x 1.5	-
27	15-09501	1	Sealing Washer	-
28	21-10001	1	Drain Cock, Brass 1/8 NPT	-
29	27-29402	1	Connector, Air Inlet	-
30	16-25701	1	O-ring	-
31	18-21017	1	Hose, 2" ID x 3" 4 Ply Silicone	-
32	19-01028	2	Hose Clamp #28 Extended Band S/S	-
33	00-29501	1	Clip, Air Inlet Tube Retainer	-
34	12-09712	1	Capscrew, Hex Head M8 x 1.25 x 25 mm S/S	-
35	15-99707	1	Wave Washer M8 S/S	-

Turbocharger and Mounting Assembly

M1066A3 @ 1800



A-11036 / C-5971

Turbocharger and Mounting Assembly

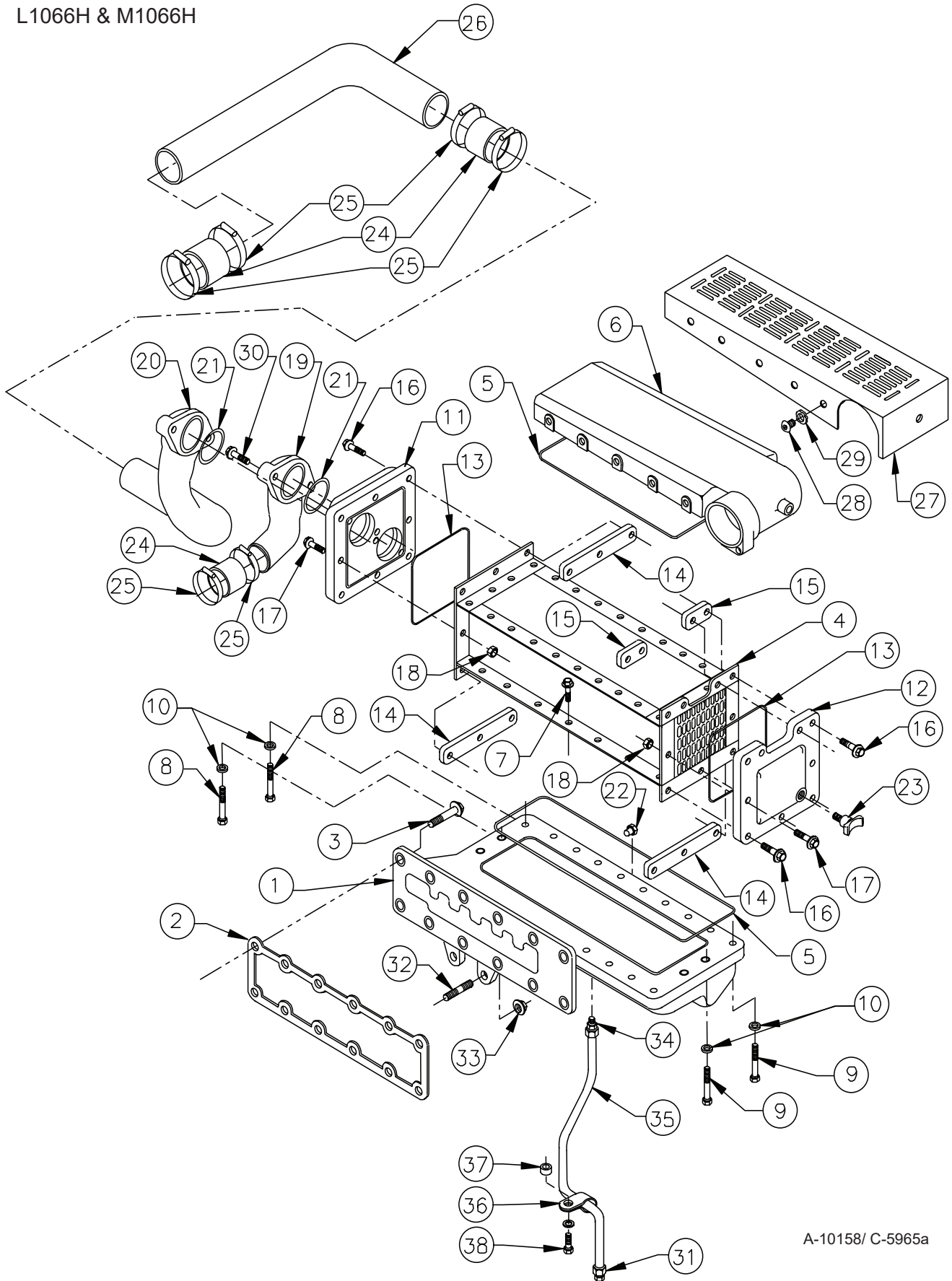
M1066A3 @ 1800

KEY	PART NUMBER	QTY	DESCRIPTION	SERIAL NUMBER
1	30-30027	1	Turbocharger, K27	-
2	11-31615	1	Gasket, Turbo Mounting	-
3	13-00814	4	Stud, M10 x 1.5 x 30 mm	-
4	14-00817	4	Hex Nut, M10 x 1.5 S/S	-
5	15-00804	4	Wave Washer M10	-
6	11-31031	1	Gasket, Turbo Oil Return	-
7	27-31602	1	Pipe, Turbo Oil Return (Upper)	-
8	12-00711	2	Capscrew, Hex Head M8 x 1.25 x 20 mm	-
9	15-00702	4	Lock Washer, Helical M8	-
10	18-11010	1	Hose, 3/4" ID x 4-1/4" 3 Ply Silicone	-
11	19-01012	2	Hose Clamp, #12 Extended Band S/S	-
12	27-31402	1	Tube, Turbo Oil Return (Lower)	-
13	R41285	2	Adapter, O-ring Seal x 1/2 NPT	-
14	16-01000	2	O-ring	-
15	R43928	1	Adapter, Turbo Oil Supply	-
16	11-31012	1	Gasket	-
17	12-00714	2	Capscrew, Hex Head M8 x 1.25 x 40 mm	-
18	21-52800	1	Male Connector, Steel 3/8 NPT x 3/8- 37T	-
19	27-09601	1	Tube Assembly	-
20	21-09501	1	Male Elbow, 90° Steel M16 x 1.5 x 3/8- 37T	-
21	51M7042	1	O-ring	-
22	19-72252	1	Adelle Clamp 3/8" ID x 3/8" Stud	-
23	12-00751	1	Capscrew, Hex Head M8 x 1.25 x 16 mm	-
24	15-00702	1	Lock Washer, Helical M8	-
25	15-00701	1	Flat Washer M8	-
26	21-09512	1	Female Adapter, Steel 3/4 O-ring port	-
27	21-00032	1	Male Elbow 90°, Steel 3/4 O-ring port	-
28	27-19608	1	Tube Assembly, Turbo Coolant Supply	-
29	21-62600	1	Male Elbow, 90° Steel 5/8 O-ring port x 3/4- 37T	-
30	21-35003	1	Male Elbow, 90° Steel 5/8 O-ring port x 3/4- 37T	-
31	21-10001	1	Drain Cock, Brass 1/8 NPT	-
32	27-39607	1	Tube Assembly, Turbo Coolant Return	-
33	21-03459	1	Female Elbow 90° Steel, 5/8 O-ring port	-
34	13-00814	4	Stud, M10 x 1.5 x 30 mm	-
35	14-00817	4	Hex Nut, M10 x 1.5 S/S	-
36	15-00804	4	Wave Washer, M10	-
37	11-15704	2	Gasket	-
38	31-15703	1	Adapter, Turbo Coolant Port Connection	-
39	31-19601	4	Adapter, Turbo Coolant Inlet	-
40	12-11131	4	Capscrew, Flathead Socket M6 x 1.0 x 20 mm	-
41	27-29402	1	Connector, Air Inlet	-
42	16-25701	1	O-ring	-
43	18-29502	1	Hose, 2" I.D. x 3-1/2" 4 Ply Silicone	-
44	19-01028	2	Hose Clamp #28 Extended Band S/S	-
45	00-29501	1	Clip, Air Inlet Tube Retainer	-
46	12-09712	1	Capscrew, Hex Head M8 x 1.25 x 25 mm	-
47	15-99707	1	Wave Washer, M8 S/S	-

GROUP 2 - INTAKE AND EXHAUST SYSTEMS

Intake and Aftercooler Assembly

L1066H & M1066H



A-10158/ C-5965a

Intake and Aftercooler Assembly

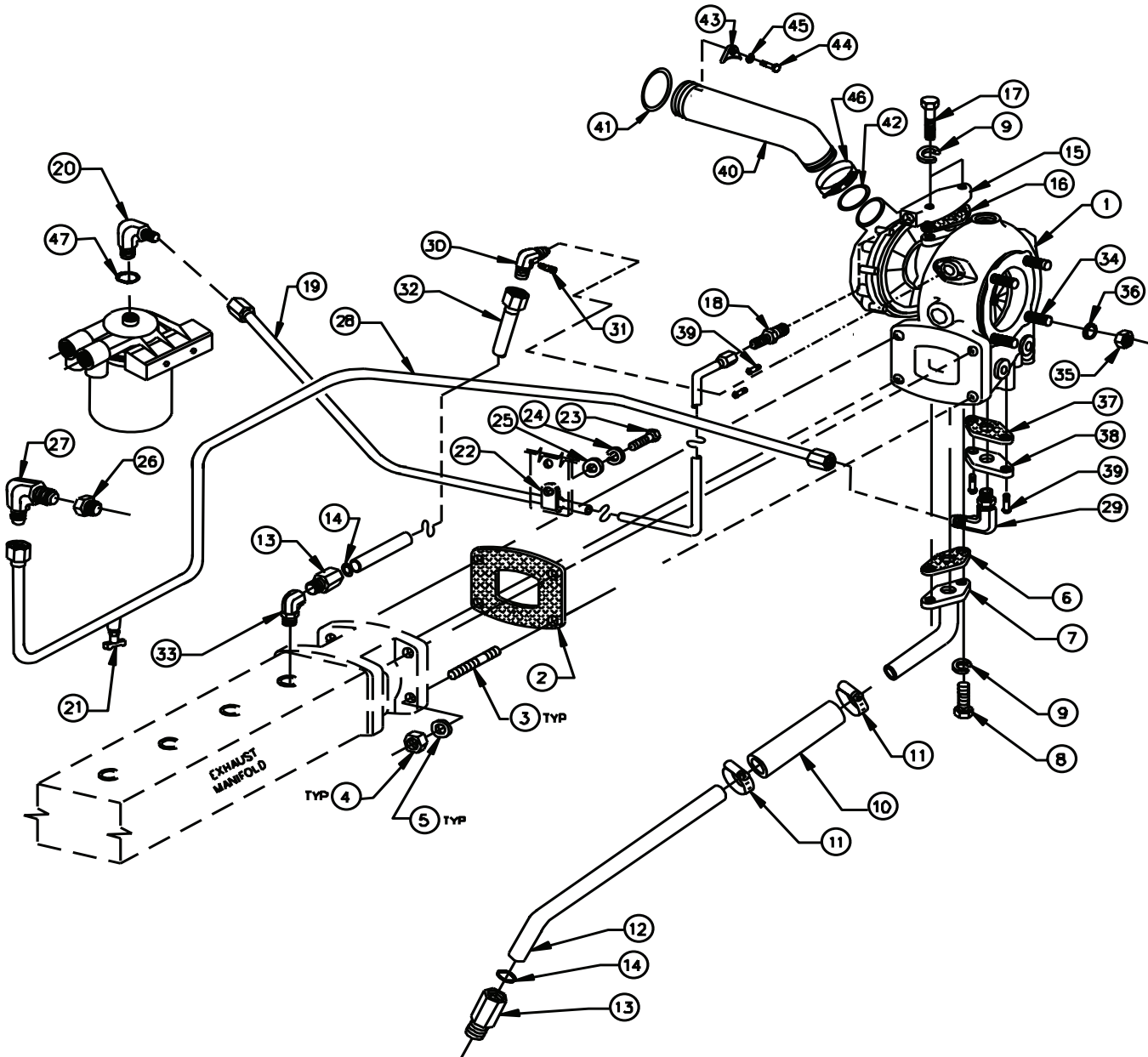
L1066H & M1066H

KEY	PART NUMBER	QTY	DESCRIPTION	SERIAL NUMBER
1	10-29601	1	Manifold, Intake and Aftercooler	-
2	R515030	1	Gasket	-
3	19M7785	10	Capscrew, Hex Head Flanged M10 x 1.5 x 25 mm	-
4	20-29601-1	1	Element, Intake Aftercooler	-
5	16-09601	2	O-ring	-
6	10-29602	1	Aftercooler Cover	-
7	19M7865	40	Capscrew, Hex Head Flanged M8 x 1.25 x 16 mm (Grade 10.9)	-
8	12-00732	2	Capscrew, Hex Head M8 x 1.25 x 160 mm (Grade 8.8)	-
9	12-00732	2	Capscrew, Hex Head M8 x 1.25 x 160 mm (Grade 8.8)	-
10	15-00706	4	Flat Washer M8 S/S	-
11	10-29503	1	Aftercooler Cover	-
12	10-29502	1	Aftercooler Cover	-
13	16-09504	2	O-ring	-
14	28-09501	3	Threaded Plate (3 Places)	-
15	28-09502	2	Threaded Plate (2 Places)	-
16	19M7866	13	Capscrew, Hex Head Flanged, M8 x 1.25 x 20 mm (Grade 10.9)	-
17	19M7867	4	Capscrew, Hex Head Flanged, M8 x 1.25 x 25 mm (Grade 10.9)	-
18	14M7298	4	Hex Nut, Flanged M8 x 1.25	-
19	27-09501	1	Connector, Raw Water Pump Outlet	-
20	27-09502	1	Connector, Aftercooler Outlet	-
21	16-13101	2	O-ring	-
22	21-00027	**	Plug, Socket Head Brass 1/8 NPT	-
23	21-10002	1	Drain Cock Brass 1/4 NPT	-
24	18-26002	3	Hose, 2" ID x 3-3/4" 3 Ply Silicone	-
25	19-01032	6	Hose Clamp #32	-
26	27-19510	1	Tube, Heat Exchanger Inlet	-
27	00-29601	1	Heat Shield, Aftercooler	-
28	12-99757	11	Capscrew, Button Head Socket M8 x 1.25 x 16 mm S/S	-
29	15-99707	11	Wave Washer M8 S/S	-
30	19M8320	4	Capscrew, Hex Head Flanged, M10 x 1.5 x 45 mm (Grade 10.9)	-
31	21-29504	1	Drain, Aftercooler Condensate S/S	-
32	13-85001	2	Stud, M10 x 1.5 x 45 mm (57 mm LOA Grade 8.8)	-
33	14-80811	2	Hex Nut, Flanged M10	-
34	21-09516	1	Male Connector S/S 3/8- 37T x 3/8 O-R Port	-
35	27-29605	1	Tube Assembly, Aftercooler Condensate	-
36	19-72252	1	Adelle Clamp	-
37	21-17302	1	Spacer, Steel	-
38	12-09753	1	Capscrew, Hex Head M8 x 1.25 x 30 mm	-

**As required

Turbocharger and Mounting Assembly

L1066H



A-10159 / C-5972

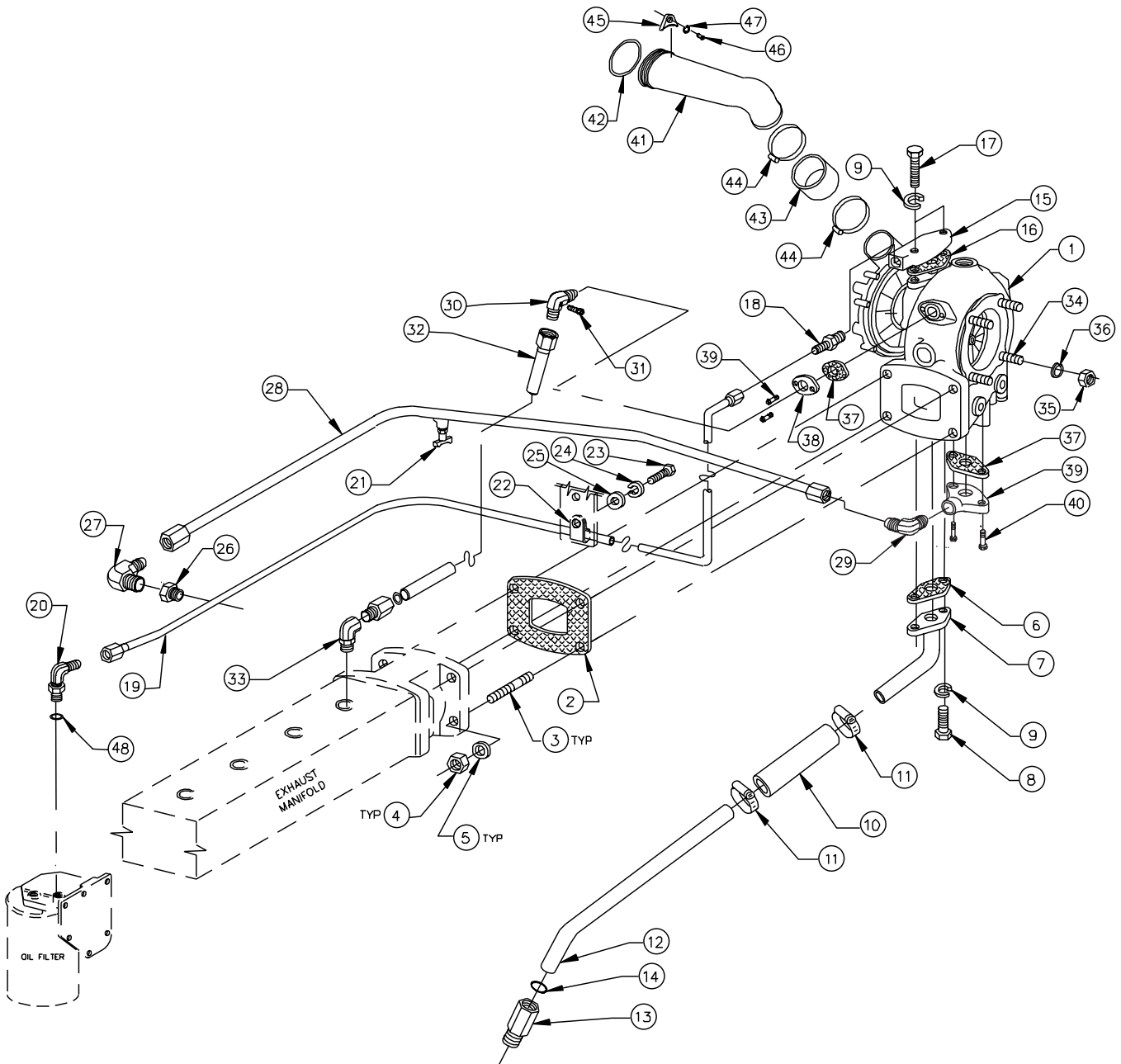
Turbocharger and Mounting Assembly

L1066H

KEY	PART NUMBER	QTY	DESCRIPTION	SERIAL NUMBER
1	30-39527	1	Turbocharger, K27	-
2	11-31615	1	Gasket, Turbo Mounting	-
3	13-00814	4	Stud, M10 x 1.5 x 30 mm	-
4	14-00817	4	Hex Nut, M10 x 1.5 S/S	-
5	15-00804	4	Wave Washer M10	-
6	11-31031	1	Gasket, Turbo Oil Return	-
7	27-31602	1	Pipe, Turbo Oil Return (Upper)	-
8	12-00711	2	Capscrew, Hex Head M8 x 1.25 x 20 mm	-
9	15-00702	4	Lock Washer, Helical M8	-
10	18-11010	1	Hose, 3/4" ID x 4-1/4" 3 Ply Silicone	-
11	19-01012	2	Hose Clamp, #12 Extended Band S/S	-
12	27-39504	1	Tube, Turbo Oil Return (Lower)	-
13	R41285	2	Adapter, O-ring Seal x 1/2 NPT	-
14	16-01000	2	O-ring	-
15	R43928	1	Adapter, Turbo Oil Supply	-
16	11-31012	1	Gasket	-
17	12-00714	2	Capscrew, Hex Head M8 x 1.25 x 40 mm	-
18	21-52800	1	Male Connector, Steel 3/8 NPT x 3/8- 37T	-
19	27-39612	1	Tube Assembly	-
20	21-09501	1	Male Elbow, 90° Steel M16 x 1.5 x 3/8- 37T	-
21	21-10002	1	Drain Cock, Brass 1/4 NPT	-
22	19-72252	1	Adelle Clamp 3/8" ID x 3/8" Stud	-
23	12-00751	1	Capscrew, Hex Head M8 x 1.25 x 16 mm	-
24	15-00702	1	Lock Washer, Helical M8	-
25	15-00701	1	Flat Washer M8	-
26	21-09512	1	Female Adapter, Steel 3/4 O-ring port	-
27	21-00032	1	Male Elbow 90°, Steel 3/4 O-ring port	-
28	27-19609	1	Tube Assembly, Turbo Coolant Supply	-
29	21-62600	1	Male Elbow, 90° Steel 5/8 O-ring port x 3/4- 37T	-
30	21-14817	1	Male Elbow, 90° Steel M22 x 1.5 x 3/4- 37T	-
31	21-10001	1	Drain Cock, Brass 1/8 NPT	-
32	27-39601	1	Tube Assembly, Turbo Coolant Return	-
33	21-03459	1	Female Elbow 90° Steel, 5/8 O-ring port	-
34	13-00814	4	Stud, M10 x 1.5 x 30 mm	-
35	14-00817	4	Hex Nut, M10 x 1.5 S/S	-
36	15-00804	4	Wave Washer, M10	-
37	11-15704	1	Gasket	-
38	31-15703	1	Adapter, Turbo Coolant Port Connection	-
39	12-11131	2	Capscrew, Flathead Socket M6 x 1.0 x 20 mm	-
40	27-29601	1	Connector, Air Inlet	-
41	16-25701	1	O-ring	-
42	16-29601	1	O-ring	-
43	00-29501	1	Clip, Air Inlet Tube Retainer	-
44	12-09712	1	Capscrew, Hex Head M8 x 1.25 x 25 mm	-
45	15-99707	1	Wave Washer, M8 S/S	-
46	19-29601	1	V-clamp	-
47	51M7042	1	O-ring	-

Turbocharger and Mounting Assembly

M1066H



A-10372/ C-5591

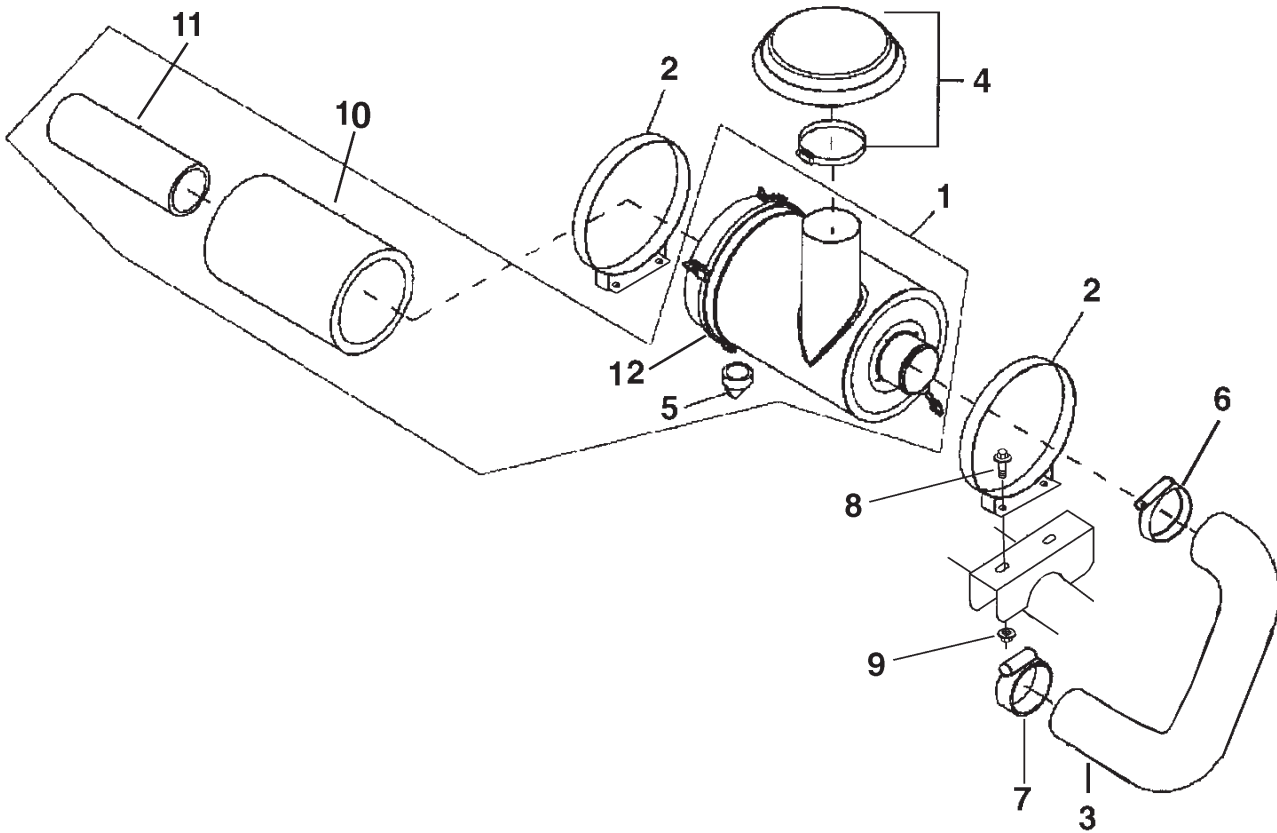
Turbocharger and Mounting Assembly

M1066H

KEY	PART NUMBER	QTY	DESCRIPTION	SERIAL NUMBER
1	30-30027	1	Turbocharger, K27	-
2	11-31615	1	Gasket, Turbo/ Exhaust Mounting	-
3	13-00814	4	Stud, M10 x 1.5 x 30 mm	-
4	14-00818	4	Hex Nut M10 x 1.5 S/S	-
5	15-00804	4	Wave Washer M10	-
6	11-31031	1	Gasket, Turbo Oil Return	-
7	27-31602	1	Tube, Turbo Oil Return	-
8	12-00711	2	Capscrew, Hex Head M8 x 1.25 x 20 mm	-
9	15-00702	4	Lock Washer, Helical M8	-
10	18-11010	1	Hose, 3/4" ID x 4-1/4" 3 Ply Silicone	-
11	19-01012	2	Hose Clamp #12 Extended Band S/S	-
12	27-39504	1	Tube, Turbo Oil Return	-
13	R41285	2	Adapter, O-ring Seal x 1/2 NPT	-
14	16-01000	2	O-ring	-
15	R43928	1	Adapter, Turbo Oil Supply	-
16	11-31012	1	Gasket	-
17	12-00714	2	Capscrew, Hex Head M8 x 1.25 x 40 mm	-
18	21-52800	1	Male Connector, Steel 3/8 NPT x 3/8-37T	-
19	27-09601	1	Tube Assembly, Turbo Oil Supply	-
20	21-09501	1	Male Elbow 90° Steel, M16 x 1.5 x 3/8-37T	-
21	21-10002	1	Drain Cock, Brass 1/4 NPT	-
22	19-72252	1	Adelle Clamp, 3/8" ID x 3/8" Stud	-
23	12-00751	1	Capscrew, Hex Head M8 x 1.25 x 16 mm	-
24	15-00702	1	Lock Washer, Helical M8	-
25	15-00701	1	Flat Washer M8	-
26	21-09512	1	Female Adapter Steel 3/4" NPT x 1-1/4 O-ring Port	-
27	21-00032	1	Male Elbow 90° Steel 3/4" O-ring Port x 3/4-37T	-
28	27-19611	1	Tube Assembly, Turbo Coolant Supply	-
29	21-62600	1	Male Elbow 90° Steel 5/8 O-ring Port x 3/4-37T	-
30	21-35003	1	Male Elbow 90° Steel 5/8 O-ring Port x 3/4-37T	-
31	21-10001	1	Drain Cock, Brass 1/8 NPT	-
32	27-39607	1	Tube Assembly, Turbo Coolant Return	-
33	21-03459	1	Female Elbow 90° Steel 5/8 O-ring Port	-
34	13-00814	4	Stud, M10 x 1.5 x 30 mm (42 mm LOA, Grade 8.8)	-
35	14-00817	4	Hex Nut M10 x 1.5 S/S	-
36	15-00804	4	Wave Washer M10	-
37	11-15704	2	Gasket, Block-off/ Adapter Mounting	-
38	31-15703	1	Adapter, Turbo Coolant Port Connector	-
39	31-19601	1	Adapter, Turbo Coolant Inlet	-
40	12-11131	4	Capscrew, Flat head Socket M6 x 1.0 x 20 mm Grade 10.9	-
41	27-29402	1	Air Inlet Connector	-
42	16-25701	1	O-ring	-
43	18-29502	1	Hose, 2" ID x 3-1/2" 4 Ply Silicone	-
44	19-01028	2	Hose Clamp #28 Extended Band S/S	-
45	00-29501	1	Clip, Air Inlet Tube Retainer	-
46	12-09712	1	Capscrew, Hex Head M8 x 1.25 x 25 mm S/S	-
47	15-00705	1	Lock Washer, Helical M8 S/S	-
48	51M7042	1	O-ring	-

Air Filter

NL1066T



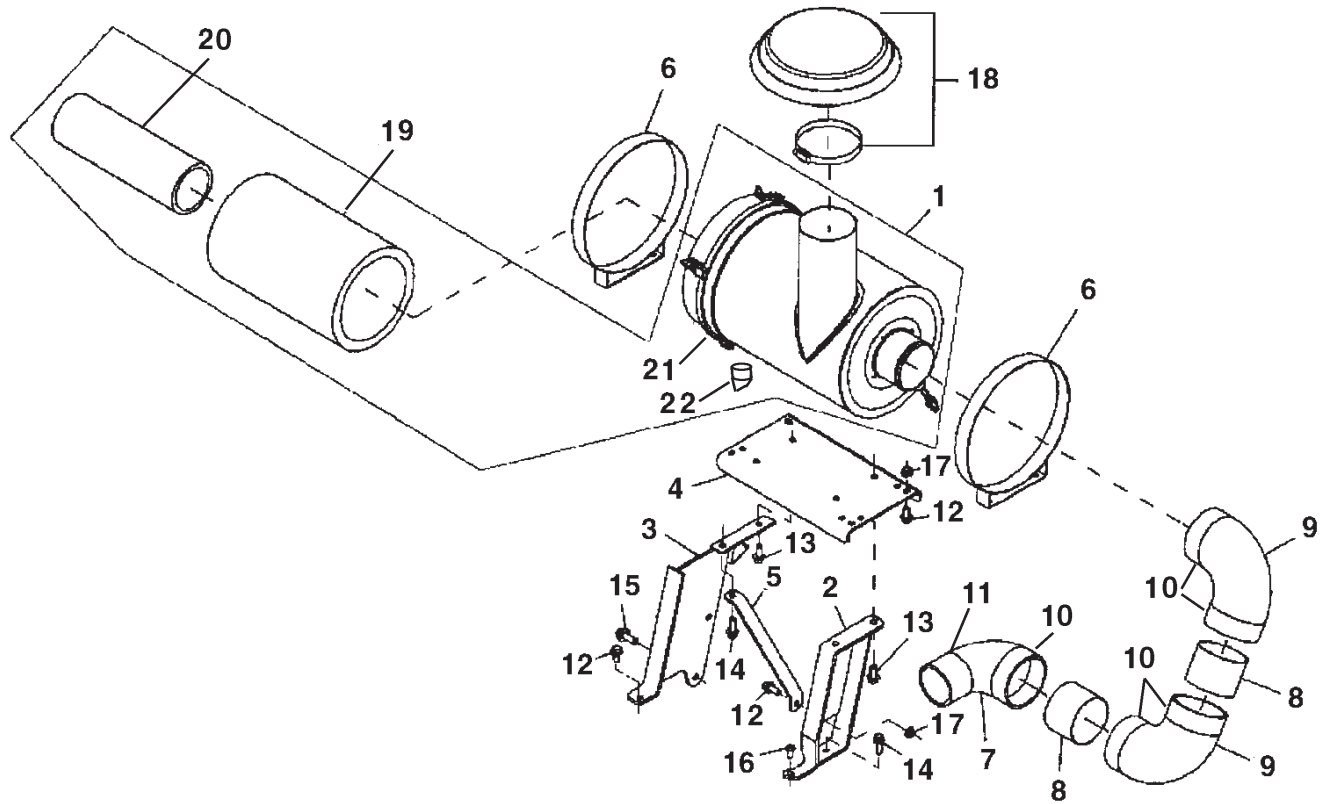
Reproduced by permission of Deere & Co., c2006. Deere & Company. All rights reserved.

RGP11572z

KEY	PART NUMBER	QTY	DESCRIPTION	SERIAL NUMBER
1	AT225535	1	Air Filter Assembly (includes keys 5 & 10-12)	-
2	AR64937	2	Band, Air Filter Mtg.	-
3	R128438	1	Hose, Air Intake	-
4	AT175358	1	Rain Hood	-
5	R48568	1	Drain Valve, Rubber	-
6	AT56657	1	Hose Clamp	-
7	AT50923	1	Hose Clamp	-
8	19M7785	4	Capscrew, Flange Head M10 x 1.5 x 25 mm	-
9	14-80811	4	Hex Nut M10 x 1.5	-
10	AT225338	1	Air Filter Element - Outer (Primary)	-
11	AT225339	1	Air Filter Element - Inner (Secondary)	-
12	AT178515	1	Cover	-

Air Filter

NL1066H1, H2



Reproduced by permission of Deere & Co., c2006. Deere & Company. All rights reserved.

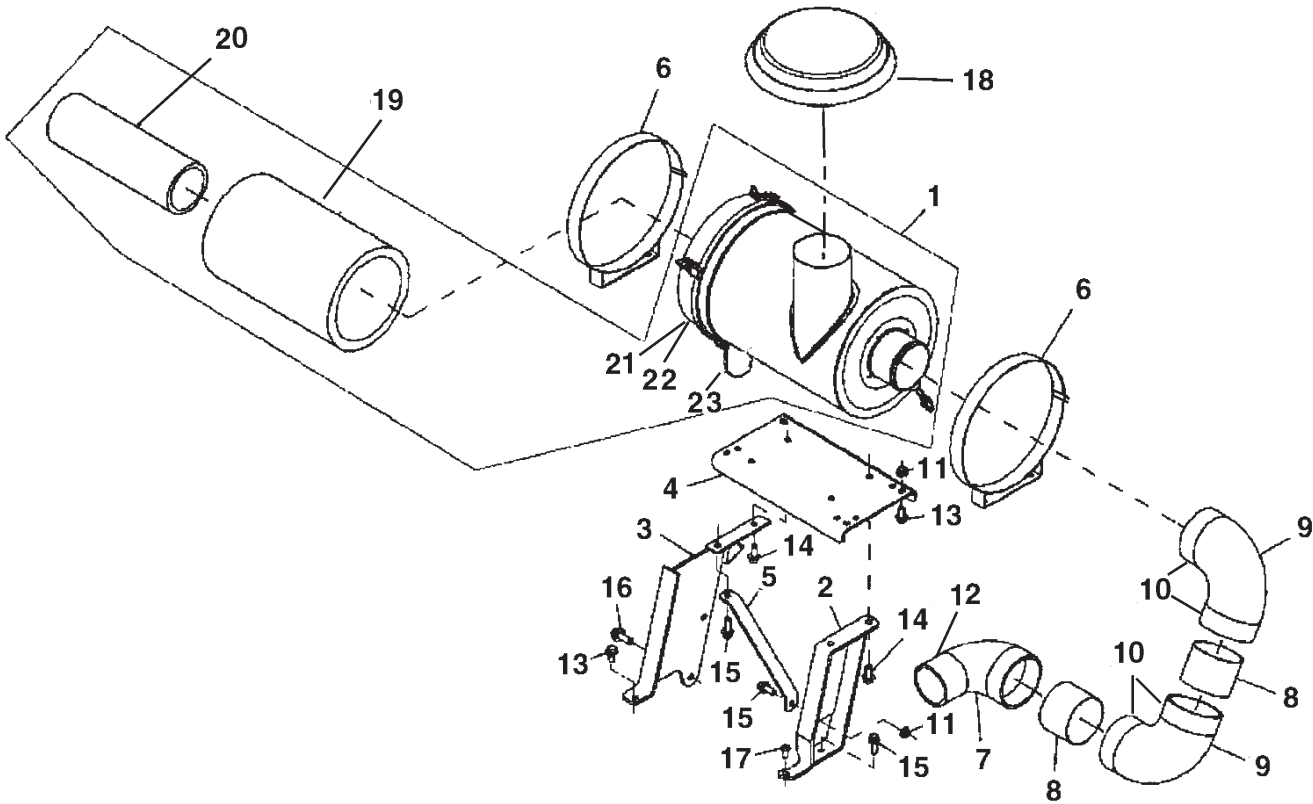
RGP11572

KEY	PART NUMBER	QTY	DESCRIPTION	SERIAL NUMBER
1	AT225535	1	Air Filter Assembly (includes keys #19- 22)	-
2	RE519630	1	Bracket	-
3	RE519631	1	Bracket	-
4	R517432	1	Plate	-
5	R517431	1	Brace	-
6	AR64937	2	Band, Air Filter Mtg.	-
7	H76357	1	Hose 90°	-
8	R517439	2	Tube 4" O.D.	-
9	H88782	2	Hose 90° 4" I.D.	-
10	TY22475	5	Hose Clamp #80	-
11	TY22473	1	Hose Clamp #52	-
12	19M7784	5	Capscrew, Hex Head Flanged M10 x 1.5 x 20 mm	-
13	19M7785	4	Capscrew, Hex Head Flanged M10 x 1.5 x 25 mm	-
14	12-80832	2	Capscrew, Hex Head Flanged M10 x 1.5 x 30 mm	-
15	19M7789	1	Capscrew, Hex Head Flanged M12 x 1.75 x 30 mm	-
16	21M7442	1	Screw	-
17	14-80811	5	Hex Nut, Flanged M10 x 1.5	-
18	AT175358	1	Rain Hood	-
19	AT225338	1	Element, Primary	-
20	AT225339	1	Element, Secondary	-
21	AT178515	1	Cover	-
22	R48568	1	Valve	-

GROUP 2 - INTAKE AND EXHAUST SYSTEMS

Air Filter

NL1066H3



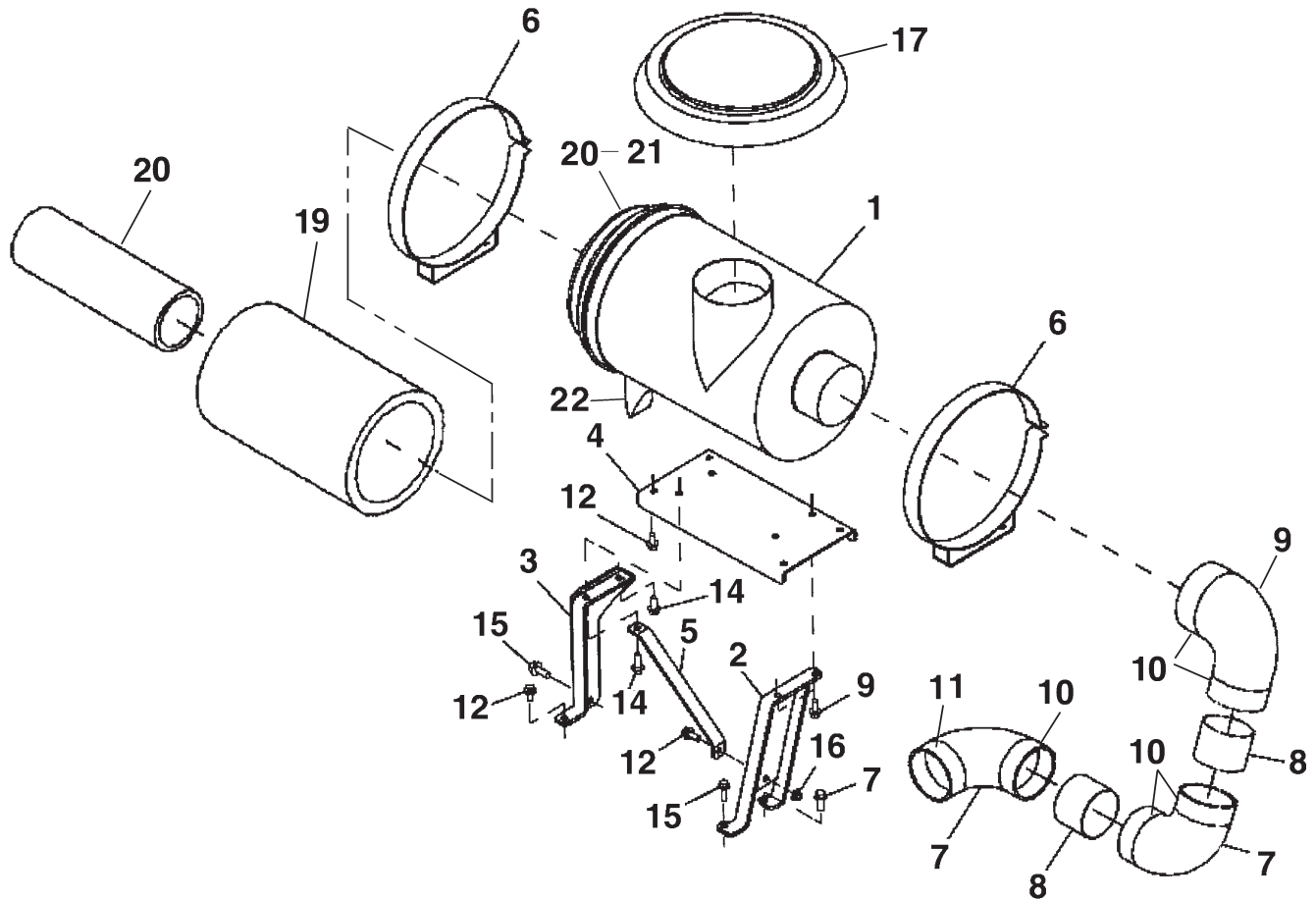
Reproduced by permission of Deere & Co., c2006. Deere & Company. All rights reserved.

RGP11573

KEY	PART NUMBER	QTY	DESCRIPTION	SERIAL NUMBER
1	F301161	1	Air Filter Assembly	-
2	RE519630	1	Bracket	-
3	RE519631	1	Bracket	-
4	R517432	1	Plate	-
5	R517431	1	Brace	-
6	AT136715	2	Band, Air Filter Mtg.	-
7	R132527	1	Hose - Reducing 90, 5" I.D. x 4" I.D.	-
8	R517439	2	Tube 4" O.D.	-
9	H88782	1	Hose 90° 4" I.D.	-
10	TY22475	5	Hose Clamp #80	-
11	14-80811	5	Hex Nut, Flanged M10 x 1.5	-
12	TY22492	1	Hose Clamp	-
13	19M7784	5	Capscrew, Hex Head Flanged M10 x 1.5 x 20 mm	-
14	19M7785	4	Capscrew, Hex Head Flanged M10 x 1.5 x 25 mm	-
15	12-80832	2	Capscrew, Hex Head Flanged M10 x 1.5 x 30 mm	-
16	19M7789	1	Capscrew, Hex Head Flanged M12 x 1.75 x 30 mm	-
17	21M7442	1	Screw	-
18	RE11158	1	Rain Cap	-
19	AT175223	1	Filter Element, Primary	-
20	AT175224	1	Filter Element, Secondary	-
21	AT175222	1	Cover	-
22	T158495	1	Valve	-
23	T161929	1	O-ring	-

Air Filter

NL1066H4



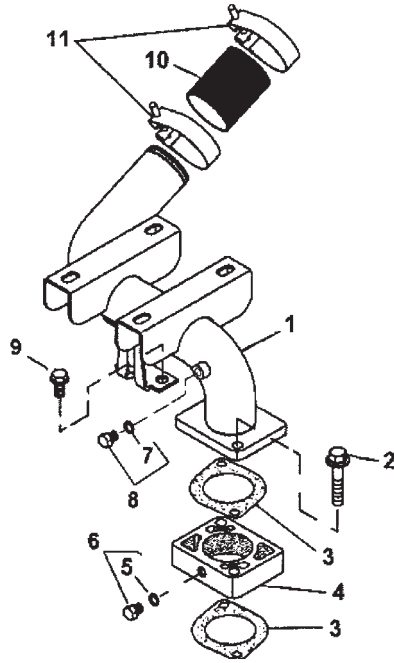
Reproduced by permission of Deere & Co., c2006. Deere & Company. All rights reserved.

RGP11571

KEY	PART NUMBER	QTY	DESCRIPTION	SERIAL NUMBER
1	F301161	1	Air Filter Assembly (includes keys 19- 22)	-
2	RE519632	1	Bracket	-
3	RE519633	1	Bracket	-
4	R517425	1	Plate	-
5	R517424	1	Brace	-
6	AT136715	2	Band, Air Filter Mtg.	-
7	H88782	2	Hose - 90° 4" I.D.	-
8	R517439	2	Tube 4" O.D.	-
9	R132527	1	Hose, Reducing 90° 5" I.D. x 4" I.D.	-
10	TY22475	5	Hose Clamp #80	-
11	TY22492	1	Hose Clamp	-
12	19M7784	5	Capscrew, Hex Head Flanged M10 x 1.5 x 20 mm	-
13	19M7785	4	Capscrew, Hex Head Flanged M10 x 1.5 x 25 mm	-
14	12-80832	2	Capscrew, Hex Head Flanged M10 x 1.5 x 30 mm	-
15	19M7789	2	Capscrew, Hex Head Flanged M12 x 1.75 x 30 mm	-
16	14-80811	4	Hex Nut, Flanged M10 x 1.5	-
17	RE11158	1	Rain Cap	-
18	AT175223	1	Filter Element, Primary	-
19	AT175224	1	Filter Element, Secondary	-
20	AT175222	1	Cover	-
21	T161929	1	O-ring	-
22	T158495	1	Valve	-

Air Intake

NL1066A1, A2, A3



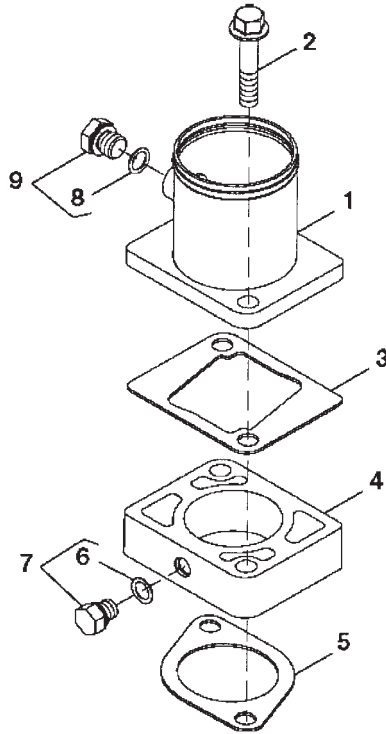
Reproduced by permission of Deere & Co., c2006. Deere & Company. All rights reserved.

RGP11371

KEY	PART NUMBER	QTY	DESCRIPTION	SERIAL NUMBER
1	RE518655	1	Intake Manifold (also order key #3)	-
2	19M8528	2	Screw, M10 x 55 mm	-
3	R81275	2	Gasket	-
4	R501472	1	Spacer (also order key #3)	-
5	51M7039	1	O-ring	-
6	RE60071	1	Fitting	-
7	51M7041	1	O-ring	-
8	RE46684	1	Plug	-
9	19M7785	1	Screw	-
10	R500596	1	Hose	-
11	R110531	2	Clamp	-

Air Intake

NL1066H1, H2, H3



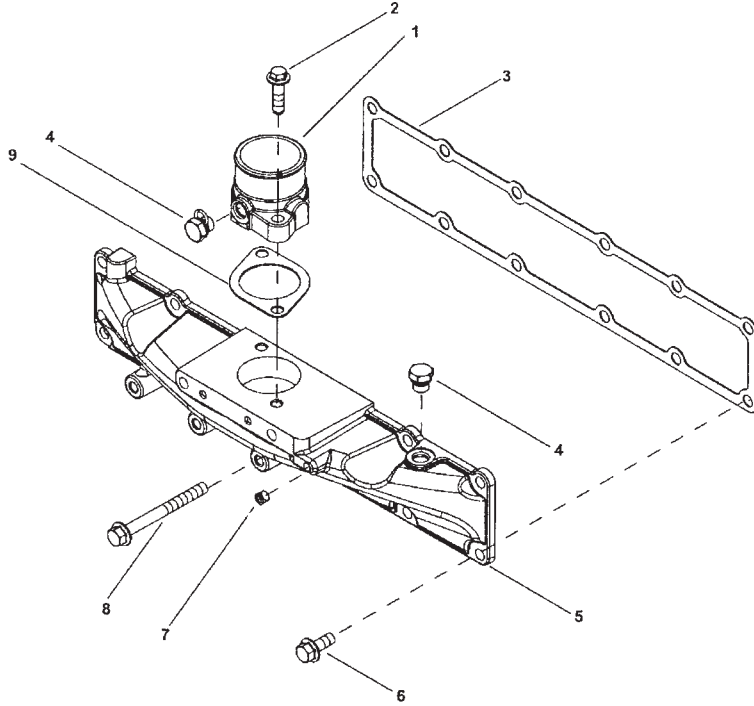
Reproduced by permission of Deere & Co., c2006. Deere & Company. All rights reserved.

RGP7801

KEY	PART NUMBER	QTY	DESCRIPTION	SERIAL NUMBER
1	RE508742	1	Air Intake	-
2	19M8292	2	Capscrew, M10 x 50 mm	-
3	R81275	1	Gasket	-
4	R501472	1	Spacer	-
5	R81275	1	Gasket	-
6	51M7039	1	O-ring	-
7	RE60071	1	Fitting	-
8	51M7041	1	O-ring	-
9	RE46684	1	Plug	-

Air Intake

NL1066H

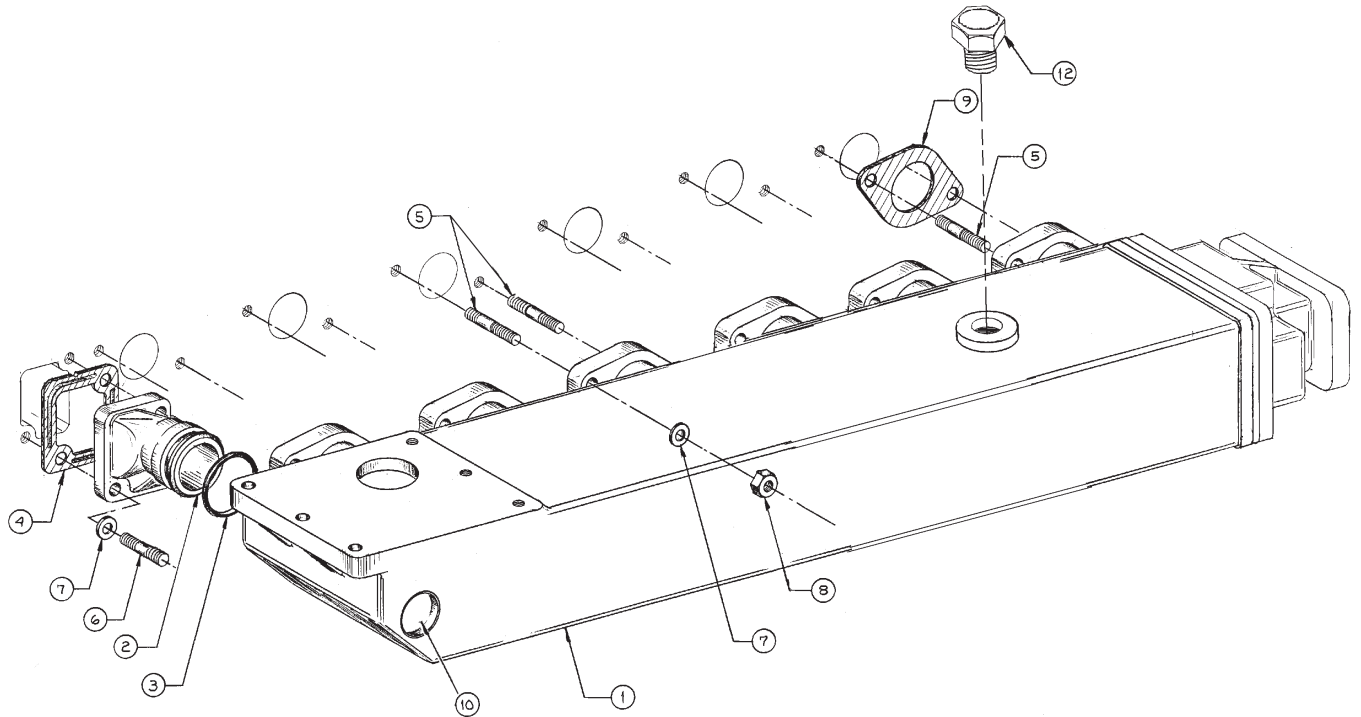


Reproduced by permission of Deere & Co., c2006. Deere & Company. All rights reserved.

RE516480PCDD01

KEY	PART NUMBER	QTY	DESCRIPTION	SERIAL NUMBER
1	R505166	1	Air Intake	-
2	R500394	2	Screw	-
3	R515030	1	Gasket	-
4	RE46684	2	Plug	-
5	R515029	1	Intake Manifold	-
6	19M7785	10	Capscrew, M10 x 25 mm	-
7	R104592	1	Pipe Plug	-
8	19M7812	2	Capscrew, M10 x 100 mm	-
9	R81275	1	Gasket	-

Exhaust Manifold - Marine Application

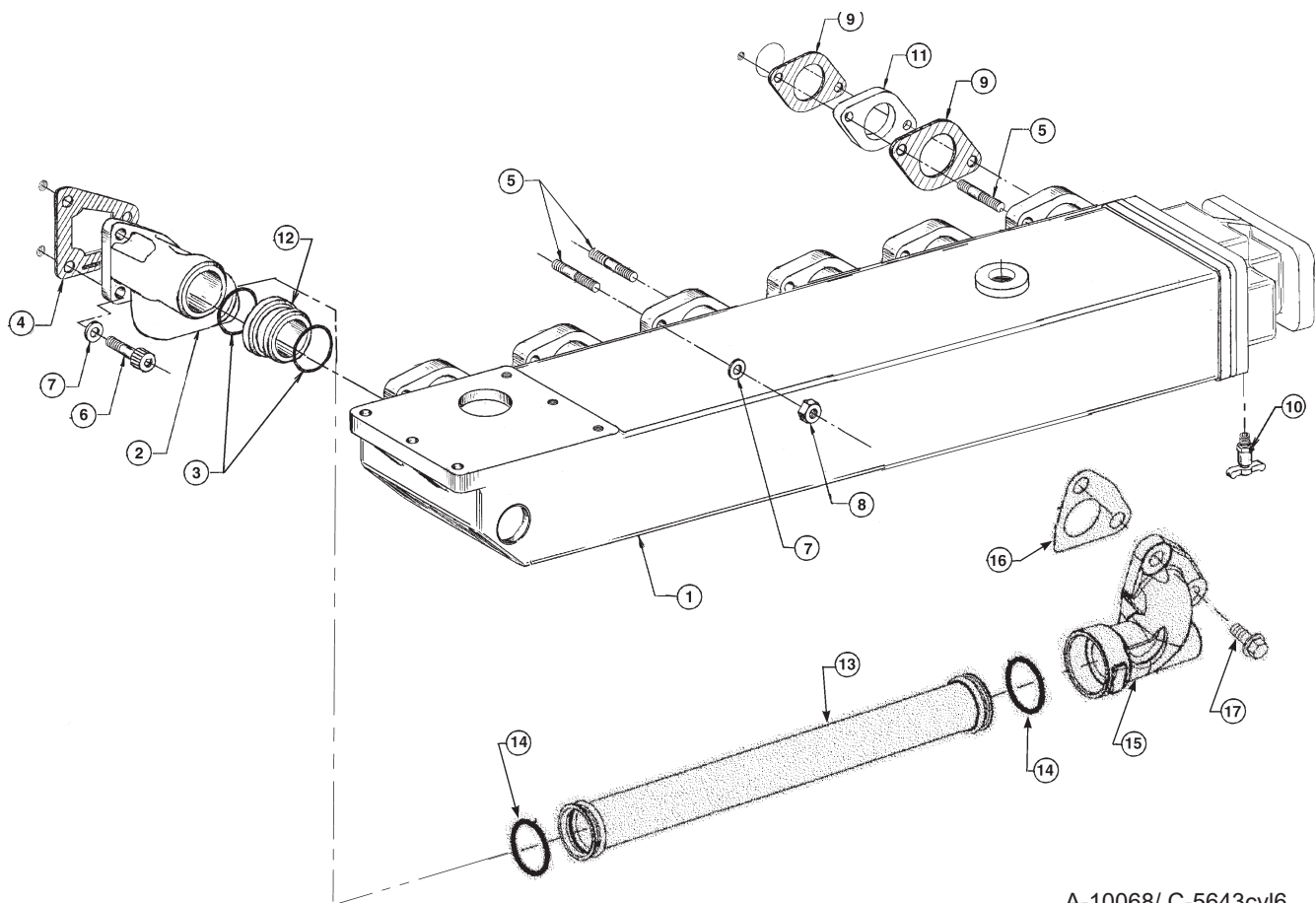


A-8397/ C-2632

KEY	PART NUMBER	QTY	DESCRIPTION	SERIAL NUMBER
1	10-39602	1	Exhaust Manifold Assembly w/ Dry Flange*	-
	10-39603	1	Exhaust Manifold Assembly w/ Wet Flange*	-
2	27-11012	1	Coolant Connector	-
3	16-31001	1	O-ring	-
4	11-39501	1	Gasket	-
5	13-34801	12	Stud, M10 x 1.5 x 35 mm	-
6	13-05001	2	Stud, M10 x 1.5 x 25 mm	-
7	15-00300	14	Washer (special)	-
8	14-00810	14	Hex Nut M10 x 1.5	-
9	11-31001	6	Gasket ***	-
10	17-10005	**	Expansion Plug, 2-1/8"	-
11	17-10001	**	Expansion Plug, 1-5/8"	-
12	21-12502	**	Plug	-
			* See Exhaust Manifold & Adapter Detail for components	
			** As required	
			*** NOTE: This gasket requires the mounting fasteners to be retorqued once engine has cooled down after one hour of engine operation.	

GROUP 2 - INTAKE AND EXHAUST SYSTEMS

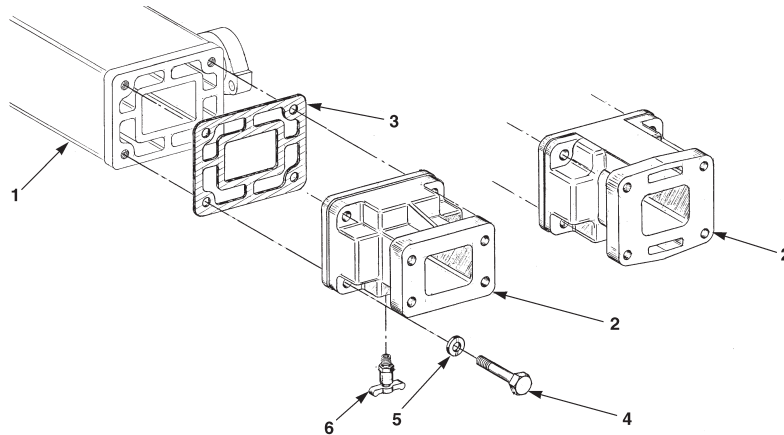
Exhaust Manifold - Marine Application 4 Valve



A-10068/ C-5643cyl6

KEY	PART NUMBER	QTY	DESCRIPTION	SERIAL NUMBER
1	10-39602	1	Exhaust Manifold Assembly w/ Dry Flange*	-
2	27-19509	1	Coolant Connector	-
3	16-31001	2	O-ring	-
4	11-39502	1	Gasket	-
5	13-00816	12	Stud, M10 x 1.5 x 50 mm	-
6	01437-01025	3	Capscrew 12 Pt. M10 x 1.5 x 25 mm	-
7	15-00300	15	Flat Washer (special)	-
8	14-00810	12	Hex Nut M10 x 1.5	-
9	11-31001	12	Gasket, Exhaust (previous # 11-31011) **	-
10	21-10001	1	Drain Cock, Brass 1/8 NPT	-
11	28-39501	6	Spacer Plate, Exhaust Manifold Mounting	-
12	31-19501	1	Adapter, Coolant Connector	-
13	RE516027	1	Tube (includes key #14 - marked R504755)	-
14	R63185	2	O-ring	-
15	R504754	1	Manifold	-
16	R505480	1	Gasket	-
17	19M7785	2	Screw	-
<p>** NOTE: This gasket requires the mounting fasteners to be retorqued once engine has cooled down after one hour of engine operation.</p>				

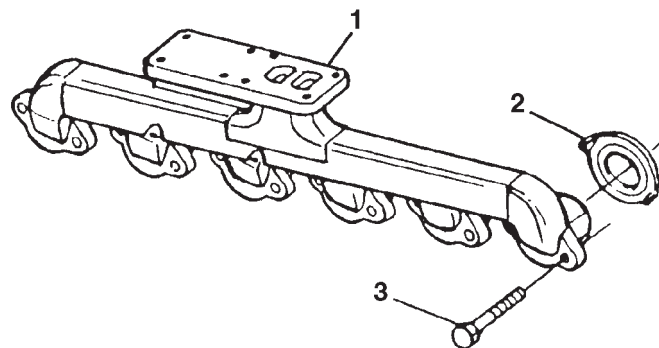
Exhaust Manifold and Adapter - Marine Application



A4653, A4654,
A4655/ C-2648

KEY	PART NUMBER	QTY	DESCRIPTION	SERIAL NUMBER
1	10-39601	1	Exhaust Manifold	-
2	10-31513	1	Dry Exhaust Flange Adapter	-
	10-31506	1	Wet Exhaust Flange for Turbo Mounting	-
3	11-30013	1	Gasket	-
4	12-00414	4	Capscrew, Hex Head, 7/16-14 x 1-1/2	-
5	15-00402	4	Lock Washer, 7/16	-
6	21-10001	1	Drain Cock, 1/8 NPT	-

Exhaust Manifold NL1066 all



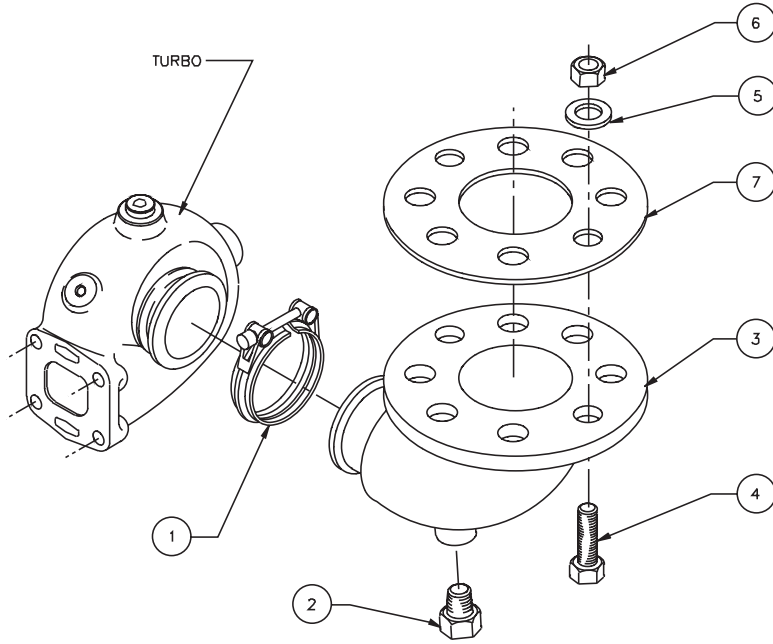
RG6517

Reproduced by permission of Deere & Co., c2006. Deere & Company. All rights reserved.

KEY	PART NUMBER	QTY	DESCRIPTION	SERIAL NUMBER
1	R132262	1	Exhaust Manifold	-
2	R90658	6	Gasket	-
3	19M7810	12	Screw, M10 x 80	-

3" Dry Exhaust Elbow

M1066T 1 ϕ and 3 ϕ , M99C2, M1066A1-A2 @ 1500 RPM

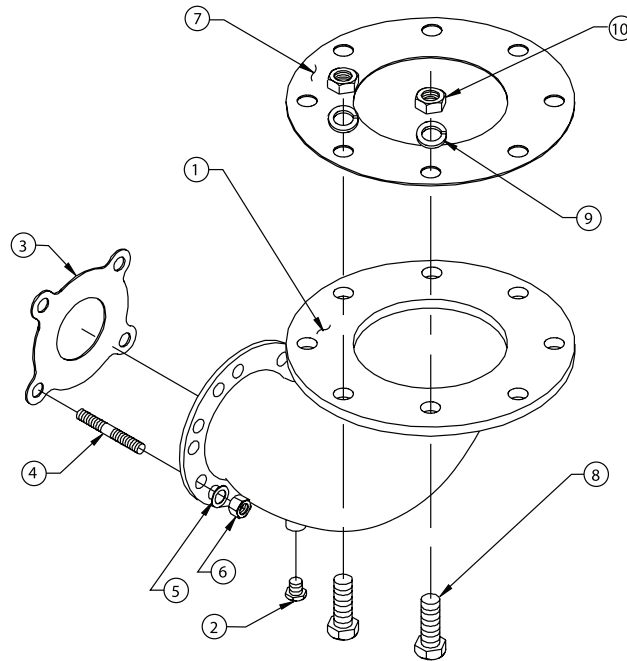


A-6337/ B-4638

KEY	PART NUMBER	QTY	DESCRIPTION	SERIAL NUMBER
1	19-31401	1	V-Clamp	-
2	21-31002	1	Plug, Square Head Brass 3/8 NPT	-
3	27-31407	1	Dry Exhaust Elbow 3" (with 4" Flange - Standard)	-
	27-39502	1	Dry Exhaust Elbow - Sound Enclosure Applications (M1066T 3 ϕ)	-
	27-39614	1	Dry Exhaust Elbow - Sound Enclosure Applications (M1066T 1 ϕ and M1066A1-A2 @1500 RPM)	-
4	12-00916	8	Capscrew, Hex Head, 5/8-11 x 2"	-
5	15-00902	8	Lock Washer, Helical 5/8	-
6	14-00911	8	Hex Nut 5/8-11	-
7	11-31099	1	Gasket	-

4" Dry Exhaust Elbow

L1066T- A- H All, M1066A1- A2 @1800 RPM, and M1066A3- H

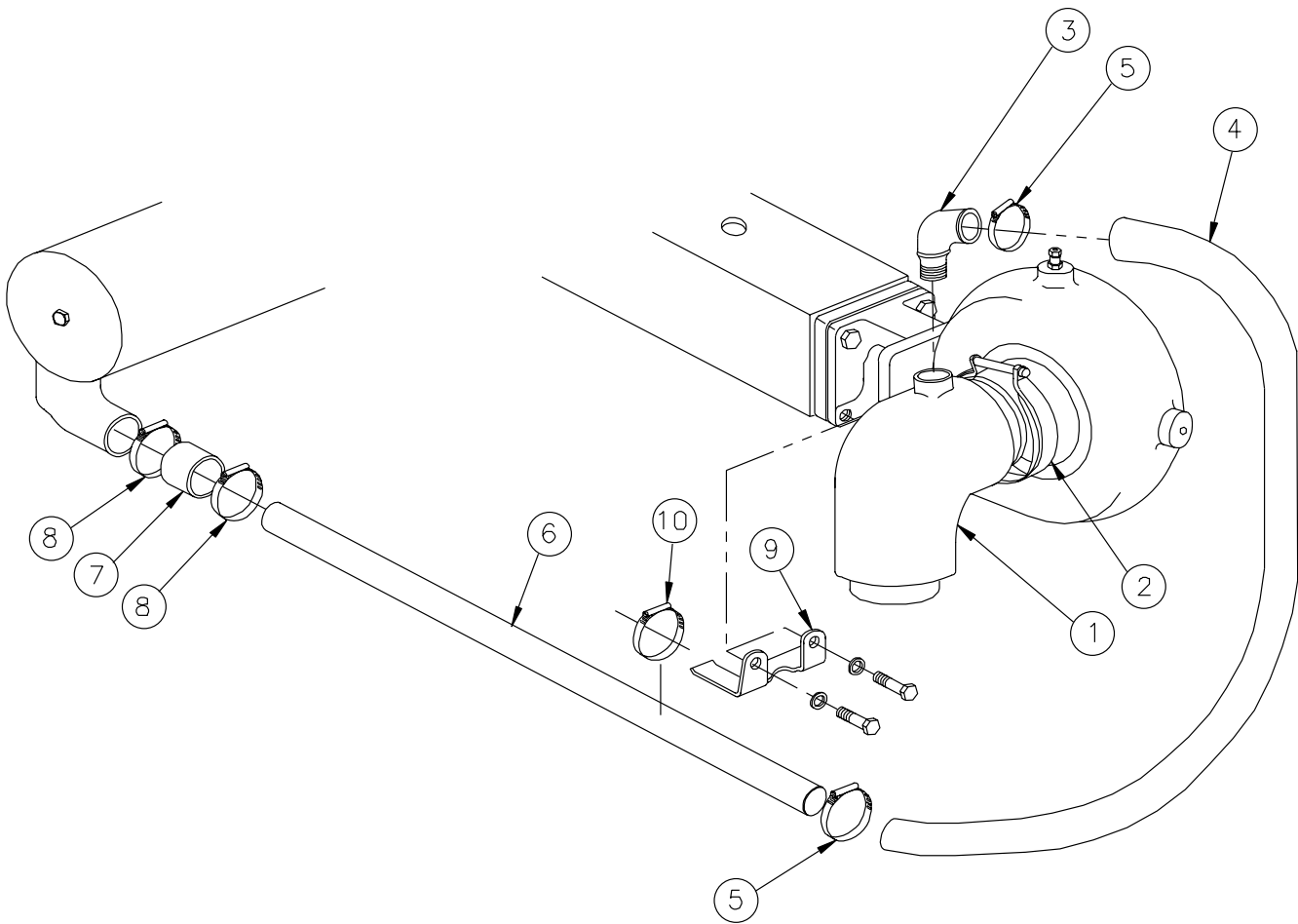


A-1102C/ B-2614B

KEY	PART NUMBER	QTY	DESCRIPTION	SERIAL NUMBER
1	27-32511	1	Dry Exhaust Elbow 4" - Standard	-
	27-39604	1	Dry Exhaust Elbow - Sound Enclosure Applications	-
2	21-31002	1	Plug, Square Head Brass 3/8 NPT	-
3	11-31635	1	Gasket	-
4	13-00814	4	Stud, M10 x 1.5 x 30 mm	-
5	15-00804	4	Wave Washer, M10	-
6	14-00817	4	Hex Nut, Stainless Steel, M10 x 1.5 mm	-
7	11-31099	1	Gasket	-
8	12-00916	8	Capscrew, Hex Head 5/8-11 x 2.0"	-
9	15-00902	8	Lock Washer, Helical 5/8	-
10	14-00911	8	Hex Nut, 5/8-11	-

4" & 5" Wet Exhaust Elbow (Heat Exchanged Units)

M1066T, M99C2, M1066A1- A2 @1500



A-10403, A-8514, A-8512/ B-8609

4" & 5" Wet Exhaust Elbow (Heat Exchanged Units)

M1066T, M99C2, M1066A1- A2 @1500

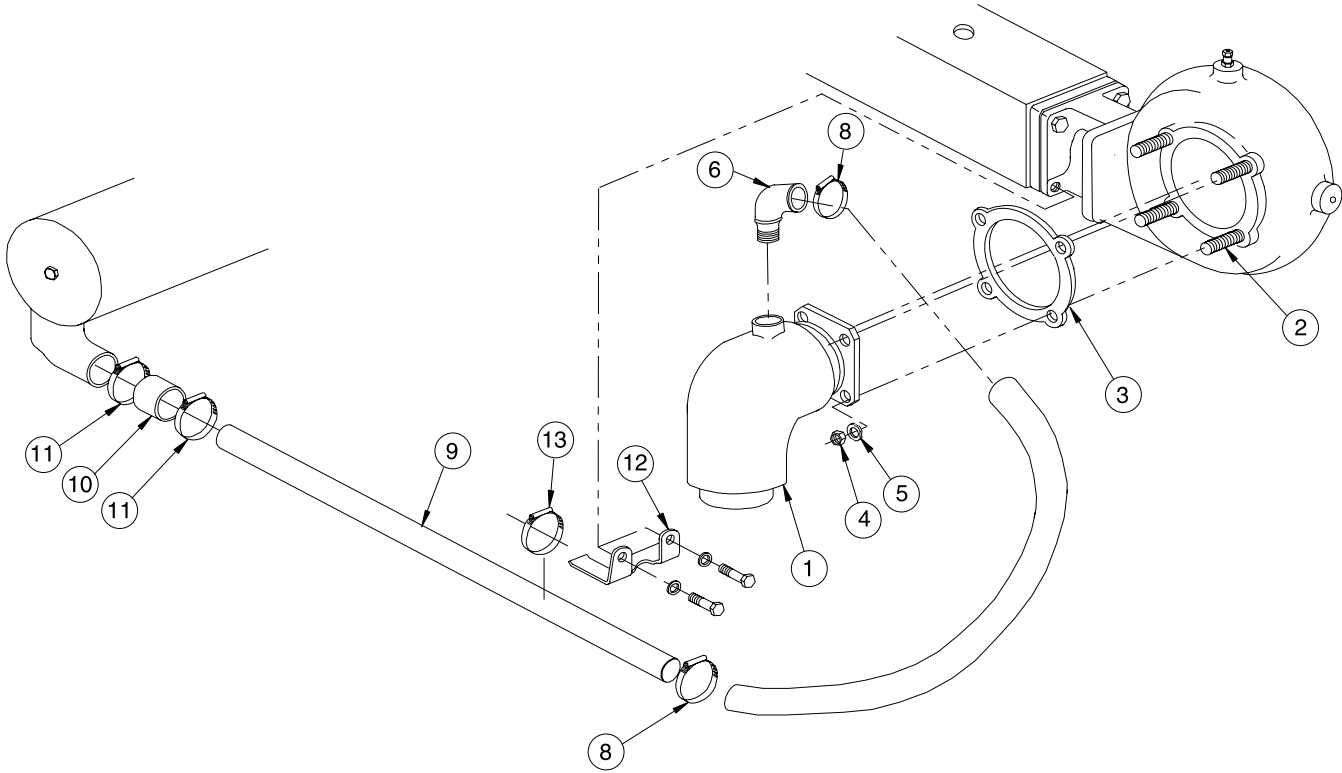
KEY	PART NUMBER	QTY.	DESCRIPTION	SERIAL NUMBER
1	27-31412	1	Elbow, Wet Exhaust 4" Cast Iron (M1066T & M1066A1)	-
	27-39509	1	Elbow, Wet Exhaust 4" S/S (optional on M1066T & M1066A1)	-
	27-30047	1	Elbow, Wet Exhaust 5" S/S (M1066A2)	-
2	19-31401	1	V-Clamp	-
3	21-31007	1	Male Elbow, 90° Copper 1" NPTx 1-1/4" HB (M1066T)	-
	21-31005	1	Male Elbow, 90° Copper 1" NPT x 1-5/8" HB (M1066A1)	-
	21-31015	1	Male Elbow, 90° Copper 1- 1/4" NPT x 1- 5/8" HB (M1066A2)	-
4	41-01070	24"	Hose, 1-1/4" ID, Wire Reinforced (M1066T)	-
	41-14801	36"	Hose, 1-5/8" ID, Wire Reinforced (M1066A1- A2)	-
5	19-00020	2	Hose Clamp, #20 (M1066T)	-
	19-00028	2	Hose Clamp, #28 (M1066A1- A2)	-
6	27-19601	1	Tube, Raw Water Discharge (M1066T)*	-
	27-19503	1	Tube, Raw Water Discharge (M1066T with flow switch)	-
	27-19606	1	Tube, Raw Water Discharge (M1066A1)*	-
7	18-19501	1	Hose, 1-1/4" ID x 2-1/2" 3 Ply Silicone (M1066T)	-
	18-26002	1	Hose, 2" ID x 2-3/4" 4 Ply Silicone (M1066A1- A2)	-
8	19-01020	2	Hose Clamp, #20 Extended Band S/S (M1066T)	-
	19-01032	2	Hose Clamp, #32 Extended Band S/S (M1066A1- A2)	-
9	23-19503	1	Bracket, Tube Support (M1066T)	-
	23-19510	1	Bracket, Tube Support (M1066A1- A2)	-
10	19-00016	1	Hose Clamp #16 (M1066T)	-
	19-00020	1	Hose Clamp #20 (M1066A1- A2)	-

*Not used on applications with the Raw Water Flow Switch

GROUP 2 - INTAKE AND EXHAUST SYSTEMS

5" Wet Exhaust Elbow (Heat Exchanged Units)

M1066A1- A2 @1800 RPM, M1066A3 - H, All

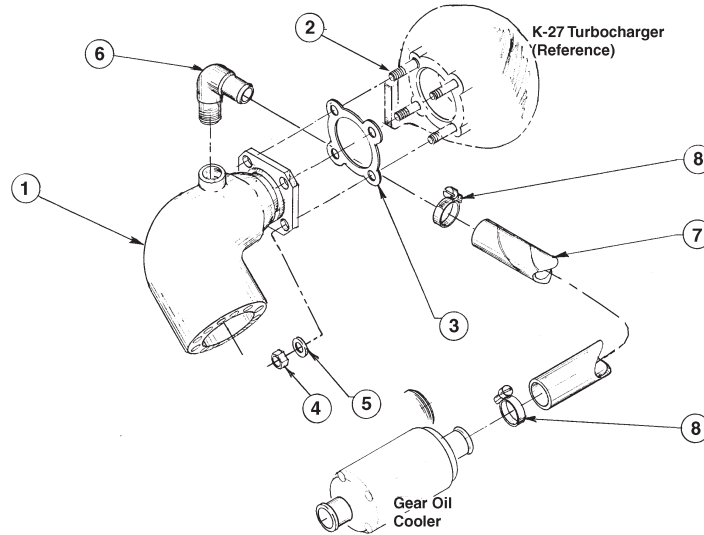


A-10404/ B-8609z

KEY	PART NUMBER	QTY	DESCRIPTION	SERIAL NUMBER
1	27-30048	1	Wet Exhaust Elbow 5" S/S	-
2	13-00814	4	Stud, M10 x 1.5 x 30 mm	-
3	11-31635	1	Gasket, Turbo Exhaust (K27)	-
4	14-00817	4	Hex Nut, M10 x 1.5 S/S	-
5	15-00804	4	Wave Washer M10	-
6	21-31015	1	Male Elbow, 90° Copper, 1-1/4 NPT x 1- 5/8" HB	-
7	41-14801	32	Hose, 1-5/8" I.D. Wire Reinforced	-
8	19-00024	2	Hose Clamp #24	-
9	27-19606	1	Tube, Raw Water Discharge S/S	-
10	18-26002	1	Hose, 2" I.D. x 3-3/4" 3 Ply Silicone	-
11	19-01028	2	Hose Clamp #28 Extended Band S/S	-
12	23-19507	1	Bracket, Tube Support	-
13	19-00028	1	Hose Clamp #28	-

5" Wet Exhaust Elbow (Heat Exchanged Units)

L1066



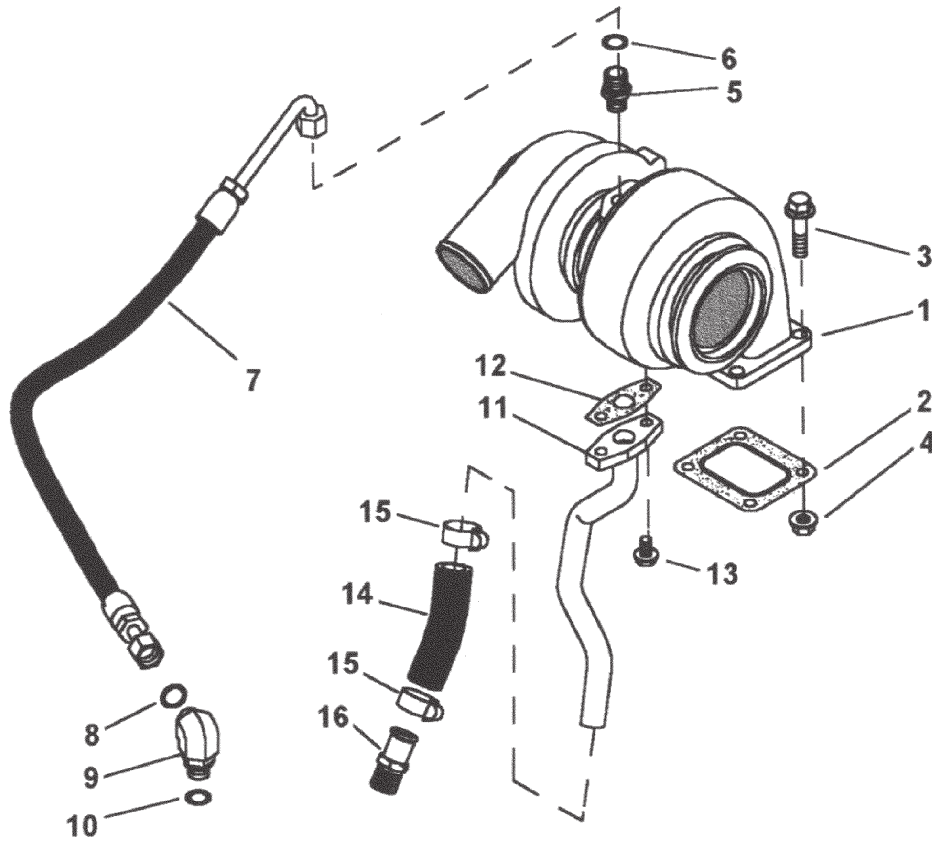
A-10814, A-3014/ C-1866

KEY	PART NUMBER	QTY	DESCRIPTION	SERIAL NUMBER
1	27-30048	1	Wet Exhaust Elbow 5" S/S (supercedes 27-31605 & 27-30031)	-
2	13-00814	4	Stud, M10 x 1.5 x 30 mm	-
3	11-31635	1	Gasket	-
4	14-00817	4	Hex Nut M10 x 1.5 Stainless Steel	-
5	15-00804	4	Wavewasher M10	-
6	21-31008	1	Male Elbow 90° Copper 1-1/4" NPT x 1-1/4" HB (L1066T)	-
	21-19503	1	Male Elbow 90° Copper 1-1/4" NPT x 1-3/4" HB (L1066A- H)	-
7	41-01070	32"	Hose 1- 1/4" I.D. Wire Reinforced (L1066T)	-
	41-01092	36"	Hose 1- 3/4" I.D. Wire Reinforced (L1066A- H)	-
8	19-00016	2	Hose Clamp #16 (L1066T)	-
	19-00032	2	Hose Clamp #32 (L1066A- H)	-

GROUP 2 - INTAKE AND EXHAUST SYSTEMS

Turbocharger

NL1066T, H1, H2, H3



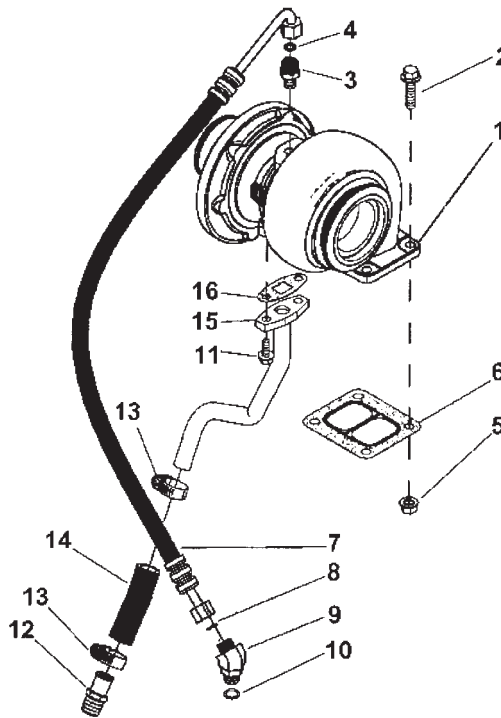
Reproduced by permission of Deere & Co., c2006. Deere & Company. All rights reserved.

RGP6264

KEY	PART NUMBER	QTY	DESCRIPTION	S/N
1	RE509809	1	Turbocharger (NL1066T, NL1066H1, remanufactured, marked RE509807)	-
	RE516654	1	Turbocharger (NL1066H2, remanufactured, marked RE516653)	-
	RE516661	1	Turbocharger (NL1066H3, remanufactured, marked RE516660)	-
2	R123572	1	Gasket	-
3	19M8162	4	Screw, M10 x 40	-
4	14M7296	4	Flange Nut, M10	-
5	M87733	2	Fitting	-
6	R63548	2	O-ring	-
7	RE503212	1	Hose Assembly, Turbo Oil Supply	-
8	T77613	1	O-ring	-
9	38H5154	1	Fitting	-
10	51M7042	2	O-ring	-
11	RE59438	1	Tube, Turbo Oil Return	-
12	R123570	1	Gasket	-
13	19M7866	2	Screw	-
14	R115138	1	Hose	-
15	RE65978	2	Clamp	-
16	RE54885	1	Hose Fitting	-

Turbocharger

NL1066H4



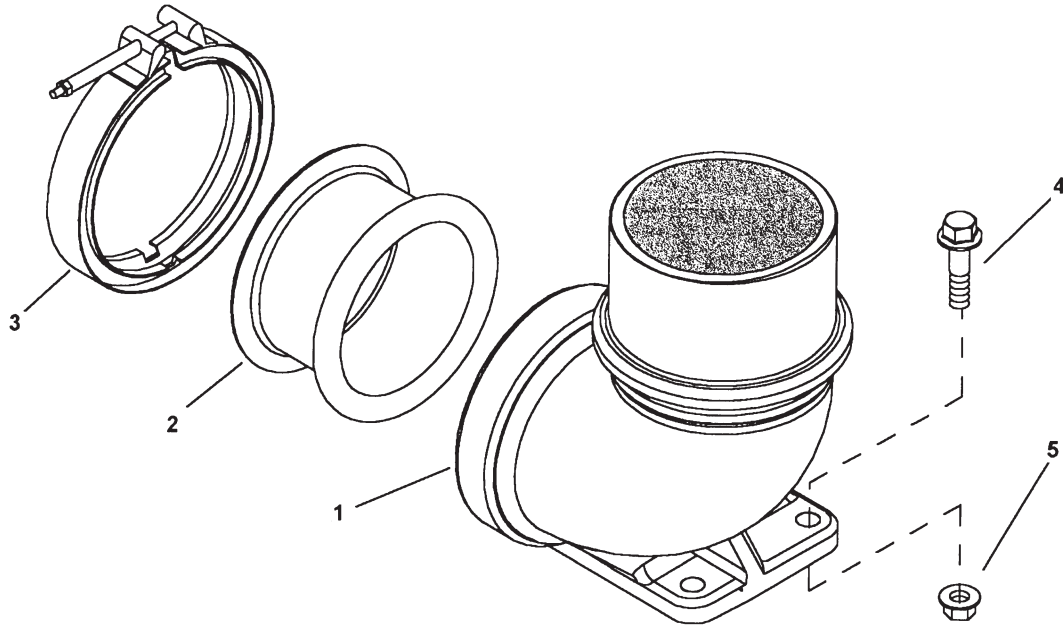
Reproduced by permission of Deere & Co., c2006. Deere & Company. All rights reserved.

RE517151SPA

KEY	PART NUMBER	QTY	DESCRIPTION	SERIAL
1	RE516661	1	Turbocharger (NL1066H4, marked RE517239, remanufactured)	-
2	19M8162	4	Capscrew, M10 x 40 mm	-
3	M87733	1	Fitting	-
4	R63548	1	O-ring	-
5	14M7296	4	Flange Nut, M10	-
6	R123572	1	Gasket	-
7	RE503212	1	Hose Assembly, Turbo Oil Supply	-
8	T77613	1	O-ring	-
9	38H5154	1	Fitting	-
10	51M7042	2	O-ring	-
11	19M7866	2	Screw	-
12	RE54885	1	Hose Fitting	-
13	RE65978	2	Clamp	-
14	R115138	1	Hose	-
15	RE515896	1	Tube, Turbo Oil Return	-

Dry Exhaust Elbow

NL1066T, H1, H2, H3, H4



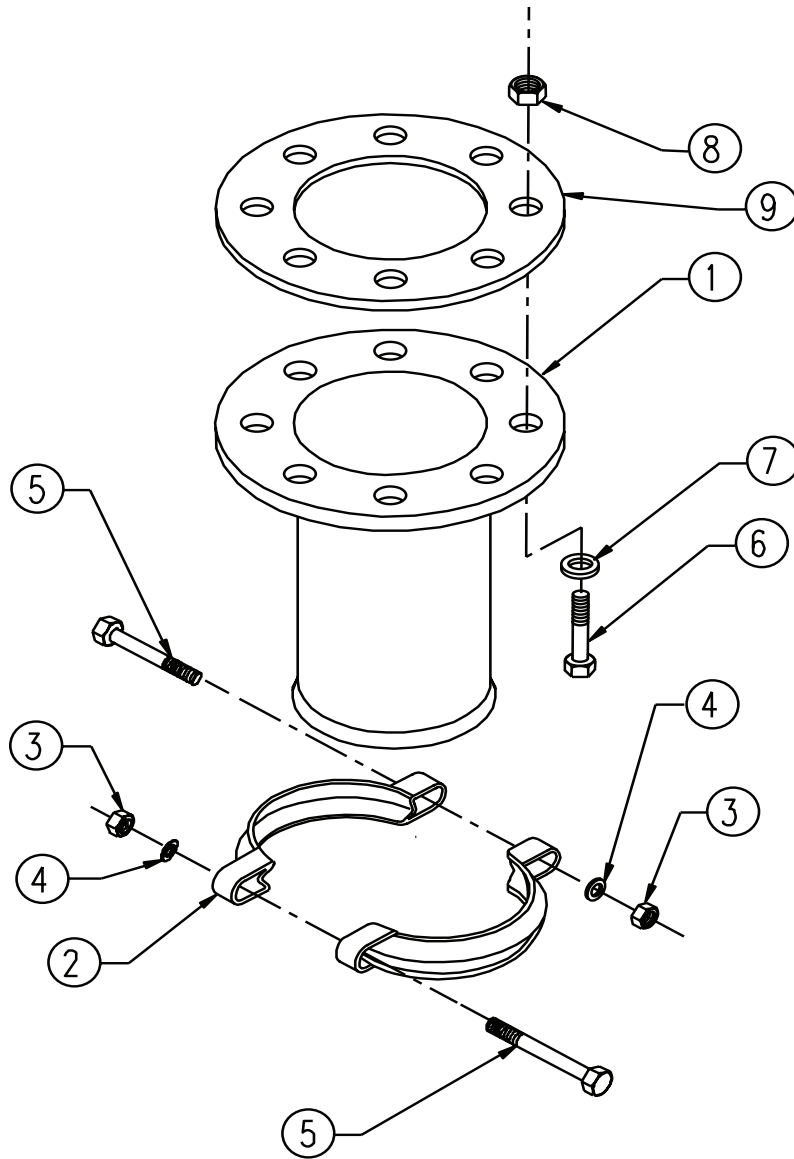
Reproduced by permission of Deere & Co., c2005. Deere & Company. All rights reserved.

RGP6262

KEY	PART NUMBER	QTY	DESCRIPTION	SERIAL NUMBER
1	R123246	1	Exhaust Elbow	-
2	R87732	1	Adapter	-
3	RE40048	1	Clamp	-
4	19M8162	4	Screw, M10 x 40	-
5	14M7296	4	Flange Nut, M10	-

Exhaust Adapter 4"

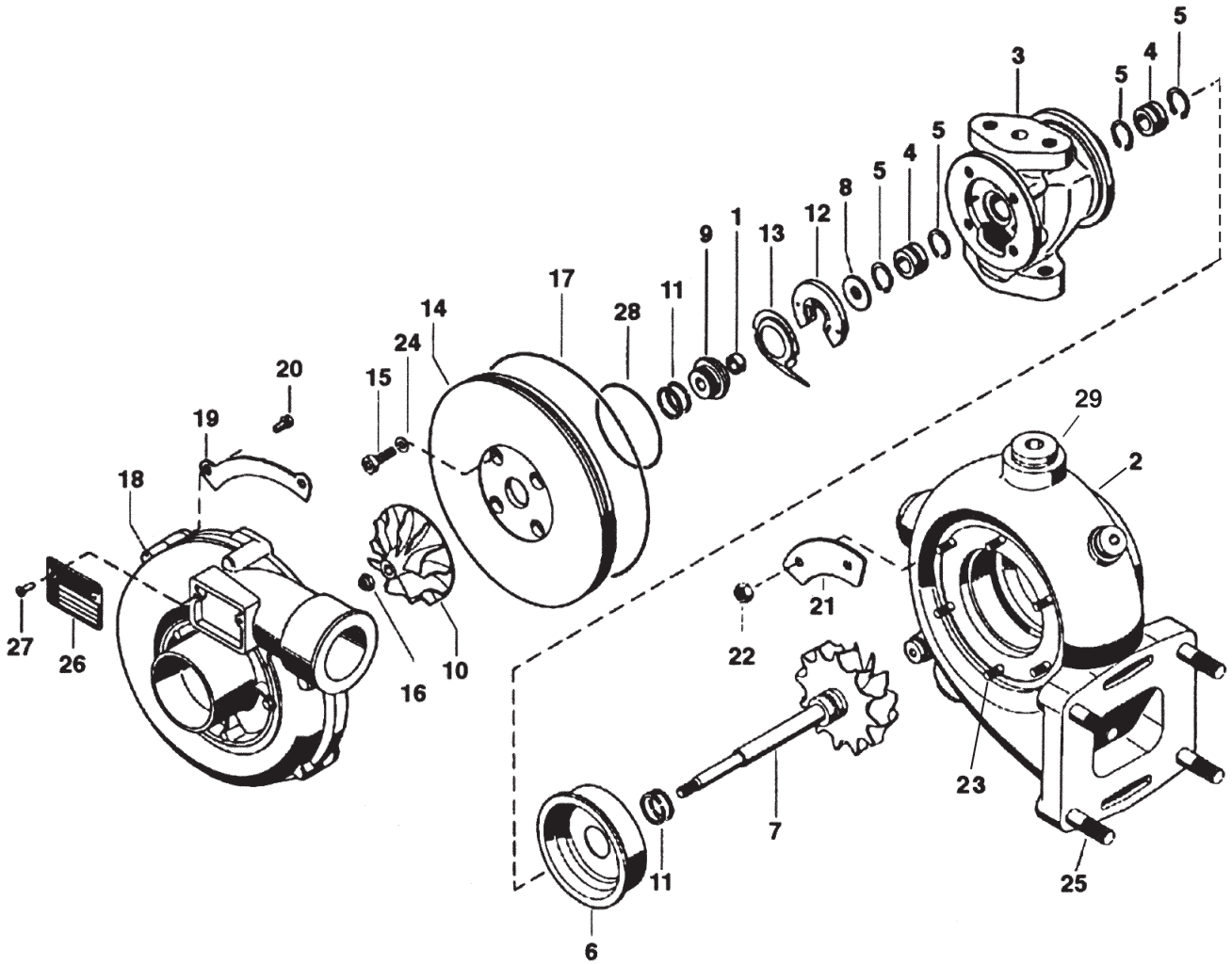
NL1066T, H1, H2, H3, H4



A-1088E, A-6861A/ B-1566B

KEY	PART NUMBER	QTY	DESCRIPTION	SERIAL NUMBER
1	31-31066	1	Exhaust Adapter 4"	-
	27-31009	1	Exhaust Flex S/S 4" x 18"	-
2	AR43704	2	Clamp kit with fasteners (includes keys 3-5)	-
3	14-00311	2	Hex Nut 3/8- 16	-
4	15-00321	4	Flat Washer 3/8" SAE	-
5	12-00310	2	Capscrew, Hex Head 3/8- 16 x 3"	-
6	12-00914	8	Capscrew, Hex Head 5/8- 11 x 1- 3/4"	-
7	15-00902	8	Lock Washer Helical 5/8"	-
8	14-00911	8	Hex Nut 5/8- 11	-
9	11-31099	1	Gasket	-

K26 Turbocharger Assembly

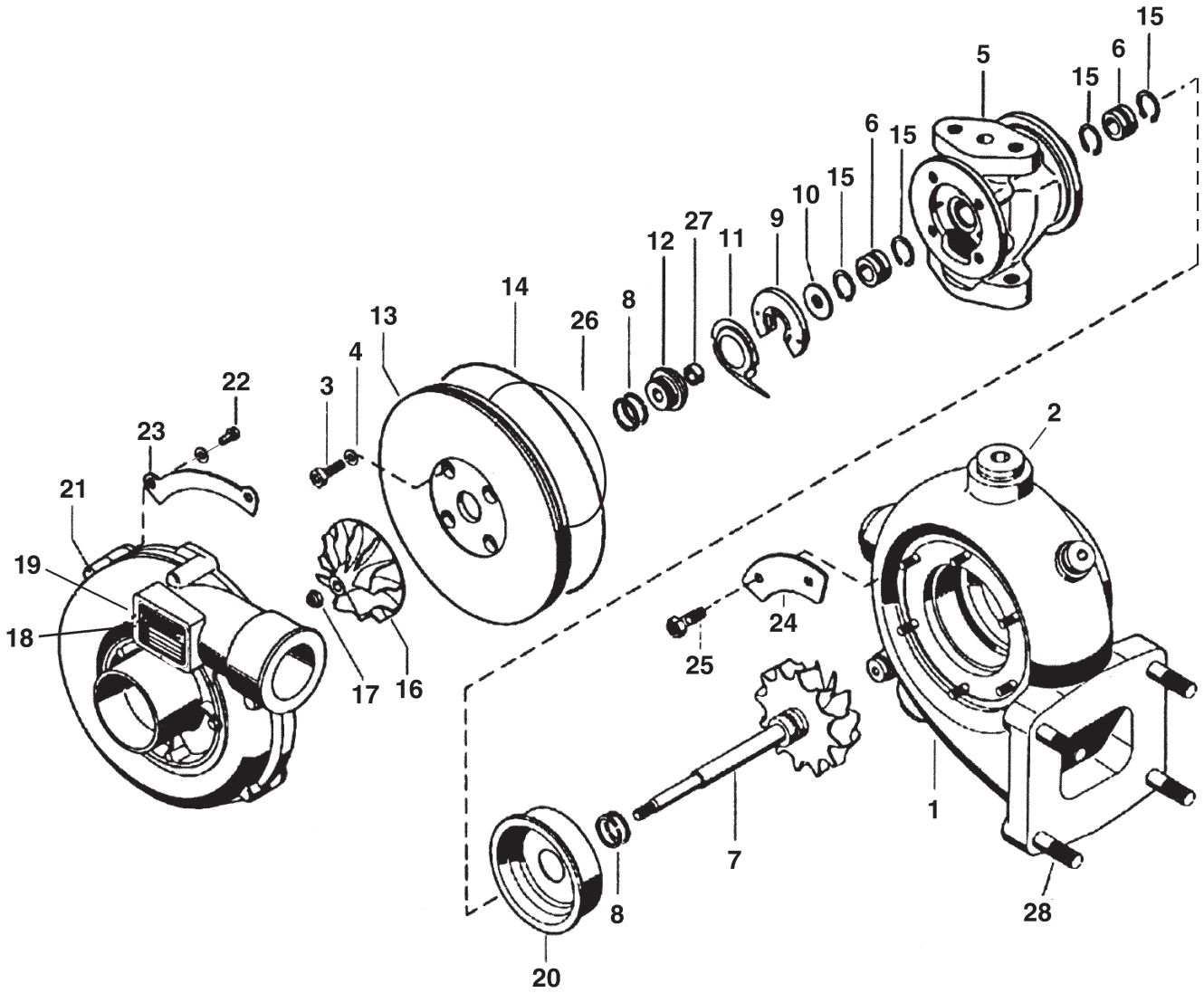


Turbo

K26 Turbocharger Assembly

KEY	PART NUMBER	QTY	DESCRIPTION	SERIAL NUMBER
••	30-31426-1	1	Turbocharger Assembly (ID Tag #5326 988 64 93 - includes all keys)	-
••	30-21400-1	1	Turbocharger Assembly (ID Tag #5326 988 60 90 - includes all keys)	-
•	30-31430	1	Repair Kit (includes keys 4,5, 11-17, 19-22, 24, & 28)	-
1	30-31662	1	Spacer Sleeve	-
2	30-31401	1	Turbine Housing (10.0 for turbocharger 30-31426-1)	-
	30-31431	1	Turbine Housing (8.0 for turbocharger 30-21400-1)	-
3	30-31433	1	Bearing Housing	-
4	30-31434	2	Bushing	-
5	30-31435	4	Snap Ring	-
6	30-31436	1	Heat Shield	-
7	30-31437	1	Shaft & Turbine Wheel Assembly	-
8	30-31438	1	Thrust Ring	-
9	30-31439	1	Flinger Sleeve	-
10	30-21401	1	Compressor Wheel (for 30-21400 turbocharger)	-
	30-31440	1	Compressor Wheel (for 30-31426-1 turbocharger)	-
11	30-31441	4	Piston Ring	-
12	30-31442	1	Thrust Bearing	-
13	30-31443	1	Oil Deflector	-
14	30-31444	1	Backing Plate	-
15	30-31445	4	Capscrew, Socket & Head, M6 x 1.0 x 16 mm Grade 10.9	-
16	30-39611	1	Lock Nut, M7 x 1 (Left hand)	-
17	30-31447	1	O-ring	-
18	30-21402	1	Compressor Housing (for 30-21400-1 turbocharger)	-
	30-31432	1	Compressor Housing (for 30-31426-1 turbocharger)	-
19	30-31448	3	Clamp Plate (compressor side)	-
20	30-39614	6	Capscrew, Socket Head M6 x 1.0 x 14 mm	-
21	30-31450	3	Clamp Plate (turbine side)	-
22	14-01131	6	Hex Nut M6 x 1.0	-
23	30-31452	6	Stud, M6 x 1.0	-
24	30-31453	4	Flat Washer, M6	-
25	13-00814	4	Stud, M10 x 1.5 x 30 mm	-
26	30-31454	1	Name Plate	-
27	30-31455	2	Rivet	-
28	30-31428	1	O-ring	-
29	30-31631	2	Plug, Socket Head, Steel M22 x 1.5	-

K27 Turbocharger Assembly



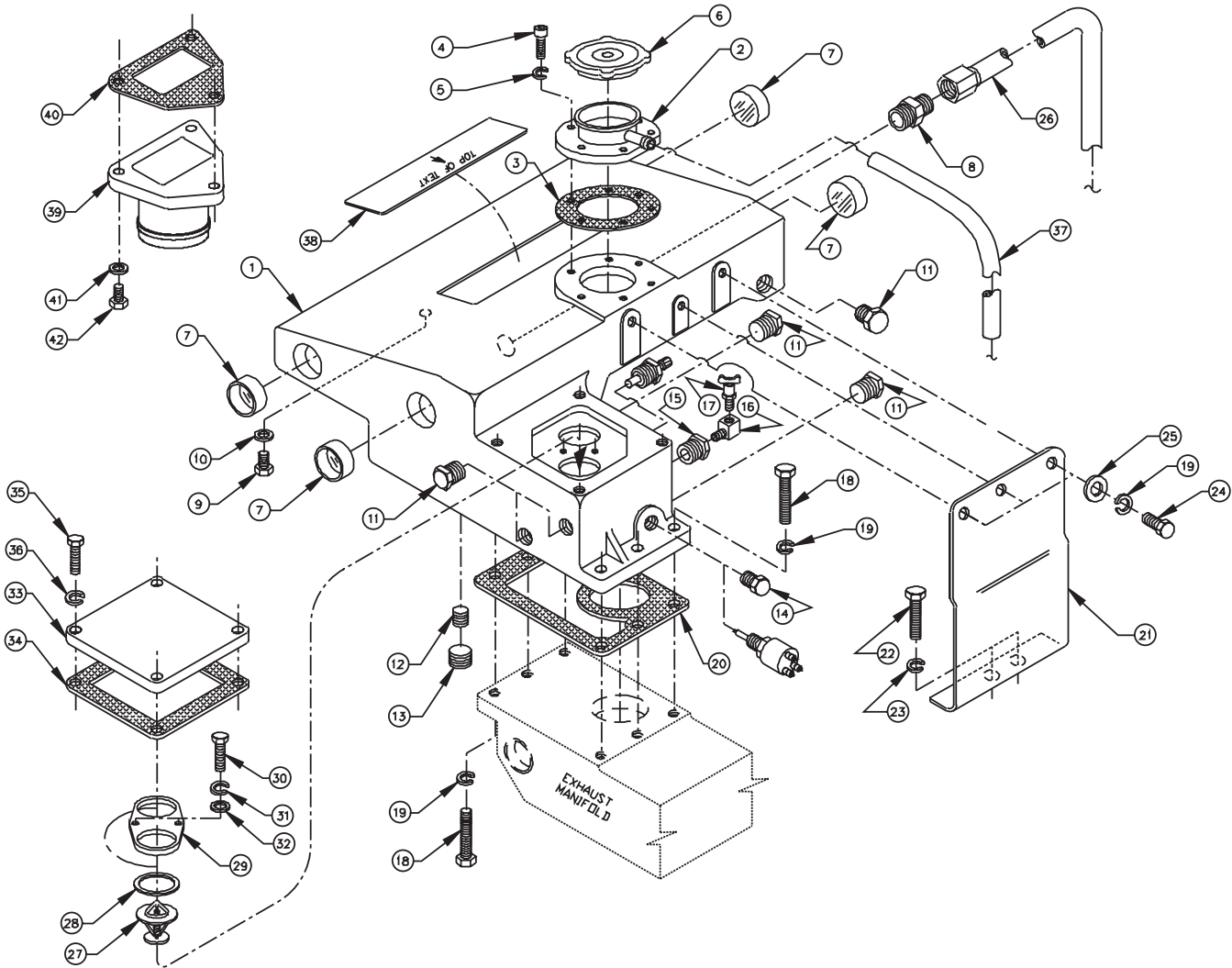
Turbo L

K27 Turbocharger Assembly

KEY	PART NUMBER	QTY	DESCRIPTION	SERIAL NUMBER
••	30-31627	1	Turbocharger Assembly (Includes all Keys 1-27)	-
•	30-31630	1	Repair Kit (Includes Keys 3, 4, 6, 8, 9, 11, 12, 14, 15, 17, 22-27)	-
1	30-31628	1	Turbine Housing	-
2	30-31631	6	Plug, Socket Head, Steel, M22 x 1.5	-
3	30-31445	4	Cap Screw, Socket Head, M6 x 1.0 x 16 mm Grade 10.9	-
4	30-31453	4	Flat Washer, M6	-
5	30-31633	1	Bearing Housing	-
6	30-31434	2	Bushing	-
7	30-31637	1	Shaft & Turbine Wheel Assembly	-
8	30-31441	4	Piston Ring	-
9	30-31442	1	Thrust Bearing	-
10	30-31438	1	Thrust Ring	-
11	30-31443	1	Oil Deflector	-
12	30-31439	1	Flinger Sleeve	-
13	30-31643	1	Backing Plate	-
14	30-31644	1	O-ring	-
15	30-31435	4	Snap Ring	-
16	30-31646	1	Compressor Wheel	-
17	30-31446	1	Lock Nut	-
18	30-31454	1	Name Plate	-
19	30-31649	2	Screw, Self Tapping	-
20	30-31659	1	Heat Shield	-
21	30-31629	1	Compressor Housing	-
22	12-00030	8	Cap Screw, Hex Head, M6 x 1.0 x 16 mm	-
23	30-31657	4	Clamp Plate	-
24	30-31654	3	Clamp Plate	-
25	30-31655	6	Bolt	-
26	30-31428	1	O-ring	-
27	30-31662	1	Spacer Sleeve	-
28	13-00814	4	Stud, M10 x 1.5 x 30 mm	-

Expansion Tank Assembly

L- M1066T- A , M99C2, and M1066HA1, A2, A3



A-8340A/ C-5005

Expansion Tank Assembly

L- M1066T- A, M99C2, and M1066HA1, A2, A3

KEY	PART NUMBER	QTY	DESCRIPTION	SERIAL NUMBER
1	10-19501	1	Expansion Tank Assembly (includes keys 7-17, & 44)	-
2	10-11023	1	Filler Neck Assembly	-
3	11-11022	1	Gasket	-
4	12-20111	6	Capscrew, Socket Head, 1/4-20 x 3/4	-
5	15-00018	6	Lock Washer, High Collar, 1/4	-
6	21-19510	1	Filler Cap	-
7	17-10001	4	Expansion Plug	-
8	21-74801	1	Male Connector, Steel, 3/4 NPT x 5/8-37T	-
9	12-00098	1	Capscrew, Hex Head 1/4-20 x 1/2" S/S	-
10	15-19502	1	Sealing Washer	-
11	21-00530	**	Plug, Hex Head, Brass, 1/2 NPT	-
12	21-11003	**	Plug, Socket Head, Steel, 1/2 NPT	-
13	21-11004	1	Plug, Socket Head, Steel, 3/4 NPT	-
14	21-31003	**	Plug, Hex Head, Brass, 3/8 NPT	-
15	21-00136	1	Bushing, Brass, 1/2 NPT x 1/8 NPT	-
16	21-72044	1	Street Elbow 90 Degrees, Brass, 1/8 NPT	-
17	21-10001	1	Drain Cock, Brass, 1/8 NPT	-
18	12-00313	6	Capscrew, Hex Head 3/8-16 x 1-1/4"	-
19	15-00302	9	Lock Washer, Helical 3/8	-
20	11-11023	1	Gasket	-
21	23-19502	1	Bracket	-
22	12-00831	2	Capscrew, Hex Head, M10 x 1.5 x 25 mm	-
23	15-00802	2	Lock Washer, Helical M10	-
24	12-00311	3	Capscrew, Hex Head, 3/8-16 x 3/4"	-
25	15-00301	3	Flat Washer, 3/8"	-
26	27-19501	1	Tube Assembly	-
27	35-11000	1	Thermostat, 180°F/ 82°C (formerly #35-10002)	-
	35-11007	1	Thermostat, 190°F/ 88°C	-
28	11-10015	2	Seal Ring	-
29	35-11004	1	Clamp	-
30	12-00223	2	Capscrew, Hex Head, 5/16-18 x 3/4" S/S	-
31	15-00222	2	Lock Washer, Helical 5/16" S/S	-
32	15-11000	2	Flat Washer, 5/16 USS S/S	-
33	10-11024	1	Cover	-
34	11-11013	1	Gasket	-
35	12-00212	4	Capscrew, Hex Head 5/16-18 x 1"	-
36	15-00202	4	Lock Washer, Helical 5/16	-
37	41-01013	30"	Hose, 5/16" I.D., Polyvinyl	-
38	00-71000	1	Nameplate "Lugger"	-
	00-00006	1	Nameplate "Northern Lights"	-
39	10-11006	1	Keel Cooling Outlet	-
40	11-11043	1	Gasket	-
41	15-00302	3	Lock Washer, 3/8	-
42	12-00313	3	Capscrew, Hex Head 3/8-16 x 1-1/4"	-
43	21-00027	**	Plug, Socket Head, Brass 1/8 NPT	-
44	21-51901	**	Plug, Socket Head, Brass 1/4 NPT	-

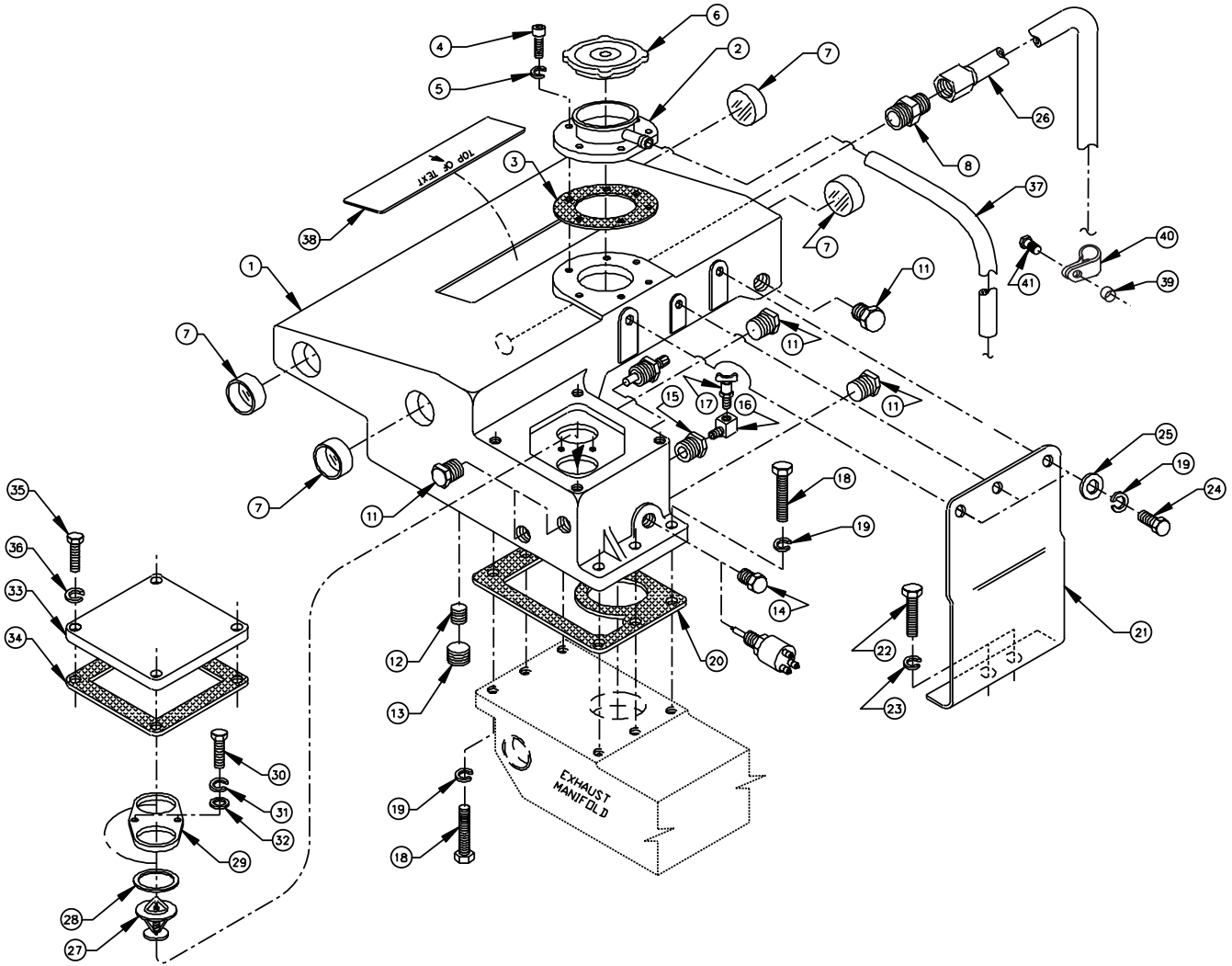
} Keel Cooled Only

} (L- M1066T Keel Cooled only)

**As required

Expansion Tank Assembly

L- M1066H



A-10160/ C-5005z

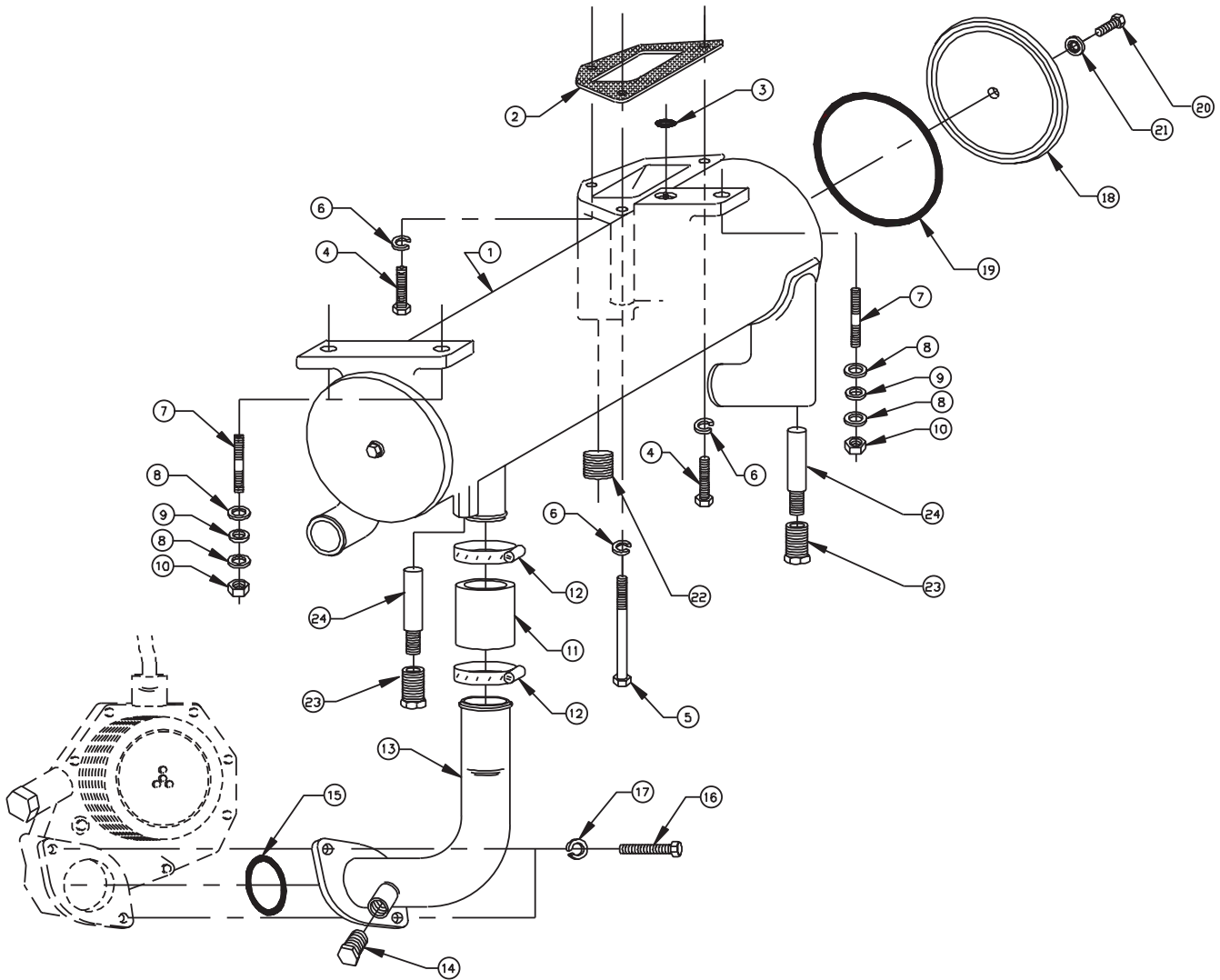
Expansion Tank Assembly

L- M1066H

KEY	PART NUMBER	QTY	DESCRIPTION	SERIAL NUMBER
1	10-19501	1	Expansion Tank Assembly (includes 7-17)	-
2	10-11023	1	Filler Neck Assembly	-
3	11-11022	1	Gasket	-
4	12-20111	6	Capscrew, Socket Head, 1/4-20 x 3/4	-
5	15-00018	6	Lock Washer, High Collar, 1/4	-
6	21-10007	1	Filler Cap	-
7	17-10001	4	Expansion Plug	-
8	21-74801	1	Male Connector, Steel 3/4 NPT x 5/8- 37T	-
9	21-00027	**	Plug, Socket Head, Brass 1/8 NPT (not shown)	-
10	21-51901	**	Plug, Socket Head, Brass 1/4 NPT (not shown)	-
11	21-00530	**	Plug, Hex Head, Brass, 1/2 NPT	-
12	21-11003	1	Plug, Socket Head, Steel, 1/2 NPT	-
13	21-11004	1	Plug, Socket Head, Steel, 3/4 NPT	-
14	21-31003	**	Plug, Hex Head, Brass, 3/8 NPT	-
15	21-00136	1	Bushing, Brass, 1/2 NPT x 1/8 NPT	-
16	21-72044	1	Street Elbow 90 Degrees, Brass, 1/8 NPT	-
17	21-10001	1	Drain Cock, Brass, 1/8 NPT	-
18	12-00313	6	Capscrew, Hex Head 3/8-16 x 1-1/4"	-
19	15-00302	9	Lock Washer, Helical 3/8	-
20	11-11023	1	Gasket	-
21	23-19506	1	Bracket	-
22	12-00831	2	Capscrew, Hex Head, M10 x 1.5 x 25 mm	-
23	15-00802	2	Lock Washer, Helical M10	-
24	12-00311	3	Capscrew, Hex Head, 3/8-16 x 3/4"	-
25	15-00301	3	Flat Washer, 3/8"	-
26	27-19512	1	Tube Assembly	-
27	35-11000	1	Thermostat, 180°F/ 82°C (formerly #35-10002)	-
	35-11007	1	Thermostat, 190°F/ 88°C	-
28	11-10015	2	Seal Ring	-
29	35-11004	1	Clamp	-
30	12-00223	2	Capscrew, Hex Head, 5/16-18 x 3/4" S/S	-
31	15-00222	2	Lock Washer, Helical 5/16" S/S	-
32	15-11000	2	Flat Washer, 5/16 USS S/S	-
33	10-11024	1	Cover	-
34	11-11013	1	Gasket	-
35	12-00212	4	Capscrew, Hex Head 5/16-18 x 1"	-
36	15-00202	4	Lock Washer, Helical 5/16	-
37	41-01013	30"	Hose, 5/16" I.D., Polyvinyl	-
38	00-00006	1	Nameplate "Northern Lights"	-
	00-71000	1	Nameplate "Lugger"	-
39	21-13110	1	Spacer	-
40	R123324	1	Clamp	-
41	19M7802	1	Capscrew, Hex Head Flanged M8 x 1.25 x 65 mm	-
			**As required	

Heat Exchanger

L-M1066T, M99C2



A-8348/ C-4143

Heat Exchanger

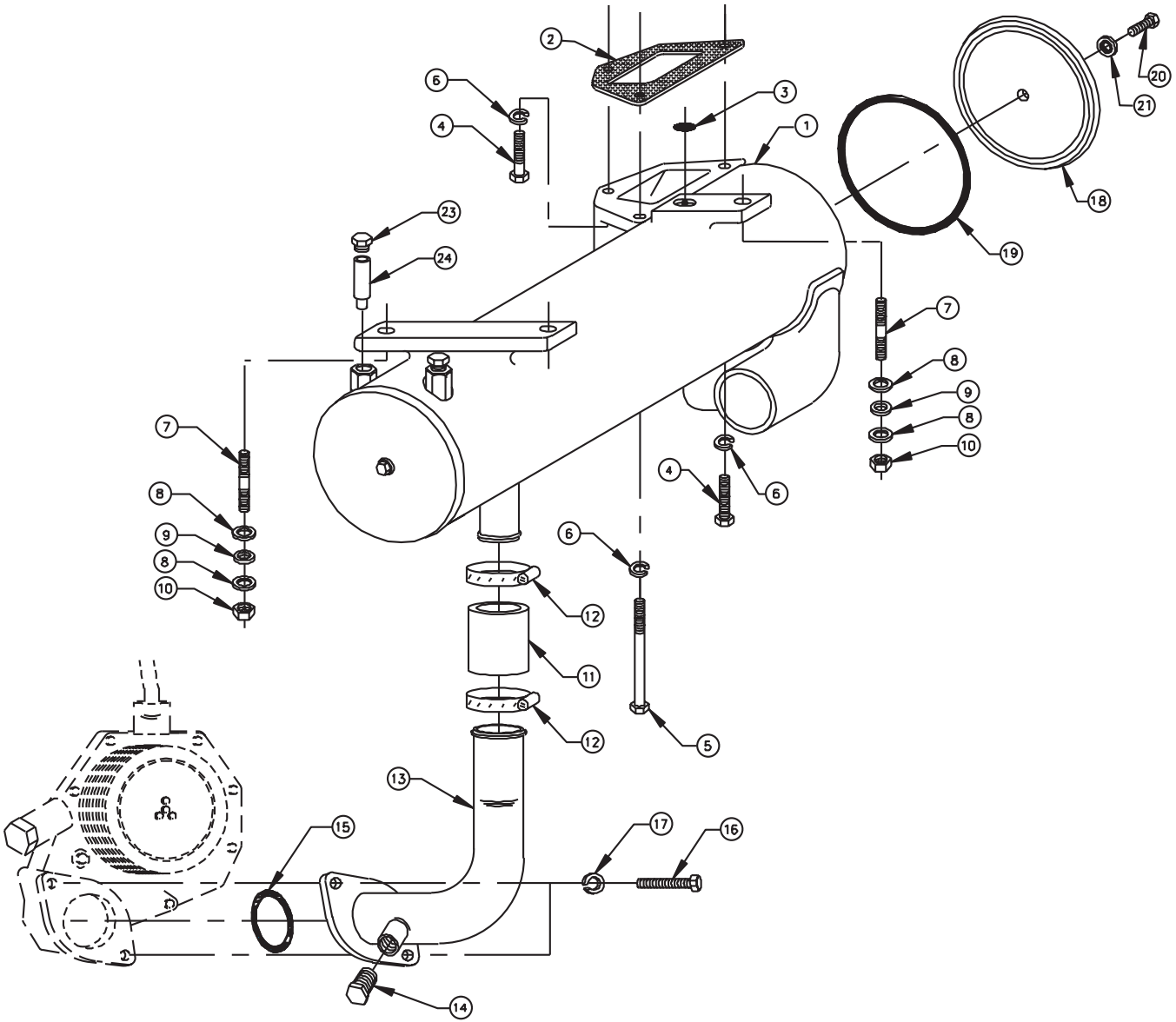
L-M1066T, M99C2

KEY	PART NUMBER	QTY	DESCRIPTION	SERIAL NUMBER
1	20-19501	1	Heat Exchanger Assembly (Includes keys #18-24)	-
2	11-11043	1	Gasket	-
3	16-19502	1	O-ring	-
4	12-00313	2	Capscrew, Hex Head, 3/8-16 x 1-1/4"	-
5	12-00340	1	Capscrew, Hex Head, 3/8-16 x 4"	-
6	15-00302	3	Lock Washer, Helical 3/8	-
7	13-00335	3	Stud, 3/8-16 x 3/8-24 x 1-1/4"	-
8	15-70007	6	Snubbing Washer	-
9	15-19504	3	Neoprene Washer	-
10	14-00322	3	Hex Nut, Nylock 3/8-24	-
11	18-62520	1	Hose, 1-3/4" I.D. x 2-1/4"	-
12	19-01028	2	Hose Clamp #28	-
13	27-11035	1	Tube, Coolant Pump Inlet	-
14	21-00530	1	Plug, Hex Head, Brass, 1/2 NPT	-
15	16-14804	1	O-ring	-
16	12-00753	2	Capscrew, Hex Head, M8 x 1.25 x 30 mm	-
17	15-00702	2	Lock Washer, Helical M8	-
18	20-19502	2	End Cover	-
19	16-19501	2	O-ring	-
20	12-09312	2	Capscrew, Hex Head, 3/8-16 x 1" S/S	-
21	15-19501	2	Sealing Washer	-
22	21-51905	**	Plug, Socket Head, 1" NPT	-
23	21-10000	2	Zinc Plug	-
24	21-10010	2	Zinc Electrode	-

**As required

Heat Exchanger

L-M1066A- H and M1066A1, A2, A3, H



A-10162, A-10429/ C-5531

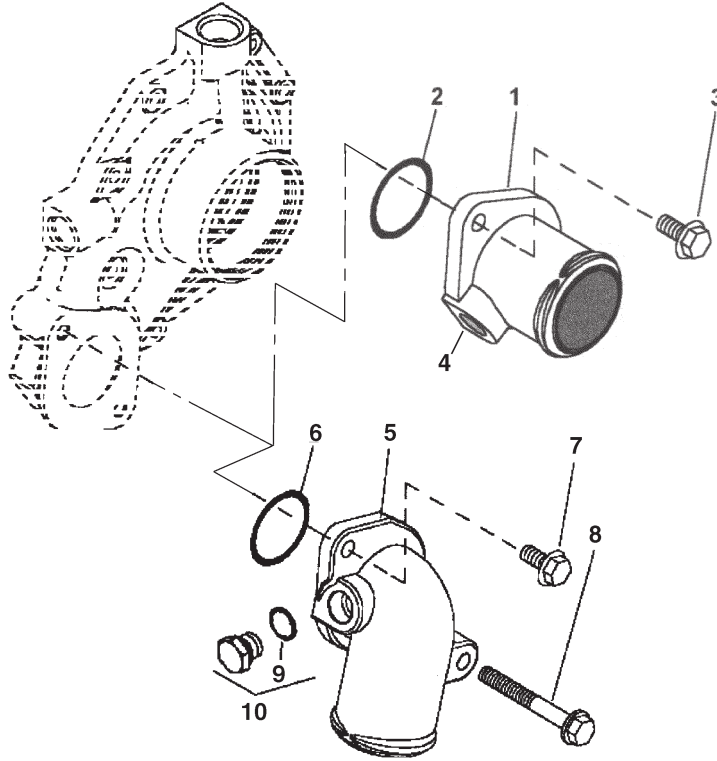
Heat Exchanger

L-M1066A- H and M1066A1, A2, A3, H

KEY	PART NUMBER	QTY	DESCRIPTION	SERIAL NUMBER
••	20-19510	1	Heat Exchanger Assembly (includes keys #1-24)	-
1	20-19504	1	Heat Exchanger	-
2	11-11043	1	Gasket	-
3	16-19502	1	O-ring	-
4	12-00313	2	Capscrew, Hex Head, 3/8-16 x 1-1/4"	-
5	12-00340	1	Capscrew, Hex Head, 3/8-16 x 4"	-
6	15-00302	3	Lock Washer, Helical 3/8	-
7	13-00335	3	Stud, 3/8-16 x 3/8-24 x 1-1/4"	-
8	15-70007	6	Snubbing Washer	-
9	15-19504	3	Neoprene Washer	-
10	14-00322	3	Hex Nut, Nylock 3/8-24	-
11	18-62520	1	Hose, 1-3/4" I.D. x 2-1/4"	-
12	19-01028	2	Hose Clamp #28	-
13	27-19511	1	Tube, Coolant Pump Inlet (L- M1066H)	-
	27-19513	1	Tube, Coolant Pump Inlet (L1066A, M1066A1, A2, A3)	-
14	21-00530	1	Plug, Hex Head, Brass, 1/2 NPT	-
15	16-14804	1	O-ring	-
16	12-00753	2	Capscrew, Hex Head, M8 x 1.25 x 30 mm	-
17	15-00702	2	Lock Washer, Helical M8	-
18	20-19502	2	End Cover	-
19	16-19501	2	O-ring	-
20	12-09312	2	Capscrew, Hex Head, 3/8-16 x 1" S.S.	-
21	15-19501	2	Sealing Washer	-
22	21-51905	**	Plug, Socket Head, 1" NPT	-
23	21-10000	2	Zinc Plug	-
24	21-10010	2	Zinc Electrode	-

**As required

Coolant Pump Inlet

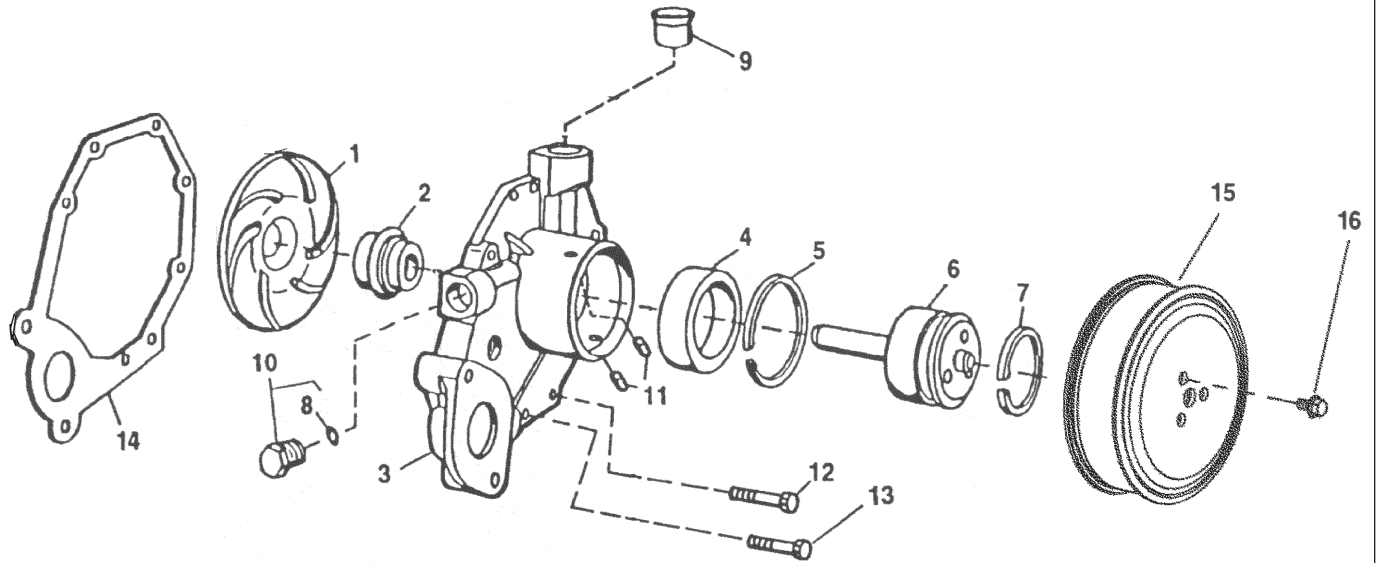


Reproduced by permission of Deere & Co., c2006. Deere & Company. All rights reserved.

RGP7821&6248

KEY	PART NUMBER	QTY	DESCRIPTION	SERIAL NUMBER
1	27-19506	1	Inlet Adapter, 2-1/4" Hose Barb (M1066 All & M99C2)	-
	27-19507	1	Inlet Adapter, 2-3/8" Hose Barb (L1066 All & M99C2)	-
	R121634	1	Inlet Adapter, 2" Hose Barb (NL1066 All & M99C2)	-
2	16-14804	1	O-ring	-
3	19M7867	2	Screw, M8 x 25	-
4	21-13101	**	Plug, 1/2" NPT	-
			**As required	
			For NL1066H1, H2, H3, and H4	
5	R502983	1	Housing	-
6	R89944	1	O-ring	-
7	19M7867	1	Screw, M8 x 25 mm	-
8	19M7802	1	Screw, M8 x 65 mm	-
9	51M7043	1	O-ring	-
10	RE46685	1	Plug	-

Coolant Pump



Reproduced by permission of Deere & Co., c2006. Deere & Company. All rights reserved.

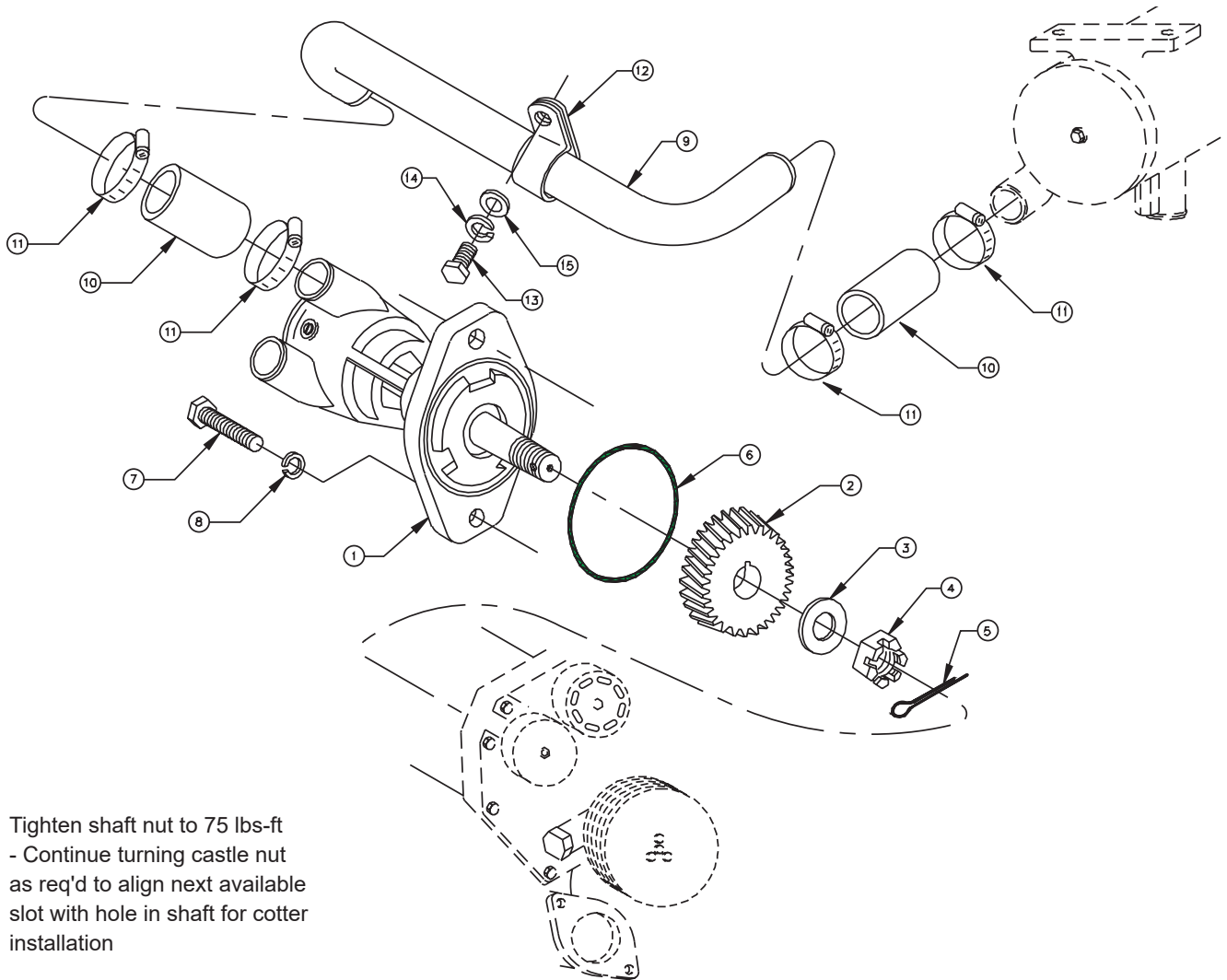
TP50847 & RGP6114

KEY	PART NUMBER	QTY	DESCRIPTION	SERIAL NUMBER
••	RE505980	1	Coolant Pump, Cast Iron (marked R503509, includes keys 1-11)	-
•	RE509813	1	Repair Kit (includes keys 1-2, 4-9 & 11)	-
1			Impeller	-
2			Seal*	-
3			Housing*	-
4			Ball Bearing*	-
5			Ring*	-
6			Shaft*	-
7	A364R	1	Snap Ring	-
8	51M7043	1	O-ring	-
9	R123226	1	Gasket	-
10	RE46685	1	Plug	-
11	R100369	2	Filter	-
12	19M7863	5	Capscrew, M6 x 25	-
13	19M7796	3	Capscrew, M6 x 30	-
14	R123417	1	Gasket	-
15	R115250	1	Pulley, 93 mm OD	-
16	19M7784	1	Capscrew, Flanged Head M6 x 1.0 x 12 mm	-
17	RE508566	1	Timing Cover Insert Kit (not shown)	-
			*Not available separately - order Pump Repair Kit or Coolant Pump Assembly	

GROUP 3 - COOLING SYSTEM

Raw Water Pump and Mounting

L- M1066T, M99C2

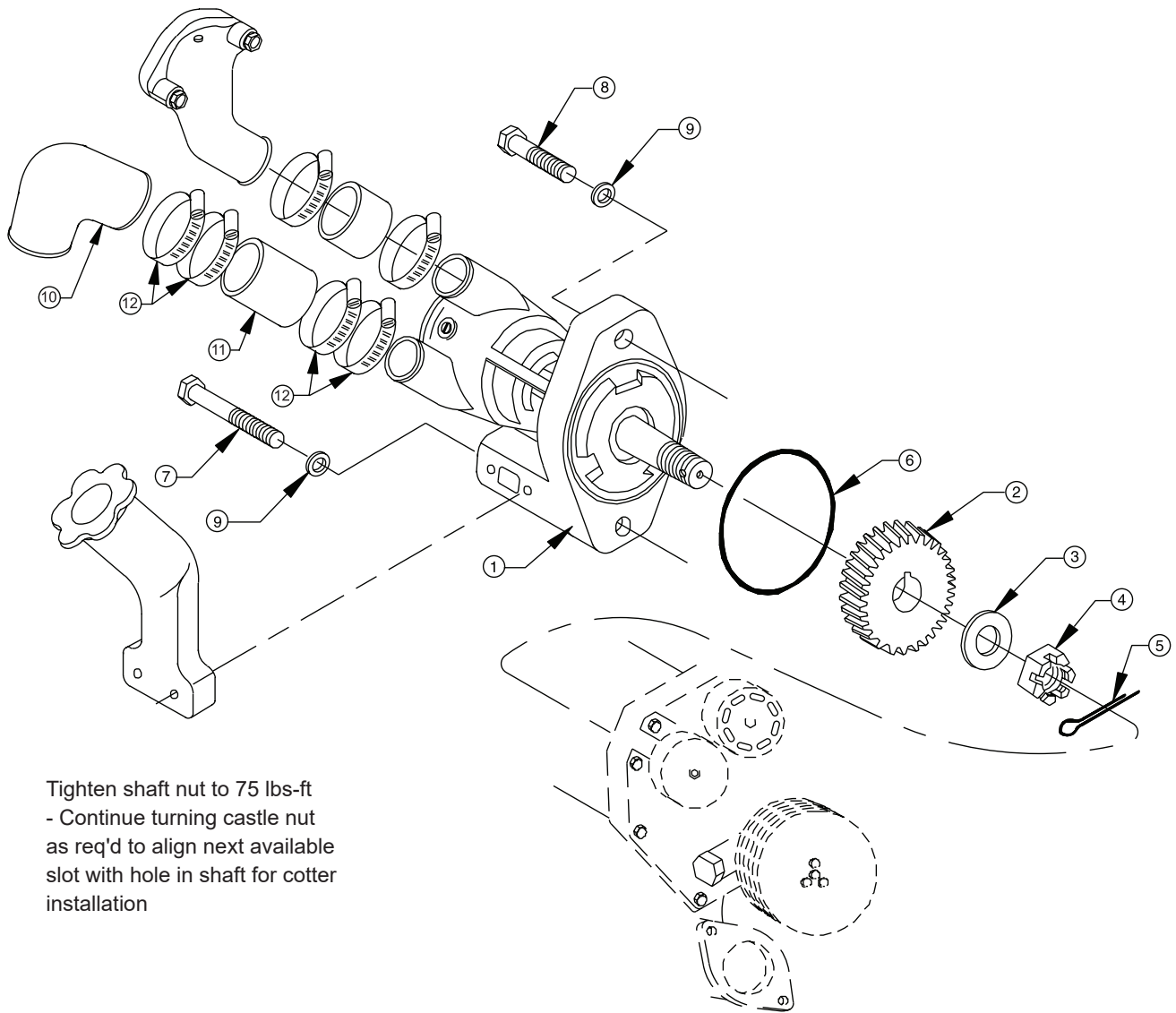


A-8362/ C-4177

KEY	PART NUMBER	QTY	DESCRIPTION	SERIAL NUMBER
1	25-19501	1	Raw Water Pump (see Parts detail)	-
2	R135101	1	Gear	-
3	15-19503	1	Shaft Flat Washer	-
4	14-19501	1	Hex Nut, Slotted	-
5	32-00005	1	Cotter Pin	-
6	16-19503	1	O-ring	-
7	12-00954	2	Capscrew, Hex Head M12 x 1.75 x 35 mm	-
8	15-00912	2	Lock Washer, Helical M12	-
9	27-19502	1	Tube	-
10	18-19501	2	Hose, 1-1/4" I.D. x 2- 1/2"	-
11	19-01020	4	Hose Clamp #20	-
12	19-71031	1	Adelle Clamp	-
13	12-00805	1	Capscrew, Hex Head M10 x 1.5 x 20 mm	-
14	15-00802	1	Lock Washer, Helical M10	-
15	15-00805	1	Flat Washer, M10	-

Raw Water Pump and Mounting

L1066A- H and M1066A1, A2, A3, H

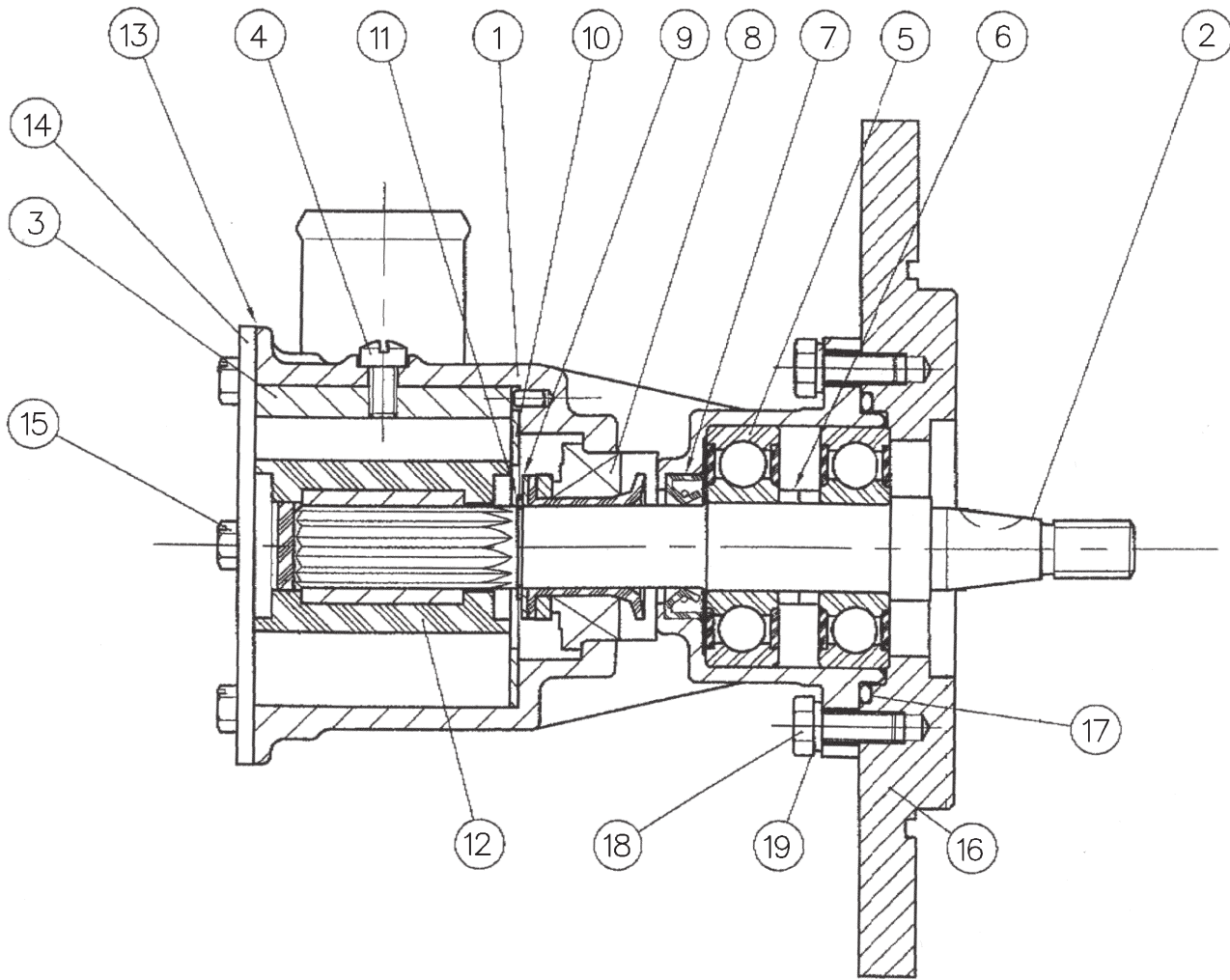


Tighten shaft nut to 75 lbs-ft
 - Continue turning castle nut
 as req'd to align next available
 slot with hole in shaft for cotter
 installation

A-10161/ C-5450

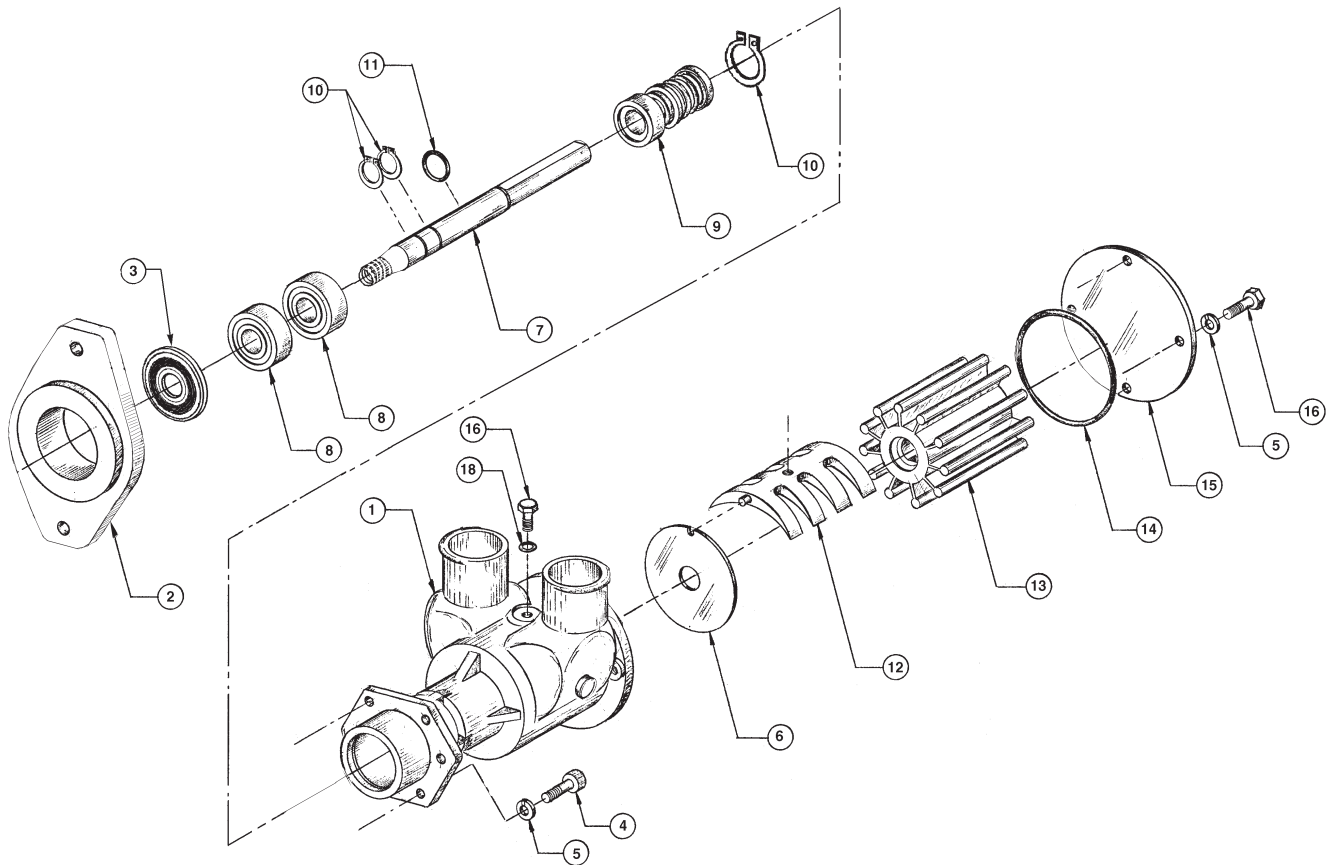
KEY	PART NUMBER	QTY	DESCRIPTION	SERIAL NUMBER
1	25-19522	1	Raw Water Pump Assembly (See Parts Detail)	-
2	R135101	1	Gear	-
3	15-19503	1	Shaft Flat Washer	-
4	14-19501	1	Hex Nut, Slotted	-
5	32-00005	1	Cotter Pin	-
6	16-19503	1	O-ring	-
7	12-00922	1	Capscrew, Hex Head, M12 x 1.75 x 90 mm	-
8	12-00956	1	Capscrew, Hex Head, M12 x 1.75 x 65 mm	-
9	15-00007	2	Flat Washer M12	-
10	21-19504	1	Connector	-
11	41-01112	3	Hose 2" I.D. Silicone	-
12	19-01032	4	Hose Clamp, #32 Extended Band	-

Raw Water Pump Assembly



KEY	PART NUMBER	QTY	DESCRIPTION	SERIAL NUMBER
••	25-19501	1	Raw Water Pump Assembly (Includes all keys)	-
1	25-19502	1	Housing	-
2	25-19503	1	Shaft	-
3	25-11621	1	Cam	-
4	25-11619	1	Screw	-
5	25-19504	2	Bearing	-
6	25-19506	2	Spacer	-
7	25-19507	1	Seal, Lip Type	-
8	25-19508	1	Seal, Mechanical/ Carbon	-
9	25-19509	1	Support Washer	-
10	25-19511	1	Wear Plate	-
11	25-19512	1	Snap Ring	-
12	25-11011	1	Impeller with Gasket	-
13	25-11017	1	Gasket	-
14	25-19513	1	Cover	-
15	25-19514	6	Capscrew	-
16	25-19516	1	Flange	-
17	25-19517	1	O-ring	-
18	12-00776	3	Capscrew, Hex Head M8 x 1.25 x 20 mm S/S	-
19	15-00705	3	Lock Washer, Helical M8 S/S	-

Raw Water Pump Assembly



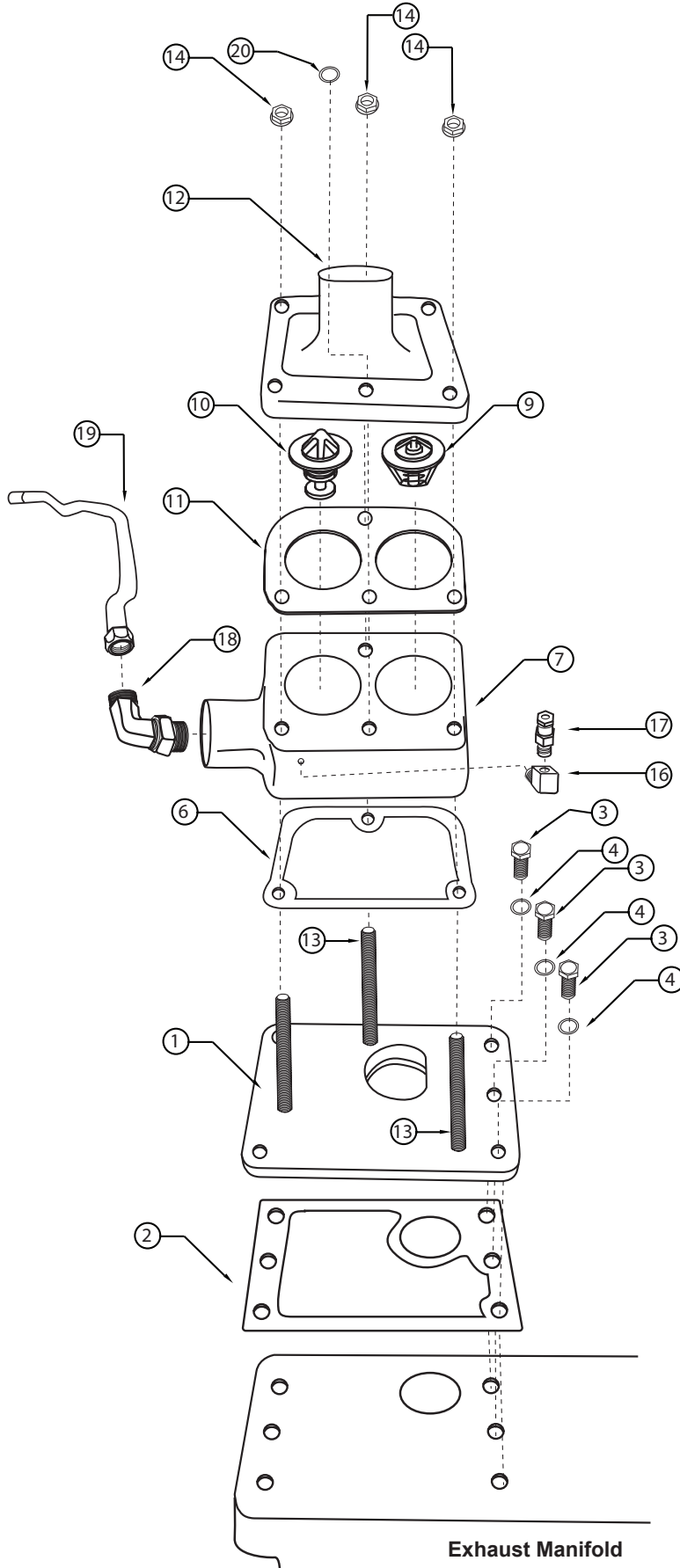
A-10161/ D-4069

KEY	PART NUMBER	QTY	DESCRIPTION	SERIAL NUMBER
●●	25-19522	1	Raw Water Pump Assembly (Includes all keys)	-
1	25-19502	1	Housing	-
2	31-09501	1	Adapter	-
3	25-19521	1	Oil Seal	-
4	25-15717	6	Capscrew, Socket Head M6 x 1.0 x 25 mm Stainless Steel	-
5	15-00610	10	Lock Washer, M6 S/S	-
6	25-15706	1	Wear Plate	-
7	25-19524	1	Shaft	-
8	25-15708	2	Bearing	-
9	25-19526	1	Mechanical Seal	-
10	25-15716	3	Snap Ring	-
11	25-15713	1	O-ring	-
12	25-15703	1	Cam	-
13	25-15704	1	Impeller	-
14	25-15711	1	O-ring	-
15	25-19523	1	End Cover	-
16	25-15718	5	Capscrew, Hex Head M6 x 1.0 x 16 mm S/S	-
18	25-15714	1	O-ring	-

GROUP 3 - COOLING SYSTEM

Thermostat Housing Assembly

M1066TMCA



10-19400_drawing

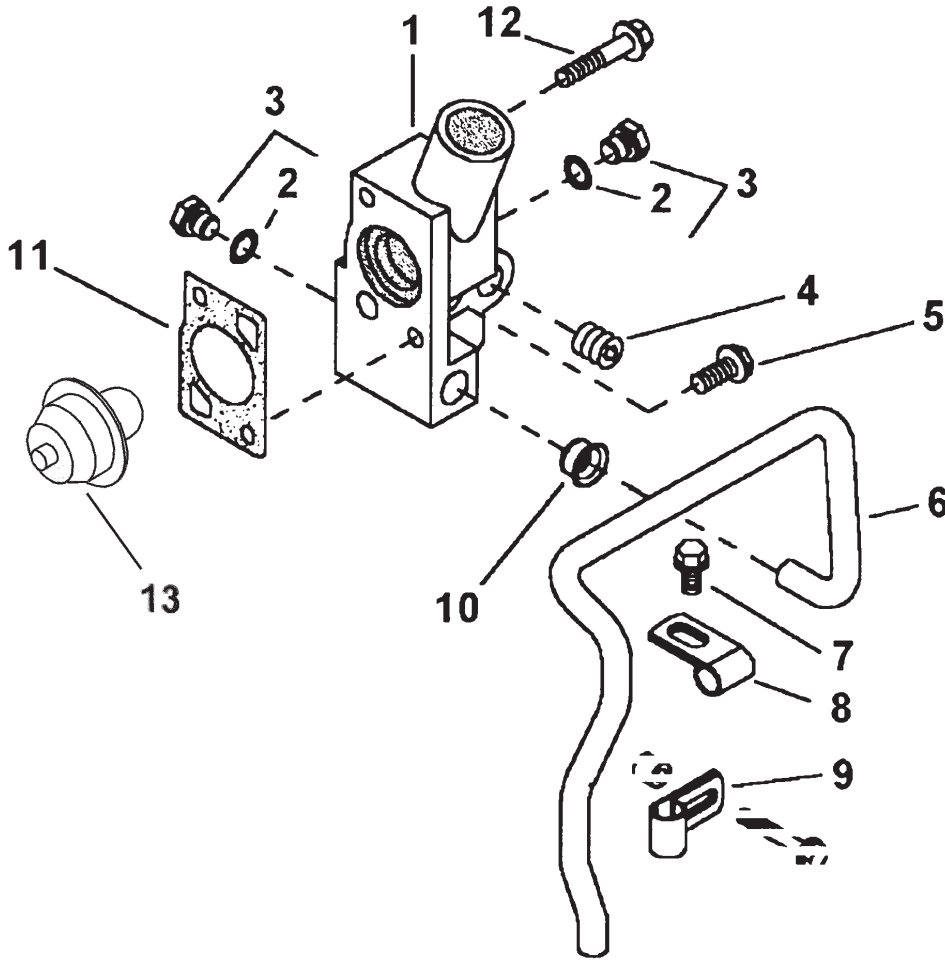
Thermostat Housing Assembly

M1066T

KEY	PART NUMBER	QTY	DESCRIPTION	SERIAL NUMBER
1	31-19512	1	Adapter, Thermostat Housing	-
2	11-11023	1	Gasket, Manifold to Expansion Tank	-
3	12-00313	6	Capscrew, Hex Head 3/8"-16 X 1-1/4"	-
4	15-00302	6	Lock Washer, Helical 3/8"	-
5	15-00321	3	Flat Washer 3/8" SAE	-
6	R116205	1	Gasket	-
7	10-19503	1	Thermostat Housing	-
8	21-13101	1	Plug Socket Head 1/2 NPT	-
9	RE33705	1	Thermostat 180F/82C	-
10	AR102258	1	Thermostat	-
11	R133142	1	Gasket	-
12	10-19506	1	Thermostat Cover, Vertical Outlet	-
13	13-00832	3	Stud M10 x 1.5 x 125mm LOA	-
14	14-80811	3	Hex Nut, Flanged	-
15	21-00132	1	Bushing 1/4 NPT x 1/8 NPT	-
16	21-72044	1	Street Elbow 90° Brass 1/8 NPT	-
17	21-10001	1	Drain Cock	-
18	21-64803	1	M.Elbow 90, Stl.	-
19	27-19519	1	Tube Assembly	-
20	15-00300	3	Flat Washer M10 Small OD	-

Thermostat Housing Assembly

NL1066T, H1, H2, H3



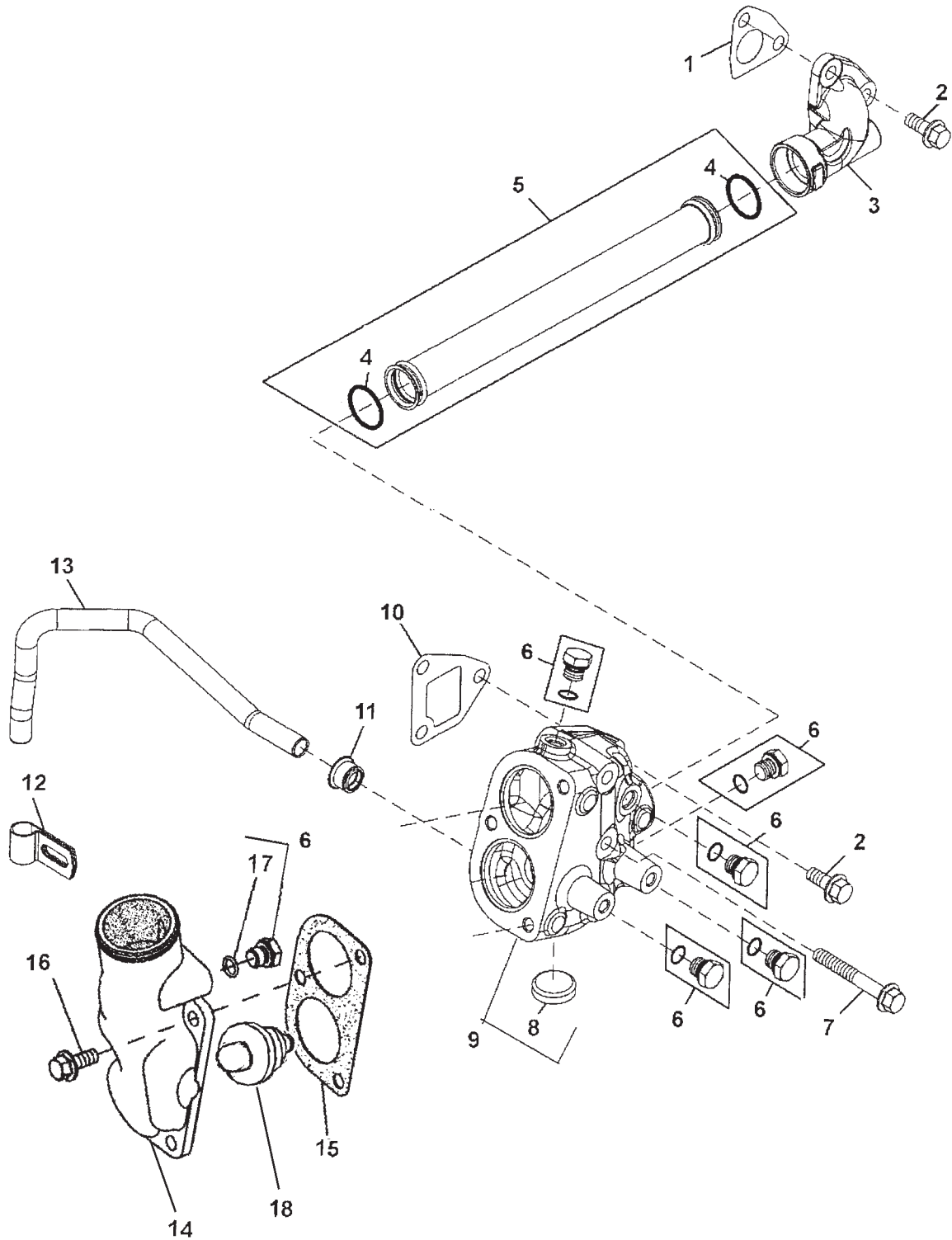
Reproduced by permission of Deere & Co., c2006. Deere & Company. All rights reserved.

RGP9832

KEY	PART NUMBER	QTY	DESCRIPTION	SERIAL NUMBER
1	R501556	1	Cover	-
2	51M7041	2	O-ring	-
3	RE46684	**	Plug	-
4	15H624	**	Pipe Plug 1/2"	-
5	19M7786	1	Capscrew, M10 x 30	-
6	R123629	1	Tube	-
7	19M7788	1	Screw, M12 x 25	-
8	R123323	1	Clamp, Cylinder Head	-
9	R123324	1	Clamp, Timing Gear Cover	-
10	R123226	1	Seal	-
11	R502814	1	Gasket	-
12	19M7809	1	Screw, M10 x 70	-
13	RE522076	1	Thermostat 180°F/ 82°C (formerly #RE506300)	-
			**As required	

Thermostat Housing Assembly

NL1066H4



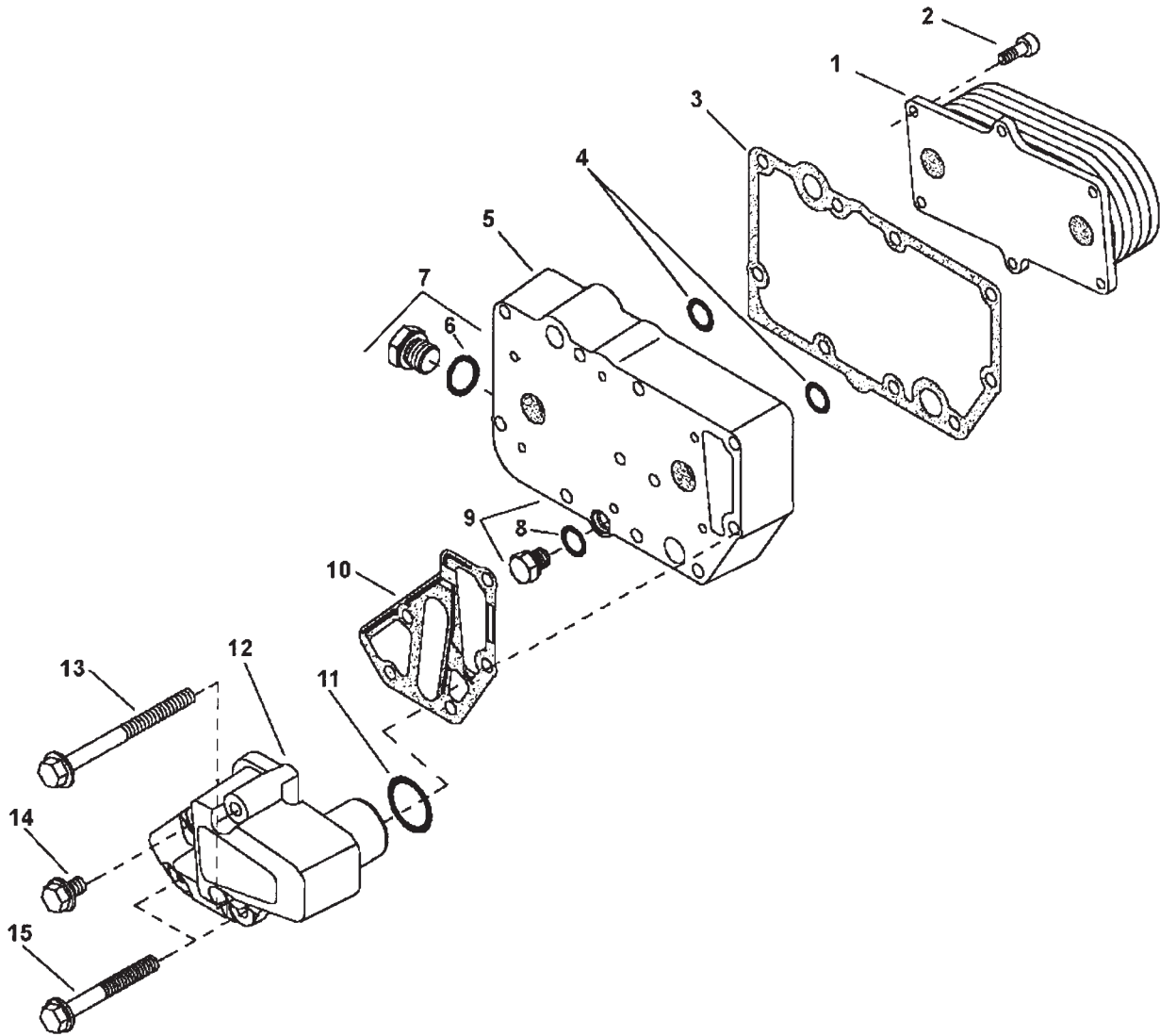
Thermostat Housing Assembly

NL1066H4

KEY	PART NUMBER	QTY	DESCRIPTION	SERIAL NUMBER
1	R505480	1	Gasket	-
2		**	Capscrew	-
3	R504754	1	Manifold	-
4	R63185	2	O-ring	-
5	RE516027	1	Tube	-
6	RE46684	**	Plug (includes key #17)	-
7	19M7810	2	Capscrew, M10 x 80	-
8	CD16284	1	Plug	-
9	RE517057	1	Housing (marked R515580)	-
10	R505479	1	Gasket	-
11	R123226	1	Seal	-
12	R123324	1	Clamp	-
13	R504854	1	Tube	-
14	R515581	1	Cover, M8 x 45	-
15	R124607	1	Gasket	-
16	19M7785	1	Capscrew, M10 x 25	-
17	51M7041	**	O-ring	-
18	AR48675	1	Thermostat, 180°F (82°C)	-
	RE33705	1	Thermostat, 180°F (82°C)	-
			**As required	

Engine Oil Cooler

L-M-NL1066T, M99C2, L1066A, M1066A1 @ 1800 RPM, NL1066H1



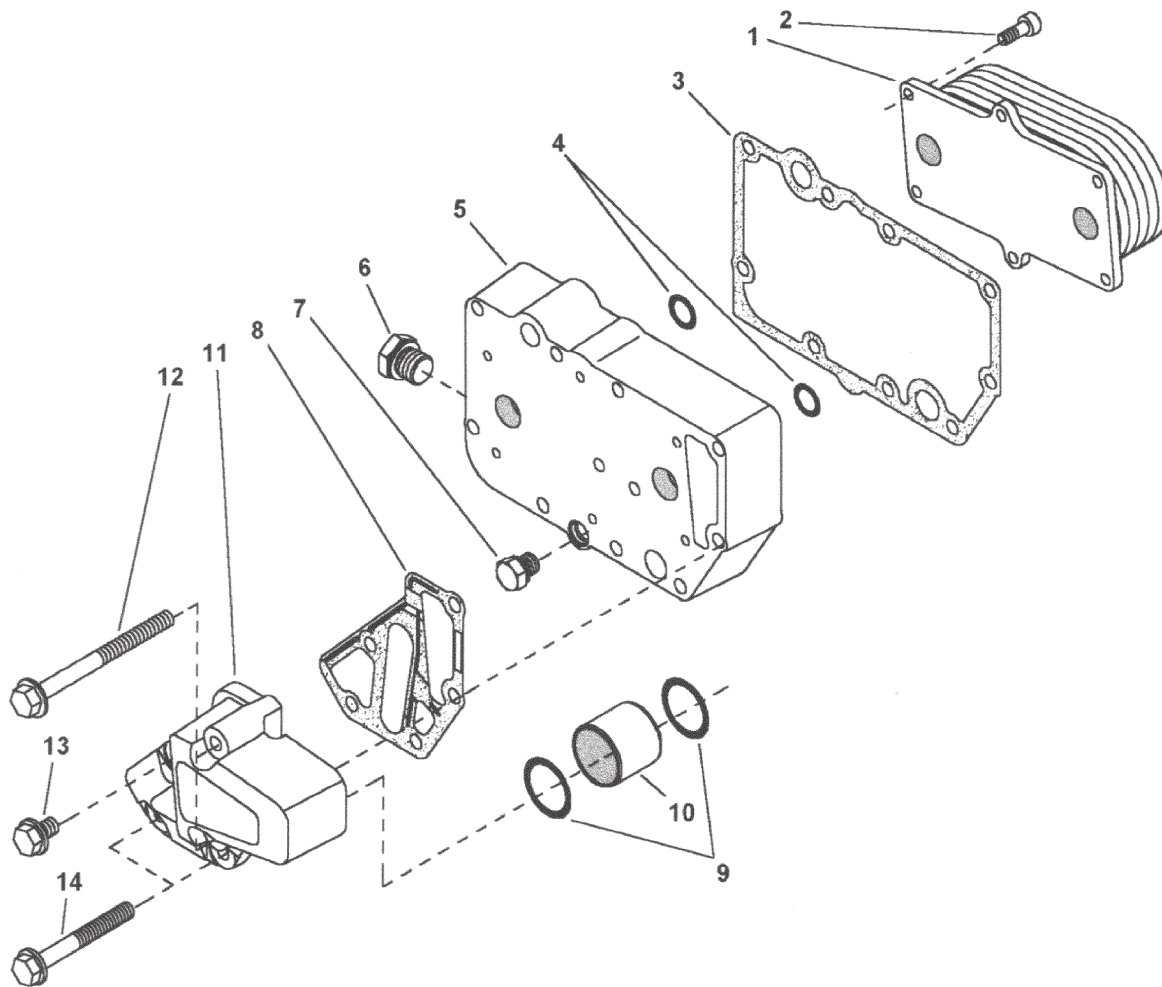
Reproduced by permission of Deere & Co., c2006. Deere & Company. All rights reserved.

RGP8307

KEY	PART NUMBER	QTY	DESCRIPTION	SERIAL NUMBER
1	RE56690	1	Oil Cooler Element	-
2	RE67231	1	Screw, M6 x 16	-
3	R123501	1	Gasket	-
4	T122075	2	O-ring	-
5	R123471	1	Housing	-
6	51M7043	1	O-ring	-
7	RE46686	1	Plug	-
8	51M7040	1	O-ring	-
9	RE46686	1	Plug	-
10	R501428	1	Gasket	-
11	R504734	1	O-ring	-
12	R502811	1	Adapter	-
13	19M7970	2	Screw, M8 x 100	-
14	RE67238	1	Screw, M8 x 20	-
15	19M7802	2	Screw, M8 x 65	-

Engine Oil Cooler

L1066A (Pleasure Craft Rating), M1066A1 @1500 RPM,
M1066A2, A3, H, NL1066H2, H3, H4



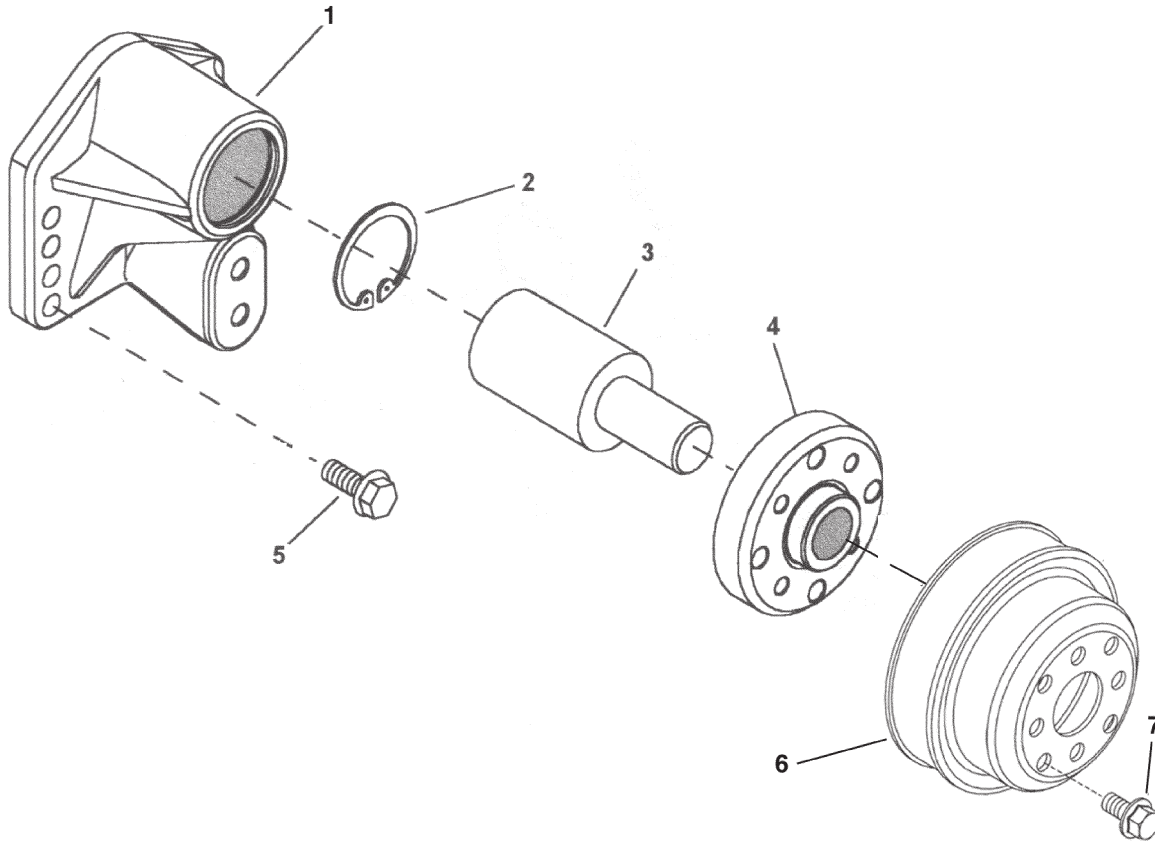
Reproduced by permission of Deere & Co., c2006. Deere & Company. All rights reserved.

RGP6253

KEY	PART NUMBER	QTY	DESCRIPTION	SERIAL NUMBER
1	RE59298	1	Oil Cooler Element	-
2	RE67231	1	Screw, M6 x 16	-
3	R123501	1	Gasket	-
4	T122075	2	O-ring	-
5	R123471	1	Housing	-
6	RE46685	1	Plug	-
7	RE46686	1	Plug	-
8	R501428	1	Gasket	-
9	R61105	2	O-ring	-
10	R115252	1	Tube	-
11	R135177	1	Adapter	-
12	19M7970	2	Screw, M8 x 100	-
13	RE67238	1	Screw, M8 x 20	-
14	19M7802	2	Screw, M8 x 65	-

Idler Shaft Assembly

L- M1066T, M99C2



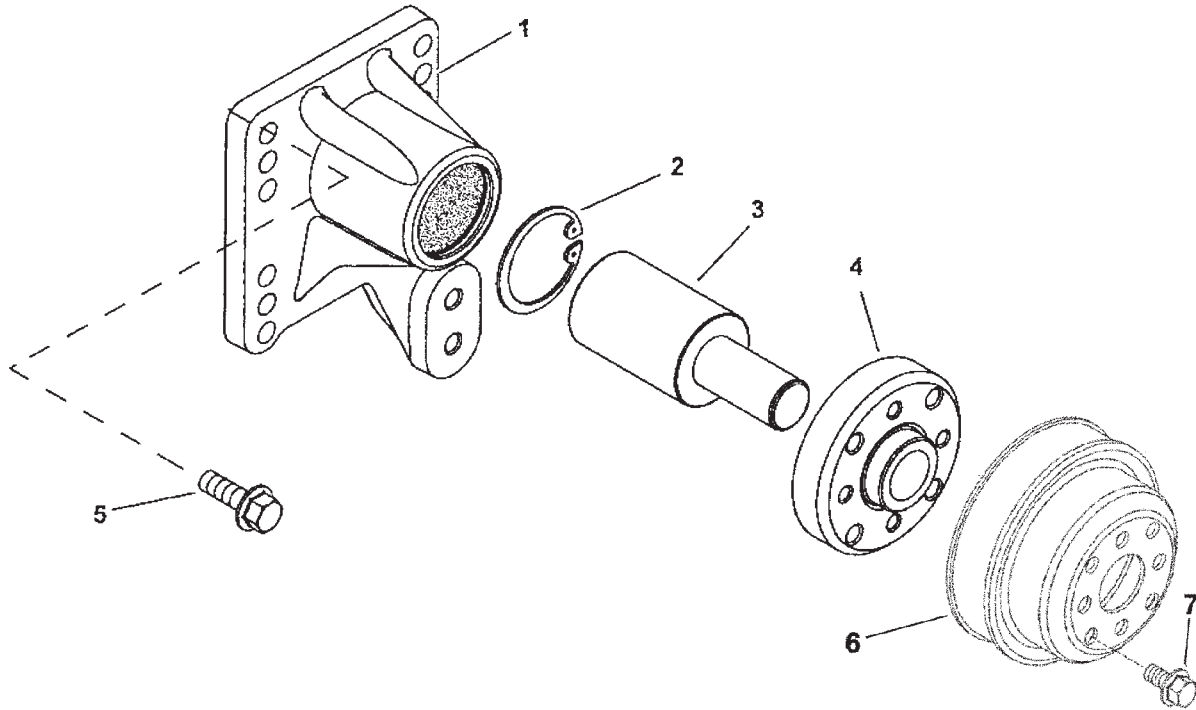
Reproduced by permission of Deere & Co., c2006. Deere & Company. All rights reserved.

RGP6123 & RGP6278

KEY	PART NUMBER	QTY	DESCRIPTION	SERIAL NUMBER
1	RE500539	1	Idler Shaft (includes keys 2-4)	-
2	H80753	1	Snap Ring	-
3		1	Bearing*	-
4	R500539	1	Hub	-
5	19M7835	4	Capscrew, M10 x 35 mm	-
6	R128660	1	Pulley, 168 mm O.D.	-
7	19M7784	4	Screw	-
*Not available separately - use RE500539				

Idler Shaft Assembly & Fan Pulley

NL1066T



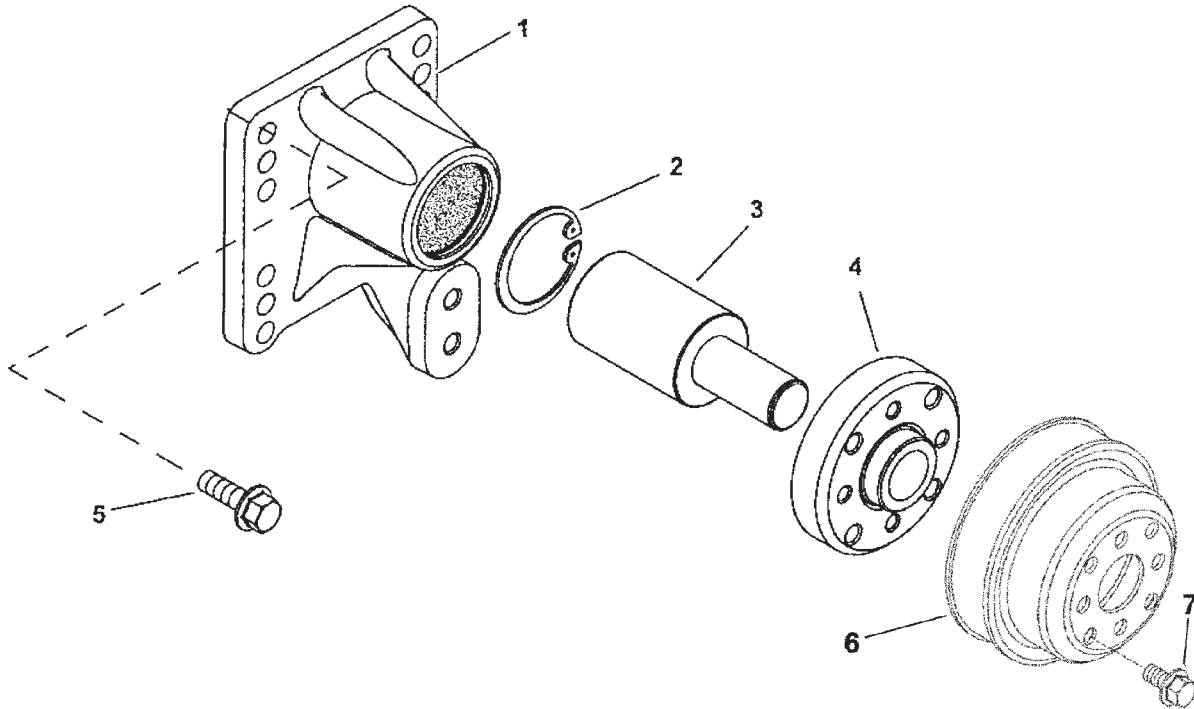
Reproduced by permission of Deere & Co., c2006. Deere & Company. All rights reserved.

RGP9065

KEY	PART NUMBER	QTY	DESCRIPTION	SERIAL NUMBER
1	RE500538	1	Idler Shaft (includes keys #2-4)	-
2	E1343FN	1	Snap Ring	-
3		1	Shaft*	-
4		1	Hub*	-
5	19M7835	4	Capscrew, Hex Head Flanged M10 x 1.5 x 30 mm	-
6	R128658	1	Pulley, 140 mm O.D.	-
7	19M7784	4	Capscrew, Hex Head Flanged M10 x 1.5 x 20 mm	-
*No longer available separately - order complete Idler Shaft assembly.				

Idler Shaft Assembly

L1066A, M1066A1, A2, A3, NL1066H1, H2, H3



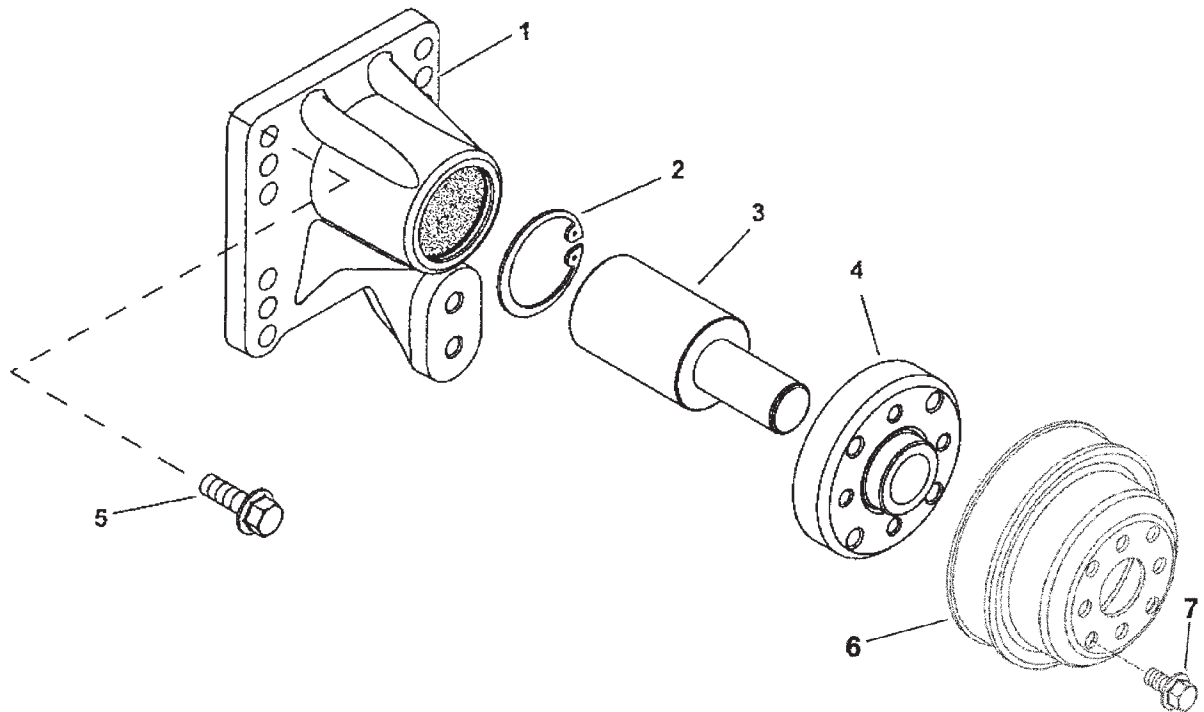
Reproduced by permission of Deere & Co., c2006. Deere & Company. All rights reserved.

RG9065

KEY	PART NUMBER	QTY	DESCRIPTION	SERIAL NUMBER
1	RE503664	1	Idler Shaft (includes keys #2-4)	-
2	E1343FN	1	Snap Ring	-
3		1	Shaft*	-
4		1	Hub*	-
5	19M7835	4	Capscrew, Hex Head Flanged M10 x 1.5 x 35 mm	-
6	R128660	1	Pulley, 168 mm O.D. (L1066A, M1066A1, A2, A3)	-
	R128662	1	Pulley, 203 mm O.D. (NL1066H1, H2, H3)	-
7	19M7784	4	Capscrew, Hex Head Flanged M10 x 1.5 x 20 mm	-
*No longer available separately - order complete Idler Shaft assembly.				

Idler Shaft Assembly

L- M1066H, NL1066H4



Reproduced by permission of Deere & Co., c2006. Deere & Company. All rights reserved.

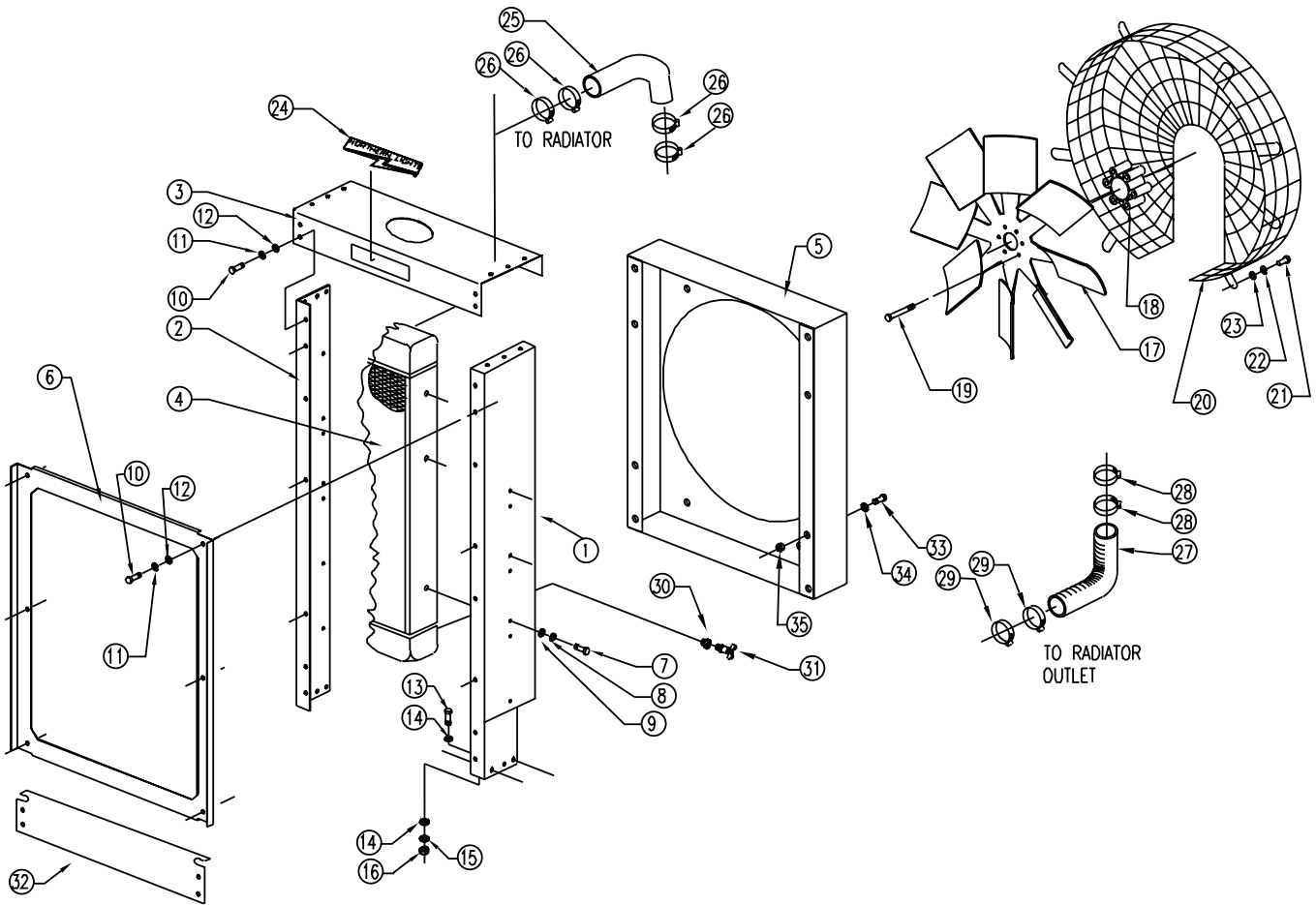
RGP9065

KEY	PART NUMBER	QTY	DESCRIPTION	SERIAL NUMBER
1	RE503664	1	Idler Shaft (includes keys #2-4)	-
2	E1343FN	1	Snap Ring	-
3		1	Shaft*	-
4		1	Hub*	-
5	19M7835	4	Capscrew, Hex Head Flanged M10 x 1.5 x 35 mm	-
6	R128660	1	Pulley, 168 mm O.D.	-
7	19M7784	4	Capscrew, Hex Head Flanged M10 x 1.5 x 20 mm	-
<p>*No longer available separately - order complete Idler Shaft assembly.</p>				

GROUP 3 - COOLING SYSTEM

Radiator & Mounting

M1066TMCA



A-11886/ D-4435

Radiator & Mounting

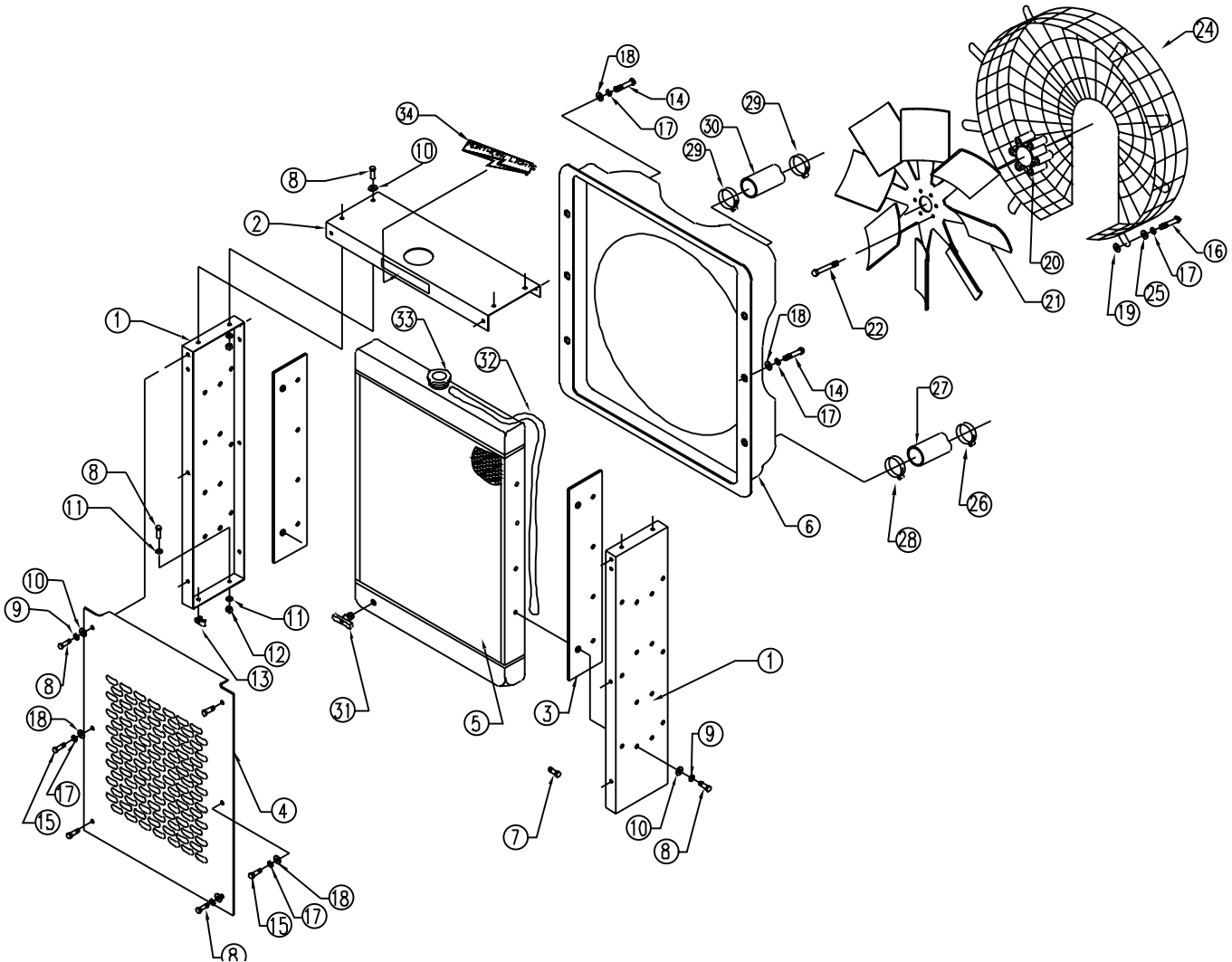
M1066TMCA

KEY	PART NUMBER	QTY	DESCRIPTION	SERIAL NUMBER
1	39-19606	1	Side Plate, Modular Radiator Guard Left hand	-
2	39-19607	1	Side Plate, Modular Radiator Guard Right hand	-
3	39-19608	1	Top Panel, Modular Radiator Guard	-
4	20-12512	1	Radiator, Heresite Coated	-
5	R132912	1	Fan Shroud	-
6	20-19601	1	Air Duct Adapter	-
7	12-09213	8	Capscrew, Hex Head 5/16- 18 x 1- 1/4" S/S	-
8	15-00222	8	Lock Washer, Helical 5/16" S/S	-
9	15-11000	8	Flat Washer 5/16" USS S/S	-
10	12-00776	22	Capscrew, Hex Head M8 x 1.25 x 20 mm S/S	-
11	15-00705	22	Lock Washer, Helical M8 S/S	-
12	15-00706	22	Flat Washer, M8 S/S	-
13	12-00832	6	Capscrew, Hex Head M10 x 1.5 x 30 mm	-
14	15-00805	12	Flat Washer M10	-
15	15-00802	6	Lock Washer, Helical M10	-
16	14-00811	6	Hex Nut, M10 x 1.5	-
17	AT34808	1	Fan 26" (Blower)	-
18	R524736	1	Fan Spacer, 4 Bolt x 100 mm	-
19	19M7898	4	Capscrew, Hex Head Flanged M10 x 1.5 x 130 mm	-
20	RE20971	1	Fan Guard	-
21	12-09312	8	Capscrew, Hex Head 3/8- 16 x 1" S/S	-
22	15-00342	8	Lock Washer, Helical 3/8" S/S	-
23	15-70006	8	Snubbing Washer S/S	-
24	00-70079	1	Label "Northern Lights"	-
25	18-12515	1	Hose, Radiator Inlet 2-1/2" I.D.	-
26	19-00040	4	Hose Clamp #40	-
27	18-12516	1	Hose, Radiator Outlet 2" I.D.	-
28	19-00032	2	Hose Clamp #32	-
29	19-00040	2	Hose Clamp #40	-
30	21-00135	1	Bushing, Brass 1/2 NPT x 1/4 NPT	-
31	21-10002	1	Drain Cock Brass 1/4 NPT	-
32	39-19611	1	Lower Valance	-

GROUP 3 - COOLING SYSTEM

Radiator & Mounting

NL1066T



A-7615/ C-5778

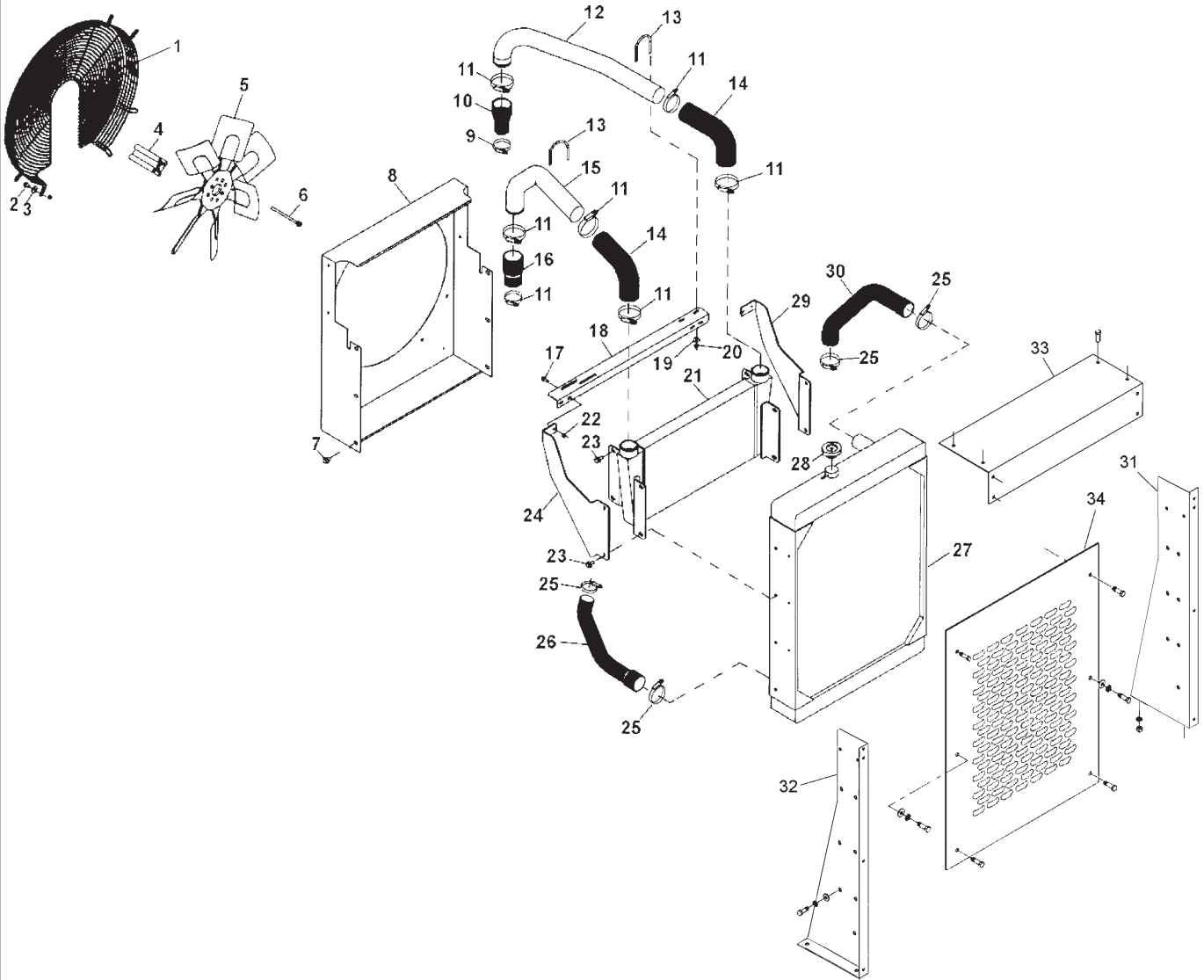
Radiator & Mounting

NL1066T

KEY	PART NUMBER	QTY	DESCRIPTION	SERIAL NUMBER
1	39-11015	2	Side Panel, Modular Radiator Guard	-
2	39-11016	1	Top Panel, Modular Radiator Guard	-
3	21-11001	2	Spacer Plate, Radiator Mtg.	-
4	39-11017	1	Grille, Modular Radiator Guard	-
5	RE64112	1	Radiator	-
6	RE64114	1	Fan Shroud	-
7	12-03310	4	Capscrew, Flh Skt 3/8- 16 x 3/4"	-
8	12-00312	24	Capscrew, Hex Head 3/8- 16 x 1"	-
9	15-00302	12	Lock Washer, Helical 3/8"	-
10	15-00321	28	Flat Washer 3/8" Narrow	-
11	15-00301	8	Flat Washer 3/8" Wide	-
12	14-00312	12	Hex Nut, Nylock 3/8- 16	-
13	14-00301	4	U-Nut 3/8- 16	-
14	12-00212	6	Capscrew, Hex Head 5/16- 18 x 1"	-
15	12-00209	2	Capscrew, Hex Head 5/16- 18 x 3/4"	-
16	12-00213	4	Capscrew, Hex Head 5/16- 18 x 1 1/4"	-
17	15-00202	12	Lock Washer, Helical 5/16	-
18	15-00221	8	Flat Washer 5/16" SAE	-
19	15-00708	4	Stud Washer 8.4mm ID x 21mm OD x 4mm	-
20	R128442	1	Fan Spacer 4 Bolt 49mm	-
21	AT24834	1	Fan 23" (Blower)	-
22	12-80049	4	Capscrew, Hex Head Flanged Socket, 10x1.5 x 80mm GR	-
24	RE57059	1	Fan Guard	-
25	15-70004	4	Snubbing Washer S/S 0.25" ID x 0.84	-
26	19-00032	1	Hose Clamp #32	-
27	R128480	1	Hose, Radiator Outlet	-
28	19-00036	1	Hose Clamp #36	-
29	19-00028	2	Hose Clamp #28	-
30	R128455	1	Hose, Radiator Inlet	-
31	21-10002	1	Drain Cock, Brass 1/4 NPT	-
32	41-01013	1	Hose, Polyvinyl 5/16" ID x 7/16" OD	-
33	RE64092	1	Cap, Coolant Fill 10 PSI	-
34	00-70082	1	Label, "Northern Lights" 2' x 22"	-

Radiator & Mounting

NL1066H1-H2-H3



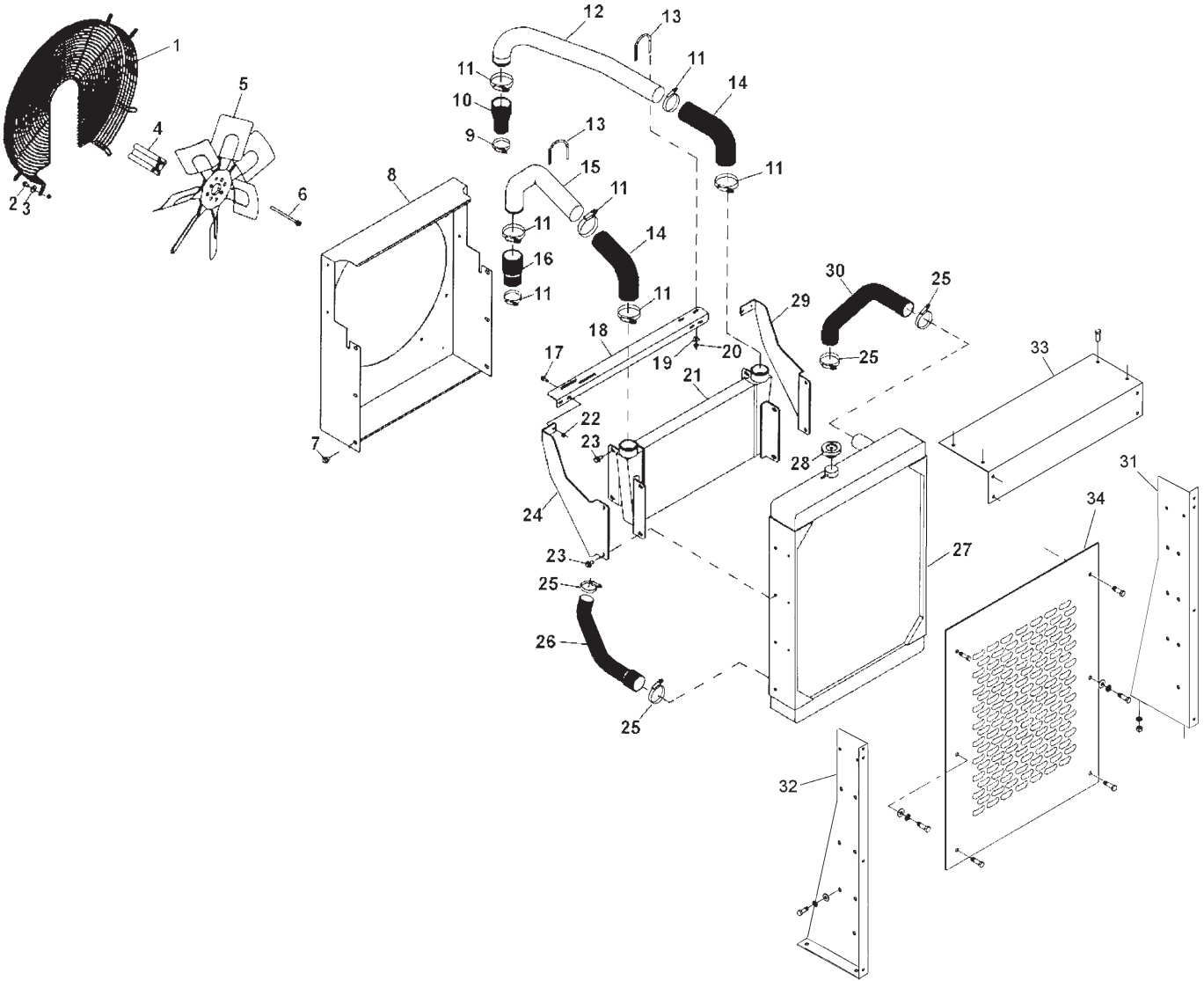
Radiator & Mounting

NL1066H1-H2-H3

KEY	PART NUMBER	QTY	DESCRIPTION	SERIAL NUMBER
1	RE56601	1	Fan Guard	-
2	19M7784	8	Capscrew, Hex Head Flanged M10 x 1.5 x 20 mm	-
3	24M7178	8	Washer	-
4	R517241	1	Spacer	-
5	AT262316	1	Fan-Blower (28")	-
6	19M9017	4	Screw, Flange	-
7	19M8242	4	Screw	-
8	RE519073	1	Shroud	-
9	AH170895	2	Clamp Band, Constant Torque	-
10	T162878	1	Hose, Silicone	-
11	RE52702	6	Hose Clamp, Constant Tension Type	-
12	R517238	1	Tube, Charge Air Cooler Inlet	-
13	R517331	2	U-bolt	-
14	T161983	1	Hose, Aftercooler	-
15	R517228	1	Tube, Charge Air Cooler Outlet	-
16	T162878	1	Hose, Silicone	-
17	19M7867	4	Capscrew, Hex Head Flanged M8 x 1.25 x 25 mm	-
18	R517428	1	Support	-
19	24M7024	4	Washer	-
20	14M7396	4	Nut	-
21	RE519072	1	Aftercooler	-
22	14M7298	4	Hex Nut, Flanged M8 x 1.25	-
23	19M7788	4	Capscrew, Hex Head Flanged M12 x 1.75 x 25 mm	-
24	RE519634	1	Bracket, Right Hand for Air Flow Tube Support	-
25	TY22472	4	Hose Clamp #44	-
26	R517215	1	Hose, Radiator Outlet	-
27	RE64410	1	Radiator	-
28	RE24897	1	Cap, Radiator w/ Cover	-
29	RE519635	1	Bracket, Left Hand for Air Flow Tube Support	-
30	R517226	1	Hose, Radiator Inlet	-
31	39-19601	1	Side Panel, Left Hand	-
32	39-19602	1	Side Panel, Right Hand	-
33	39-19603	1	Top Panel	-
34	39-19604	1	Grille	-
35	R123451	1	Drive Belt, Poly-V 1605 mm (not shown)	-
36	00-70082	1	Label, "Northern Lights" (not shown)	-

Radiator & Mounting

NL1066H4



Radiator & Mounting

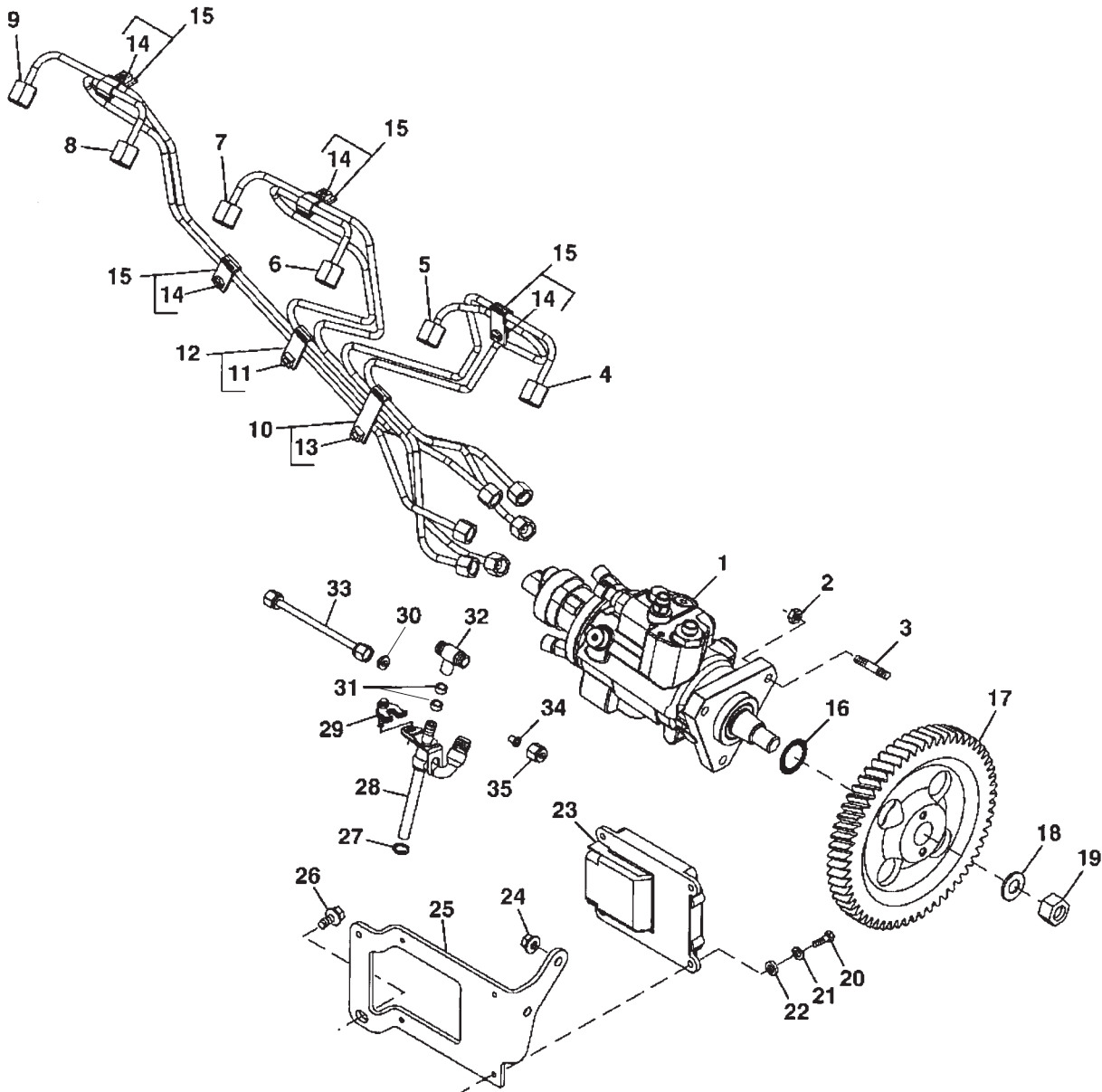
NL1066H4

KEY	PART NUMBER	QTY	DESCRIPTION	SERIAL NUMBER
1	RE56601	1	Fan Guard	-
2	19M7784	8	Capscrew, Hex Head Flanged M10 x 1.5 x 20 mm	-
3	24M7178	8	Washer	-
4	R517241	1	Spacer	-
5	AT262316	1	Fan-Blower (28")	-
6	19M9017	4	Screw, Flange	-
7	19M8242	4	Screw	-
8	RE519073	1	Shroud	-
9	AH170895	2	Clamp Band, Constant Torque	-
10	T162878	1	Hose, Silicone	-
11	RE52702	6	Hose Clamp, Constant Tension Type	-
12	R517238	1	Tube, Charge Air Cooler Inlet	-
13	R517331	2	U-bolt	-
14	T161983	2	Hose, Aftercooler	-
15	R517239	1	Tube, Charge Air Cooler Outlet	-
16	H152403	1	Hose - Intake (Reducer)	-
17	19M7867	4	Capscrew, Hex Head Flanged M8 x 1.25 x 25 mm	-
18	R517428	1	Support	-
19	24M7024	4	Washer	-
20	14M7396	4	Nut	-
21	RE519072	1	Aftercooler	-
22	14M7298	4	Hex Nut, Flanged M8 x 1.25	-
23	19M7788	4	Capscrew, Hex Head Flanged M12 x 1.75 x 25 mm	-
24	RE519634	1	Bracket, Right Hand for Air Flow Tube Support	-
25	TY22472	4	Hose Clamp #44	-
26	R517215	1	Hose, Radiator Outlet	-
27	RE64410	1	Radiator	-
28	RE24897	1	Cap, Radiator w/ Cover	-
29	RE519635	1	Bracket, Left Hand for Air Flow Tube Support	-
30	R517214	1	Hose, Radiator Inlet	-
31	39-19601	1	Side Panel, Left Hand	-
32	39-19602	1	Side Panel, Right Hand	-
33	39-19603	1	Top Panel	-
34	39-19604	1	Grille	-
35	R123436	1	Drive Belt, Poly-V 1580 mm (not shown)	-
36	00-70082	1	Label, "Northern Lights" (not shown)	-

GROUP 4 - FUEL SYSTEM

Fuel Injection System

L- M- NL1066T, M99C2, M1066A1 @ 1800 RPM - M1066A @ 1500 RPM - NL1066H1
DE10 System



Fuel Injection System

L- M- NL1066T, M99C2, M1066A1 @ 1800 RPM - M1066A @ 1500 RPM - NL1066H1
DE10 System

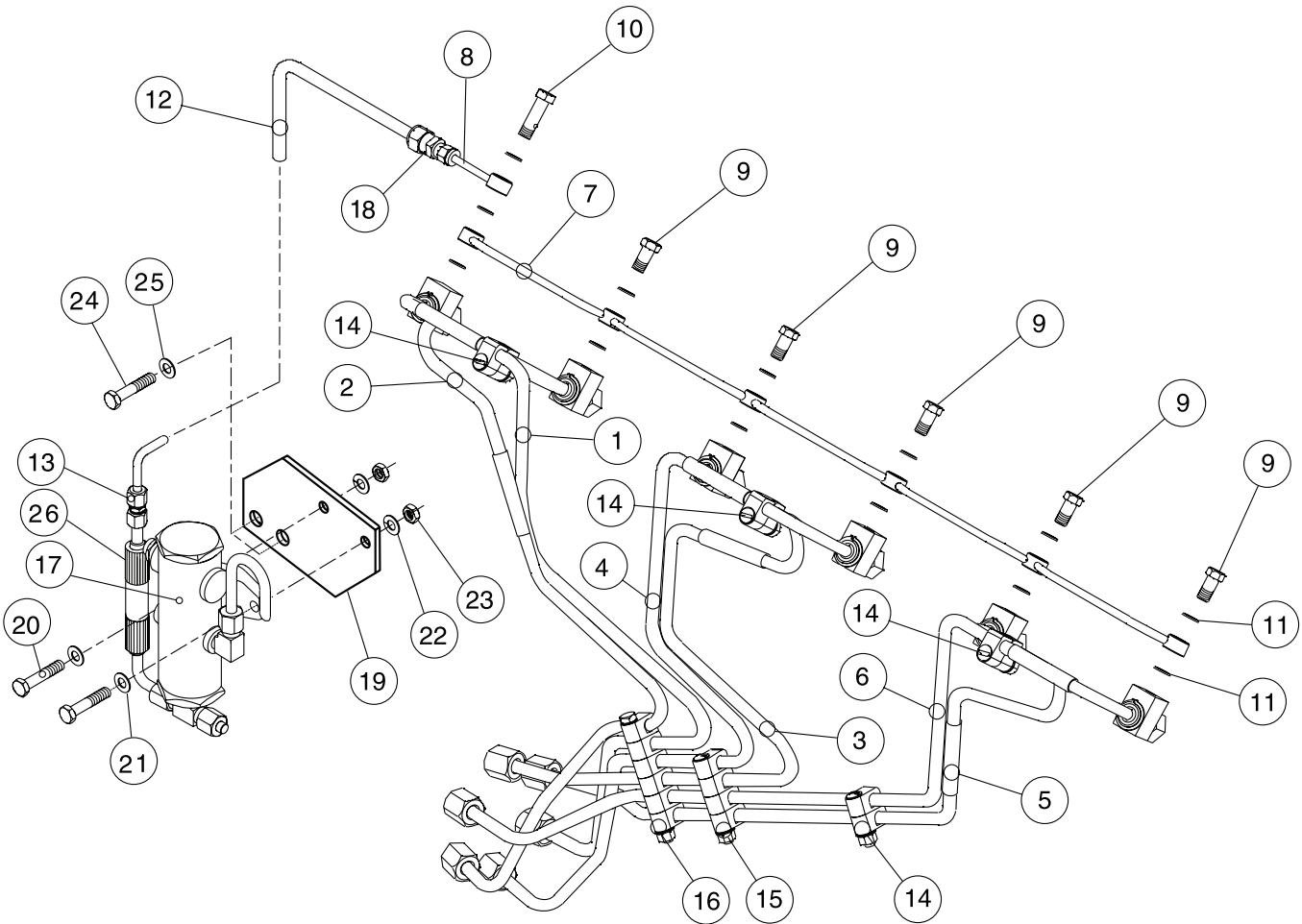
KEY	PART NUMBER	QTY	DESCRIPTION	SERIAL NUMBER
1	RE518089	1	Injection Pump (marked RE518164) M1066T @1500 RPM	up to xxxx-42303
	RE518089	1	Injection Pump (marked RE518164) L-M-NL1066T, M99C@ @1800 RPM	
	RE518088	1	Injection Pump (marked RE518165) M1066T - A @1500 RPM	from xxxx-42304
	RE518088	1	Injection Pump (marked RE518165) M1066A1 @1800 RPM and NL1066H1	
2	14M7298	3	Flange Nut, No. 5	-
3	R116386	3	Stud	-
4	RE515228	1	Fuel Line, No. 1	-
5	RE515229	1	Fuel Line, No. 2	-
6	RE515230	1	Fuel Line, No. 3	-
7	RE515231	1	Fuel Line, No. 4	-
8	RE515232	1	Fuel Line, No. 5	-
9	RE515233	1	Fuel Line, No. 6	-
10	RE19800	1	Clamp	-
11	19M8560	1	Capscrew	-
12	RE20901	1	Clamp	-
13	19M6614	1	Capscrew	-
14	19M6614	5	Capscrew, M6 x 12	-
15	RE19797	4	Clamp	-
16	R502076	1	Back-up Ring	-
17	R505472	1	Gear (60 Teeth)	-
18	R132874	1	Washer	-
19	R91360	1	Nut	-
20	19M7640	4	Capscrew	-
21	12H316	4	Lock Washer, No. 6	-
22	24M7027	4	Washer	-
23		1	Engine Controller (see Application Chart)	
24	14M7298	2	Flange Nut, M8	-
25	R503520	1	Bracket	-
26	19M7784	1	Capscrew, M10 x 20 mm	-
27	R92352	6	Packing	-
28	RE531436	6	Fuel Injector (new, formerly #RE507766)	-
	SE501103	1	Fuel Injector (reconditioned)	-
29	RE508716	6	Clamp	-
30	R51936	**	Tube Seal	-
31	16-59502	12	O-ring (2 ea. per injector)	-
32	R531438	6	Tee Fitting	-
33	RE68748	4	Tube Assembly (includes #30)	-
34	AR85519	2	Plug	-
35	R123593	2	Tube Nut	-
36	RE521822	1	Temperature Sensor (Fuel) not shown	-
37	RE521823	1	Pressure Sensor	-

**As required

GROUP 4 - FUEL SYSTEM

Fuel Injection System - Double Wall Fuel Lines

L- M1066T, M99C2, M1066A1 @ 1800 RPM - M1066A @ 1500 RPM
DE10 System



ST14555-2

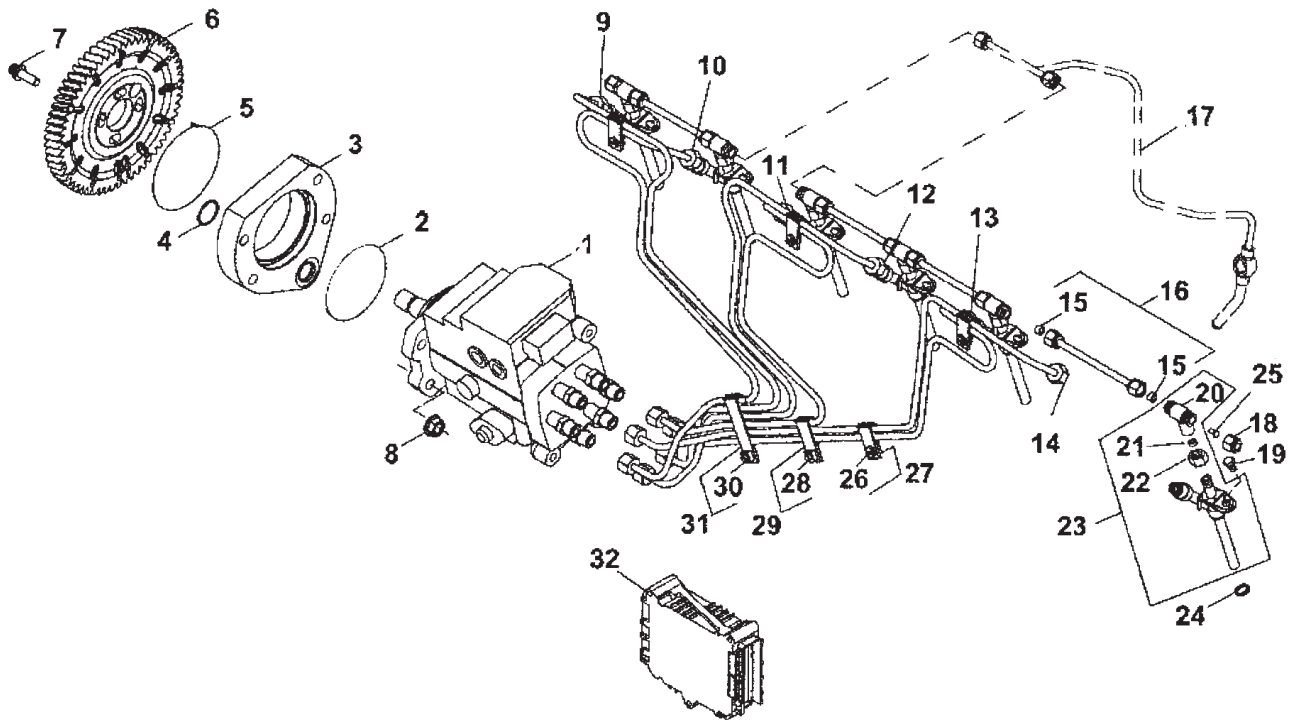
Fuel Injection System - Double Wall Fuel Lines

L- M1066T, M99C2, M1066A1 @ 1800 RPM - M1066A @ 1500 RPM
DE10 System

KEY	PART NUMBER	QTY	DESCRIPTION	SERIAL NUMBER
1	27-59621	1	Injection Line #1 Double Wall	-
2	27-59622	1	Injection Line #2 Double Wall	-
3	27-59623	1	Injection Line #3 Double Wall	-
4	27-59624	1	Injection Line #4 Double Wall	-
5	27-59625	1	Injection Line #5 Double Wall	-
6	27-59626	1	Injection Line #6 Double Wall	-
7	27-59615	1	Tube, Fuel Return to Alarm Tank	-
8	27-59506	1	Tube, Fuel Return to Alarm Tank	-
9	21-59504	5	Banjo Bolt, M8 x .75 x 16 mm	-
10	21-59516	1	Banjo Bolt	-
11	15-59501	13	Sealing Washer, Copper M8	-
12	18-59508	1	Hose Assembly 1/4" I.D. x 600 mm S/S TFE	-
13	21-55703	1	Compression Union, Steel 8 mm	-
14	19-55701	4	Clamp Assembly 2 Lines	-
15	19-50011	1	Clamp Assembly 4 Lines	-
16	19-50013	1	Clamp Assembly 6 Lines	-
17	10-50002	1	Alarm Tank Assembly	-
18	21-50041	1	Reducing Union, Brass 3/16 x 5/16	-
19	23-59601	1	Bracket, Alarm Tank Mtg	-
20	12-00711	2	Capscrew, Hex Head M8 x 1.25 x 20 mm	-
21	15-00701	2	Flat Washer M8	-
22	15-00702	2	Lock Washer, Helical M8	-
23	14-00711	2	Hex Nut M8 x 1.25	-
24	12-00911	2	Capscrew, Hex Head M12 x 1.75 x 20 mm	-
25	15-00912	2	Lock Washer, Helical M12	-
26	18-59509	1	Hose Assembly, 1/4" I.D. x 6 " S/S TFE	-

Fuel Injection System

L1066A, M1066A1 @1500 RPM, M1066A2- A3, NL1066H2- H3
VP44 System



Fuel Injection System

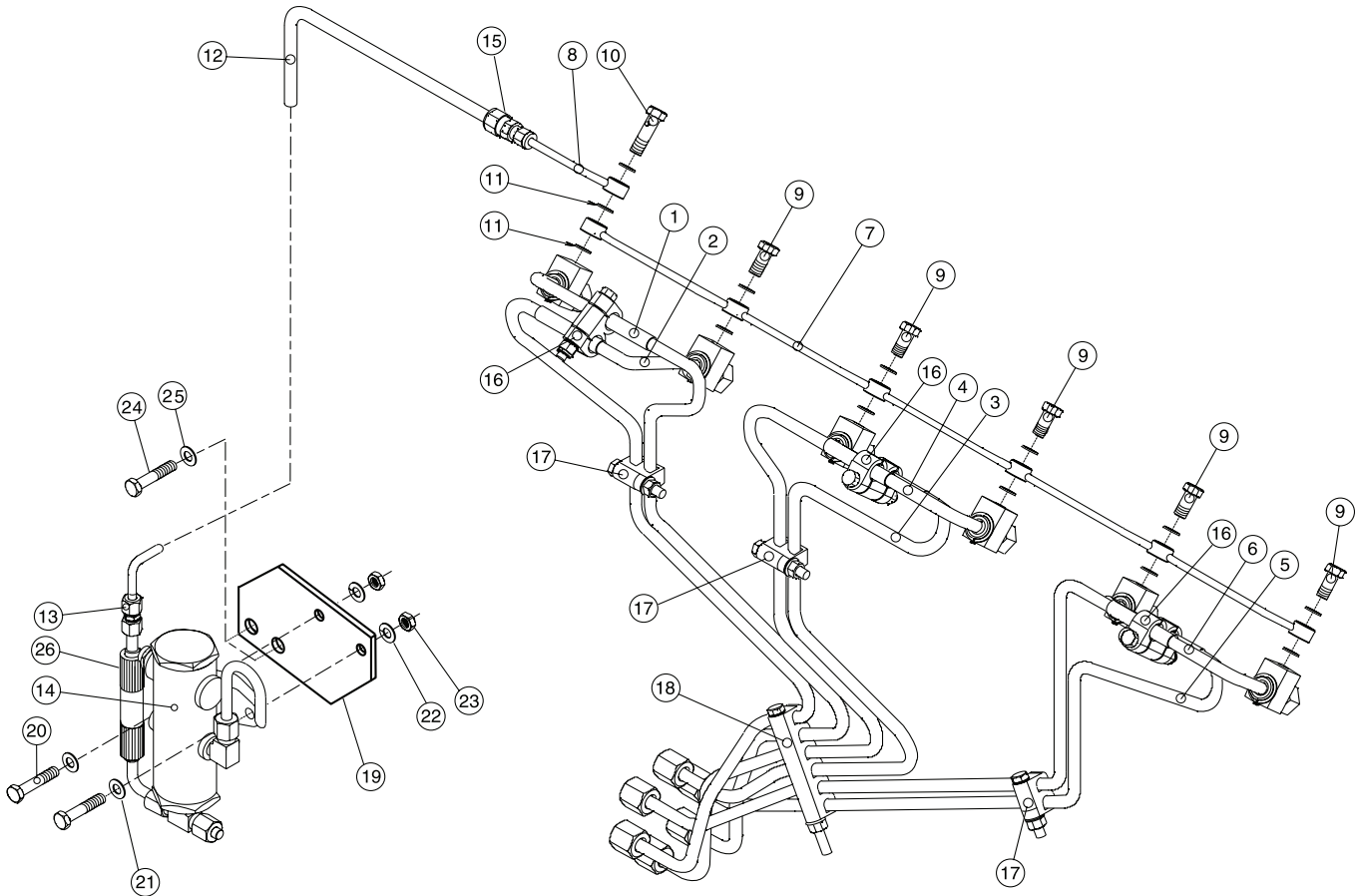
L1066A, M1066A1 @1500 RPM, M1066A2- A3, NL1066H2- H3
VP44 System

KEY	PART NUMBER	QTY	DESCRIPTION	SERIAL NUMBER
1	RE506680	1	Injection Pump, 12 Volt (L1066A- M1066A1 @1500 RPM, M1066A2, NL1066H2)	-
	RE522826	1	Injection Pump, 24 Volt (L1066A- M1066A1 @1500 RPM, M1066A2, NL1066H2)	-
	RE515887	1	Injection Pump, 12 Volt (M1066A3- NL1066H3)	-
	RE515888	1	Injection Pump, 24 Volt (M1066A3- NL1066H3)	-
2	R54873	1	O-ring	-
3	R501039	1	Adapter	-
4	T76938	1	O-ring	-
5	R123295	1	O-ring	-
6	R515150	1	Gear	-
7	RE504798	4	Screw	-
8	14M7296	4	Flange Nut	-
9	RE507653	1	Fuel Line, No. 1	-
10	RE507654	1	Fuel Line, No. 2	-
11	RE507655	1	Fuel Line, No. 3	-
12	RE507656	1	Fuel Line, No. 4	-
13	RE507657	1	Fuel Line, No. 5	-
14	RE507658	1	Fuel Line, No. 6	-
15	R51936	**	Sealing Washer	-
16	RE68748	4	Tube (includes 2 of key #15)	-
17	27-59613	1	Tube Assembly, Fuel Return	-
18	R123593	2	Tube Nut	-
19	R116366	6	Screw	-
20	R71963	6	Tee Fitting	-
21	R79605	6	Washer	-
22	R79604	6	Tube Nut	-
23	RE505079	6	Fuel Injector (M1066A3- NL1066H3)	-
	RE507948	6	Fuel Injector (L1066A- M1066A1 @1500 RPM, M1066A2- NL1066H2, formerly RE506688)	-
24	T27860	3	Washer	-
25	AR85519	2	Plug	-
26	19M7923	4	Capscrew, M6 x 12	-
27	RE19797	4	Clamp	-
28	19M8560	1	Capscrew, M6 x 12	-
29	RE20901	1	Clamp	-
30	19M7923	1	Capscrew, M6 x 12	-
31	RE19800	1	Clamp	-
32		1	Engine Controller, 12V (See Application Chart)	-
			**As required	

GROUP 4 - FUEL SYSTEM

Fuel Injection System - Double Wall Fuel Lines

L1066A, M1066A1 @ 1500 RPM, and M1066A2, A3
VP44 System



ST14476-1

Fuel Injection System - Double Wall Fuel Lines

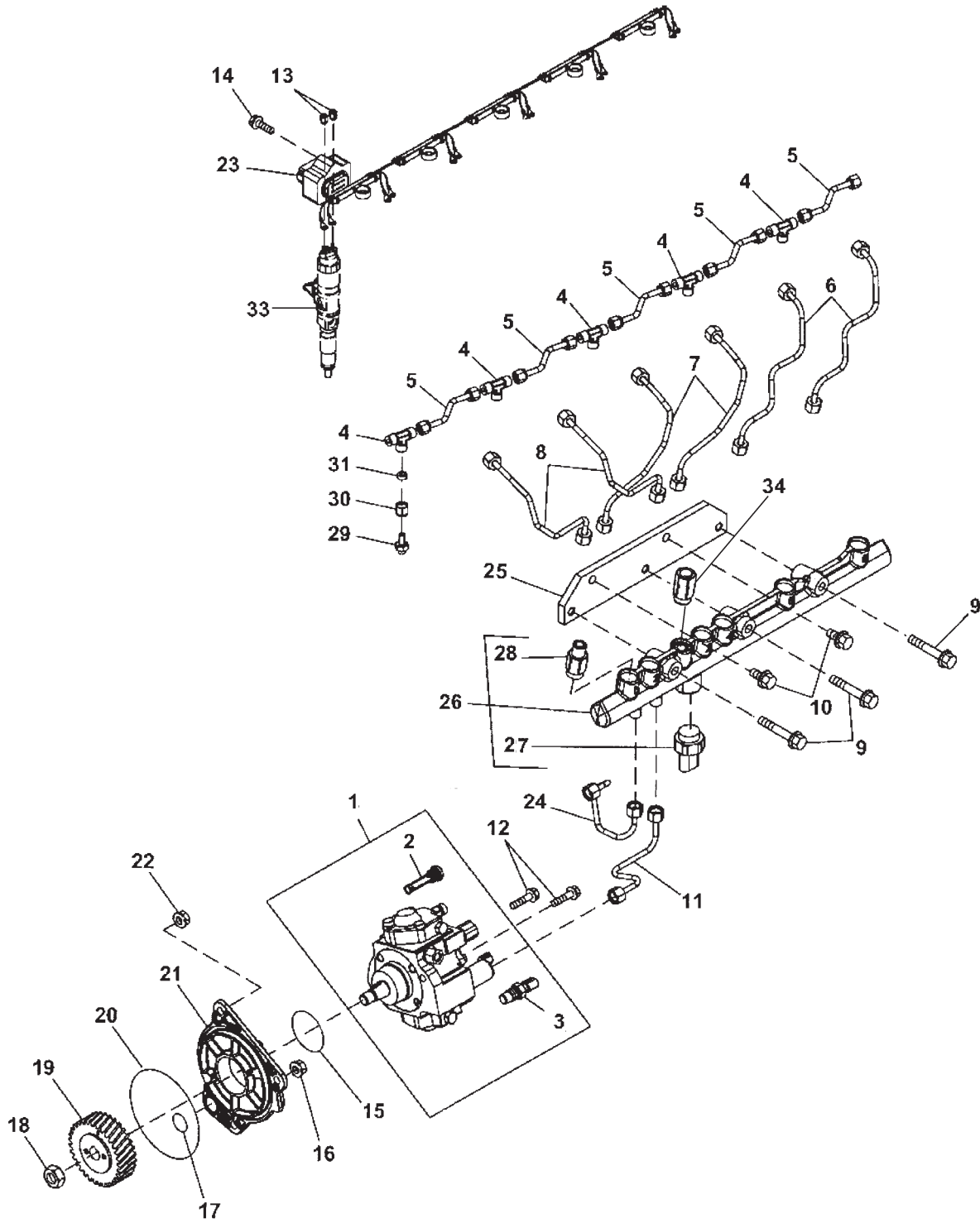
L1066A, M1066A1 @ 1500 RPM, and M1066A2, A3
VP44 System

KEY	PART NUMBER	QTY	DESCRIPTION	SERIAL NUMBER
1	27-59631	1	Injection Line #1 Double Wall	-
2	27-59632	1	Injection Line #2 Double Wall	-
3	27-59633	1	Injection Line #3 Double Wall	-
4	27-59634	1	Injection Line #4 Double Wall	-
5	27-59635	1	Injection Line #5 Double Wall	-
6	27-59636	1	Injection Line #6 Double Wall	-
7	27-59615	1	Tube, Fuel Return to Alarm Tank	-
8	27-59506	1	Tube, Fuel Return to Alarm Tank	-
9	21-59504	5	Banjo Bolt M8 x .75 x 16 mm	-
10	21-59516	1	Banjo Bolt	-
11	15-59501	12	Sealing Washer, Copper M8	-
12	18-59508	1	Hose Assembly 1/4" I.D. x 600 mm S/S	-
13	21-55703	1	Compression Union, Steel 8 mm	-
14	10-50002	1	Alarm Tank Assembly	-
15	21-50041	1	Reducing Union, Brass 3/16 x 5/16	-
16	19-59601	3	Clamp Assembly, 2 Lines	-
17	19-59602	2	Clamp Assembly, 2 Lines	-
18	19-50013	1	Clamp Assembly, 6 Lines	-
19	23-59601	1	Bracket, Alarm Tank Mtg.	-
20	12-00711	2	Capscrew, Hex Head M8 x 1.25 x 20 mm	-
21	15-00701	2	Flat Washer M8	-
22	15-00702	2	Lock Washer, Helical M8	-
23	14-00711	2	Hex Nut M8 x 1.25	-
24	12-00911	2	Capscrew, Hex Head M12 x 1.75 x 20 mm	-
25	15-00912	2	Lock Washer, Helical M12	-
26	18-59509	1	Hose Assembly, 1/4" I.D. x 6" S/S TFE	-

GROUP 4 - FUEL SYSTEM

Fuel Injection System

L- M1066H, NL1066H4



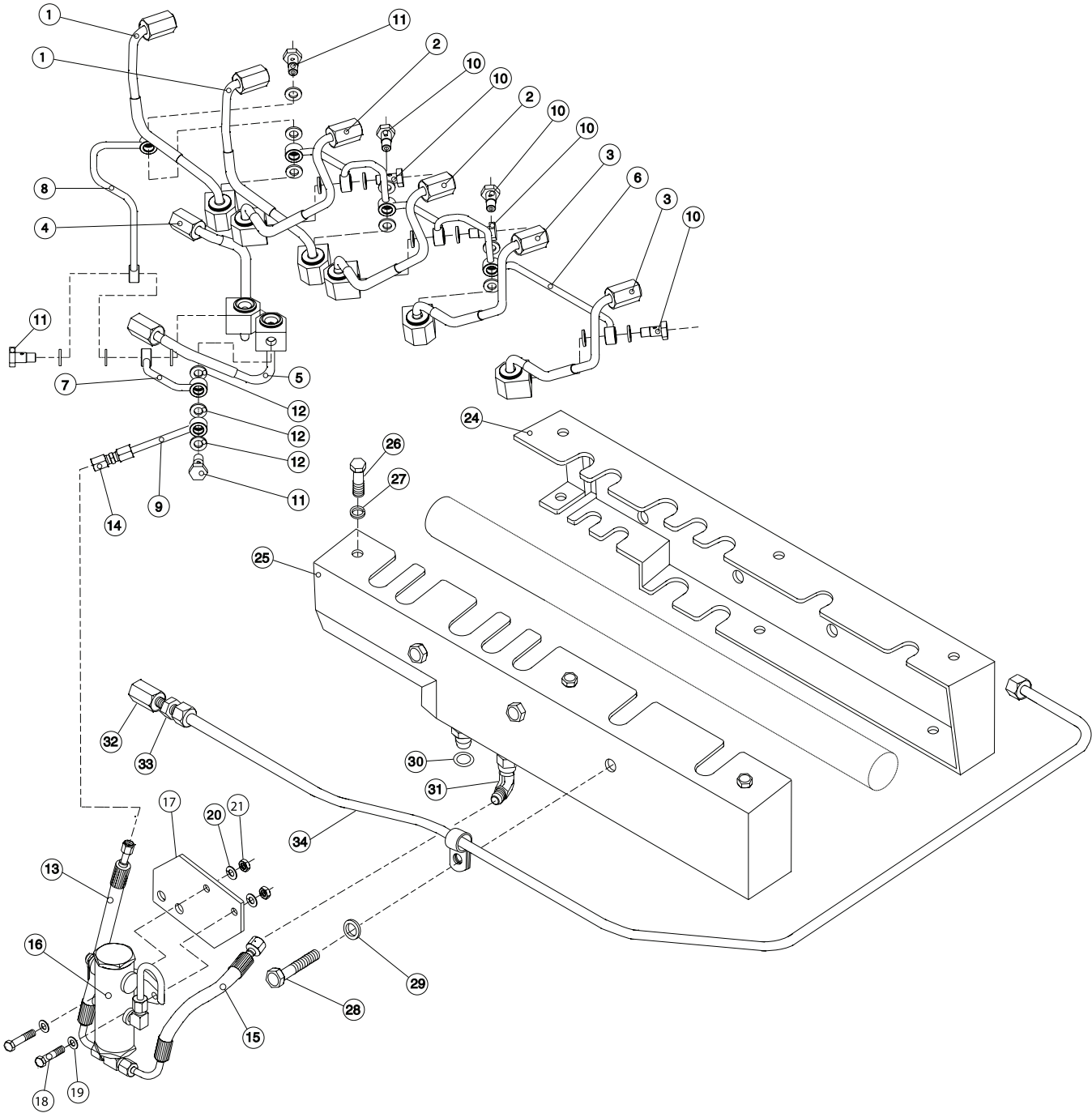
Fuel Injection System

L- M1066H, NL1066H4

KEY	PART NUMBER	QTY	DESCRIPTION	SERIAL NUMBER
1	RE507959	1	Fuel Injection Pump	-
2	R516999	1	Screen	-
3	RE516336	1	Sensor, Fuel Temperature	-
4	R97061	6	Tee Fitting	-
5	R503307	4	Tube	-
6	RE507541	2	Fuel Line, No. 5 & 6	-
7	RE507540	2	Fuel Line, No. 3 & 4	-
8	RE507539	2	Fuel Line, No. 1 & 2	-
9	19M8528	3	Capscrew, M10 x 55 mm, No. 3	-
10	19M7784	2	Capscrew, M10 x 20 mm, No. 4	-
11	RE507538	1	Fuel Line, No. 5	-
12	19M7868	2	Capscrew, M8 x 30 mm, No. 6	-
13	R134920	12	Nut	-
14	19M7775	2	Capscrew, M6 x 16 mm	-
15	R516125	1	O-ring	-
16	14M7298	1	Flange Nut	-
17	R55453	1	O-ring	-
18	R91360	1	Nut	-
19	R502541	1	Gear, 30 Teeth	-
20	R116031	1	O-ring	-
21	R504577	1	Adapter	-
22	14M7298	2	Flange Nut, M8	-
23	RE509093	1	Wiring Harness	-
24	RE507537	1	Fuel Line	-
25	R504239	1	Bracket	-
26	RE507863	1	Fuel Manifold Assembly (includes keys 27- 28)	-
27	RE520930	1	Sensor, Fuel Pressure (former #RE515635)	-
28	RE515636	6	Restrictor	-
29	R503308	6	Fitting	-
30	R123593	14	Tube Nut	-
31	R51936	14	Sealing Washer	-
32	RE517370	1	Fitting Plug (not shown)	-
33	RE519730	6	Fuel Injector	-
34	RE516335	1	Relief Valve	-

Double Wall Injection Lines and Alarm Tank

L- M1066H High Pressure Common Rail



A-10636/ ST14487-1

Double Wall Injection Lines and Alarm Tank

L- M1066H High Pressure Common Rail

KEY	PART NUMBER	QTY	DESCRIPTION	SERIAL NUMBER
1	27-59512	2	Injection Line #1 and #2 Double Wall	-
2	27-59534	2	Injection Line #3 and #4 Double Wall	-
3	27-59656	2	Injection Line #5 and #6 Double Wall	-
4	27-59504	1	Tube Assembly, HPCR Manifold Inlet #1	-
5	27-59505	1	Tube Assembly, HPCR Manifold Supply #2	-
6	27-59620	1	Tube, Fuel Return to Alarm Tank	-
7	27-59507	1	Tube, Fuel Return to Alarm Tank, Low	-
8	27-59508	1	Tube, Fuel Return to Alarm Tank	-
9	27-59509	1	Tube, Fuel Return to Alarm Tank	-
10	21-59517	5	Banjo Bolt	-
11	15-59518	3	Banjo Bolt, Double Length	-
12	15-55701	19	Banjo Washer	-
13	18-59512	1	Hose Assembly, 1/4" I.D. x 12" S/S	-
14	21-59514	1	Reducing Union, Steel 8 mm x 6 mm	-
15	18-59513	1	Hose Assembly 1/4" I.D. x 13" S/S	-
16	10-50002	1	Alarm Tank Assembly	-
17	23-59601	1	Bracket, Alarm Tank Mtg.	-
18	12-00711	2	Capscrew, Hex Head M8 x 1.25 x 20 mm	-
19	15-00701	2	Flat Washer M8	-
20	15-00702	2	Lock Washer, Helical M8	-
21	14-00711	2	Hex Nut M8 x 1.25	-
22	12-00911	2	Capscrew, Hex Head M12 x 1.75 x 20 mm	-
23	15-00912	2	Lock Washer, Helical M12	-
24	10-59601	1	Rear Cover, HPCR Manifold	-
25	10-59602	1	Front Cover, HPCR Manifold	-
26	12-00029	6	Capscrew, Hex Head M6 x 1.0 x 10 mm S/S	-
27	15-00610	6	Lock Washer, Helical M6 S/S	-
28	12-09048	3	Capscrew, Hex Head M10 x 1.5 x 60 mm S/S	-
29	15-09805	3	Flat Washer M10 S/S	-
30	16-15006	1	O-ring	-
31	21-59519	1	Elbow, 45° Swivel, Steel 3/8- 37T	-
32	21-00056	1	Female Adapter, Steel 1/4 NPT x M14 x 1.5	-
33	21-09702	1	Male Connector, Brass 1/4 NPT x 3/8"	-
34	27-59637	1	Tube Assembly, Final Fuel Filter Outlet	-

GROUP 4 - FUEL SYSTEM

Engine Control Unit Applications**Propulsion Units** - (Serial number must be provided when ordering)*L1066T DE10 System*

26-9960112C135 135 Hp @ 2200 RPM 12 Volt
 26-9960124C135 135 Hp @ 2200 RPM 24 Volt
 26-9960112M165 165 Hp @ 2400 RPM 12 Volt
 26-9960124M165 165 Hp @ 2400 RPM 24 Volt
 26-9960112H170 170 Hp @ 2500 RPM 12 Volt
 26-9960124H170 170 Hp @ 2500 RPM 24 Volt

L1066A VP44 System

26-9960212C185 185 Hp @ 2400 RPM 12 Volt
 26-9960224C185 185 Hp @ 2400 RPM 24 Volt
 26-9960212M200 200 Hp @ 2400 RPM 12 Volt
 26-9960224M200 200 Hp @ 2400 RPM 24 Volt
 26-9960212H225 225 Hp @ 2400 RPM 12 Volt
 26-9960224H225 225 Hp @ 2400 RPM 24 Volt
 26-9960212P250 250 Hp @ 2400 RPM 12 Volt
 26-9960224P250 250 Hp @ 2400 RPM 24 Volt

L1066H High Pressure Common Rail

26-9960300C225 225 Hp @ 2200 RPM 12 or 24 Volt
 26-9960300M250 250 Hp @ 2200 RPM 12 or 24 Volt
 26-9960300H275 275 Hp @ 2400 RPM 12 or 24 Volt

Engine Control Unit Applications**Generator Units - (Serial number must be provided when ordering)***M1066T and C-series DE10 System*

26-9960112699 99 kW @ 1800 RPM 12 Volt
26-9960124699 99 kW @ 1800 RPM 24 Volt
26-9960112580 80 kW @ 1500 RPM 12 Volt
26-9960124580 80 kW @ 1500 RPM 24 Volt

M1066A DE10 System

26-9960112599 99 kW @ 1500 RPM 12 Volt
26-9960124599 99 kW @ 1500 RPM 24 Volt

M1066A1 DE10 System

26-99601126130 130 kW @ 1800 RPM 12 Volt
26-99601246130 130 kW @ 1800 RPM 24 Volt

M1066A1 VP44 System

26-99602125105 105 kW @ 1500 RPM 12 Volt
26-99602245105 105 kW @ 1500 RPM 24 Volt

M1066A2 VP44 System

26-99602126145 145 kW @ 1800 RPM 12 Volt
26-99602246145 145 kW @ 1800 RPM 24 Volt
26-99602125115 115 kW @ 1500 RPM 12 Volt
26-99602245115 115 kW @ 1500 RPM 24 Volt

M1066A3 VP44 System

26-99602126160 160 kW @ 1800 RPM 12 Volt
26-99602246160 160 kW @ 1800 RPM 24 Volt

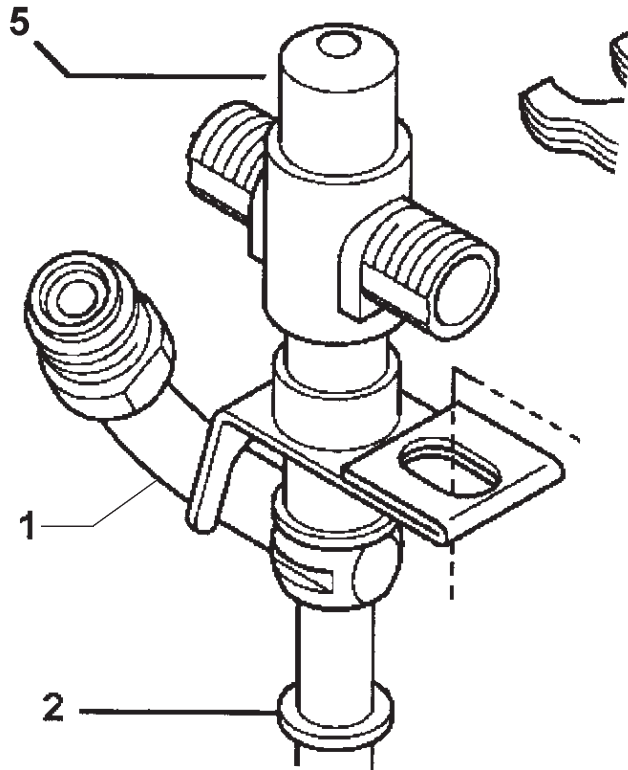
M1066H High Pressure Common Rail

26-99603006185 185 kW @ 1800 RPM 12 or 24 Volt
26-99603005155 155 kW @ 1500 RPM 12 or 24 Volt

GROUP 4 - FUEL SYSTEM

Fuel Injector

L-M-NL1066T, M99C2 - M1066A @ 1500 RPM - M1066A1 @ 1800 - NL1066H1



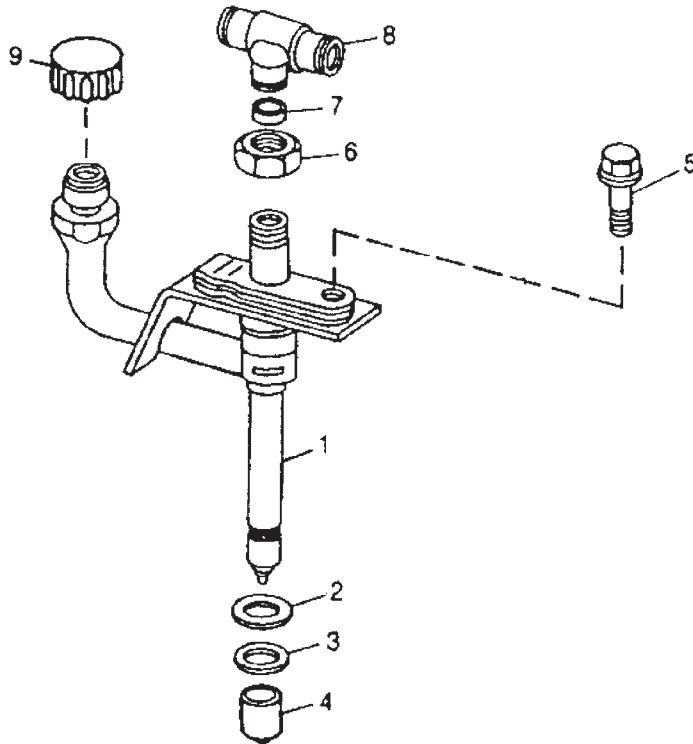
Reproduced by permission of Deere & Co., c2006. Deere & Company. All rights reserved.

CDP45118

KEY	PART NUMBER	QTY	DESCRIPTION	SERIAL NUMBER
1	RE531436	1	Fuel Injector (new, includes keys 2- 3, formerly # RE507766)	-
	SE501103	1	Fuel Injector (remanufactured)	-
2	R92352	1	Packing	-
3	R500390	1	Seal	-
4	RE508716	1	Clamp	-
5	RE531438	1	Return Tee Kit (includes #6)	-
6	16-59502	2	O-ring (Return tee seal - not shown)	-

Fuel Injector

L1066A, M1066A1 @ 1500 RPM, M1066A2, NL1066H2



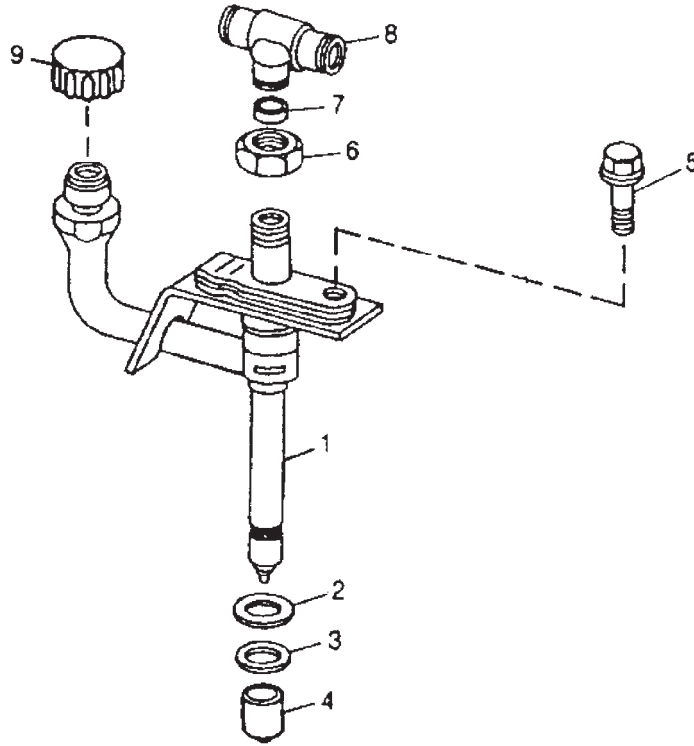
Reproduced by permission of Deere & Co., c2006. Deere & Company. All rights reserved.

TP48976

KEY	PART NUMBER	QTY	DESCRIPTION	SERIAL NUMBER
1	RE507948	1	Fuel Injector (new, includes keys 2 and 4) (Former # RE506688)	-
2	R92352	1	Packing	-
3	R500390	1	Washer	-
4	T24472	1	Cap (for shipping)	-
5	R116366	1	Screw	-
6	R79604	1	Tube Nut	-
7	R79605	1	Washer	-
8	R71963	1	Tee Fitting	-
9		1	Cap (for shipping)	-

Fuel Injector

M1066A3, NL1066H3



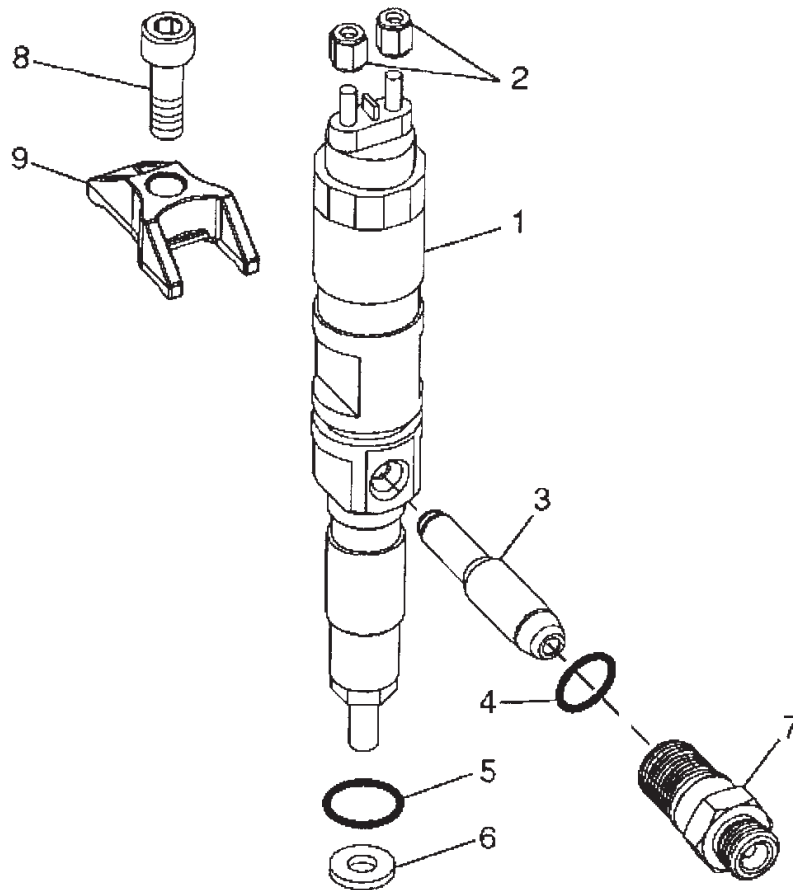
Reproduced by permission of Deere & Co., c2006. Deere & Company. All rights reserved.

TP48976

KEY	PART NUMBER	QTY	DESCRIPTION	SERIAL NUMBER
1	RE505079	1	Fuel Injector (includes keys 2 and 4)	-
2	R92352	1	Packing	-
3	R500390	1	Washer	-
4	T24472	1	Cap	-
5	R116366	1	Screw	-
6	R79604	1	Tube Nut	-
7	R79605	1	Washer	-
8	R71963	1	Tee Fitting	-
9		1	Cap	-

Fuel Injector

L- M- NL1066H



Reproduced by permission of Deere & Co., c2006. Deere & Company. All rights reserved.

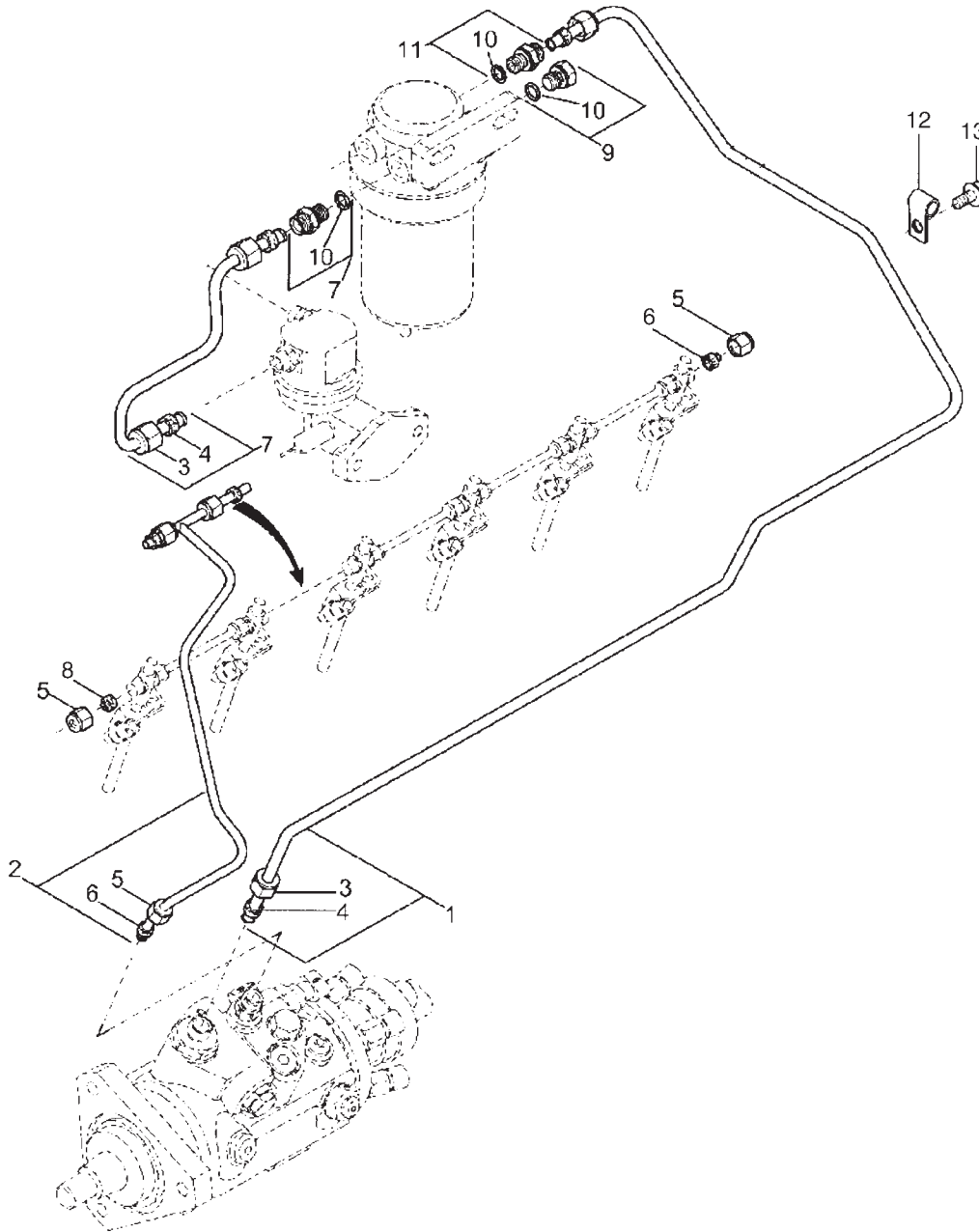
RGP8843

KEY	PART NUMBER	QTY	DESCRIPTION	SERIAL NUMBER
1	RE519730	1	Fuel Injector (includes keys 2- 6)	-
2	R134920	2	Nut	-
3	RE515986	6	Tube	-
4	R65397	6	O-ring	-
5	R505452	6	O-ring	-
6	R515535	6	Washer	-
7	R515044	6	Nut	-
8	R504781	6	Capscrew	-
9	R504779	6	Clamp	-

GROUP 4 - FUEL SYSTEM

Low Pressure Fuel Lines (DE10 System)

L-M-NL1066T, M99C2 - M1066A @ 1500 RPM - M1066A1 @ 1800 - NL1066H1



Low Pressure Fuel Lines (DE10 System)

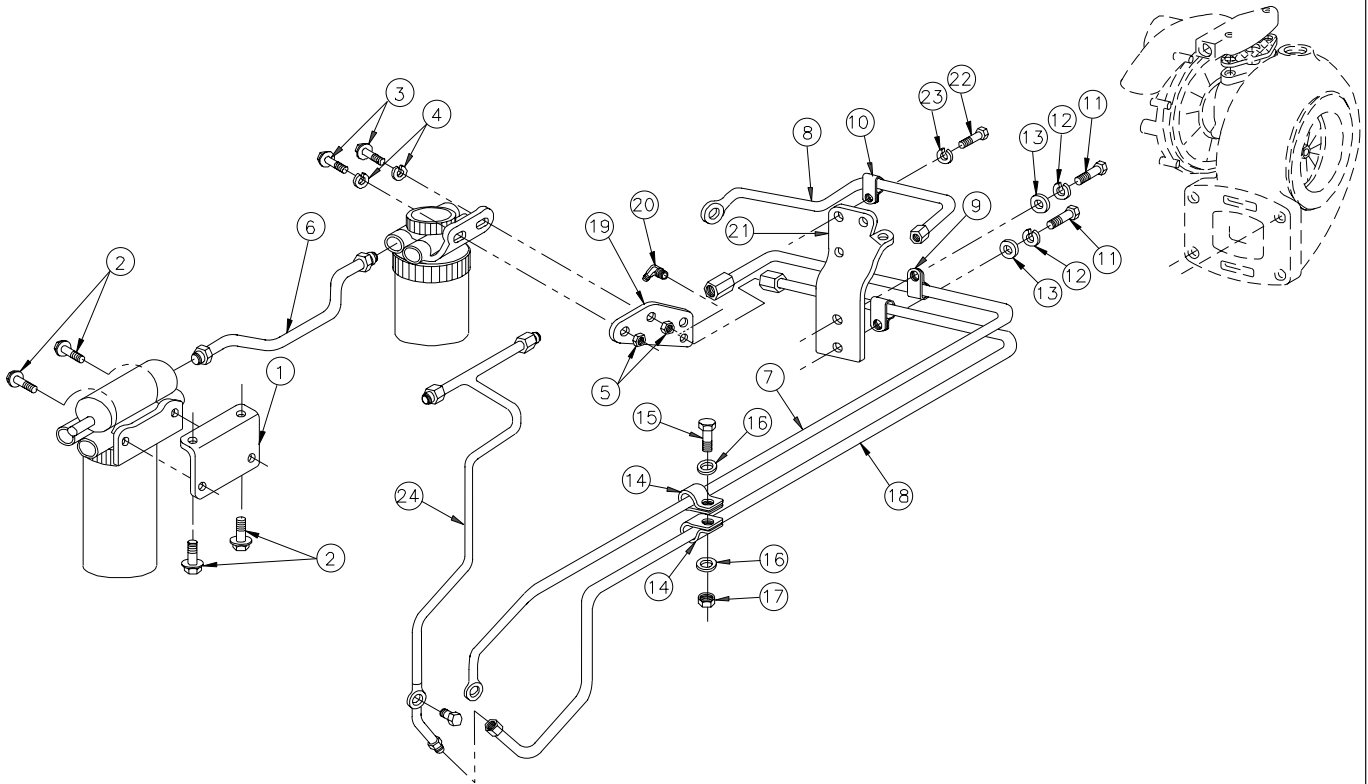
L-M-NL1066T, M99C2 - M1066A @ 1500 RPM - M1066A1 @ 1800 - NL1066H1

KEY	PART NUMBER	QTY	DESCRIPTION	SERIAL NUMBER
1	27-59610	1	Tube Assembly, Injection Pump Inlet (L- M1066T)	-
	27-59611	1	Tube Assembly, Injection Pump Inlet (M1066A1 @ 1800 RPM)	-
	RE515236	1	Tube Assembly, Injection Pump Inlet (NL1066T- H1)	-
2	RE507598	1	Tube Assembly, Fuel Return	-
3	R123594	**	Tube Nut	-
4	21-09518	**	Sealing Washer	-
5	R123593	**	Tube Nut	-
6	R51936	**	Sealing Washer	-
7	RE60037	1	Tube Assembly, Fuel Filter Inlet (L- M1066T)	-
	27-59612	1	Tube Assembly, Fuel Filter Inlet (M1066A1 @1800 RPM)	-
	RE515360	1	Tube Assembly, Fuel Filter Inlet (NL1066T- H1)	-
8	AR85519	1	Plug	-
9	RE46686	1	Plug, M12 x 1.5	-
10	51M7040	4	O-ring	-
11	RE60029	2	Adapter	-
12	T13814	2	Clamp	-
13	19M7784	1	Capscrew, M10 x 20	-

GROUP 4 - FUEL SYSTEM

Low Pressure Fuel Lines (VP44 System, 12 Volt)

L1066A, M1066A1 @ 1500 RPM, M1066A2- A3



A-10759A/ B-8612

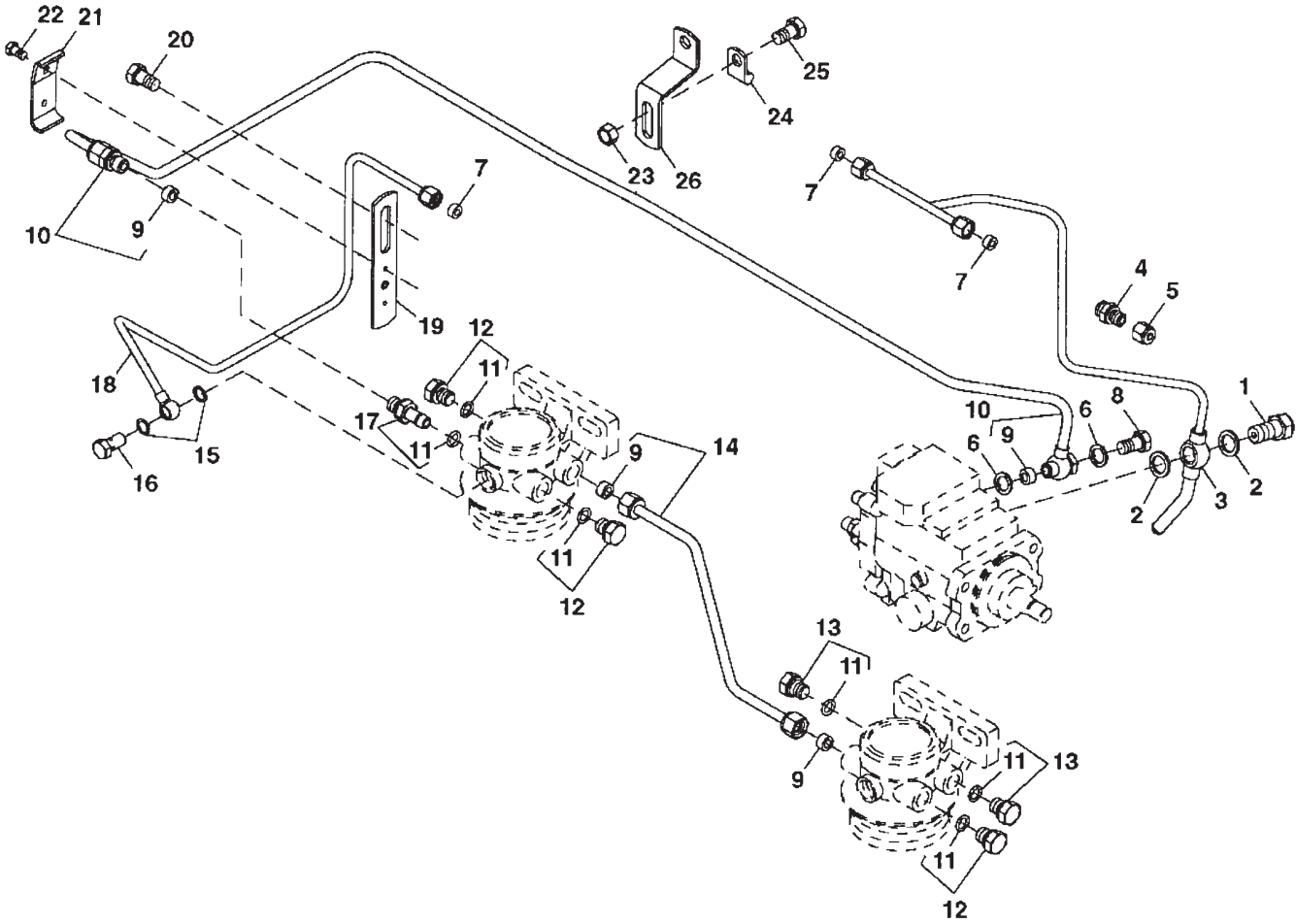
Low Pressure Fuel Lines (VP44 System, 12 Volt)

L1066A, M1066A1 @ 1500 RPM, M1066A2- A3

KEY	PART NUMBER	QTY	DESCRIPTION	SERIAL NUMBER
1	23-59603	1	Bracket, Fuel Filter Mtg.	-
2	19M7785	4	Capscrew, Hex Head Flanged M10 x 1.5 x 25 mm	-
3	19M8528	2	Capscrew, Hex Head Flanged M10 x 1.5 x 55 mm	-
4	15-00801	2	Lock Washer, Hi-collar M10 S/S	-
5	14-00811	2	Hex Nut M10 x 1.5	-
6	27-59614	1	Tube Assembly, Fuel Filter Inlet (units with 12 Volt filter mounted pump)	-
7	27-59616	1	Tube Assembly, Injection Pump Inlet VP44	-
8	27-59618	1	Tube Assembly, Leak-off Return to Fuel Filter	-
9	19-72252	1	Adelle Clamp 3/8" ID x 3/8" Stud	-
10	19-72251	1	Adelle Clamp 1/4" ID x 3/8" Stud	-
11	12-00751	2	Capscrew, Hex Head M8 x 1.25 x 16 mm	-
12	15-00705	2	Lock Washer, Helical M8 S/S	-
13	15-00701	2	Flat Washer M8	-
14	19-72252	2	Adelle Clamp 3/8" ID x 3/8" Stud	-
15	12-00805	1	Capscrew, Hex Head M10 x 1.5 x 20 mm	-
16	15-00805	2	Flat Washer M10	-
17	14-00812	1	Hex Nut, Nylock M10 x 1.5	-
18	27-59617	1	Tube Assembly, Fuel Return	-
19	23-59501	1	Bracket, Tube Support	-
20	21-59602	1	Bulkhead Union 45° Steel, 3/8- 37T	-
21	23-09501	1	Bracket, Tube Support	-
22	12-00805	2	Capscrew, Hex Head M10 x 1.5 x 20 mm	-
23	15-00802	2	Lock Washer, Helical M10	-
24	27-59613	1	Tube Assembly, Fuel Return	-
25	38M7009	1	Banjo Bolt *	} for #8 tube connection } at fuel filter
26	R62107	2	Sealing Washer *	
27	38M6640	1	Banjo Bolt *	} for #7 tube connection } at injection pump
28	R504067	2	Sealing Washer *	
29	RE505227	1	Banjo Bolt *	} for #18 tube connection } at injection pump
26	R64857	2	Sealing Washer *	
			* Not Shown	

Low Pressure Fuel Lines, VP44 System

NL1066H2- H3



Low Pressure Fuel Lines, VP44 System

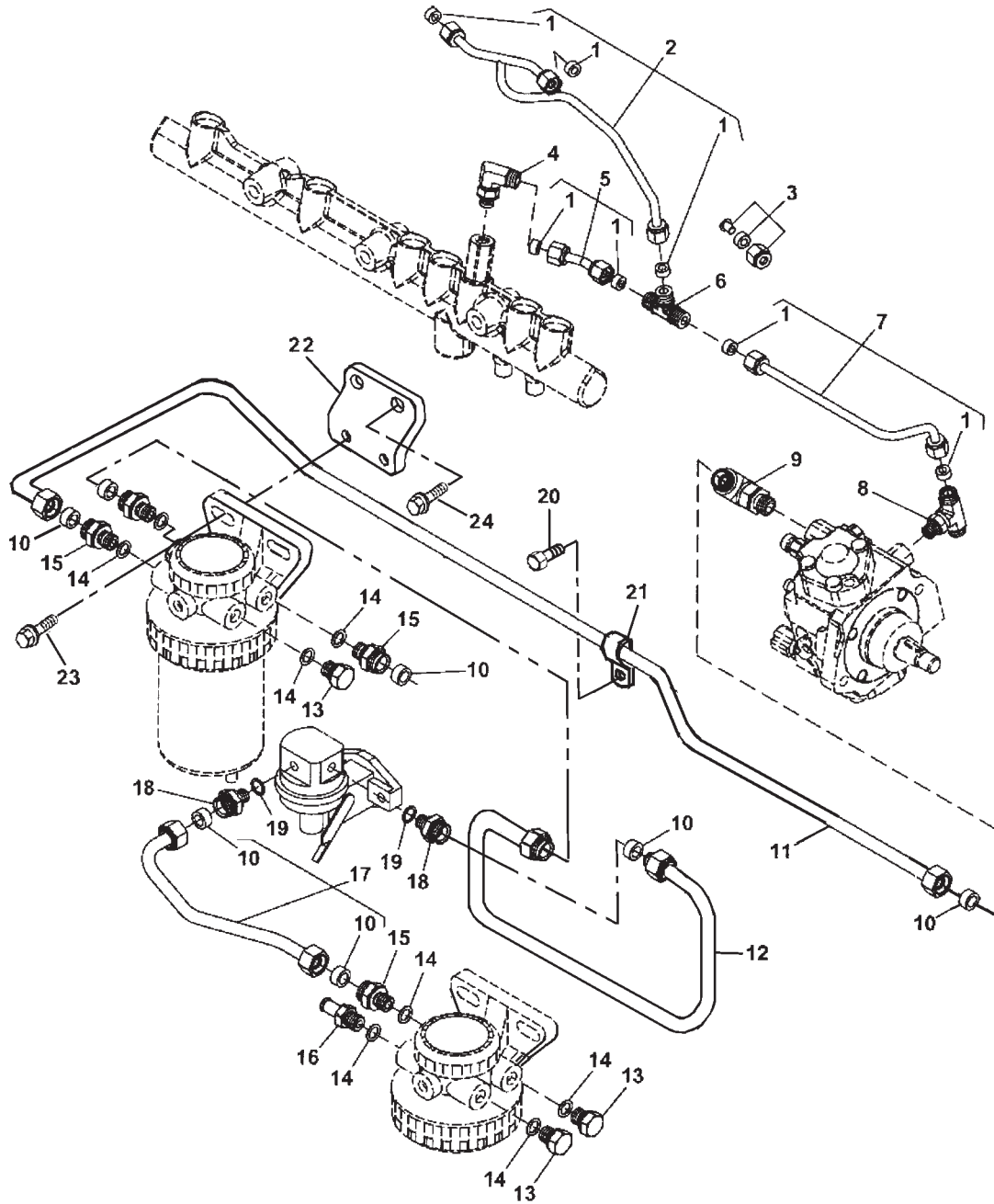
NL1066H2- H3

KEY	PART NUMBER	QTY	DESCRIPTION	SERIAL NUMBER
1	RE505227	1	Fitting	-
2	R64857	2	Washer	-
3	RE506118	1	Fuel Line	-
4	AR85519	1	Plug	-
5	R123593	1	Tube Nut	-
6	R504067	2	Washer	-
7	R51936	3	Sealing Washer	-
8	38M6640	1	Hollow Screw	-
9	R74012	4	Sealing Washer	-
10	RE509638	1	Fuel Line	-
11	51M7040	6	O-ring	-
12	RE60029	3	Adapter	-
13	RE46686	2	Plug	-
14	RE509637	1	Fuel Line	-
15	R62107	2	Washer	-
16	38M7009	1	Hollow Screw	-
17	RE500576	1	Adapter	-
18	RE509639	1	Fuel Line	-
19	R504730	1	Bracket	-
20	19M7783	1	Capscrew, M10 x 16	-
21	R136082	1	Clamp	-
22	19M7752	2	Capscrew, M4 x 20	-
23	14M7334	1	Flange Nut, M10	-
24	T14050	1	Clamp	-
25	19M7784	1	Capscrew, M10 x 20	-
26	R504859	1	Bracket	-

GROUP 4 - FUEL SYSTEM

Low Pressure Fuel Lines, High Pressure Common Rail

L- M1066H & MCA



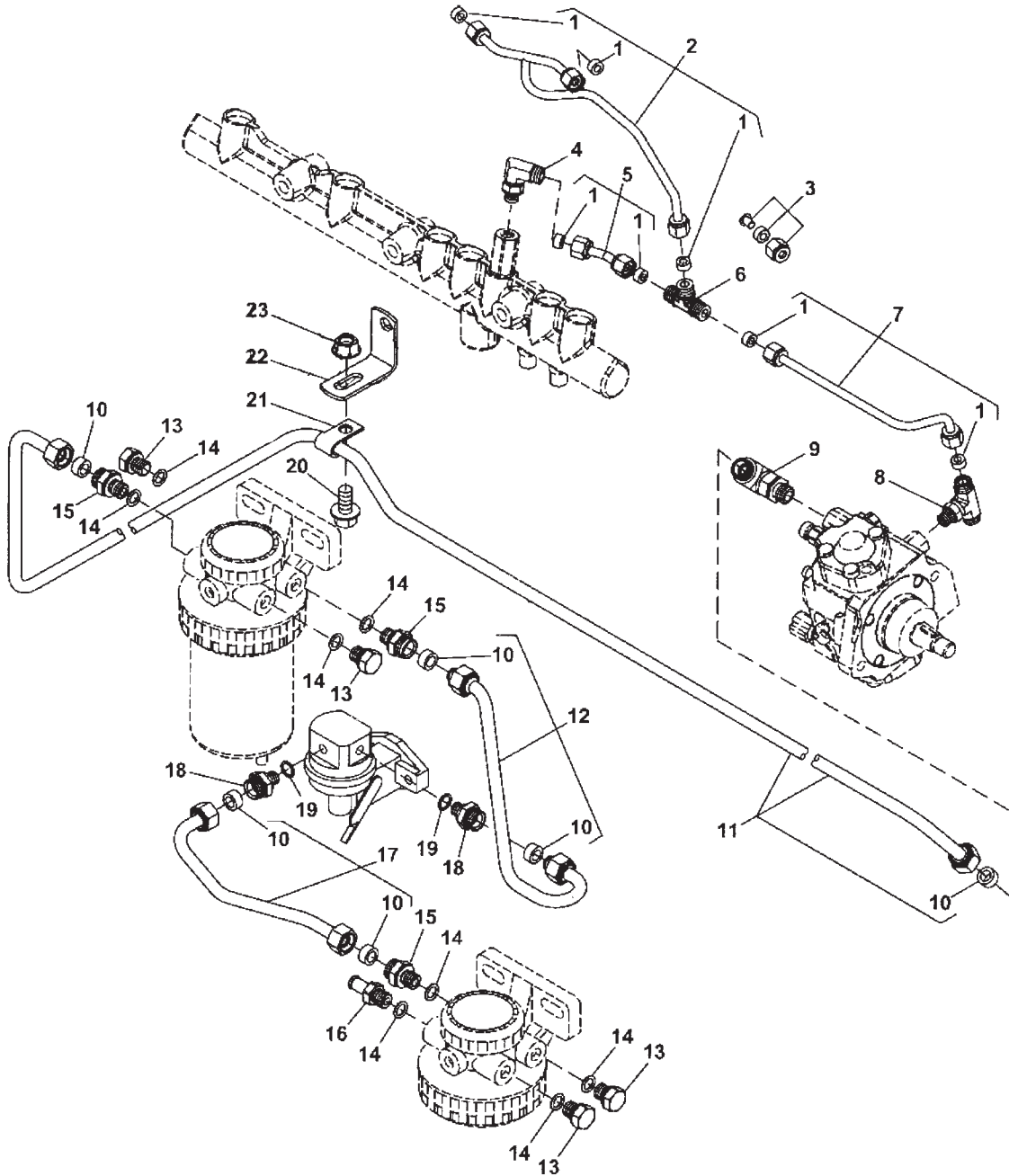
Low Pressure Fuel Lines, High Pressure Common Rail

L- M1066H & MCA

KEY	PART NUMBER	QTY	DESCRIPTION	SERIAL NUMBER
1	R51936	7	Sealing Washer	-
2	RE508892	1	Fuel Line	-
3	AR85519	1	Plug	-
4	RE502173	1	Adapter	-
5	RE515560	1	Fuel Line	-
6	R97061	1	Tee Fitting	-
7	RE508893	1	Fuel Line	-
8	RE502175	1	Fitting	-
9	RE502174	4	Elbow Fitting	-
10	R67092	6	Sealing Washer	-
11	27-59609	1	Fuel Line, Filter Outlet L-M1066H	-
	27-59641	1	Tube Assembly, Filter Outlet M1066HMCA	-
12	27-59608	1	Fuel Line, Pump Outlet	-
13	RE46686	4	Plug	-
14	51M7040	8	O-ring	-
15	RE60030	3	Fitting	-
16	RE500576	1	Adapter	-
17	27-59607	1	Fuel Line, Pump Inlet	-
18	R516453	1	Adapter	-
19	R500271	2	O-ring	-
21	T13814	1	Clamp	-
22	23-59602	1	Bracket L-M1066H	-
	R116116	1	Bracket M1066HMCA	-
23	19M7785	4	Capscrew, Hex Head Flanged M10 x 1.5 x 25 mm	-
24	12-80832	2	Capscrew, Hex Head Flanged M10 x 1.5 x 30 mm	-

Low Pressure Fuel Lines, High Pressure Common Rail

NL1066H4



Low Pressure Fuel Lines, High Pressure Common Rail

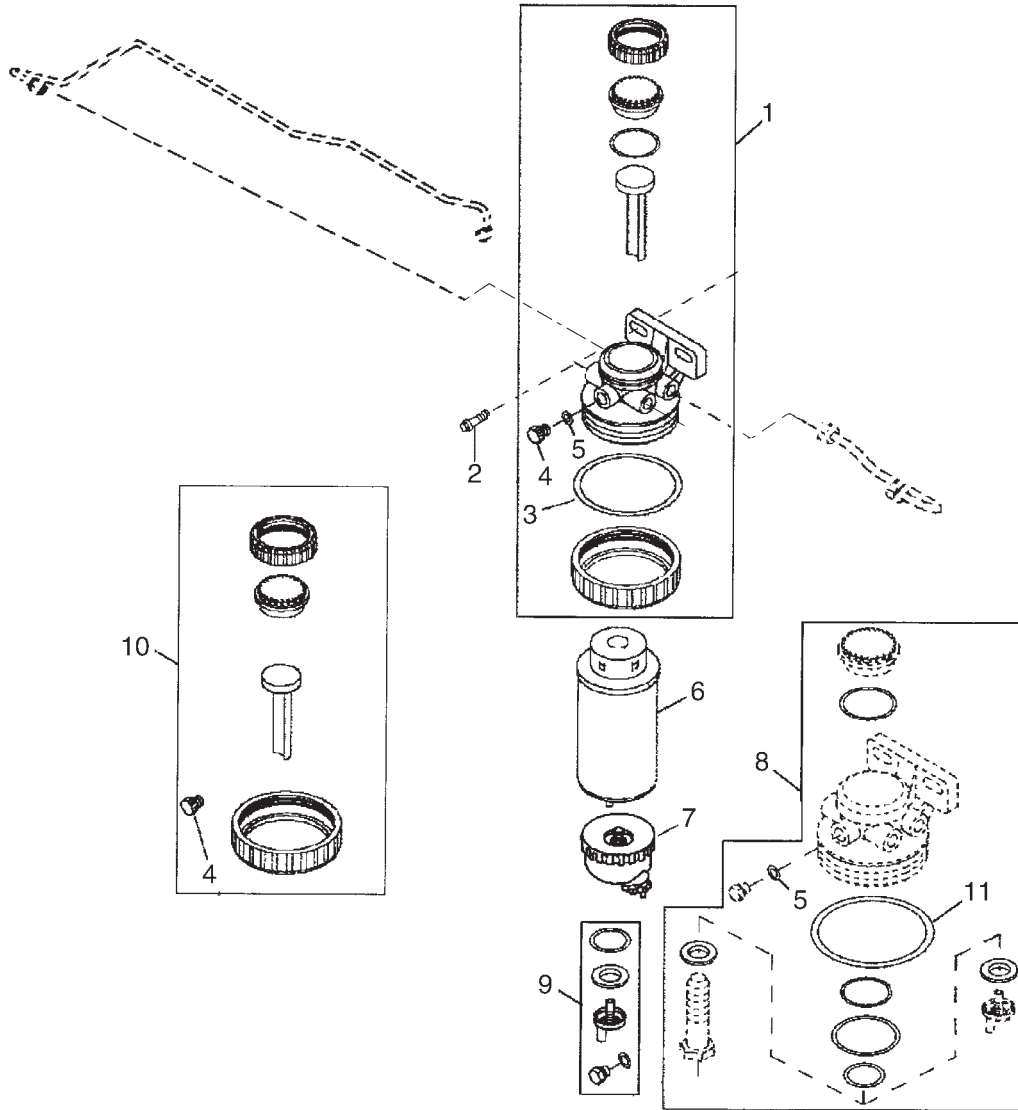
NL1066H4

KEY	PART NUMBER	QTY	DESCRIPTION	SERIAL NUMBER
1	RE51936	7	Sealing Washer	-
2	RE508892	1	Fuel Line	-
3	AR85519	1	Plug	-
4	RE502173	1	Adapter	-
5	RE515560	1	Fuel Line	-
6	R97061	1	Tee Fitting	-
7	RE508893	1	Fuel Line	-
8	RE502175	1	Fitting	-
9	RE502174	4	Elbow Fitting	-
10	R67092	6	Sealing Washer	-
11	RE517221	1	Fuel Line, Filter Outlet	-
12	RE517245	1	Fuel Line, Pump Outlet	-
13	RE46686	4	Plug	-
14	51M7040	8	O-ring	-
15	RE60030	3	Fitting	-
16	RE500576	1	Adapter	-
17	RE517219	1	Fuel Line	-
18	R516453	1	Adapter	-
19	R500271	2	O-ring	-
21	T13814	1	Clamp	-
22	R116116	1	Bracket	-
23	14M7334	1	Flange Nut	-

GROUP 4 - FUEL SYSTEM

Fuel Filter DE10 System

L- M- NL1066T - M99C2 - M1066A @ 1500 RPM - M1066A1 @1800 RPM - NL1066H1



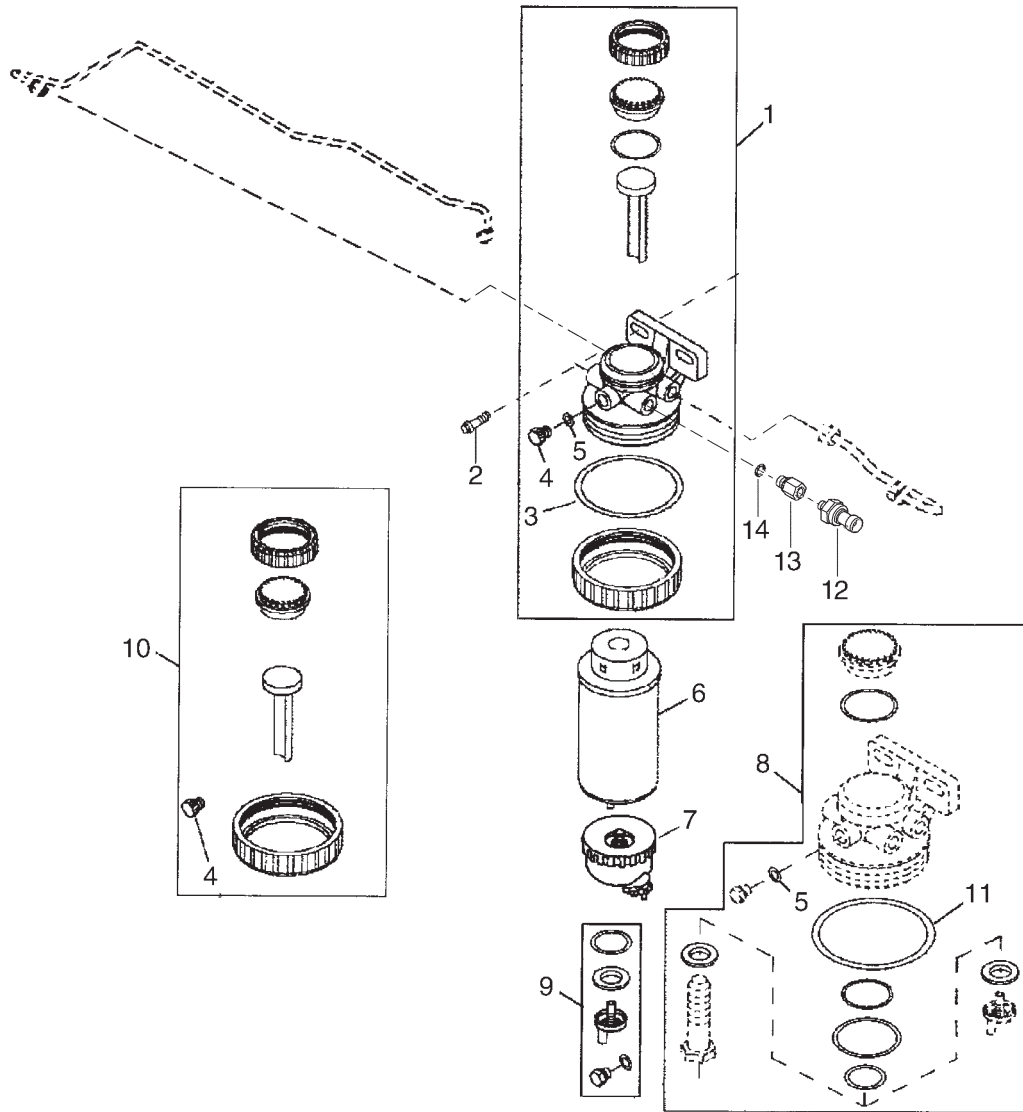
Reproduced by permission of Deere & Co., c2006. Deere & Company. All rights reserved.

RGP8265

KEY	PART NUMBER	QTY	DESCRIPTION	SERIAL NUMBER
1	RE509794	1	Filter Head Assembly	-
2	19M7784	2	Screw	-
3	RE516553	1	Seal Kit	-
4	R113563	1	Drain Plug	-
5	R113562	1	Ring	-
6	RE509031	1	Filter Element	-
7	RE51650	1	Sediment Bowl - Industrial Only	-
8	RE516512	1	Seal Kit	-
9	RE60854	1	Cap Kit - Industrial Only	-
	24-51006	1	Drain Valve - Marine	-
10	RE51649	1	Seal Kit	-
11	R113565	1	Seal	-

Secondary Fuel Filter VP44 System

L1066A, M1066A1 @1500 RPM, M1066A2- A3, NL1066H2- H3



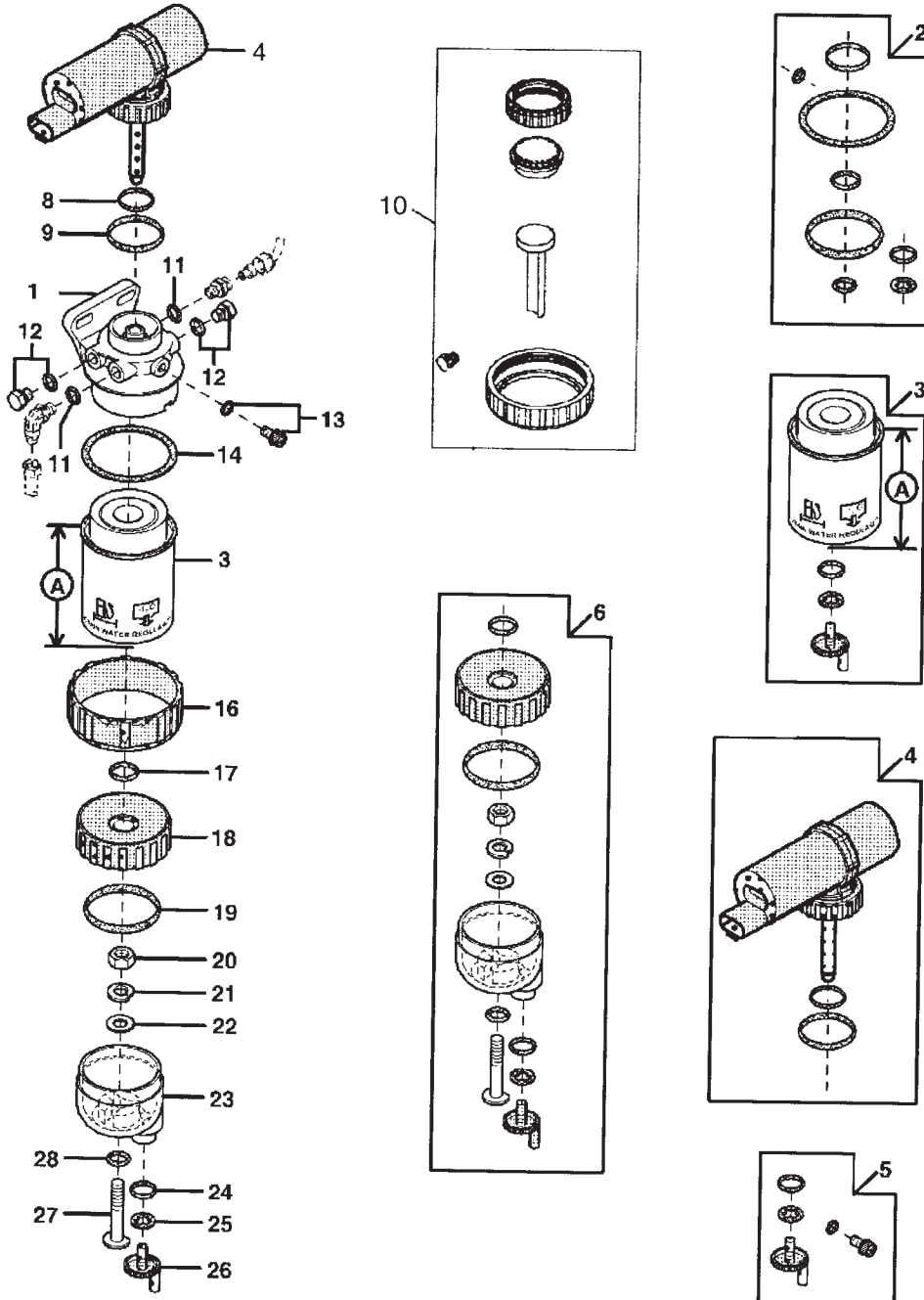
Reproduced by permission of Deere & Co., c2006. Deere & Company. All rights reserved.

RGP8265a

KEY	PART NUMBER	QTY	DESCRIPTION	SERIAL NUMBER
1	RE508985	1	Repair Kit	-
2	19M7784	2	Screw	-
3	RE516553	1	Seal Kit	-
4	R113563	1	Drain Plug	-
5	R113562	1	Ring	-
6	RE67901	1	Filter Element	-
7	RE51650	1	Sediment Bowl - Industrial Only	-
8	RE516512	1	Seal Kit	-
9	RE60854	1	Cap Kit - Industrial Only	-
	24-51006	1	Drain Valve - Marine	-
10	RE51649	1	Seal Kit	-
11	R113565	1	Seal	-
12	RE167207	1	Sensor, Fuel Pressure	-
13	RE507487	1	Adapter	-
14	51M7040	1	O-ring	-

Primary Fuel Filter Water Separator, VP44

L1066A, M1066A1 @ 1500 RPM, M1066A2- A3, & NL1066H2- H3



Primary Fuel Filter Water Separator, VP44

L1066A, M1066A1 @ 1500 RPM, M1066A2- A3, & NL1066H2- H3

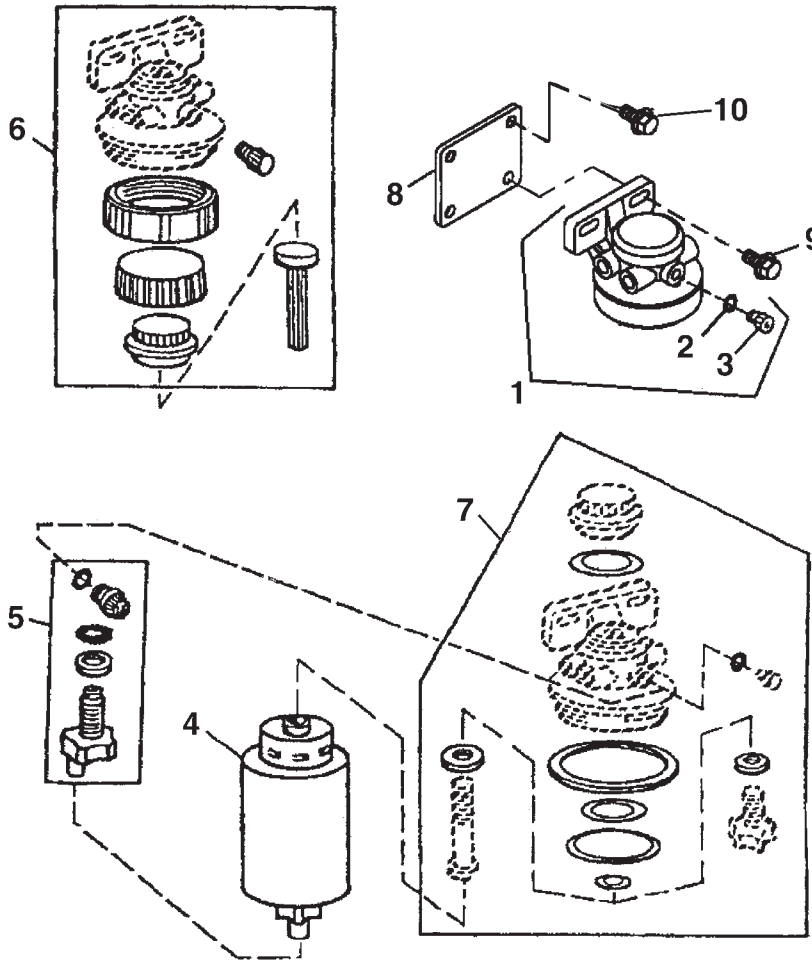
KEY	PART NUMBER	QTY	DESCRIPTION	SERIAL NUMBER
1	RE508847	**	Filter Head Assembly (includes keys 8, 9, 12-14, and 16)	-
2	RE516553	**	Kit	-
3	RE509208	1	Filter Element (also order R113565)	-
4	RE509033	**	Pump Kit, 12 Volt	-
5	RE60854	**	Kit, Industrial	-
	24-51006	1	Drain Valve, Marine	-
6	RE51650	**	Sediment Bowl Kit, Industrial only (includes keys 17-26)	-
8	R504007	1	O-ring	-
9	RE516512	1	Kit	-
10	RE51649	1	Filter Repair Kit (units with separate 24 Volt Pump)	-
11	51M7040	**	O-ring	-
12	RE46686	**	Plug	-
13		1	Drain Plug* (order key #1 or #10 or #5)	-
14	R113565	1	Seal	-
15		1	Filter Element* (order key #3 and #14)	-
16		1	Retainer* (order key #1)	-
17		1	O-ring* (order key #2 or #6)	-
18		1	Retainer* (order key #6)	-
19		1	O-ring* (order key #6 or #2)	-
20		1	Nut* (order key #6)	-
21		1	Lock Washer* (order key #6)	-
22		1	Washer* (order key #6)	-
23		1	Sediment Bowl* (order key #6)	-
24		1	O-ring* (order key #6 or #2 or #5)	-
25		1	Gasket* (order key #6 or #2 or #5)	-
26		1	Drain Plug* (order key #6 or #5)	-
27		1	Screw* (order key #6)	-
28		1	O-ring* (order key #6 or #2)	-
29	R505143	1	Bracket (not shown)	-
30	28H1529	1	Bushing (not shown)	-
31	19M7808	1	Screw, M10 x 65 mm (not shown)	-
32	19M7784	3	Screw, M10 x 20 mm (not shown)	-

*Not available separately

**As required

Secondary Fuel Filter

L- M1066H & NL1066H4



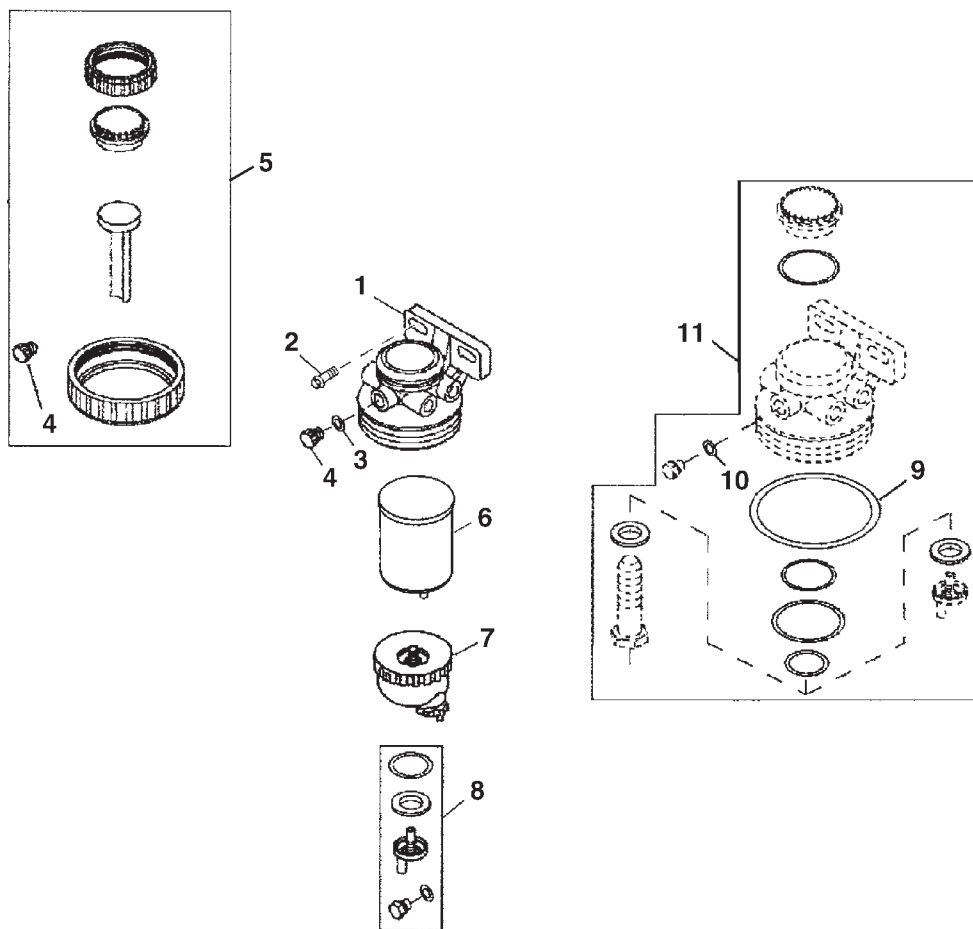
Reproduced by permission of Deere & Co., c2006. Deere & Company. All rights reserved.

RGP8997

KEY	PART NUMBER	QTY	DESCRIPTION	SERIAL NUMBER
1	RE509794	1	Filter Head Assembly (includes keys 2 and 3)	-
2	R113562	1	O-ring	-
3	R113563	1	Plug Vent	-
4	RE509032	1	Filter Element	-
5	RE60854	1	Kit	-
6	RE51649	1	Seal Kit	-
7	RE516553	1	Kit	-
8	R516437	1	Bracket - Industrial	-
	23-59602	1	Bracket - Marine	-
9	19M7785	4	Capscrew, Hex Head Flanged M10 x 1.5 x 25 mm	-

Primary Fuel Filter/ Water Separator

L- M1066H & NL1066H4



Reproduced by permission of Deere & Co., c2006. Deere & Company. All rights reserved.

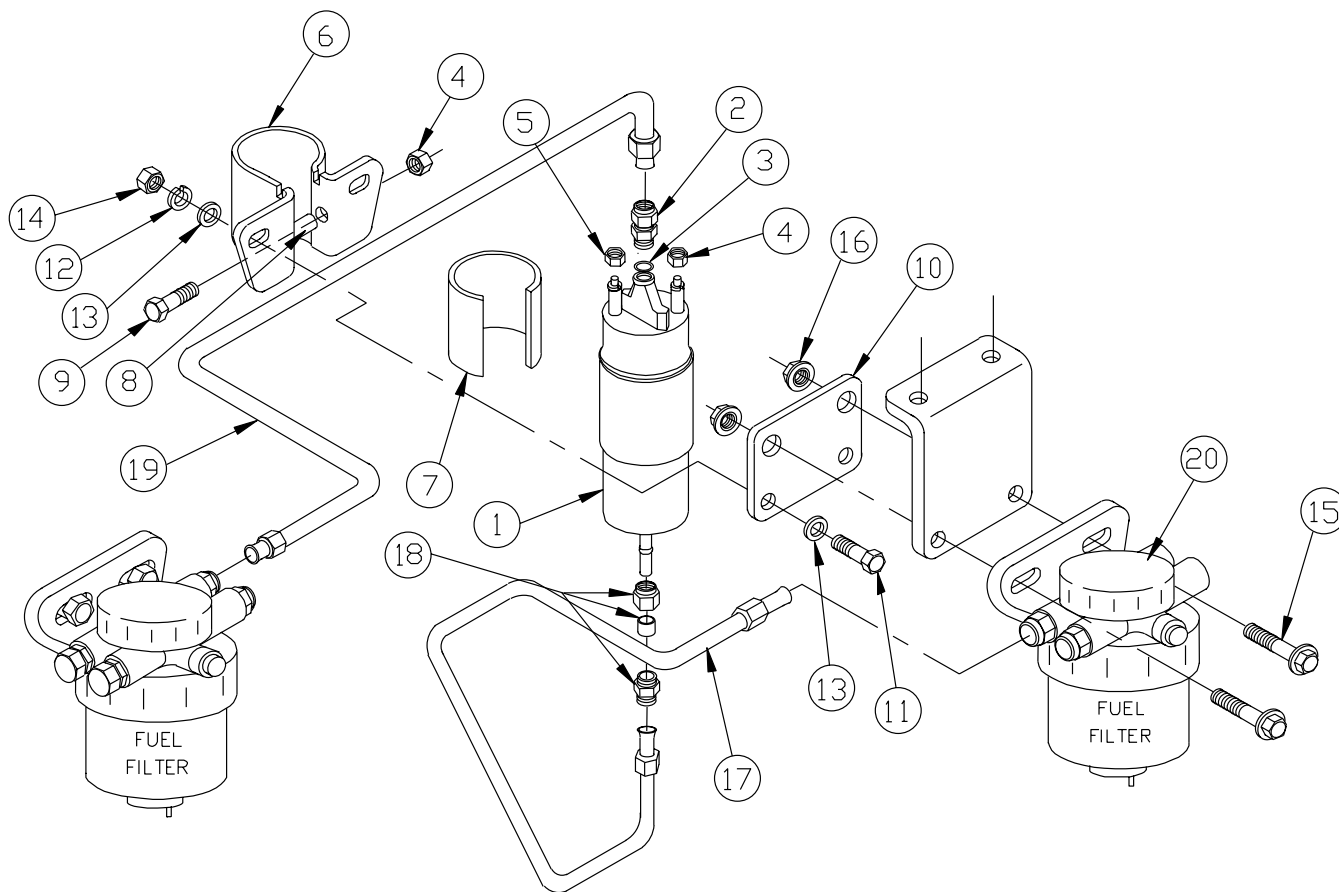
RGP8376

KEY	PART NUMBER	QTY	DESCRIPTION	SERIAL NUMBER
1	RE508847	1	Filter Head Assembly	-
2	19M7786	2	Screw	-
3	R113562	1	Ring	-
4	R113563	1	Vent Plug	-
5	RE51649	1	Seal Kit	-
6	RE509036	1	Fuel Filter (former # RE517180)	-
7	RE51650	1	Sediment - Industrial only	-
8	RE60854	1	Drain Valve - Industrial only	-
9	R113565	1	Seal	-
10	R113562	1	Ring	-
11	RE516553	1	Seal Kit	-
	RE516512	1	O-ring Kit	-
12	24-51006	1	Drain Valve - Marine (not shown)	-

GROUP 4 - FUEL SYSTEM

Electric Fuel Pump, 24 Volt Standard Ground

L1066A

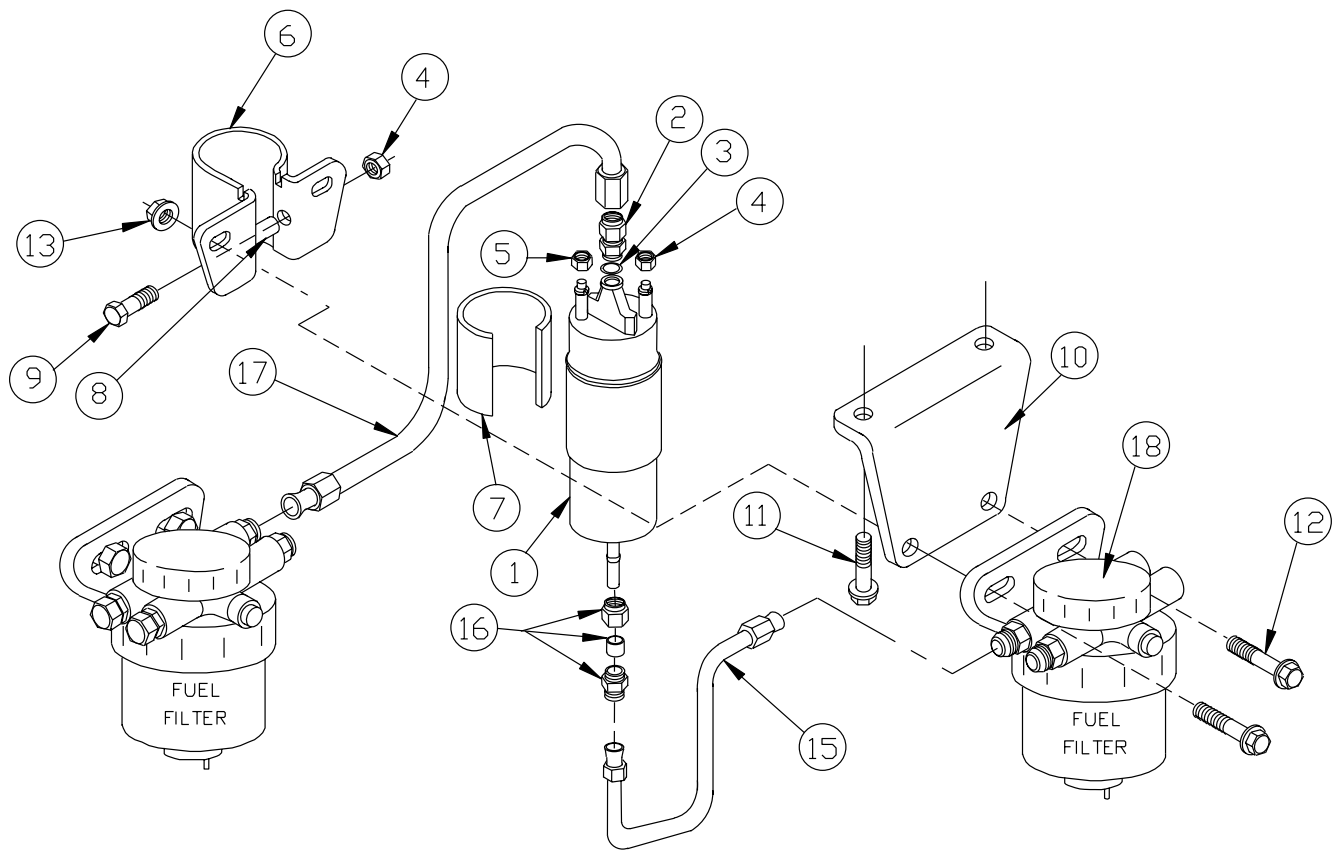


A-11130/ B-8940

KEY	PART NUMBER	QTY	DESCRIPTION	SERIAL NUMBER
1	RE515718	1	Electric Fuel Pump 24 Volt DC (VP44 System)	-
2	R500270	1	Male Connector, Brass M10 x 1.0 x 5/16	-
3	R500271	1	O-ring	-
4	14M7265	2	Lock Nut	-
5	14M7264	1	Lock Nut M4 x 0.07	-
6	R515460	1	Bracket	-
7	R515461	1	Cushion	-
8	R515736	1	Spacer	-
9	19M7986	1	Capscrew, Hex Head M5 x 0.8 x 50 mm	-
10	23-59606	1	Bracket, Electric Fuel Pump Mtg.	-
11	12-00712	2	Capscrew, Hex Head M8 x 1.25 x 25 mm	-
12	15-00702	2	Lock Washer, Helical M8	-
13	15-00701	4	Flat Washer M8	-
14	14-00711	2	Hex Nut M8 x 1.25	-
15	19M8162	2	Capscrew, Hex Head Flanged M10 x 1.5 x 40 mm	-
16	14-80811	2	Hex Nut, Flanged M10 x 1.5	-
17	27-59629	1	Tube Assembly, Electric Fuel Pump Inlet	-
18	21-09517	1	Compression Union, Brass 5/16	-
19	27-59630	1	Tube Assembly, Electric Lift Outlet	-
20	RE526834	1	Repair Kit, Fuel Filter Head	-

Electric Fuel Pump, 24 Volt Standard Ground

M1066A1, A2, A3



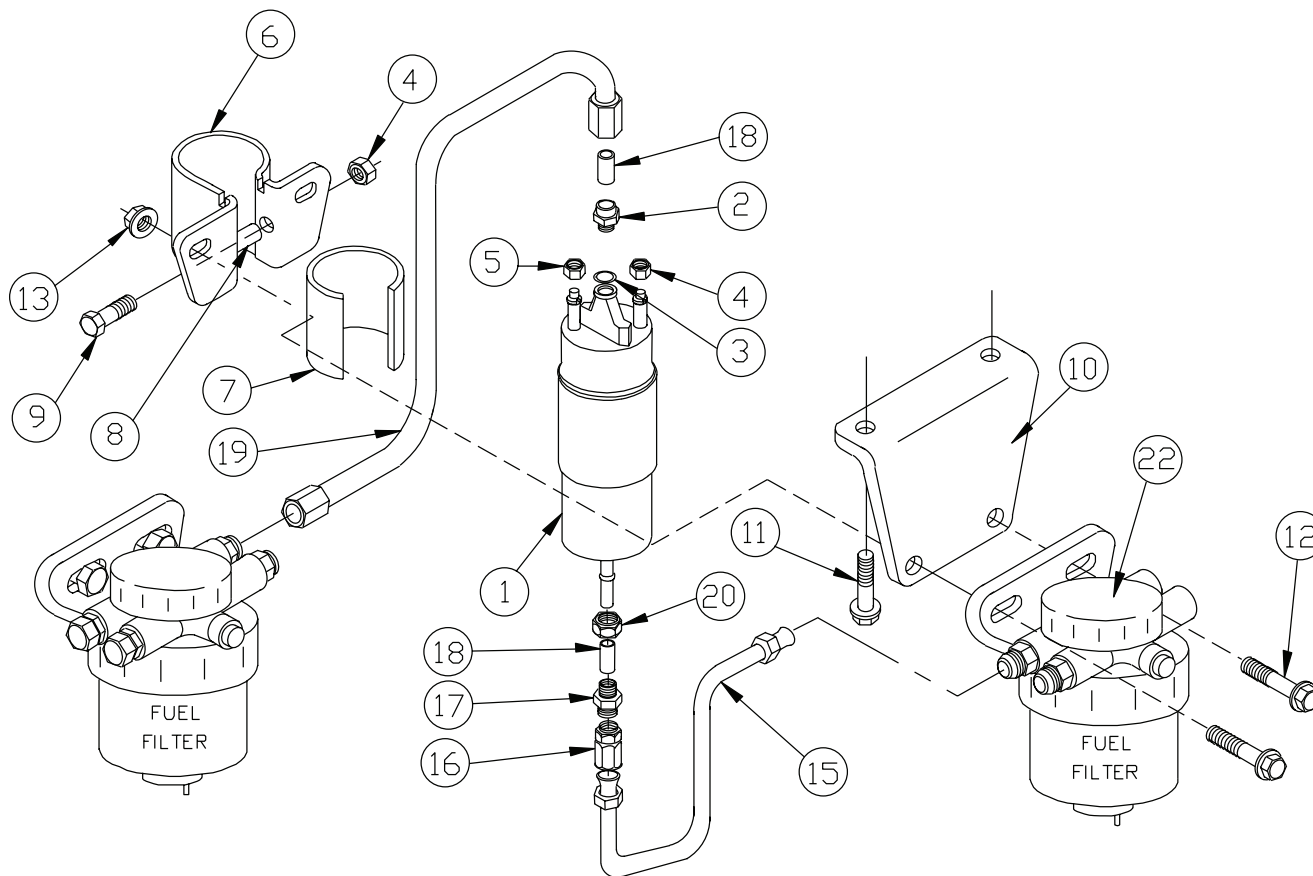
A-11124/ B-8947

KEY	PART NUMBER	QTY	DESCRIPTION	SERIAL NUMBER
1	RE515718	1	Electric Fuel Pump 24 Volt DC (VP44 System)	-
2	R500270	1	Male Connector, Brass M10 x 1.0 x 5/16	-
3	R500271	1	O-ring	-
4	14M7265	2	Lock Nut	-
5	14M7264	1	Lock Nut M4 x 0.07	-
6	R515460	1	Bracket	-
7	R515461	1	Cushion	-
8	R515736	1	Spacer	-
9	19M7986	1	Capscrew, Hex Head M5 x 0.8 x 50 mm	-
10	23-59605	1	Bracket, Electric Fuel Pump Mtg.	-
11	19M7784	2	Capscrew, Hex Head Flanged M10 x 1.5 x 20 mm	-
12	19M7866	2	Capscrew, Hex Head Flanged M8 x 1.25 x 20 mm	-
13	14M7298	2	Hex Nut, Flanged M8 x 1.25	-
15	27-59627	1	Tube Assembly, Electric Fuel Pump Inlet	-
16	21-09517	1	Female Connector, Brass 1/4 NPT x 5/16	-
17	27-59628	1	Tube Assembly, Electric Fuel Pump Outlet	-
18	RE526834	1	Repair Kit, Fuel Filter Head	-

GROUP 4 - FUEL SYSTEM

Electric Fuel Pump, 24 Volt Isolated Ground

M1066A1, A2, A3

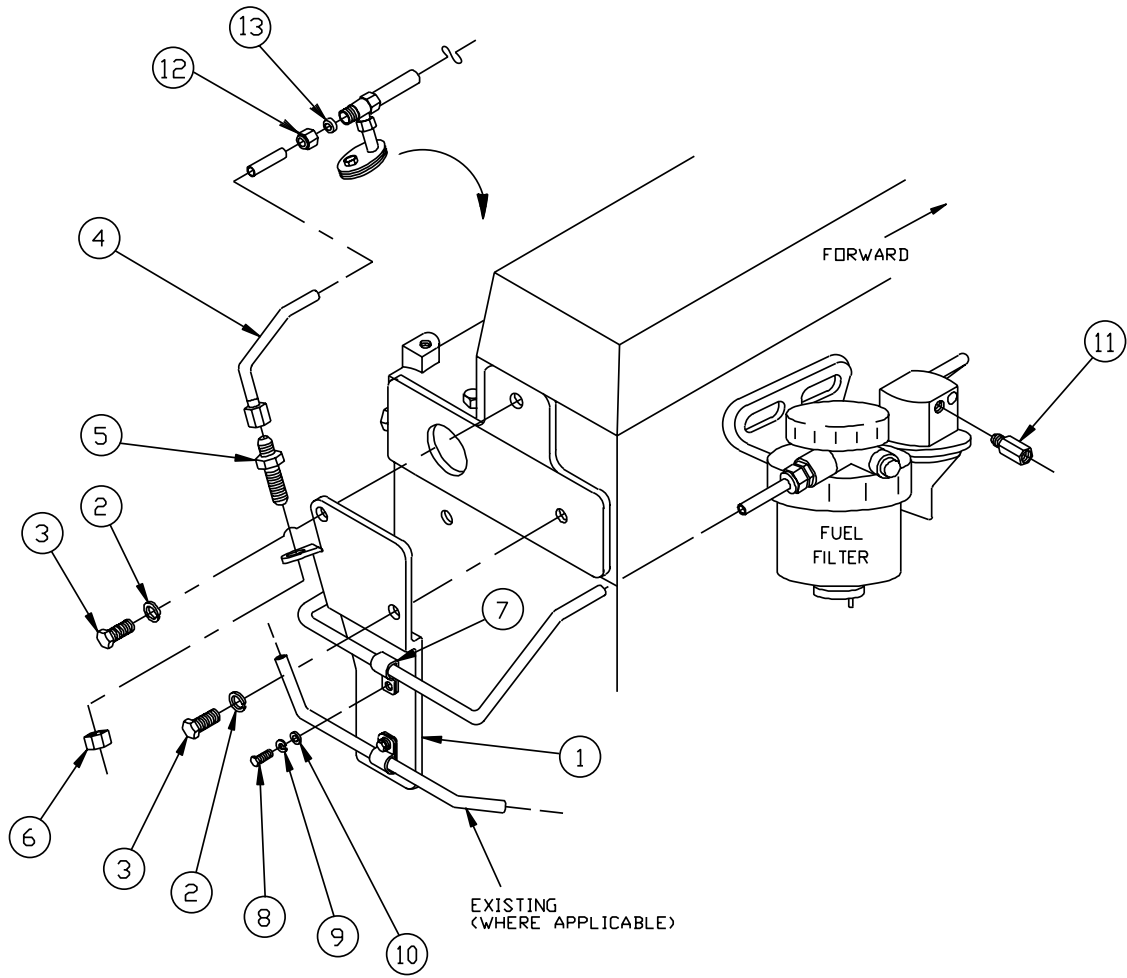


A-11154/ B-8946

KEY	PART NUMBER	QTY	DESCRIPTION	SERIAL NUMBER
1	RE515718	1	Electric Fuel Pump 24 Volt DC (VP44 System)	-
2	R516453	1	Male Connector, Brass M10 x 1.0 x 3/8"	-
3	R500271	1	O-ring	-
4	14M7265	1	Lock Nut	-
5	14M7264	1	Lock Nut M4 x 0.07	-
6	R515460	1	Bracket	-
7	R515461	1	Cushion	-
9	19M7986	1	Capscrew, Hex Head M5 x 0.8 x 50 mm	-
10	23-59605	1	Bracket, Electric Fuel Pump Mtg.	-
11	19M7784	2	Capscrew, Hex Head Flanged M10 x 1.5 x 20 mm	-
12	19M7866	2	Capscrew, Hex Head Flanged M8 x 1.25 x 20 mm	-
13	14M7298	2	Hex Nut, Flanged M8 x 1.25	-
15	27-59638	1	Tube Assembly, Electric Fuel Pump Inlet (includes #21)	-
16	21-09705	1	Female Connector, Brass 1/4 NPT x 5/16"	-
17	21-09702	1	Male Connector, Brass 1/4 NPT x 3/8"	-
18	21-59521	2	Sleeve, Insulating	-
19	27-59628	1	Tube Assembly, Electric Fuel Pump Outlet (includes #21)	-
20	21-09704	1	Tube Nut, Brass 3/8"	-
21	21-09703	2	Sleeve, 3/8" O.D. (Tube sealing - not shown)	-
22	RE526834	1	Repair Kit, Fuel Filter Head	-

Fuel Supply & Return Connections

L- M1066T - M99C2 - M1066A @ 1500 RPM



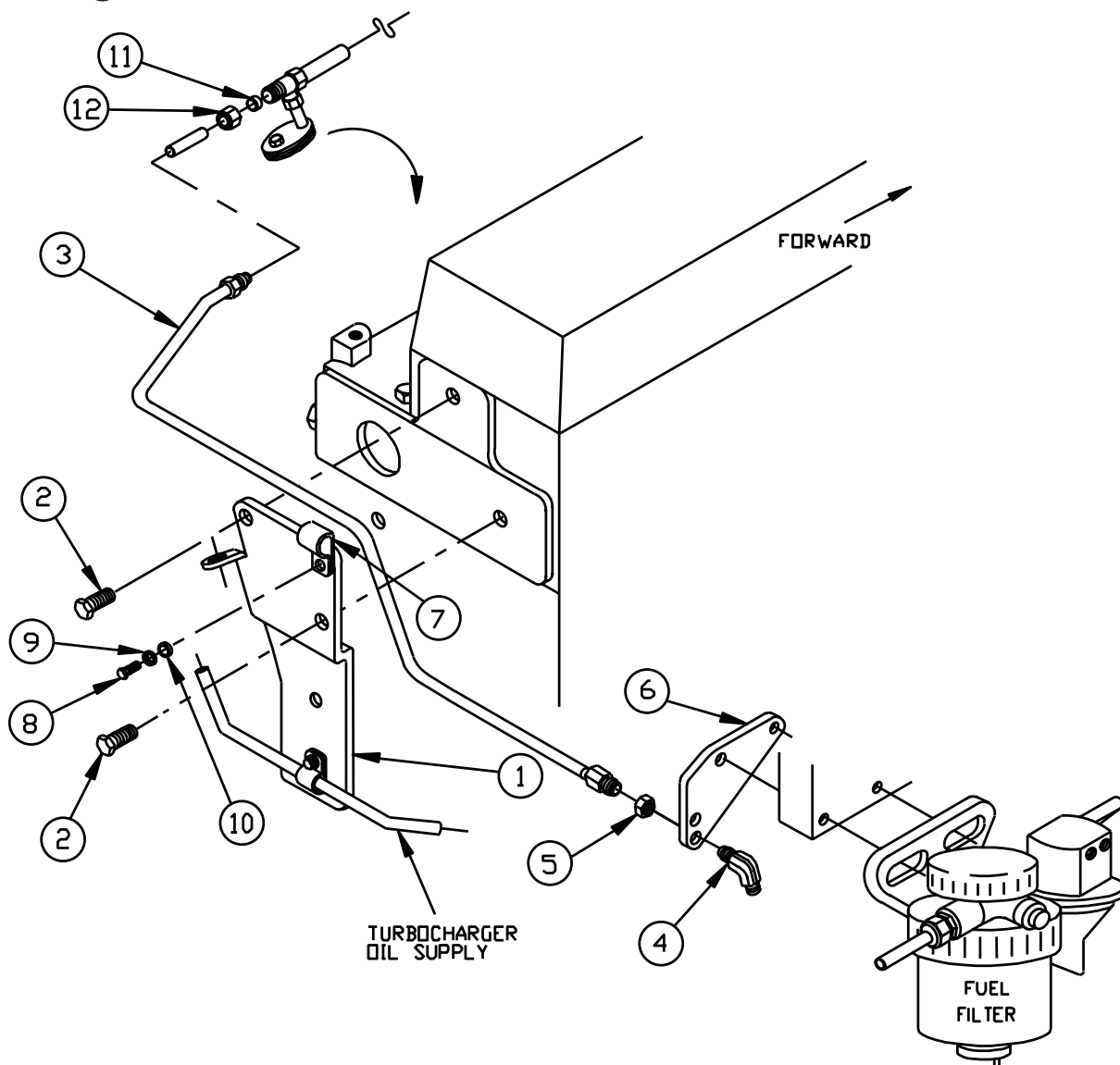
A-8507/ C-4210

KEY	PART NUMBER	QTY	DESCRIPTION	SERIAL NUMBER
1	23-09501	1	Bracket, Tube Support	-
2	15-00802	2	Lock Washer, Helical M10	-
3	12-00805	2	Capscrew, Hex Head M10 x 1.5 x 20 mm	-
4	27-59513	1	Tube Assembly, Fuel Return	-
5	21-52211	1	Bulkhead Union, Steel 1/4-37T	-
6	14-00012	1	Bulkhead Nut, 7/16-20 (1/4-37T)	-
7	19-72252	1	Adelle Clamp 3/8" ID x 3/8" Stud	-
8	12-00751	1	Capscrew, Hex Head M8 x 1.25 x 16 mm	-
9	15-00702	1	Lock Washer, Helical M8	-
10	15-00701	1	Flat Washer M8	-
11	21-60009	1	Female Adapter, Steel 1/8 NPT x M10 x 1.0	-
12	R123593	1	Nut	-
13	R51936	1	Tube Seal	-

GROUP 4 - FUEL SYSTEM

Fuel Supply & Return Connections

L-M1066A @ 60 Hz

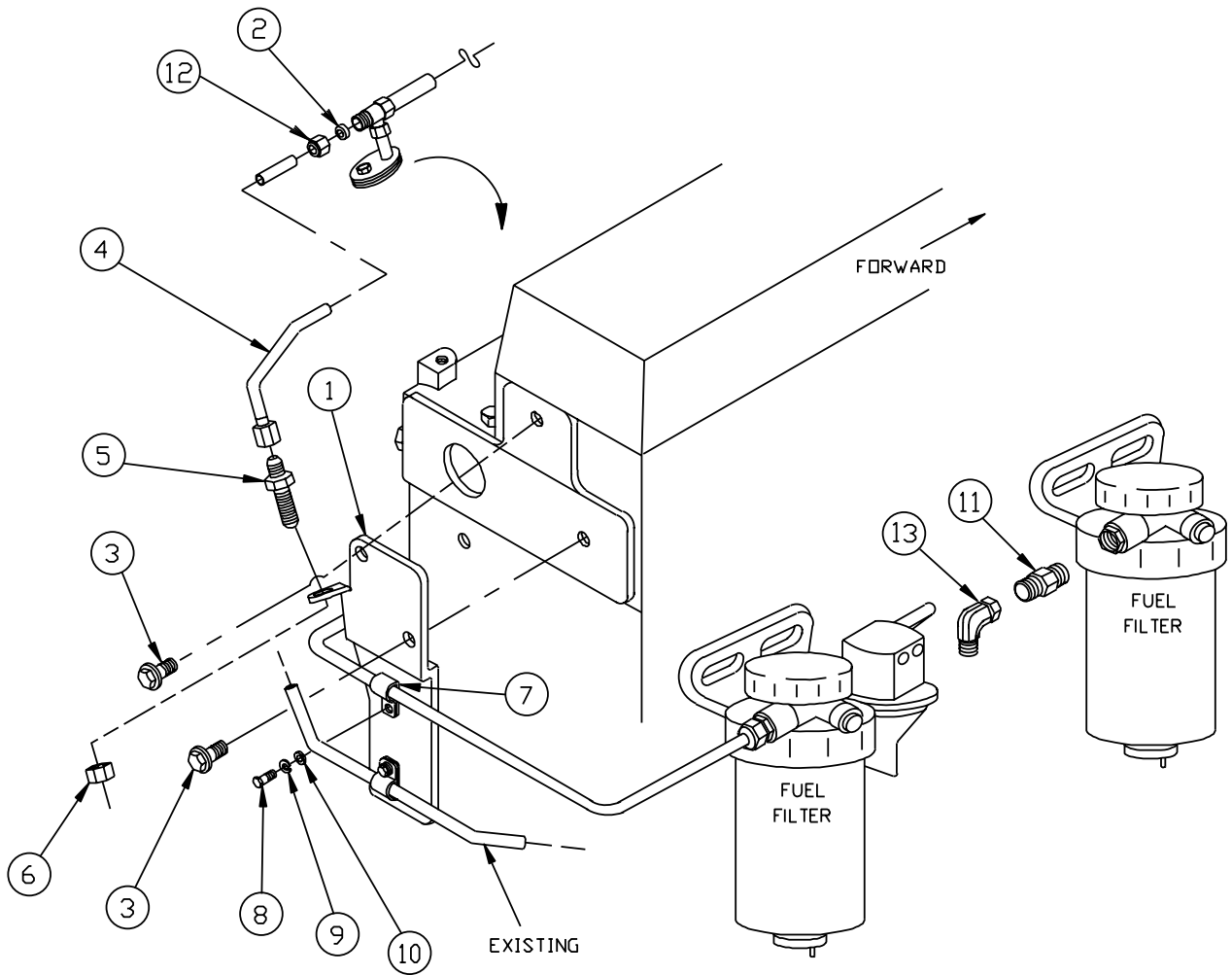


A-10684/ C-5693

KEY	PART NUMBER	QTY	DESCRIPTION	SERIAL NUMBER
1	23-09501	1	Bracket, Tube Support	-
2	19M7784	2	Capscrew, Hex Head Flanged, M10 x 1.5 x 20 mm	-
3	27-59619	1	Tube Assembly, Fuel Return	-
4	21-59512	1	Bulkhead Union, 45° Steel 1/4- 37T	-
5	14-00012	1	Bulkhead Nut, 7/16- 20 (1/4-37T)	-
6	23-59501	1	Bracket, Tube Support	-
7	19-72251	1	Adelle Clamp 1/4" ID x 3/8" Stud	-
8	12-00751	1	Capscrew, Hex Head M8 x 1.25 x 16 mm	-
9	15-00702	1	Lock Washer, Helical M8	-
10	15-00701	1	Flat Washer M8	-
11	R51936	1	Tube Seal	-
12	R123593	1	Nut	-

Fuel Supply & Return Connections

L- M1066H

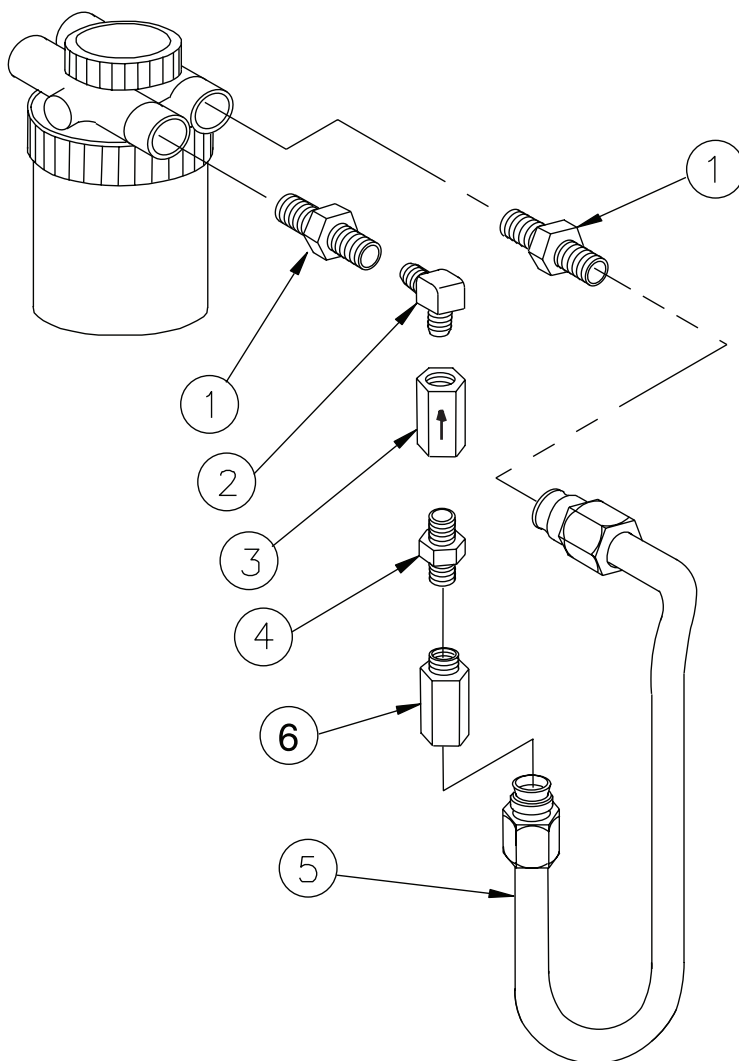


A-10683/ C-8949

KEY	PART NUMBER	QTY	DESCRIPTION	SERIAL NUMBER
1	23-09514	1	Bracket, Tube Support	-
2	R51936	1	Tube Seal	-
3	12-80832	2	Capscrew, Hex Head Flanged M10 x 1.5 x 30 mm	-
4	27-59503	1	Tube Assembly, Fuel Return	-
5	21-52211	1	Bulkhead Union, Steel 1/4-37T	-
6	14-00012	1	Bulkhead Nut, 7/16-20 (1/4-37T)	-
7	19-72252	1	Adelle Clamp 3/8" ID x 3/8" Stud	-
8	12-00751	1	Capscrew, Hex Head M8 x 1.25 x 16 mm	-
9	15-00702	1	Lock Washer, Helical M8	-
10	15-00701	1	Flat Washer M8	-
11	21-59508	1	Male Connector, Steel 3/8- 37T x M12 x 1.5	-
12	R123593	1	Nut	-
13	21-52213	1	Elbow, 90° Swivel Steel 3/8- 37T	-

Fuel Filter Bypass

M1066H

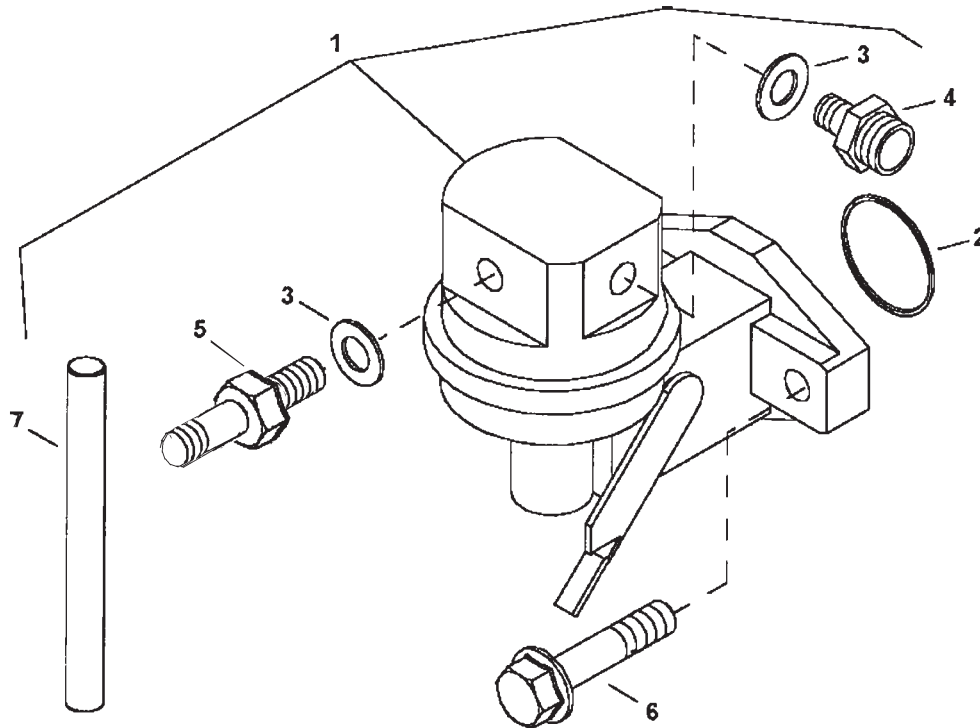


A-11161/A-11268

KEY	PART NUMBER	QTY	DESCRIPTION	SERIAL NUMBER
1	21-59508	2	Male Connector, Steel 3/8- 37T x M12 x 1.5	-
2	21-59522	1	Elbow, 90° Swivel, Steel 3/8- 37T x 1/4 NPT	-
3	36-70018	1	Check Valve, Steel 1/4 NPSF	-
4	21-00612	1	Male Connector, Steel 1/4 NPT x 3/8- 37T	-
5	27-59510	1	Tube Assembly, Fuel Filter Bypass	-
6	21-60009	1	Female Adapter Steel 1/8 NPT x M10 x 1.0	-
7	21-71055	1	Male Elbow 90° Steel 1/8 NPT x 3/8- 37T (at fuel pump inlet-not shown)	-

Fuel Transfer Pump

L- M- NL1066T, M99C2, L1066A, M1066A1, NL1066H1, L-M1066H, and NL1066H4



Reproduced by permission of Deere & Co., c2006. Deere & Company. All rights reserved.

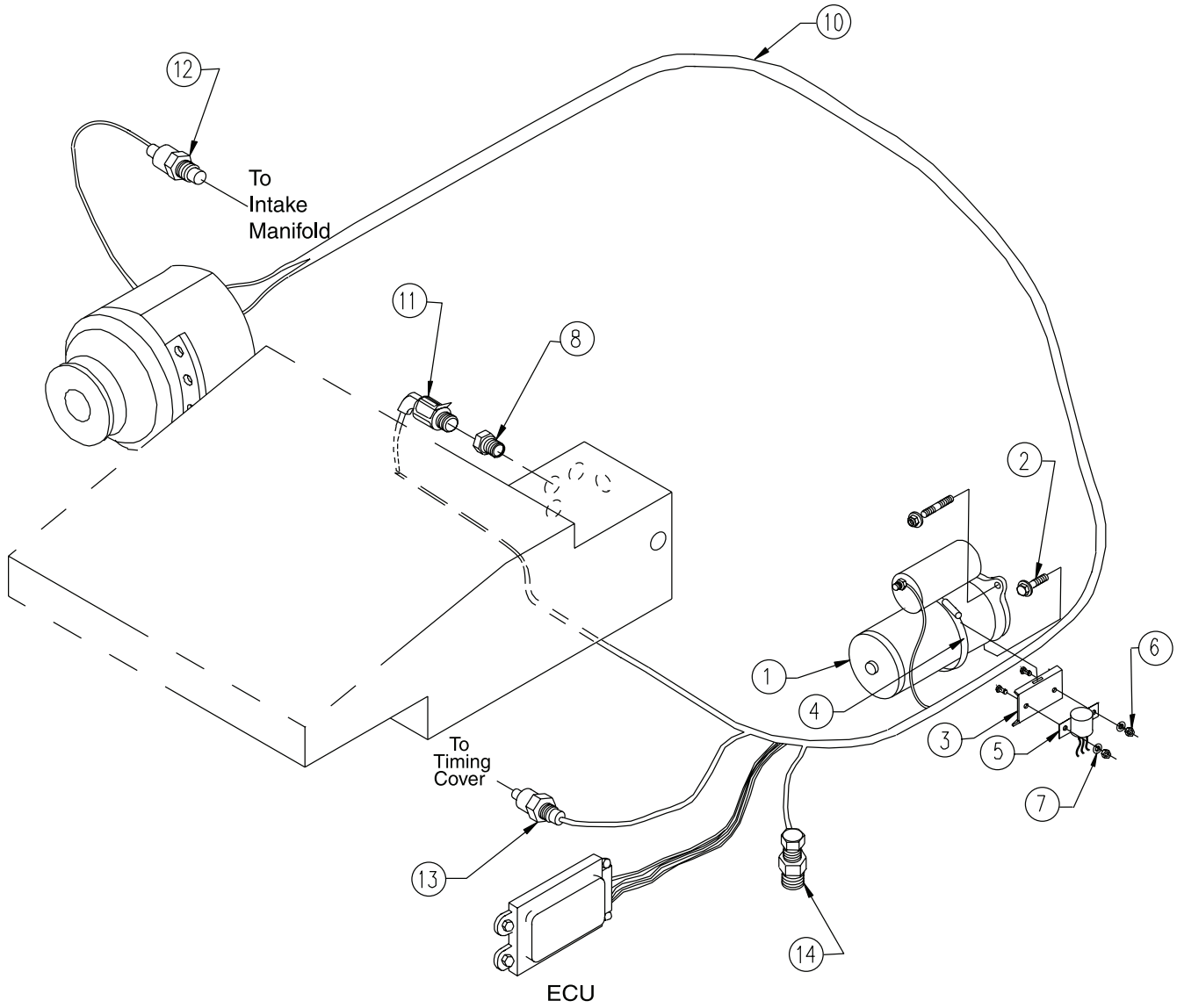
RG8272

KEY	PART NUMBER	QTY	DESCRIPTION	SERIAL NUMBER
1	RE68345	1	Fuel Pump (L-M-NL1066T, M99C2, L1066A, M1066A1, NL1066H1)	-
	RE517230	1	Fuel Pump (L-M1066H, NL1066H4)	-
2	R123273	1	O-ring	-
3	R500271	2	O-ring	-
4	R500270	**	Connector, M10 x 1.0 x 5/16 Compression (L-M-NL1066T, M99C2, L1066A, M1066A1, NL1066H1)	-
	R516543	**	Connector, M10 x 1.0 x 3/8 Compression (L-M1066H, NL1066H4)	-
5	R500269	1	Fitting	-
6	RE504233	2	Screw	-
7	R133405	1	Push Rod	-
			**As required	

GROUP 5 - ELECTRICAL SYSTEM

Engine Electrical 12 Volt Standard Ground

L1066T & L1066H



A-10487, A-10489/ B-8787_new

Engine Electrical 12 Volt Standard Ground

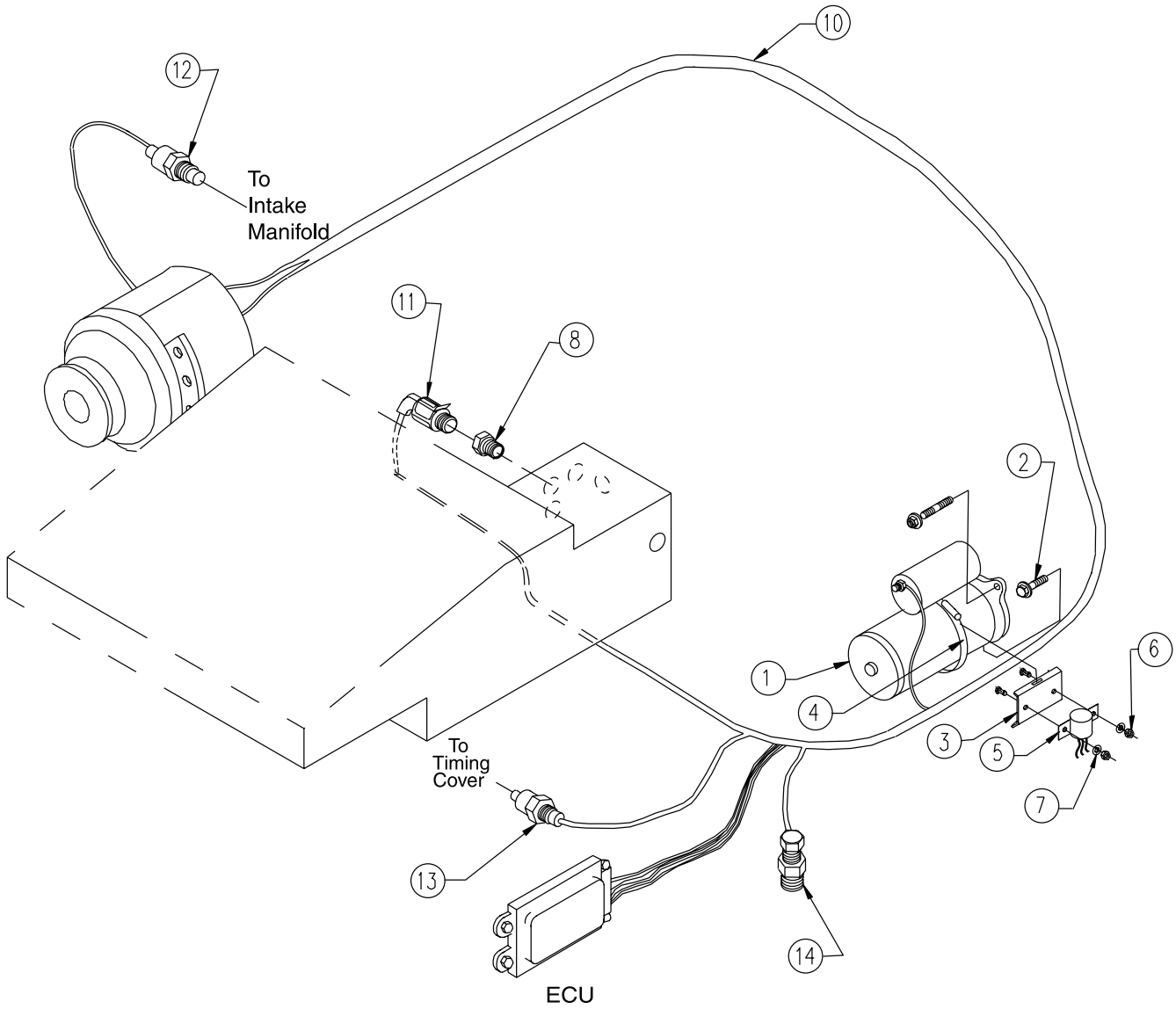
L1066T & L1066H

KEY	PART NUMBER	QTY	DESCRIPTION	SERIAL NUMBER
1	RE70957	1	Starter, 12 Volt Standard Ground	-
2	12-80832	3	Capscrew, Hex Head Flanged M10 x 1.5 x 30 mm Grade 8.8	-
3	23-40009	1	Bracket, Solenoid Mtg.	-
4	19-00088	1	Hose Clamp #88	-
5	22-41080	1	Solenoid 12 VDC 65 Amp	-
6	14-00112	2	Hex Nut, Nylock 1/4- 20	-
7	15-00121	2	Flat Washer 1/4" SAE	-
8	21-09601	1	Bushing, Steel 1/2 NPT x M14 x 1.5	-
9	AT157679	1	Transient Voltage Protector 12 V (not shown)	-
10	22-49513	1	Engine Wire Harness Assembly L1066T	up to s/n xxxx-3019
	22-49523	1	Engine Wire Harness Assembly L1066T	from s/n xxxx-3020
	22-49608	1	Engine Wire Harness Assembly L1066H	up to s/n xxxx-3096
	22-49618	1	Engine Wire Harness Assembly L1066H	from s/n xxxx-3097
11	RE52722	1	Sensor, Coolant Temperature	-
12	RE61812	1	Sensor, Air Temperature	-
13	RE519144	1	Speed Sensor	-
14	RE167207	1	Sensor, Oil & Fuel Pressure	-

GROUP 5 - ELECTRICAL SYSTEM

Engine Electrical 12 Volt Isolated Ground

L1066T & L1066H



A-10487, A-10489/ B-8787_new

Engine Electrical 12 Volt Isolated Ground

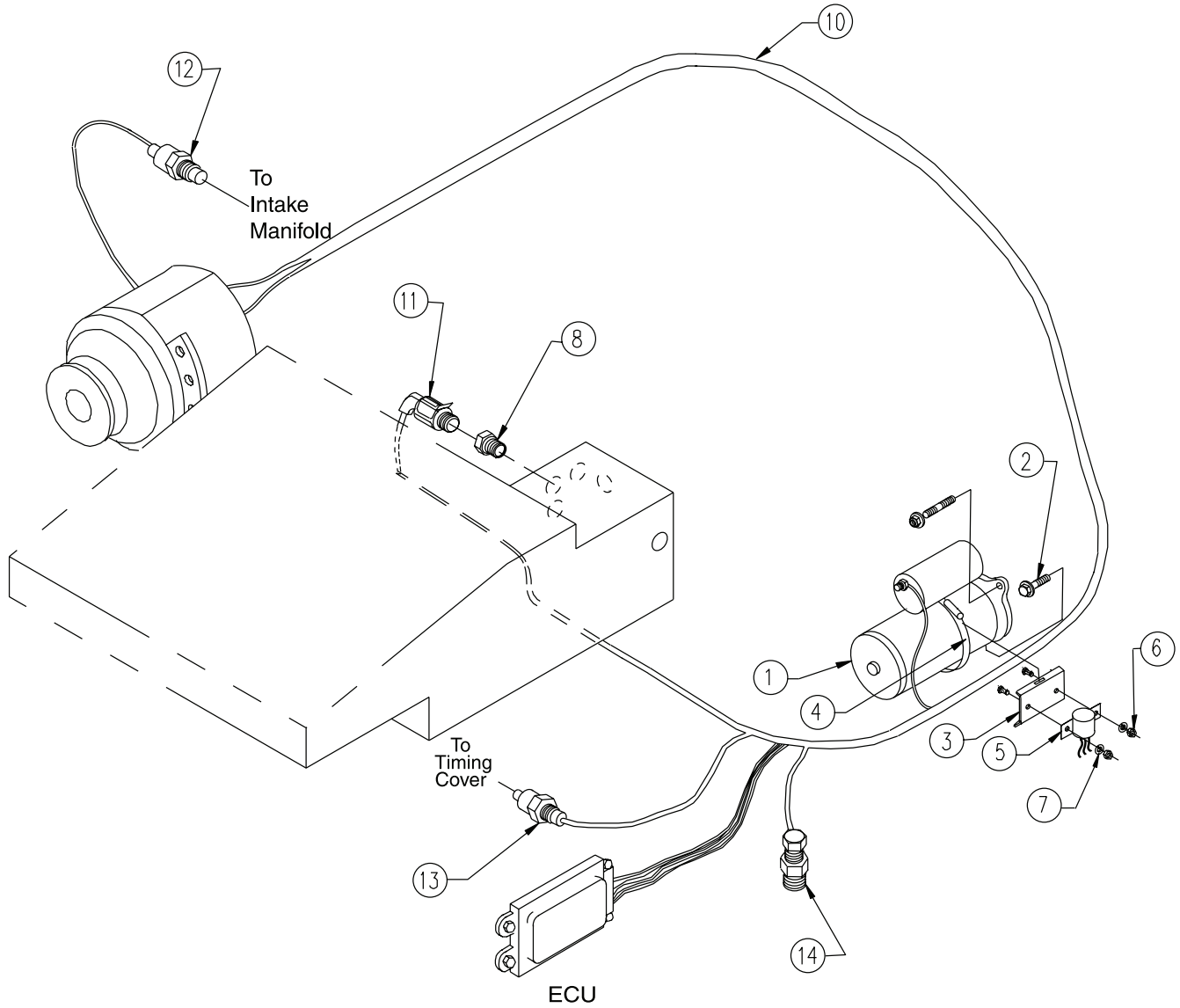
L1066T & L1066H

KEY	PART NUMBER	QTY	DESCRIPTION	SERIAL NUMBER
1	21-41647	1	Starter, 12 Volt Isolated Ground L1066T	-
	22-49507	1	Starter, 12 Volt Isolated Ground L1066H	-
2	12-80832	3	Capscrew, Hex Head Flanged M10 x 1.5 x 30 mm Grade 8.8	-
3	23-40009	1	Bracket, Solenoid Mtg.	-
4	19-00088	1	Hose Clamp #88	-
5	22-41080	1	Solenoid 12 VDC 65 Amp	-
6	14-00112	2	Hex Nut, Nylock 1/4- 20	-
7	15-00121	2	Flat Washer 1/4" SAE	-
8	21-09601	1	Bushing, Steel 1/2 NPT x M14 x 1.5	-
9	AT157679	1	Transient Voltage Protector 12 V (not shown)	-
10	22-49513	1	Engine Wire Harness Assembly L1066T	up to s/n xxxx-3019
	22-49523	1	Engine Wire Harness Assembly L1066T	from s/n xxxx-3020
	22-49608	1	Engine Wire Harness Assembly L1066H	up to s/n xxxx-3096
	22-49618	1	Engine Wire Harness Assembly L1066H	from s/n xxxx-3097
11	RE52722	1	Sensor, Coolant Temperature	-
12	RE61812	1	Sensor, Air Temperature	-
13	RE519144	1	Speed Sensor	-
14	RE167207	1	Sensor, Oil & Fuel Pressure	-

GROUP 5 - ELECTRICAL SYSTEM

Engine Electrical 24 Volt Standard Ground

L1066T & L1066H



A-10487, A-10489/ B-8787_new

Engine Electrical 24 Volt Standard Ground

L1066T & L1066H

KEY	PART NUMBER	QTY	DESCRIPTION	SERIAL NUMBER
1	22-41648	1	Starter, 24 Volt Standard Ground L1066T	-
	RE70961	1	Starter, 24 Volt Standard Ground L1066H	-
2	12-80832	3	Capscrew, Hex Head Flanged M10 x 1.5 x 30 mm Grade 8.8	-
3	23-40009	1	Bracket, Solenoid Mtg.	-
4	19-00088	1	Hose Clamp #88	-
5	22-41079	1	Solenoid 24 VDC 65 Amp	-
6	14-00112	2	Hex Nut, Nylock 1/4- 20	-
7	15-00121	2	Flat Washer 1/4" SAE	-
8	21-09601	1	Bushing, Steel 1/2 NPT x M14 x 1.5	-
9	AT163022	1	Transient Voltage Protector 24 V (not shown)	-
10	22-49513	1	Engine Wire Harness Assembly L1066T	up to s/n xxxx-3019
	22-49523	1	Engine Wire Harness Assembly L1066T	from s/n xxxx-3020
	22-49608	1	Engine Wire Harness Assembly L1066H	up to s/n xxxx-3096
	22-49618	1	Engine Wire Harness Assembly L1066H	from s/n xxxx-3097
11	RE52722	1	Sensor, Coolant Temperature	-
12	RE61812	1	Sensor, Air Temperature	-
13	RE519144	1	Speed Sensor	-
14	RE167207	1	Sensor, Oil & Fuel Pressure	-

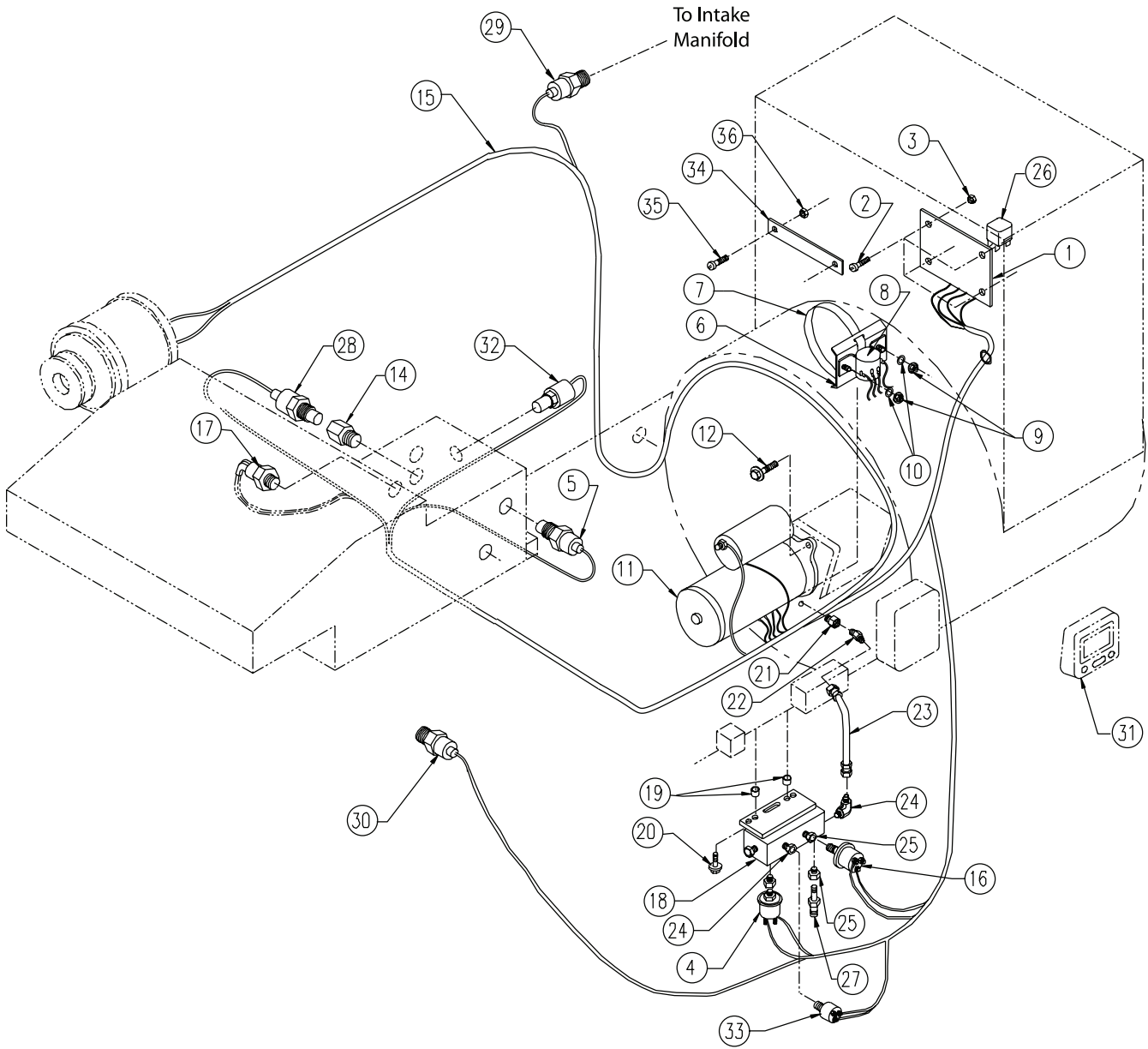
Engine Electrical 24 Volt Isolated Ground

L1066T & L1066H

KEY	PART NUMBER	QTY	DESCRIPTION	SERIAL NUMBER
1	22-41648	1	Starter, 24 Volt Standard Ground L1066T	-
	22-49508	1	Starter, 24 Volt Isolated Ground L1066H	-
2	12-80832	3	Capscrew, Hex Head Flanged M10 x 1.5 x 30 mm Grade 8.8	-
3	23-40009	1	Bracket, Solenoid Mtg.	-
4	19-00088	1	Hose Clamp #88	-
5	22-41079	1	Solenoid 24 VDC 65 Amp	-
6	14-00112	2	Hex Nut, Nylock 1/4- 20	-
7	15-00121	2	Flat Washer 1/4" SAE	-
8	21-09601	1	Bushing, Steel 1/2 NPT x M14 x 1.5	-
9	AT163022	1	Transient Voltage Protector 24 V (not shown)	-
10	22-49513	1	Engine Wire Harness Assembly L1066T	up to s/n xxxx-3019
	22-49523	1	Engine Wire Harness Assembly L1066T	from s/n xxxx-3020
	22-49608	1	Engine Wire Harness Assembly L1066H	up to s/n xxxx-3096
	22-49618	1	Engine Wire Harness Assembly L1066H	from s/n xxxx-3097
11	RE52722	1	Sensor, Coolant Temperature	-
12	RE61812	1	Sensor, Air Temperature	-
13	RE519144	1	Speed Sensor	-
14	RE167207	1	Sensor, Oil & Fuel Pressure	-

Engine Electrical 12 Volt Standard Ground

M1066



A-10490, A-11103, A-11104/ C-5667

Engine Electrical 12 Volt Standard Ground

M1066

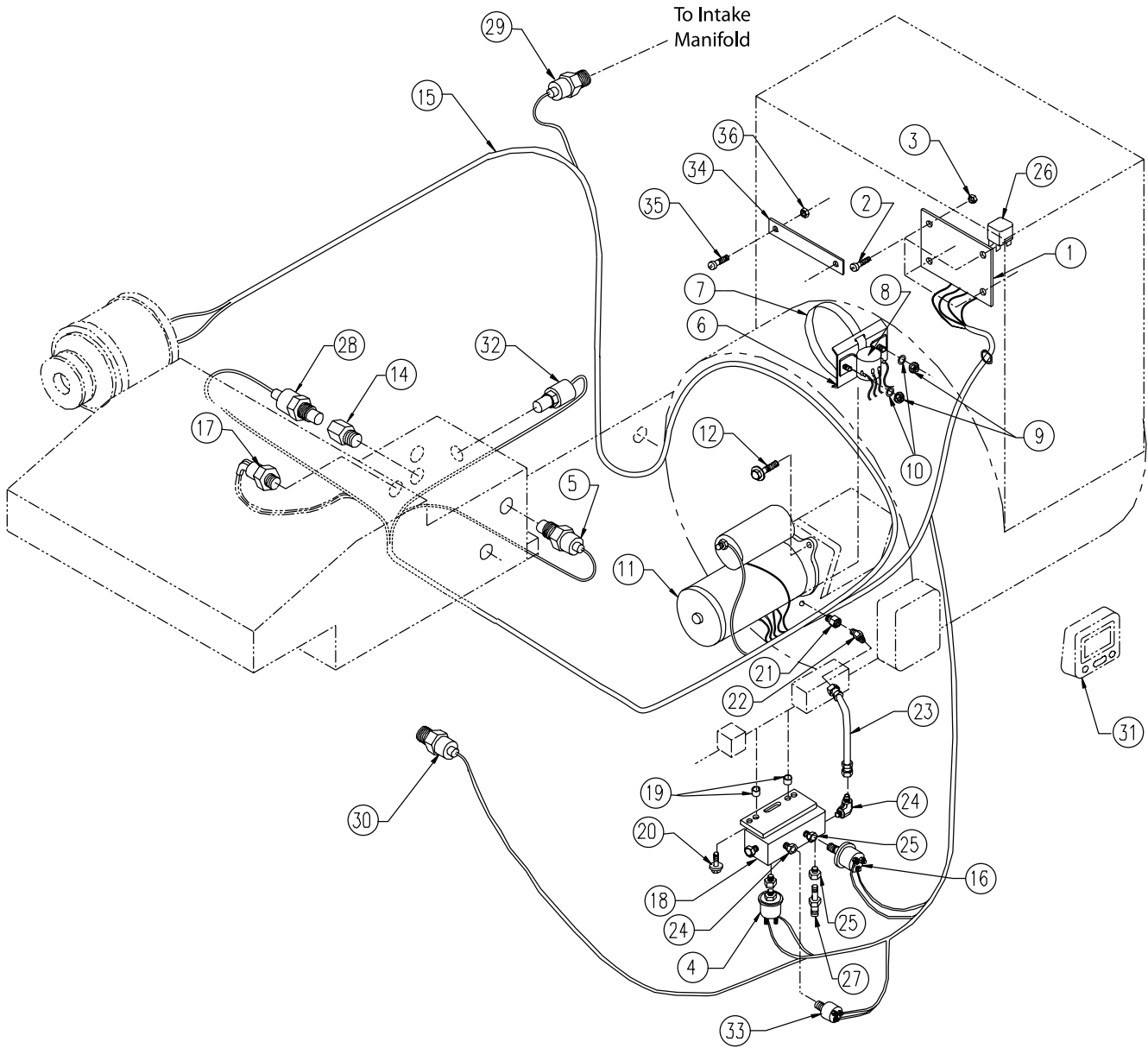
KEY	PART NUMBER	QTY	DESCRIPTION	SERIAL NUMBER
1	22-70083	1	Relay Board Assembly (see parts detail)	-
	22-70086	1	Relay Board Assembly, Autostart Units (see parts detail)	-
2	12-00001	4	Machine Screw BH Slotted #10- 32 x 3/4" S/S	-
3	14-00006	4	Hex Nut, Nylock #10- 32	-
4	22-40915	1	Pressure Switch 15 PSI 1/8 NPT	-
5	22-40907	1	Temperature Switch 205°F	-
6	23-40009	1	Bracket, Solenoid Mtg.	-
7	19-00088	1	Hose Clamp #88	-
8	22-41080	1	Solenoid 12 VDC 65 Amp Isolated Ground	-
9	12-80111	2	Hex Nut, Flanged 1/4- 20	-
10	15-00121	2	Flat Washer 1/4" SAE	-
11	RE70957	1	Starter, 12 V Standard Ground	-
	RE70960	1	Starter, 12 V Standard Ground (M1066H only, with double wall fuel lines)	-
12	12-80832	3	Capscrew, Hex Head Flanged M10 x 1.5 x 30 mm	-
13	AT157679	1	Transient Voltage Protector 12V	-
14	21-09601	1	Bushing, M14 x 1.5 x 1/2 NPT	-
15	22-49511	1	Wire Harness (M1066T & M1066A1 @1800 RPM)	-
	22-49603	1	Wire Harness (M1066A1 @1500 RPM & M1066A2- A3)	-
	22-49509	1	Wire Harness (M1066H)	-
16	22-41016	1	Oil Pressure Sender 0-80 PSI, Single Station	-
17	22-41026	1	Temperature Sender 250°F, Single Station	-
18	10-40001	1	Oil Pressure Manifold	-
19	21-13110	2	Spacer	-
20	19M8291	2	Capscrew, Hex Head Flanged M8 x 1.25 x 35 mm	-
21	21-52205	1	Male Connector, Steel 1/8 NPT x 1/4- 37T	-
22	21-00113	1	Elbow 45° Swivel, Steel 1/4- 37T	-
23	18-55405	1	Hose Assembly 1/4" I.D. x 9"	-
24	21-71049	1	Male Elbow 90° Steel, 1/4 NPT x 1/4- 37T	-
25	21-00132	5	Bushing, Brass 1/4 NPT x 1/8 NPT	-
26	22-42047	1	Relay, 12 Volt	-
27	RE167207	1	Oil Pressure Sensor*	-
28	RE52722	1	Coolant Temperature Sensor	-
29	RE61812	1	Air Temperature Sensor	-
30	RE519144	1	Speed Sensor	-
31	37-90086	1	Engine Data Module (optional)	-
32	22-40910	1	Temperature Switch 195°F 3/8 NPT	-
33	22-40901	1	Pressure Switch 25 PSI 1/8 NPT	-
34	22-41077	1	Terminal Strip	-
35	12-00005	2	Machine Screw	-
36	14-00003	2	Hex Nut, Nylock	-

} Optional for pre-alarm functions

*Also fuel pressure on L1066A - M1066A1 @ 1500 & M1066A2 - A3; see secondary fuel filter.

Engine Electrical 12 Volt Isolated Ground

M1066



A-10491/ C-5667

Engine Electrical 12 Volt Isolated Ground

M1066

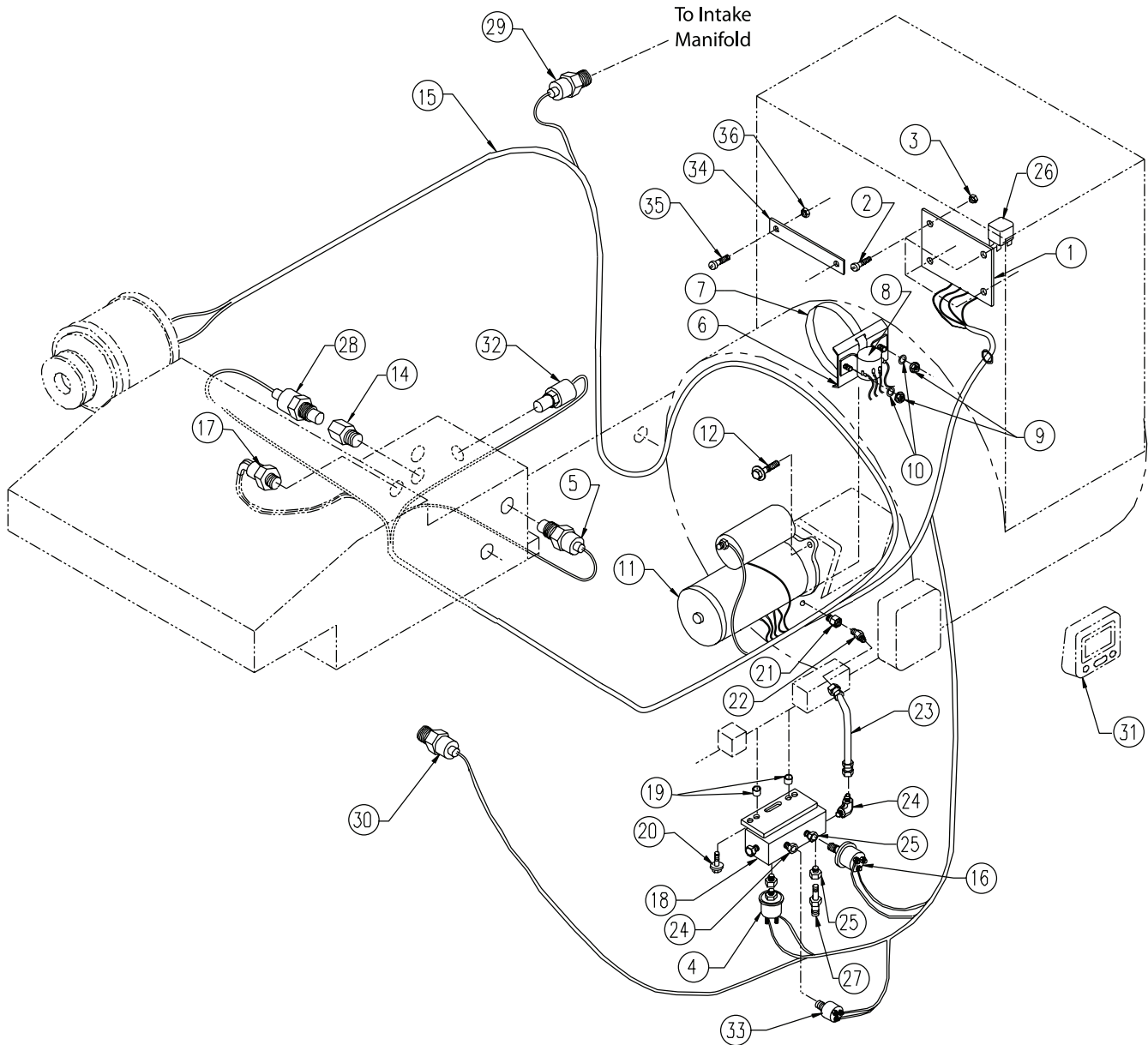
KEY	PART NUMBER	QTY	DESCRIPTION	SERIAL NUMBER
1	22-70083	1	Relay Board Assembly (see parts detail)	-
	22-70086	1	Relay Board Assembly, Autostart Units (see parts detail)	-
2	12-00001	4	Machine Screw BH Slotted #10- 32 x 3/4" S/S	-
3	14-00006	4	Hex Nut, Nylock #10- 32	-
4	22-40915	1	Pressure Switch 15 PSI 1/8 NPT	-
5	22-40907	1	Temperature Switch 205°F	-
6	23-40009	1	Bracket, Solenoid Mtg.	-
7	19-00088	1	Hose Clamp #88	-
8	22-41080	1	Solenoid 12 VDC 65 Amp Isolated Ground	-
9	12-80111	2	Hex Nut, Flanged 1/4- 20	-
10	15-00121	2	Flat Washer 1/4" SAE	-
11	22-41647	1	Starter, 12 V Isolated Ground	-
	22-49507	1	Starter, 12 V Isolated Ground (M1066H only)	-
12	12-80832	3	Capscrew, Hex Head Flanged M10 x 1.5 x 30 mm	-
13	AT157679	1	Transient Voltage Protector 12V	-
14	21-09601	1	Bushing, M14 x 1.5 x 1/2 NPT	-
15	22-49511	1	Wire Harness (M1066T & M1066A1 @1800 RPM)	-
	22-49603	1	Wire Harness (M1066A1 @1500 RPM & M1066A2- A3)	-
	22-49509	1	Wire Harness (M1066H)	-
16	22-42803	1	Oil Pressure Sender 0-80 PSI, Single Station	-
17	22-42802	1	Temperature Sender 250°F, Single Station	-
18	10-40001	1	Oil Pressure Manifold	-
19	21-13110	2	Spacer	-
20	19M8291	2	Capscrew, Hex Head Flanged M8 x 1.25 x 35 mm	-
21	21-52205	1	Male Connector, Steel 1/8 NPT x 1/4- 37T	-
22	21-00113	1	Elbow 45° Swivel, Steel 1/4- 37T	-
23	18-55405	1	Hose Assembly 1/4" I.D. x 9"	-
24	21-71049	1	Male Elbow 90° Steel, 1/4 NPT x 1/4- 37T	-
25	21-00132	5	Bushing, Brass 1/4 NPT x 1/8 NPT	-
26	22-42047	1	Relay, 12 Volt	-
27	RE167207	1	Oil Pressure Sensor*	-
28	RE52722	1	Coolant Temperature Sensor	-
29	RE61812	1	Air Temperature Sensor	-
30	RE519144	1	Speed Sensor	-
31	37-90086	1	Engine Data Module (optional)	-
32	22-40910	1	Temperature Switch 195°F 3/8 NPT	-
33	22-40901	1	Pressure Switch 25 PSI 1/8 NPT	-
34	22-41077	1	Terminal Strip	-
35	12-00005	2	Machine Screw	-
36	14-00003	2	Hex Nut, Nylock	-

} Optional for pre-alarm functions

*Also fuel pressure on L1066A - M1066A1 @ 1500 & M1066A2 - A3; see secondary fuel filter.

Engine Electrical 24 Volt Standard Ground

M1066



A-10492, A-11107/ C-5667

Engine Electrical 24 Volt Standard Ground

M1066

KEY	PART NUMBER	QTY	DESCRIPTION	SERIAL NUMBER
1	22-70084	1	Relay Board Assembly (see parts detail)	-
	22-70087	1	Relay Board Assembly, Autostart Units (see parts detail)	-
2	12-00001	4	Machine Screw BH Slotted #10- 32 x 3/4" S/S	-
3	14-00006	4	Hex Nut, Nylock #10- 32	-
4	22-40915	1	Pressure Switch 15 PSI 1/8 NPT	-
5	22-40907	1	Temperature Switch 205°F	-
6	23-40009	1	Bracket, Solenoid Mtg.	-
7	19-00088	1	Hose Clamp #88	-
8	22-41079	1	Solenoid 24 VDC 65 Amp Isolated Ground	-
9	12-80111	2	Hex Nut, Flanged 1/4- 20	-
10	15-00121	2	Flat Washer 1/4" SAE	-
11	22-41648	1	Starter, 24 V Isolated Ground	-
	RE70961	1	Starter, 24 V Isolated Ground (M1066H only)	-
12	12-80832	3	Capscrew, Hex Head Flanged M10 x 1.5 x 30 mm	-
13	AT163022	1	Transient Voltage Protector 24V	-
14	21-09601	1	Bushing, M14 x 1.5 x 1/2 NPT	-
15	22-49511	1	Wire Harness (M1066T & M1066A1 @1800 RPM)	-
	22-49603	1	Wire Harness (M1066A1 @1500 RPM & M1066A2- A3)	-
	22-49509	1	Wire Harness (M1066H)	-
16	22-41016	1	Oil Pressure Sender 0-80 PSI, Single Station	-
17	22-41026	1	Temperature Sender 250°F, Single Station	-
18	10-40001	1	Oil Pressure Manifold	-
19	21-13110	2	Spacer	-
20	19M8291	2	Capscrew, Hex Head Flanged M8 x 1.25 x 35 mm	-
21	21-52205	1	Male Connector, Steel 1/8 NPT x 1/4- 37T	-
22	21-00113	1	Elbow 45° Swivel, Steel 1/4- 37T	-
23	18-55405	1	Hose Assembly 1/4" I.D. x 9"	-
24	21-71049	1	Male Elbow 90° Steel, 1/4 NPT x 1/4- 37T	-
25	21-00132	5	Bushing, Brass 1/4 NPT x 1/8 NPT	-
26	22-40085	1	Relay, 24 Volt	-
27	RE167207	1	Oil Pressure Sensor*	-
28	RE52722	1	Coolant Temperature Sensor	-
29	RE61812	1	Air Temperature Sensor	-
30	RE519144	1	Speed Sensor	-
31	37-90086	1	Engine Data Module (optional)	-
32	22-40910	1	Temperature Switch 195°F 3/8 NPT	-
33	22-40901	1	Pressure Switch 25 PSI 1/8 NPT	-
34	22-41077	1	Terminal Strip	-
35	12-00005	2	Machine Screw	-
36	14-00003	2	Hex Nut, Nylock	-

} Optional for pre-alarm functions

*Also fuel pressure on L1066A - M1066A1 @ 1500 & M1066A2 - A3; see secondary fuel filter.

Engine Electrical 24 Volt Isolated Ground

M1066

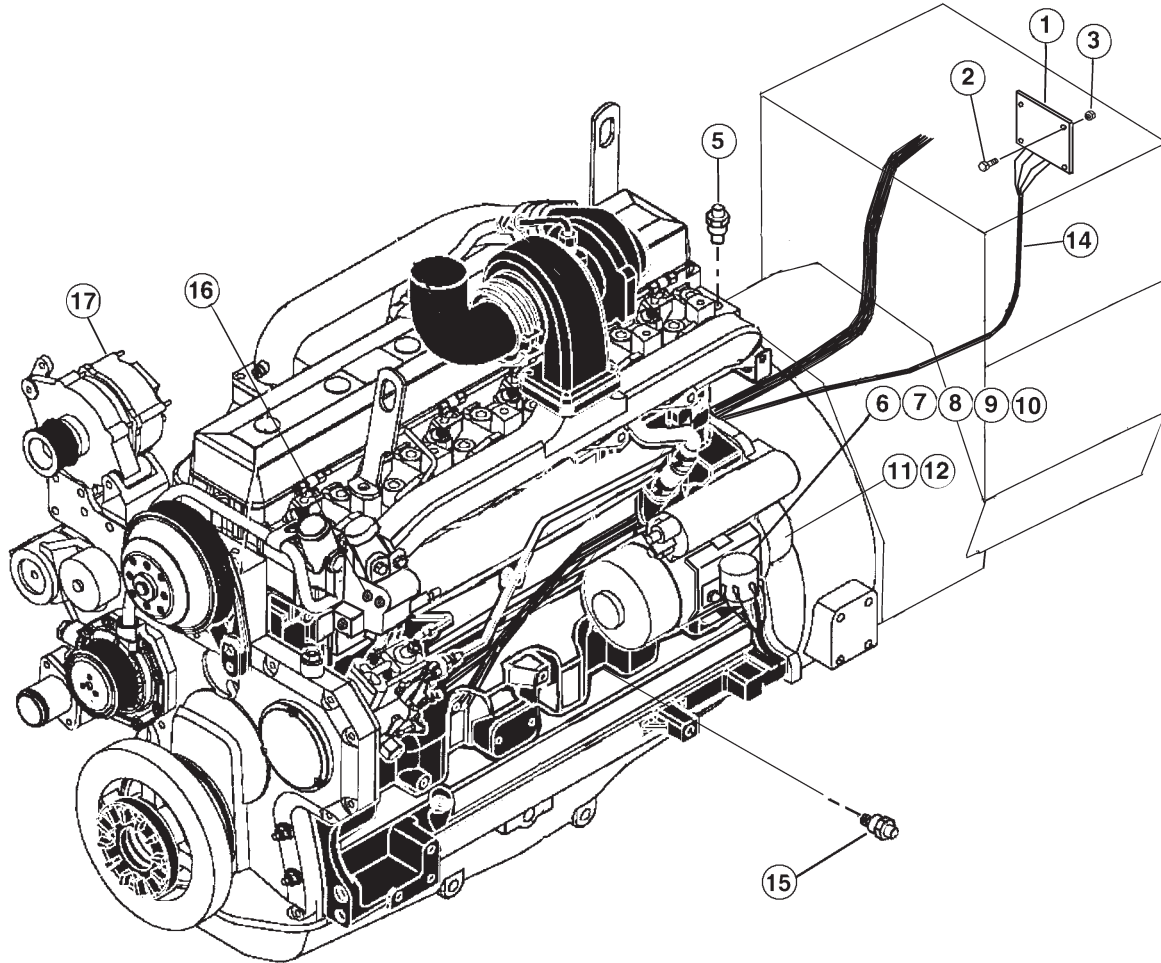
KEY	PART NUMBER	QTY	DESCRIPTION	SERIAL NUMBER
1	22-70084	1	Relay Board Assembly (see parts detail)	-
	22-70087	1	Relay Board Assembly, Autostart Units (see parts detail)	-
2	12-00001	4	Machine Screw BH Slotted #10- 32 x 3/4" S/S	-
3	14-00006	4	Hex Nut, Nylock #10- 32	-
4	22-40915	1	Pressure Switch 15 PSI 1/8 NPT	-
5	22-40904	1	Temperature Switch 205°F	-
6	23-40009	1	Bracket, Solenoid Mtg.	-
7	19-00088	1	Hose Clamp #88	-
8	22-41079	1	Solenoid 24 VDC 65 Amp Isolated Ground	-
9	12-80111	2	Hex Nut, Flanged 1/4- 20	-
10	15-00121	2	Flat Washer 1/4" SAE	-
11	22-41648	1	Starter, 24 V Isolated Ground	-
	22-49508	1	Starter, 24 V Isolated Ground (M1066H only)	-
12	12-80832	3	Capscrew, Hex Head Flanged M10 x 1.5 x 30 mm	-
13	AT163022	1	Transient Voltage Protector 24V	-
14	21-09601	1	Bushing, M14 x 1.5 x 1/2 NPT	-
15	22-49511	1	Wire Harness (M1066T & M1066A1 @1800 RPM)	-
	22-49603	1	Wire Harness (M1066A1 @1500 RPM & M1066A2- A3)	-
	22-49509	1	Wire Harness (M1066H)	-
16	22-42803	1	Oil Pressure Sender 0-80 PSI, Single Station	-
17	22-42802	1	Temperature Sender 250°F, Single Station	-
18	10-40001	1	Oil Pressure Manifold	-
19	21-13110	2	Spacer	-
20	19M8291	2	Capscrew, Hex Head Flanged M8 x 1.25 x 35 mm	-
21	21-52205	1	Male Connector, Steel 1/8 NPT x 1/4- 37T	-
22	21-00113	1	Elbow 45° Swivel, Steel 1/4- 37T	-
23	18-55405	1	Hose Assembly 1/4" I.D. x 9"	-
24	21-71049	1	Male Elbow 90° Steel, 1/4 NPT x 1/4- 37T	-
25	21-00132	5	Bushing, Brass 1/4 NPT x 1/8 NPT	-
26	22-40085	1	Relay, 24 Volt	-
27	RE167207	1	Oil Pressure Sensor*	-
28	RE52722	1	Coolant Temperature Sensor	-
29	RE61812	1	Air Temperature Sensor	-
30	RE519144	1	Speed Sensor	-
31	37-90086	1	Engine Data Module (optional)	-
32	22-40910	1	Temperature Switch 195°F 3/8 NPT	-
33	22-40901	1	Pressure Switch 25 PSI 1/8 NPT	-
34	22-41077	1	Terminal Strip	-
35	12-00005	2	Machine Screw	-
36	14-00003	2	Hex Nut, Nylock	-

} Optional for pre-alarm functions

*Also fuel pressure on L1066A - M1066A1 @ 1500 & M1066A2 - A3; see secondary fuel filter.

Engine Electrical 12 Volt Standard Ground

NL1066T, H1, H2, H3, and H4



Engine Electrical 12 Volt Standard Ground

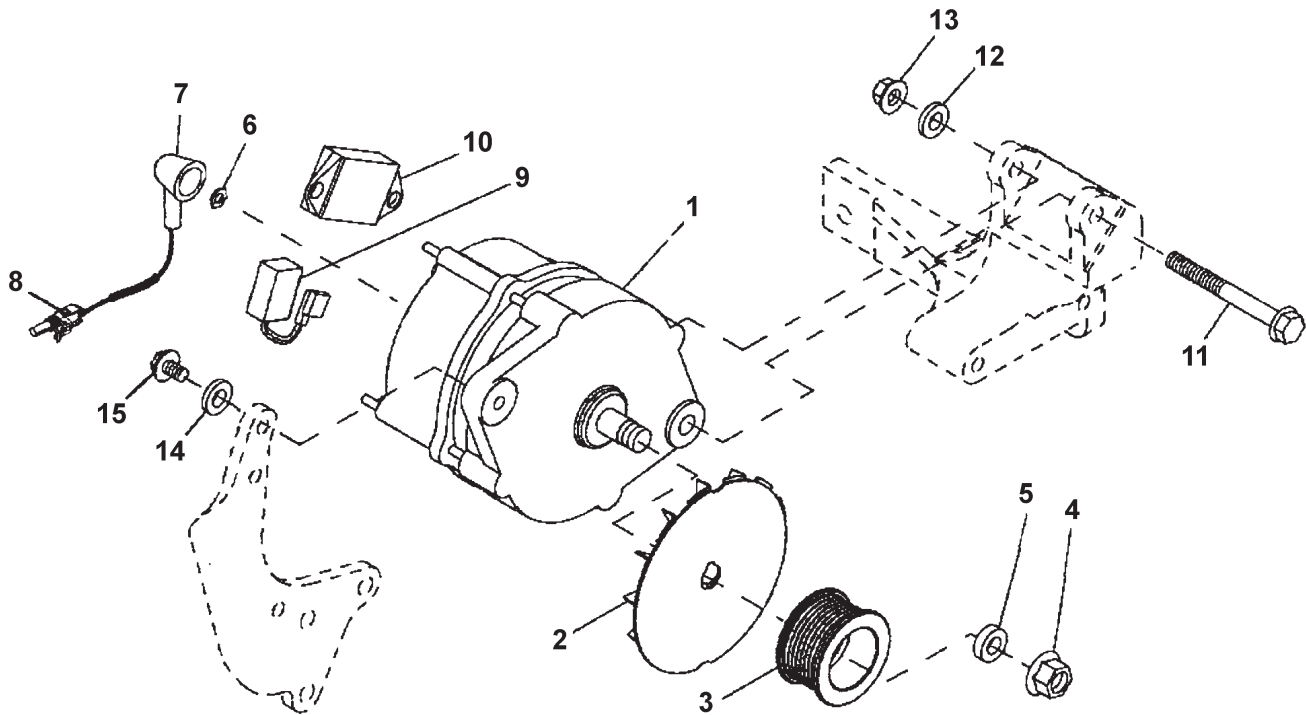
NL1066T, H1, H2, H3, and H4

KEY	PART NUMBER	QTY	DESCRIPTION	SERIAL NUMBER
1	22-70083-1	1	Relay Board Assembly (see parts detail)	-
2	12-00001	4	Machine Screw, BH Slotted #10- 32 x 3/4" S/S	-
3	14-00006	4	Hex Nut, Nylock #10- 32	-
4	22-40915	1	Pressure Switch 15 PSI 1/8 NPT	-
5	22-40364	1	Temperature Switch 235°F	-
6	23-40009	1	Bracket, Solenoid Mounting	-
7	19-00088	1	Hose Clamp #88	-
8	22-41080	1	Solenoid 12 VDC 65 Amp	-
9	14-00112	2	Hex Nut Nylock 1/4- 20	-
10	15-00121	2	Flat Washer 1/4" SAE	-
11	RE70957	1	Starter 12 Volt	-
12	12-80832	3	Capscrew, Hex Head Flanged M10 x 1.5 x 30 mm	-
13	AT157679	1	Transient Voltage Protector 12 Volt	-
14	22-49511	1	Wire Harness (NL1066T- H1 only)	-
15	22-41016	1	Pressure Sender 0-80 PSI Standard Ground	-
16	22-41026	1	Temperature Sender 250°F Standard Ground	-
17	AT173624	1	Alternator 12 Volt 65 Amp (see mounting detail)	-
18	RE167207	1	Oil Pressure Sensor*	-
19	RE52722	1	Coolant Temperature Sensor	-
20	RE61812	1	Air Temperature Sensor	-
21	RE519144	1	Speed Sensor	-
			*Also fuel pressure on NL1066H2 & H3; see secondary fuel filter.	

GROUP 5 - ELECTRICAL SYSTEMS

12 Volt/ 65 Amp Medium Frame Alternator

L- M- NL1066T, M99C2, M1066A1,A2, A3, NL1066H1, H2, H3



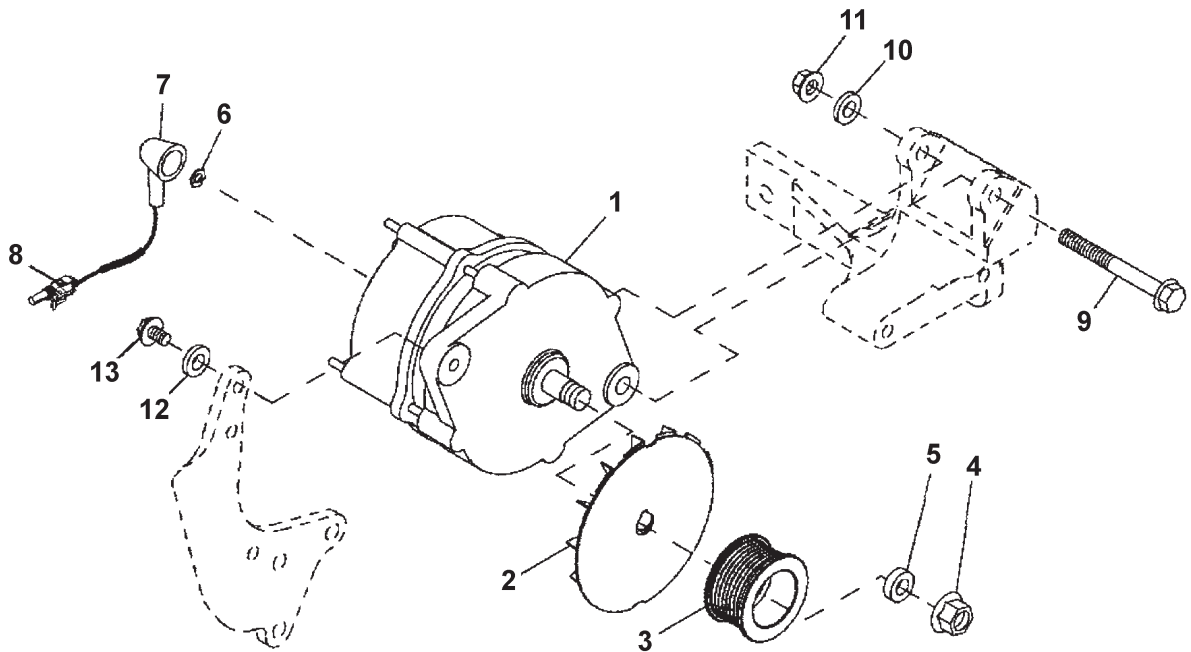
Reproduced by permission of Deere & Co., c2006. Deere & Company. All rights reserved.

RGP8260

KEY	PART NUMBER	QTY	DESCRIPTION	SERIAL NUMBER
••	22-49531	1	Alternator Assembly (includes keys #1-10)	-
1	AT173624	1	Alternator 12 Volt 65 Amp (see mounting detail)	-
2	T158584	1	Fan	-
3	R501486	1	Pulley	-
4	14M7158	1	Nut	-
5	T10745	1	Washer	-
6	14M7297	1	Nut, M5	-
7	RE505489	1	Wiring Harness	-
8	RE12362	1	Electrical Connector Assembly	-
9	H144095	1	Capacitor	-
10	H144094	1	Voltage Regulator	-
11	19M7812	1	Screw	-
12	R64525	1	Thrust Washer	-
13	14M7296	1	Flange Nut	-
14	R48808	1	Washer	-
15	19M7867	1	Capscrew, M8 x 25	-

24 Volt/ 45 Amp Medium Frame Alternator

L- M- NL1066T, M99C2, M1066A1,A2, A3, NL1066H1, H2, H3



Reproduced by permission of Deere & Co., c2005. Deere & Company. All rights reserved.

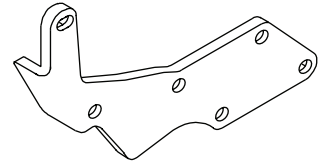
RGP8262

KEY	PART NUMBER	QTY	DESCRIPTION	SERIAL NUMBER
••	22-49533	1	Alternator Assembly (includes keys #1-8)	-
1	TY24322	1	Alternator 24V/ 45 Amp (see mounting detail)	-
2	T158584	1	Fan	-
3	R501486	1	Pulley	-
4	14M7158	1	Nut	-
5	T10745	1	Washer	-
6	14M7297	1	Nut	-
7	RE505489	1	Wiring Harness	-
8	RE12362	1	Electrical Connector Assembly	-
9	19M7812	1	Screw	-
10	R64525	1	Thrust Washer	-
11	14M7296	1	Flange Nut	-
12	R48808	1	Washer	-
13	19M7867	1	Screw	-

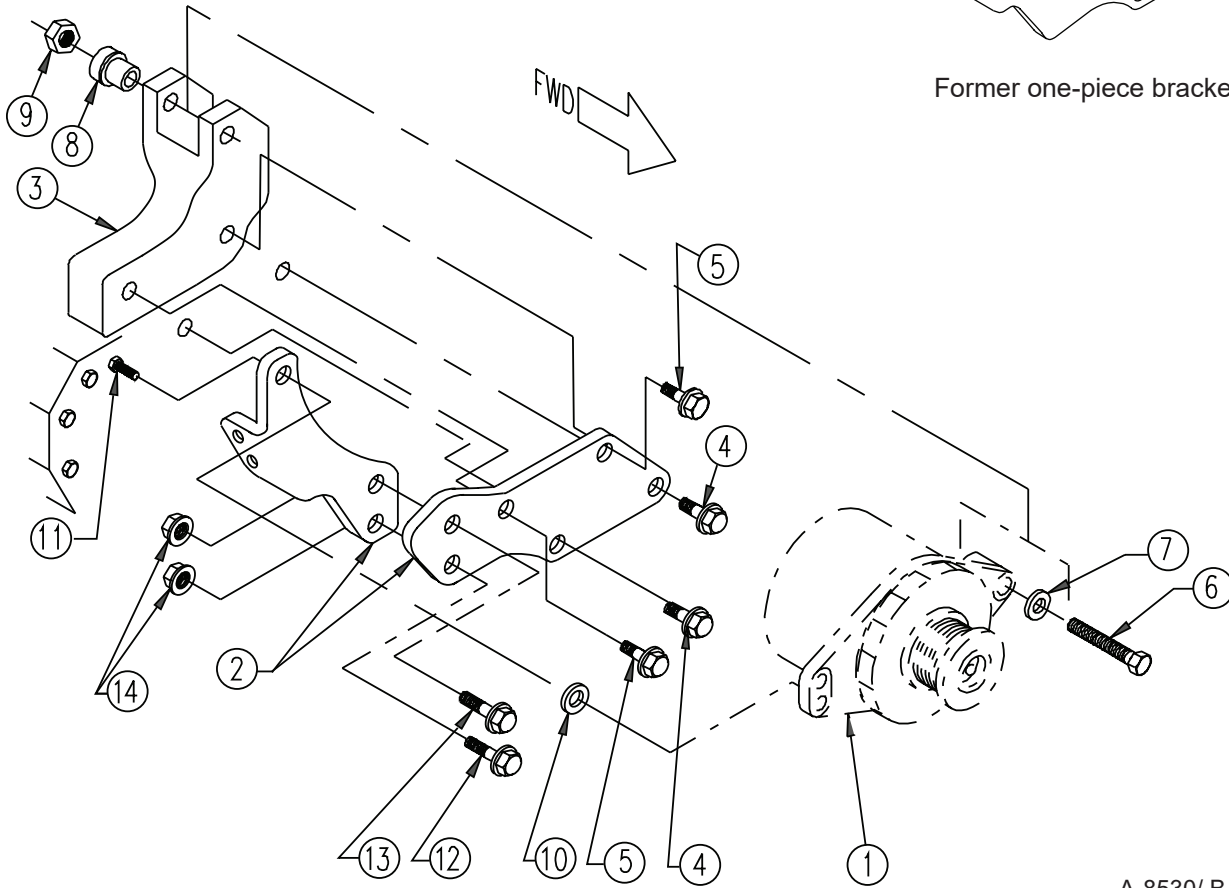
GROUP 5 - ELECTRICAL SYSTEMS

Medium Frame Alternator & Mounting

L- M1066T, M99C2, L1066A, M1066A1, A2, A3



Former one-piece bracket

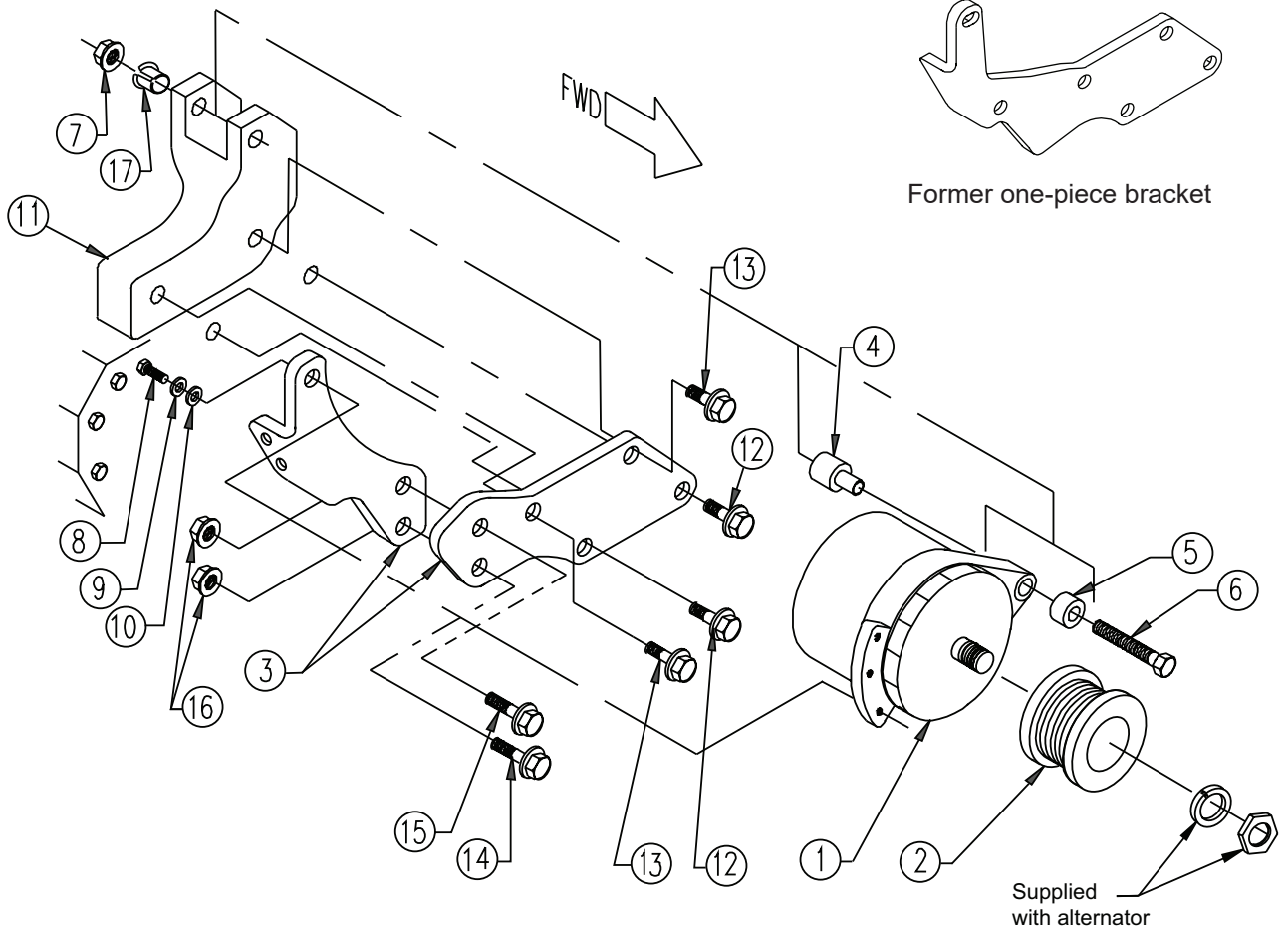


A-8530/ B-9502

KEY	PART NUMBER	QTY	DESCRIPTION	SERIAL NUMBER
1	22-49531	1	Alternator, 12 Volt/ 65 Amp Isolated Ground (see parts detail)	-
	22-49533	1	Alternator, 24 Volt/ 45 Amp Isolated Ground (see parts detail)	-
2	23-49521	1	Bracket, Lower	-
	23-49522	1	Bracket, Upper	-
			} replaces former one piece bracket	
3	R132166	1	Bracket	-
4	19M7801	2	Capscrew, Hex Head Flanged, M8 x 1.25 x 60 mm	-
5	19M7785	2	Capscrew, Hex Head Flanged, M10 x 1.5 x 25 mm	-
6	12-80088	1	Capscrew, Hex Head Flanged, M10 x 1.5 x 95 mm	-
7	R64525	1	Shim	-
8	R100377	1	Bushing	-
9	14-80811	1	Flange Nut	-
10	15-49501	**	Spacer	-
11	12-80753	1	Capscrew, Hex Head Flanged, M8 x 1.25 x 30 mm	-
12	19M7789	1	Capscrew, Hex Head Flanged, M12 x 1.75 x 30 mm	-
13	19M7790	1	Capscrew, Hex Head Flanged, M12 x 1.75 x 35 mm	-
14	14M7299	2	Hex Nut, Flanged M12 x 1.75	-
			**As required	

Medium Frame Alternator & Mounting

L- M1066T, M99C2, L1066A, M1066A1, A2, A3

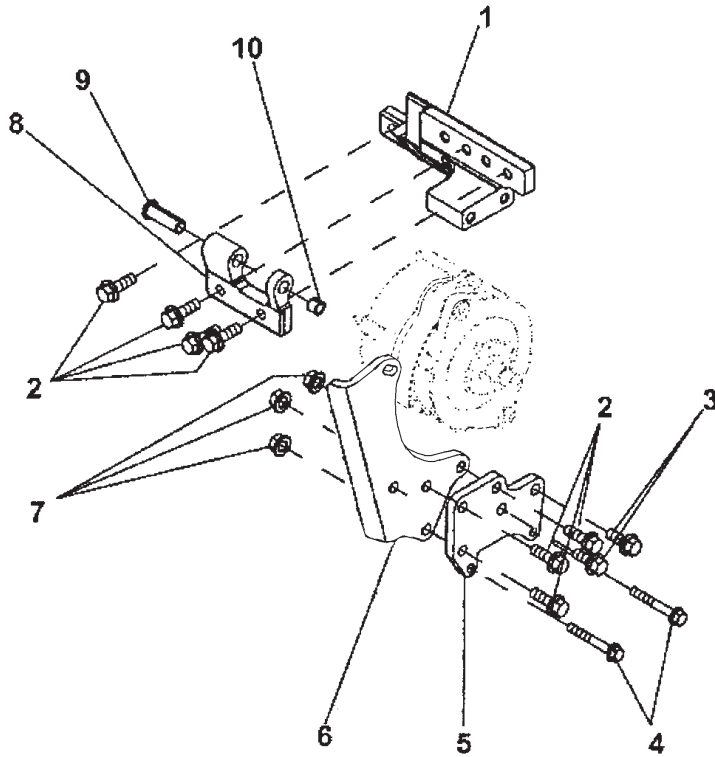


A-8530/ B-6405

KEY	PART NUMBER	QTY	DESCRIPTION	SERIAL NUMBER
1	22-40523	1	Alternator, 12 Volt/ 51 Amp Iso. Ground (replaces 22-40512)	-
	22-40513	1	Alternator, 24 Volt/ 35 Amp Isolated Ground	-
2	34-49502	1	Pulley 8 Groove 2.36" O.D. x 5/8" I.D.	-
3	23-49521	1	Bracket, Lower	-
	23-49522	1	Bracket, Upper } replaces former one piece bracket	-
4	31-49501	1	Alternator Mounting Adapter	-
5	21-49502	1	Spacer, Steel 1" O.D. x 13/32" I.D. x 6.8 mm	-
6	12-80088	1	Capscrew, Hex Head Flanged, M10 x 1.5 x 95 mm	-
7	14-80811	1	Hex Nut, Flanged M10 x 1.5 mm	-
8	12-00213	1	Capscrew, Hex Head 5/16-18 x 1- 1/4"	-
9	15-00202	1	Lock Washer, Helical 5/16	-
10	15-00221	1	Flat Washer, 5/16" SAE	-
11	R132166	1	Bracket	-
12	19M7801	2	Capscrew, Hex Head Flanged, M8 x 1.25 x 60 mm	-
13	19M7785	2	Capscrew, Hex Head Flanged, M10 x 1.5 x 25 mm	-
14	19M7789	1	Capscrew, Hex Head Flanged M12 x 1.75 x 30 mm	-
15	19M7790	1	Capscrew, Hex Head Flanged M12 x 1.75 x 35 mm	-
16	14M7299	2	Hex Nut, Flanged M12 x 1.75	-
17	R100377	1	Bushing	-
18	22-70048	1	Diode Harness Addition (used only with 12V/ 51 Amp Alternator, not shown)	-

Medium Frame Alternator Mounting

L- M1066H with 12V/ 65 Amp or 24V/ 45 Amp Alternator



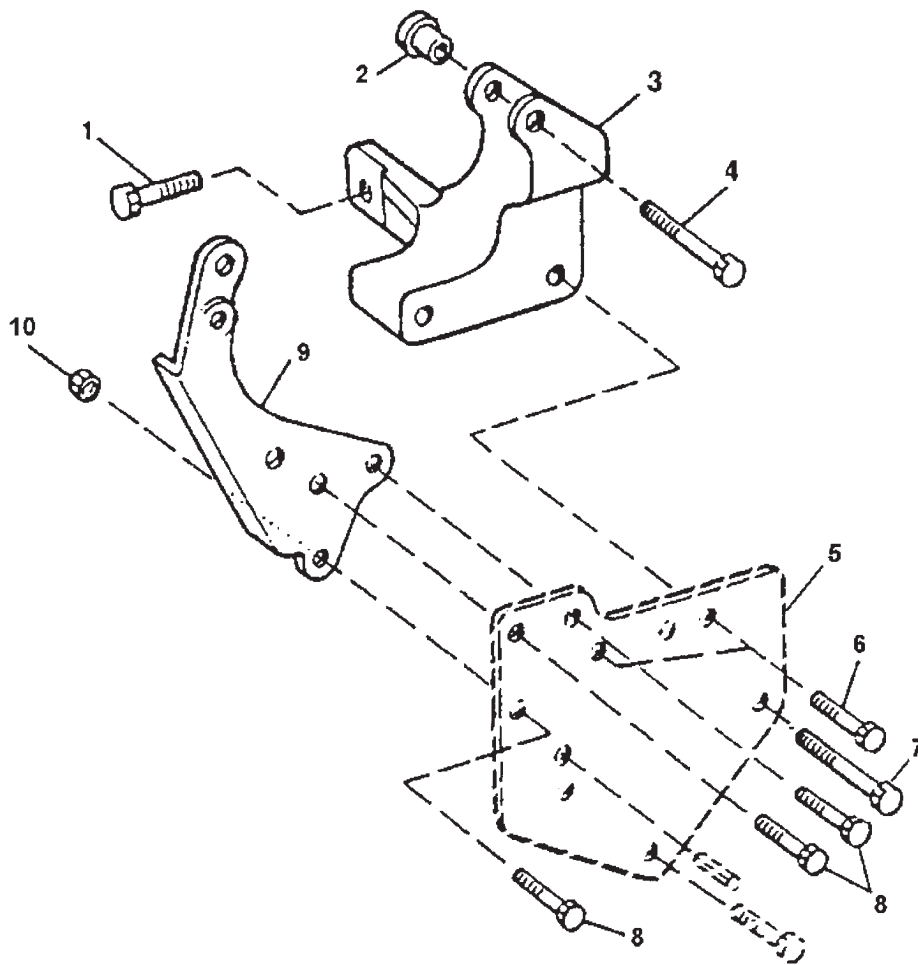
Reproduced by permission of Deere & Co., c2006. Deere & Company. All rights reserved.

RE517275SPA

KEY	PART NUMBER	QTY	DESCRIPTION	SERIAL NUMBER
1	R516584	1	Bracket	-
2	19M7786	7	Capscrew, M10 x 30 mm	-
3	19M7785	2	Capscrew, M10 x 25 mm	-
4	19M7801	2	Capscrew, M8 x 60 mm	-
5	R516510	1	Support	-
6	23-49516	1	Bracket	-
7	14M7296	3	Flange Nut, M10	-
8	R516574	1	Bracket	-
9	R134010	1	Bushing	-
10	R135423	1	Bushing	-

Medium Frame Alternator Mounting

NL1066T - H1- H2- H3



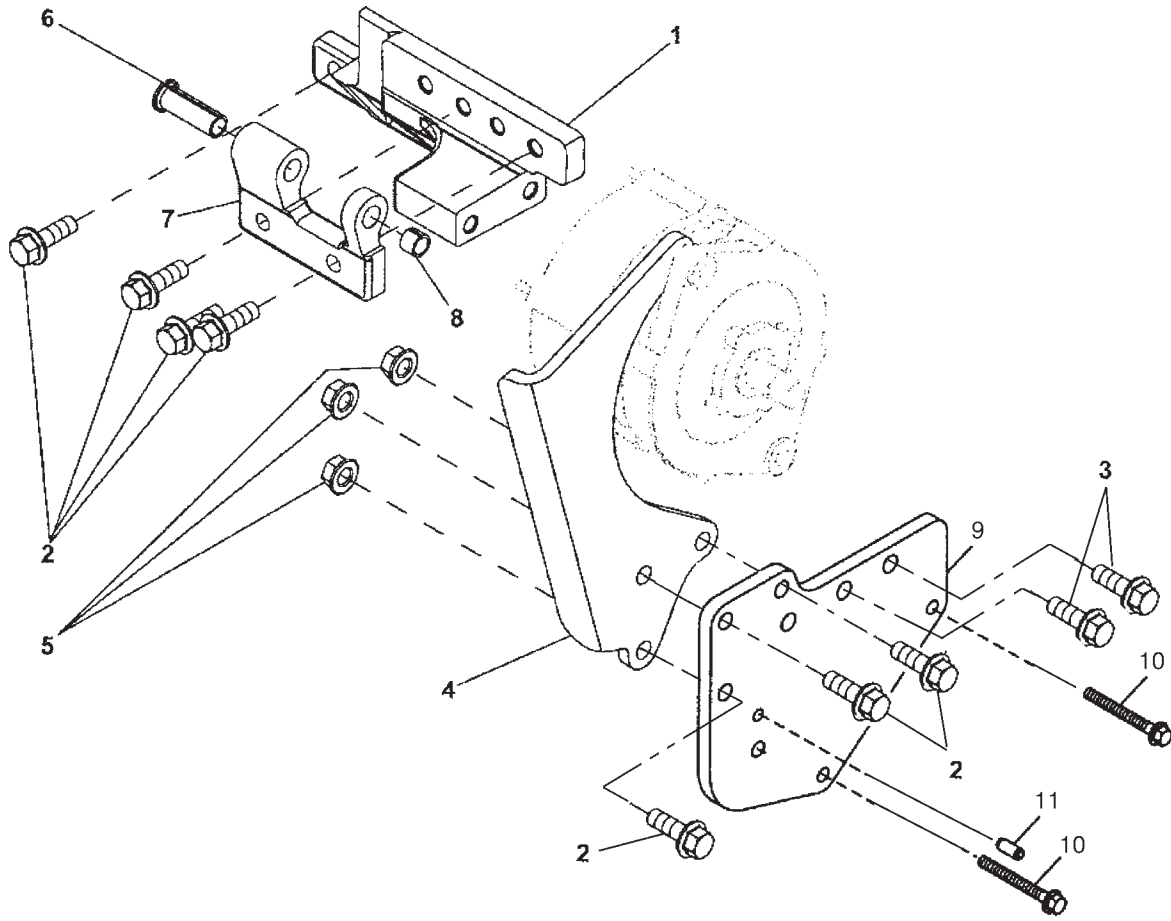
Reproduced by permission of Deere & Co., c2006. Deere & Company. All rights reserved.

RGP8623

KEY	PART NUMBER	QTY	DESCRIPTION	SERIAL NUMBER
1	19M7786	5	Capscrew, M10 x 30 mm	-
2	R100377	1	Bushing	-
3	R132166	1	Bracket	-
4	19M7812	1	Capscrew, Hex Head Flanged M10 x 1.5 x 100 mm	-
5	R132168	1	Support	-
6	19M7785	2	Capscrew, M10 x 25	-
7	19M7801	2	Capscrew, M8 x 60 mm	-
8	34M7061	1	Spring Pin	-
9	R132167	1	Bracket	-
10	14M7296	3	Flange Nut, M10	-

Medium Frame Alternator Mounting

NL1066H4 with 12V/ 65 Amp or 24V/ 45 Amp Alternator



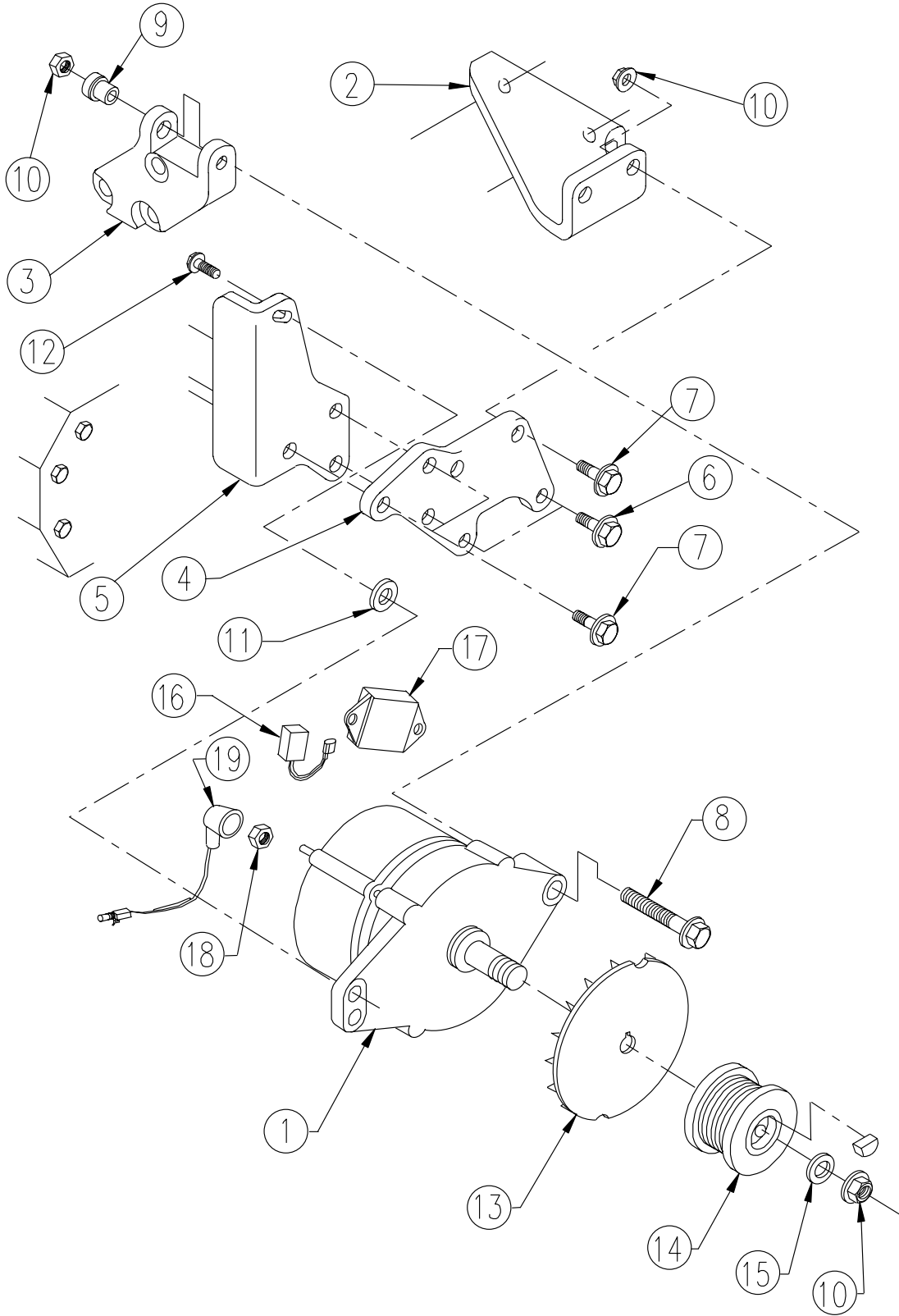
Reproduced by permission of Deere & Co., c2006. Deere & Company. All rights reserved.

RE517274SPA&RGP5656

KEY	PART NUMBER	QTY	DESCRIPTION	SERIAL NUMBER
1	R516584	1	Bracket	-
2	19M7786	7	Capscrew, M10 x 30 mm	-
3	19M7785	2	Capscrew, M10 x 25 mm	-
4	R516569	1	Strap	-
5	14M7296	3	Flange Nut, M10	-
6	R134010	1	Bushing	-
7	R516574	1	Bracket	-
8	R135423	1	Bushing	-
9	R516508	1	Support Bracket	-
10	19M7801	2	Capscrew, M8 x 60 mm	-
11	34M7061	1	Spring Pin	-

12 Volt 65 Amp Medium Frame Alternator & Mounting

L1066H Early Production



A-10258/ B-8593

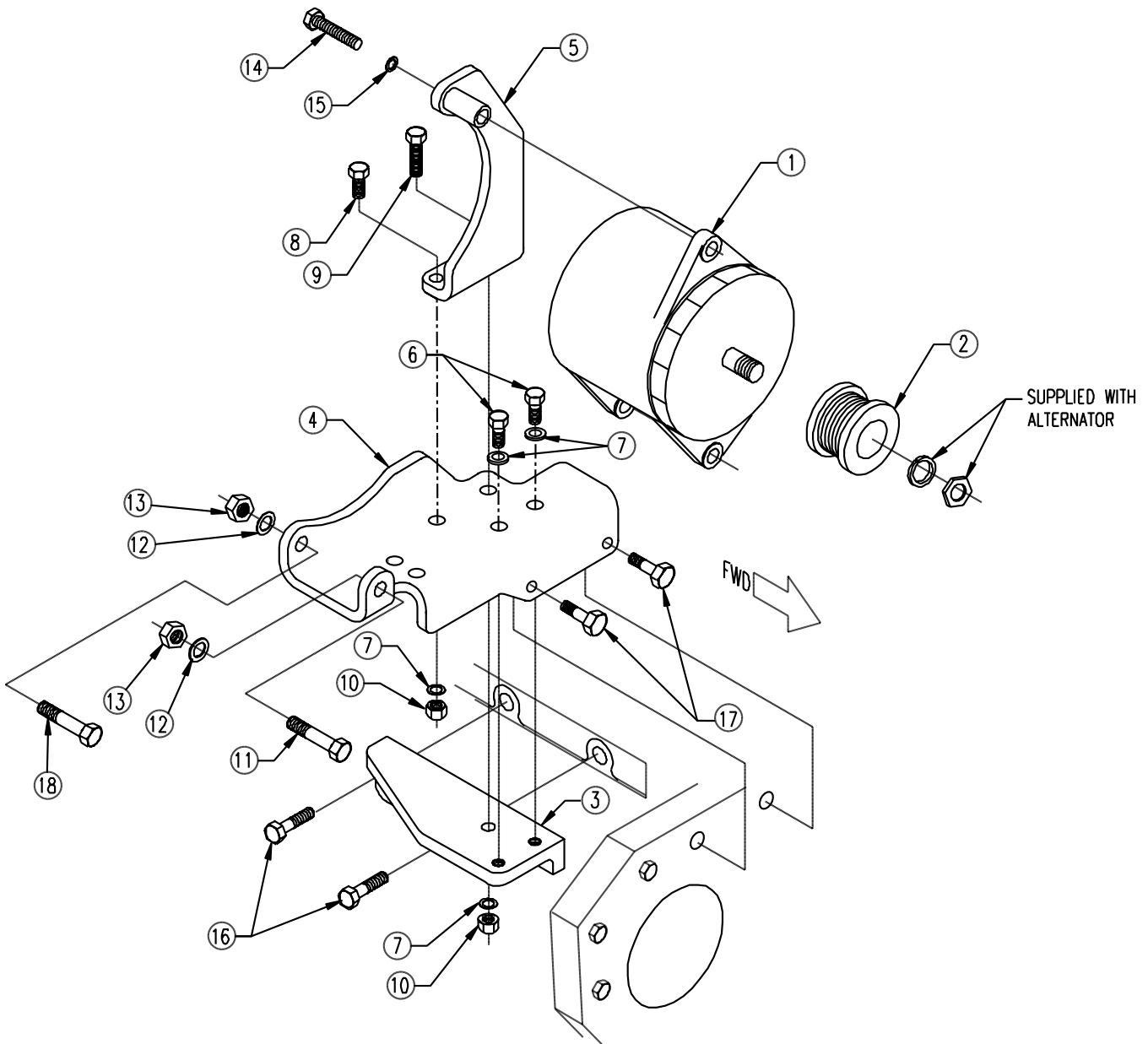
12 Volt 65 Amp Medium Frame Alternator & Mounting

L1066H Early Production

KEY	PART NUMBER	QTY	DESCRIPTION	SERIAL NUMBER
1	AT173624	1	Alternator, 12 Volt 65 amp, Standard Ground (includes keys 13-15)	-
2	23-49511	1	Bracket, Medium Frame Alternator Mounting	-
3	23-49514	1	Bracket, Alternator Mounting	-
4	23-49512	1	Bracket	-
5	23-49513	1	Bracket	-
6	19M7801	1	Capscrew, Hex Head Flanged M8 x 1.25 x 60 mm	-
7	19M7786	10	Capscrew, Hex Head Flanged M10 x 1.5 x 30 mm	-
8	12-80088	1	Capscrew, Hex Head Flanged M10 x 1.5 x 95 mm	-
9	R100377	1	Bushing	-
10	14-80811	6	Hex Nut, Flanged M10 x 1.5	-
11		1	Spacer	-
12	12-80753	1	Capscrew, Hex Head Flanged M8 x 1.25 x 30 mm	-
13	T158584	1	Fan	-
14	R501486	1	Pulley	-
15	R48808	1	Washer	-
16	H144095	1	Capacitor	-
17	H144094	1	Voltage Regulator	-
18	14M7297	1	Nut, M5	-
19	RE505489	1	Wiring Harness	-
			Note: Installed only on units with the following serial #s:	
			0661-2559	
			0661-2704	
			0661-2705	
			0661-2712	

Large Frame Alternators & Mounting

L- M1066T, M99C2, L1066A, and M1066A1, A2, A3



A-8609, A-8610/ C-4545

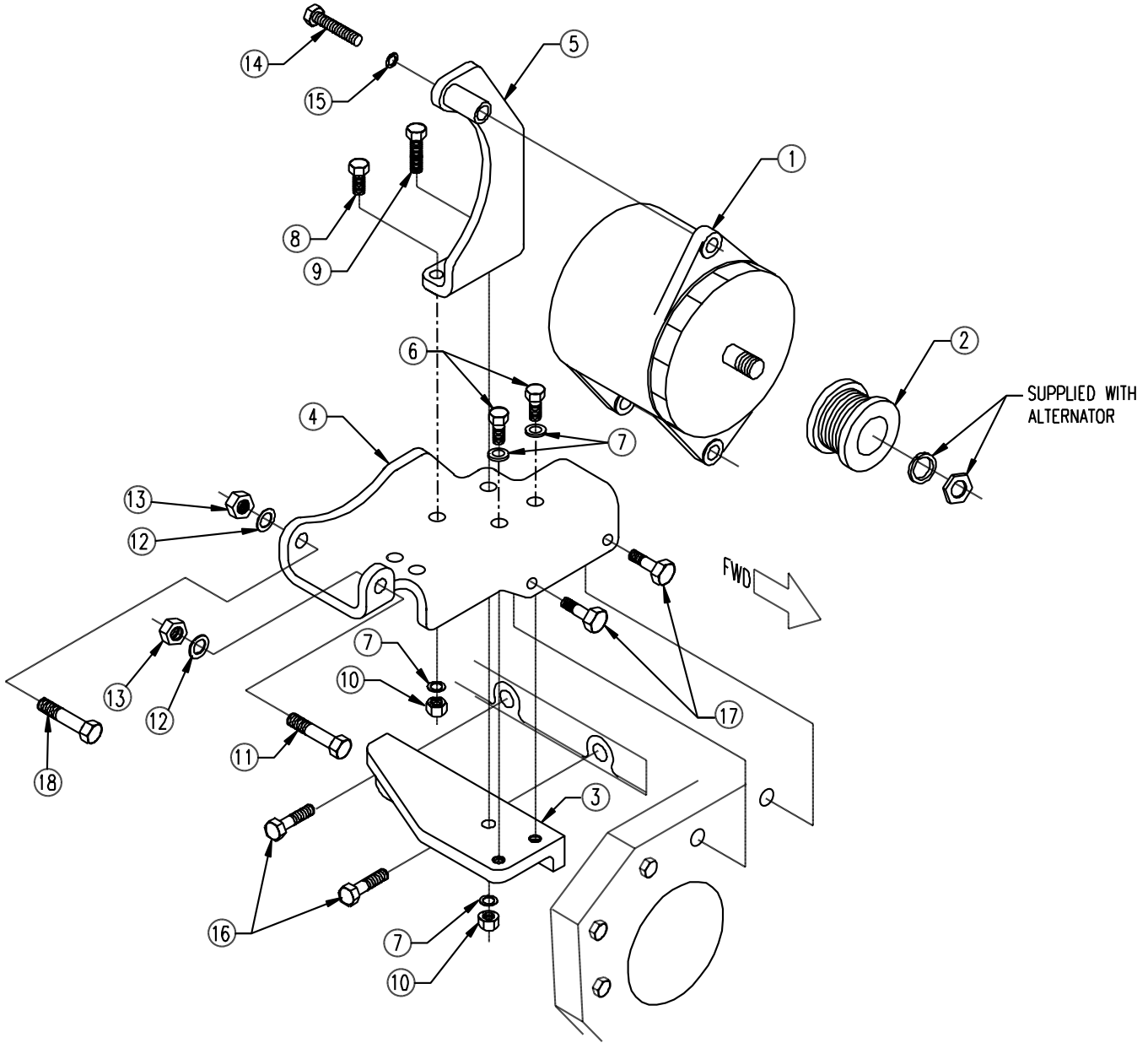
Large Frame Alternators & Mounting

L- M1066T, M99C2, L1066A, and M1066A1, A2, A3

KEY	PART NUMBER	QTY	DESCRIPTION	SERIAL NUMBER
1	22-40282	1	Alternator, 12 Volt 140 Amp Isolated Ground (replaced by 22-40504)	-
	22-40504	1	Alternator, 12 Volt 160 Amp Isolated Ground (supercedes 22-40282)	-
	22-40277	1	Alternator, 24 Volt 75 Amp Isolated Ground	-
2	34-49503	1	8 Groove Pulley, 3-1/4" O.D. x 7/8" I.D.	-
3	23-49502	1	Alternator Support Mounting Bracket	-
4	23-49503	1	Alternator Mounting Bracket	-
5	23-49504	1	Alternator Mounting Bracket	-
6	12-00831	2	Capscrew, Hex Head Flanged, M10 x 1.5 x 25 mm	-
7	15-00802	4	Lock Washer, Helical, M10	-
8	12-00814	1	Capscrew, Hex Head, M10 x 1.5 x 35 mm	-
9	12-00812	1	Capscrew, Hex Head, M10 x 1.5 x 40 mm	-
10	14-00811	2	Hex Nut, M10 x 1.5	-
11	12-00515	1	Capscrew, Hex Head, 1/2 -13 x 1 -3/4"	-
12	15-00504	3	Flat Washer, 1/2" SAE	-
13	14-00512	2	Hex Nut, Nylock 1/2-13	-
14	12-00518	1	Capscrew, Hex Head, 1/2 -13 x 2 -1/2"	-
15	15-00502	1	Lock Washer, Helical 1/2"	-
16	19M7786	**	Capscrew, Hex Head Flanged, M10 x 1.5 x 30 mm	-
17	19M7801	2	Capscrew, Hex Head Flanged, M8 x 1.25 x 60 mm	-
18	12-00516	1	Capscrew, Hex Head 1/2 -13 x 2"	-
			**As required	

Large Frame Alternator & Mounting

L- M1066T, M99C2, L1066A, M1066A1, A2, A3



A-10231 & A-10375/ C-4545

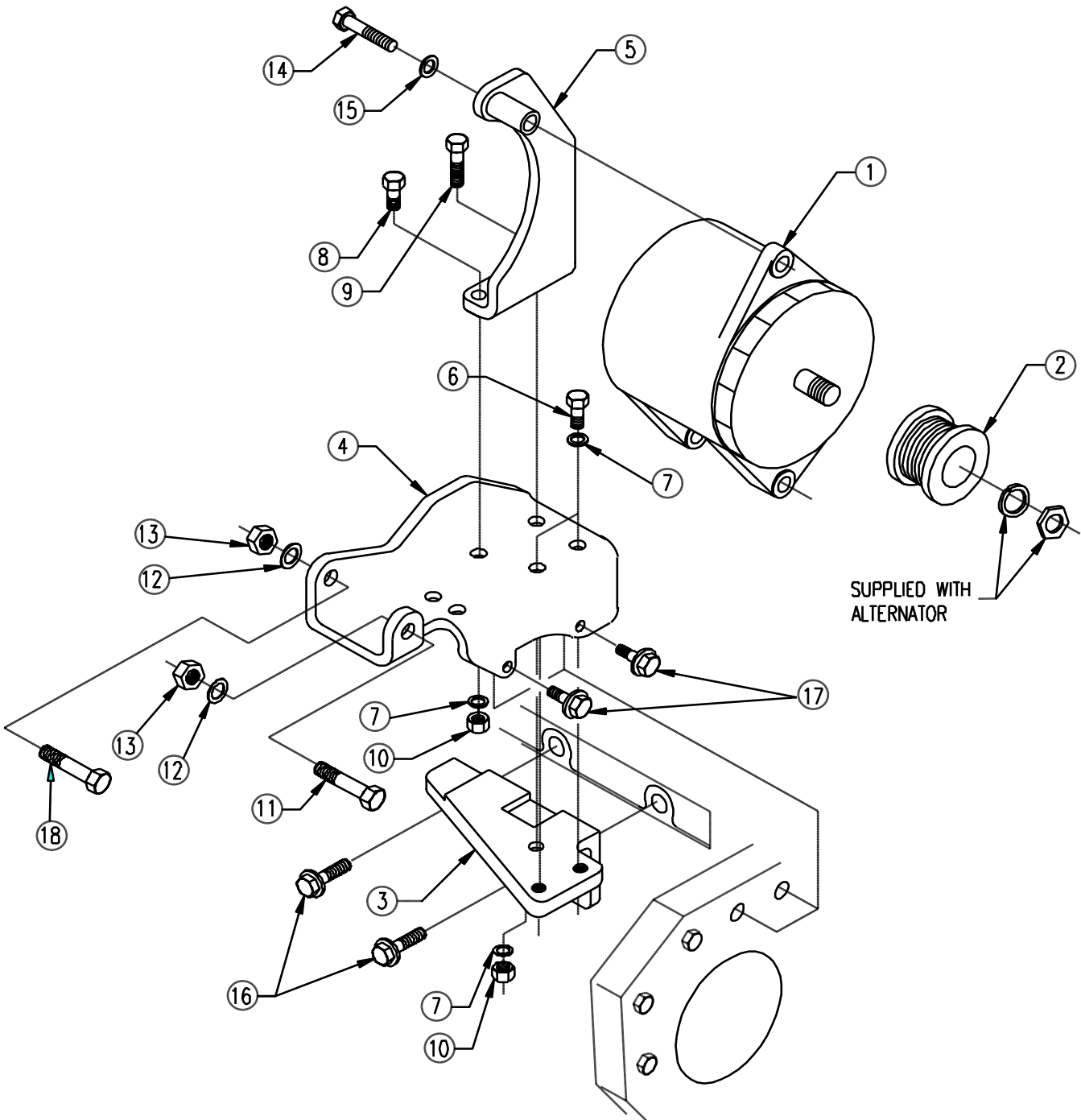
Large Frame Alternator & Mounting

L- M1066T, M99C2, L1066A, M1066A1, A2, A3

KEY	PART NUMBER	QTY	DESCRIPTION	SERIAL NUMBER
1	22-45018	1	Alternator, 24 Volt 100 Amp Isolated Ground	-
	22-40227	1	Alternator, 24 Volt 175 Amp Isolated Ground	-
2	34-40002	1	8 Groove Pulley, 3-1/4" O.D. x 7/8" I.D.	-
3	23-49502	1	Alternator Support Mounting Bracket	-
4	23-49503	1	Alternator Mounting Bracket	-
5	23-49505	1	Alternator Mounting Bracket	-
6	12-00831	2	Capscrew, Hex Head Flanged, M10 x 1.5 x 25 mm	-
7	15-00802	4	Lock Washer, Helical, M10	-
8	12-00814	1	Capscrew, Hex Head, M10 x 1.5 x 35 mm	-
9	12-00812	1	Capscrew, Hex Head, M10 x 1.5 x 40 mm	-
10	14-00811	2	Hex Nut, M10 x 1.5	-
11	12-00515	1	Capscrew, Hex Head, 1/2 -13 x 1 -3/4"	-
12	15-00504	3	Flat Washer, 1/2" SAE	-
13	14-00512	2	Hex Nut, Nylock 1/2 -13	-
14	12-00518	1	Capscrew, Hex Head, 1/2 -13 x 2 -1/2"	-
15	15-00502	1	Lock Washer, Helical 1/2"	-
16	19M7786	**	Capscrew, Hex Head Flanged, M10 x 1.5 x 30 mm (**As required)	-
17	19M7801	2	Capscrew, Hex Head Flanged, M8 x 1.25 x 60 mm	-
18	12-00516	1	Capscrew, Hex Head 1/2 -13 x 2"	-

Large Frame Alternator & Mounting

L- M1066H



A-10389, A-10390/ C-5762

Large Frame Alternator & Mounting

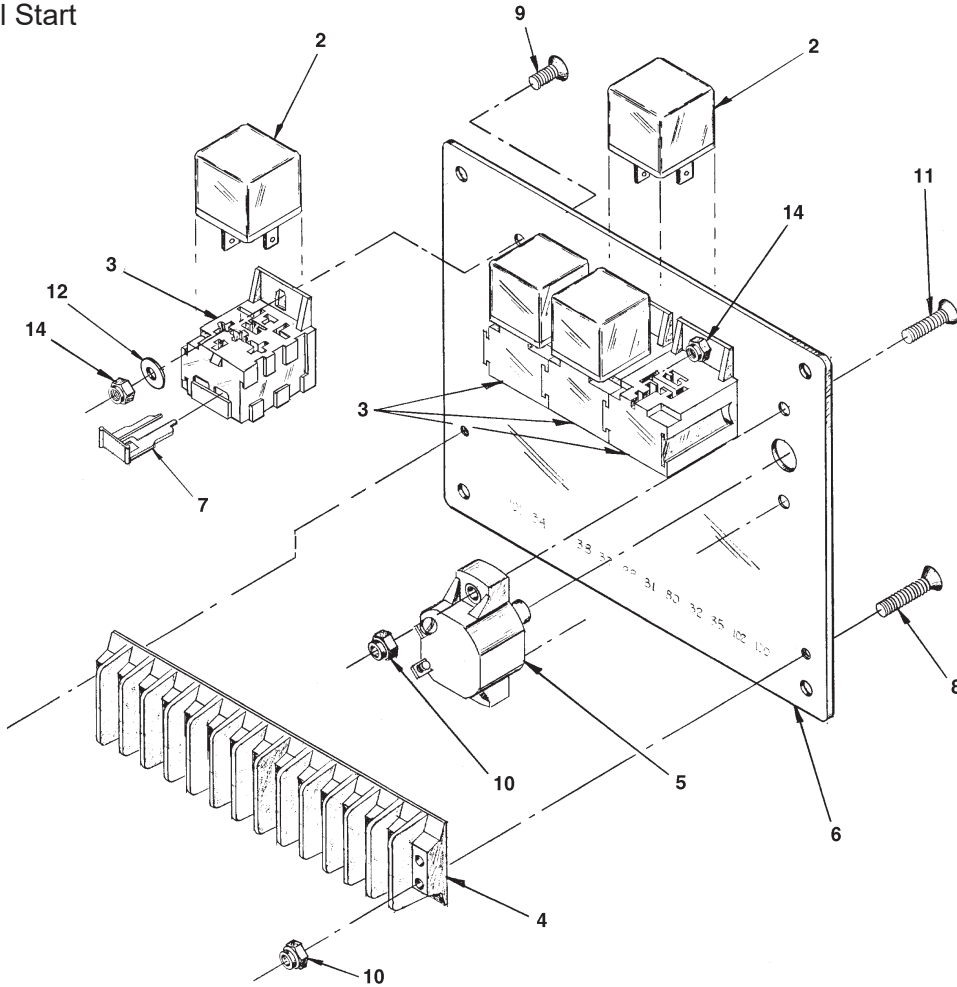
L- M1066H

KEY	PART NUMBER	QTY	DESCRIPTION	SERIAL NUMBER
1	22-40282	1	Alternator, 12 Volt/ 140 Amp Isolated Ground (replaced by 22-40504)	-
	22-40504	1	Alternator, 12 Volt/ 160 Amp Isolated Ground (supercedes 22-40282)	-
	22-40277	1	Alternator, 24 Volt/ 75 Amp Isolated Ground	-
2	34-49503	1	8 Groove Pulley, 3-1/4" O.D. x 7/8" I.D.	-
3	23-49509	1	Alternator Support Mounting Bracket	-
4	23-49510	1	Alternator Mounting Bracket	-
5	23-49508	1	Alternator Mounting Bracket	-
6	12-00831	2	Capscrew, Hex Head Flanged, M10 x 1.5 x 25 mm	-
7	15-00802	4	Lock Washer, Helical, M10	-
8	12-00814	1	Capscrew, Hex Head, M10 x 1.5 x 35 mm	-
9	12-00812	1	Capscrew, Hex Head, M10 x 1.5 x 40 mm	-
10	14-00811	2	Hex Nut, M10 x 1.5	-
11	12-00515	1	Capscrew, Hex Head, 1/2 -13 x 1 -3/4"	-
12	15-00504	3	Flat Washer, 1/2" SAE	-
13	14-00512	2	Hex Nut, Nylock 1/2 -13	-
14	12-00518	1	Capscrew, Hex Head, 1/2 -13 x 2 -1/2"	-
15	15-00502	1	Lock Washer, Helical 1/2"	-
16	19M7786	2	Capscrew, Hex Head Flanged, M10 x 1.5 x 30 mm	-
17	19M7801	2	Capscrew, Hex Head Flanged, M8 x 1.25 x 60 mm	-
18	12-00516	1	Capscrew, Hex Head 1/2 -13 x 2"	-

GROUP 5 - ELECTRICAL SYSTEM

12 & 24 Volt Relay Logic Board

Manual Start

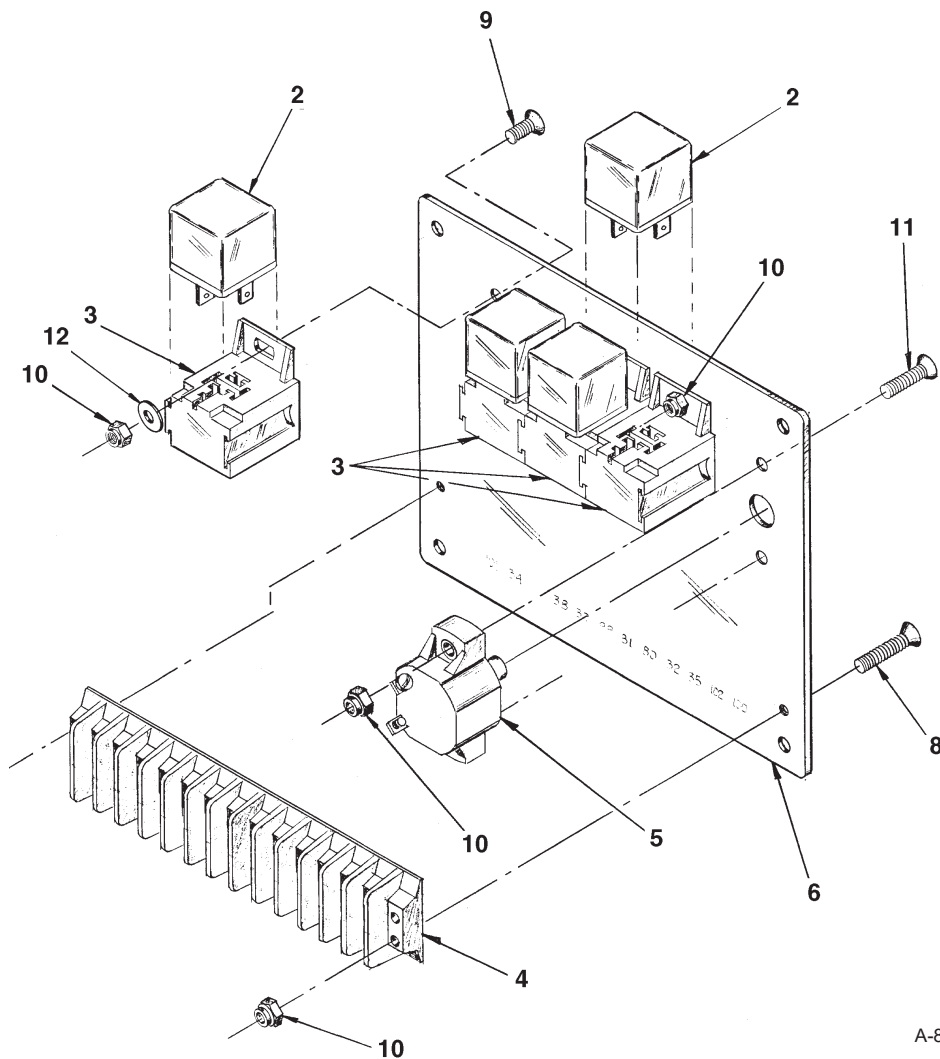


A-8851, A-8852, A-8854, A-8855/ C-2041C

KEY	PART NUMBER	QTY	DESCRIPTION	SERIAL NUMBER
••	22-70083	1	12V Relay Logic Board, Manual Start (Includes all keys)	-
••	22-70084	1	24V Relay Logic Board, Manual Start (Includes all keys)	-
1	22-41060	2	6 amp Diode (not shown)	-
2	22-42047	4	12V Relay SPDT	-
	22-40085	4	24V Relay SPDT	-
3	22-40391	4	Relay Base	-
	22-40393	4	Clip	-
4	22-40193	1	12 Connection Terminal Board, 600 VAC	-
5	22-40018	1	10 amp Circuit Breaker	-
6	28-40001	1	Relay Board Mounting Plate- Manual Start	-
7	22-40393	4	Terminal Retainer Clip	-
8	12-00083	2	Machine Screw, Flat Head Countersunk #8-32 x 3/4"	-
9	12-00082	4	Machine Screw, Flat Head Countersunk #8-32 x 3/8"	-
10	14-00003	2	Hex Nut, Nylock, #8 x 32	-
11	12-40225	2	Machine Screw, Flat Head Countersunk, #8-32 x 7/8"	-
12	15-00001	4	Flat Washer, #8	-
13	22-40347	1	Wire Harness, Manual Start (not shown)	-
14	14-00000	4	Hex Nut #8- 32	-

12 & 24 Volt Relay Logic Board

Autostart



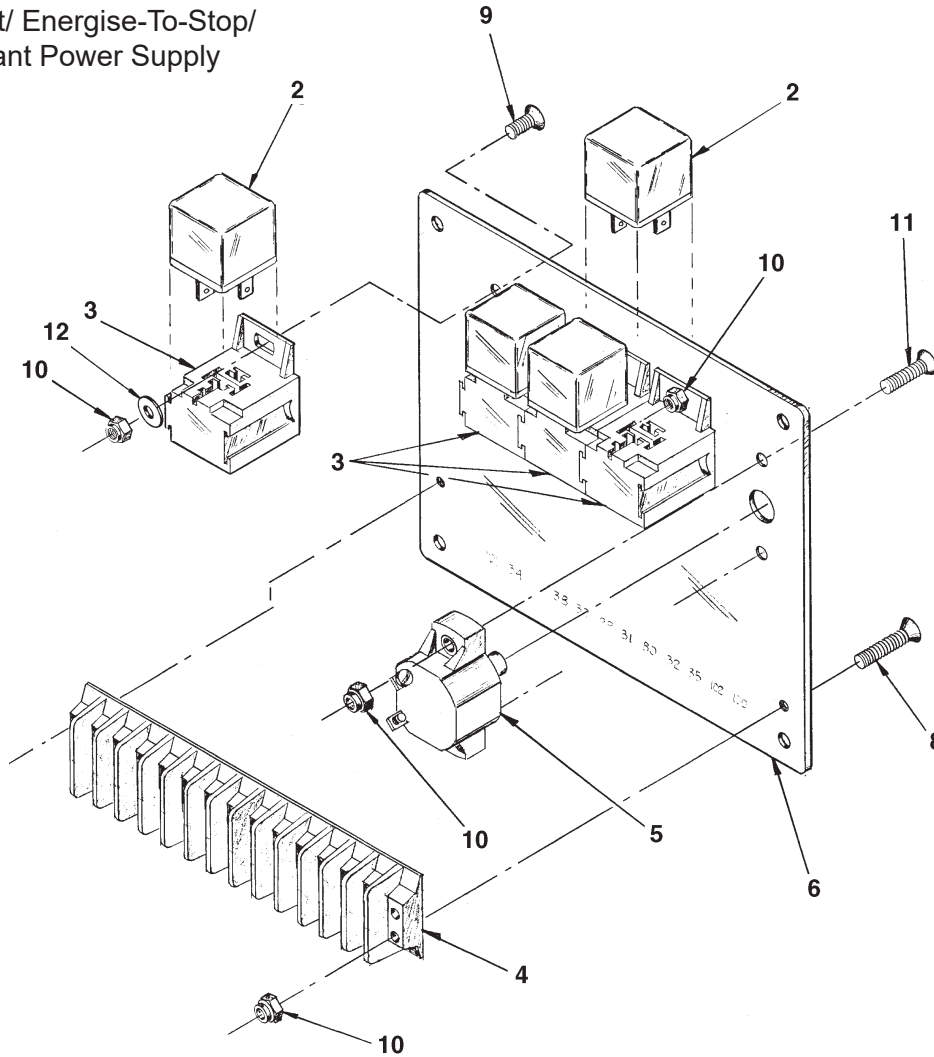
A-8854, A-8855/ C-2041

KEY	PART NUMBER	QTY	DESCRIPTION	SERIAL NUMBER
••	22-70086	1	12V Relay Logic Board, Autostart (Includes all keys)	-
••	22-70087	1	24V Relay Logic Board, Autostart (Includes all keys)	-
2	22-42047	4	12V Relay SPDT	-
	22-40085	4	24V Relay SPDT	-
3	22-40391	4	Relay Base	-
4	22-40193	1	12 Connection Terminal Board, 600 VAC	-
5	22-40018	1	10 amp Circuit Breaker	-
6	28-90018	1	Relay Board Mounting Plate	-
7	22-40393	4	Terminal Retainer Clip (not shown)	-
8	12-00083	2	Machine Screw, Flat Head Countersunk #8-32 x 3/4"	-
9	12-00082	4	Machine Screw, Flat Head Countersunk #8-32 x 3/8"	-
10	14-00003	4	Hex Nut, Nylock, #8 x 32	-
11	12-40225	2	Machine Screw, Flat Head Countersunk, #8-32 x 7/8"	-
12	15-00001	4	Flat Washer, #8	-
13	22-40392	1	Wire Harness, Autostart (not shown)	-
14	14-00000	4	Hex Nut #8- 32	-

GROUP 5 - ELECTRICAL SYSTEMS

12 & 24 Volt Relay Logic Board

Autostart/ Energise-To-Stop/
Redundant Power Supply

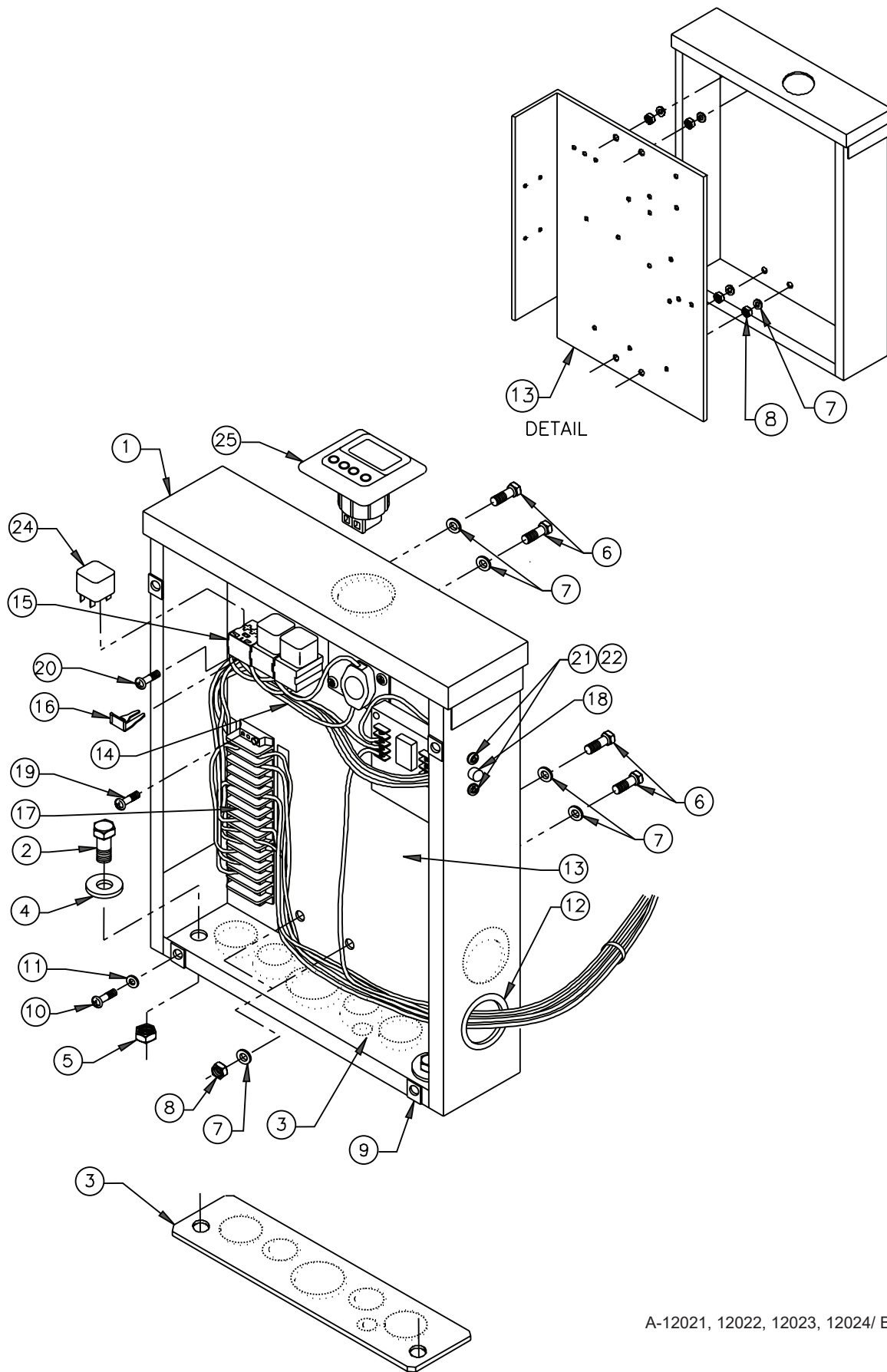


A-11644, A-11645/ C-2041

KEY	PART NUMBER	QTY	DESCRIPTION	SERIAL NUMBER
••	22-70093	1	12V Relay Logic Board, Autostart (Includes all keys)	-
••	22-70094	1	24V Relay Logic Board, Autostart (Includes all keys)	-
1	22-00089	1	Number Strip (not shown)	-
2	22-42047	3	12V Relay SPDT	-
	22-40085	3	24V Relay SPDT	-
3	22-40391	3	Relay Base	-
4	22-40193	1	12 Connection Terminal Board, 600 VAC	-
5	22-40018	1	10 amp Circuit Breaker	-
6	28-40001	1	Relay Board Mounting Plate	-
7	22-40393	3	Terminal Retainer Clip (not shown)	-
8	12-00083	2	Machine Screw, Flat Head Countersunk #8-32 x 3/4"	-
9	12-00082	3	Machine Screw, Flat Head Countersunk #8-32 x 3/8"	-
10	14-00003	3	Hex Nut, Nylock, #8 x 32	-
11	12-40225	2	Machine Screw, Flat Head Countersunk, #8-32 x 7/8"	-
12	15-00001	4	Flat Washer, #8	-
13	22-40420	1	Wire Harness, Autostart (not shown)	-
14	14-00000	3	Hex Nut #8- 32	-

GROUP 5 – ELECTRICAL SYSTEM

NEMA 3R DC Electrical Enclosure & Relay Panel



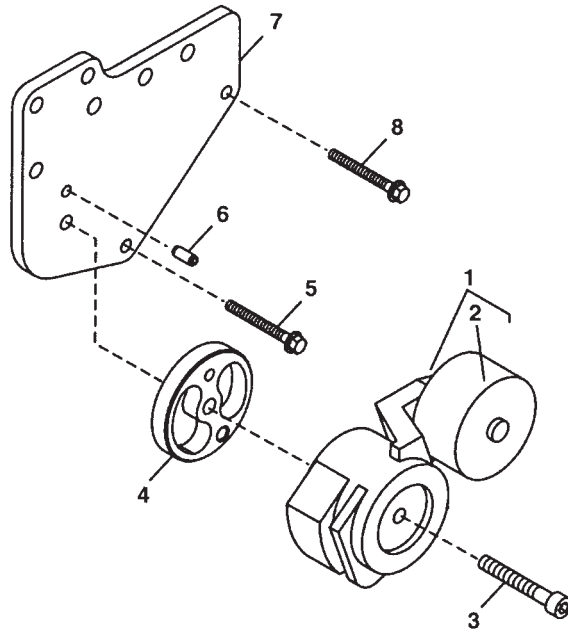
A-12021, 12022, 12023, 12024/ B-9556

NEMA 3R DC Electrical Enclosure & Relay Panel

KEY	PART NUMBER	QTY	DESCRIPTION	SERIAL NUMBER
••	22-70183	1	Relay Panel Assembly, Manual Start (includes keys #13-23)	-
••	22-70186	1	Relay Panel Assembly, Autostart (includes keys #13-23)	-
••	22-70193	1	Relay Panel Assembly, Energise-to-stop & Redundant Power Supply (includes keys #13-23)	-
1	39-40047	1	Enclosure, NEMA 3R (former # 39-42036)	-
	28-40048	1	Cover	-
2	12-00832	2	Capscrew, Hex Head M10 x 1.5 x 30 mm	-
3	28-49502	1	Plate, D.C. Enclosure Mtg.	-
4	15-00014	2	Head/ Tail Washer	-
5	14-00812	2	Hex Nut, Nylock M10 x 1.5 Class 8	-
6	12-01131	4	Capscrew, Hex Head M6 x 1.0 x 20 mm	-
7	15-00008	**	Flat Washer M6	-
8	14-04803	8	Hex Nut, Nylock M6 x 1.0 Class 8	-
9	00-49503	4	Receptacle, Screw Retainer	-
10	12-72006	4	Sheet Metal Screw, Truss Head Phillips #10	-
11	15-00036	**	Flat Washer #10 Nylon	-
12	00-73109	2	Grommet 1-1/2" ID x 2-1/8" OD	-
13	28-49501	1	Back Plane	-
14	22-99537	1	Harness Assembly, Manual Start (includes key #23)	-
	22-99538	1	Harness Assembly, Autostart	-
	22-99539	1	Harness Assembly, Autostart with Redundant Power Supply	-
15	22-40391	3	Relay Base (without retainer)	-
16	22-40393	3	Terminal Retainer	-
17	22-41069	1	Terminal Strip	-
18	22-40018	1	Circuit Breaker	-
19	12-00005	4	Machine Screw, Phillips #8-32 x 3/4" S/S	-
20	12-00004	2	Machine Screw, Phillips #8-32 x 3/8" S/S	-
21	12-42105	2	Machine Screw, Phillips #8-32 x 7/8" S/S	-
22	15-00001	2	Flat Washer #8	-
23	22-41060	4	Diode 6 Amp (for use with Harness 22-99537)	-
24	22-42047	**	Relay 12 Volt	-
	22-40085	**	Relay 24 Volt	-
			**As required	
			Optional	
25	37-90086	1	Powerview Module	-
26	22-99506	1	Wire Harness (not shown)	-

GROUP 5 - ELECTRICAL SYSTEMS

Drive Belt Tensioner

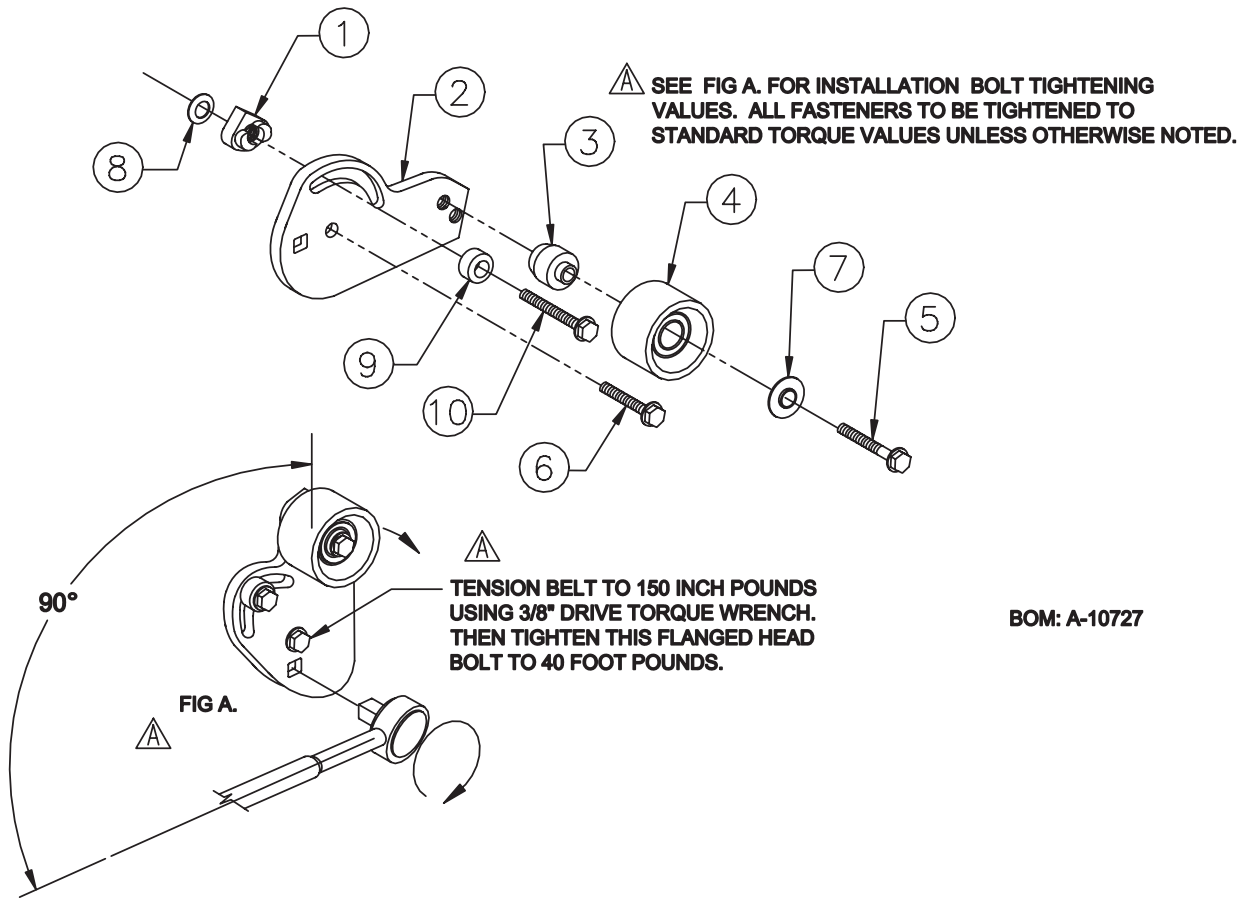


Reproduced by permission of Deere & Co., c2006. Deere & Company. All rights reserved.

RGP5656

KEY	PART NUMBER	QTY	DESCRIPTION	SERIAL NUMBER
1	RE518097	1	Tensioner (supercedes RE70536)*	-
	R70536	1	Tensioner (replaced by RE518097)*	-
2	R503813	1	Bolt	-
	RE505264	1	Idler	-
3	19M7811	1	Screw, M10 x 90 mm (use with RE518097)	-
	19M8131	1	Screw, M10 x 70 mm (use with RE70536)	-
4	R518210	1	Spacer (Marine - use with RE518097)	-
	R516623	1	Spacer (Industrial - use with RE518097)	-
	R500321	1	Spacer (Industrial - use with RE70536)	-
5	19M7801	1	Screw	-
6	34M7061	1	Spring Pin	-
7	R132168	1	Support Bracket (NL1066T - H1- H2- H3)	-
	R516508	1	Support Bracket (NL1066H4)	-
8	19M7801	1	Screw	-
<p>* Requires spacer R518210 & screw 19M7811 when replacing earlier tensioner</p>				

Manual Drive Belt Tensioner

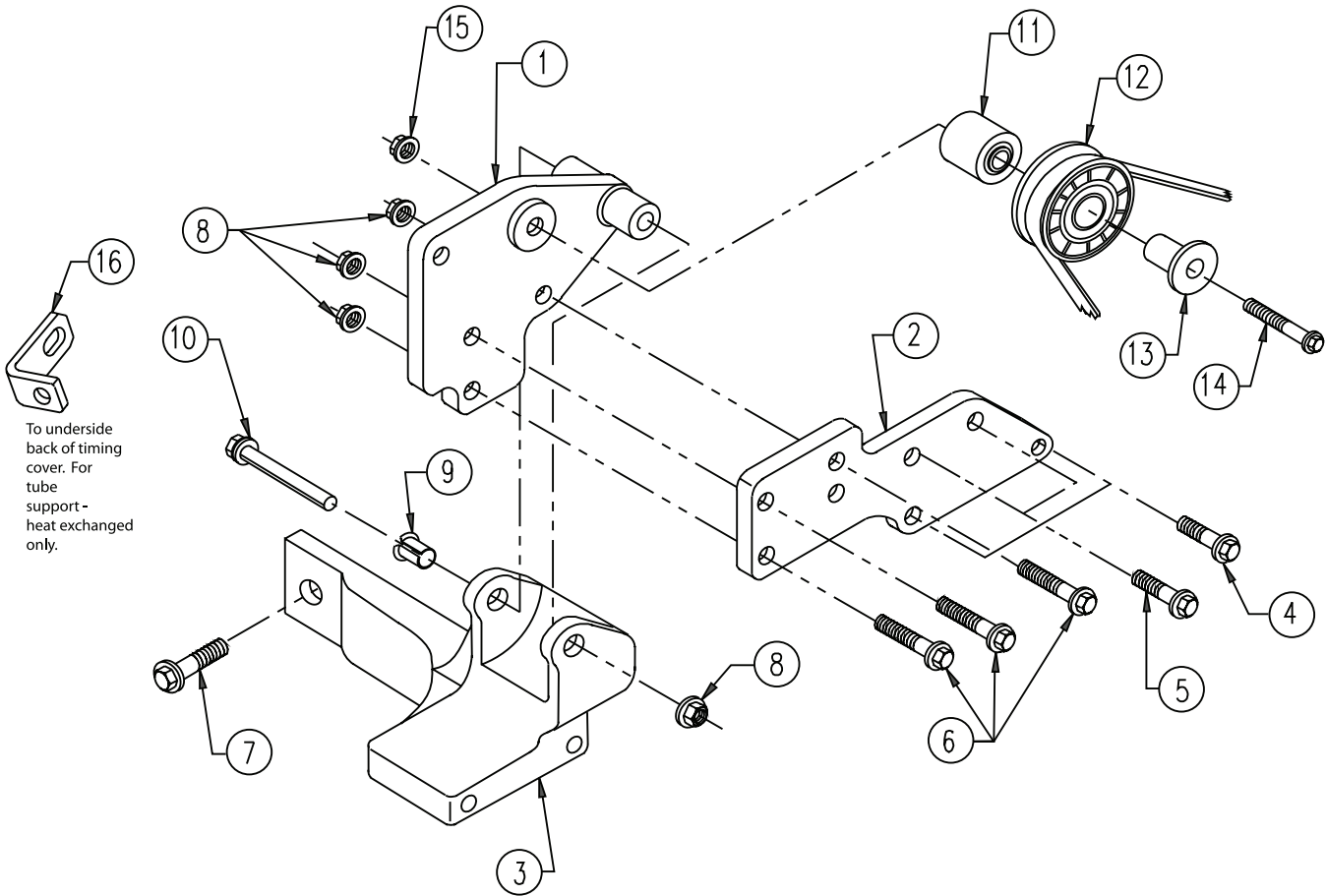


BOM: A-10727

A-10727/ B-9664A

KEY	PART NUMBER	QTY	DESCRIPTION	SERIAL NUMBER
••	34-09505	1	Manual Belt Tensioner Assembly (includes all keys)	-
1	R500710	1	Nut	-
2	23-49506	1	Bracket	-
3	R518518	1	Spacer*	-
4	RE518988	1	Idler Pulley (Single Bearing)	-
5	19M7805	1	Screw, M10 x 45 mm*	-
6	19M7785	1	Screw, M10 x 25 mm	-
7	R517324	1	Cover*	-
8	15-00701	1	Flat Washer M8	-
9	15-00708	1	Stud Washer M8	-
10	12-00754	1	Capscrew, Hex Head M8 x 1.25 x 85 mm	-
	19M7785	2	Screw, M10 x 25 mm (1066T, A1, A2, A3)	-
			} 1066H	
			Note: Items listed replace spacer R501466, Two Bearing Pulley RE505264, Sleeve R502079, and Capscrew 19M8528.	

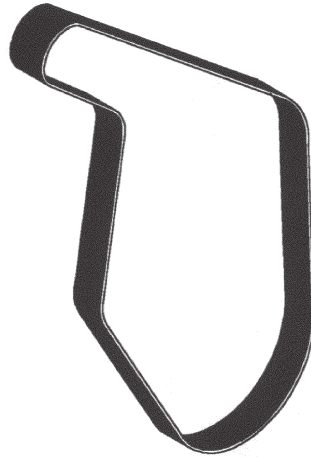
Idler Pulley & Mounting



A-9878/ B-9398

KEY	PART NUMBER	QTY	DESCRIPTION	SERIAL NUMBER
1	23-79501	1	Bracket, Idler Mtg.	-
2	R132913	1	Support	-
3	R132166	1	Alternator Mounting Bracket	-
4	19M7801	2	Capscrew, Hex Head Flanged M8 x 1.25 x 60 mm	-
5	19M7785	2	Capscrew, Hex Head Flanged M10 x 1.5 x 25 mm	-
6	19M7835	3	Capscrew, Hex Head Flanged M10 x 1.5 x 35 mm	-
7	12-80832	2	Capscrew, Hex Head Flanged M10 x 1.5 x 30 mm	-
8	14-80811	4	Hex Nut, Flanged M10x 1.5	-
9	R100377	1	Bushing	-
10	12-80088	1	Capscrew, Hex Head Flanged M10 x 1.5 x 95 mm	-
11	R133643	1	Spacer	-
12	AT211041	1	Pulley, Poly-V	-
13	R502079	1	Sleeve	-
14	19M7812	1	Capscrew, Hex Head Flanged M10 x 1.5 x 100 mm	-
15	14-00812	1	Hex Nut, Nylock M10 x 1.5	-
16	23-71105	1	Bracket, Belt Guard Mtg., Side	-

Drive Belt Applications



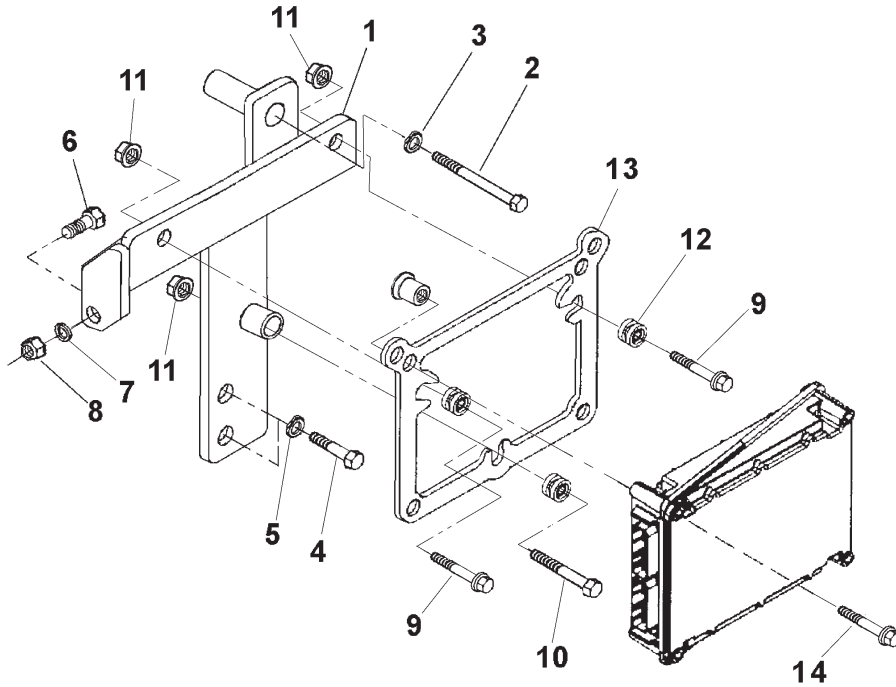
Reproduced by permission of Deere & Co., c2006. Deere & Company. All rights reserved.

RGP6132

KEY	PART NUMBER	QTY	DESCRIPTION
			Standard or Optional Medium Frame Size Alternators 12V/ 65 Amp & 24V/ 45 Amp
	R123438	1	Drive Belt, L- M1066T, M99C2, L1066A, M1066A1, A2, A3 (formerly # R123437)
	R123437	1	L1066H Early Production*
	R123308	1	Drive Belt, L1066H Late Production and M1066H all
	R123454	1	Drive Belt, NL1066T
	R123451	1	Drive Belt, NL1066H1, H2, H3
	R123436	1	Drive Belt, NL1066H4
			Optional Large Frame Size Alternators - 12V/ 130 Amp, 24V/ 75 Amp, 24V/ 100 Amp
	R123457	1	Drive Belt, L- M1066T, L1066A, M1066A1, A2, A3, L- M1066H
			Notes: ADE supplies an additional spare belt on units equipped with front power take-off. Contact dealer or factory for belts on custom engineered accessories (unit serial number required). *Early Production serial numbers: 0661-2559 0661-2704 0661-2705 0661-2712

Engine Control Unit

L1066H



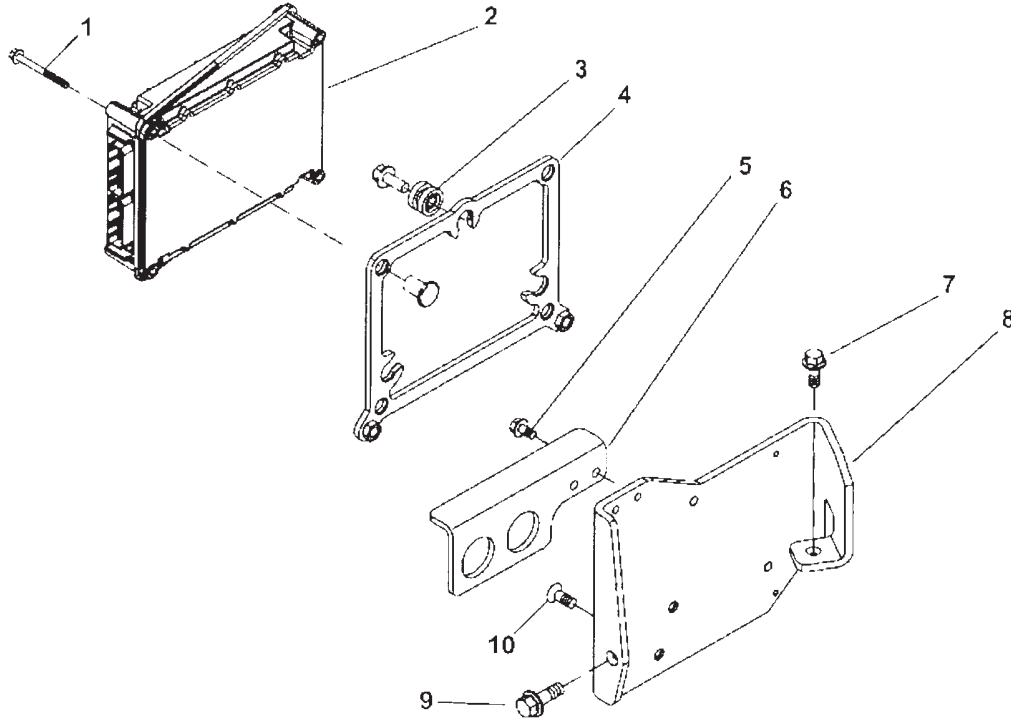
Reproduced by permission of Deere & Co., c2007. Deere & Company. All rights reserved.

RGP9103prop

KEY	PART NUMBER	QTY	DESCRIPTION	SERIAL NUMBER
1	23-59607	1	Bracket, Engine Control Unit	-
2	12-00837	1	Capscrew, Hex Head M10 x 1.5 x 150 mm	-
3	15-00804	1	Wave Washer, M10	-
4	12-00953	2	Capscrew, Hex Head M12 x 1.75 x 30 mm	-
5	15-00904	2	Wave Washer, M12	-
6	12-00712	1	Capscrew, Hex Head M8 x 1.25 x 25 mm	-
7	15-00702	1	Lock Washer, Helical M8	-
8	14-00711	1	Hex Nut, M8 x 1.25	-
9	19M8162	2	Capscrew, Hex Head Flanged M10 x 1.5 x 40 mm	-
10	12-00843	1	Capscrew, Hex Head M10 x 1.5 x 65 mm	-
11	14-00808	3	Lock Nut, Flanged M10 x 1.5	-
12	R500488	3	Grommet	-
13	RE500588	1	Bracket	-
14	19M8804	4	Capscrew, Hex Head Flanged M6 x 1.0 x 65 mm	-

Engine Control Unit

NL1066

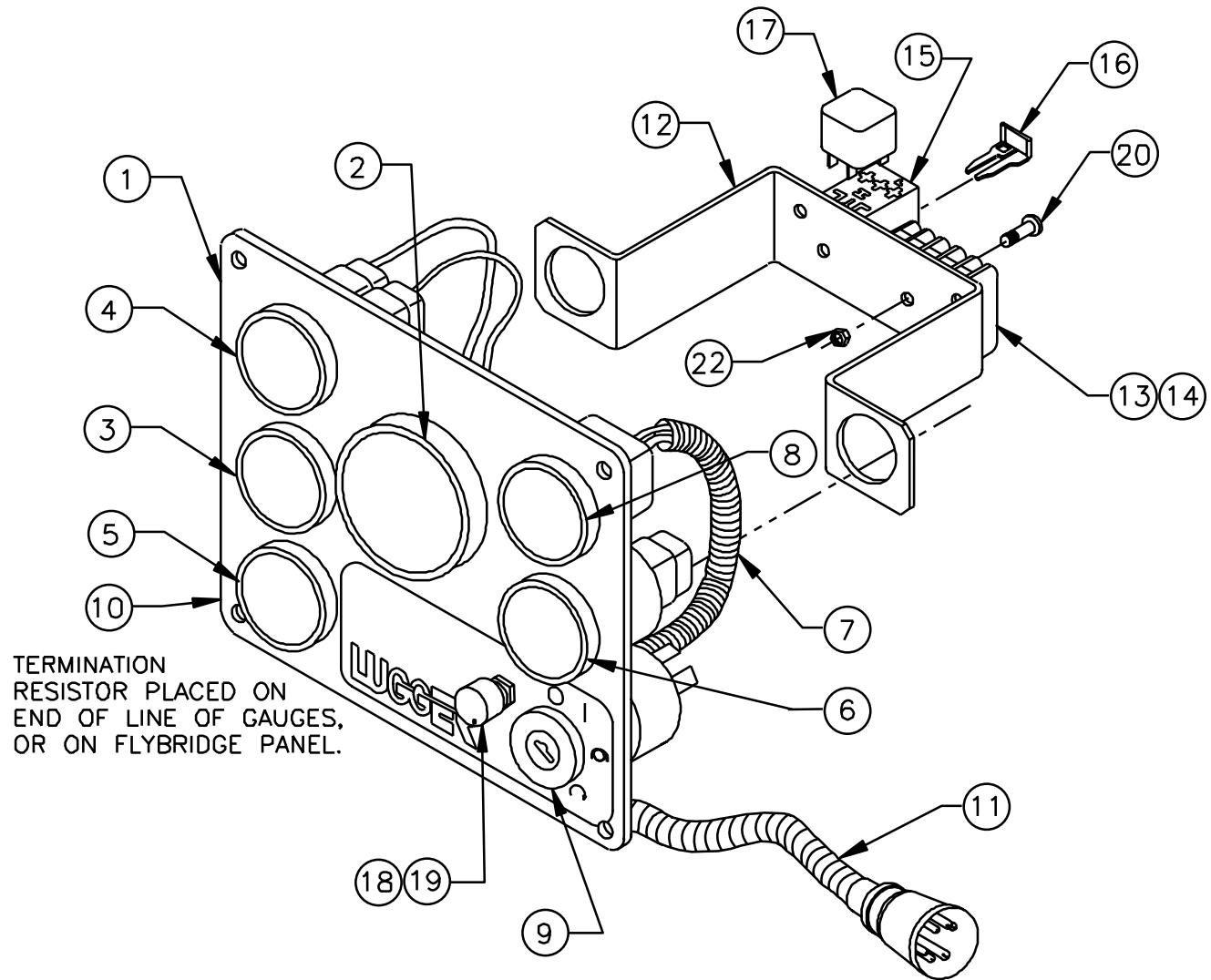


Reproduced by permission of Deere & Co., c2007. Deere & Company. All rights reserved.

RGP9103

KEY	PART NUMBER	QTY	DESCRIPTION	SERIAL NUMBER
1	19M8804	4	Screw, M6 x 65	-
2	RE522510	1	Engine Controller	-
3	R500488	3	Isolator	-
4	RE500588	1	Bracket	-
5	19M7865	2	Screw, M8 x 16	-
6	R516658	1	Bracket	-
8	R516303	1	Bracket	-
9	19M7790	1	Screw, M12 x 35	-
10	19M8551	2	Screw, M10 x 25	-

Main Instrument Panel 12 & 24 Volt

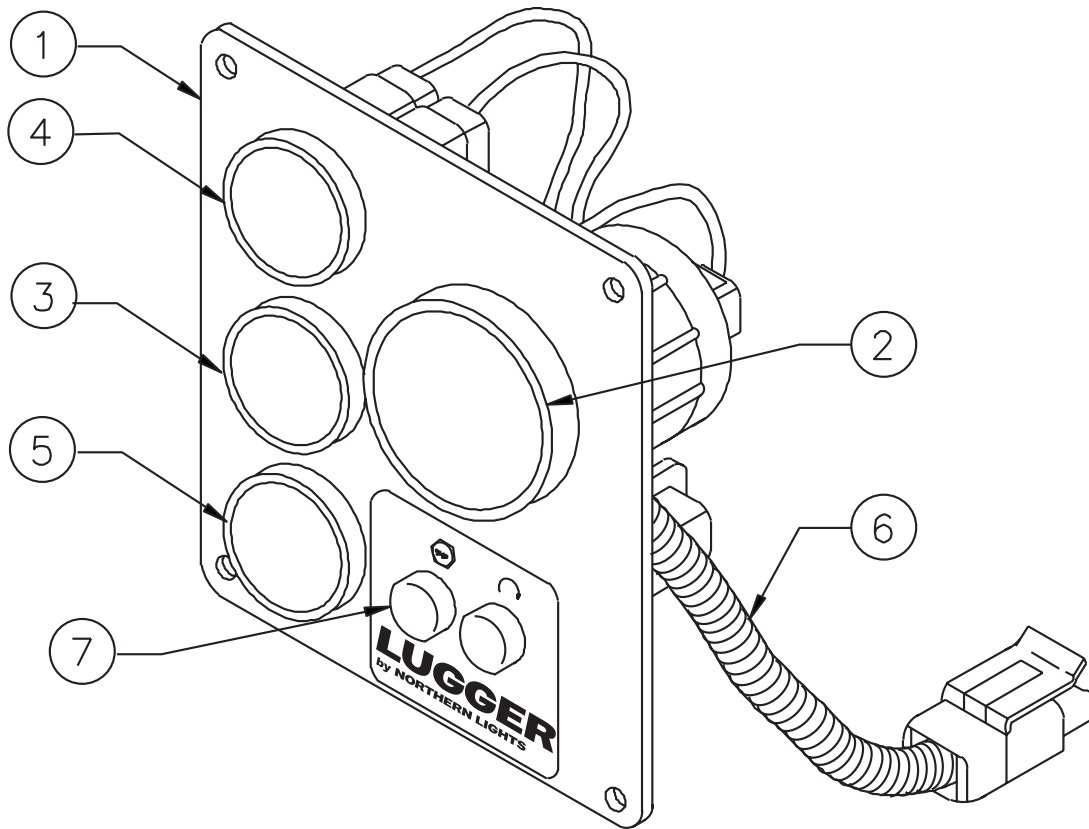


A-10523B, A-10466C/ B-8512

Main Instrument Panel 12 & 24 Volt

KEY	PART NUMBER	QTY	DESCRIPTION	SERIAL NUMBER
••	22-99706	1	Main Instrument Panel Kit, 12 Volt (includes all keys)*	-
••	22-99701	1	Main Instrument Panel Kit, 24 Volt (includes all keys)*	-
••	22-99716	1	Main Instrument Panel Kit, 12 Volt (includes all keys)**	-
••	22-99711	1	Main Instrument Panel Kit, 24 Volt (includes all keys)**	-
1	28-90026	1	Panel Plate	-
2	37-90087	1	Tachometer, 0-3000 RPM	-
3	37-90089	1	Temperature Gauge, 250°F	-
4	37-90091	1	Pressure Gauge, 0-100 PSI	-
5	37-90093	1	Alarm Horn	-
6	37-90099	1	Voltmeter, 8-18 VDC	-
	37-90095	1	Voltmeter, 16-36 VDC	-
7	PVW-J-9	4	Jumper Assembly 9"	-
8	37-90096	1	Hourmeter	-
9	37-94803	1	Key Switch 5 Position	-
10	PVJR	1	Termination Resistor	-
11	22-99708	1	Wire Harness Assembly (22-99701 & 22-99706)	-
	22-99709	1	Wire Harness Assembly (22-99711 & 22-99716)	-
12	23-99504	1	Bracket, Terminal Strip & Relay Base	-
13	22-40498	1	Terminal Strip	-
14	22-00088	1	Number Strip	-
15	22-40391	1	Relay Base	-
16	22-40393	1	Terminal Retainer	-
17	22-42047	1	Relay, 12 VDC	-
	22-40085	1	Relay, 24 VDC	-
18	37-40024	1	Potentiometer 1k OHM 2 Watt	-
19	37-40026	1	Aluminum Knob	-
20	12-00005	2	Machine Screw, BH Slotted #8-32 x 3/4"	-
21	12-42404	1	Machine Screw, Truss Head Phillips #8-32 x 3/4" (not shown)	-
22	14-00003	3	Hex Nut, Nylock	-
23	00-00013	1	Label "12 Volt" (not shown)	-
	00-00014	1	Label "24 Volt" (not shown)	-
24	37-90086	1	Powerview Module (not shown)	-
			* Used on applications with Interconnect Harness 22-49551 and Powerview module in engine room.	
			**Used on applications with Interconnect Harness 22-49552 and Powerview module connection at Main Panel.	

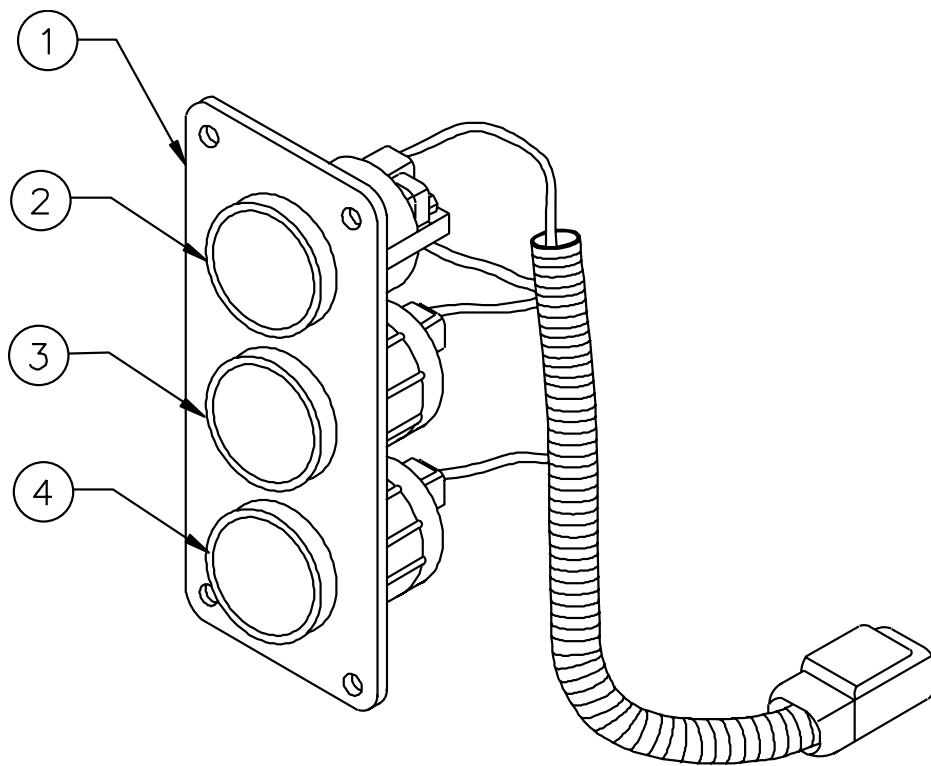
Flybridge Panel 12 & 24 Volt



A-10467B/ B-8706

KEY	PART NUMBER	QTY	DESCRIPTION	SERIAL NUMBER
••	22-99702	1	Flybridge Panel Kit, 12 and 24 Volt (includes all keys)	-
1	28-90027	1	Panel Plate	-
2	37-90088	1	Tachometer, 0-3000 RPM	-
3	37-90090	1	Temperature Gauge, 250°F	-
4	37-90092	1	Pressure Gauge, 0-100 PSI	-
5	37-90094	1	Alarm Horn	-
6	PVW-J-9	3	Jumper Assembly 9"	-
7	37-91007	2	Switch, Push Button	-

Auxiliary Panel 12 & 24 Volt



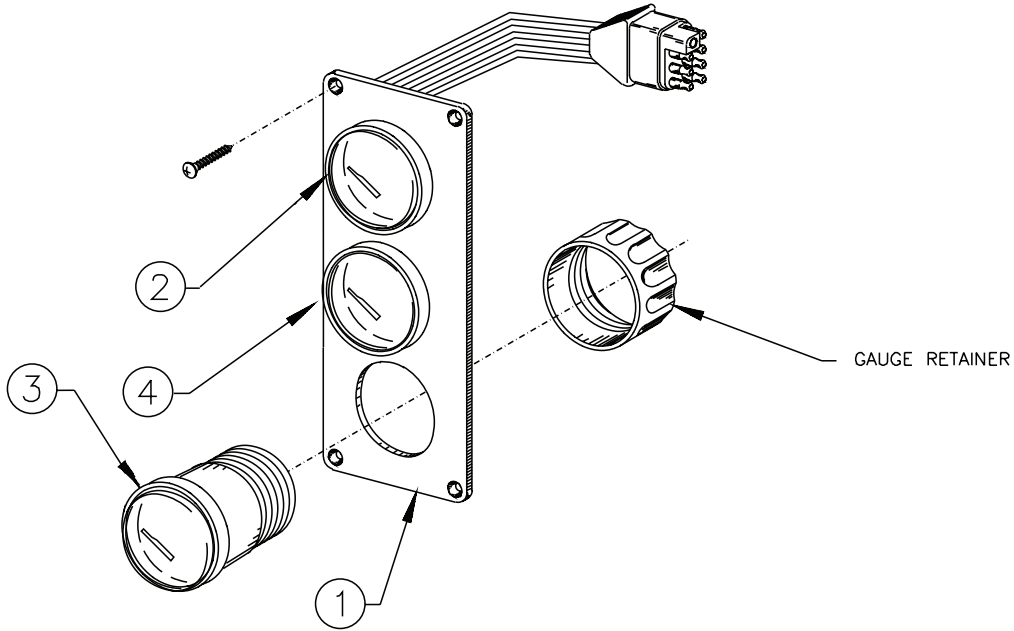
A-10524, A-10468/ B-8705

KEY	PART NUMBER	QTY	DESCRIPTION	SERIAL NUMBER
•	22-99705	1	Auxiliary Panel Kit	-
••	22-99707	1	Auxiliary Panel Kit, 12 Volt (includes all keys)	-
••	22-99703	1	Auxiliary Panel Kit, 24 Volt (includes all keys)	-
1	28-74801	1	Panel Plate	-
2	37-90016	1	Pyrometer Assembly 180°F (100°C)	-
3	37-90101	1	Pressure Gauge, 0-80 PSI, 12 Volt	-
	37-90098	1	Pressure Gauge, 0-80 PSI, 24 Volt	-
4	37-90100	1	Gear Pressure Gauge, 0-400 PSI, 12 Volt	-
	37-90097	1	Gear Pressure Gauge, 0-400 PSI, 24 Volt	-
5	22-40272	1	Bulb, 12 Volt	-
	22-40286	1	Bulb, 24 Volt	-
6	22-40325	1	Diffuser, Green 12 & 24 Volt	-
7	ES2P-80	1	Sender 80 PSI (not shown)	-
8	ES2PMK-400	1	Sender 400 PSI (not shown)	-
9	21-55201	1	Bushing 3/8 NPT x 1/8 NPT (not shown)	-

GROUP 5 - ELECTRICAL SYSTEMS

Auxiliary Panel "Ocean Line" 12 & 24 Volt

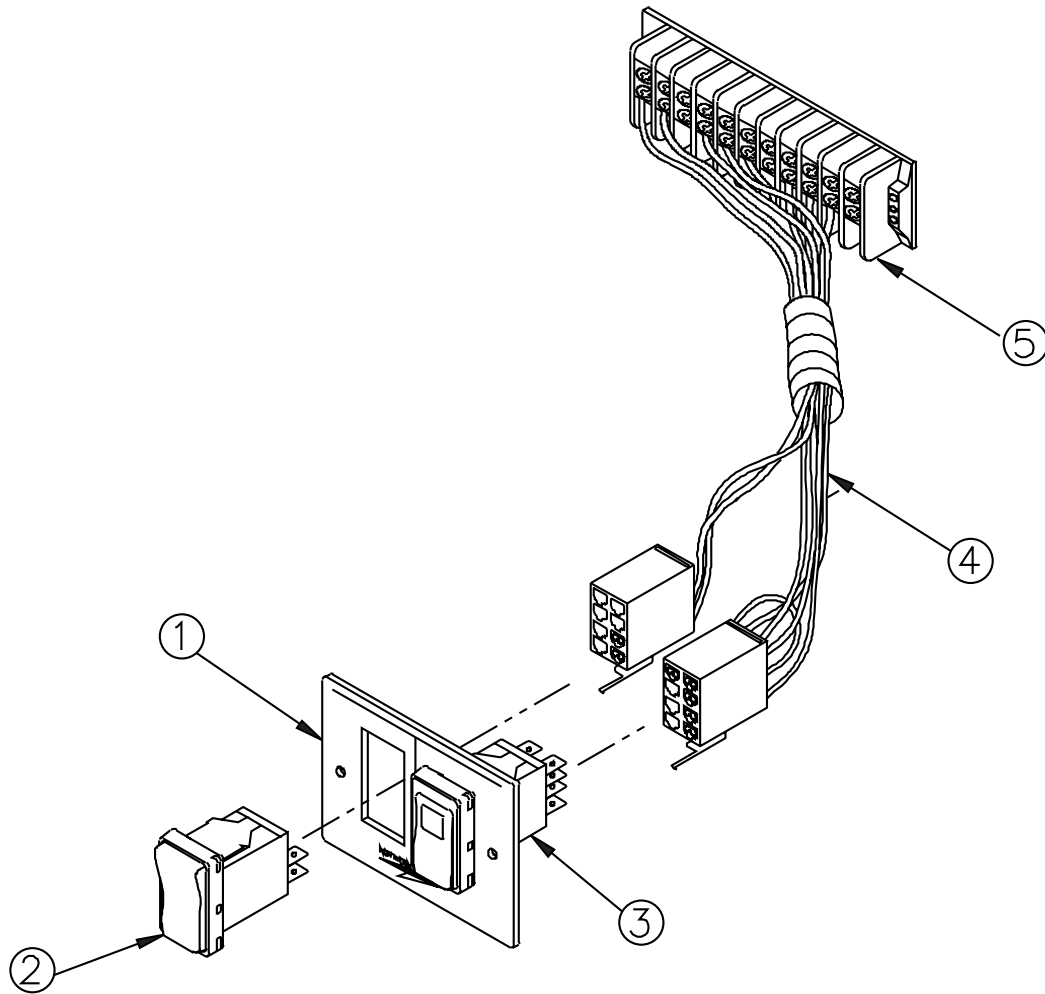
Propulsion



A-11546, A-11547, A-11550,
A-11551 / B-4766Cchanged

KEY	PART NUMBER	QTY	DESCRIPTION	SERIAL NUMBER
••	22-90660	1	12 Volt Auxiliary Panel Kit (includes all keys)	-
••	22-90665	1	24 Volt Auxiliary Panel Kit (includes all keys)	-
•	22-90659	1	12 Volt Auxiliary Panel (includes keys 1 - 7)	-
•	22-90664	1	24 Volt Auxiliary Panel (includes keys 1 - 7)	-
1	28-74801	1	Panel Plate	-
2	37-90029-1	1	Pyrometer Assembly (includes thermocouple & harness)	-
3	37-90083-1	1	Oil Pressure Gauge 0-400 PSI, 12 Volt	-
	37-90084-1	1	Oil Pressure Gauge 0-400 PSI, 24 Volt	-
4	37-90063-1	1	Pressure Gauge 0-28 PSI, 12 Volt	-
	37-90064-1	1	Pressure Gauge 0-28 PSI, 24 Volt	-
5	22-44865	1	Wire Harness	-
6	12-90002	4	Self Tapping Screw #8 x 1 Type AB Phillips*	-
7	37-41004	**	Bulb, Clear - 12 Volt	-
	37-41003	**	Bulb, Clear - 24 Volt	-
8	22-41094	1	Pressure Sender 0-30 PSI*	-
9	22-40239	1	Pressure Sender 400 PSI*	-
10	21-00139	**	Adapter 1/8 BSPT x 1/8 NPT*	-
11	22-94803	1	Extension Harness 3 Ft.*	-
12	21-34802	1	Connector for Thermocouple (included in #37-90029-1)	-
13	22-40004	1	Resistor Kit (for pyrometer, 24 Volt only)	-
			*Not shown	
			**As required	

S-1 Control Panel 12 & 24 Volt

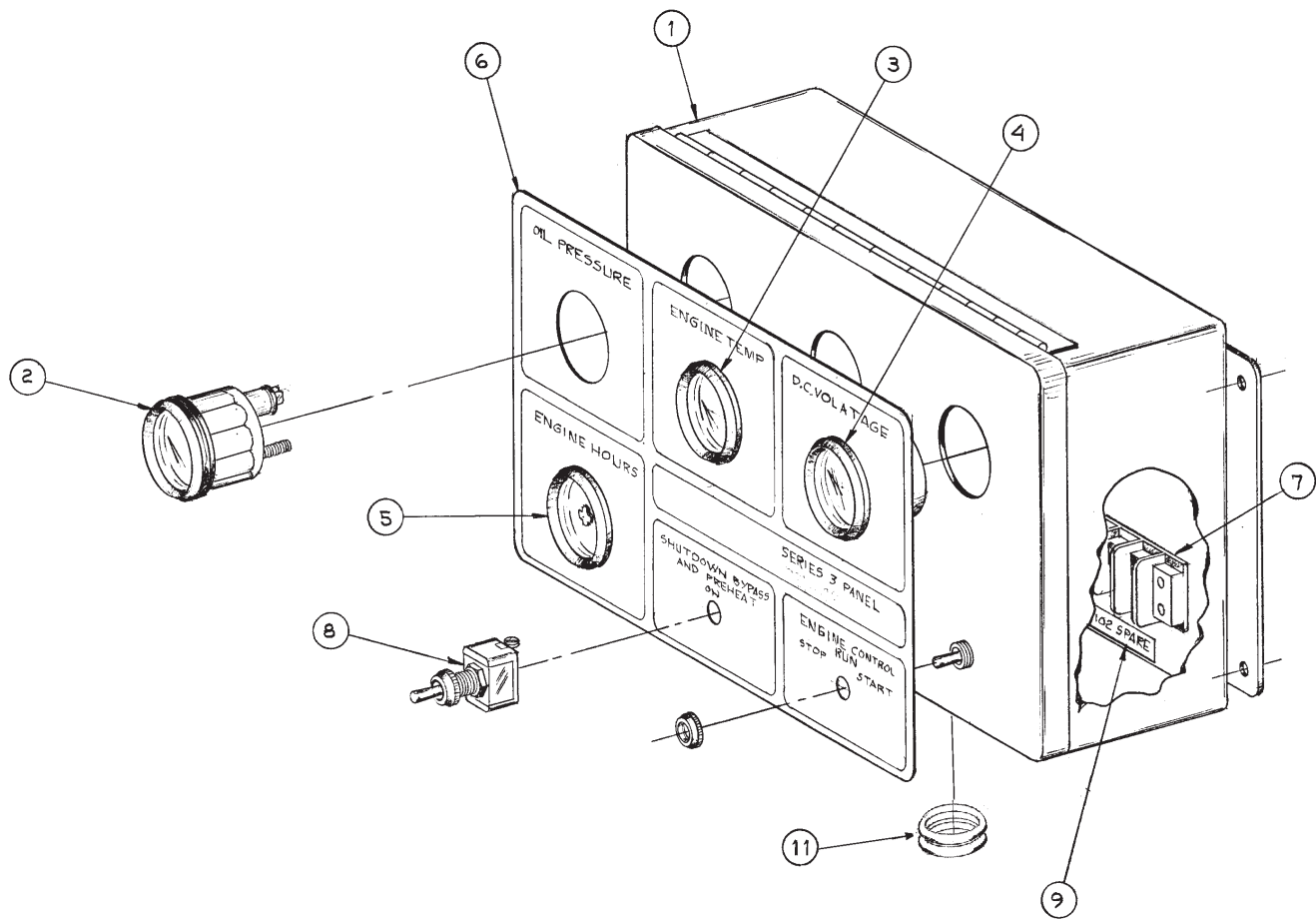


A-8555-6/ B-5970

KEY	PART NUMBER	QTY	DESCRIPTION	SERIAL NUMBER
••	22-90610	1	S-1 Control Panel Assembly, 12 Volt (includes all keys)	-
••	22-90615	1	S-1 Control Panel Assembly, 24 Volt (includes all keys)	-
1	00-40013	1	Plate, S-1 Control Panel	-
2	22-90167	1	Rocker Switch	-
3	22-90168	1	Rocker Switch	-
4	22-40388	1	Wire Harness, 12 Volt	-
	22-40389	1	Wire Harness, 24 Volt	-
5	22-41077	1	Terminal Strip	-
6	22-40012	1	Resistor, 24 Volt	-
7	00-00013	1	Label "12 Volt" *	-
	00-00014	1	Label "24 Volt" *	-
8	22-00052	1	Number Strip, Flush Panel *	-
			*Not shown	

GROUP 5 - ELECTRICAL SYSTEM

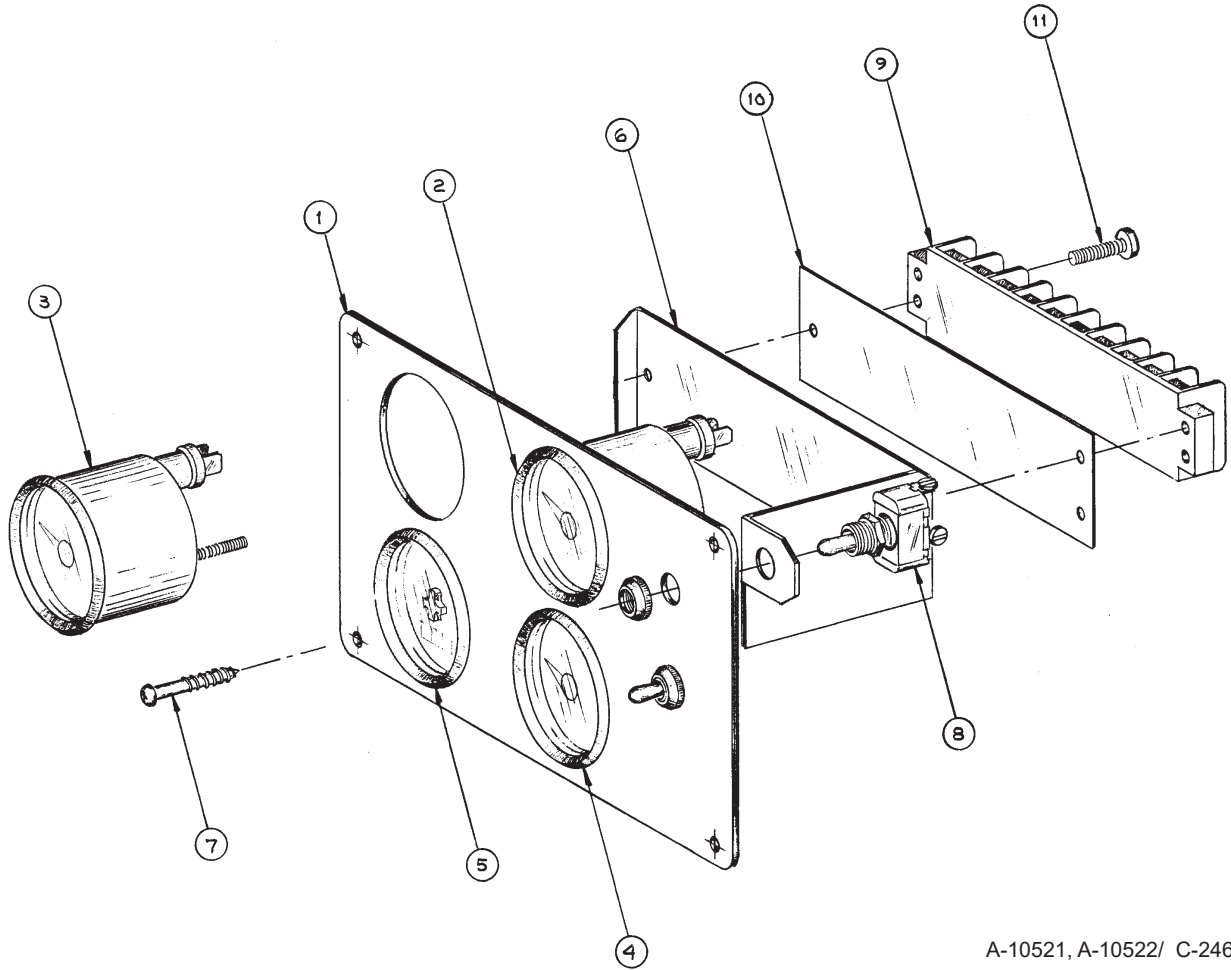
S-3B Control Panel 12 & 24 Volt



A-10525, A-10526/ C-2470

KEY	PART NUMBER	QTY	DESCRIPTION	SERIAL NUMBER
••	22-99501	1	S-3B Control Panel Assembly, 12 Volt (includes all keys)	-
••	22-99502	1	S-3B Control Panel Assembly, 24 Volt (includes all keys)	-
1	39-40008	1	Enclosure	-
2	37-90081-1	1	Oil Pressure Gauge 12 Volt	-
	37-90082-1	1	Oil Pressure Gauge 24 Volt	-
3	37-90075-1	1	Temperature Gauge 12 Volt	-
	37-90076-1	1	Temperature Gauge 24 Volt	-
4	37-90072-1	1	DC Volt Meter, 8- 16 VDC	-
	37-90073-1	1	DC Volt Meter, 18- 32 VDC	-
5	37-90074-1	1	Hour Meter	-
6	00-91018	1	Decal	-
7	22-41077	1	Terminal Board	-
8	22-41051	2	Switch	-
9	22-00052	1	Number Strip	-
10	22-40257	1	Wire Harness *	-
11	00-40028	1	Grommet	-
12	37-41004	**	Bulb, 12 Volt *	-
	37-41003	**	Bulb, 24 Volt *	-
			*Not shown	**As required

S-3C Control Panel 12 & 24 Volt



A-10521, A-10522/ C-2465

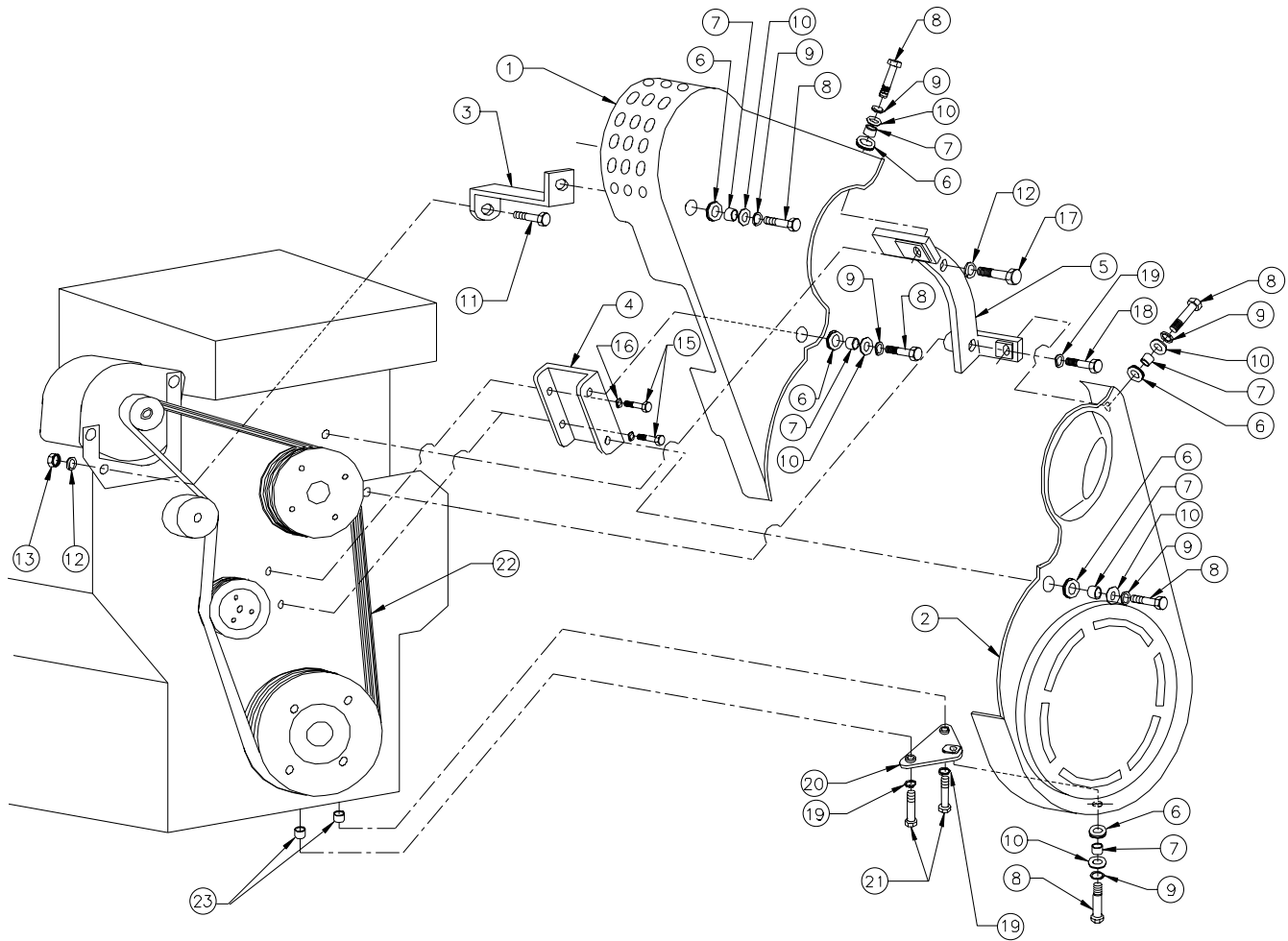
KEY	PART NUMBER	QTY	DESCRIPTION	SERIAL NUMBER
••	22-99511	1	S-3C Control Panel Assembly, 12 Volt (includes all keys)	-
••	22-99512	1	S-3C Control Panel Assembly, 24 Volt (includes all keys)	-
1	28-90010	1	Plate	-
2	37-90081-1	1	Oil Pressure Gauge, 0-80 PSI 12 Volt	-
	37-90082-1	1	Oil Pressure Gauge, 0-80 PSI 24 Volt	-
3	37-90075-1	1	Engine Temperature Gauge, 250° 12 Volt	-
	37-90076-1	1	Engine Temperature Gauge, 250° 24 Volt	-
4	37-90072-1	1	Volt Meter, 8- 16 VDC	-
	37-90073-1	1	Volt Meter, 18- 32 VDC	-
5	37-90074-1	1	Hour Meter 12/ 24 Volt	-
6	23-90014	1	Bracket	-
7	12-90007	4	Self Tapping Screw, OVH Phillips #6	-
8	22-41051	2	Switch	-
9	22-41077	1	Terminal Board	-
10	22-00052	1	Number Strip	-
11	12-00006	2	Machine Screw, #8- 32 x 1/2 "	-
12	00-00013	**	Label, 12 Volt*	-
	00-00014	**	Label, 24 Volt*	-
13	22-40245	1	Wire Harness*	-
14	37-41004	**	Bulb, 12 Volt*	-
	37-41003	**	Bulb, 24 Volt*	-

*Not shown

**As required

Belt Guard, Medium Frame Alternators without Front PTO

L- M1066T, M99C2, L1066A, and M1066A1, A2, A3



A-8700/ C-5053

Belt Guard, Medium Frame Alternators without Front PTO

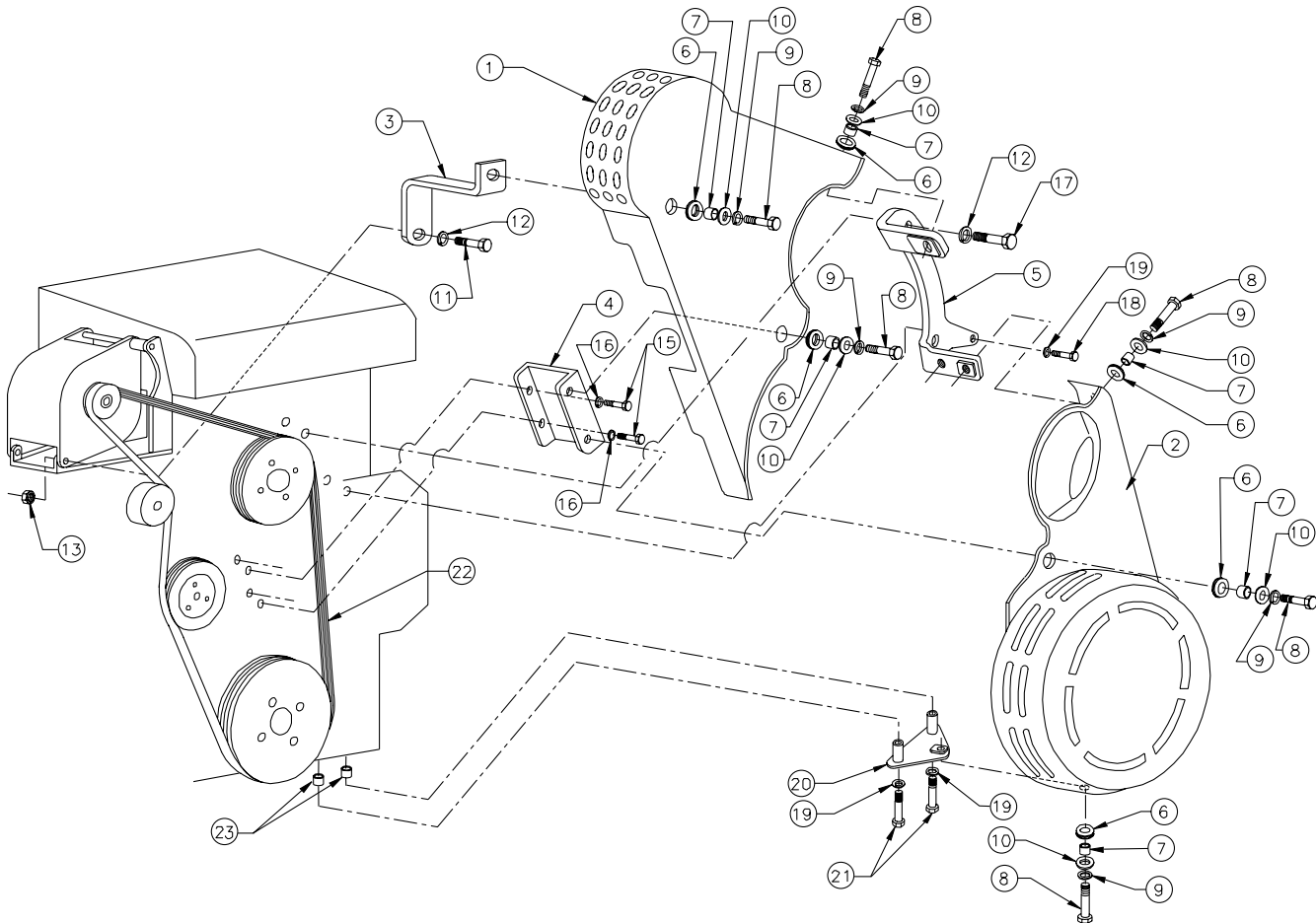
L- M1066T, M99C2, L1066A, and M1066A1, A2, A3

KEY	PART NUMBER	QTY	DESCRIPTION	SERIAL NUMBER
1	00-09501	1	Belt Guard, Upper 1/2	-
2	00-09602	1	Belt Guard, Lower 1/2 (L- M1066T)	-
	00-09606	1	Belt Guard, Lower 1/2 (L1066A with Single Damper & M1066A1, A2, A3)	-
	00-09603	1	Belt Guard, Lower 1/2 (L1066A with Dual Dampers)	-
3	23-09502	1	Bracket (units with idler assy in place of alternator)	-
	23-09517	1	Bracket (units with alternators)	-
4	23-09503	1	Bracket	-
5	23-09507	1	Bracket	-
6	00-00017	6	Grommet	-
7	21-05002	6	Spacer	-
8	12-09712	6	Capscrew, Hex Head M8 x 1.25 x 25 mm S/S	-
9	15-00705	6	Lock Washer M8 S/S	-
10	15-70004	6	Snubbing Washer S/S	-
11	12-00832	1	Capscrew, Hex Head M10 x 1.5 x 30 mm	-
12	15-00802	2	Lock Washer M10	-
13	14-00811	1	Hex Nut M10 x 1.5	-
15	12-00072	2	Capscrew, Socket Head M6 x 1.0 x 30 mm	-
16	15-00018	2	Lock Washer, Hi-collar 1/4	-
17	12-00805	1	Capscrew, Hex Head M10 x 1.5 x 20 mm	-
18	12-00717	1	Capscrew, Hex Head M8 x 1.25 x 60 mm	-
19	15-00702	3	Lock Washer M8	-
20	23-09506	1	Bracket (L- M1066T)	-
	23-09604	1	Bracket (L1066A - M1066A1, A2, A3)	-
21	12-00714	2	Capscrew, Hex Head M8 x 1.25 x 40 mm	-
22		1	Drive Belt, Poly-V (see application chart)	-
23	21-05002	**	Spacer	-

**As required

Belt Guard, Large Frame Alternators without front PTO

L-M1066T, M99C2, L1066A, and M1066A1, A2, A3



A-8702, A-10807, A-10976/ C-5768

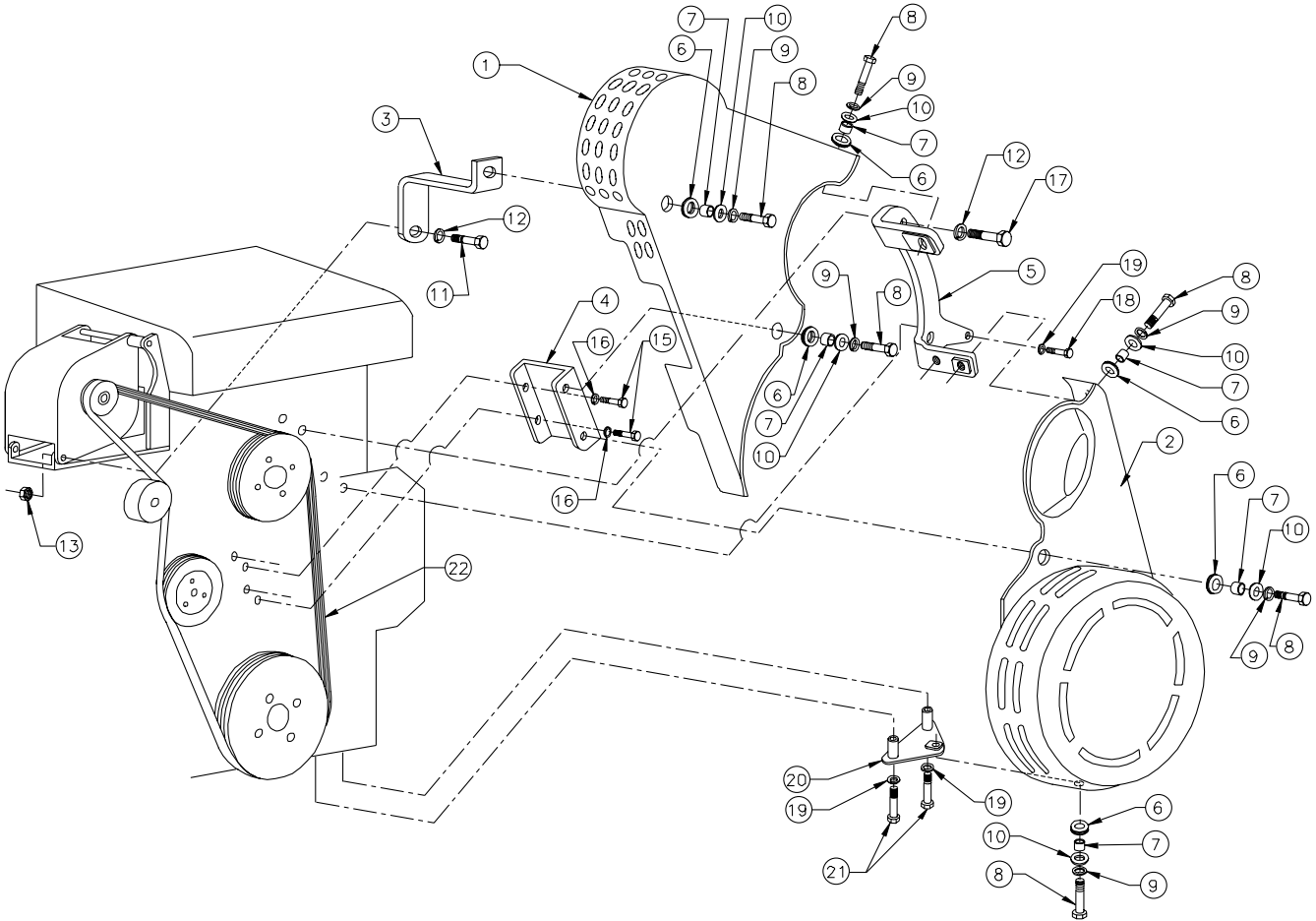
Belt Guard, Large Frame Alternators without front PTO

L-M1066T, M99C2, L1066A, and M1066A1, A2, A3

KEY	PART NUMBER	QTY	DESCRIPTION	SERIAL NUMBER
1	00-09503	1	Belt Guard, Upper 1/2	-
2	00-09602	1	Belt Guard, Lower 1/2 (L- M1066T)	-
	00-09606	1	Belt Guard, Lower 1/2 (L1066A with single damper, M1066A1,A2, A3)	-
	00-09603	1	Belt Guard, Lower 1/2 (L1066A with dual dampers)	-
3	23-09508	1	Bracket	-
4	23-09503	1	Bracket	-
5	23-09507	1	Bracket	-
6	00-00017	6	Grommet	-
7	21-05002	6	Spacer	-
8	12-09712	6	Capscrew, Hex Head M8 x 1.25 x 25 mm S/S	-
9	15-00705	6	Lock Washer M8 S/S	-
10	15-70004	6	Snubbing Washer S/S	-
11	12-00814	2	Capscrew, Hex Head M10 x 1.5 x 35 mm	-
12	15-00802	3	Lock Washer M10	-
13	14-00811	3	Hex Nut M10 x 1.5	-
15	12-00072	2	Capscrew, Socket Head M6 x 1.0 x 30 mm	-
16	15-00018	2	Lock Washer, Hi-collar 1/4"	-
17	12-00805	1	Capscrew, Hex Head M10 x 1.5 x 20 mm	-
18	12-00717	1	Capscrew, Hex Head M8 x 1.25 x 60 mm	-
19	15-00702	3	Lock Washer M8	-
20	23-09506	1	Bracket (L- M1066T)	-
	23-09604	1	Bracket (L1066A, M1066A1, A2, A3)	-
21	12-00714	2	Capscrew, Hex Head M8 x 1.25 x 40 mm (L- M1066T)	-
	12-00716	2	Capscrew, Hex Head M8 x 1.25 x 55 mm (L1066A & M1066A1,A2,A3)	-
22		1	Drive Belt, Poly-V (see application chart)	-
23	21-05002	**	Spacer (L1066A)	-

Belt Guard, Medium Frame Alternators without front PTO

L- M1066H



A-11328, A-11084/ C-5768

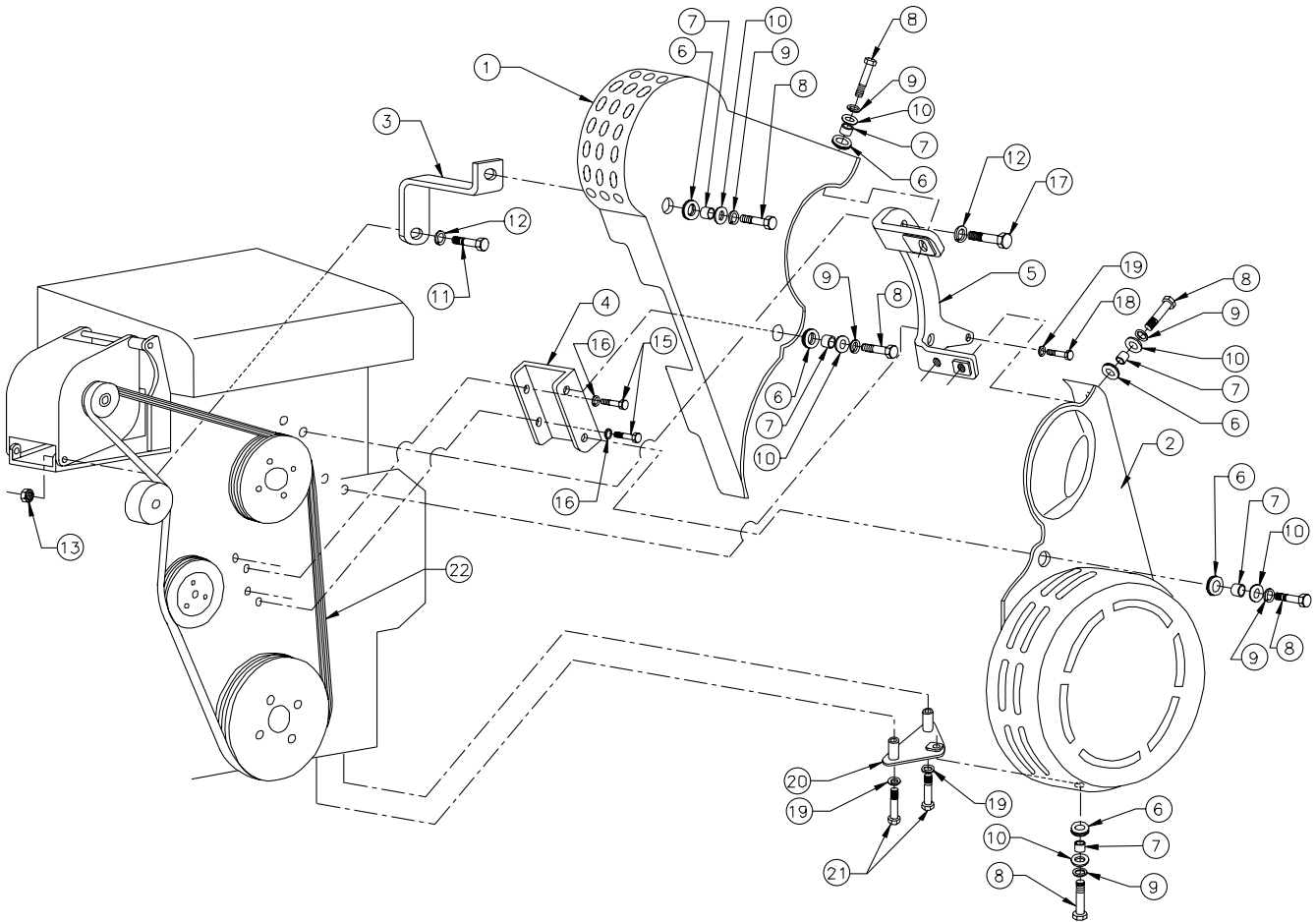
Belt Guard, Medium Frame Alternators without front PTO

L- M1066H

KEY	PART NUMBER	QTY	DESCRIPTION	SERIAL NUMBER
1	00-09501	1	Belt Guard, Upper 1/2 (Early Production)*	-
	00-09509	1	Belt Guard, Upper 1/2 (Late Production)**	-
2	00-09603	1	Belt Guard, Lower 1/2	-
3	23-09502	1	Bracket (Early Production)*	-
	23-09513	1	Bracket (Late Production)**	-
4	23-09503	1	Bracket	-
5	23-09512	1	Bracket	-
6	00-00017	6	Grommet	-
7	21-05002	6	Spacer	-
8	12-09712	6	Capscrew, Hex Head M8 x 1.25 x 25 mm S/S	-
9	15-00705	6	Lock Washer M8 S/S	-
10	15-70004	6	Snubbing Washer S/S	-
11	12-00832	1	Capscrew, Hex Head M10 x 1.5 x 30 mm	-
12	15-00802	2	Lock Washer M10	-
13	14-00811	1	Hex Nut M10 x 1.5	-
15	12-00072	2	Capscrew, Socket Head M6 x 1.0 x 30 mm	-
16	15-00018	2	Lock Washer, Hi-collar 1/4"	-
17	12-00805	1	Capscrew, Hex Head M10 x 1.5 x 20 mm	-
18	12-00717	1	Capscrew, Hex Head M8 x 1.25 x 60 mm	-
19	15-00702	3	Lock Washer M8	-
20	23-09604	1	Bracket	-
21	12-00716	2	Capscrew, Hex Head M8 x 1.25 x 55 mm	-
22		1	Drive Belt, Poly-V (see application chart)	-
			<p>*See Medium Frame Alternator (Early Production) Installed on the following units only: 0661-2559 0661-2704 0661-2705 0661-2712</p> <p>**See Medium Frame Alternator (Late Production)</p>	

Belt Guard, Large Frame Alternators without front PTO

L- M1066H



A-10631/ C-5768

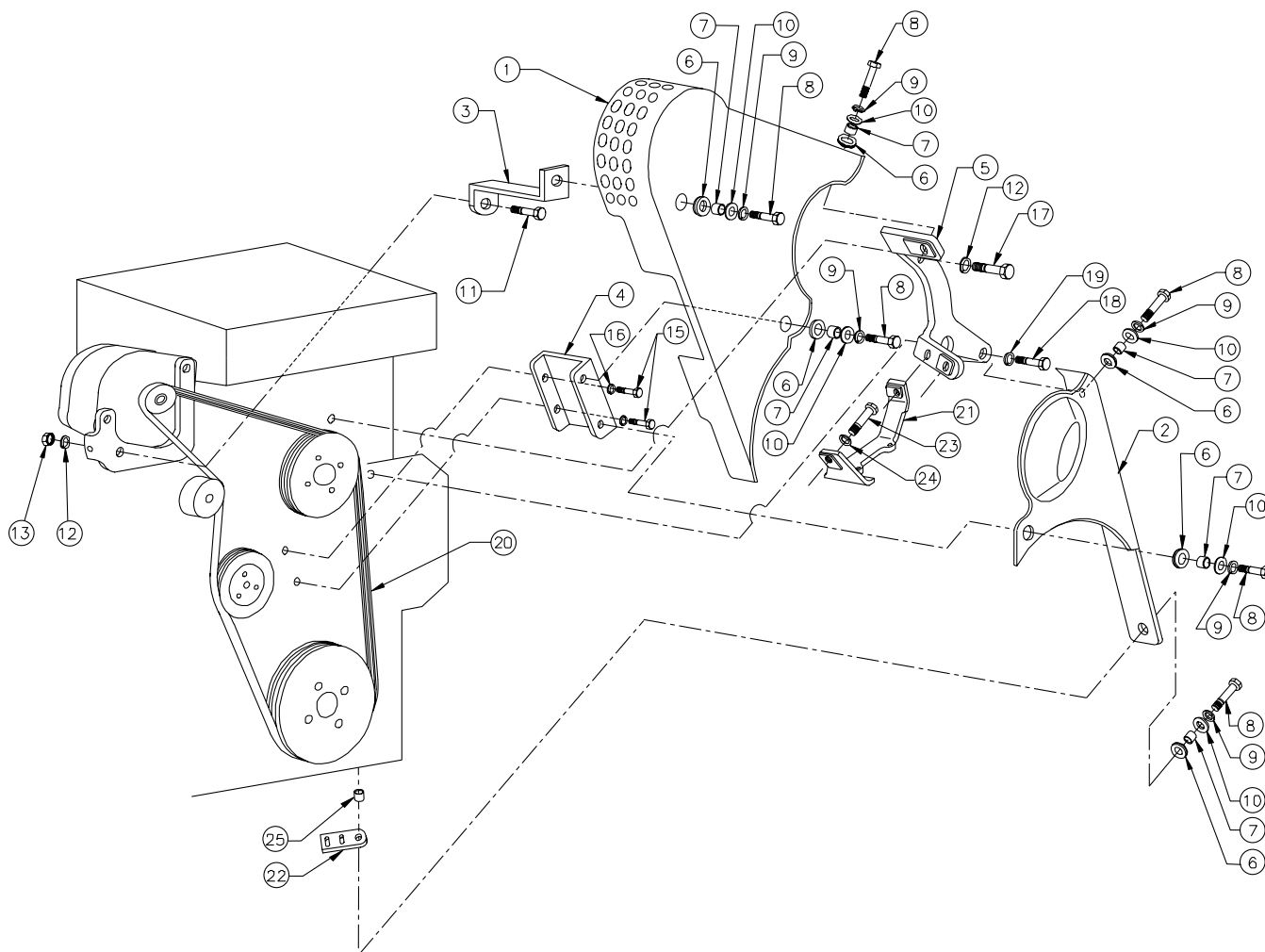
Belt Guard, Large Frame Alternators without front PTO

L- M1066H

KEY	PART NUMBER	QTY	DESCRIPTION	SERIAL NUMBER
1	00-09503	1	Belt Guard, Upper 1/2	-
2	00-09603	1	Belt Guard, Lower 1/2	-
3	23-09508	1	Bracket	-
4	23-09503	1	Bracket	-
5	23-09507	1	Bracket	-
6	00-00017	6	Grommet	-
7	21-05002	6	Spacer	-
8	12-09712	6	Capscrew, Hex Head M8 x 1.25 x 25 mm S/S	-
9	15-00705	6	Lock Washer M8 S/S	-
10	15-70004	6	Snubbing Washer S/S	-
11	12-00814	2	Capscrew, Hex Head M10 x 1.5 x 35 mm	-
12	15-00802	3	Lock Washer M10	-
13	14-00811	3	Hex Nut M10 x 1.5	-
15	12-00072	2	Capscrew, Socket Head M6 x 1.0 x 30 mm	-
16	15-00018	2	Lock Washer, Hi-collar 1/4"	-
17	12-00805	1	Capscrew, Hex Head M10 x 1.5 x 20 mm	-
18	12-00717	1	Capscrew, Hex Head M8 x 1.25 x 60 mm	-
19	15-00702	3	Lock Washer M8	-
20	23-09604	1	Bracket	-
21	12-00716	2	Capscrew, Hex Head M8 x 1.25 x 55 mm	-
22		1	Drive Belt, Poly-V (see application chart)	-

Belt Guard, Medium Frame Alternators with PTO

L-M1066T, M99C2, L1066A, and M1066A1, A2, A3



A-8701/ C-5736

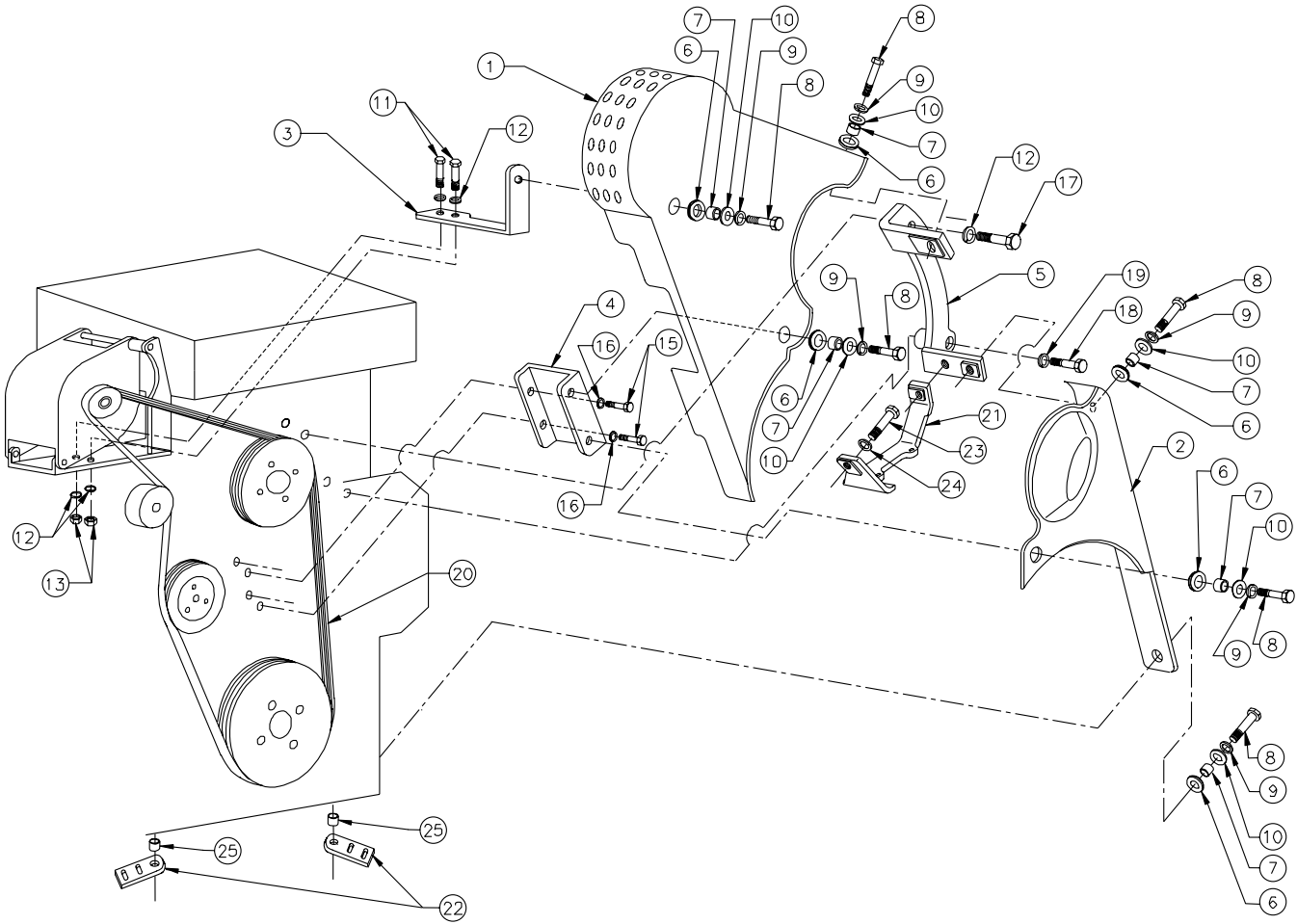
Belt Guard, Medium Frame Alternators with PTO

L-M1066T, M99C2, L1066A, and M1066A1, A2, A3

KEY	PART NUMBER	QTY	DESCRIPTION	SERIAL NUMBER
1	00-09501	1	Belt Guard, Upper 1/2	-
2	00-09502	1	Belt Guard, Lower 1/2	-
3	23-09502	1	Bracket (units with idler assy in place of alternator)	-
	23-09517	1	Bracket (units with alternators)	-
4	23-09503	1	Bracket	-
5	23-09507	1	Bracket	-
6	00-00017	6	Grommet	-
7	21-05002	6	Spacer	-
8	12-09712	6	Capscrew, Hex Head M8 x 1.25 x 25 mm S/S	-
9	15-00705	6	Lock Washer M8 S/S	-
10	15-70004	6	Snubbing Washer S/S	-
11	12-00832	2	Capscrew, Hex Head M10 x 1.5 x 30 mm	-
12	15-00802	2	Lock Washer, Helical M10	-
13	14-00811	1	Hex Nut M10 x 1.5	-
15	12-00072	2	Capscrew, Socket Head M6 x 1.0 x 30 mm	-
16	15-00018	2	Lock Washer, Hi-collar 1/4"	-
17	12-00805	1	Capscrew, Hex Head M10 x 1.5 x 20 mm	-
18	12-00717	1	Capscrew, Hex Head M8 x 1.25 x 60 mm	-
19	15-00702	1	Lock Washer M8	-
20		1	Drive Belt, Poly-V (see application chart)	-
21	23-09510	1	Bracket, Extra Drive Belt Support	-
22	23-09511	2	Bracket, Extra Drive Belt Support	-
23	12-00751	2	Capscrew, Hex Head M8 x 1.25 x 16 mm	-
24	15-00702	2	Lock Washer M8	-
25	21-05002	**	Spacer	-
			**As required	

Belt Guard, Large Frame Alternators with PTO

L- M1066T, M99C2, L1066A, and M1066A1, A2, A3



A-8703/ C-5735

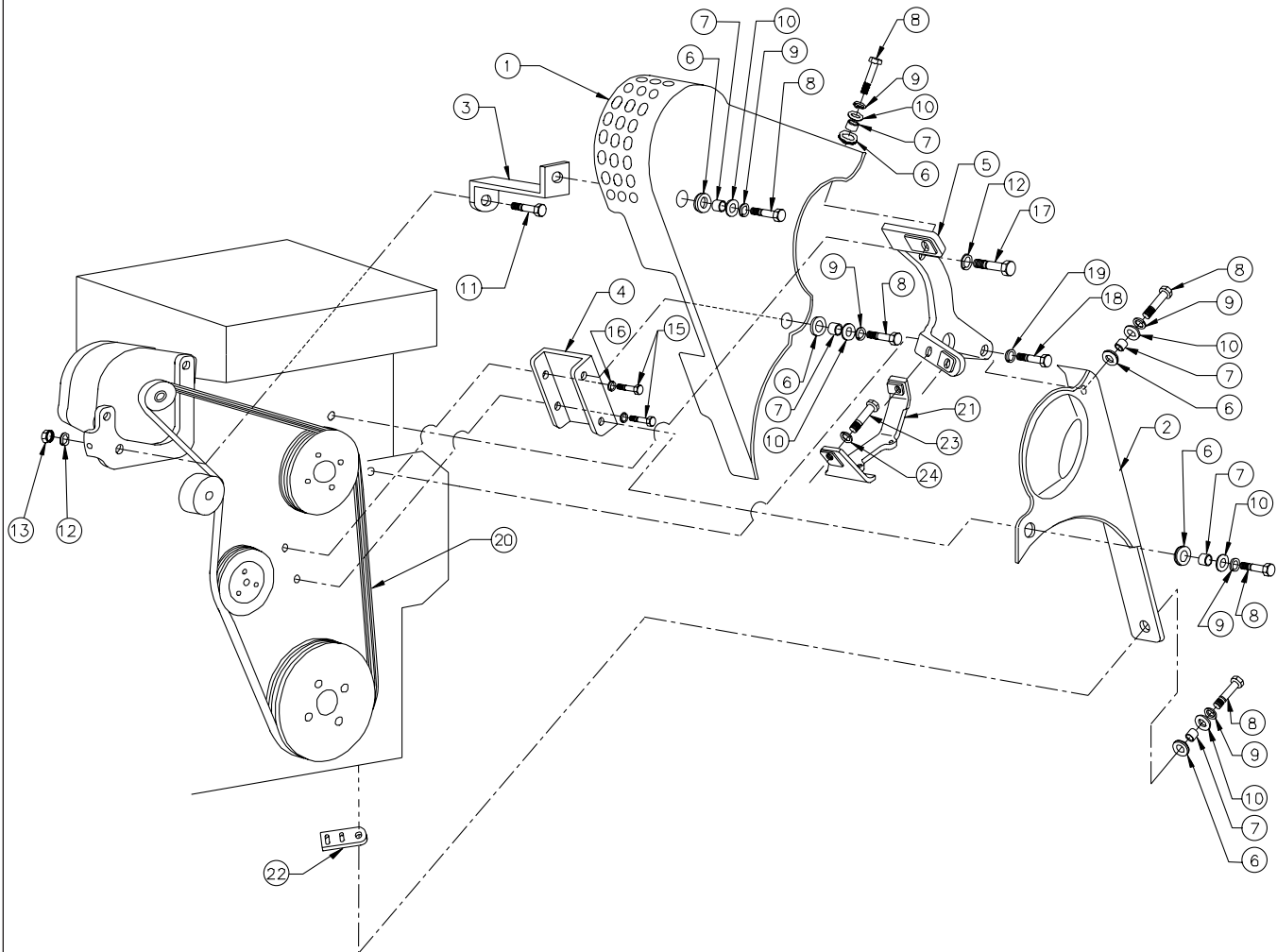
Belt Guard, Large Frame Alternators with PTO

L- M1066T, M99C2, L1066A, and M1066A1, A2, A3

KEY	PART NUMBER	QTY	DESCRIPTION	SERIAL NUMBER
1	00-09503	1	Belt Guard, Upper 1/2	-
2	00-09502	1	Belt Guard, Lower 1/2	-
3	23-09508	1	Bracket	-
4	23-09503	1	Bracket	-
5	23-09507	1	Bracket	-
6	00-00017	6	Grommet	-
7	21-05002	6	Spacer	-
8	12-09712	6	Capscrew, Hex Head M8 x 1.25 x 25 mm S/S	-
9	15-00705	6	Lock Washer M8 S/S	-
10	15-70004	6	Snubbing Washer S/S	-
11	12-00814	2	Capscrew, Hex Head M10 x 1.5 x 35 mm	-
12	15-00802	2	Lock Washer M10	-
13	14-00811	1	Hex Nut M10 x 1.5	-
15	12-00072	2	Capscrew, Socket Head M6 x 1.0 x 30 mm	-
16	15-00018	2	Lock Washer, Hi-collar 1/4"	-
17	12-00805	1	Capscrew, Hex Head M10 x 1.5 x 20 mm	-
18	12-00717	1	Capscrew, Hex Head M8 x 1.25 x 60 mm	-
19	15-00702	1	Lock Washer M8	-
20		1	Drive Belt, Poly-V (see application chart)	-
21	23-09510	1	Bracket, Extra Drive Belt Support	-
22	23-09511	2	Bracket, Extra Drive Belt Support	-
23	12-00751	2	Capscrew, Hex Head M8 x 1.25 x 16 mm	-
24	15-00702	2	Lock Washer M8	-
25	21-05002	**	Spacer	-
			**As required	

Belt Guard, Medium Frame Alternators with PTO

L- M1066H



A-11085/ C-5736

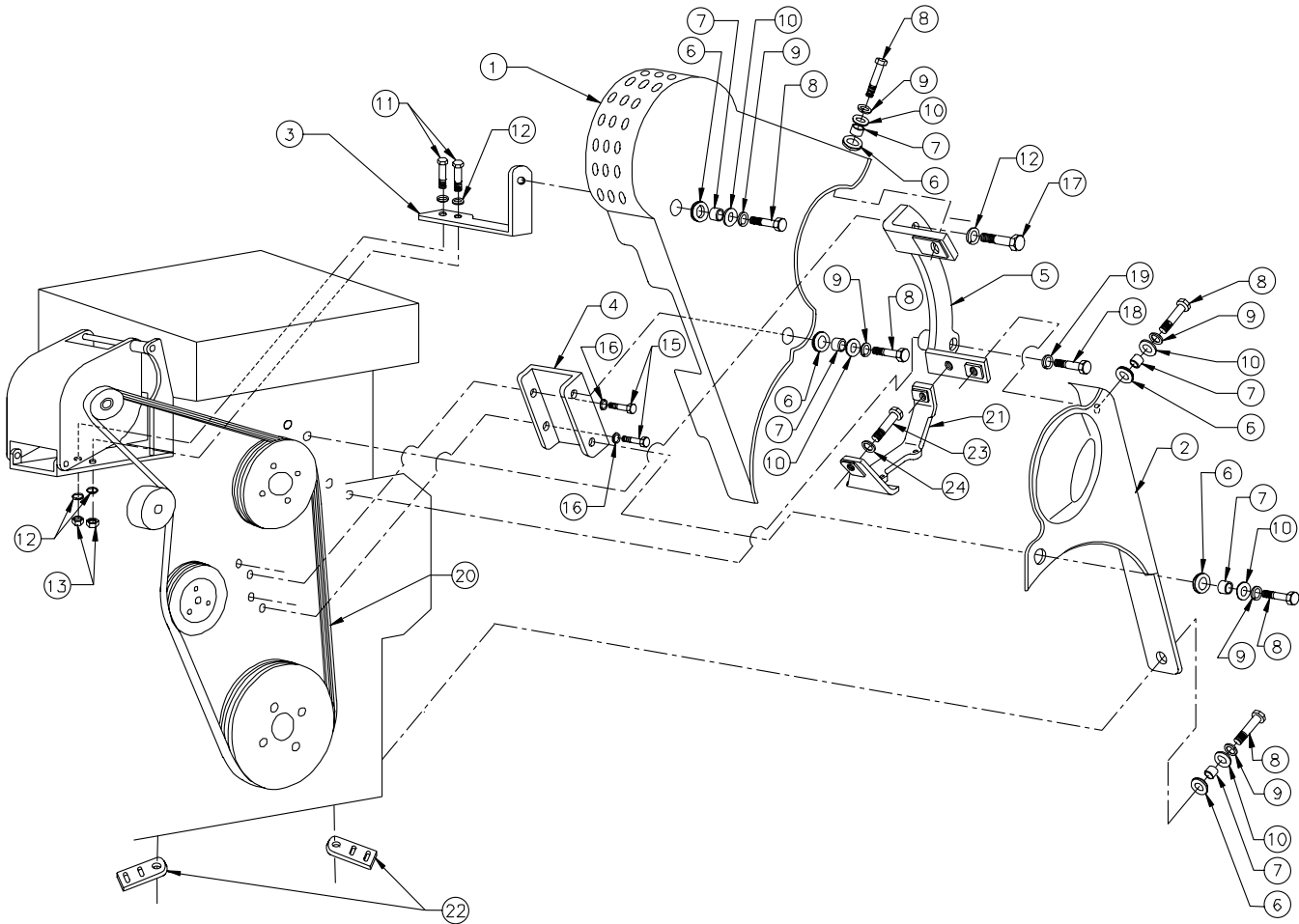
Belt Guard, Medium Frame Alternators with PTO

L- M1066H

KEY	PART NUMBER	QTY	DESCRIPTION	SERIAL NUMBER
1	00-09509	1	Belt Guard, Upper 1/2	-
2	00-09502	1	Belt Guard, Lower 1/2	-
3	23-09513	1	Bracket, Medium Frame Alternator	-
4	23-09503	1	Bracket	-
5	23-09512	1	Bracket	-
6	00-00017	6	Grommet	-
7	21-05002	6	Spacer	-
8	12-09712	6	Capscrew, Hex Head M8 x 1.25 x 25 mm S/S	-
9	15-00705	6	Lock Washer M8 S/S	-
10	15-70004	6	Snubbing Washer S/S	-
11	12-00832	2	Capscrew, Hex Head M10 x 1.5 x 30 mm	-
12	15-00802	2	Lock Washer, Helical M10	-
13	14-00811	3	Hex Nut M10 x 1.5	-
15	12-00072	2	Capscrew, Socket Head M6 x 1.0 x 30 mm	-
16	15-00018	2	Lock Washer, Hi-collar 1/4"	-
17	12-00805	1	Capscrew, Hex Head M10 x 1.5 x 20 mm	-
18	12-00717	1	Capscrew, Hex Head M8 x 1.25 x 60 mm	-
19	15-00702	1	Lock Washer M8	-
20		1	Drive Belt, Poly-V (see application chart)	-
21	23-09510	1	Bracket, Extra Drive Belt Support	-
22	23-09511	2	Bracket, Extra Drive Belt Support	-
23	12-00751	2	Capscrew, Hex Head M8 x 1.25 x 16 mm	-
24	15-00702	2	Lock Washer M8	-

Belt Guard, Large Frame Alternators with PTO

L- M1066H



A-10974/ C-5735

Belt Guard, Large Frame Alternators with PTO

L- M1066H

KEY	PART NUMBER	QTY	DESCRIPTION	SERIAL NUMBER
1	00-09503	1	Belt Guard, Upper 1/2	-
2	00-09502	1	Belt Guard, Lower 1/2	-
3	23-09508	1	Bracket	-
4	23-09503	1	Bracket	-
5	23-09512	1	Bracket	-
6	00-00017	6	Grommet	-
7	21-05002	6	Spacer	-
8	12-09712	6	Capscrew, Hex Head M8 x 1.25 x 25 mm S/S	-
9	15-00705	6	Lock Washer M8 S/S	-
10	15-70004	6	Snubbing Washer S/S	-
11	12-00814	2	Capscrew, Hex Head M10 x 1.5 x 35 mm	-
12	15-00802	2	Lock Washer M10	-
13	14-00811	3	Hex Nut M10 x 1.5	-
15	12-00072	2	Capscrew, Socket Head M6 x 1.0 x 30 mm	-
16	15-00018	2	Lock Washer, Hi-collar 1/4"	-
17	12-00805	1	Capscrew, Hex Head M10 x 1.5 x 20 mm	-
18	12-00717	1	Capscrew, Hex Head M8 x 1.25 x 60 mm	-
19	15-00702	1	Lock Washer M8	-
20		1	Drive Belt, Poly-V (see application chart)	-
21	23-09510	1	Bracket, Extra Drive Belt Support	-
22	23-09511	2	Bracket, Extra Drive Belt Support	-
23	12-00751	2	Capscrew, Hex Head M8 x 1.25 x 16 mm	-
24	15-00702	2	Lock Washer M8	-

GROUP 6 - GASKET SETS

Gasket Set, Engine Overhaul

KEY	PART NUMBER	QTY	DESCRIPTION	SERIAL NUMBER
			L- M1066T, M99C2	
••	29-09600	1	Gasket Set, Engine Overhaul (includes all keys)	-
1	R123543	1	Gasket	-
2	R521439	6	Gasket	-
3	R502814	1	Gasket	-
4	R123226	2	Seal	-
5	R123345	1	Gasket, Thermostat Housing	-
6	R123570	1	Gasket, Turbocharger Oil Outlet Tube	-
7	R123575	4	O-ring	-
8	R116516	1	Gasket, Cylinder Head	-
9	R501373	1	Gasket	-
11	R123572	1	Gasket	-
12	R123354	1	Gasket, Engine Oil Pan	-
13	R501428	1	Gasket	-
14	R75892	1	O-ring, Oil Pump Tube Connector	-
15	R97185	1	O-ring, Oil Pump Outlet Tube to Cover	-
16	R61871	1	O-ring, Oil Pump Intake Tube	-
17	A4827R	1	Washer, Oil Pressure Regulator Plug	-
18	RE44574	1	Seal, Rear Oil	-
19	RE59810	1	Front Oil Seal Kit	-
20	R123273	1	O-ring, Fuel Transfer Pump	-
21	R123417	1	Gasket, Water Pump	-
22	R136516	1	Gasket, Timing Gear Cover	-
	R136515	1	Gasket, Timing Gear Cover, for Auxiliary Drive	-
23	R123501	1	Gasket, Oil Cooler Housing	-
24	R502864	1	Gasket, Remote Oil Filter Adapter	-
25	R123525	1	Gasket, Oil Filter Header	up to - 766852
26	R53108	1	Gasket, Starting Motor	-
27	R72328	4	O-ring, Remote Oil Filter Tubes	-
28	R89944	1	O-ring, Water Pump Inlet	-
29	R61105	2	O-ring, Connector Tube to Timing Gear Cover	-
30	T122075	2	O-ring, Oil Cooler to Housing	-
31	R136495	2	Gasket, Oil Fill Cover	-
32	R500374	1	Gasket, Oil Filter Header	from 766853 -
	TY6304	1	Sealant	-
33	16-15005	6	O-ring	-
34	16-01000	2	O-ring	-
35	16-31001	1	O-ring	-
36	052300400	1	O-ring	-
37	11-31011	6	Gasket, Exhaust	-
38	11-30013	1	Gasket, Exhaust Flange	-
39	11-31401	1	Gasket, K26 Turbo Mounting	-
40	11-21011	2	Gasket, Intake Port	-
41	11-31031	1	Gasket, Turbo Oil Return	-
42	11-31012	1	Gasket	-
43	11-11022	1	Gasket, Filler Neck Mounting	-
44	11-11023	1	Gasket, Manifold to Expansion Tank	-
45	11-10015	2	Thermostat Seal Ring	-
46	11-11013	1	Gasket, Thermostat Cover Mounting	-
47	11-11043	1	Gasket, Expansion Tank Connection	-
48	16-19502	1	O-ring, 7/16" I.D. x 3/16" Nitrile	-

Gasket Set, Engine Overhaul

KEY	PART NUMBER	QTY	DESCRIPTION	SERIAL NUMBER
49	16-14804	1	O-ring, 2" I.D. x 1/8" Nitrile	-
50	16-19503	1	O-ring, 4-1/4" I.D. x 3/32" Nitrile	-
51	16-19501	2	O-ring, 4-1/2" I.D. x 1/8" Nitrile	-
52	15-09501	2	Sealing Washer, Copper, M22	-
53	11-31615	1	Gasket, Turbo/Exhaust Mounting	-
54	11-31635	1	Gasket, Turbo Exhaust (K27)	-
55	16-21001	2	O-ring, 1-3/4" I.D. x 3/16"	-
L1066A, M1066A1, A2, A3				
••	29-09601	1	Gasket Set, Engine Overhaul (includes all keys)	-
1	R123543	1	Gasket	-
2	R521439	6	Gasket	-
3	R502814	1	Gasket	-
4	R123226	2	Seal	-
5	R123345	1	Gasket	-
6	R123570	1	Gasket	-
7	R123575	4	O-ring	-
8	R116516	1	Gasket, Cylinder Head	-
9	R501373	1	Gasket	-
11	R123572	1	Gasket	-
12	R123354	1	Gasket	-
13	R501428	1	Gasket	-
14	R75892	1	O-ring	-
15	R97185	1	O-ring	-
16	R61871	1	O-ring	-
17	A4827R	1	Washer	-
18	RE44574	1	Seal	-
19	RE59810	1	Seal Kit	-
20	R123273	1	O-ring	-
21	R123417	1	Gasket	-
22	R136516	1	Gasket	-
	R136515	1	Gasket	-
23	R123501	1	Gasket	-
24	R502864	1	Gasket	-
25	R123525	1	Gasket	up to -766852
26	R53108	1	Gasket	-
27	R72328	4	O-ring	-
28	R89944	1	O-ring	-
29	R61105	2	O-ring	-
30	T122075	2	O-ring	-
31	R136495	2	Gasket	-
32	R500374	1	Gasket	from 766853 -
	RY6304	1	Sealant	-
33	16-15005	6	O-ring, 1/2" I.D. x 3/32" Nitrile	-
34	16-01000	2	O-ring, 3/4" I.D. x 3/32" Nitrile	-
35	16-31001	1	O-ring, 1-7/8" I.D. x 3/16"	-
36	052300400	1	O-ring	-
37	11-310011	6	Gasket, Exhaust	-
38	11-30013	1	Gasket, Exhaust Flange	-
39	11-31615	1	Gasket, Turbo/ Exhaust Mtg.	-
40	16-29502	2	O-ring, 2-1/4" I.D. x 1/8"	-

GROUP 6 - GASKET SETS

Gasket Set, Engine Overhaul

KEY	PART NUMBER	QTY	DESCRIPTION	SERIAL NUMBER
L1066A, M1066A1, A2, A3 continued				
41	11-31031	1	Gasket, Turbo Oil Return	-
42	11-31012	1	Gasket	-
43	11-11022	1	Gasket, Filler Neck Mtg.	-
44	11-11023	1	Gasket, Manifold to Expansion Tank	-
45	11-10015	2	Thermostat Seal Ring	-
46	11-11013	1	Gasket, Thermostat Cover Mtg.	-
47	11-11043	1	Gasket, Expansion Tank Connection	-
48	16-19502	1	O-ring, 7/16" I.D. x 3/16" Nitrile	-
49	16-14804	1	O-ring, 2" I.D. x 1/8" Nitrile	-
50	16-19503	1	O-ring, 4-1/4" I.D. x 3/32" Nitrile	-
51	16-19501	2	O-ring, 4-1/2" I.D. x 1/8"	-
52	15-09501	2	Sealing Washer, Copper M22	-
53	11-15704	2	Gasket, Block-off/ Adapter Mtg.	-
54	11-31635	1	Gasket, Turbo Exhaust (K27)	-
55	16-25701	1	O-ring, 2-7/8" I.D. x 3/16"	-
56	16-29501	1	O-ring, 2-3/8" I.D. x 3/16"	-
57	16-13101	2	O-ring, 2-1/2" I.D. x 1/8"	-
58	11-29501	1	Gasket, Aftercooler Mtg.	-
59	16-09601	2	O-ring, 17" I.D. x 1/8"	-
60	16-09504	2	O-ring, 7-1/2" I.D. x 1/8"	-
NL1066T, H1, H2, H3				
••	RE526965	1	Gasket Set, Engine Overhaul (includes all keys, former #RE501456)	-
1	R123543	1	Gasket	-
2	R521439	6	Gasket	-
3	R502814	1	Gasket	-
4	R123226	2	Seal	-
5	R123345	1	Gasket	-
6	R123570	1	Gasket	-
7	R123575	4	O-ring	-
8	R116516	1	Gasket, Cylinder Head	-
9	R501373	1	Gasket	-
11	R123572	1	Gasket	-
12	R123354	1	Gasket	-
13	R501428	1	Gasket	-
14	R75892	1	O-ring	-
15	R97185	1	O-ring	-
16	R61871	1	O-ring	-
17	A4827R	1	Washer	-
18	RE44574	1	Seal	-
19	RE59810	1	Seal Kit	-
20	R123273	1	O-ring	-
21	R123417	1	Gasket	-
22	R136516	1	Gasket	-
	R136515	1	Gasket	-
23	R123501	1	Gasket	-
24	R502864	1	Gasket	-
25	R123525	1	Gasket	up to -766852
26	R53108	1	Gasket	-
27	R72328	4	O-ring	-

Gasket Set, Engine Overhaul

KEY	PART NUMBER	QTY	DESCRIPTION	SERIAL NUMBER
			NL1066T, H1, H2, H3 continued	
28	R89944	1	O-ring	-
29	R61105	2	O-ring	-
30	T122075	2	O-ring	-
31	R136495	2	Gasket	-
32	R500374	1	Gasket	from 766853 -
	TY6304	1	Sealant	-
			L- M1066H	
••	29-09602	1	Gasket Set, Engine Overhaul (includes all keys)	-
1	R504882	1	Gasket, Rocker Arm Cover	-
2	R515030	1	Gasket, Intake Manifold	-
3	R505480	1	Gasket	-
4	R123226	2	Seal	-
5	R505479	1	Gasket	-
6	R123570	1	Gasket	-
7	R516158	7	O-ring	-
8	R116516	1	Gasket, Cylinder Head	-
9	R124607	1	Gasket	-
10	R521439	6	Gasket	-
11	R123572	1	Gasket	-
12	R123354	1	Gasket	-
13	R501428	1	Gasket	-
14	R75892	1	O-ring	-
15	R97185	2	O-ring	-
16	R61871	1	O-ring	-
17	R63185	2	O-ring	-
18	RE44574	1	Seal	-
19	RE59810	1	Seal Kit	-
20	R123273	1	O-ring	-
21	R123417	1	Gasket	-
22	R502954	1	Gasket	-
23	R123501	1	Gasket	-
24	R136495	2	Gasket	-
25	R123525	1	Gasket	-
26	R53108	1	Gasket	-
27	R72328	4	O-ring	-
28	R89944	1	O-ring	-
29	R61105	2	O-ring	-
30	T122075	2	O-ring	-
31	R500374	1	Gasket	-
32	16-15005	6	O-ring, 1/2" I.D. x 3/32"	-
33	16-01000	2	O-ring, 3/4" I.D. x 3/32"	-
34	16-31001	2	O-ring, 1-7/8" I.D. x 3/16"	-
35	052300400	1	O-ring	-
36	11-31011	12	Gasket, Exhaust	-
37	11-30013	1	Gasket, Exhaust Flange	-
38	11-31615	1	Gasket, Turbo/ Exhaust Mtg.	-
39	11-39501	1	Gasket, Coolant Port Adapter Mtg.	-
40	11-31031	1	Gasket, Turbo Oil Return	-
41	11-31012	1	Gasket	-

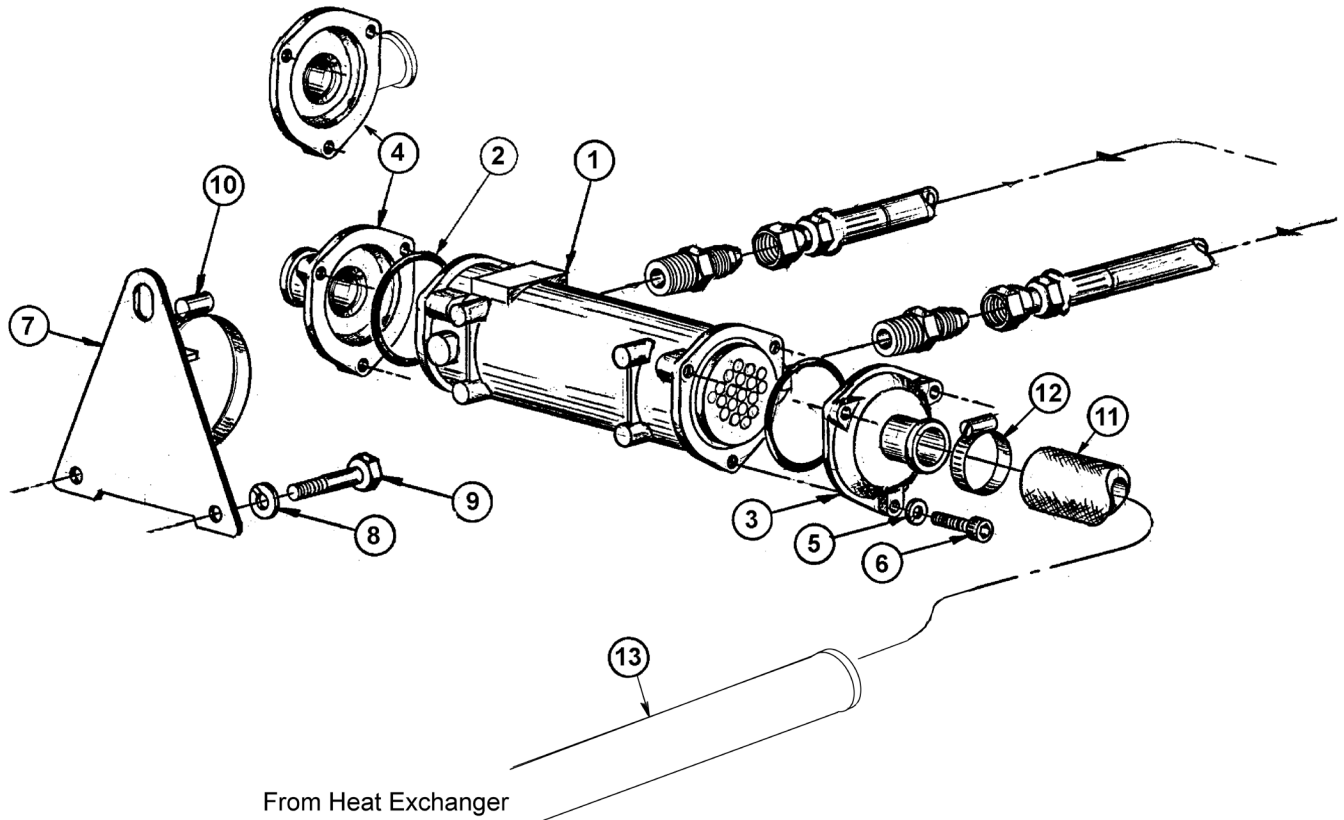
GROUP 6 - GASKET SETS

Gasket Set, Engine Overhaul

KEY	PART NUMBER	QTY	DESCRIPTION	SERIAL NUMBER
			L- M1066H continued	
42	11-11022	1	Gasket, Filler Neck Mtg.	-
43	11-11023	1	Gasket, Manifold To Expansion Tank	-
44	11-10015	2	Thermostat Seal Ring	-
45	11-11013	1	Gasket, Thermostat Cover Mtg.	-
46	11-11043	1	Gasket, Expansion Tank Connection	-
47	16-19502	1	O-ring, 7/16" I.D. x 3/16"	-
48	16-14804	1	O-ring, 2" I.D. x 1/8"	-
49	16-19503	1	O-ring, 4-1/4" I.D. x 3/32"	-
50	16-19501	2	O-ring, 4-1/2" I.D. x 1/8"	-
51	15-09501	2	Sealing Washer, Copper M22	-
52	11-15704	2	Gasket, Block-off/ Adapter Mtg.	-
53	11-31635	1	Gasket, Turbo Exhaust (K27)	-
54	16-25701	1	O-ring, 2-7/8" I.D. x 3/16"	-
55	16-29501	1	O-ring, 2-3/8" I.D. x 3/16"	-
56	16-13101	2	O-ring, 2-1/2" I.D. x 1/8"	-
57	16-09504	2	O-ring, 7-1/2" I.D. x 1/8"	-
58	16-09601	2	O-ring, 17" I.D. x 1/8"	-
			NL1066H4	
••	RE527015	1	Gasket Set, Engine Overhaul (includes all keys, former #RE518148)	-
1	R504882	1	Gasket	-
2	R515030	1	Gasket	-
3	R505480	1	Gasket	-
4	R123226	2	Seal	-
5	R505479	1	Gasket	-
6	R123570	1	Gasket	-
7	R516158	7	O-ring	-
8	R116516	1	Gasket, Cylinder Head	-
9	R124607	1	Gasket	-
10	R521439	6	Gasket	-
11	R123572	1	Gasket	-
12	R123354	1	Gasket	-
13	R501428	1	Gasket	-
14	R75892	1	O-ring	-
15	R97185	2	O-ring	-
16	R61871	1	O-ring	-
17	R63185	2	O-ring	-
18	RE44574	1	Seal	-
19	RE59810	1	Seal Kit	-
20	R123273	1	O-ring	-
21	R123417	1	Gasket	-
22	R502954	1	Gasket	-
23	R123501	1	Gasket	-
24	R136495	2	Gasket	-
25	R123525	1	Gasket	-
26	R53108	1	Gasket	-
27	R72328	4	O-ring	-
28	R89944	1	O-ring	-
29	R61105	2	O-ring	-
30	T122075	2	O-ring	-
31	R500374	1	Gasket	-

Gear Oil Cooler Heat Exchanged Units

L1066T



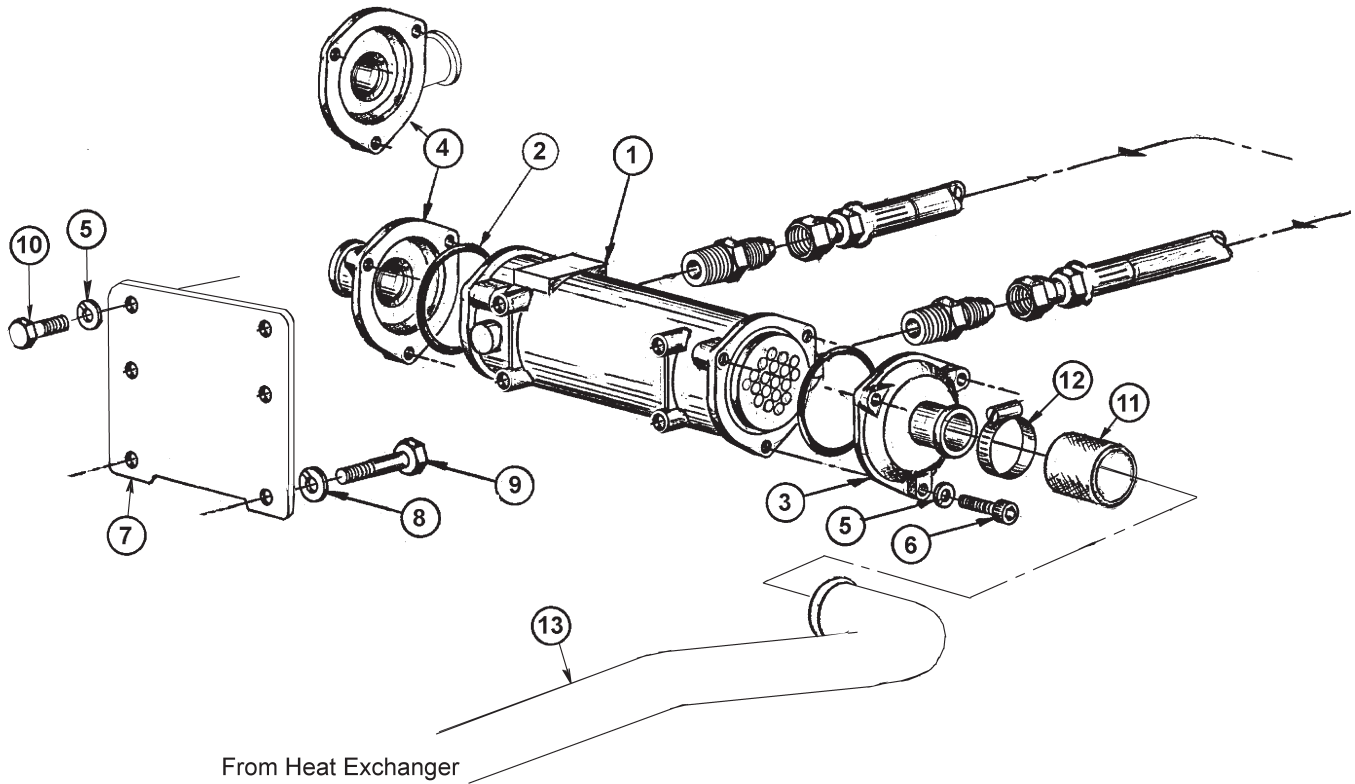
A-5005/ C-2541A

KEY	PART NUMBER	QTY	DESCRIPTION	SERIAL NUMBER
1	20-62500	1	Gear Oil Cooler	-
2	16-10001	2	O-ring	-
3	20-61039	1	End Cover 1-1/4" HB with drain	-
4	20-61040	1	End Cover 1-1/4" Hose Barb without drain	-
	20-61038	1	End Cover 90° 1-1/4" Hose Barb (units with wet exhaust elbow)	-
5	15-01132	6	Lock Washer, Helical M6	-
6	12-00072	6	Capscrew, Socket Head M6 x 1.0 x 30 mm	-
7	23-61004	1	Lifting Eye/ Gear Oil Cooler Mtg.	-
8	15-00802	2	Lock Washer, Helical M10	-
9	12-00814	2	Capscrew, Hex Head M10 x 1.5 x 35 mm	-
10	19-00056	1	Hose Clamp #56	-
11	41-01070	20"	Hose 1-1/4" ID Wire Reinforced	-
12	19-00020	2	Hose Clamp #20	-
13	27-19503	1	Tube	-

GROUP 7 - GEAR AND ADAPTER PARTS

Gear Oil Cooler Heat Exchanged Units

L1066A - H

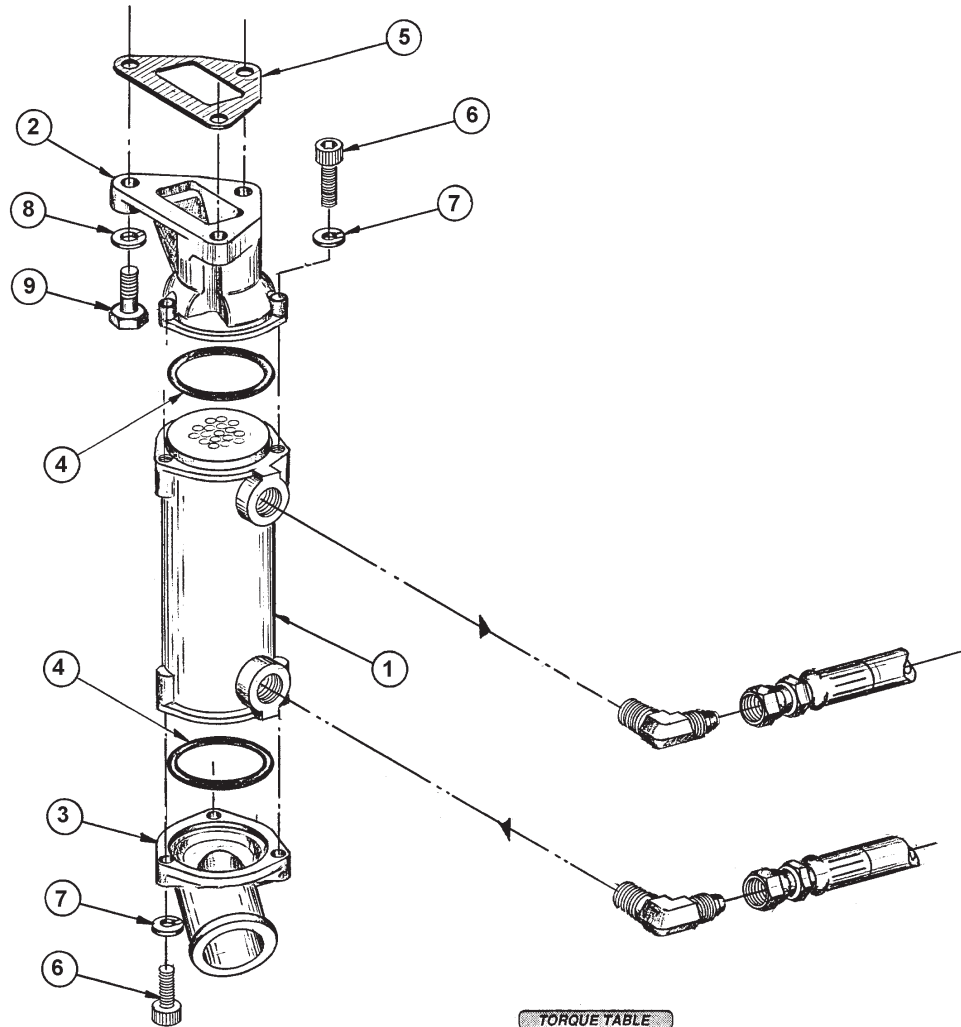


A-5005/ C-2541Aver2

KEY	PART NUMBER	QTY	DESCRIPTION	SERIAL NUMBER
1	20-62500	1	Gear Oil Cooler	-
2	16-10001	2	O-ring	-
3	20-61086	1	End Cover 1-3/4" HB with drain	-
4	20-61087	1	End Cover 1-3/4" Hose Barb without drain	-
	20-61088	1	End Cover 90° 1-1/4" Hose Barb (units with wet exhaust elbow)	-
5	15-01132	10	Lock Washer, Helical M6	-
6	12-00072	6	Capscrew, Socket Head M6 x 1.0 x 30 mm	-
7	23-69607	1	Gear Oil Cooler Mtg.	-
8	15-00802	2	Lock Washer, Helical M10	-
9	12-00816	2	Capscrew, Hex Head M10 x 1.5 x 50 mm	-
10	12-00030	4	Capscrew, Hex Head M6 x 1.0 x 16 mm	-
11	18-12511	1	Hose 1-3/4" ID x 3"	-
12	19-00028	2	Hose Clamp #28	-
13	27-69601	1	Tube	-

Gear Oil Cooler Keel Cooled Units

L1066T



TORQUE TABLE

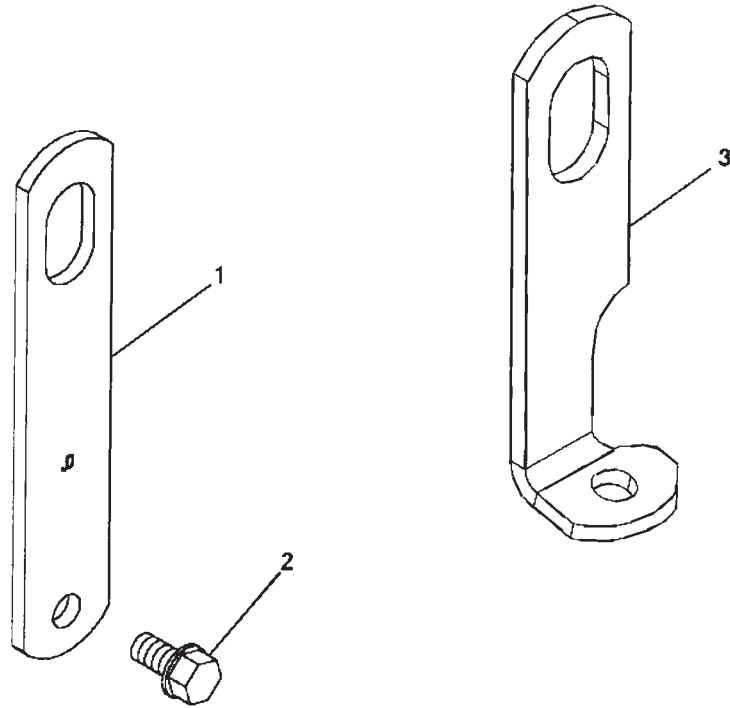
ITEM	THREAD SIZE	FT	LB	KPM
6	M6 x 1.0 SKT HD	3.8	.53	

A-4929A/ C-2529

KEY	PART NUMBER	QTY	DESCRIPTION	SERIAL NUMBER
1	20-62500	1	Gear Oil Cooler	-
2	10-12510	1	Adapter	-
3	20-61089	1	End Cover, 90° 2-3/8" Hose Barb	-
4	16-10001	2	O-ring	-
5	11-11043	1	Gasket	-
6	12-00072	6	Capscrew, Socket Head M6 x 1.0 x 30 mm	-
7	15-01132	6	Lock Washer, Helical M6	-
8	15-00302	3	Lock Washer, Helical 3/8	-
9	12-00313	3	Capscrew, Hex Head 3/8-16 x 1-1/4"	-

Notes

Engine Lifting Eyes



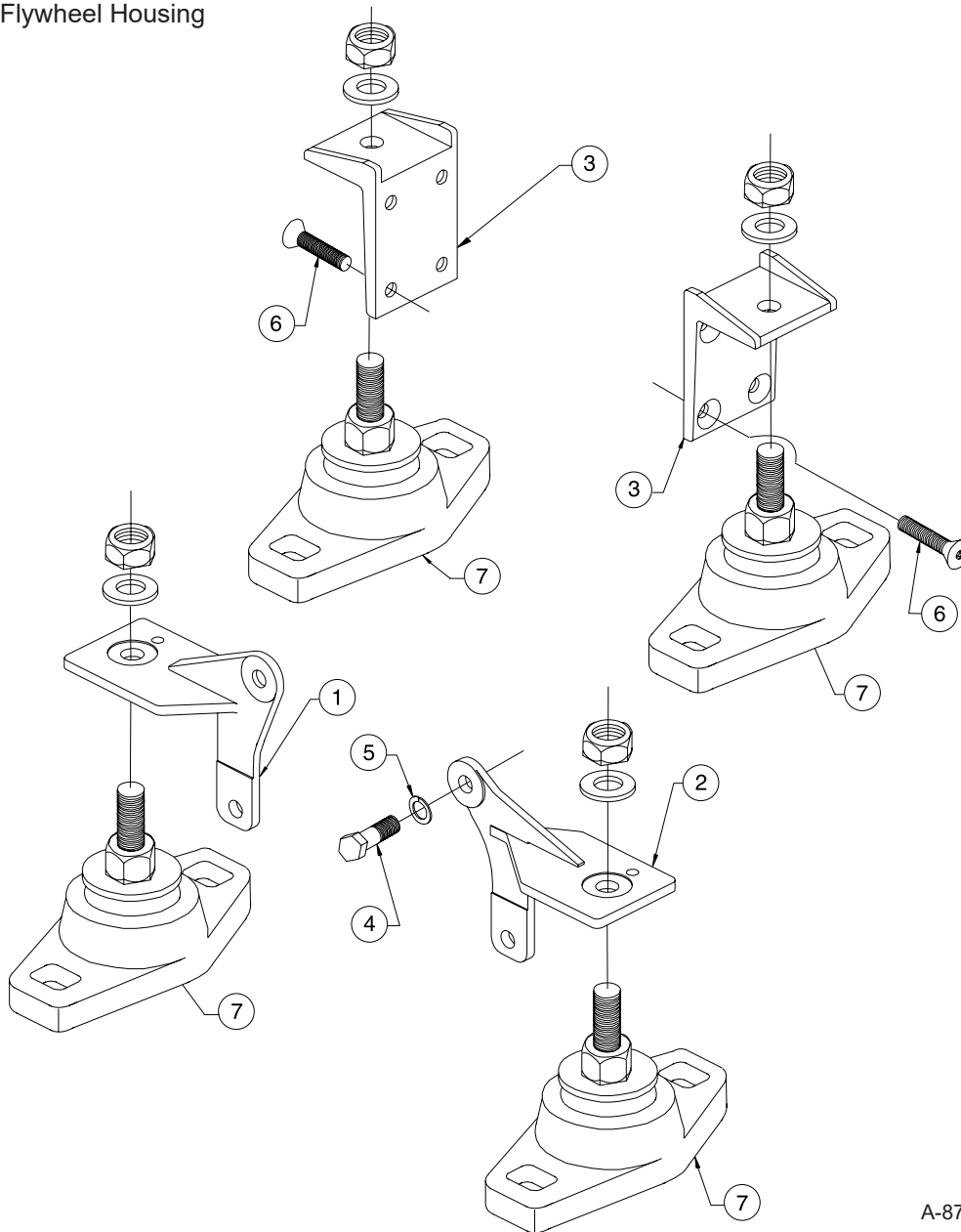
Reproduced by permission of Deere & Co., c2006. Deere & Company. All rights reserved.

RGP6944

KEY	PART NUMBER	QTY	DESCRIPTION	SERIAL NUMBER
1	R502329	1	Rear Lifting Eye	-
2	19M7788	1	Capscrew	-
3	T26508	1	Front Lifting Eye	-

Engine Mounting L1066

SAE #2 Flywheel Housing

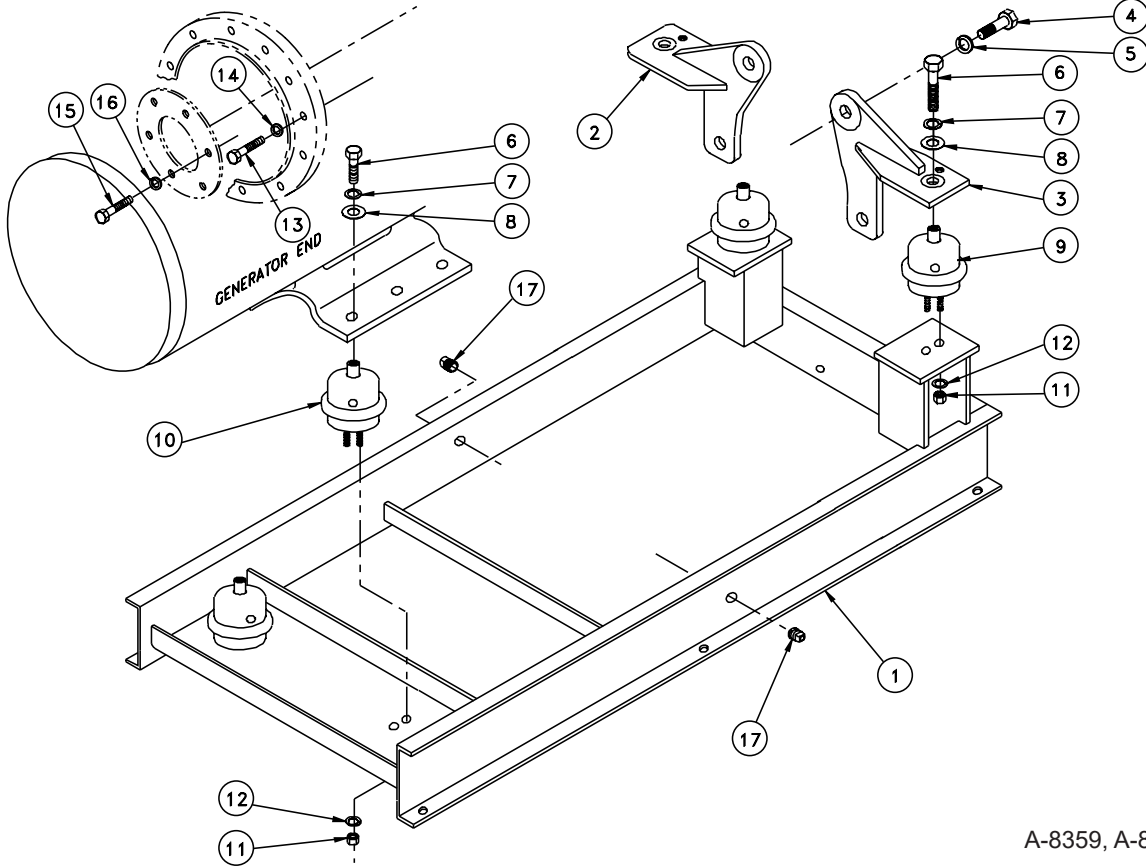


A-8904/ B-1739
A-8770, A-8889/ B-2237A

KEY	PART NUMBER	QTY	DESCRIPTION	SERIAL NUMBER
1	23-81001	1	Mounting Bracket, Engine R/H front	-
2	23-81002	1	Mounting Bracket, Engine L/H front	-
3	23-89601	2	Mounting Bracket, Rear Engine (tapped for jack screw)	-
	23-89602	2	Mounting Bracket, Rear Engine (not tapped)	-
4	12-04803	4	Capscrew, Hex Head M16 x 2.0 x 40 mm	-
5	15-01000	4	Lock Washer M16	-
6	12-10913	8	Capscrew, Flathead Socket M12 x 1.25 x 30 mm	-
7	33-74801	4	Flexible Mount	-

Base Frame with Hydrolastic Mounts

M1066T (3 Phase)



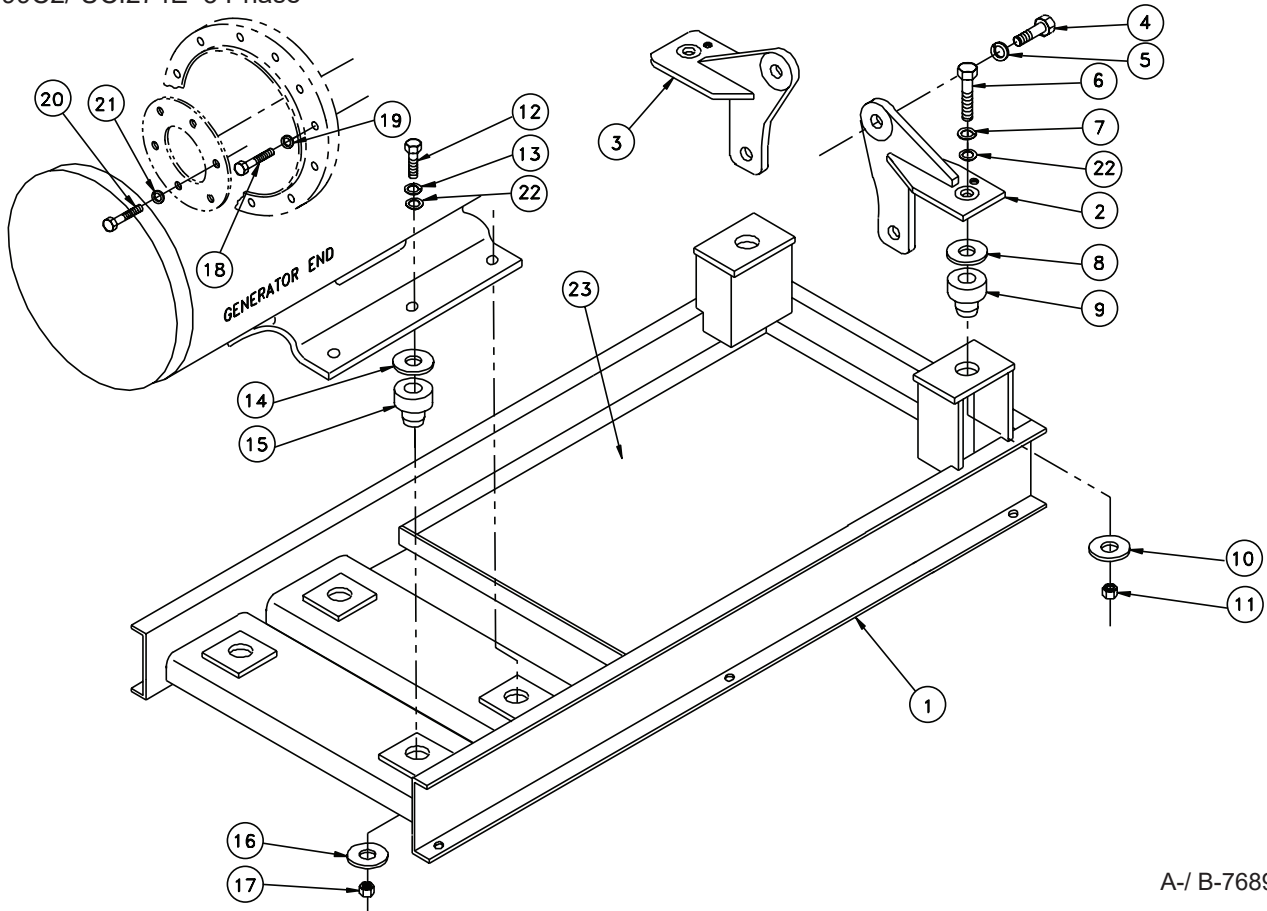
A-8359, A-8360 / B-7682

KEY	PART NUMBER	QTY	DESCRIPTION	SERIAL NUMBER
1	39-81668	1	Base Frame, Steel**	up to s/n xxxx-41727
	39-81669	1	Base Frame, Aluminum	up to s/n xxxx-41727
	39-89616	1	Base Frame, Steel	from s/n xxxx-41728
	39-89617	1	Base Frame, Aluminum	from s/n xxxx-41728
2	23-81002	1	Bracket, Front Engine Mtg., Left Hand	-
3	23-81001	1	Bracket, Front Engine Mtg., Right Hand	-
4	12-04803	4	Capscrew, Hex Head M16 x 2.0 x 40 mm	-
5	15-01000	4	Lock Washer, M16	-
6	12-00913	4	Cap Screw, Hex Head, 5/8 -11 x 1 -1/2"	-
7	15-00902	4	Lock Washer, Helical 5/8	-
8	15-00901	4	Flat Washer 5/8" USS	-
9	33-81013	2	Hydrolastic Mount 500 lbs.*	-
10	33-81015	2	Hydrolastic Mount 700 lbs.	-
11	14-00511	8	Hex Nut 1/2 -13	-
12	15-00502	8	Lock Washer, Helical 1/2"	-
13	12-00814	12	Capscrew, Hex Head, M10 x 1.5 x 35 mm	-
14	15-00802	12	Lock Washer, Helical M10	-
15	12-00332	8	Capscrew, Hex Head, 3/8 -16 x 1" Grade 8	-
16	15-00307	8	Flat Washer, 3/8" Hardened	-
17	21-00530	2	Plug, Hex Head, Brass 1/2 NPT	-
<p>* Note: Mounts listed are for units without front PTO and are stamped #16 on upper portion of housing. Mounts provided on applications with PTO are stamped #17. Contact dealer or factory for part numbers required. Have unit serial # available.</p> <p>**39-81668 retained for fuel tank mounted emergency gen-sets. Check unit build list by serial number.</p>				

GROUP 8 - BASE FRAME AND MOUNTING

Base Frame with Centerbonded Mounts

M99C2/ UCI274E 3 Phase

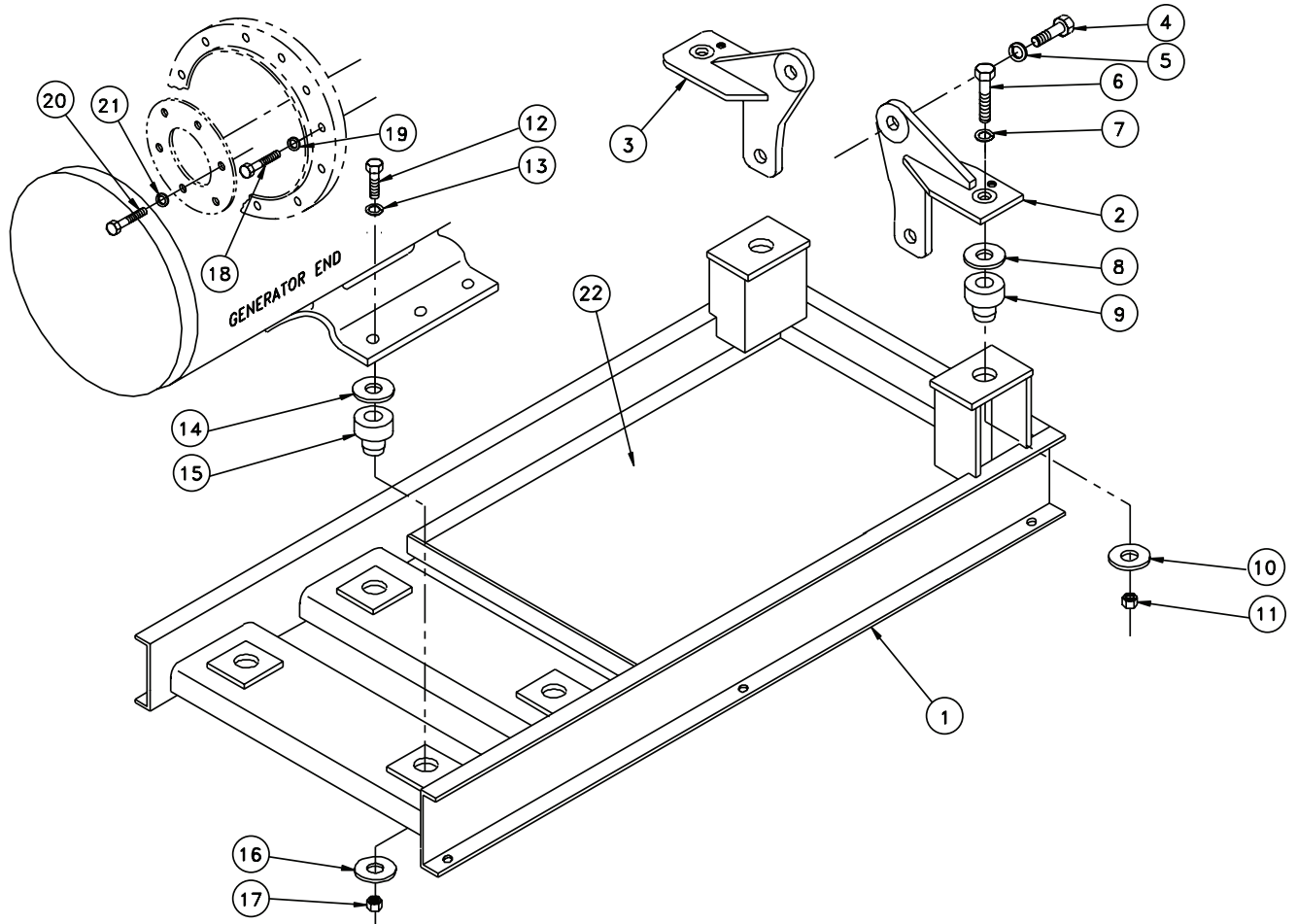


A-/ B-7689

KEY	PART NUMBER	QTY	DESCRIPTION	SERIAL NUMBER
1	39-89601	1	Base Frame, Steel	-
	39-89603	1	Base Frame, Aluminum	-
2	23-81001	1	Bracket, Front Engine Mtg., Right Hand	-
3	23-81002	1	Bracket, Front Engine Mtg., Left Hand	-
4	12-04803	4	Capscrew, Hex Head M16 x 2.0 x 40 mm	-
5	15-01000	4	Lock Washer, M16	-
6	12-00034	2	Capscrew, Hex Head, 5/8-18 x 3-1/2"	-
7	15-00901	2	Flat Washer, 5/8" USS	-
8	15-00015	2	Head Washer	-
9	33-81002	2	Centerbonded Mount 500 Lbs.	-
10	15-00025	2	Tail Washer	-
11	14-00912	2	Hex Nut, Nylock 5/8- 18	-
12	12-00550	4	Capscrew, Hex Head, 1/2 -13 x 3"	-
13	15-00501	4	Flat Washer, 1/2" USS	-
14	15-00016	4	Head Washer	-
15	33-81054	4	Centerbonded Mount 400 Lbs.	-
16	15-00026	4	Tail Washer	-
17	14-00512	4	Hex Nut, Nylock 1/2 -13	-
18	12-00814	12	Capscrew, Hex Head, M10 x 1.5 x 35 mm	-
19	15-00802	12	Lock Washer, Helical M10	-
20	12-00332	8	Capscrew, Hex Head, 3/8 -16 x 1" Grade 8	-
21	15-00307	8	Flat Washer, 3/8" Hardened	-
22	15-00502	4	Lock Washer, Helical 1/2"	-
23	39-01002	1	Drip Pan (optional)	-

Base Frame with Centerbonded Mounts

M99C2/ UCI274G 1 Phase



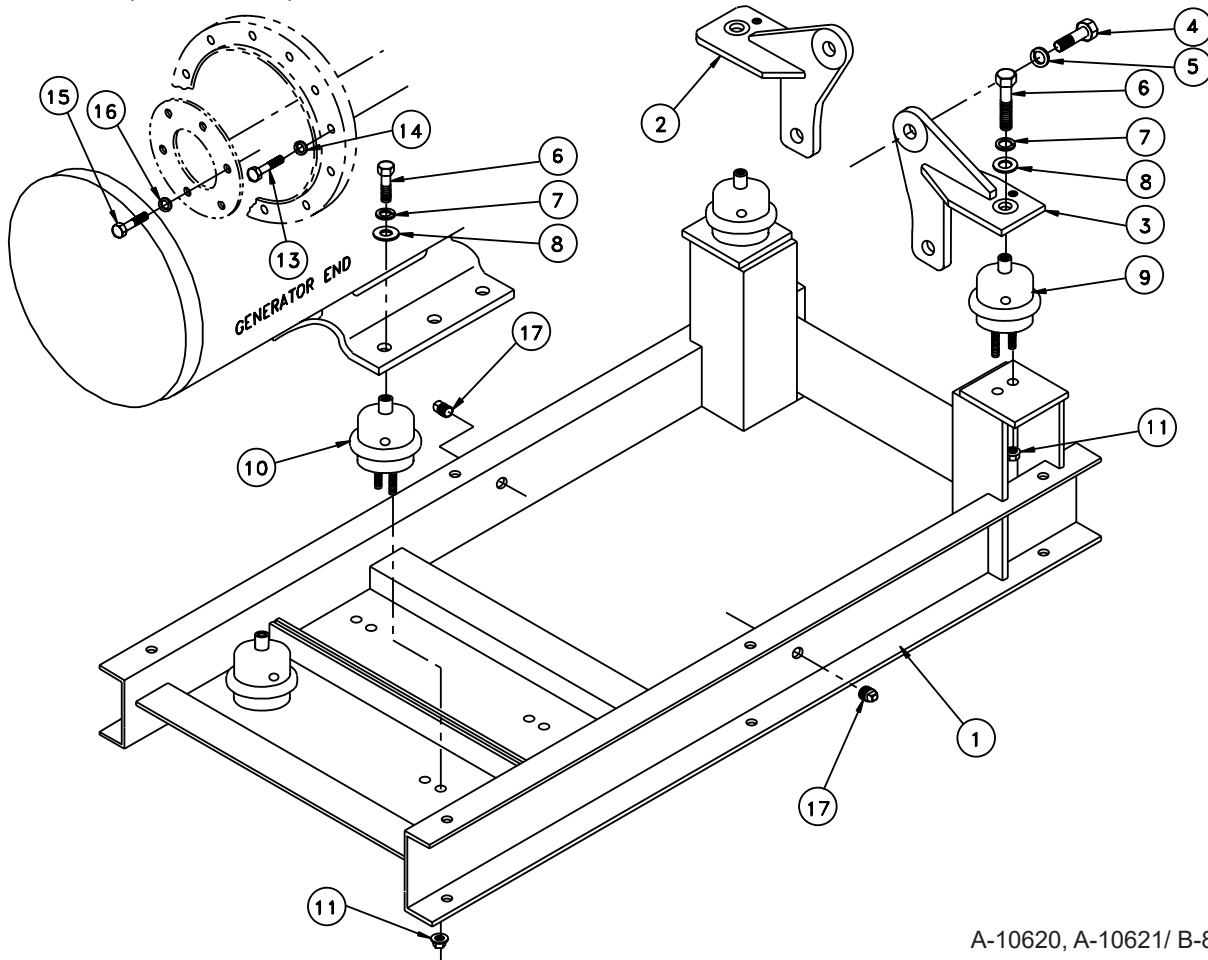
A-8688A/ B-7689

KEY	PART NUMBER	QTY	DESCRIPTION	SERIAL NUMBER
1	39-81654	1	Base Frame, Steel	-
2	23-81001	1	Bracket, Front Engine Mtg., Right Hand	-
3	23-81002	1	Bracket, Front Engine Mtg., Left Hand	-
4	12-04803	4	Capscrew, Hex Head M16 x 2.0 x 40 mm	-
5	15-01000	4	Lock Washer, M16	-
6	12-00034	2	Capscrew, Hex Head, 5/8-18 x 3-1/2"	-
7	15-00901	2	Flat Washer, 5/8" USS	-
8	15-00015	2	Head Washer	-
9	33-81002	2	Centerbonded Mount 500 Lbs.	-
10	15-00025	2	Tail Washer	-
11	14-00912	2	Hex Nut, Nylock 5/8- 18	-
12	12-00034	4	Capscrew, Hex Head, 5/8- 11 x 3- 1/2"	-
13	15-01330	4	Flat Washer, 5/8" SAE	-
14	15-00015	4	Head Washer	-
15	33-81002	4	Centerbonded Mount 500 Lbs.	-
16	15-00025	4	Tail Washer	-
17	14-00912	4	Hex Nut, Nylock 5/8- 11	-
18	12-00814	12	Capscrew, Hex Head, M10 x 1.5 x 35 mm	-
19	15-00802	12	Lock Washer, Helical M10	-
20	12-00332	8	Capscrew, Hex Head, 3/8 -16 x 1" Grade 8	-
21	15-00307	8	Flat Washer, 3/8"/ M10 Hardened	-
22	39-01002	1	Drip Pan (optional)	-

GROUP 8 - BASE FRAME AND MOUNTING

Base Frame with Hydrolastic Mounts

M1066T, A1 (431PSL6202)

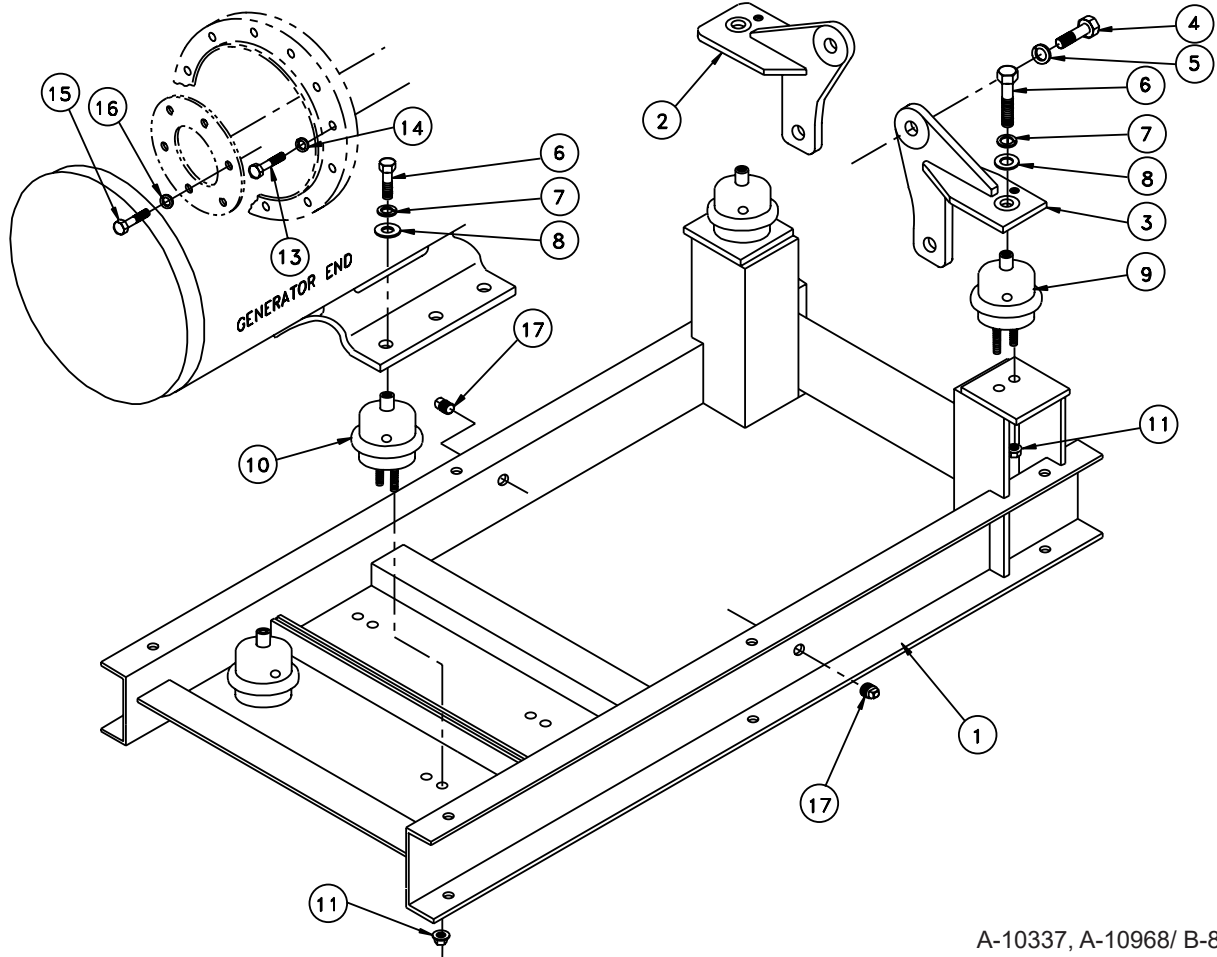


A-10620, A-10621/ B-8954

KEY	PART NUMBER	QTY	DESCRIPTION	SERIAL NUMBER
1	39-89606	1	Base Frame, Steel	-
	39-89607	1	Base Frame, Aluminum	-
2	23-81002	1	Bracket, Front Engine Mtg., Left Hand	-
3	23-81001	1	Bracket, Front Engine Mtg., Right Hand	-
4	12-04803	4	Capscrew, Hex Head M16 x 2.0 x 40 mm	-
5	15-01000	4	Lock Washer, M16	-
6	12-00913	4	Capscrew, Hex Head, 5/8-11 x 1-1/2"	-
7	15-00902	4	Lock Washer, Helical 5/8	-
8	15-00901	6	Flat Washer 5/8" USS	-
9	33-81014	2	Hydrolastic Mount 600 lbs.*	-
10	33-81012	4	Hydrolastic Mount 400 lbs.	-
11	14-00502	12	Lock Nut, Flanged 1/2- 13	-
13	12-00832	12	Capscrew, Hex Head M10 x 1.5 x 30 mm	-
14	15-00803	12	Lock Washer, Helical M10	-
15	12-00332	8	Capscrew, Hex Head 3/8- 16 x 1" (Grade 8)	-
16	15-00307	8	Flat Washer, 3/8, M10 Hardened	-
17	21-00530	2	Plug, Hex Head Brass 1/2 NPT	-
<p>*Note: Mounts listed are for units without front PTO and are stamped #16 on upper portion of housing. Mounts provided on applications with PTO are stamped #17.</p>				

Base Frame with Hydrolastic Mounts

M1066A1, A2, A3, H (431PSL6204 to 6208)



A-10337, A-10968/ B-8954

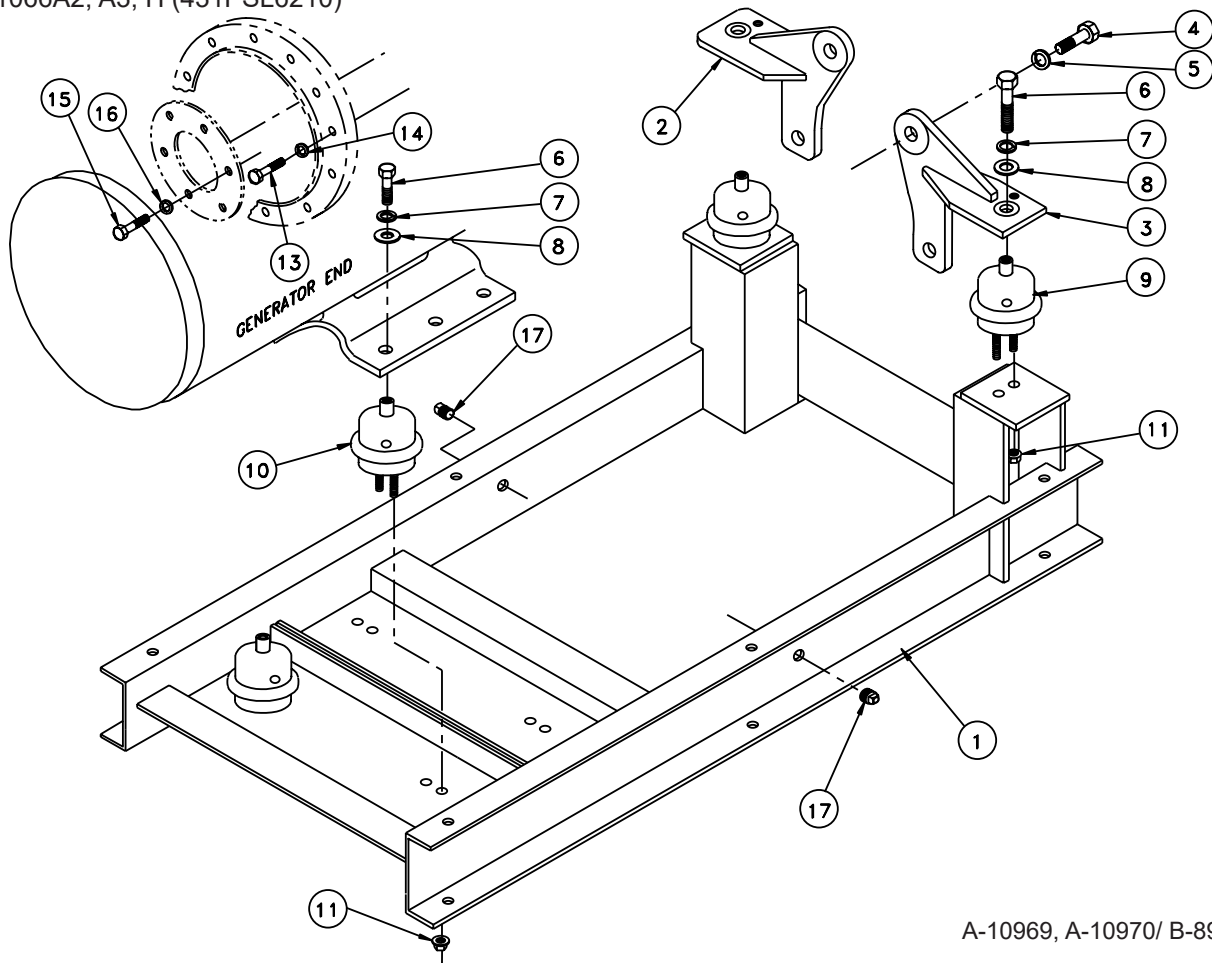
KEY	PART NUMBER	QTY	DESCRIPTION	SERIAL NUMBER
1	39-89606	1	Base Frame, Steel	-
	39-89607	1	Base Frame, Aluminum	-
2	23-81002	1	Bracket, Front Engine Mtg., Left Hand	-
3	23-81001	1	Bracket, Front Engine Mtg., Right Hand	-
4	12-04803	4	Capscrew, Hex Head M16 x 2.0 x 40 mm	-
5	15-01000	4	Lock Washer, M16	-
6	12-00913	4	Capscrew, Hex Head, 5/8-11 x 1-1/2"	-
7	15-00902	4	Lock Washer, Helical 5/8	-
8	15-00901	6	Flat Washer 5/8" USS	-
9	33-81014	2	Hydrolastic Mount 600 lbs.*	-
10	33-81013	4	Hydrolastic Mount 500 lbs.	-
11	14-00502	12	Lock Nut, Flanged 1/2- 13	-
13	12-00832	12	Capscrew, Hex Head M10 x 1.5 x 30 mm	-
15	12-00332	8	Capscrew, Hex Head 3/8- 16 x 1" (Grade 8)	-
16	15-00307	8	Flat Washer, 3/8, M10 Hardened	-
17	21-00530	2	Plug, Hex Head Brass 1/2 NPT	-

*Note: Mounts listed are for units without front PTO and are stamped #16 on upper portion of housing. Mounts provided on applications with PTO are stamped #17.

GROUP 8 - BASE FRAME AND MOUNTING

Base Frame with Hydrolastic Mounts

M1066A2, A3, H (431PSL6210)

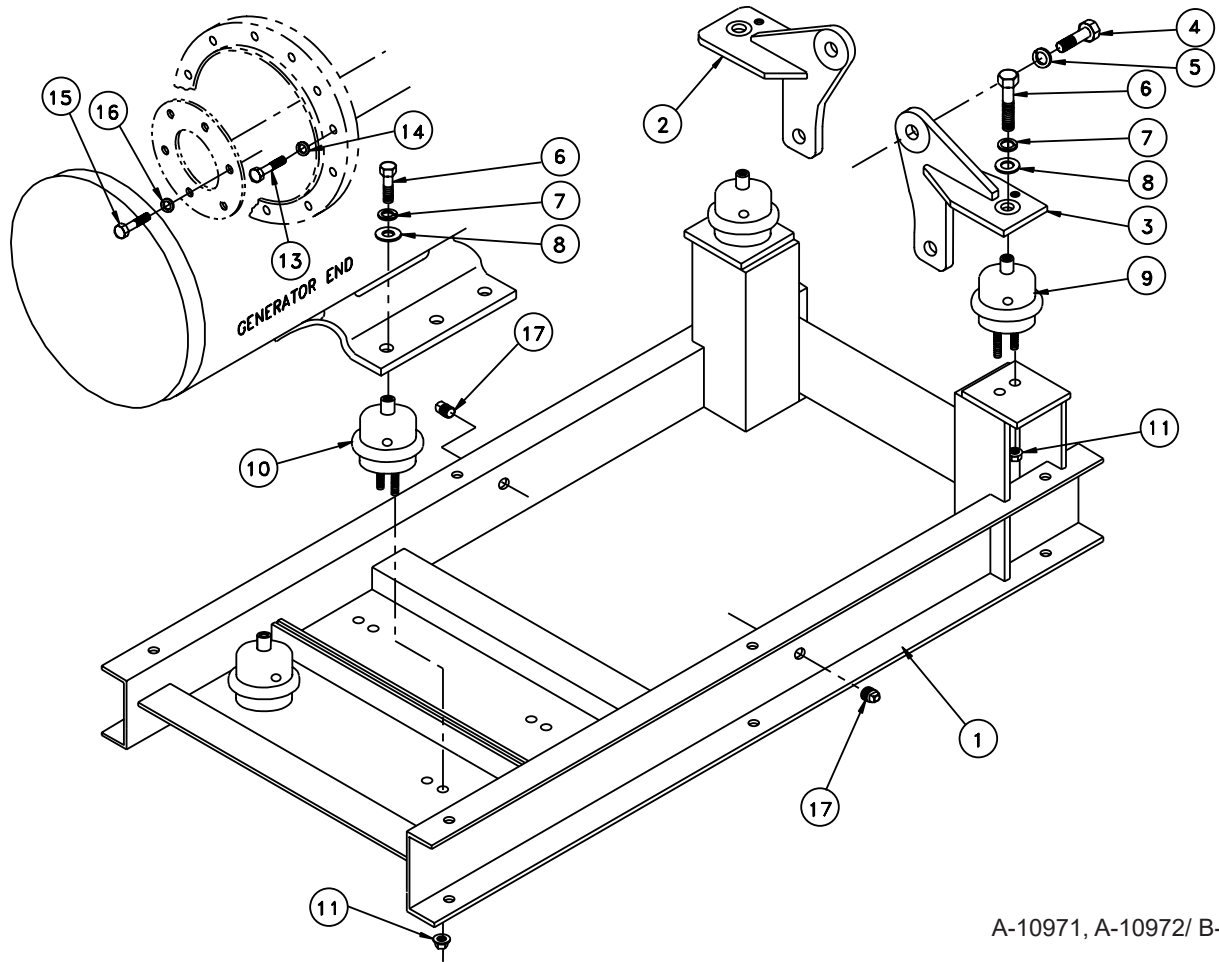


A-10969, A-10970/ B-8954

KEY	PART NUMBER	QTY	DESCRIPTION	SERIAL NUMBER
1	39-89606	1	Base Frame, Steel	-
	39-89607	1	Base Frame, Aluminum	-
2	23-81002	1	Bracket, Front Engine Mtg., Left Hand	-
3	23-81001	1	Bracket, Front Engine Mtg., Right Hand	-
4	12-04803	4	Capscrew, Hex Head M16 x 2.0 x 40 mm	-
5	15-01000	4	Lock Washer, M16	-
6	12-00913	4	Capscrew, Hex Head, 5/8-11 x 1-1/2"	-
7	15-00902	4	Lock Washer, Helical 5/8	-
8	15-00901	6	Flat Washer 5/8" USS	-
9	33-81014	2	Hydrolastic Mount 600 lbs.*	-
10	33-81014	4	Hydrolastic Mount 600 lbs.	-
11	14-00502	12	Lock Nut, Flanged 1/2- 13	-
13	12-00832	12	Capscrew, Hex Head M10 x 1.5 x 30 mm	-
14	15-00803	12	Lock Washer, Helical M10	-
15	12-00332	8	Capscrew, Hex Head 3/8- 16 x 1" (Grade 8)	-
16	15-00307	8	Flat Washer, 3/8, M10 Hardened	-
17	21-00530	2	Plug, Hex Head Brass 1/2 NPT	-
<p>*Note: Mounts listed are for units without front PTO and are stamped #16 on upper portion of housing. Mounts provided on applications with PTO are stamped #17.</p>				

Base Frame with Hydrolastic Mounts

M1066H (433RSL4021)



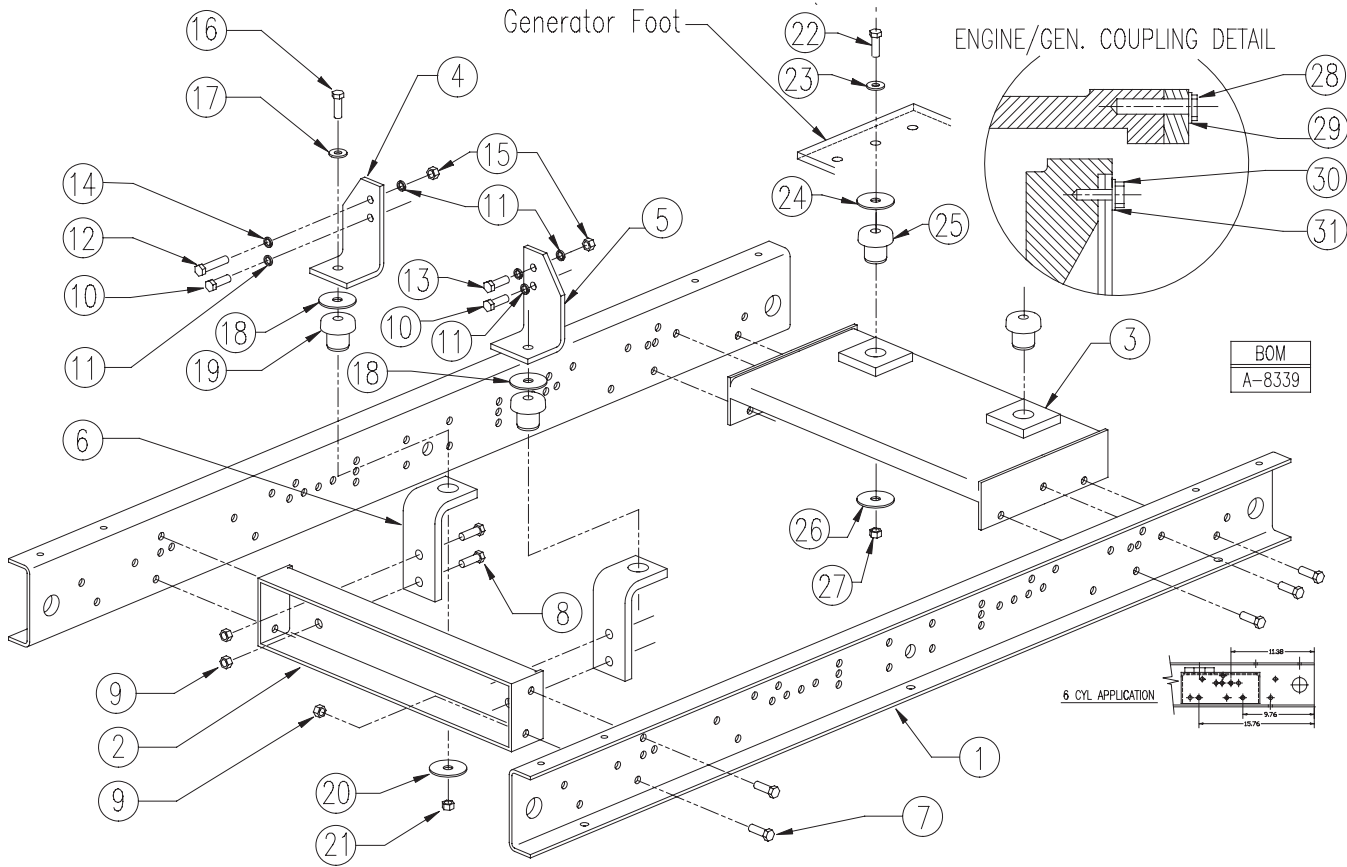
A-10971, A-10972/ B-8954

KEY	PART NUMBER	QTY	DESCRIPTION	SERIAL NUMBER
1	39-89606	1	Base Frame, Steel	-
	39-89607	1	Base Frame, Aluminum	-
2	23-81002	1	Bracket, Front Engine Mtg., Left Hand	-
3	23-81001	1	Bracket, Front Engine Mtg., Right Hand	-
4	12-04803	4	Capscrew, Hex Head M16 x 2.0 x 40 mm	-
5	15-01000	4	Lock Washer, M16	-
6	12-00913	4	Capscrew, Hex Head, 5/8-11 x 1-1/2"	-
7	15-00902	4	Lock Washer, Helical 5/8	-
8	15-00901	6	Flat Washer 5/8" USS	-
9	33-81014	2	Hydrolastic Mount 600 lbs.*	-
10	33-81017	4	Hydrolastic Mount 800 lbs.	-
11	14-00502	12	Lock Nut, Flanged 1/2- 13	-
13	12-00832	12	Capscrew, Hex Head M10 x 1.5 x 30 mm	-
14	15-00803	12	Lock Washer, M10	-
15	12-00332	8	Capscrew, Hex Head 3/8- 16 x 1" (Grade 8)	-
16	15-00307	8	Flat Washer, 3/8/ M10 Hardened	-
17	21-00530	2	Plug, Hex Head Brass 1/2 NPT	-
<p>*Note: Mounts listed are for units without front PTO and are stamped #16 on upper portion of housing. Mounts provided on applications with PTO are stamped #17.</p>				

GROUP 8 - BASE FRAME AND MOUNTING

Base Frame

NL1066T / UCI 274 Generator



A-8339A/ D-3180A

GROUP 8 - BASE FRAME AND MOUNTING

Base Frame

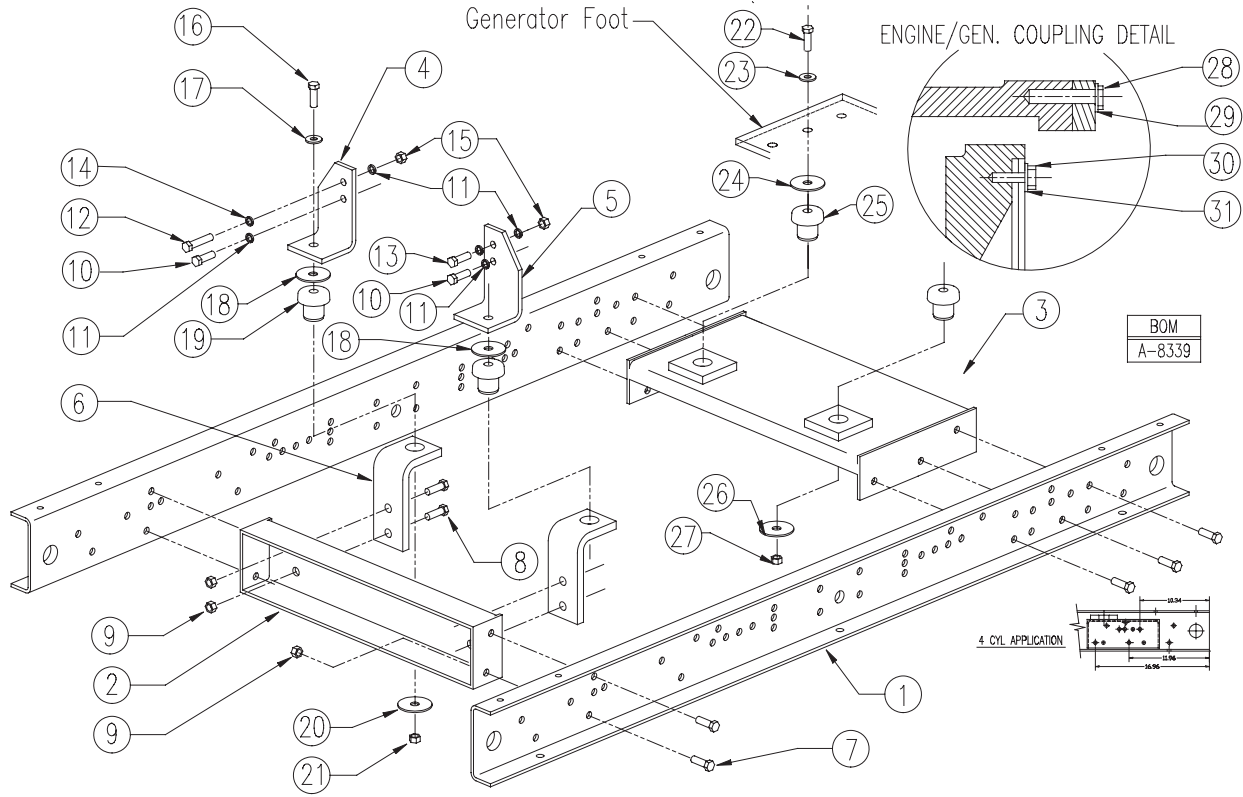
NL1066T / UCI 274 Generator

KEY	PART NUMBER	QTY	DESCRIPTION	SERIAL NUMBER
1	39-81002	2	Side Rail, Modular Base Frame	-
2	39-81014	1	Engine Support, Modular Base Frame	-
3	39-61601	1	Support, UCI274 Generator, Modular Base Frame	-
4	23-81035	1	Bracket, Front Engine Mtg. Right Hand	-
5	23-81036	1	Bracket, Front Engine Mtg. Left Hand	-
6	23-81037	2	Bracket, Engine Support	-
7	12-80513	10	Capscrew, Hex Head Flanged 1/2- 13 x 1- 1/4"	-
8	12-80514	4	Capscrew, Hex Head Flanged 1/2- 13 x 1- 1/2"	-
9	14-00502	14	Lock Nut, Plain Flanged 1/2- 13	-
10	12-04803	2	Capscrew, Hex Head M16 x 2.0 x 40 mm	-
11	15-01000	4	Lock Washer, Helical M16	-
12	12-01512	1	Capscrew, Hex Head M16 x 2.0 x 70 mm (Grade 8.8)	-
13	12-01504	1	Capscrew, Hex Head M16 x 2.0 x 60 mm	-
14	01643-31645	2	Flat Washer M16	-
15	14-01432	2	Hex Nut M16 x 2.0	-
16	12-00034	2	Capscrew, Hex Head 5/8- 11 x 3- 1/2"	-
17	15-01330	2	Flat Washer 5/8" SAE	-
18	15-00015	2	Head Washer	-
19	33-81002	2	Mount, Centerbonded 500 lbs.	-
20	15-00025	2	Tail Washer	-
21	14-00912	2	Hex Nut, Nylock	-
22	12-01222	2	Capscrew, Hex Head 3/4- 10 x 4"	-
23	15-01211	2	Flat Washer 3/4"	-
24	15-85000	2	Head Washer	-
25	33-81011	2	Mount, Centerbonded 800 lbs.	-
26	15-85001	2	Tail Washer	-
27	14-01212	2	Hex Nut, Nylock 3/4- 10	-
28	12-00814	12	Capscrew, Hex Head M10 x 1.5 x 35 mm	-
29	15-00802	12	Lock Washer, Helical M10	-
30	12-00332	8	Capscrew, Hex Head 3/8- 16 x 1"	-
31	15-00307	8	Flat Washer 3/8", M10 Hardened	-

GROUP 8 - BASE FRAME AND MOUNTING

Base Frame

NL1066H & NL1064H2 @60Hz



A-8339A/ D-3180-2A

GROUP 8 - BASE FRAME AND MOUNTING

Base Frame

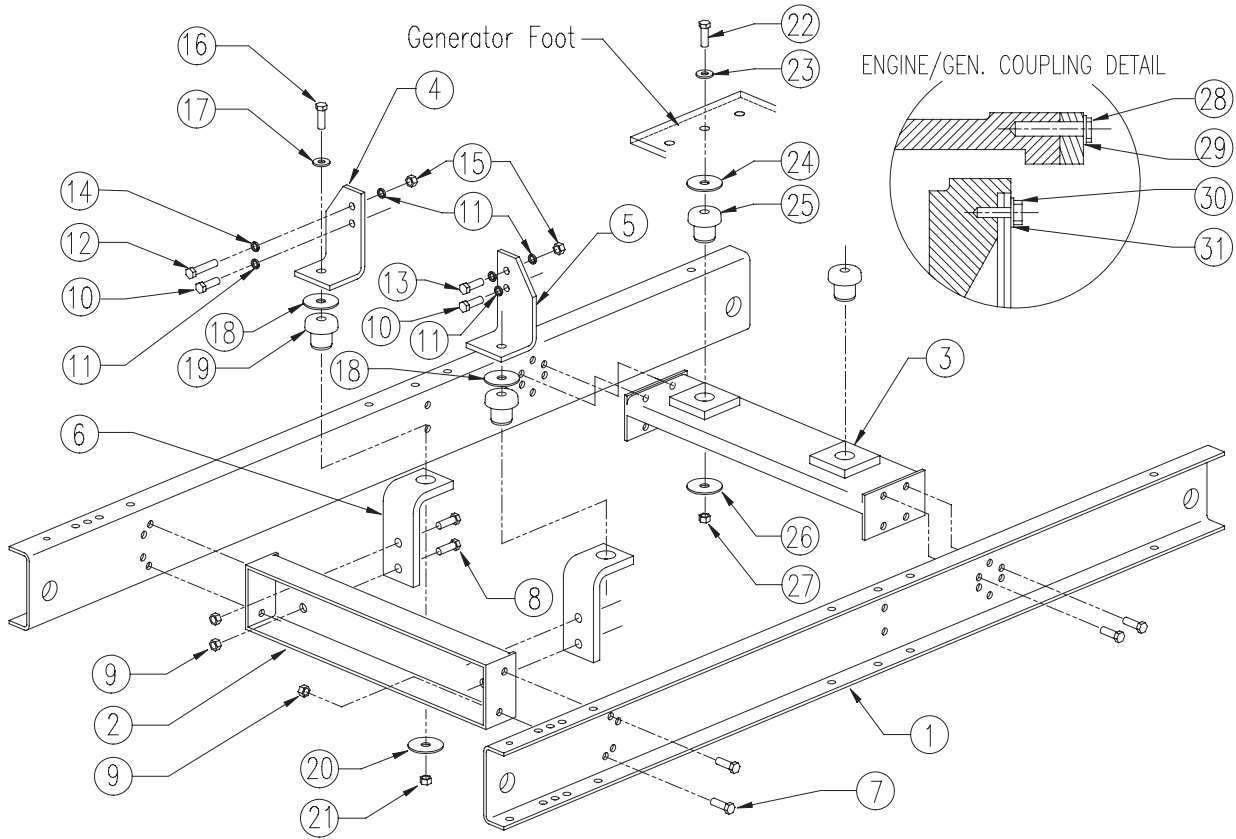
NL1066H & NL1064H2 @60Hz

KEY	PART NUMBER	QTY	DESCRIPTION	SERIAL NUMBER
1	39-81002	2	Side Rail, Modular Base Frame	-
2	39-81014	1	Engine Support, Modular Base Frame	-
3	39-61601	1	Support, UCI274 Generator, Modular Base Frame	-
4	23-81035	1	Bracket, Front Engine Mtg. Right Hand	-
5	23-81036	1	Bracket, Front Engine Mtg. Left Hand	-
6	23-81037	2	Bracket, Engine Support	-
7	12-80513	10	Capscrew, Hex Head Flanged 1/2- 13 x 1- 1/4"	-
8	12-80514	4	Capscrew, Hex Head Flanged 1/2- 13 x 1- 1/2"	-
9	14-00502	14	Lock Nut, Plain Flanged 1/2- 13	-
10	12-04803	2	Capscrew, Hex Head M16 x 2.0 x 40 mm	-
11	15-01000	4	Lock Washer, Helical M16	-
12	12-01512	1	Capscrew, Hex Head M16 x 2.0 x 70 mm (Grade 8.8)	-
13	12-01504	1	Capscrew, Hex Head M16 x 2.0 x 60 mm	-
14	01643-31645	2	Flat Washer M16	-
15	14-01432	2	Hex Nut M16 x 2.0	-
16	12-00034	2	Capscrew, Hex Head 5/8- 11 x 3- 1/2"	-
17	15-01330	2	Flat Washer 5/8" SAE	-
18	15-00015	2	Head Washer	-
19	33-81002	2	Mount, Centerbonded 500 lbs.	-
20	15-00025	2	Tail Washer	-
21	14-00912	2	Hex Nut, Nylock	-
22	12-01222	2	Capscrew, Hex Head 3/4- 10 x 4"	-
23	15-01211	2	Flat Washer 3/4"	-
24	15-85000	2	Head Washer	-
25	33-81011	2	Mount, Centerbonded 800 lbs.	-
26	15-85001	2	Tail Washer	-
27	14-01212	2	Hex Nut, Nylock 3/4- 10	-
28	12-00814	12	Capscrew, Hex Head M10 x 1.5 x 35 mm	-
29	15-00802	12	Lock Washer, Helical M10	-
30	12-00332	8	Capscrew, Hex Head 3/8- 16 x 1"	-
31	15-00307	8	Flat Washer 3/8", M10 Hardened	-

GROUP 8 - BASE FRAME AND MOUNTING

Base Frame

NL1066T / M363 Generator



A-8339A/ D-3180A

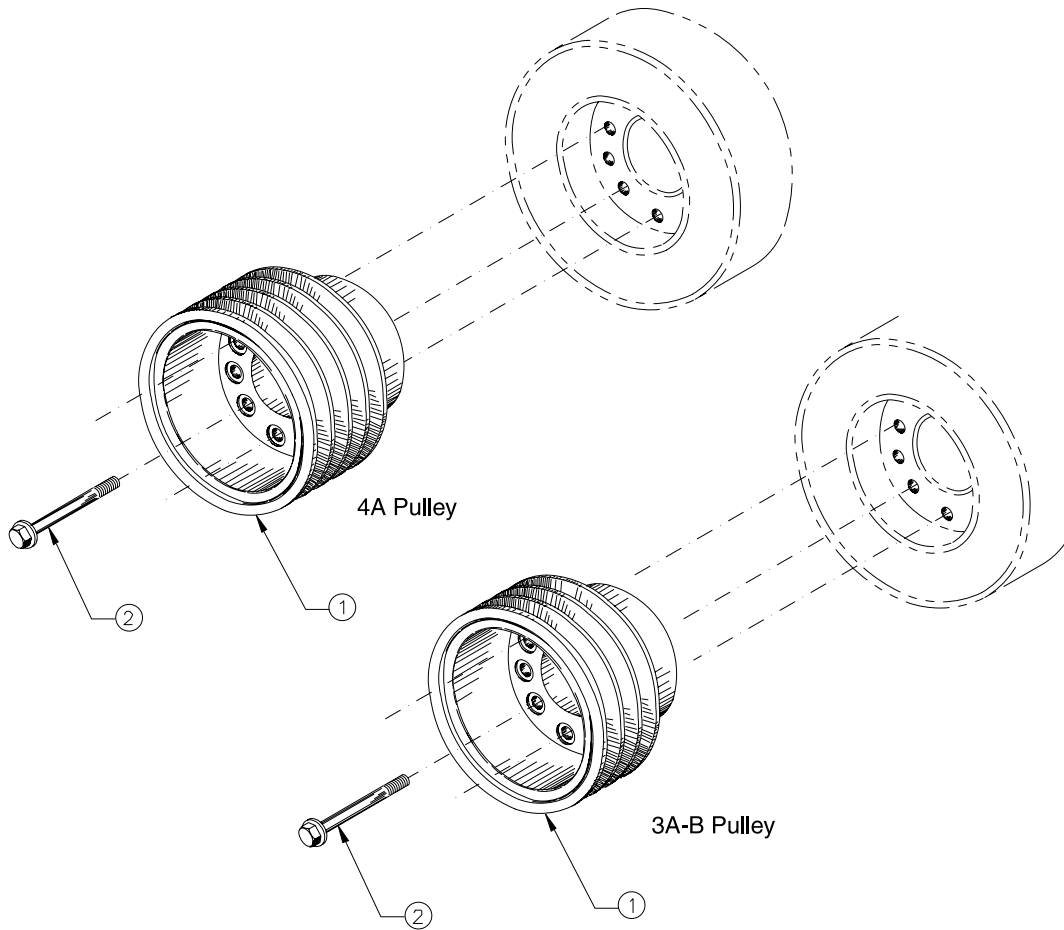
GROUP 8 - BASE FRAME AND MOUNTING

Base Frame

NL1066T / M363 Generator

KEY	PART NUMBER	QTY	DESCRIPTION	SERIAL NUMBER
1	39-81002	2	Side Rail, Modular Base Frame	-
2	39-81014	1	Engine Support, Modular Base Frame	-
3	39-81046	1	Support, M363 Generator, Modular Base Frame	-
4	23-81035	1	Bracket, Front Engine Mtg. Right Hand	-
5	23-81036	1	Bracket, Front Engine Mtg. Left Hand	-
6	23-81037	2	Bracket, Engine Support	-
7	12-80513	10	Capscrew, Hex Head Flanged 1/2- 13 x 1- 1/4"	-
8	12-80514	4	Capscrew, Hex Head Flanged 1/2- 13 x 1- 1/2"	-
9	14-00502	14	Lock Nut, Plain Flanged 1/2- 13	-
10	12-04803	2	Capscrew, Hex Head M16 x 2.0 x 40 mm	-
11	15-01000	4	Lock Washer, Helical M16	-
12	12-01512	1	Capscrew, Hex Head M16 x 2.0 x 70 mm (Grade 8.8)	-
13	12-01504	1	Capscrew, Hex Head M16 x 2.0 x 60 mm	-
14	01643-31645	2	Flat Washer M16	-
15	14-01432	2	Hex Nut M16 x 2.0	-
16	12-00034	2	Capscrew, Hex Head 5/8- 11 x 3- 1/2"	-
17	15-01330	2	Flat Washer 5/8" SAE	-
18	15-00015	2	Head Washer	-
19	33-81002	2	Mount, Centerbonded 500 lbs.	-
20	15-00025	2	Tail Washer	-
21	14-00912	2	Hex Nut, Nylock	-
22	12-01222	2	Capscrew, Hex Head 3/4- 10 x 4"	-
23	15-01211	2	Flat Washer 3/4"	-
24	15-85000	2	Head Washer	-
25	33-81011	2	Mount, Centerbonded 800 lbs.	-
26	15-85001	2	Tail Washer	-
27	14-01212	2	Hex Nut, Nylock 3/4- 10	-
28	12-00814	12	Capscrew, Hex Head M10 x 1.5 x 35 mm	-
29	15-00802	12	Lock Washer, Helical M10	-
30	12-00332	8	Capscrew, Hex Head 3/8- 16 x 1"	-
31	15-00307	8	Flat Washer 3/8" / M10 Hardened	-

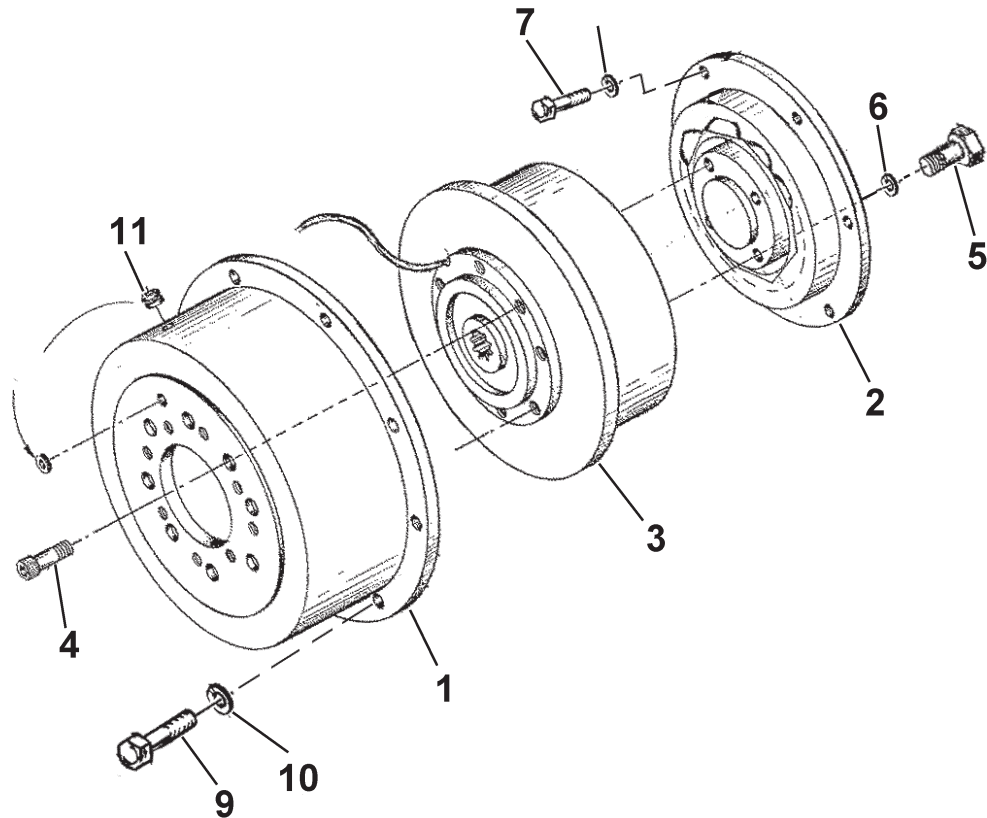
Crankshaft Pulley



A-10446, A-10447, A-10449, A-10448/ C-2723z

KEY	PART NUMBER	QTY	DESCRIPTION	SERIAL NUMBER
1	34-69501	1	Crankshaft Pulley 4-A x 8"	-
	34-69502	1	Crankshaft Pulley 3-A/B x 8"	-
2	01435-01065	6	Capscrew, Hex Head Flanged M10 x 1.5 x 65 mm	-
	19M7811	6	Capscrew, Hex Head Flanged M10 x 1.5 x 90 mm (Dual Dampers)	-

MMC-44 Electric Clutch

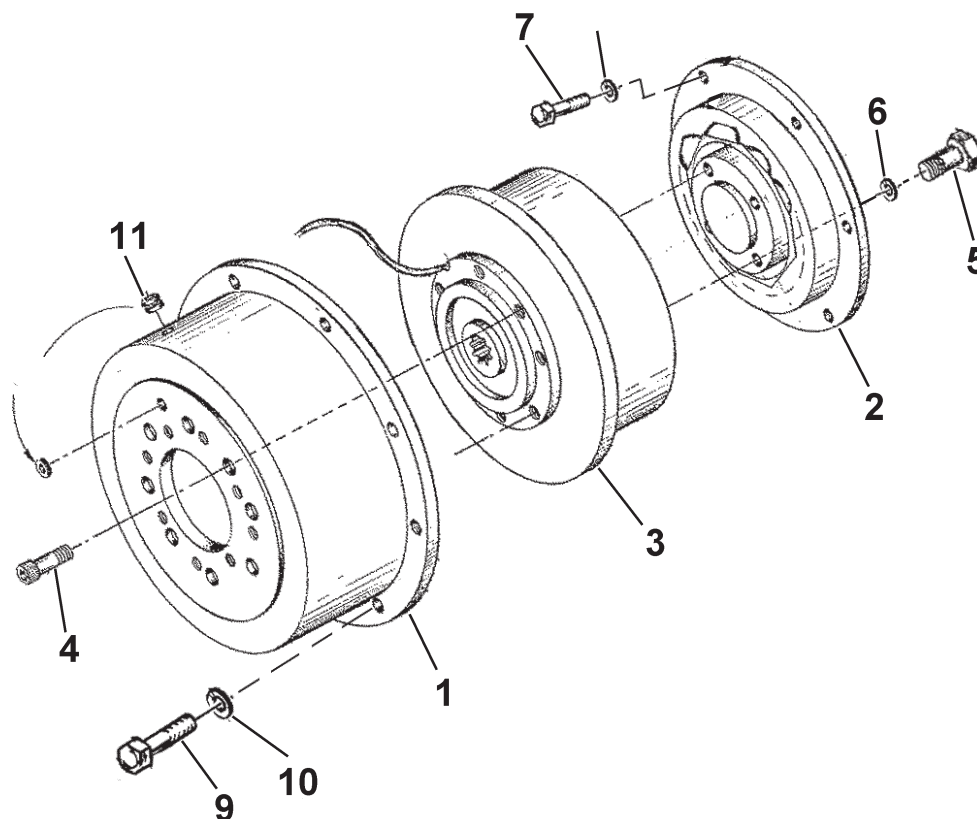


A-10450, A-10451, A-10453, A-10452/ C-2235

KEY	PART NUMBER	QTY	DESCRIPTION	SERIAL NUMBER
1	10-60016	1	Housing, Electric Clutch SAE #5 C-Pad	-
2	34-69512	1	Drive Assembly (Former #34-61455)	-
3	34-60036	1	Electric Clutch, H-44 12V C - Spline	-
	34-60037	1	Electric Clutch, H-44 24V C - Spline	-
4	12-00035	8	Capscrew, Socket Head 3/8-16 x 3/4"	-
5	12-60001	4	Capscrew, Hex Head 7/16-20 x 1-1/4"	-
6	15-00404	4	Flat Washer 7/16"	-
7	12-00312	6	Capscrew, Hex Head 3/8-16 x 1"	-
8	15-00321	6	Flat Washer 3/8" SAE	-
9	12-20319	8	Capscrew, Socket Head 3/8-16 x 2-3/4" (for 40 mm spacer)	-
	12-20320	8	Capscrew, Socket Head 3/8-16 x 3-1/2" (for 2.23" spacer)	-
	12-20324	8	Capscrew, Socket Head 3/8-16 x 4" (for 3" spacer)	-
10	15-00300	8	Flat Washer 3/8"	-
11	00-61003	1	Grommet	-
12	00-40025	1	Plug	-

GROUP 9 - ACCESSORIES & OPTIONAL EQUIPMENT

MMC-100 Electric Clutch

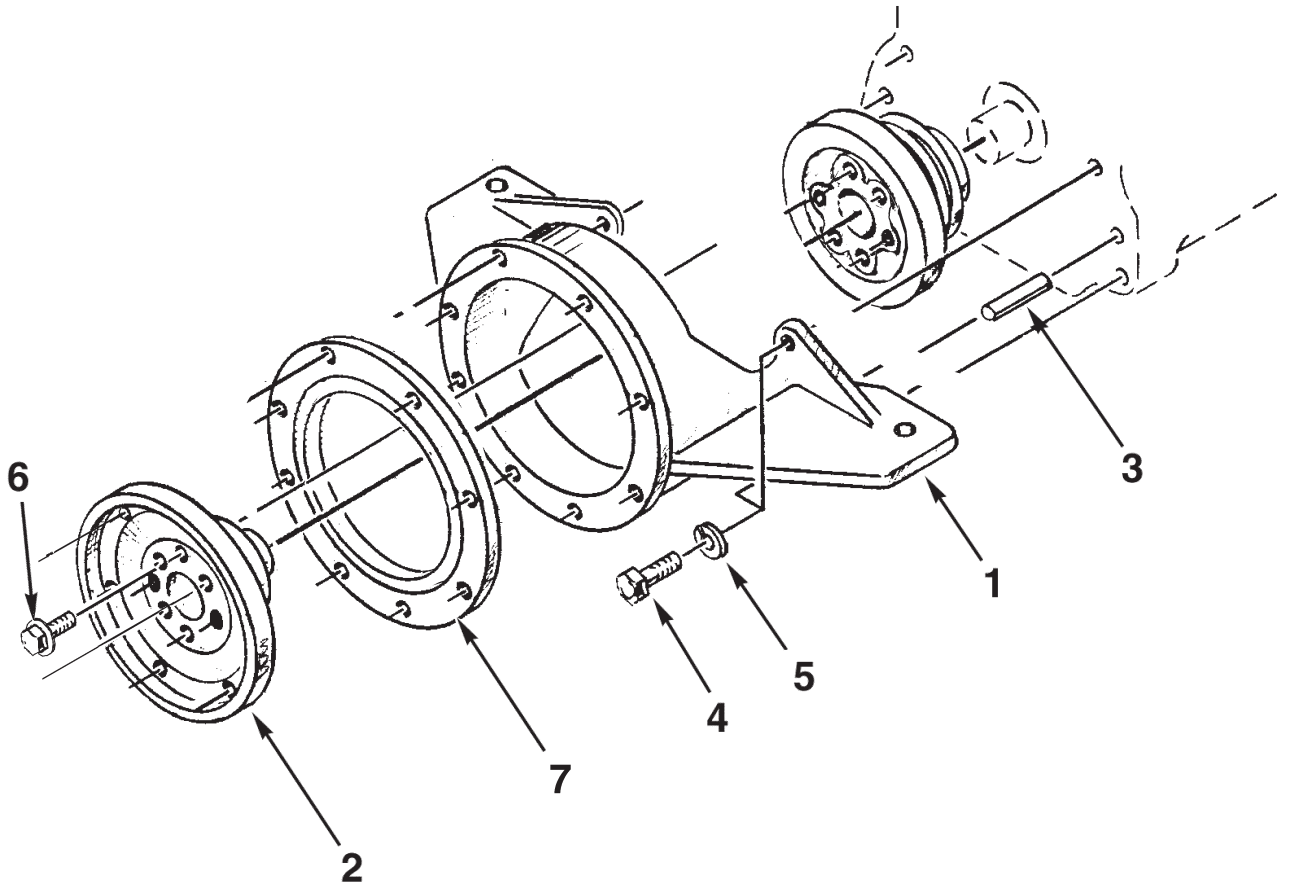


C-2235

KEY	PART NUMBER	QTY	DESCRIPTION	SERIAL NUMBER
1	10-60016	1	Housing, Electric Clutch SAE #5 C-Pad	-
2	34-69517	1	Drive Assembly	-
3	34-60097	1	Electric Clutch, MC-100 12V C - Spline	-
	34-60098	1	Electric Clutch, MC-100 24V C - Spline (Supercedes 34-60088)	-
4	12-00035	8	Capscrew, Socket Head 3/8-16 x 3/4"	-
5	12-40513	4	Capscrew, Hex Head 7/16-20 x 1-1/4"	-
6	15-00404	4	Flat Washer 7/16"	-
7	12-00312	6	Capscrew, Hex Head 3/8-16 x 1"	-
8	15-00321	6	Flat Washer 3/8" SAE	-
9	12-20319	8	Capscrew, Socket Head 3/8-16 x 2-3/4" (for 40 mm spacer)	-
	12-20320	8	Capscrew, Socket Head 3/8-16 x 3-1/2" (for 2.23" spacer)	-
	12-20324	8	Capscrew, Socket Head 3/8-16 x 4" (for 3" spacer)	-
10	15-00307	8	Flat Washer 3/8"	-
11	00-61003	1	Grommet	-
12	00-40025	1	Plug	-

PTO Adapter Parts

L- M1066T, M99C2, & M1066A2 / L1066A (with single crank damper) M1066A1 & M1066A3



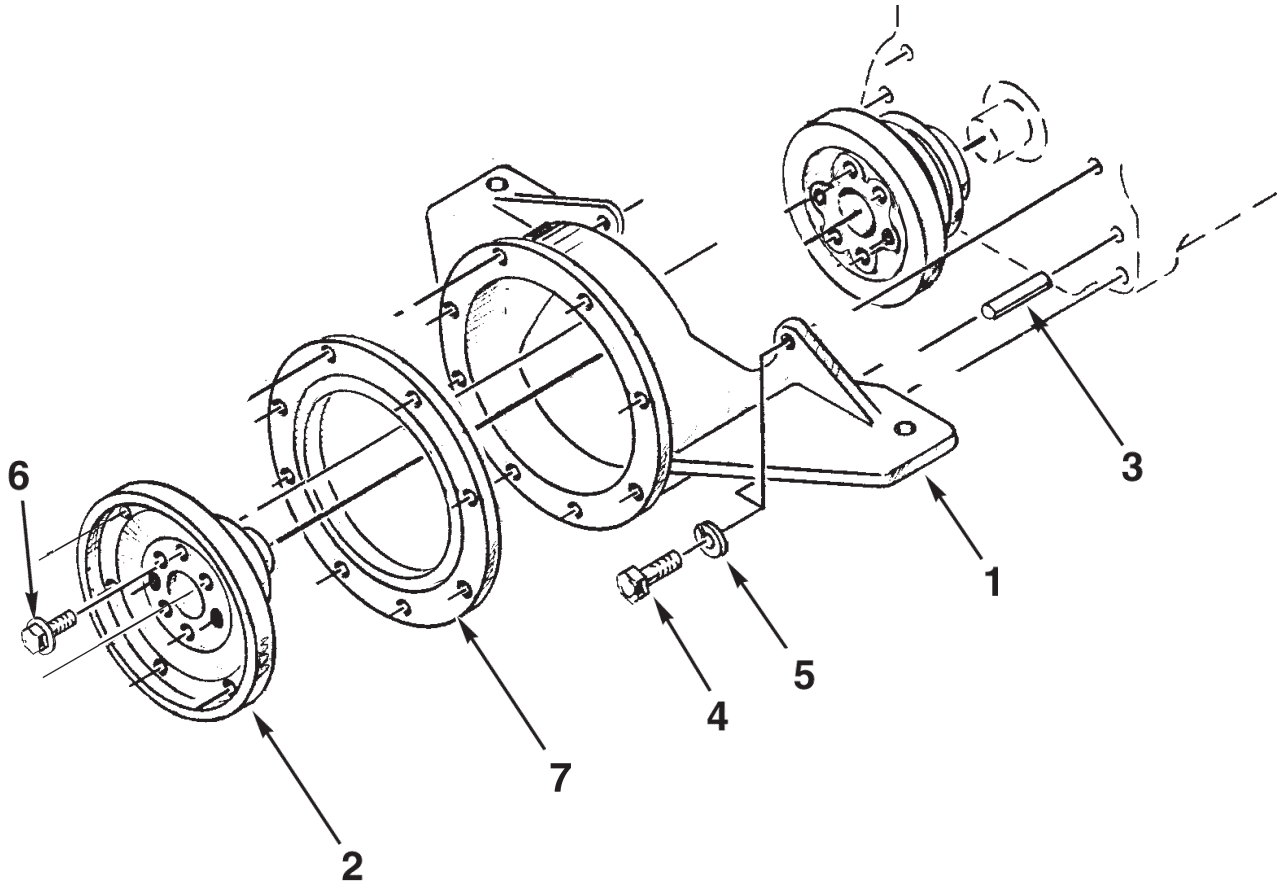
A-8611/ C-2235/B-1991

KEY	PART NUMBER	QTY	DESCRIPTION	SERIAL NUMBER
1	23-71001	1	Bracket, Front PTO Mounting SAE #5	-
2	34-69401	1	PTO Carrier SAE #8	-
3	32-81001	2	Dowel Pin	-
4	12-04803	4	Capscrew, Hex Head M16 x 2.0 x 40 mm	-
5	15-01000	4	Lock Washer, Helical M16	-
6	01435-01040	4	Capscrew, Hex Head Flanged M10 x 1.5 x 40 mm Grade 10.9	-
7	31-69601	1	Spacer SAE #5 x 40 mm *	-
	31-69604	1	Spacer SAE #5 x 2.23" **	-
			* For models: L-M1066T - M99C2-M1066A2	
			**For models: L1066A (with single crank damper) - M1066A1-A3	

GROUP 9 - ACCESSORIES & OPTIONAL EQUIPMENT

PTO Adapter Parts

L1066A (Single Damper), M1066A1 & A3
 M1066H @ 1800 RPM

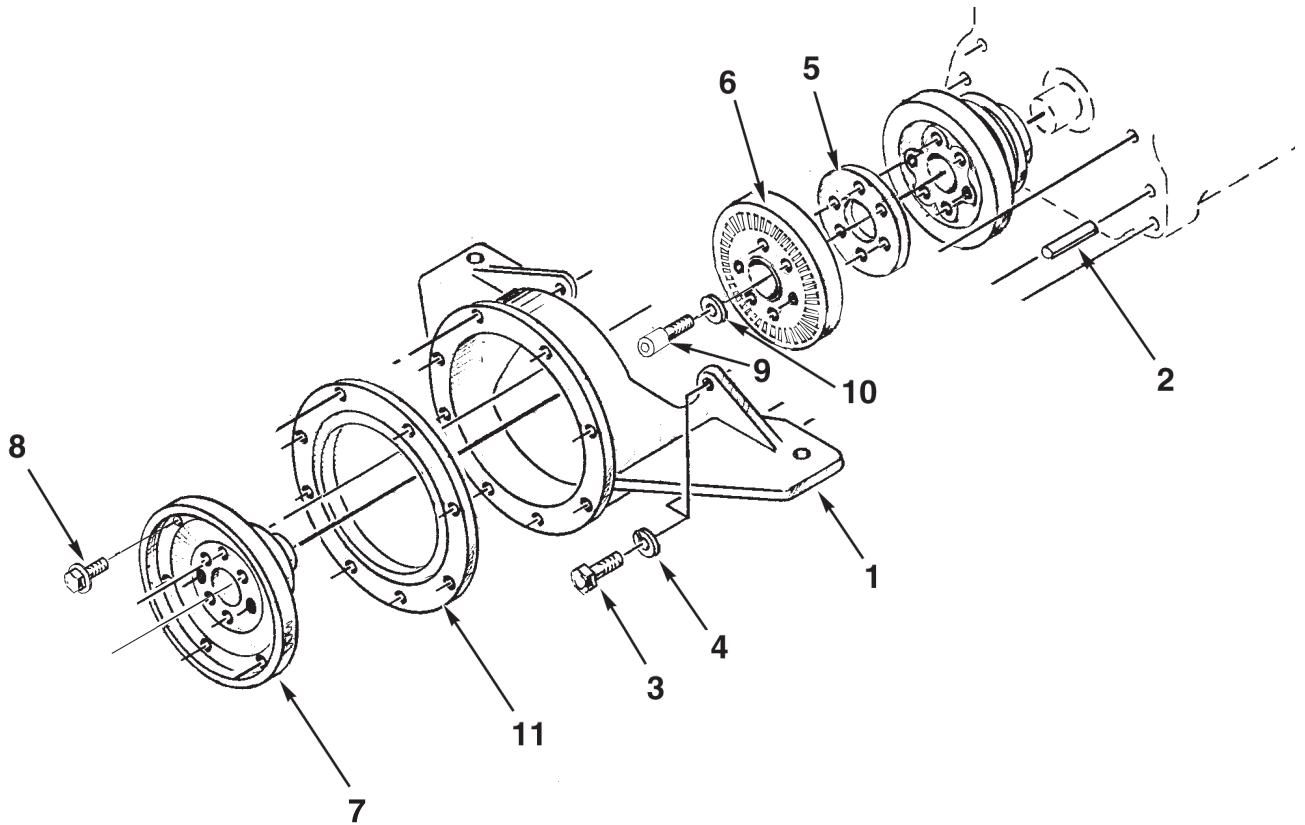


A-10437/ C-2235/B-1991

KEY	PART NUMBER	QTY	DESCRIPTION	SERIAL NUMBER
1	23-71001	1	Bracket, Front PTO Mounting SAE #5	-
2	34-69401	1	PTO Carrier SAE #8	-
3	32-81001	2	Dowel Pin	-
4	12-04803	4	Cap screw, Hex Head M16 x 2.0 x 40 mm	-
5	15-01000	4	Lock Washer, Helical M16	-
6	01435-01040	6	Cap screw, Hex Head Flanged M10 x 1.5 x 40 mm Grade 10.9	-
7	31-69604	1	Spacer SAE #5 x 2.23"	-

PTO Adapter Parts

L1066A (Dual Dampers) & L1066H All - M1066H @ 1500 RPM



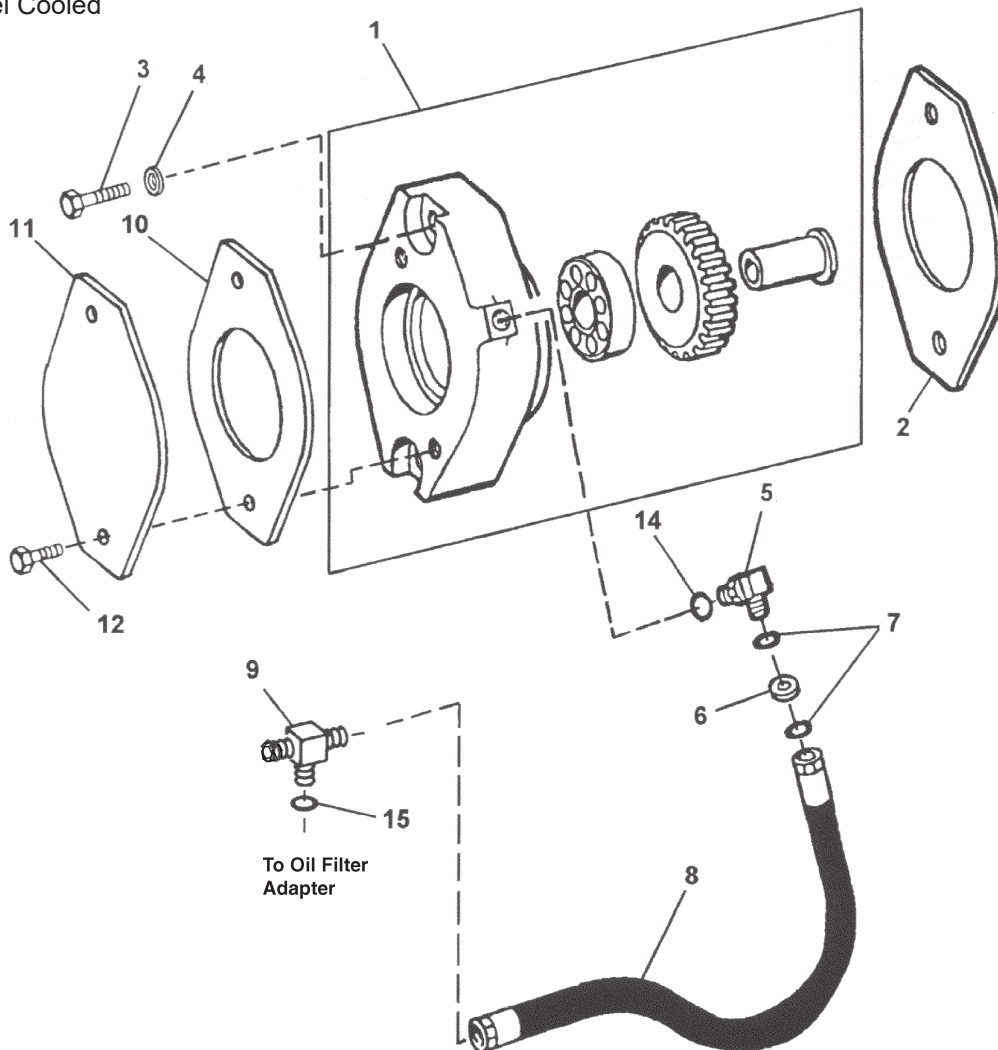
A-10437, A-10396/ C-2235/B-1991, C-2309, C-2394

KEY	PART NUMBER	QTY	DESCRIPTION	SERIAL NUMBER
1	23-71001	1	Bracket, SAE #5	-
2	32-81001	2	Dowel Pin 5/8" OD x 1-1/2"	-
3	12-04803	4	Capscrew, Hex Head M16 x 2.0 x 40 mm	-
4	15-01000	4	Lock Washer, Helical M16	-
5	31-69603	1	Spacer, Damper Mounting	-
6	RE57604	1	Crankshaft Damper, Viscous (Dual Dampers)	-
7	34-69603	1	PTO Carrier SAE #8	-
8	01435-01065	6	Capscrew, Hex Head Flanged M10 x 1.5 x 65 mm	-
9	R516648	1	Capscrew, Socket Head M20 x 2.5 x 70 mm Grade 12.9	-
10	R517237	1	Washer	-
11	31-69602	1	Spacer, SAE #5 x 3"	-

GROUP 9 - ACCESSORIES & OPTIONAL EQUIPMENT

Hydraulic Pump Drive Assembly

Oil Supply from Oil Filter Adapter,
L1066T Keel Cooled



Reproduced by permission of Deere & Co., c2005. Deere & Company. All rights reserved.

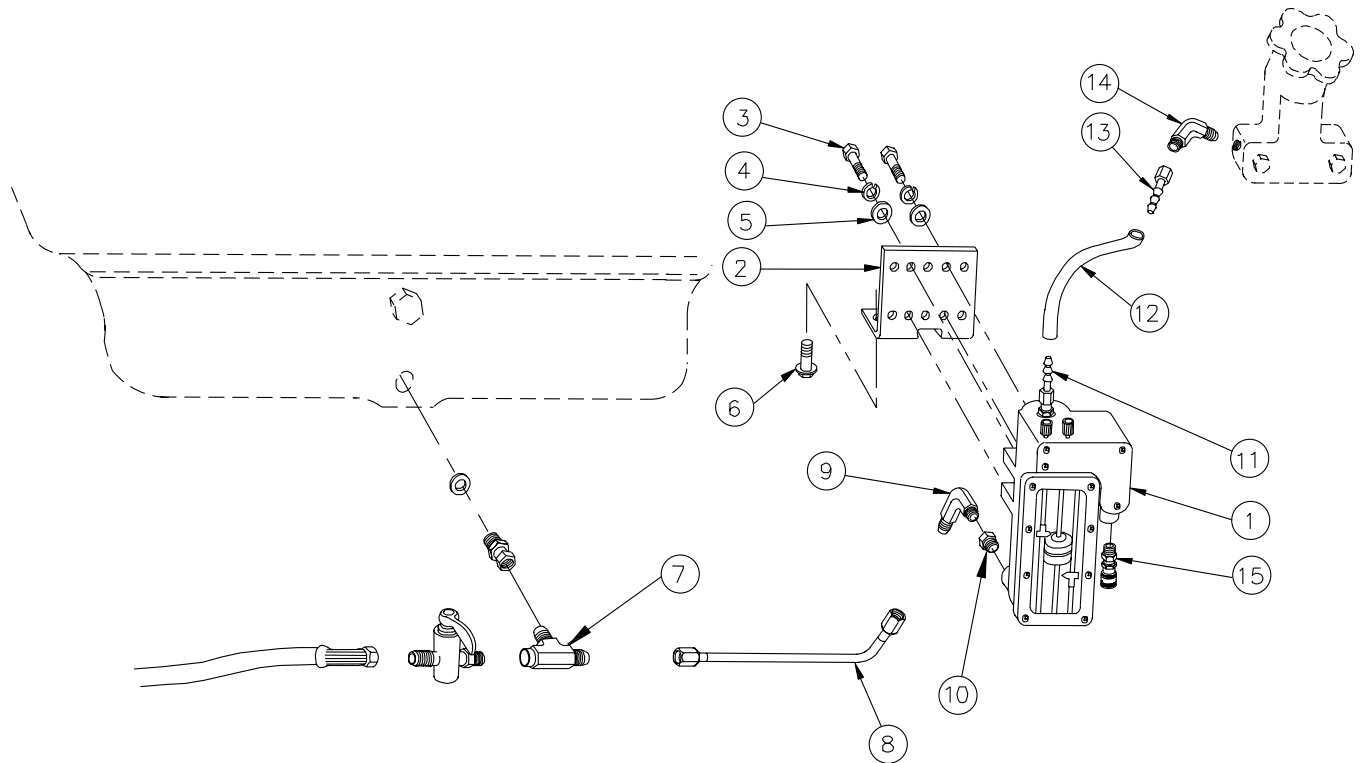
RGP6232

KEY	PART NUMBER	QTY	DESCRIPTION	SERIAL NUMBER
1	RE500825	1	Auxiliary Drive Assembly SAE A Pad, 9 Tooth Spline	-
2	R134465	1	Gasket	-
3	12-00955	2	Capscrew, Hex Head M12 x 1.75 x 60 mm	-
4	15-00007	2	Flat Washer, M12	-
5	21-69501	1	Male Elbow 90°, M12 x 1.5 x 3/8 O-ring Face Seal (includes keys 7 & 14)	-
6	N275799	1	Restriction Orifice	-
7	16-69501	2	O-ring	-
8	18-69603	1	Hose Assembly, 1/4" I.D. x 34"	-
9	21-09506	1	Female Branch Tee M16 x 1.5 x 3/8 -37T (includes key 15)	-
10	R96935	1	Gasket*	-
11	R85145	1	Plate*	-
12	12-00832	2	Capscrew, Hex Head M10 x 1.5 x 30 mm*	-
13	15-00804	2	Wave Washer, M10*	-
14	51M7040	1	O-ring	-
15	51M7042	1	O-ring	-

*For shipping

Low Oil Level Switch/ Gauge

M1066T

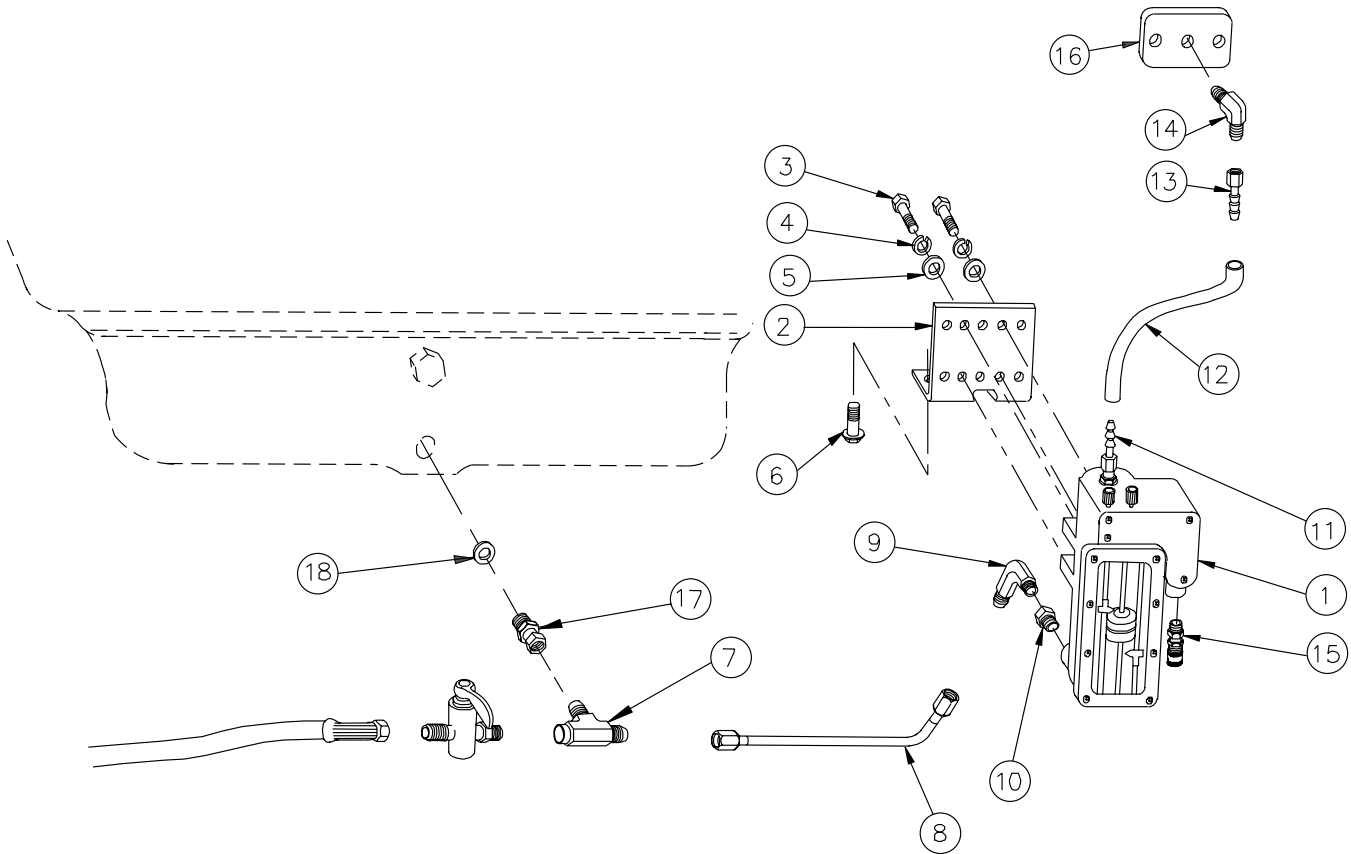


A-8602/ C-5543

KEY	PART NUMBER	QTY	DESCRIPTION	SERIAL NUMBER
1	22-10004	1	Oil Level Switch/ Gauge	-
2	23-71018	1	Bracket, Oil Level Switch Gauge Mounting	-
3	12-00111	4	Capscrew, Hex Head, 1/4 -20 x 3/4"	-
4	15-00102	4	Lock Washer, Helical 1/4"	-
5	15-00111	4	Flat Washer 1/4"	-
6	01435-00855	2	Capscrew, Hex Head Flanged M8 x 1.25 x 55 mm	-
7	21-79604	1	Female Run Tee, Steel 3/8 NPT x 3/8 -37T	-
8	27-09602	1	Tube Assembly, Low Oil Level Switch/ Gauge	-
9	21-79501	1	Male Elbow 90° Steel 1/4 NPT x 3/8 -37T	-
10	21-00135	1	Bushing, Brass 1/2 NPT x 1/4 NPT	-
11	21-51045	1	Male Compression Fitting Brass 1/4" Tube x 1/4 HB	-
12	41-01011	9	Hose 1/4" ID Push-on	-
13	21-71045	1	Female Swivel Brass 1/4HB x 1/4 -45T	-
14	21-14810	1	Male Elbow 45° Steel 1/8 NPT x 1/4 -37T (M1066T R.H.)	-
15	00-40016	1	Strain Relief Connection 1/2 NPT	-

Low Oil Level Switch/ Gauge

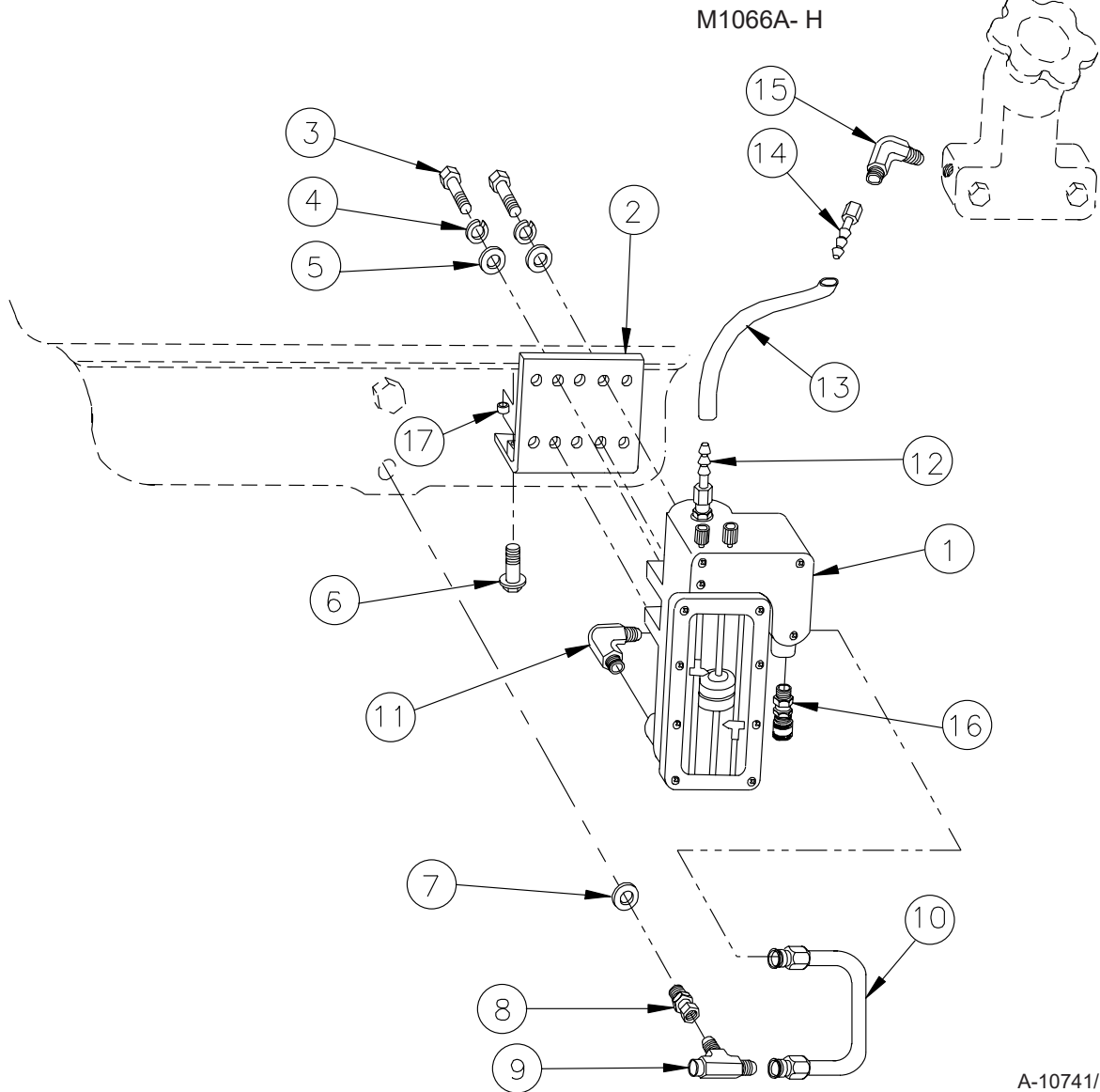
NL1066T



A-8459A/ C-5692

KEY	PART NUMBER	QTY	DESCRIPTION	SERIAL NUMBER
1	22-10004	1	Oil Level Switch/ Gauge	-
2	23-71018	1	Bracket, Oil Level Switch Gauge Mounting	-
3	12-00111	4	Capscrew, Hex Head, 1/4 -20 x 3/4"	-
4	15-00102	4	Lock Washer, Helical 1/4"	-
5	15-00111	4	Flat Washer 1/4"	-
6	01435-00855	2	Capscrew, Hex Head Flanged M8 x 1.25 x 55 mm	-
7	21-79604	1	Female Run Tee, Steel 3/8 NPT x 3/8 -37T	-
8	27-09602	1	Tube Assembly, Low Oil Level Switch/ Gauge	-
9	21-79501	1	Male Elbow 90° Steel 1/4 NPT x 3/8 -37T	-
10	21-00135	1	Bushing, Brass 1/2 NPT x 1/4 NPT	-
11	21-51045	1	Male Compression Fitting Brass 1/4" Tube x 1/4 HB	-
12	41-01011	9	Hose 1/4" ID Push-on	-
13	21-71045	1	Female Swivel Brass 1/4HB x 1/4 -45T	-
14	21-15710	1	Male Elbow 90° Steel 1/8 NPT x 1/4 -37T	-
15	00-40016	1	Strain Relief Connection 1/2 NPT	-
16	28-71002	1	Plate	-
17	21-79501	1	Female Swivel M18 x 1.5 x 3/8- 37T	-
18	16-09503	1	O-ring	-

Low Oil Level Switch/ Gauge



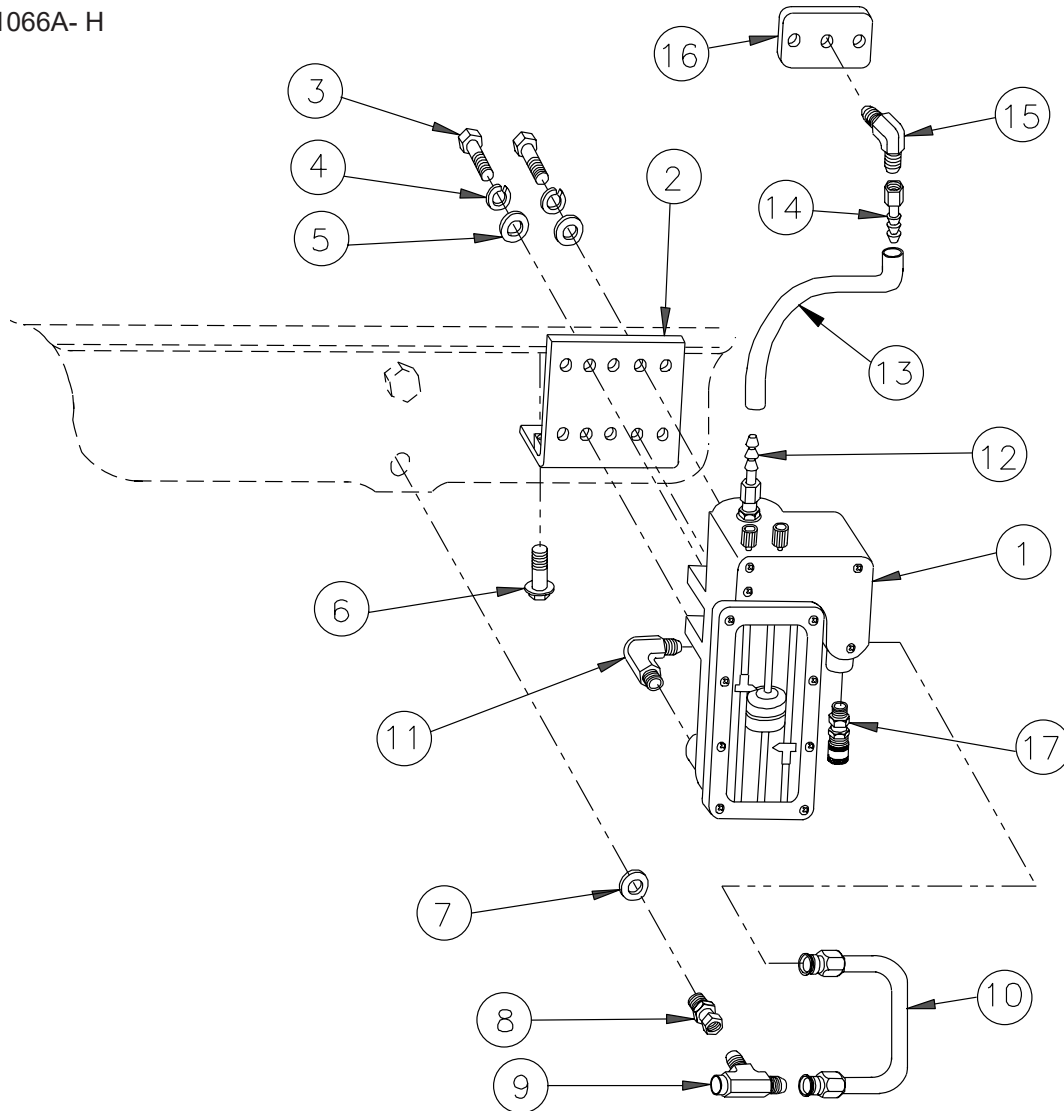
A-10741/ B-8619

KEY	PART NUMBER	QTY	DESCRIPTION	SERIAL NUMBER
1	22-10004	1	Oil Level Switch/ Gauge	-
2	23-71018	1	Bracket, Oil Level Switch Gauge Mounting	-
3	12-00111	4	Capscrew, Hex Head, 1/4 -20 x 3/4"	-
4	15-00102	4	Lock Washer, Helical 1/4"	-
5	15-00008	4	Flat Washer M6	-
6	12-80753	2	Capscrew, Hex Head Flanged M8 x 1.25 x 30 mm	-
7	16-09501	1	O-ring	-
8	21-09510	1	Female Swivel, Steel M22 x 1.5 x 3/8- 37T	-
9	21-79604	1	Female Run Tee, Steel 3/8 NPT x 3/8- 37T	-
10	27-09604	1	Tube, Low Oil Level Switch/Gauge	-
11	21-70011	1	Male Elbow 90° Steel 1/2 NPT x 3/8- 37T	-
12	21-51045	1	Male Compression Fitting Brass, 1/4" Tube x 1/4 HB	-
13	41-01011	9	Hose, 1/4" ID Push-on	-
14	21-71045	1	Female Swivel, Brass 1/4 HB x 1/4-45T Push-on	-
15	21-52205	1	Male Connector, Steel 1/8 NPT x 1/4- 37T	-
16	00-40016	1	Strain Relief Connection 1/2 NPT	-
17	21-17302	2	Spacer	-

GROUP 9 - ACCESSORIES & OPTIONAL EQUIPMENT

Low Oil Level Switch/ Gauge

NL1066A- H

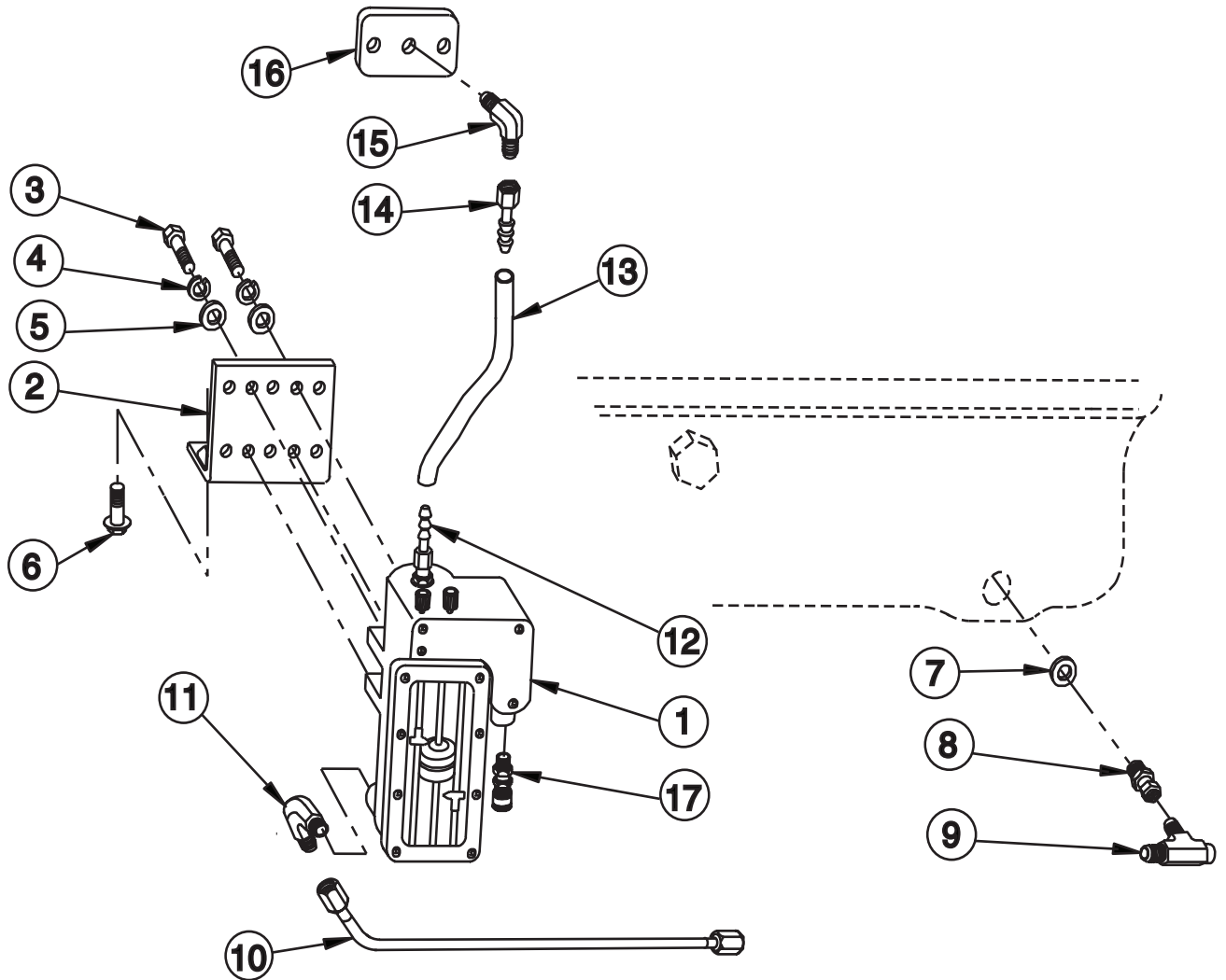


A-10661/ B-8621

KEY	PART NUMBER	QTY	DESCRIPTION	SERIAL NUMBER
1	22-10004	1	Oil Level Switch/ Gauge	-
2	23-71007	1	Bracket, Oil Level Switch Gauge Mounting	-
3	12-00111	4	Capscrew, Hex Head, 1/4 -20 x 3/4"	-
4	15-00102	4	Lock Washer, Helical 1/4"	-
5	15-00008	4	Flat Washer M6	-
6	12-80753	2	Capscrew, Hex Head Flanged M8 x 1.25 x 30 mm	-
7	16-09501	1	O-ring	-
8	21-09510	1	Female Swivel, Steel M22 x 1.5 x 3/8- 37T	-
9	21-79604	1	Female Run Tee, Steel 3/8 NPT x 3/8- 37T	-
10	27-09604	1	Tube, Low Oil Level Switch/Gauge	-
11	21-70011	1	Male Elbow 90° Steel 1/2 NPT x 3/8- 37T	-
12	21-51045	1	Male Compression Fitting Brass, 1/4" Tube x 1/4 HB	-
13	41-01011	9	Hose, 1/4" ID Push-on	-
14	21-71045	1	Female Swivel, Brass 1/4 HB x 1/4- 45T Push-on	-
15	21-15710	1	Male Elbow, 90° Steel 1/8 NPT x 1/4- 37T	-
16	28-71002	1	Plate	-
17	00-40016	1	Strain Relief Connection 1/2 NPT	-

Low Oil Level Switch/ Gauge

M1066A- H Left hand

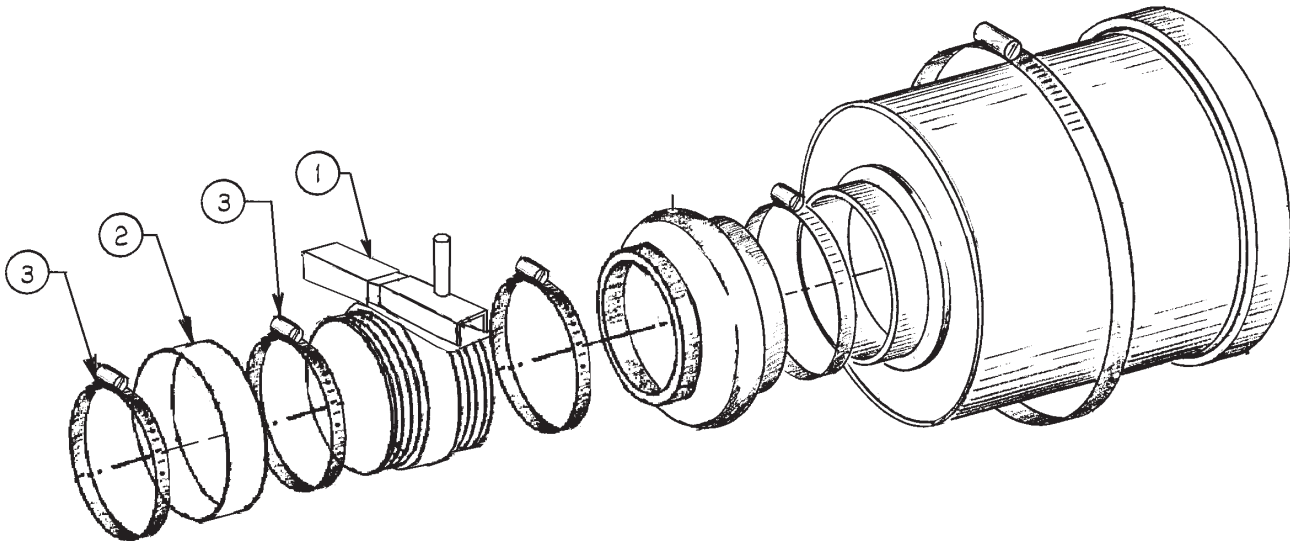


A-10930/ B-8625

KEY	PART NUMBER	QTY	DESCRIPTION	SERIAL NUMBER
1	22-10004	1	Oil Level Switch/ Gauge	-
2	23-71007	1	Bracket, Oil Level Switch Gauge Mounting	-
3	12-00111	4	Capscrew, Hex Head, 1/4 -20 x 3/4"	-
4	15-00102	4	Lock Washer, Helical 1/4"	-
5	15-00008	4	Flat Washer M6	-
6	12-80753	2	Capscrew, Hex Head Flanged M8 x 1.25 x 30 mm	-
7	16-09501	1	O-ring	-
8	21-09510	1	Female Swivel, Steel M22 x 1.5 x 3/8- 37T	-
9	21-79514	1	Union Elbow 90° Steel 3/8- 37T	-
10	18-15003	1	Hose Assembly 3/8" ID x 9"	-
11	21-70011	1	Male Elbow 90° Steel 1/2 NPT x 3/8- 37T	-
12	21-51045	1	Male Compression Fitting Brass, 1/4" Tube x 1/4 HB	-
13	41-01011	9	Hose, 1/4" ID Push-on	-
14	21-71045	1	Female Swivel, Brass 1/4 HB x 1/4- 45T Push-on	-
15	21-15710	1	Male Elbow, 90° Steel 1/8 NPT x 1/4- 37T	-
16	28-71002	1	Plate	-
17	00-40016	1	Strain Relief Connection 1/2 NPT	-

Air Intake Shut-off Valve (4" Intake)

L- M1066

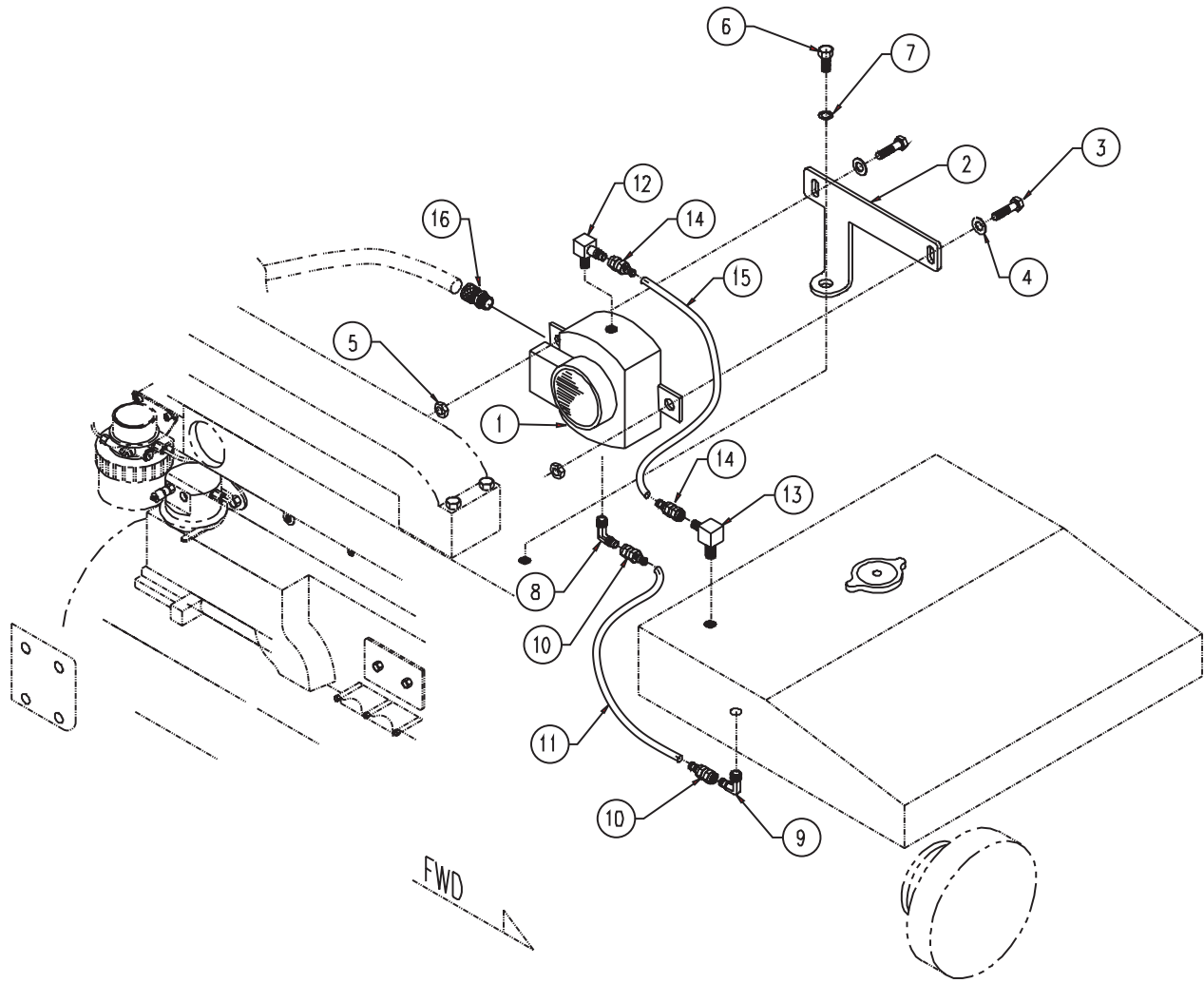


A-10898/ B-8491A

KEY	PART NUMBER	QTY	DESCRIPTION	SERIAL NUMBER
1	03-29503	1	Valve, Intake Air Shut-off	-
2	41-30400	2.5"	Hose, 4" ID 4 Ply Silicone 350°F SAE	-
3	19-02048	2	Hose Clamp #48	-

Low Coolant Level Switch/ Gauge

L- M1066T & M99C2



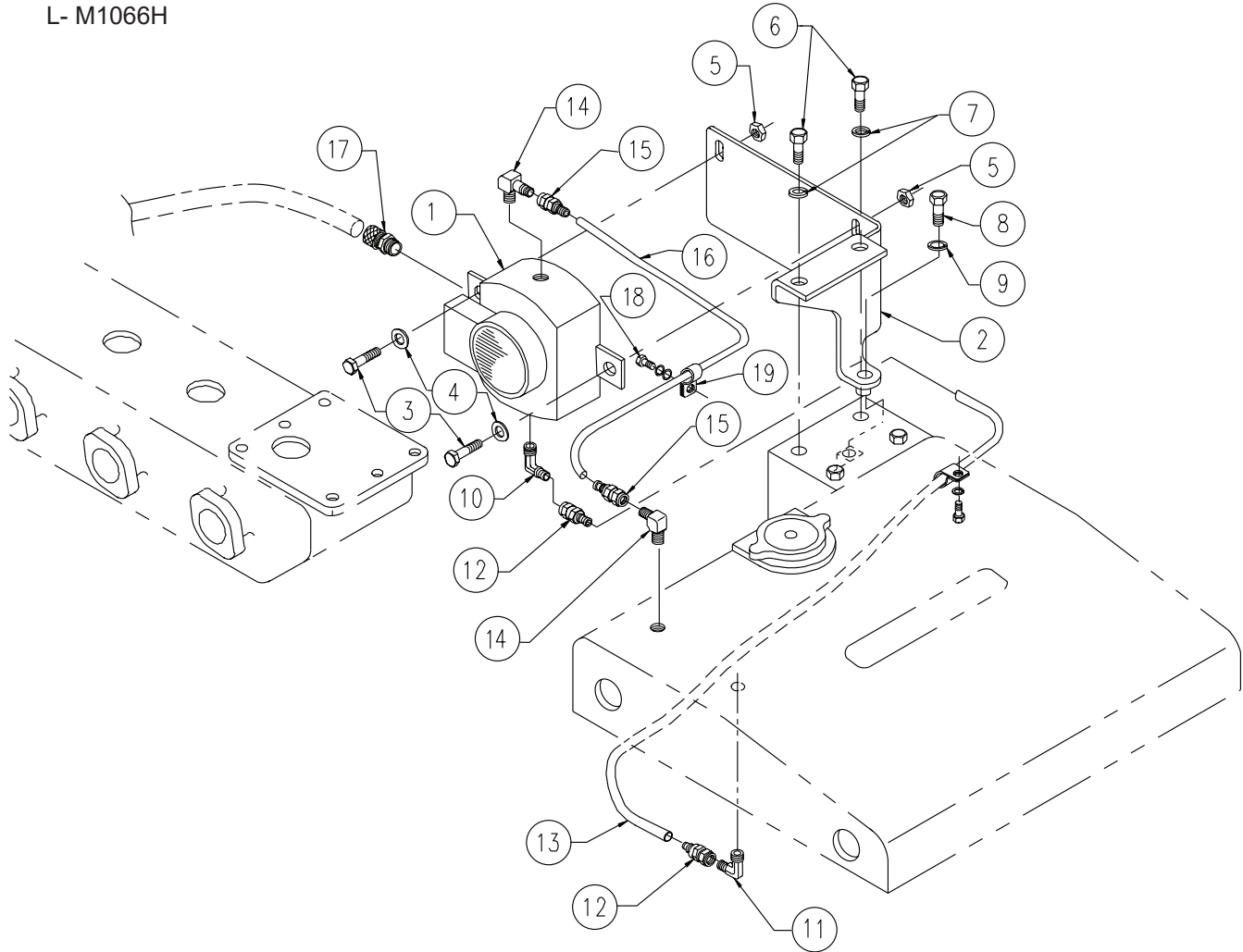
A-8350/ C-4519

KEY	PART NUMBER	QTY	DESCRIPTION	SERIAL NUMBER
1	22-10003	1	Coolant Level Switch/ Gauge (Isolated Ground)	-
2	23-09509	1	Gauge Bracket	-
3	12-00031	2	Capscrew, Hex Head, M6 x 1.0 x 25 mm	-
4	15-00008	2	Flat Washer, M6	-
5	14-04803	2	Hex Nut, Nylock, M6 x 1.0	-
6	12-20913	1	Capscrew, Socket Head, M12 x 1.75 x 30 mm	-
7	15-04802	1	Lock Washer, High Collar M12	-
8	21-70011	1	Male Elbow, 90° Steel 1/2 NPT x 3/8- 37T	-
9	21-00015	1	Male Elbow, 90° Steel 1/4 NPT x 3/8- 37T	-
10	21-71034	2	Female Swivel, Brass 3/8 HB x 3/8- 37T Push-on	-
11	41-01020	10	Hose, 3/8" ID Push-on	-
12	21-71044	1	Male Elbow, 90° Brass 1/4 NPT x 1/4- 45T	-
13	21-71043	1	Male Elbow, 90° Brass 1/8 NPT x 1/4- 45T	-
14	21-71045	2	Female Swivel, Brass 3/8 HB x 1/4- 45T Push-on	-
15	41-01011	10	Hose 1/4" ID Push-on	-
16	00-40016	1	Strain Relief Connection, 1/2 NPT	-

GROUP 9 - ACCESSORIES & OPTIONAL EQUIPMENT

Low Coolant Level Switch/ Gauge

L1066A - M1066A1, A2, A3,
L- M1066H

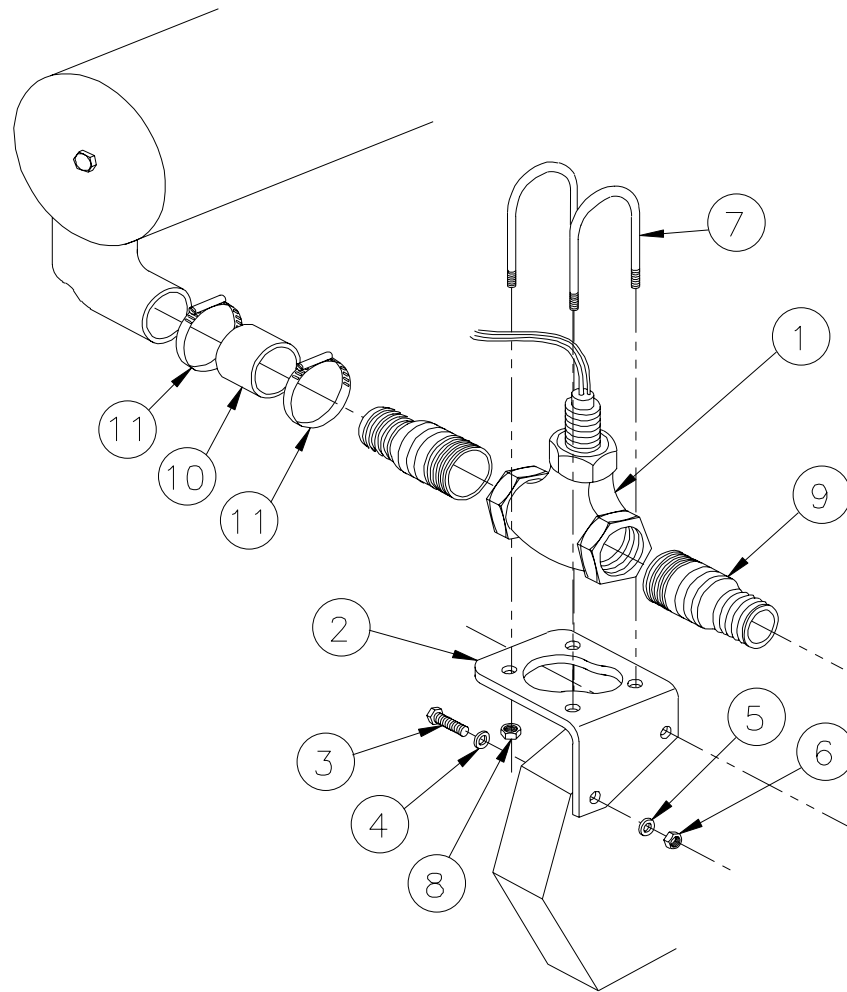


A-10734/ B-8628a

KEY	PART NUMBER	QTY	DESCRIPTION	SERIAL NUMBER
1	22-10003	1	Coolant Level Switch/ Gauge (Isolated Ground)	-
2	23-09509	1	Gauge Bracket	-
3	12-00031	2	Capscrew, Hex Head, M6 x 1.0 x 25 mm	-
4	15-00008	2	Flat Washer, M6	-
5	14-04803	2	Hex Nut, Nylock, M6 x 1.0	-
6	12-00214	2	Capscrew, Hex Head, 5/16-18 x 1-1/2"	-
7	15-00202	2	Lock Washer, Helical 5/16	-
8	12-00315	1	Capscrew, Hex Head 3/8- 16 x 1- 3/4"	-
9	15-00302	1	Lock Washer, Helical 3/8	-
10	21-70011	1	Male Elbow 90° Steel 1/2 NPT x 3/8- 37T	-
11	21-00015	1	Male Elbow 90° Steel 1/4 NPT x 3/8- 37T	-
12	21-71034	2	Female Swivel, Brass, 3/8 HB x 3/8- 37T, Push-on	-
13	41-01020	16"	Hose, 3/8" ID Push-on	-
14	21-71044	2	Male Elbow 90° Brass 1/4 NPT x 1/4- 45T	-
15	21-71045	2	Female Swivel, Brass 1/4 HB x 1/4-45T Push-on	-
16	41-01011	18"	Hose 1/4" ID Push-on	-
17	00-40016	1	Strain Relief Connection, 1/2 NPT	-
18	12-00315	1	Capscrew, Hex Head 3/8- 16 x 1- 3/4"	-
19	19-43201	1	Adelle Clamp 1/2" ID	-

Raw Water Flow Switch with Dry Exhaust

L1066T, M1066T



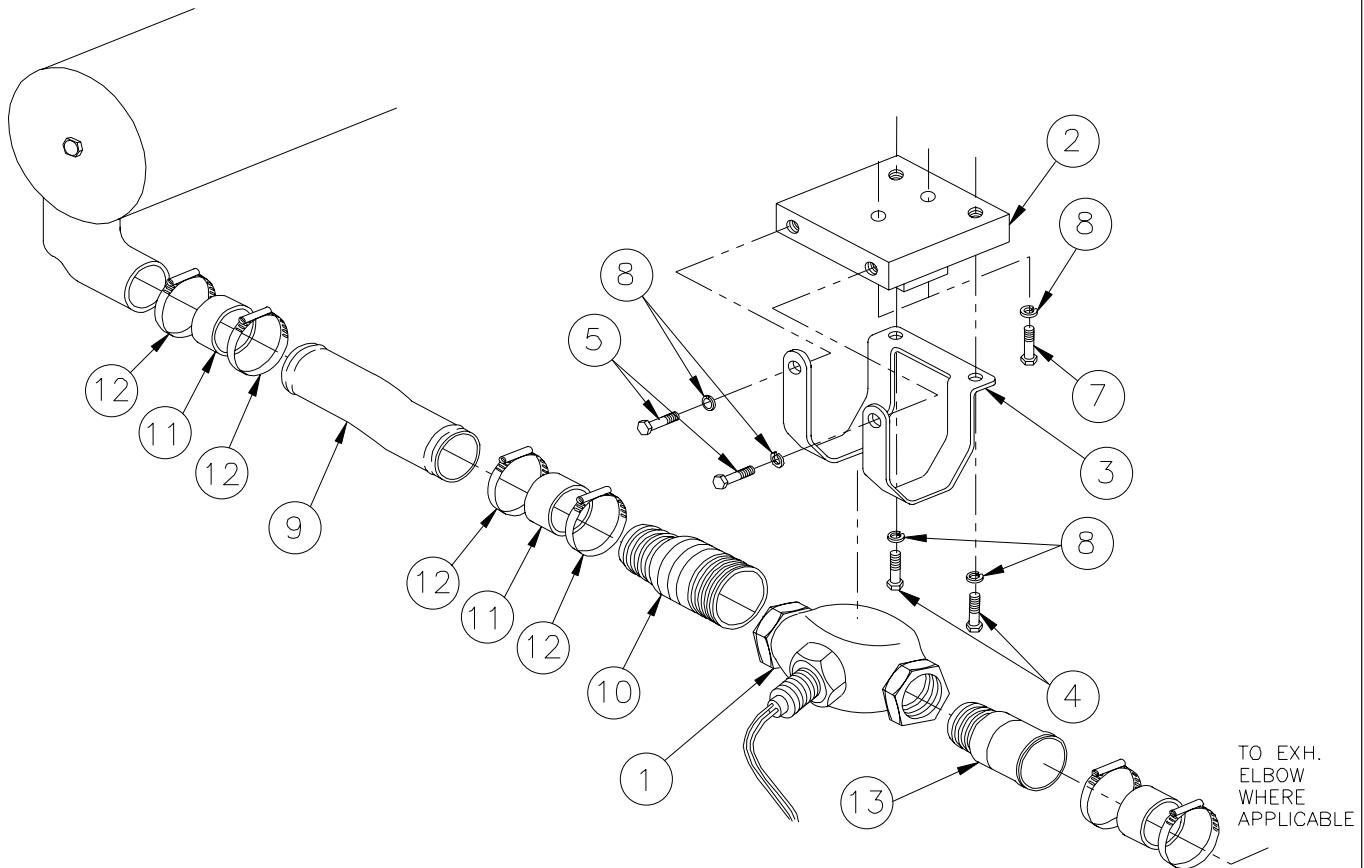
A-8516, A-9081, A-9402, A-8519/ B-8012

KEY	PART NUMBER	QTY	DESCRIPTION	SERIAL NUMBER
1	22-11004	1	Flow Switch 10 GPM 1 -1/4 NPT (M1066T)	-
	37-11006	1	Flow Switch 6 GPM 1 -1/4 NPT (L1066T)	-
2	23-19501	1	Bracket, Flow Switch Mounting	-
3	12-00716	2	Capscrew, Hex Head M8 x 1.25 x 55 mm	-
4	15-00701	2	Flat Washer M8	-
5	15-00702	2	Lock Washer Helical M8	-
6	14-00711	2	Hex Nut M8 x 1.25	-
7	19-19501	2	U-Bolt 1 -1/2" ID x 3/8 -16 S/S	-
8	14-00302	2	Lock Nut, Plain Flanged 3/8 -16	-
9	21-15017	2	Male Connector Brass 1 -1/4 NPT x 1 -1/4" HB	-
10	18-19501	1	Hose 1 -1/4" ID x 2 -1/2" (M1066T)	-
11	19-01020	2	Hose Clamp #20 Extended Band S/S (M1066T)	-

GROUP 9 - ACCESSORIES & OPTIONAL EQUIPMENT

Raw Water Flow Switch

L1066A-H, M1066A1,2,3,H

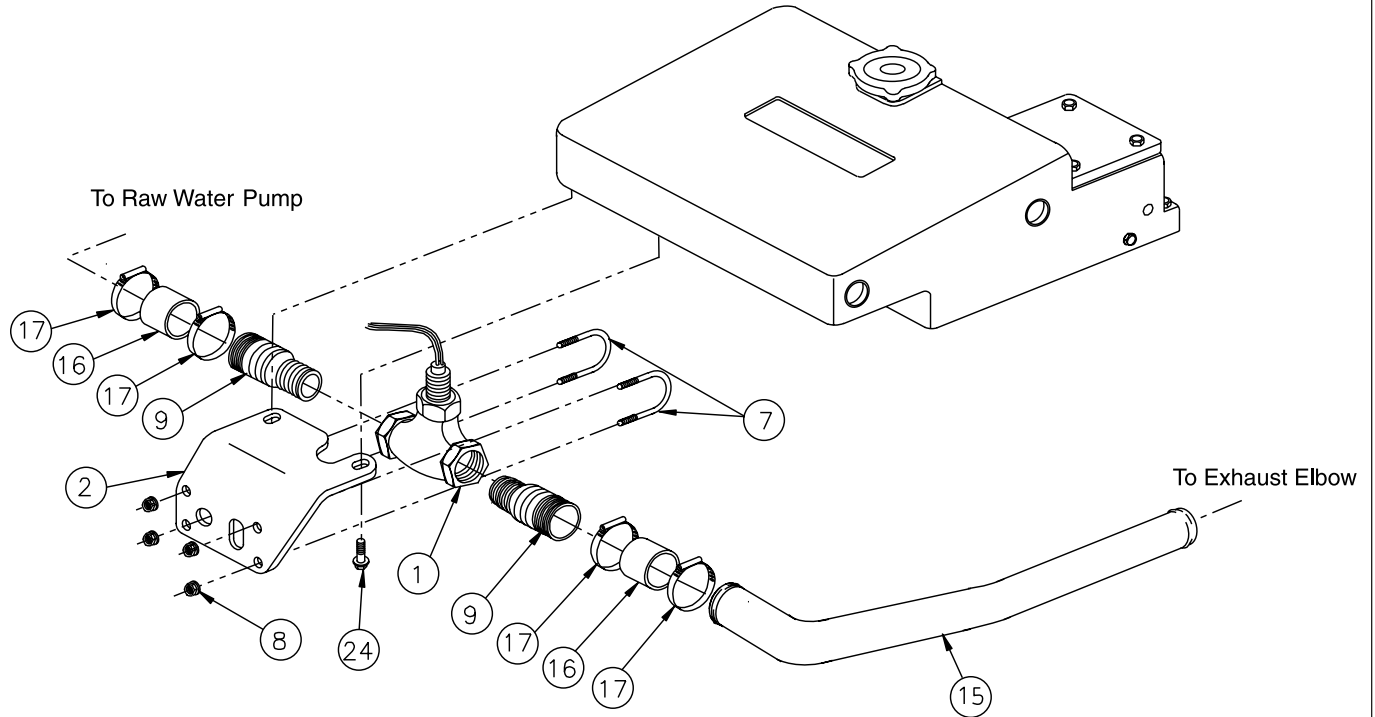


A-10846, A-10848, A-11045, A-10847/ B-8629

KEY	PART NUMBER	QTY	DESCRIPTION	SERIAL NUMBER
1	37-16801	1	Flow Switch, Bronze 10 GPM 2" NPT (L1066A-H)	-
	37-16802	1	Flow Switch, Bronze 25 GPM 2" NPT (M1066A1,2,3,H)	-
2	28-19501	1	Plate, 2" Flow Switch Mtg.	-
3	23-19511	1	Clamp, 2" Flow Switch Mtg.	-
4	12-00312	3	Capscrew, Hex Head 3/8-16 x 1"	-
5	12-00313	1	Capscrew, Hex Head 3/8-16 x 1-1/4"	-
7	12-00311	2	Capscrew, Hex Head 3/8-16 x 3/4"	-
8	15-00302	7	Lock Washer, Helical 3/8	-
9	27-19517	1	Tube, Flow Switch Inlet 2" HB S/S	-
10	21-15029	1	Male Connector, 2" NPT x 2" HB S/S	-
11	18-26002	2	Hose 2" ID x 2-3/4" 4 Ply Silicone	-
12	19-01032	4	Hose Clamp #32	-
13	21-19502	1	Male Connector, Copper 2" NPT x 1-3/4" HB (L1066A-H)	-
	21-15714	1	Male Connector, Copper 2" NPT x 1-5/8" HB (M1066A1,2,3,H)	-

Raw Water Flow Switch

L1066T Keel Cooled

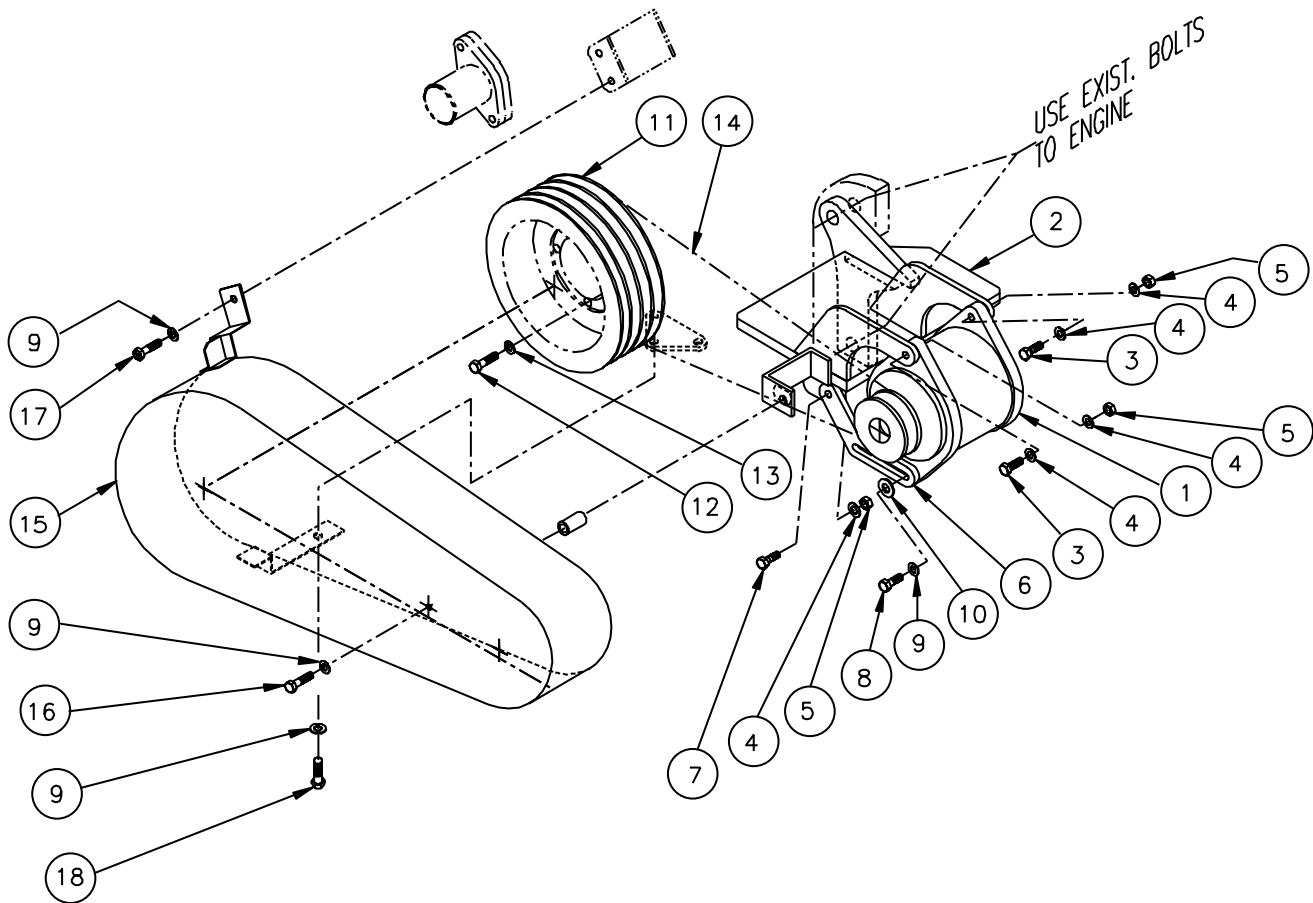


A-9127/ B-8640

KEY	PART NUMBER	QTY	DESCRIPTION	SERIAL NUMBER
1	37-11006	1	Flow Switch 6 GPM 1 -1/4 NPT (L1066T)	-
2	23-19504	1	Bracket, Flow Switch Mounting	-
7	19-19501	2	U-Bolt 1 -1/2" ID x 3/8 -16 S/S	-
8	14-00302	4	Lock Nut, Plain Flanged 3/8 -16	-
9	21-15017	2	Male Connector Brass 1 -1/4 NPT x 1 -1/4" HB	-
15	27-19603	1	Tube, Raw Water Discharge S/S	-
16	18-19501	2	Hose 1 -1/4" ID x 2 -1/2"	-
17	19-01020	4	Hose Clamp #20 Extended Band S/S	-
24	19M8306	2	Capscrew, Hex Head Flanged M12 x 1.75 x 50 mm	-

12 Volt 40 Amp Alternator, Left Side Mounted

L1066T

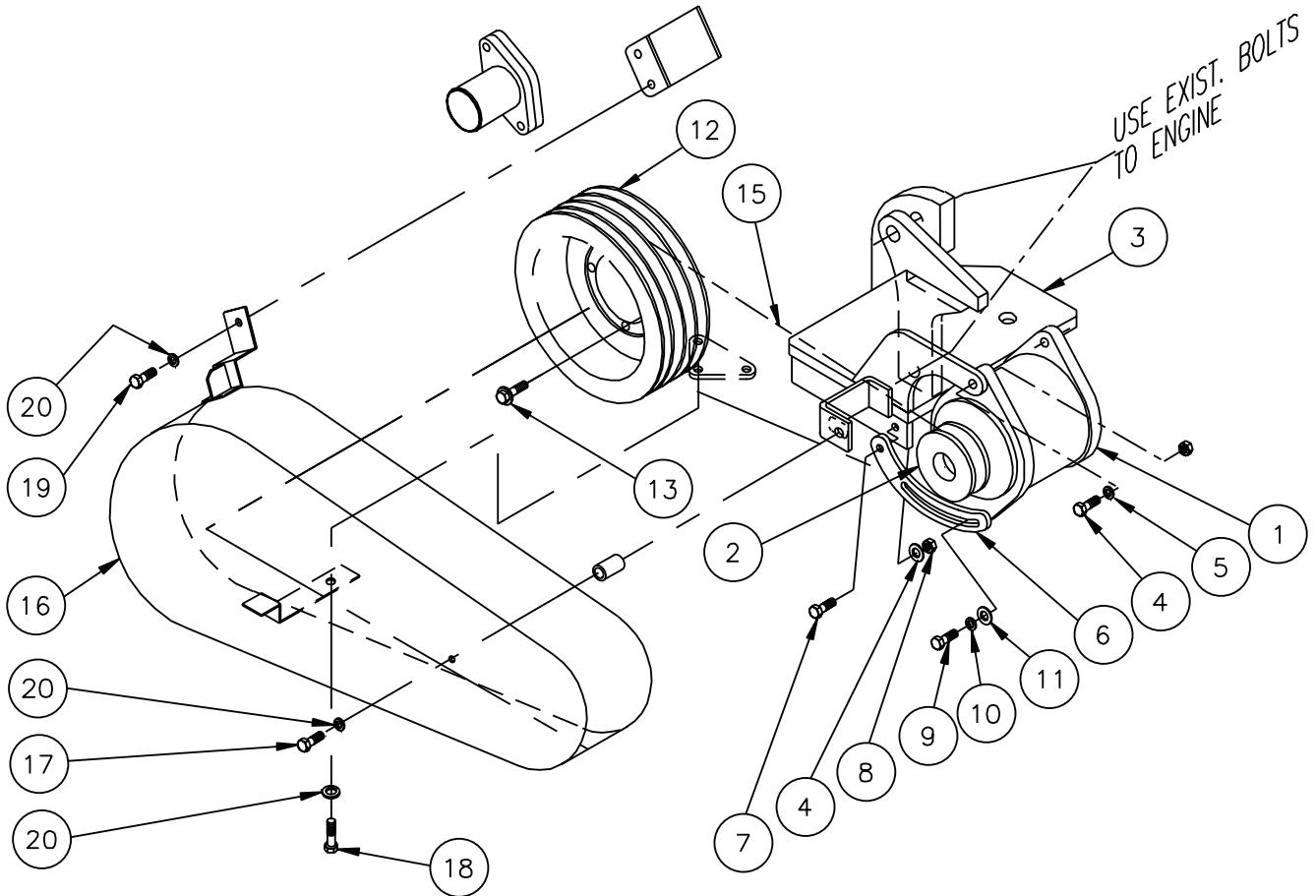


A-8902/ C-4434

KEY	PART NUMBER	QTY	DESCRIPTION	SERIAL NUMBER
1	27060-78301-71	1	Alternator, 12 Volt 40 Amp	-
2	23-89501	1	Alternator & Engine Mounting Bracket	-
3	12-00714	2	Capscrew, Hex Head, M8 x 1.25 x 40 mm	-
4	15-00701	5	Flat Washer, M8	-
5	14-04802	3	Hex Nut, Nylock, M8 x 1.25	-
6	23-70025	1	Tensioning Arm	-
7	12-00753	1	Capscrew, Hex Head, M8 x 1.25 x 30 mm	-
8	12-00712	1	Capscrew, Hex Head, M8 x 1.25 x 25 mm	-
9	15-00702	4	Lock Washer, Helical, M8	-
10	15-00201	1	Stud Washer, 5/16	-
11	34-69501	1	Crankshaft Pulley, 4-A x 8"	-
12	12-00318	4	Capscrew, Hex Head, 3/8-16 x 2-1/2"	-
13	15-00321	4	Flat Washer, 3/8" SAE	-
14	40-01601	1	Drive Belt	-
15	00-49602	1	Belt Guard, (see also application with hydraulic pump drive)	-
16	12-00714	1	Capscrew, Hex Head, M8 x 1.25 x 40 mm	-
17	12-00711	1	Capscrew, Hex Head, M8 x 1.25 x 20 mm	-
18	12-00751	1	Capscrew, Hex Head, M8 x 1.25 x 16 mm	-

24 Volt 40 Amp & 12 Volt 90 Amp Alternator

L1066T, Left side Mounting



A-10351/ B-8647

KEY	PART NUMBER	QTY	DESCRIPTION	SERIAL NUMBER
1	22-40278	1	Alternator, 24 Volt 40 Amp	-
	22-40332	1	Alternator, 12 Volt 90 Amp	-
2	34-41019	1	Pulley 2-A/B x 3-5/8" ID	-
3	23-89608	1	Bracket, Engine/ Alternator Mtg.	-
4	12-00518	1	Capscrew, Hex Head 1/2-13 x 2-1/2"	-
5	15-00504	1	Flat Washer 1/2" SAE	-
6	23-49602	1	Tensioning Arm	-
7	12-00714	1	Capscrew, Hex Head M8 x 1.25 x 40 mm	-
8	14-04802	1	Nut, Hex Head Nylock M8 x 1.25	-
9	12-00213	1	Capscrew, Hex Head 5/16-18 x 1-1/4"	-
10	15-00202	1	Lock Washer Helical 5/16	-
11	15-00201	1	Stud Washer 5/16	-
12	34-69501	1	Pulley, Crankshaft 4-A x 8"	-
13	01435-01065	4	Capscrew, Hex Head Flanged M10 x 1.5 x 65 mm	-
15	40-05901	1	Drive Belt Set	-
16	00-49602	1	Belt Guard, 2nd Small Frame Alternator	-
17	12-09753	1	Capscrew, Hex Head M8 x 1.25 x 30 mm S/S	-
18	12-00711	1	Capscrew, Hex Head M8 x 1.25 x 20 mm	-
19	12-00751	1	Capscrew, Hex Head M8 x 1.25 x 16 mm	-
20	15-00701	4	Flat Washer M8	-
21	22-40486	1	Cable #2 AWG x 43" 1/4" x 1/2" POS (not shown)	-
22	22-40487	1	Cable #2 AWG x 49" 1/4" x 1/2" NEG (not shown)	-



4420 14th Ave. NW., Seattle WA 98107

Tel: (206) 789-3880 • 1-800-762-0165 • www.northern-lights.com

Northern Lights and Lugger are registered trademarks of Northern Lights, Inc.

© 2018 All rights reserved. Litho USA.