

P65C-3

For Models: M50C13, M50T13, M55C13,
M65C13 and M65T13

PARTS CATALOG

Marine Generators | Marine Diesel Engines | Land-Based Generators



NORTHERN LIGHTS





— CALIFORNIA —
Proposition 65 Warning:

Diesel engine exhaust and some of its constituents are known to the State of California to cause cancer, birth defects, and other reproductive harm.

Northern Lights
4420 14th Avenue N.W.
Seattle, WA 98107
Tel: (206) 789-3880
Fax: (206) 782-5455

Copyright ©2015 Northern Lights, Inc.
All rights reserved. Northern Lights™, and
the Northern Lights logo are trademarks of
Northern Lights, Inc.

Printed in U.S.A.
PART NO.: P65-3 11/15



NORTHERN LIGHTS

PARTS CATALOG

For Models:
M50C13, M50T13, M55C13,
M65C13 and M65T13

Please read thoroughly before attempting to use this manual:

Table of Content.....	I
Model Designation & Serial Numbers.....	II

Table of Contents

GROUP 1 - ENGINE

Cylinder Block	0- 1
Flywheel Housing & Flywheel	2- 3
Crankshaft & Main Bearings & Pulley	4- 5
Connecting Rods and Pistons	6 - 7
Balancer Shaft & Front Plate	8 - 9
Timing Gear Cover	10 - 11
Auxiliary Drive	12- 15
Oil Filter	16 - 17
Dipsticks	18 - 20
Oil Filter Neck	21
Oil Pump, Drain & Pan	22 - 25
Cylinder Head with Valves	26 - 27
Rocker Cover, Rocker Shaft, Rocker Arm.....	28 - 29
Valve Cover.....	30 - 31

GROUP 2 - INTAKE & EXHAUST

Crankcase Breather Filter	0 - 3
Ventilating System	4
Air Intake	5
Exhaust Manifold.....	6 - 7
Turbocharger	8 - 9
Exhaust Elbow	10 - 11

GROUP 3 - COOLING SYSTEM

Heat Exchanger	0
Thermostat & Thermostat Cover	1 - 3
Water Pump & Water Pump Inlet.....	4 - 5
Raw Water Pump & Assembly	6 - 7
Oil Cooler.....	8

GROUP 4 - FUEL SYSTEM

Fuel Injection Pump & Fuel Lines	0- 3
Water Separator	4
Low Pressure Fuel Lines	5
Fuel Filter & Lines.....	6 - 9
Fuel Transfer Pump.....	10

GROUP 5 - ELECTRICAL SYSTEM

12 & 24 Volt, Standard & Isolated Ground	0 - 11
Engine Wiring Harness	12 - 13
Oil Pressure Manifold	14
Pre-Alarm Switches	15
Starter.....	16
Alternator & Mounting	17 - 23
DC Electrical Enclosure & Relay Panel	24 - 25
Relay Logic Board	26
Control Panels.....	27 - 28
Alternator Diode	29
Belt Tensioner	30
Belt Guard & Kit.....	31 - 33
Engine Sensors.....	34 - 35
Immersion Block Heater.....	36 - 37
Starter Relay.....	38 - 41

GROUP 6 - GASKETS

Engine Overhaul.....	0
----------------------	---

GROUP 8 - FRAMES & MOUNTING

Base Frames.....	0 - 3
------------------	-------

GROUP 9 - ACCESSORIES & OPTIONAL EQUIPMENT

PTO Electric Clutch.....	0- 1
PTO Adapter	2- 3
Electric Clutch	4 - 5
Low Oil Level Switch.....	6 - 7
Low Coolant Level Switch	8 - 9
Raw Water Flow Switch	10-11

Proprietary Information

This publication is the property of Northern Lights, Inc.

It may not be reproduced in whole or in part without the written permission of Northern Lights, Inc.

© Northern Lights, Inc. All rights reserved. Litho U.S.A. Publication number P65-3 11/15

MODEL DESIGNATION

- M 50 C13** = Northern Lights Tier III turbocharged marine diesel generator set with a John Deere 4045 engine, 50 kW.
- M 50 T13** = Northern Lights Tier III turbocharged marine diesel generator set with a John Deere 4045 engine, 50 kW.
- M 55 C13** = Northern Lights Tier III turbocharged marine diesel generator set with a John Deere 4045 engine, 55 kW.
- M 65 C13** = Northern Lights Tier III turbocharged marine diesel generator set with a John Deere 4045 engine, 65 kW.
- M 65 T13** = Northern Lights Tier III turbocharged marine diesel generator set with a John Deere 4045 engine, 65 kW.

All model numbers in parentheses will indicate a John Deere base engine. All variations requiring serial numbers for proper identification will be noted as Northern Lights or John Deere.

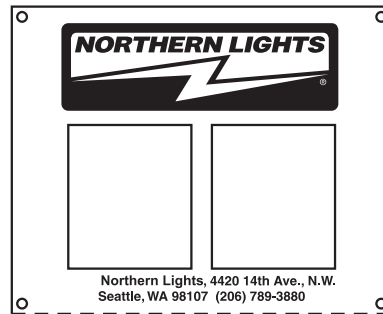
SERIAL NUMBERS

NORTHERN LIGHTS

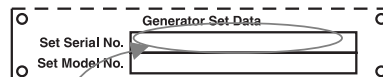
Your set has three serial numbers: ① an engine number stamped on the block, ② a generator plate, and ③ a generator set plate. Use the serial number on the **generator set plate** when ordering parts or in correspondence. The generator set plate is found on the service side of the generator and resembles one of the drawings below.



Lugger Serial Number



Generator Set Serial Number



Generator Set Serial Number

Reading a Parts Page

IMPORTANT:

Before selecting parts, be sure that you are choosing parts from the correct page.
Check the model designation at the page top.
Do not use this illustration for parts purchasing.

1 — ELECTRICAL SYSTEM

ALTERNATOR ASSEMBLY: M - NL673

KEY	PART NUMBER	QTY.	DESCRIPTION	SERIALNUMBER
0	185046210	1	Alternator Assembly — 10	-
1	185446219	1	Flywheel, complete	-
2	185446217	1	Plate, complete	-
3	185716200	1	Plate	-
4	185446218	1	Stator, complete	-
5	040126210	2	Bearing	-
6	020210010	1	Nut	-
7	027100010	1	Spring washer	-
8	026100010	1	Washer	-
9	185446220	1	Clamp	-
10	015140408	1	Screw	-
11	015140425	2	Screw	-
12	199236510	1	Collar	-

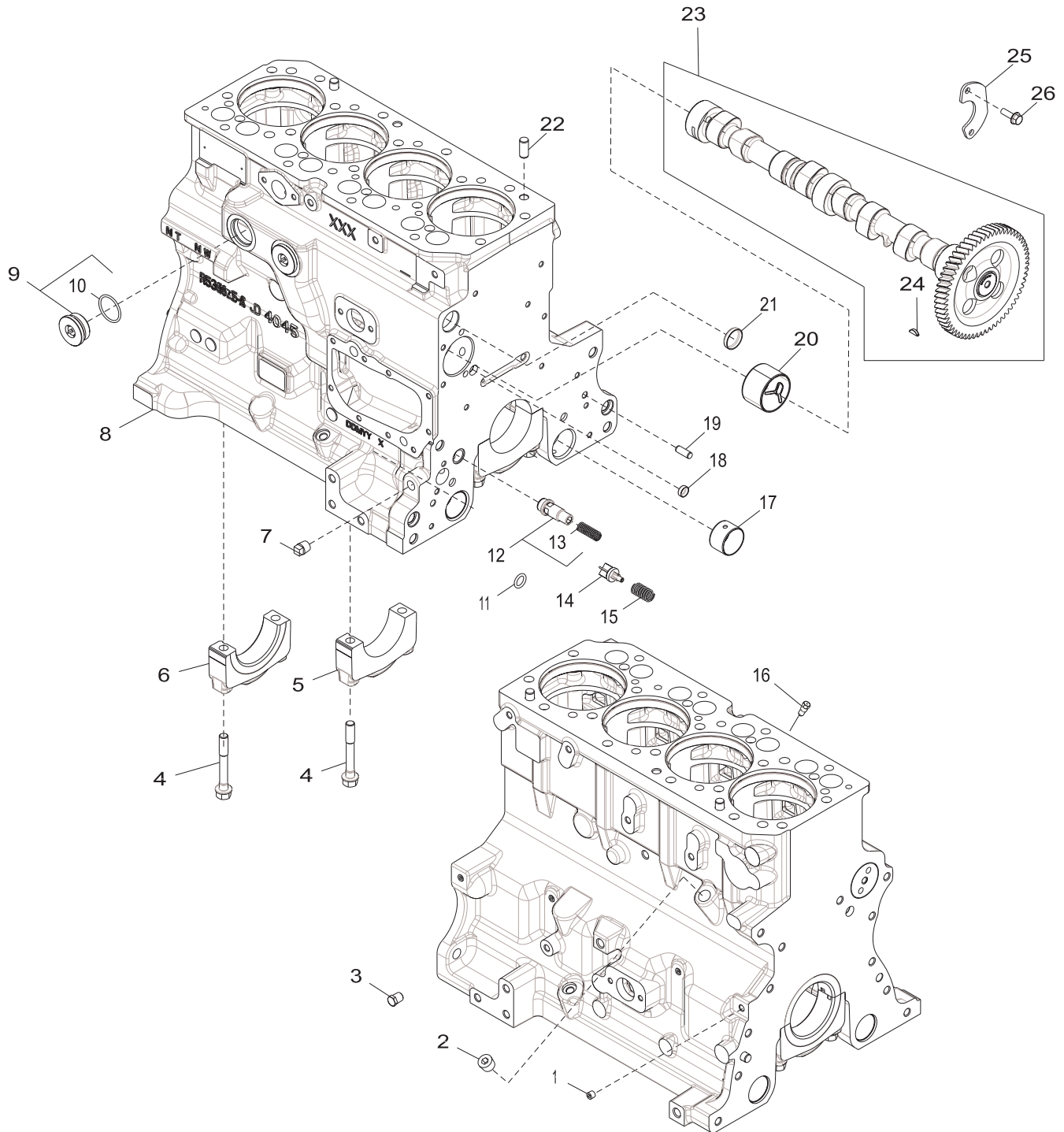
13 — P673 06/96 — 14
11 — 5-2 — 12

REFERENCES:

- | | |
|--|---|
| <ol style="list-style-type: none"> 1. Grouping section title. 2. Model designation of equipment that uses parts listed on this page. 3. Title and description of assembly. 4. Drawing numbers that correspond to key column numbers for parts identification. 5. Key column for locating parts shown on drawing. 6. Part number. | <ol style="list-style-type: none"> 7. Quantity of parts used. 8. Description of each component part. 9. Serial number of unit the part fits. 10. Assembly or kit designated by Key 0 or •/•. 11. Grouping index number. 12. Page number within the grouping index. 13. Manual title. 14. Page publication date. |
|--|---|

NOTE: ⇨ Arrows always point toward the front of the engine.

Cylinder Block

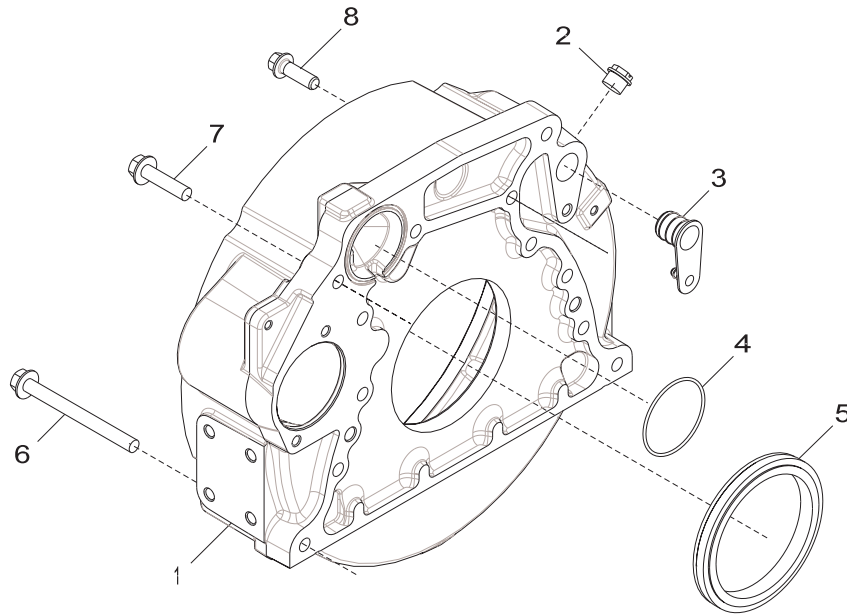


4652_RE532352_PCD

Cylinder Block

KEY	PART NUMBER	QTY	DESCRIPTION	SERIAL NUMBER
1	R104592	1	Pipe Plug	-
2	15H584	1	Pipe Plug 1/2"	-
3	R55233	1	Pipe Plug	-
4	R528387	10	Cap Screw	-
5	R114241	4	Bearing Cap	-
6	R114240	1	Bearing Cap	-
7	15H695	1	Pipe Plug 3/8"	-
8	RE532716	1	Short Block Assembly	-
9	RE508185	2	Fitting	-
10	U13639	1	O-Ring	-
11	R97185	1	O-Ring	-
12	RE505501	1	Bleed Valve	-
13	R131425	1	Compression Spring	-
14	R121043	1	Valve	-
15	R111137	1	Spring	-
16	R131182	4	Orifice	-
17	R115299	6	Bushing	-
18	T18891	2	Plug	-
19	B153R	2	Dowel Pin	-
20	R119874	1	Bushing	-
21	R116466	1	Plug	-
22	A120R	4	Dowel Pin	-
23	RE507595	1	Camshaft	-
	SE501815	1	Camshaft Reman REMAN FOR RE507595	-
24	R133303	1	Shaft Key	-
25	R132518	1	Plate	-
26	19M8999	2	Screw M8 X 25	-

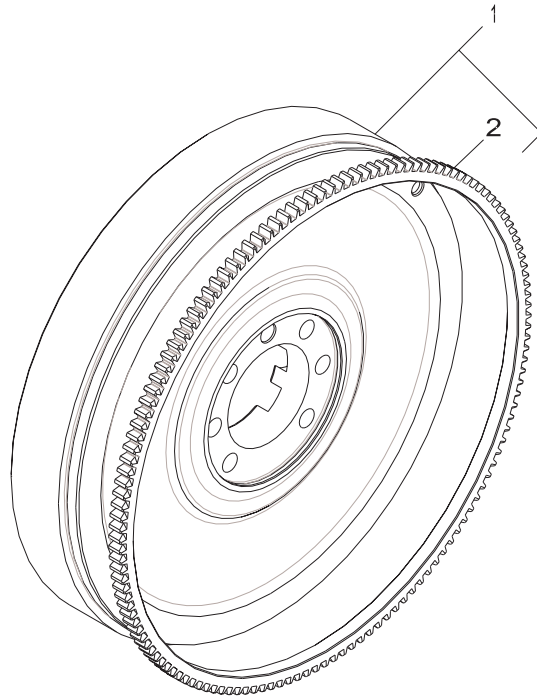
Flywheel Housing



1402_RE59302_PCD

KEY	PART NUMBER	QTY	DESCRIPTION	SERIAL NUMBER
1	R503447	1	Housing SAE #4	-
2	AR106083	1	Plug	-
3	R131765	1	Plug	-
4	R61467	1	O-Ring	-
5	RE44574	1	Seal	-
6	19M7838	2	Screw M12 X 130	-
7	19M8306	2	Screw M12 X 50	-
8	R135918	8	Bolt	-

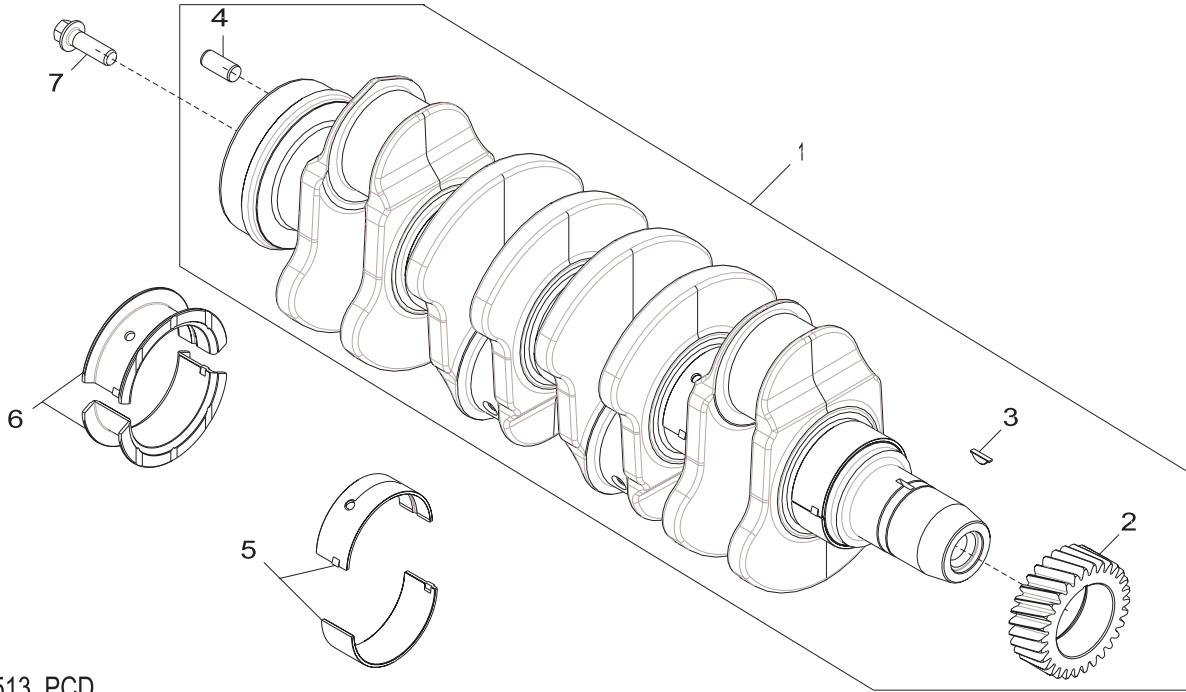
Flywheel



1507_RE59287_PCD

KEY	PART NUMBER	QTY	DESCRIPTION	SERIAL NUMBER
1	RE58574	1	Flywheel SAE #10 (MARKED R122409 - Includes key 2)	-
2	R114282	1	Ring Gear (142 teeth)	-

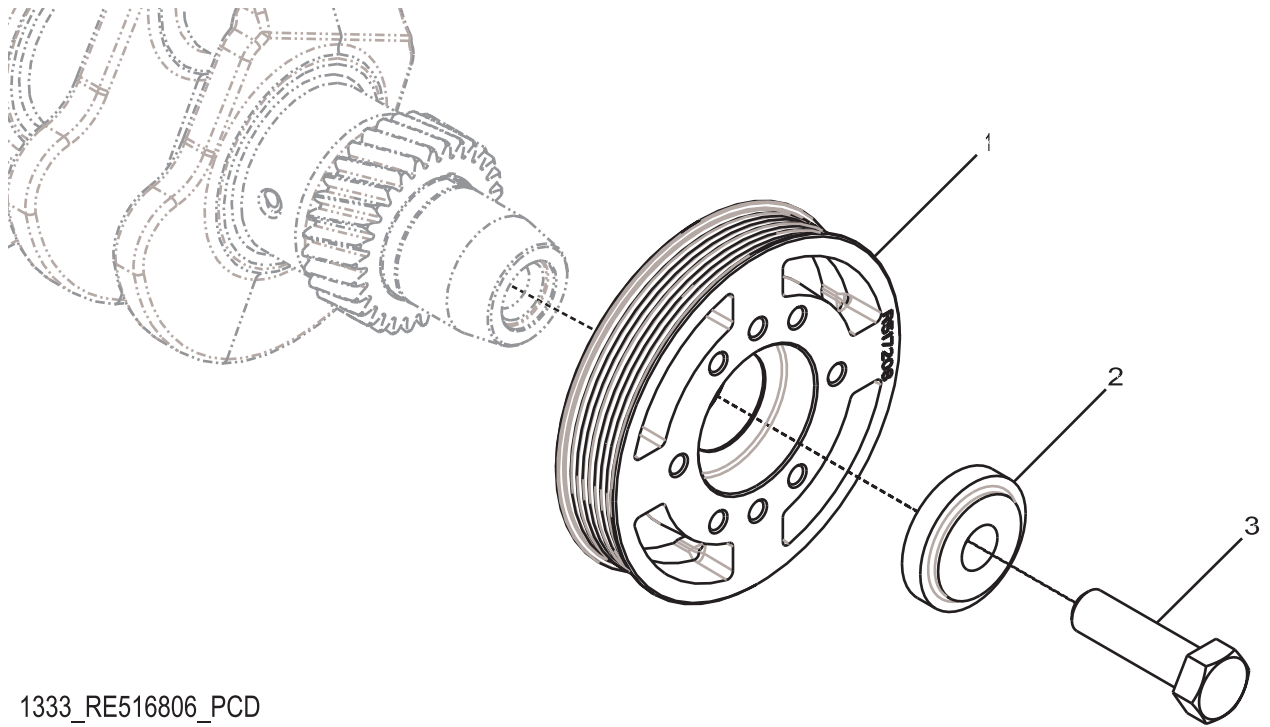
Crankshaft and Bearings



4715_RE515513_PCD

KEY	PART NUMBER	QTY	DESCRIPTION	SERIAL NUMBER
1	RE506195	1	Crankshaft (A)	-
	SE501656	1	Crankshaft Reman (B) REMAN FOR RE506195	-
2	R120631	1	Gear	-
3	R505609	1	Shaft Key	-
4	R48685	1	Dowel Pin	-
5	RE65165	4	Bearing Kit STD; KIT R123561 AND R123562	-
6	RE65168	1	Bearing Kit STD; KIT R123563 AND R123564	-
7	R135918	4	Bolt	-
			(A) Grinding Guidelines : See CTM104	
			(B) With Bearings	

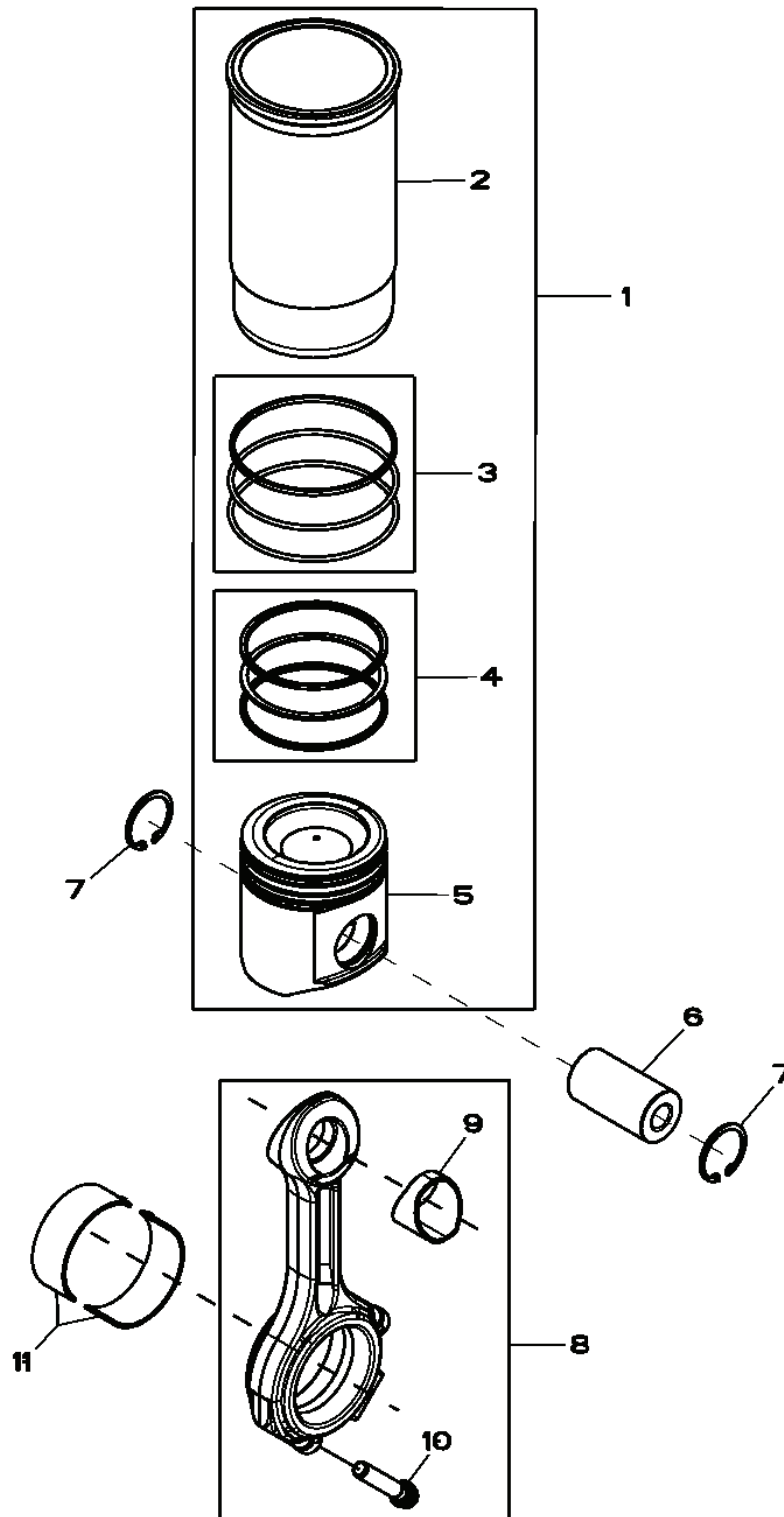
Crankshaft Pulley



1333_RE516806_PCD

KEY	PART NUMBER	QTY	DESCRIPTION	SERIAL NUMBER
1	R517208	1	Pulley	-
2	R517237	1	Bushing	-
3	R516648	1	Cap Screw	-

Connecting Rods and Pistons



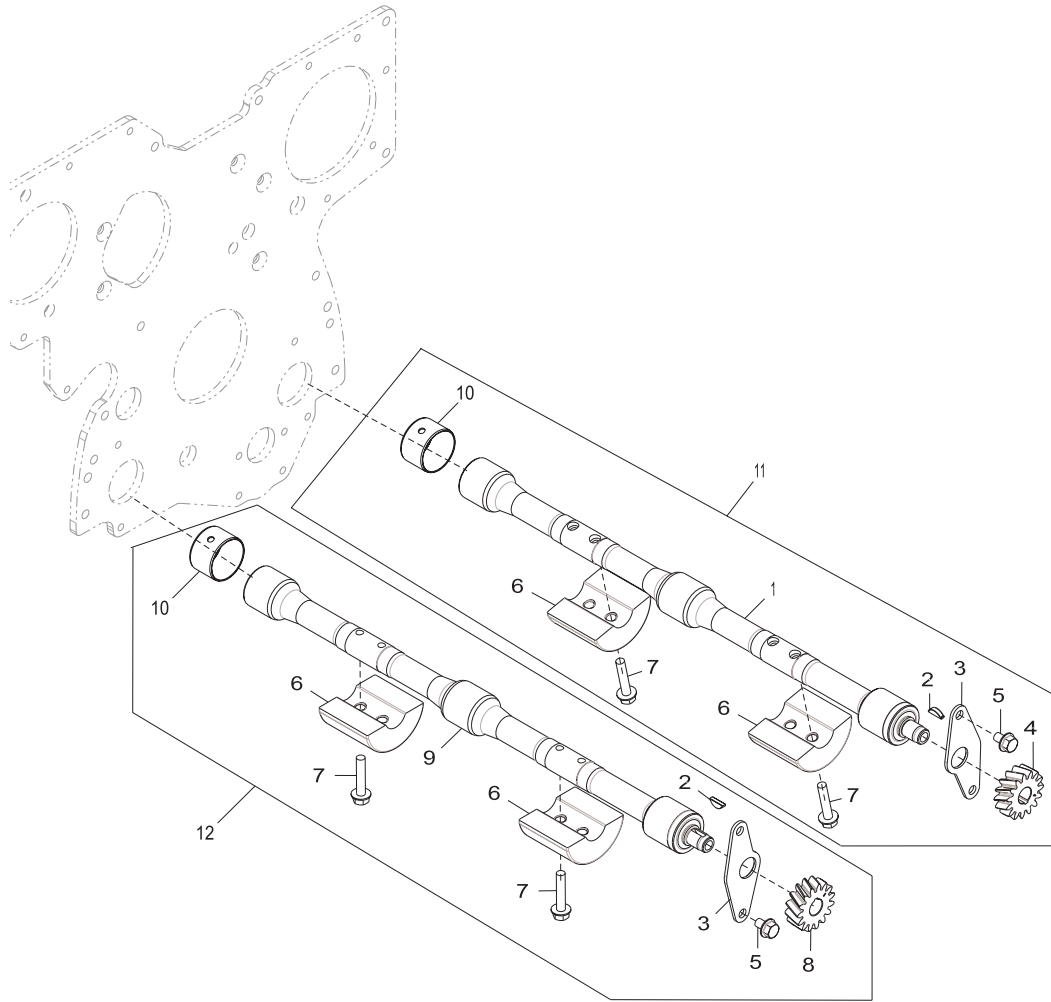
RE525600PCDB01

Connecting Rods and Pistons

KEY	PART NUMBER	QTY	DESCRIPTION	SERIAL NUMBER
1	RE536083	4	Piston-Liner Kit	-
2		1	Cylinder Liner 1 (ORDER RE536083)NSEP	-
3	AR65507	1	O-Ring Kit	-
4	RE527844	10	Piston Ring Kit (PKG 3)	-
5		1	Piston (MARKED RE527039) (ORDER RE536083)NSEP	-
6	R502755	4	Piston Pin OD= 41MM LGTH= 77MM	-
7	R54114	8	Snap Ring	-
8	RE500608	4	Connecting Rod (MARKED R500335)	-
	SE501094	1	Connecting Rod Reman (MARKED R500335) (REMAN FOR RE500608)	-
9	R114082	1	Bushing	-
10	R501124	2	Screw A= 61MM M12	-
11	RE65908	4	Bearing (KIT (2) R113698)STD	-
	RE65909	AR	Bearing AR (A) ID -0.254MM, (KIT (2) R130578)	-

GROUP 1 – ENGINE

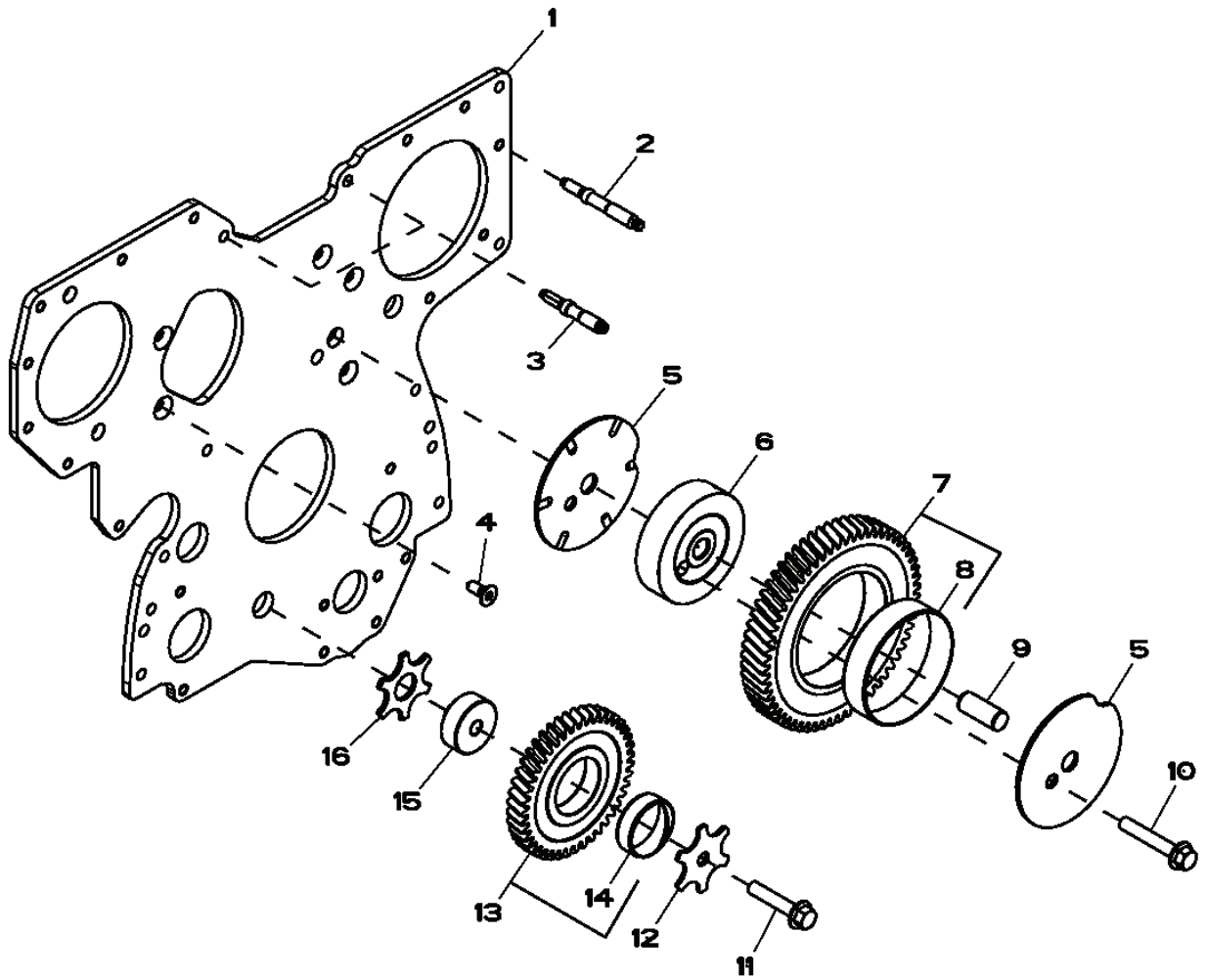
Balancer Shaft



4501_RE501264_PCD

Key	Part No.	Part Name	Qty.	Engine Serial No.	Remarks
1	Balancer Shaft	1		NSEP; MARKED RE500449; ORDER RE502446; LH
2	R133303	Shaft Key	1		
3	R116078	Plate	1		
4	R120639	Gear	1		Z = 15, LH
5	19M8998	Screw	4		M8 X 12
6	R500650	Weight	4		
7	19M8882	Screw	8		M8 X 40
8	R120637	Gear	1		Z = 15, RH
9	Balancer Shaft	1		NSEP; MARKED RE500448; ORDER RE502447; RH
10	R115299	Bushing	1		
11	RE502446	Balancer Shaft	2		LH
12	RE502447	Balancer Shaft	1		RH

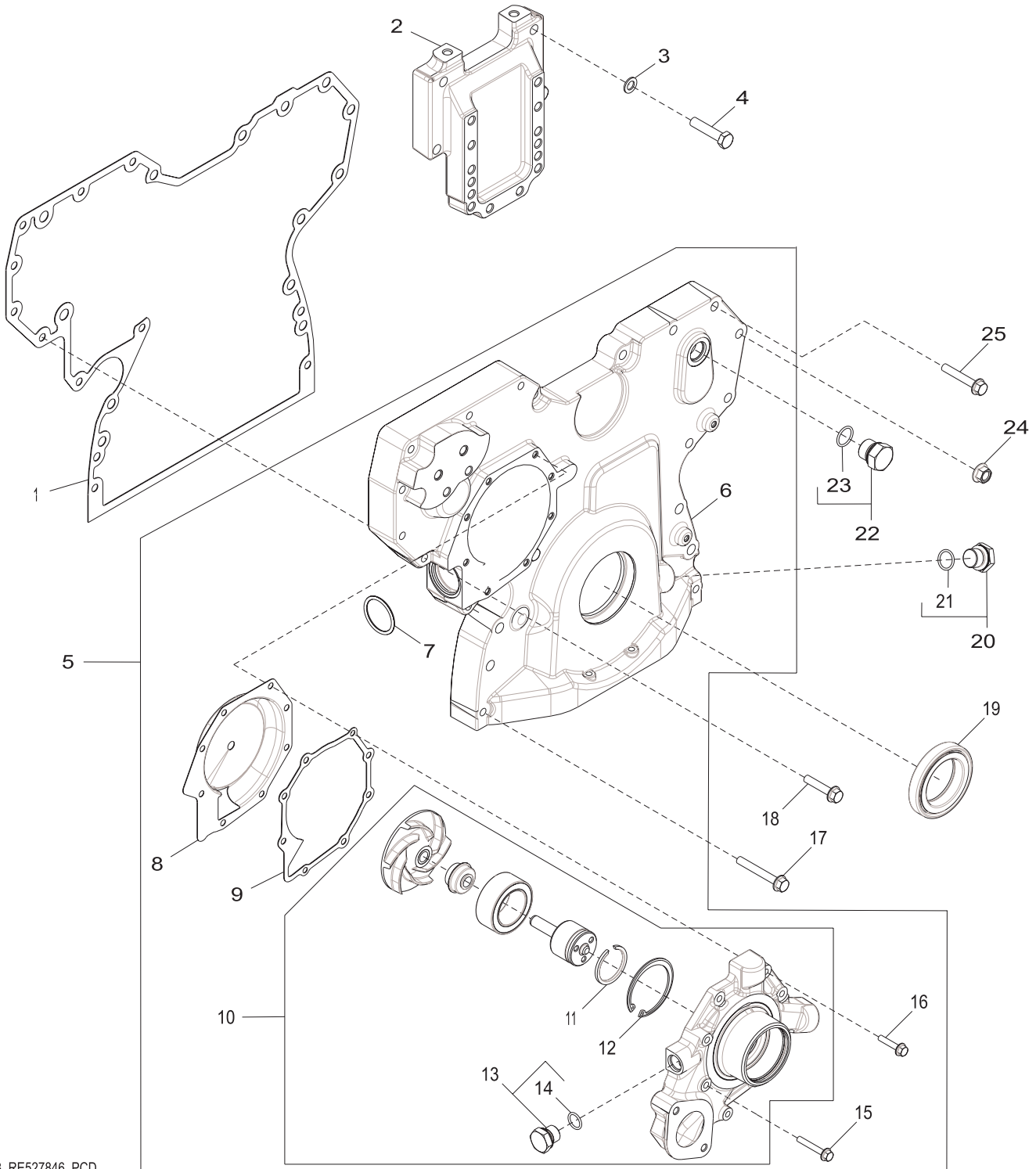
Front Plate



RE506566PCDD03

Key	Part No.	Part Name	Qty.	Engine Serial No.	Remarks
1	R504282	Plate	1		
2	R123584	Stud	7		
3	R134518	Stud	2		
4	R136475	Screw	5		
5	R515494	Thrust Washer	2		
6	R504843	Shaft	1		
7	RE508489	Gear	1		(MARKED R504614)
8	Bushing	1		
9	R515408	Dowel Pin	1		
10	19M8844	Screw	1	M10 X 60	
11	19M8966	Screw	1	M10 X 50	
12	R131283	Thrust Washer	1		
13	RE56369	Gear	1		
14	R114193	Bushing	1		
15	R114194	Shaft	1		
16	R101225	Thrust Washer	1		

Timing Gear Cover & Coolant Pump



4443_RE527846_PCD

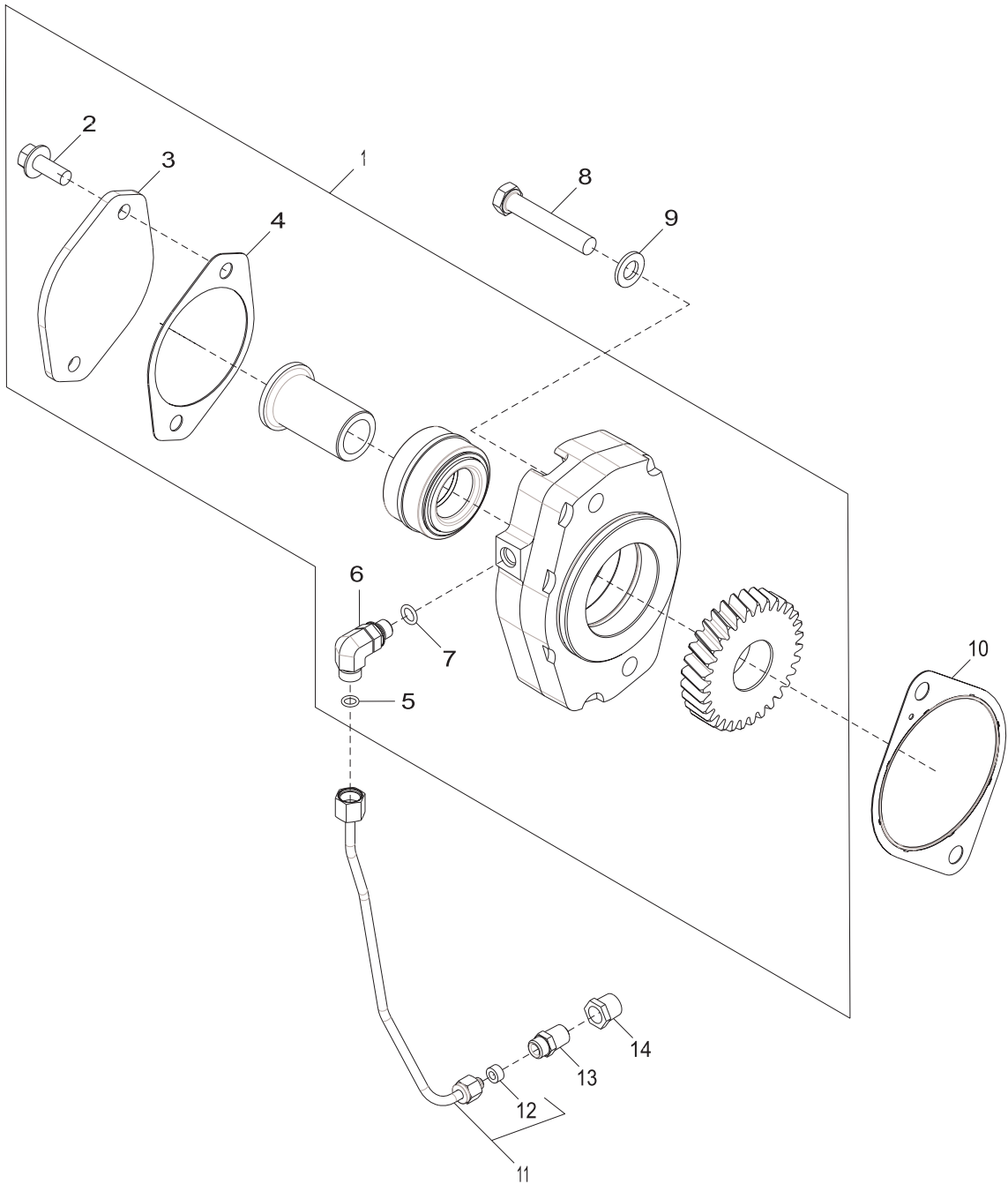
Timing Gear Cover & Coolant Pump

Key	Part No.	Part Name	Qty.	Engine Serial No.	Remarks
1	R526944	Gasket	1		
2	R522907	Support	1		
3	24M7096	Washer	4		10.500 X 18 X 1.600 mm
4	19M8488	Cap Screw	4		M10 X 45
5	RE527847	Cover	1		
6	RE509865	Cover	1		
7	R504734	O-Ring	1		
8	RE508566	Insert	1		
9	R123417	Gasket	1		
10	RE527848	Coolant Pump*	1		
11	A364R	Snap Ring	1		
12	R71228	Ring	1		
13	RE46685	Fitting Plug	1		
14	16-09503	O-Ring	1		15.300 X 2.200 mm
15	19M7797	Screw	3		M6 X 40
16	19M7796	Screw	5		M6 X 30
17	19M7801	Screw	3		M8 X 60
18	19M8317	Screw	1		M8 X 40
19	RE538097	Seal	1		
20	RE517370	Hex Plug M20 x 1.5	**		
21	51M7044	O-Ring	1		17.300 X 2.200 mm
22	RE46687	Drain PI M22 x 1.5ug	1		
23	16-09501	O-Ring	1		19.300 X 2.200 mm
24	14M7296	Flange Nut	9		M10
25	19M7800	Screw	8		M8 X 50

** As Required

*ALSO ORDER S/S Insert Kit RE508566 AND Gasket R123417

Auxiliary Drive



5202_RE59502_PCD

Auxiliary Drive

Key	Part No.	Part Name	Qty.	Engine Serial No.	Remarks
1	RE500825	Adapter Fitting	1		
2	19M7785	Screw	2		M10 X 25
3	R85145	Cover	1		
4	R96935	Gasket	1		
5	T77814	O-Ring	1		
6	38H5015	Elbow Fitting	1		M12 X 1.5 X 9/16"-18 UNF, ALSO ORDER T77814
7	51M7040	O-Ring	1		9.300 X 2.200 mm
8	19M7753	Cap Screw	2		M12 X 70
9	24M7047	Washer	2		13 X 24 X 2.500 mm
10	R522690	Gasket	1		
11	RE506914	Oil Line*	1		
12	R51936	Sealing Washer*	1		
13	R110664	Coupling*	1		1/4"-18 NPT X 1/2"-24 UNS
14	15H700	Pipe Bushing*	1		1/4", 3/8"-18 NPT X 1/4"-18 NPT

* Note: Keys #11-14 ysed only on M65C13 keel cooled models on standard base frame.
See auxiliary drive oil supply for all M50T13 - M65C13 heat exchanger cooled models equipped with PTO/Electric clutch option.

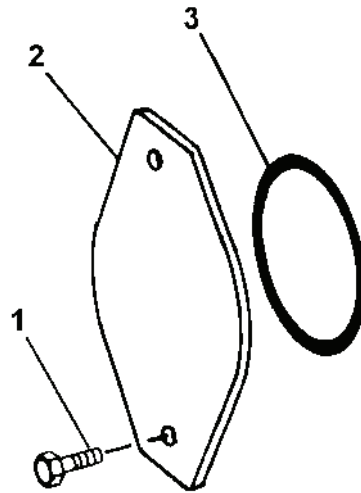
GROUP 1 – ENGINE

930 Auxiliary Drive Oil Supply Conversion Parts * M65T13

INCLUDING M65C13 HE MODELS WITH PTO / ELECTRIC CLUTCH

KEY	PART NUMBER	QTY	DESCRIPTION	SERIAL NUMBER
1	18-69502	1	Hose Assembly 1/4"ID x 15"	-
2	16-69501	2	O-Ring	-
3	N275799	1	Restriction Orifice	-
4	21-52800	1	Male Connector 3/8 NPT x 3/8-37T *	-
5	21-69501	1	M. Elbow 90, Stl. M12 x 1.5 x 3/8 O-Ring Face Seal	-
6	21-59519	1	Swivel Elbow 45° 3/8 NPT - 37T *	-
			* Connector and Swivel Elbow replace Male 45° Elbow 21-00605 (new parts ease installation)	

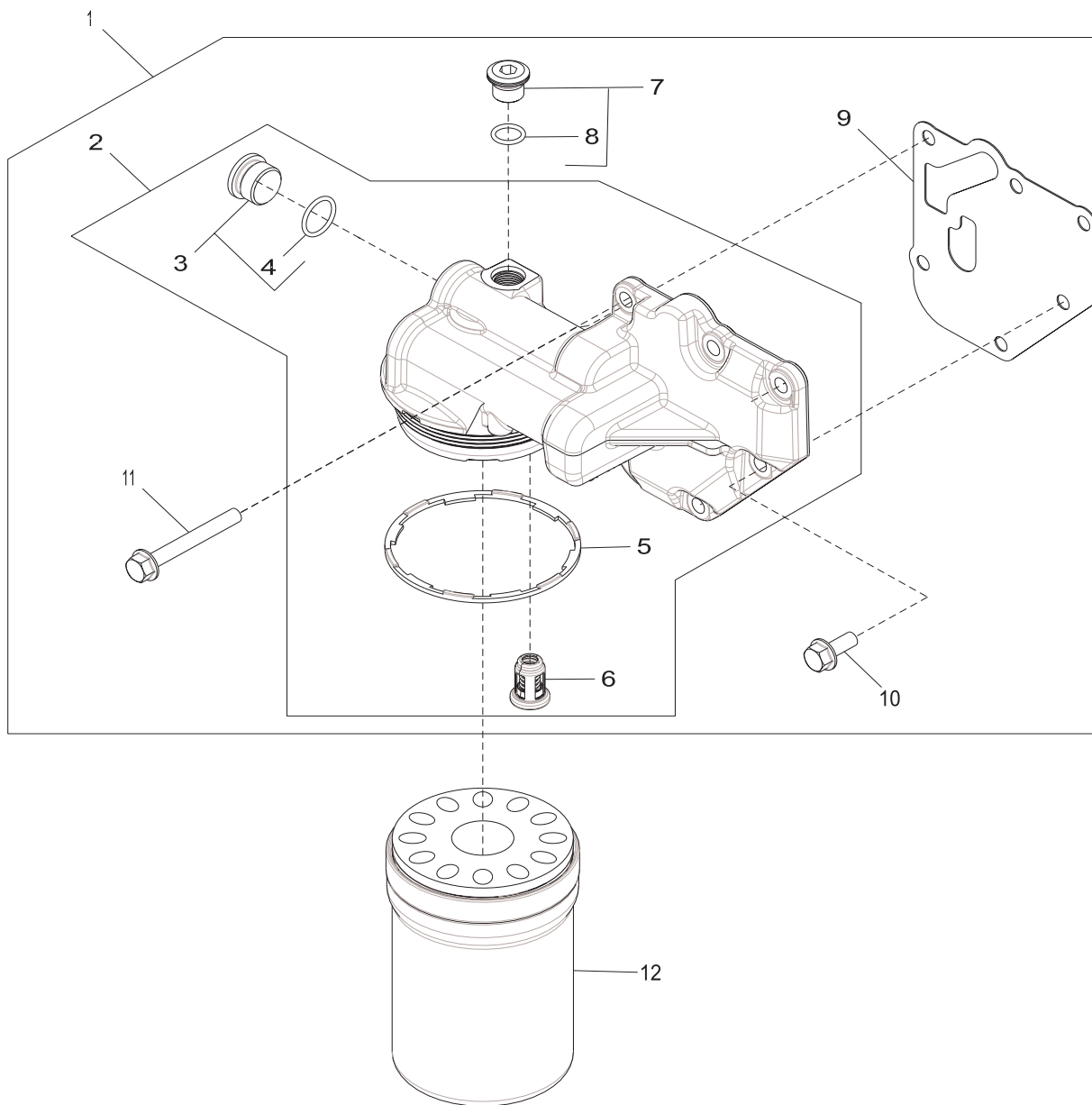
Auxiliary Drive Cover



TP50752

Key	Part No.	Part Name	Qty.	Serial No.	HF475	Remarks
1	19M7790	Screw	2			M12 X 35
2	R135757	Cover	1			
3	16-19503	O-Ring	1			107.620 X 2.616 mm (4.237" X 0.103")

Oil Filter

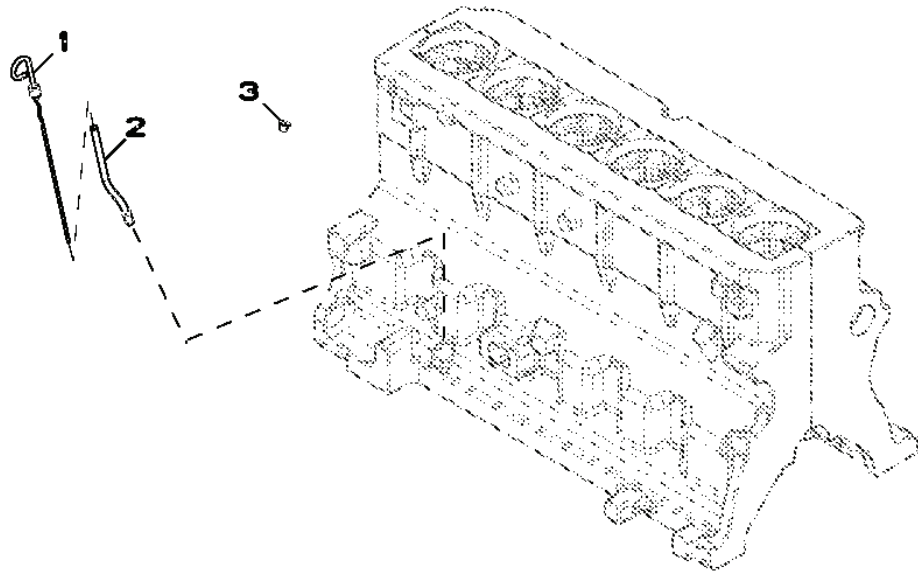


8843_RE508950_PCD

Oil Filter

<i>Key</i>	<i>Part No.</i>	<i>Part Name</i>	<i>Qty.</i>	<i>Engine Serial No.</i>	<i>Remarks</i>
1	RE508987	Filter Head	1		
2	RE504564	Filter Head	1		
3	RE505232	Fitting Plug	2		
4	16-09501	O-Ring	1		
5	R502513	Seal	1		
6	RE504543	Valve	1		
7	RE52242	Drain Plug	1		
8	16-00016	O-Ring	1		
9	R500374	Gasket	1		
10	RE67238	Screw	1		
11	19M7802	Screw	5		M8 X 65
12	24-09501	Oil Filter	1		

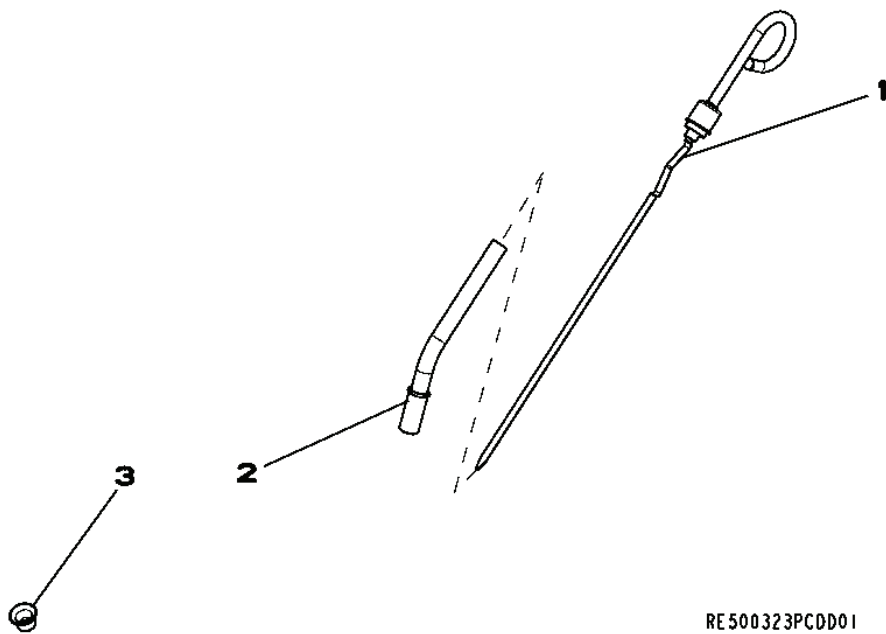
Engine Oil Dipstick



RE58181PCDD02

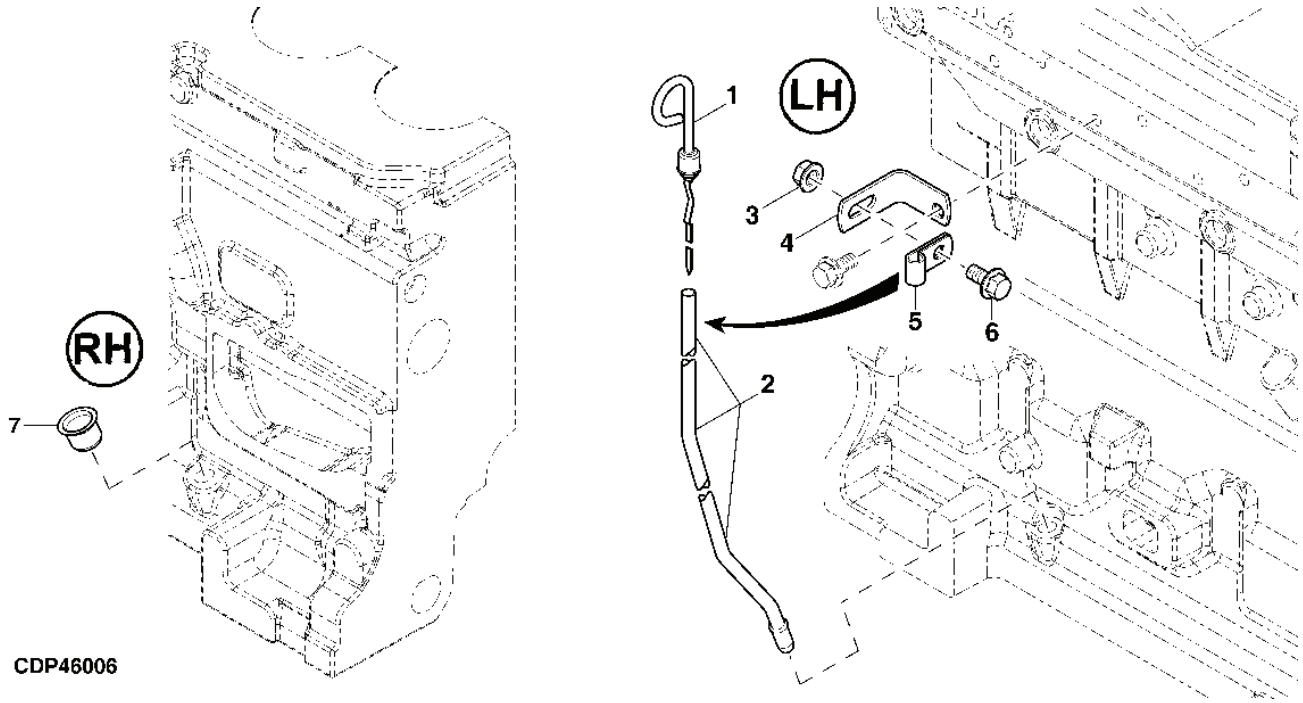
Key	Part No.	Part Name	Qty.	Engine Serial No.	Remarks
1	RE69243	Dipstick	1		
2	R502604	Dipstick Tube	1		
3	R502725	Plug	1		

Engine Oil Dipstick



Key	Part No.	Part Name	Qty.	Engine Serial No.	Remarks
1	RE500168	Dipstick	1	LH	
2	R500116	Dipstick Tube	1	LH	
3	R502725	Plug	1	RH	

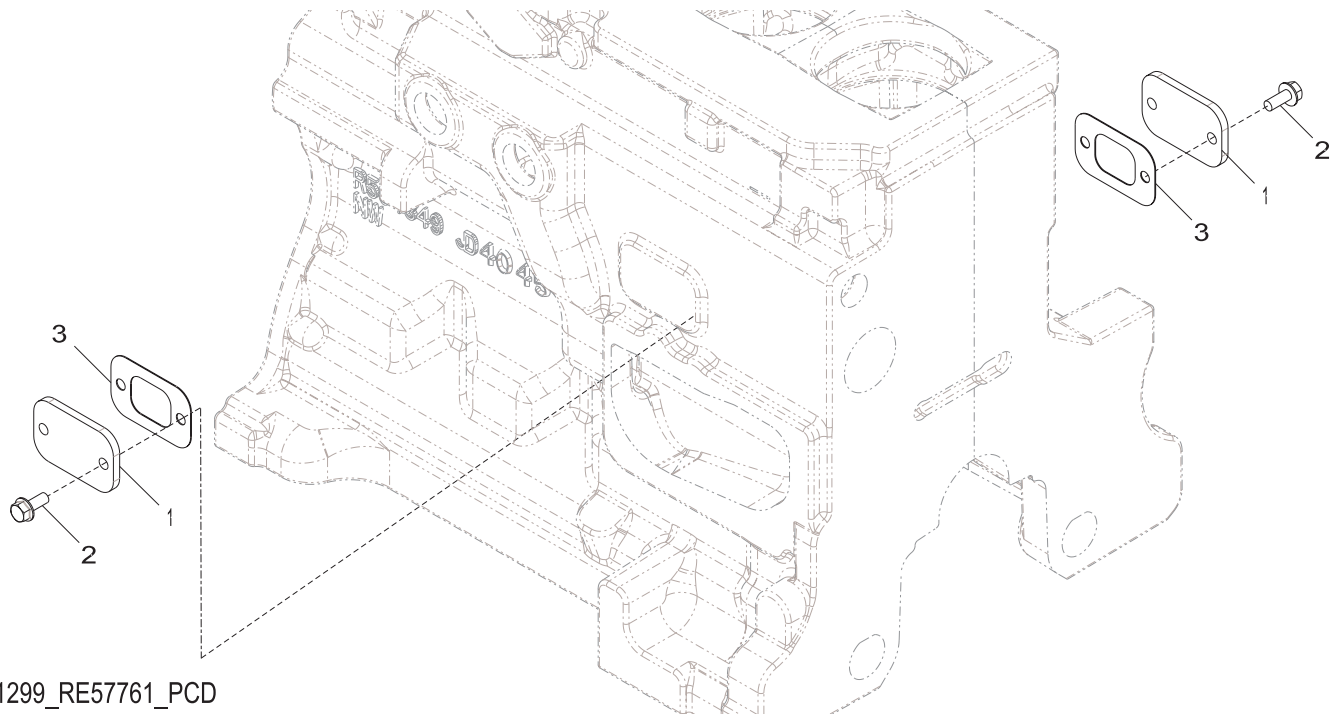
Engine Oil Dipstick



CDP46006

Key	Part No.	Part Name	Qty.	Engine Serial No.	DFM50 TFM50	Remarks
1	RE66178	Dipstick	1		XX	LH
2	R516308	Dipstick Tube	1		XX	LH
3	14M7296	Flange Nut	1		XX	M10
4	R116116	Bracket	1		XX	
5	T28862	Clamp	1		XX	
6	19M7784	Screw	1		XX	M10 X 20
7	R502725	Plug	1		XX	RH

Oil Filter Neck



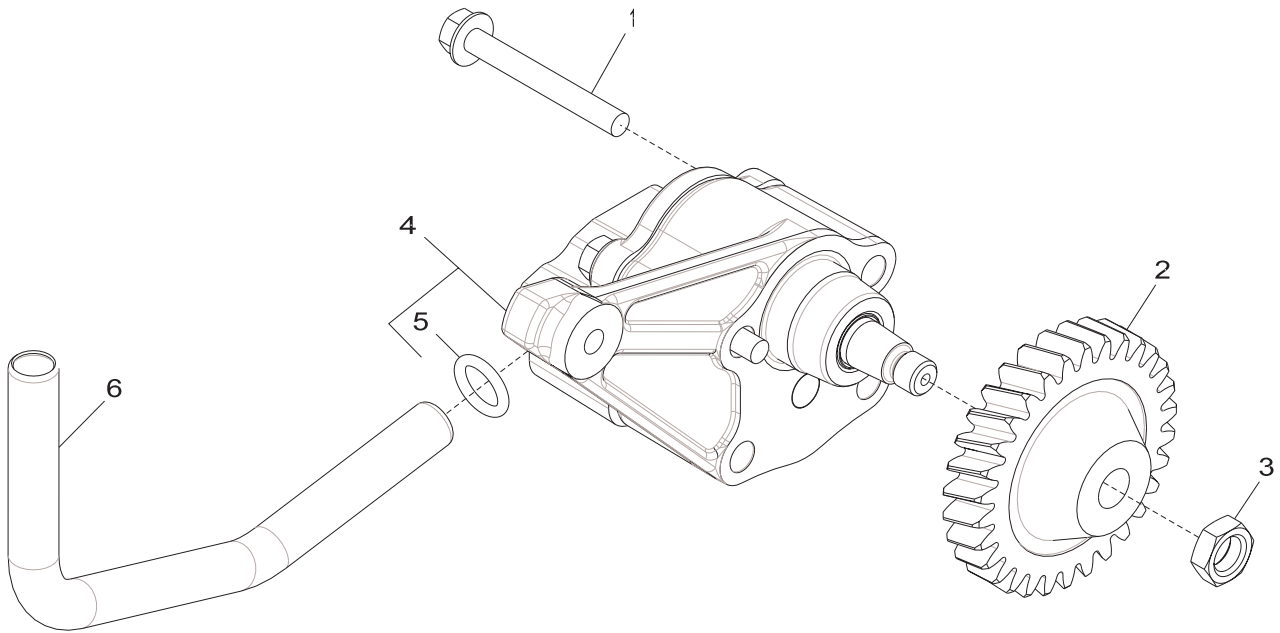
1299_RE57761_PCD

Key	Part No.	Part Name	Qty.	Engine Serial No.	Remarks
1	R116296	Cover	2		
2	RE67238	Screw	4	(A)	
3	R136495	Gasket	2		

(A) Threads With Pre-Applied Sealant
 Filetages avec produit d'étanchéité préappliqué
 Gewinde mit voraufgetragenem Dichtmittel
 Filetti con sigillante preapplicato
 Roscas con pasta selladora preaplicada
 Gångor med redan applicerat tätningmedel

GROUP 1 – ENGINE

Oil Pump



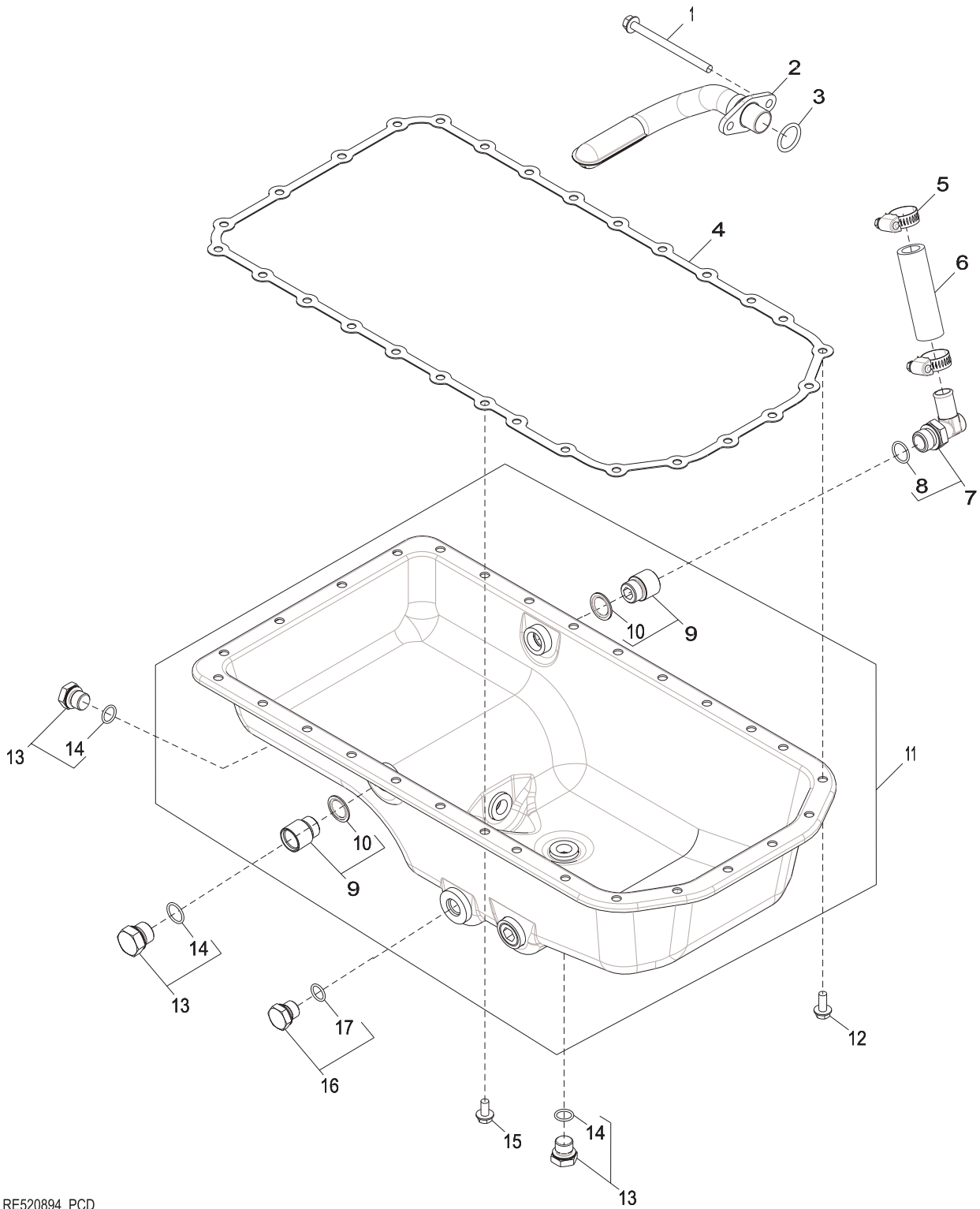
5001_RE57763_PCD

Key	Part No.	Part Name	Qty.	Engine Serial No.	Remarks
1	19M7802	Screw	2		M8 X 65
2	R120638	Gear	1		Z = 30
3	14M7066	Nut	1		M12
4	RE504914	Oil Pump	1		
5	R97185	O-Ring	1		
6	R121376	Tube	1		

Oil Drain M65T13

KEY	PART NUMBER	QTY	DESCRIPTION	SERIAL NUMBER
1	21-04816	1	Street Elbow, 90, Stl 3/4NPT x 1/2NPT	-
2	21-00134	1	Bushing, Brass 1/2NPT x 3/8NPT	-
3	36-71002	1	Shut-Off Valve, Brass 3/8NPT x 1/2-45T	-
4	21-71042	2	F. Swivel, Brass 1/2HB x 1/2-45T Push-On (Universal Seat)	-
5	41-01032	10	Hose 1/2"ID Push-On	-
6	21-71040	1	M. Connector Brass 1/2NPT x 1/2-45T	-

Oil Pan

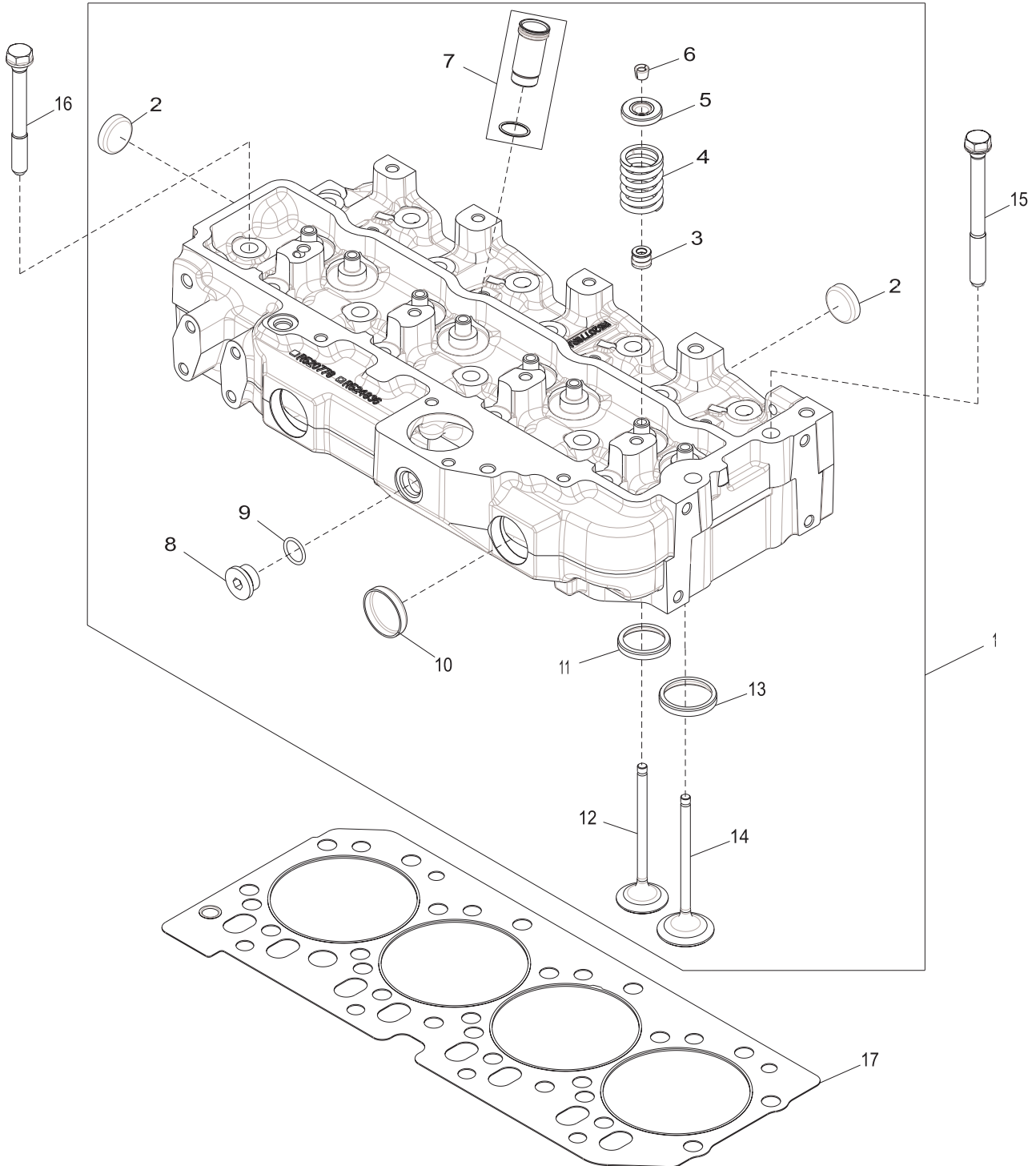


19AG_RE520894_PCD

Oil Pan

Key	Part No.	Part Name	Qty.	Engine Serial No.	Remarks
1	19M10075	Screw	2		M8 X 110
2	RE516280	Oil Pump Intake	1		
3	R61871	O-Ring	1		
4	R521493	Gasket	1		
5	RE65978	Clamp	2		
6	R523372	Hose	1		
7	RE502699	Elbow Fitting	1		
8	16-09502	O-Ring	1		19.300 X 2.200 mm
9	RE529802	Adapter Fitting	2		
10	R519742	Seal	2		
11	RE520147	Oil Pan	1		
12	19M8062	Screw	6		M8 X 20
13	RE46685	Fitting Plug	3		
14	16-09503	O-Ring	3		15.300 X 2.200 mm
15	19M8163	Bolt	22		M8 X 16
16	RE46687	Drain Plug	1		
17	16-09501	O-Ring	1		19.300 X 2.200 mm

Cylinder Head with Valves

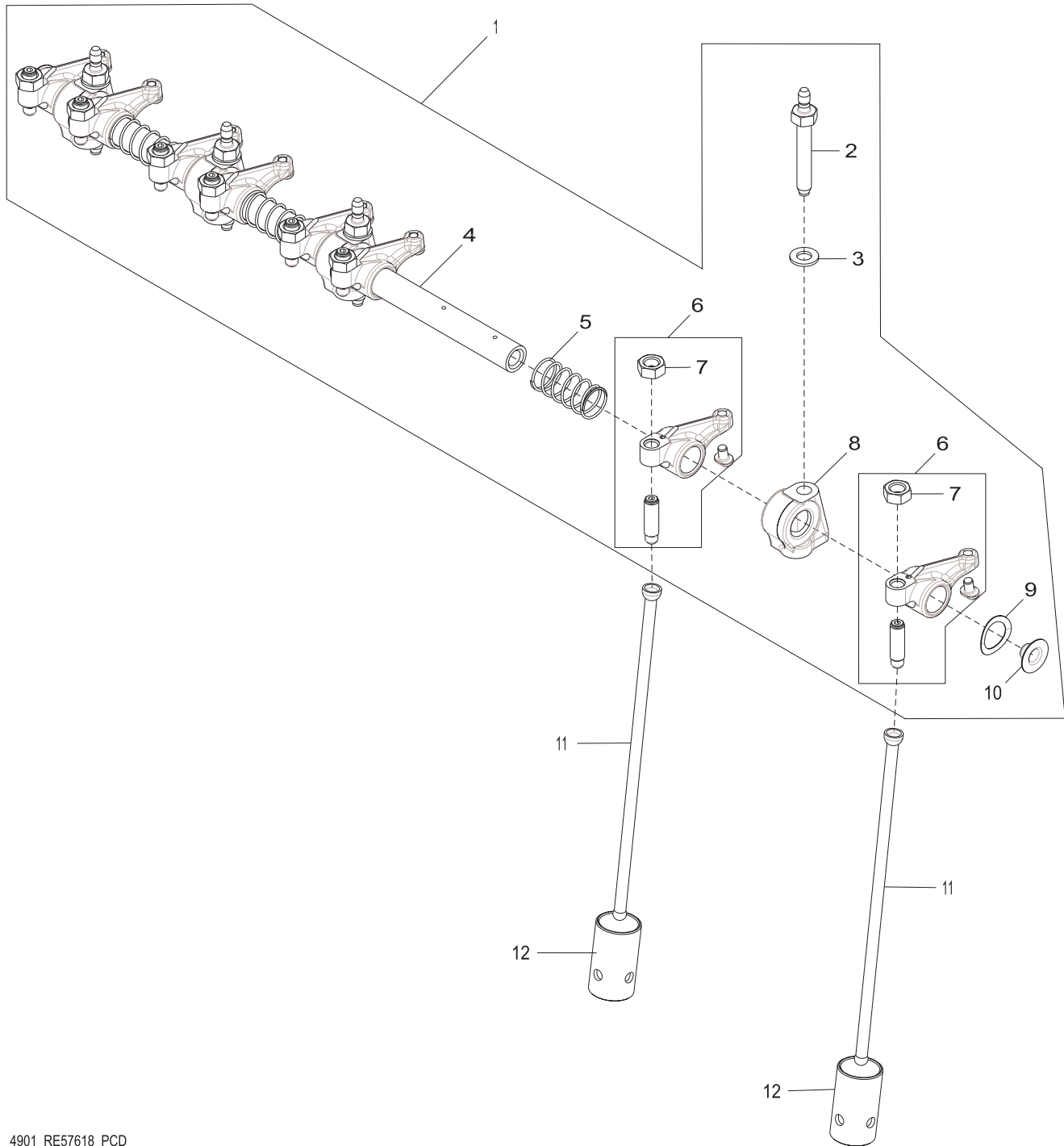


5130_RE532329_PCD

Cylinder Head with Valves

<i>Key</i>	<i>Part No.</i>	<i>Part Name</i>	<i>Qty.</i>	<i>Engine Serial No.</i>	<i>Remarks</i>
1	RE532328	Cylinder Head	1		
	SE501809	Cylinder Head Reman	1		REMAN FOR RE532328
2	CD16284	Plug	4		
3	RE31617	Seal	8		
4	R26125	Spring	8		
5	RE60005	Rotator	8		
6	R91889	Retainer	16		
7	RE527456	Sleeve	4		
8	T58477	Fitting	1		ALSO ORDER R26906
9	R26906	O-Ring	1		
10	R43409	Plug	2		
11	R106829	Valve Seat Insert	4		
12	R90692	Exhaust Valve	4		
13	R106831	Valve Seat Insert	4		
14	R98062	Intake Valve	4		
15	R534091	Cap Screw	2		
16	R85363	Cap Screw	16		
17	R116515	Engine Cylinder Head Gasket	1		

Rocker Arm, Rocker Arm Shaft & Cam Follower

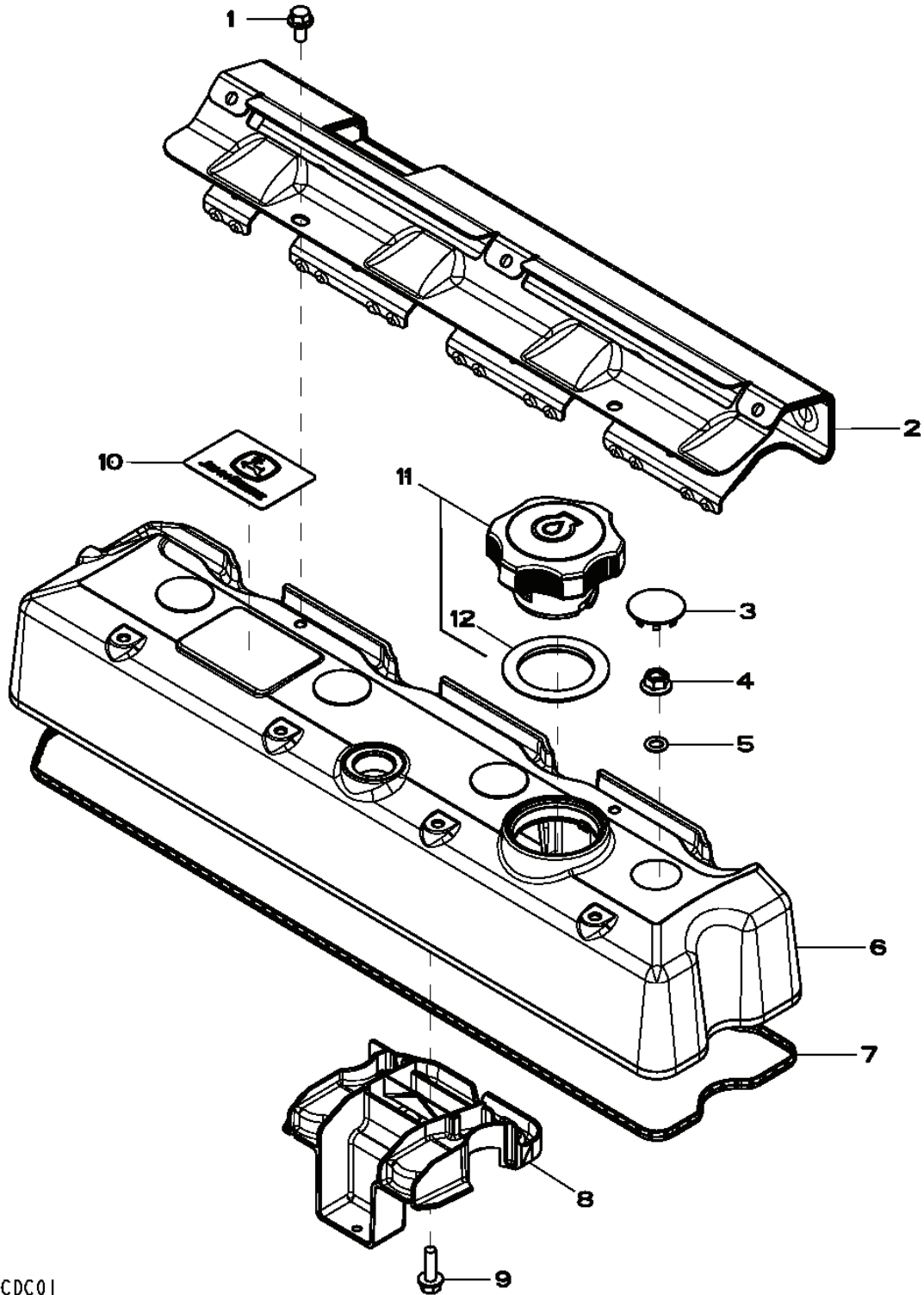


4901_RE57618_PCD

Rocker Arm, Rocker Arm Shaft & Cam Follower

<i>Key</i>	<i>Part No.</i>	<i>Part Name</i>	<i>Qty.</i>	<i>Engine Serial No.</i>	<i>Remarks</i>
1	RE547827	Rocker Arm Shaft	1		
2	R123271	Stud	4		
3	R529416	Washer	4		
4	R123513	Rocker Arm Shaft	1		
5	T20314	Spring	3		
6	RE508317	Rocker Arm	8		
7	14M7148	Nut	1		M10
8	R123161	Support	4		
9	T20316	Washer	2		
10	R54565	Plug	2		
11	R107731	Push Rod	8		
12	R123565	Cam Follower	8		

Valve Cover



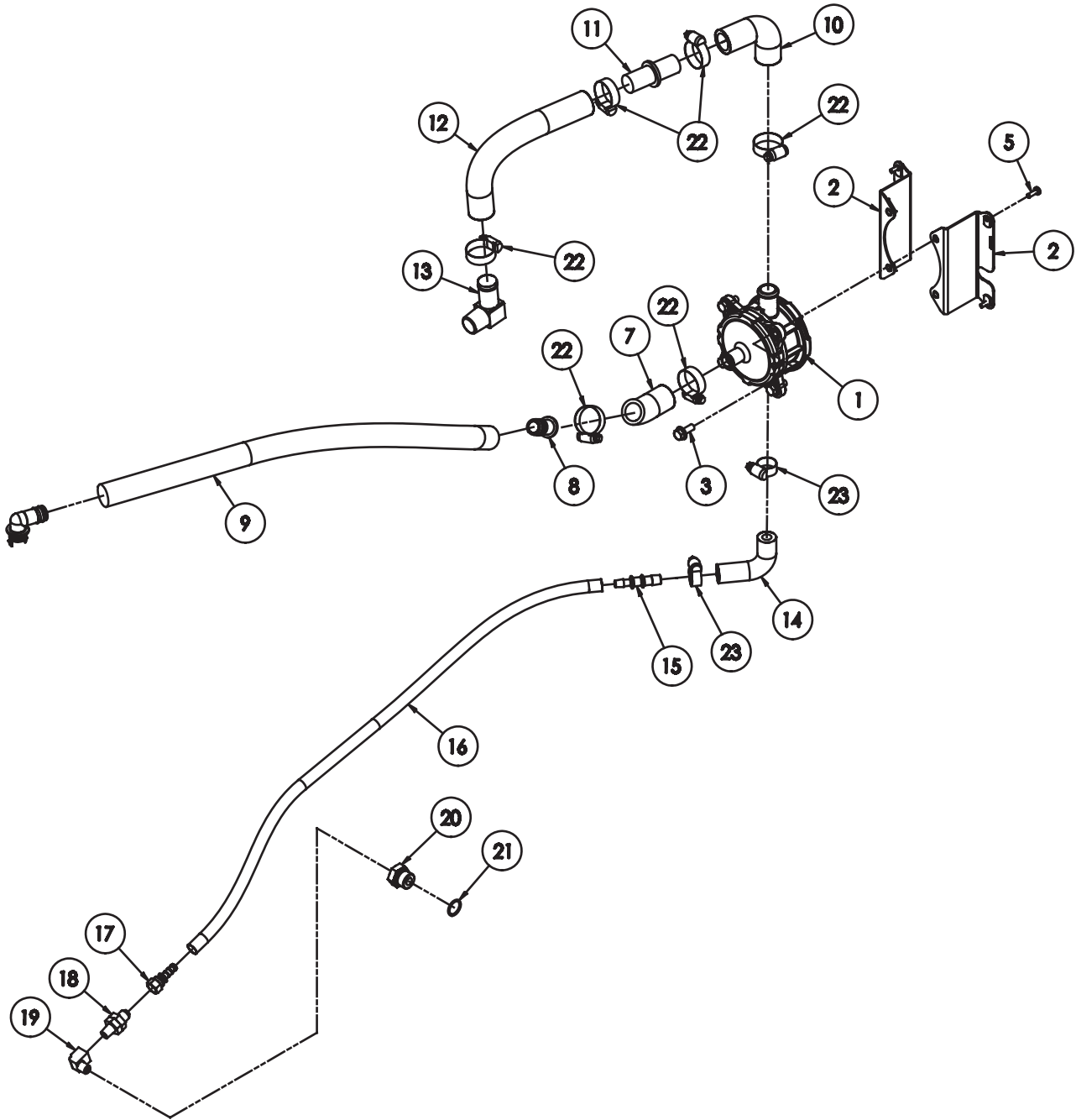
RE526369PCDC01

Valve Cover

Key	Part No.	Part Name	Qty.	Engine Serial No.	Remarks
1	RE527858	Screw	2		(A) M6 X 12
2	R522409	Heat Shield	1		
3	H23125	Plug	4		
4	R123574	Nut	4		M8
5	R123575	O-Ring	4		7.595 X 2.616 mm (0.299" X 0.103")
6	R521326	Valve Cover	1		
7	R524468	Gasket	1		SUB FOR R523925
8	RE528742	Deflector	1		
9	19M7862	Screw	1		M6 X 20
10	R521401	Medallion	1		
11	RE535560	Filler Cap	1		SUB FOR RE500005
12	R502902	Packing	1		ID = 44 mm

(A) Threads With Pre-Applied Sealant
 Filetages avec produit d'étanchéité préappliqué
 Gewinde mit voraufgetragenem Dichtmittel
 Filetti con sigillante preapplicato
 Roscas con pasta selladora preaplicada
 Gångor med redan applicerat tätningemedel

Crankcase Breather Filter M65T13



Crankcase Breather Filter M65T13

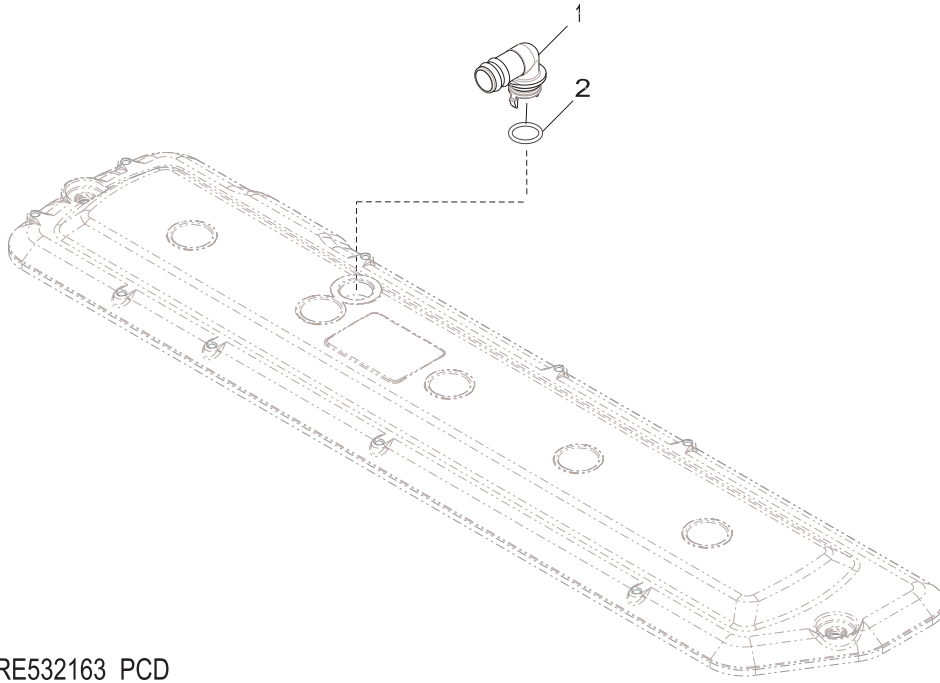
KEY	PART NUMBER	QTY	DESCRIPTION	SERIAL NUMBER
1	RE522744	1	Crankcase Breather	-
2	23-21204	2	Bracket	-
3	19M7866	4	Capscrew, Hex Head Flanged M8 x 1.25 x 20mm	-
5	12-92003	4	MSCR, RD HD Phillips M5 x 0.8 x 16 mm S/S with captive lock and flat washers	-
7	18-21209	1	Hose, Crankcase Breather Inlet 1" ID Molded *	-
8	21-29506	1	Reducing Union, PVC 1" HB x 3/4 HB	-
9	41-00004	25.8	Hose 3/4" ID 1 Ply	-
10	18-21208	1	Hose, Crankcase Breather Inlet 1" ID Molded *	-
11	21-24001	1	Male Union, PVC 1" HB	-
12	R519368	1	Hose, Rocker Cover Vent	-
13	21-12806	1	Male Elbow 90, Stl. 3/4NPT x 1"HB	-
14	145536051	1	Hose 90 degree 1/2" ID Molded	-
15	R519465	1	Hose Barb Reducer 1/2" x 3/8"	-
16	41-01020	34	Hose 3/8" ID	-
17	21-71034	1	Female Swivel, Brs. 3/8 HB x 3/8-37T	-
18	21-20002	1	One Way Valve, Brs. 1/4 NPT x 3.8-37T	-
19	21-51098	1	Street Elbow 90, Brs. 1/4 NPT	-
20	21-79504	1	Adapter, Stl. 1/4 NPT x M22 x 1.5	-
21	16-9501	1	O-Ring	-
22	19-00016	5	Hose Clamp #16 S/S	-
23	19-00008	2	Hose Clame #8 S/S	-

Crankcase Breather Filter M65T13 Westport Special

Crankcase Breather Filter M65T13 Westport Special

KEY	PART NUMBER	QTY	DESCRIPTION	SERIAL NUMBER
1	RE522766	1	Crankcase Breather	-
2	23-21204	2	Bracket	-
3	19M7866	4	Capscrew, Hex Head Flanged M8 x 1.25 x 20mm	-
4	12-92003	4	MSCR, RD HD Phillips M5 x 0.8 x 16 mm S/S with captive lock and flat washers	-
5	18-21208	1	Hose, Crankcase Breather Inlet 1" ID Molded *	-
6	19-00016	3	Hose Clamp #16 S/S	-
7	21-29506	1	Reducing Union, PVC 1" HB x 3/4 HB	-
8	41-00004	36	Hose 3/4" ID 1 Ply	-
9	R519368	1	Hose	-
10	21-12806	1	Male Elbow 90, Stl. 3/4 NPT x 1"HB	-
11	145536051	1	Hose 90 degree 1/2"ID Molded	-
12	19-00008	2	Hose Clamp #8 S/S	-
13	R519465	1	Hose Barb Reducer 1/2" x 3/8"	-
14	41-01020	40	Hose 3/8" ID	-
15	21-71034	1	Female Swivel, Brs 3/8HB x 3/8-37T	-
16	21-20002	1	One Way Valve, Brs 1/4 NPT x 3/8-37T	-
17	21-51098	1	Street Elbow 90 Brs 1/4 NPT	-
18	28-71003	1	Plate	-
19	11-79501	1	Gasket	-

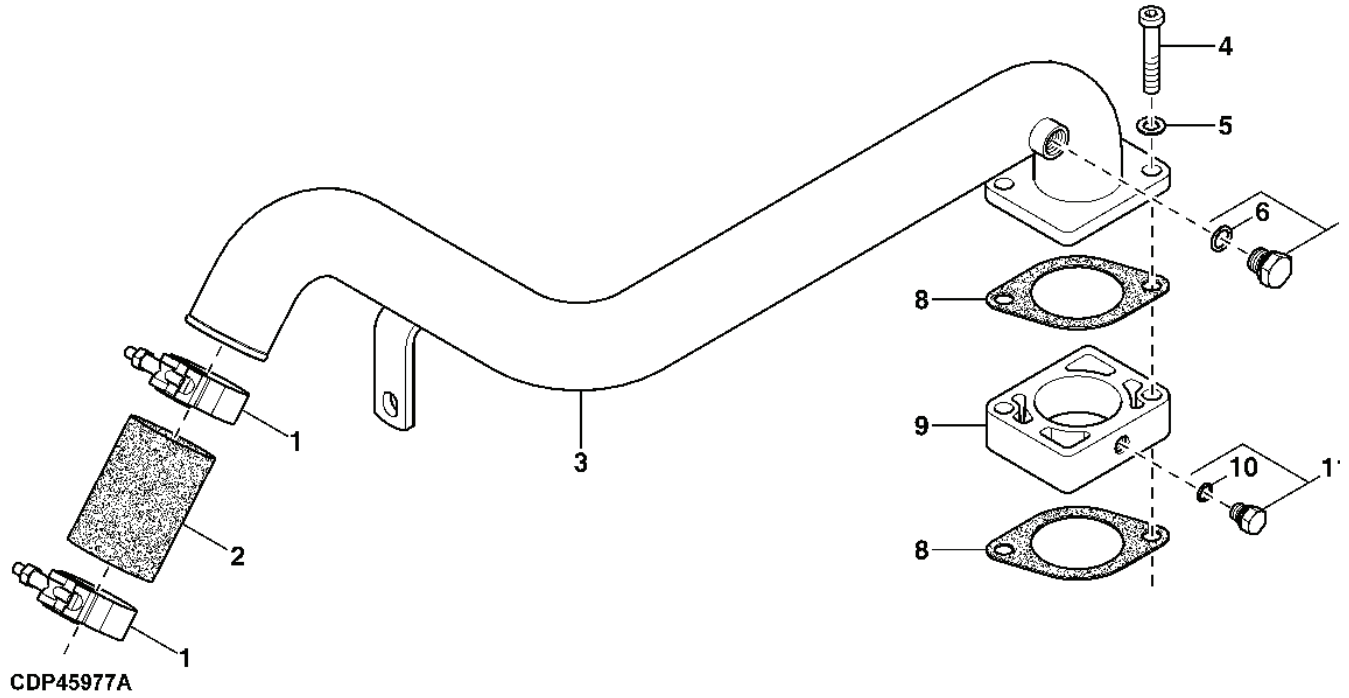
Ventilating System



2997_RE532163_PCD

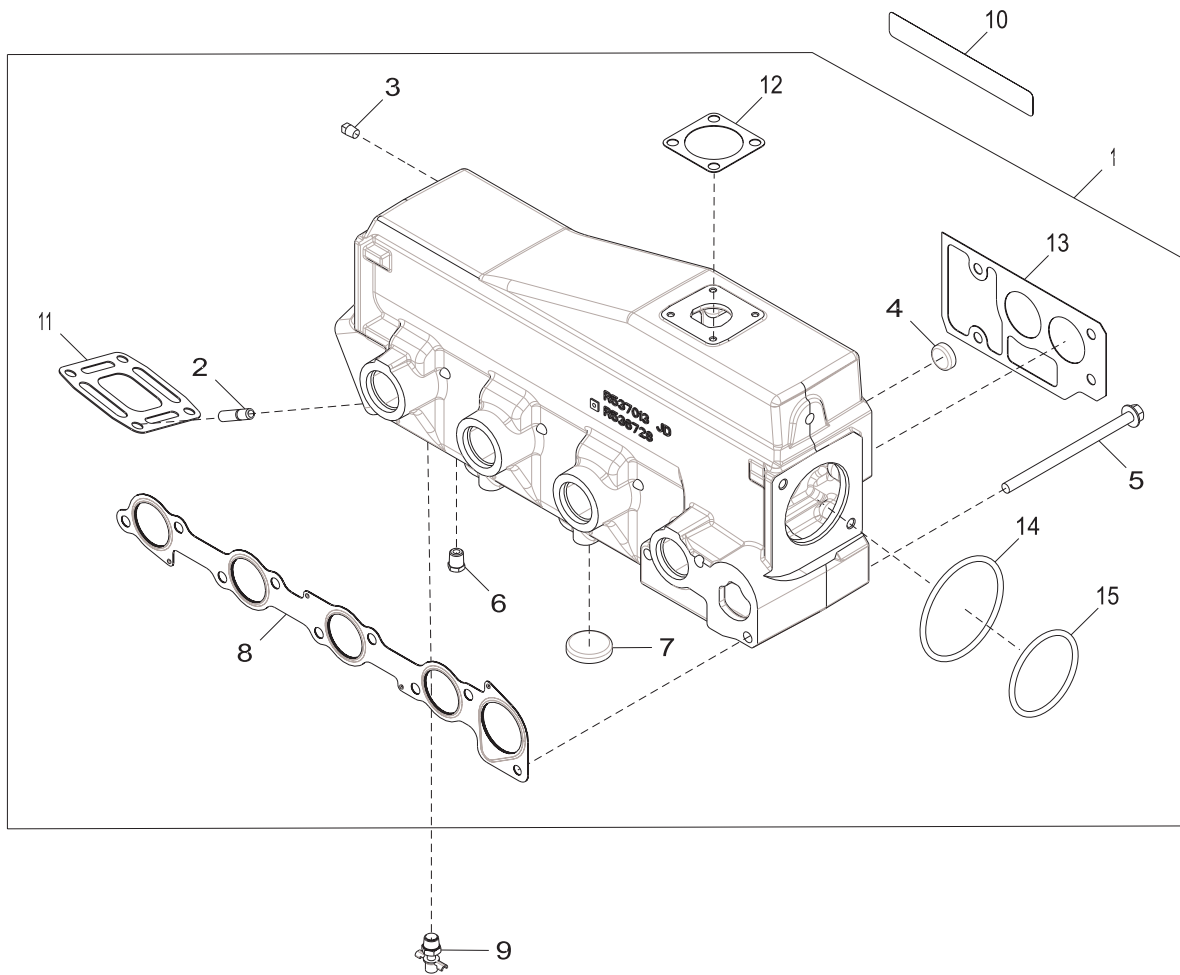
Key	Part No.	Part Name	Qty.	Engine Serial No.	Remarks
1	R120467	Elbow Fitting	1		
2	R72328	O-Ring	1		

Air Intake



Key	Part No.	Part Name	Qty.	Engine Serial No.	TFM75	Remarks
1	R110531	Clamp	2		X	
2	R518276	Hose	1		X	
3	RE520827	Air Intake	1		X	
4	19M8412	Screw	2		X	M10 X 55, 10.9, SUB FOR 19M8292; APPL
5	24M7096	Washer	2		X	10.500 X 18 X 1.600 mm
6	51M7041	O-Ring	1		X	11.300 X 2.200 mm
7	RE46684	Fitting Plug	1		X	M14 X 1.5
8	R81275	Gasket	2		X	
9	R501472	Spacer	1		X	USE WITH (2) R81275
10	51M7039	O-Ring	1		X	8.100 X 1.600 mm
11	RE60071	Fitting	1		X	M10 X 1

Exhaust Manifold

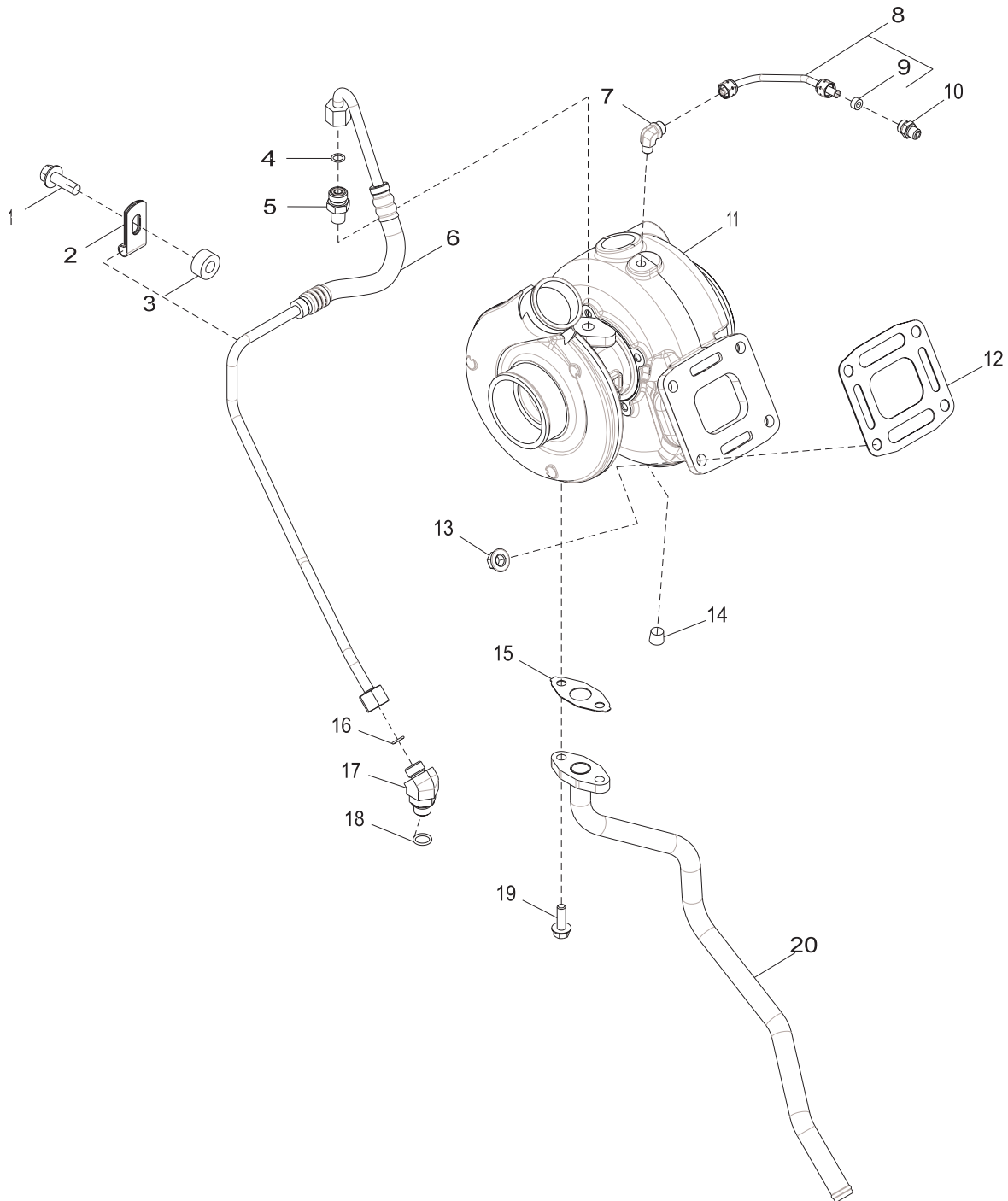


28DD_RE566724_PCD

Exhaust Manifold

Key	Part No.	Part Name	Qty.	Engine Serial No.	Remarks
1	RE554926	Manifold Kit	1		
2	R501434	Stud	4		
3	15H638	Pipe Plug	1		1/8"
4	N102039	Plug	3		
5	19M9017	Screw	9		M10 X 165
6	RE507807	Pipe Plug	3		
7	R43409	Plug	3		
8	RE552056	Gasket	1		
9	AT13740	Drain Valve	1		
11	R108612	Gasket	1		
12	R108848	Gasket	1		
13	R108730	Gasket	1		
14	F2576R	O-Ring	2		
15	F1430R	O-Ring	2		

Turbocharger

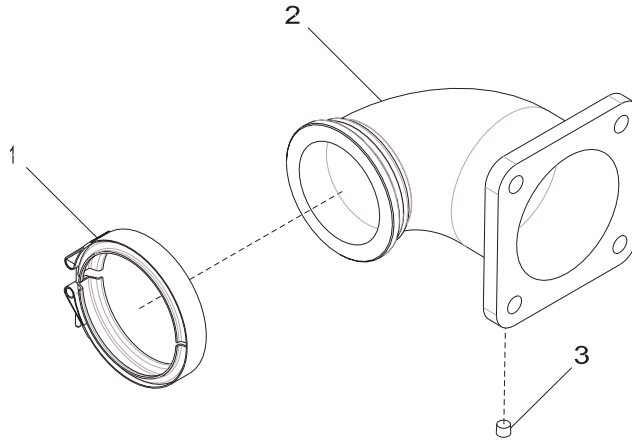


65H9_RE553831_PCD

Turbocharger

Key	Part No.	Part Name	Qty.	Engine Serial No.	Remarks
1	19M7786	Screw	1		M10 X 30
2	R524925	Clip	1		
3	R114358	Spacer	1		
4	R63548	O-Ring	1		
5	M87733	Adapter Fitting	1		
6	RE558112	Oil Line	1		
7	R67364	Elbow Fitting	1		
8	RE502665	Tube	1		
9	R51936	Sealing Washer	2		
10	RE502650	Fitting	1		
11	RE553833	Turbocharger	1		
12	R108612	Gasket	1		
13	14M7296	Flange Nut	4		M10
14	15H696	Pipe Plug	1		1/4"
15	R521158	Gasket	1		
16	T77613	O-Ring	1		
17	38H5154	Elbow Fitting	1		
18	51M7042	O-Ring	1		13.300 X 2.200 mm
19	N275830	Screw	2		NLA; ORDER 19M8063
	19M8063	Screw	2		M8 X 25, SUB FOR N275830
20	RE545497	Line	1		

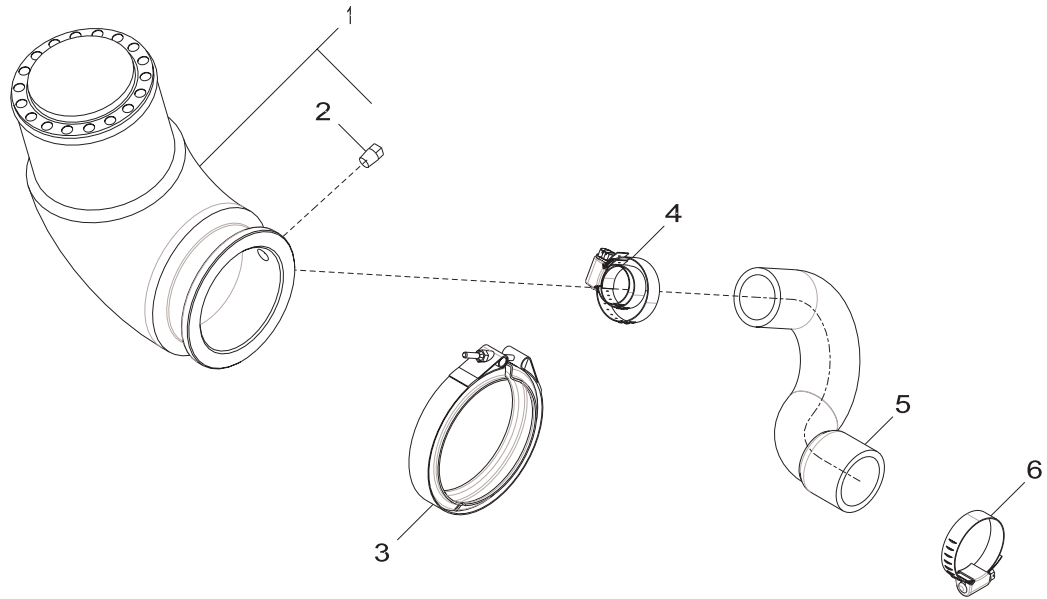
Exhaust Elbow



6402_RE49958_PCD

Key	Part No.	Part Name	Qty.	Engine Serial No.	Remarks
1	RE47537	Clamp	1		
2	R110108	Elbow Fitting	1		
3	RE71255	Pipe Plug	1		

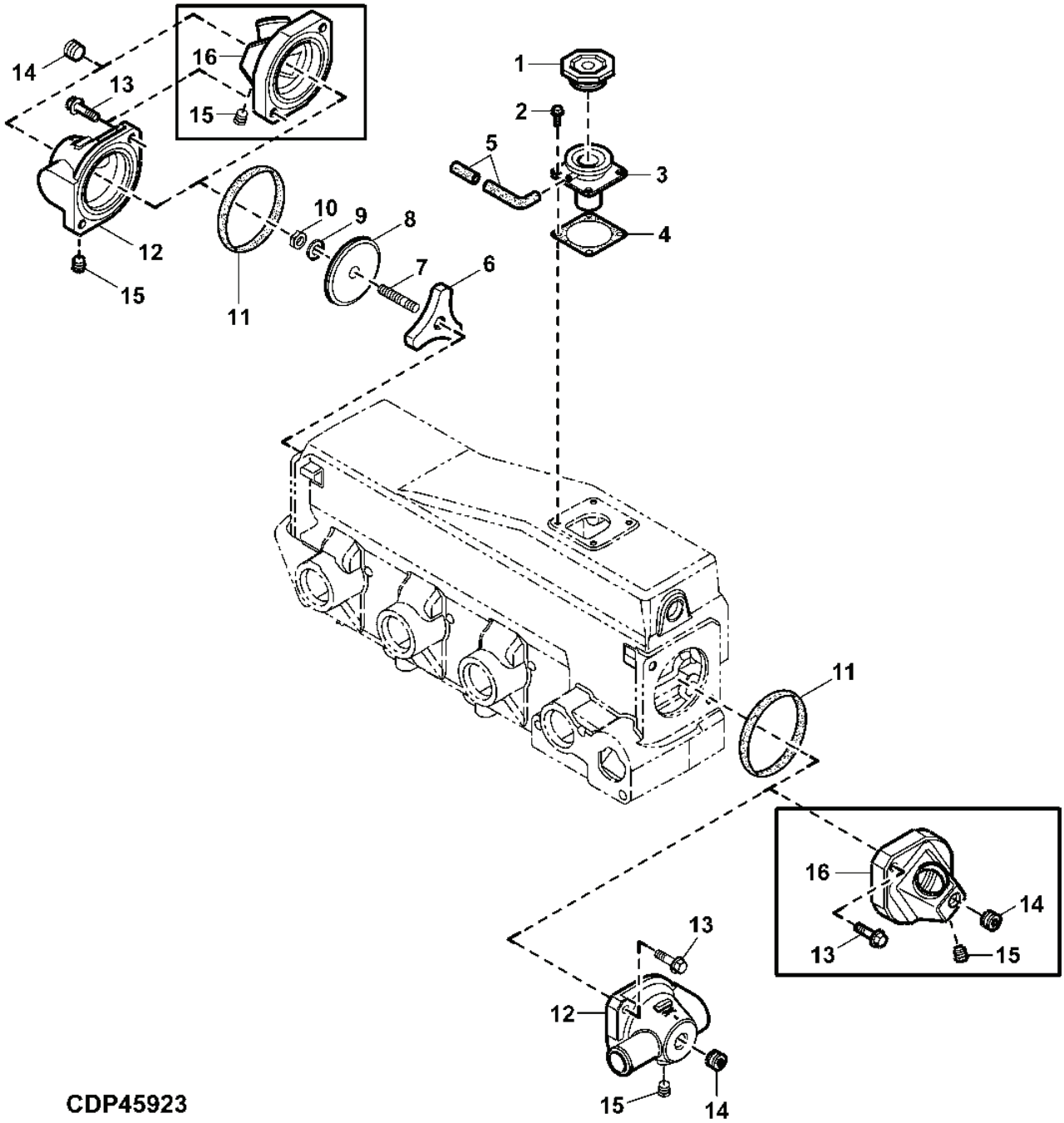
Exhaust Elbow



6403_RE50015_PCD

Key	Part No.	Part Name	Qty.	Engine Serial No.	Remarks
1	RE506716	Elbow Fitting	1		
2	15H638	Pipe Plug	1		1/8"
3	RE47537	Clamp	1		
4	TY22467	Clamp	1		
5	R504046	Hose	1		
6	TY22470	Clamp	1		

Heat Exchanger



CDP45923

Heat Exchanger

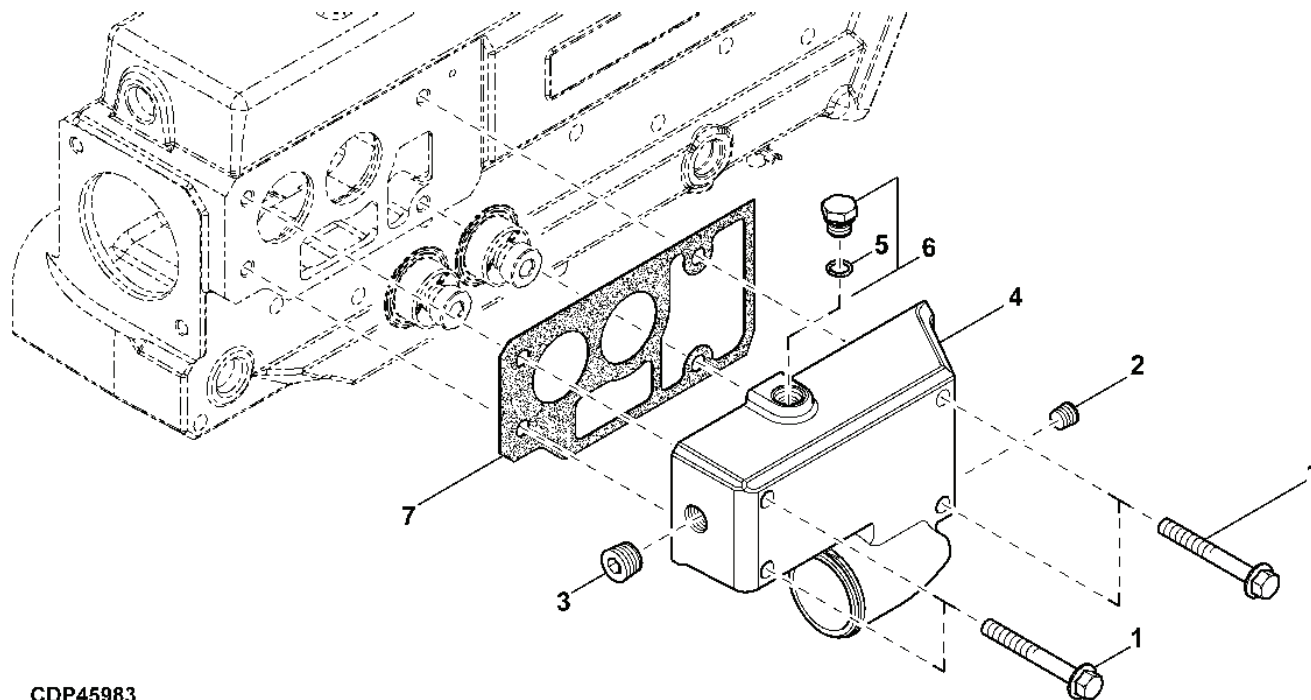
Key	Part No.	Part Name	Qty.	Engine Serial No.	DFM50 TFM60	Remarks
1	RE43593	Filler Cap	1		XX	
2	19M7775	Screw	4		XX	M6 X 16
3	RE46165	Filler Neck	1		XX	
4	R108848	Gasket	1		XX	
5	41-01013	Hose 5/16" ID PVC	**		XX	(Solid Per Inch)
6	R110248	Strap	1		XX	
7	D2420R	Stud	1		XX	
8	R110247	Plug	1		XX	
9	24M7106	Washer	1		XX	10 X 18 X 2.500 mm
10	N10215	Lock Nut	1		XX	9.525 mm (3/8")
11	F2576R	O-Ring	2		XX	97.790 X 5.334 mm (3.850" X 0.210")
12	RE550011	Cover	2		XX	INCLUDES H26723 AND RE54993; SUB FOR R503980
	R503980	Cover	2		XX	ORDER RE550011
13	19M7835	Screw	4		XX	M10 X 35
14	RE57836	Pipe Plug	2		XX	(A) 12.700 mm (1/2"), SUB FOR 15H624; APPL
15	H26723	Drain Plug	2		XX	6.350 mm (1/4")
16	RE54994	Cover	2		XX	MARKED R119822

(A) Threads With Pre-Applied Sealant
 Filetages avec produit d'étanchéité préappliqué
 Gewinde mit voraufgetragenem Dichtmittel
 Filetti con sigillante preapplicato
 Roscas con pasta selladora preaplicada
 Gångor med redan applicerat tätningemedel

** As Required

GROUP 3 – COOLING SYSTEM

Thermostat Cover

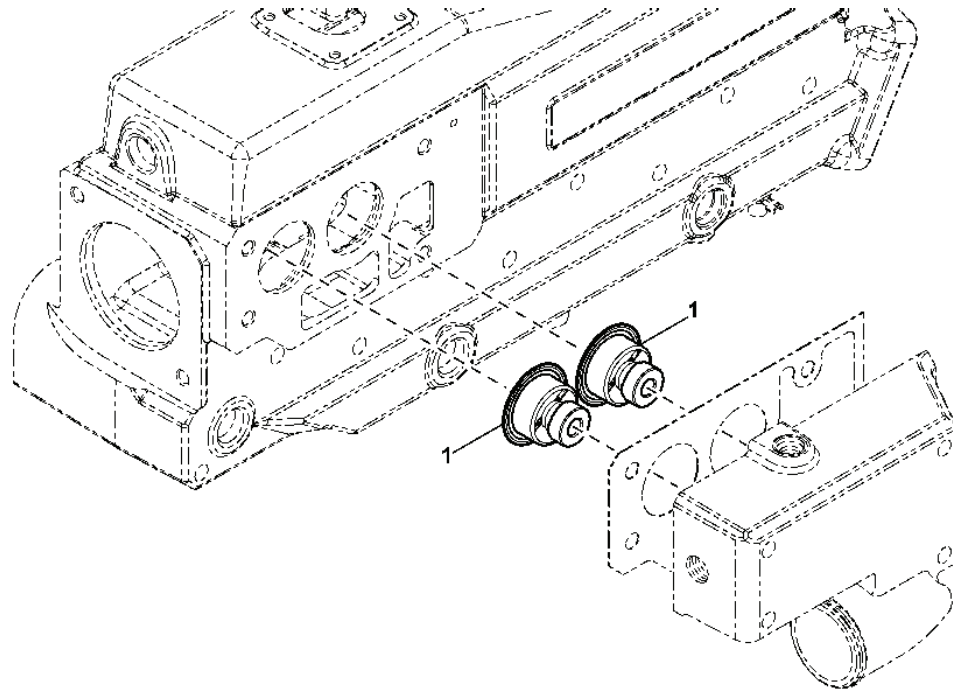


CDP45983

Key	Part No.	Part Name	Qty.	Engine Serial No.	DFM70 TFM7s	Remarks
1	19M7810	Screw	4		XX	M10 X 80
2	15H695	Plug	1		XX	3/8" NPT
3	RE57836	Plug	1		XX	1/2" NPT (A)
4	R518477	Thermostat Housing	1		XX	
	10-19403	Thermostat Housing (modified with extra parts)	1		XX	
5	16-00005	O-Ring	1		XX	
6	RE46684	Plug	1		XX	M14 X 1.5
7	R108730	Gasket	1		XX	

(A) Threads With Pre-Applied Sealant
 Filetages avec produit d'étanchéité préappliqué
 Gewinde mit voraufgetragenem Dichtmittel
 Filetti con sigillante preapplicato
 Roscas con pasta selladora preaplicada
 Gångor med redan applicerat tätningmedel

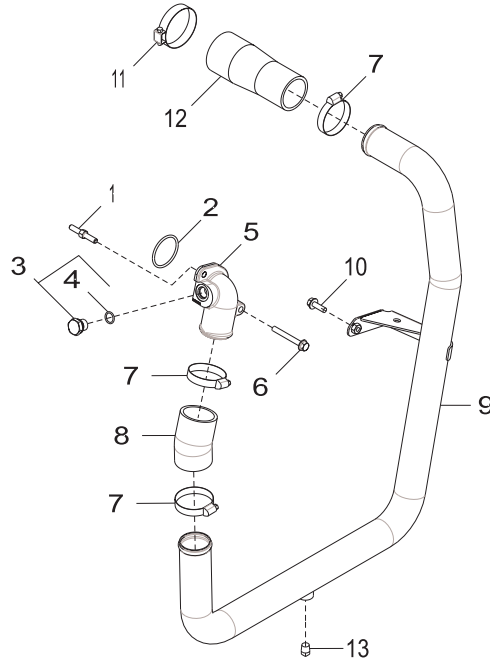
Thermostat



CDP45988

Key	Part No.	Part Name	Qty.	Engine Serial No.	TFM75 TFM76	Remarks
1	AR48675	Thermostat	2		XX	82°C 173-186°F

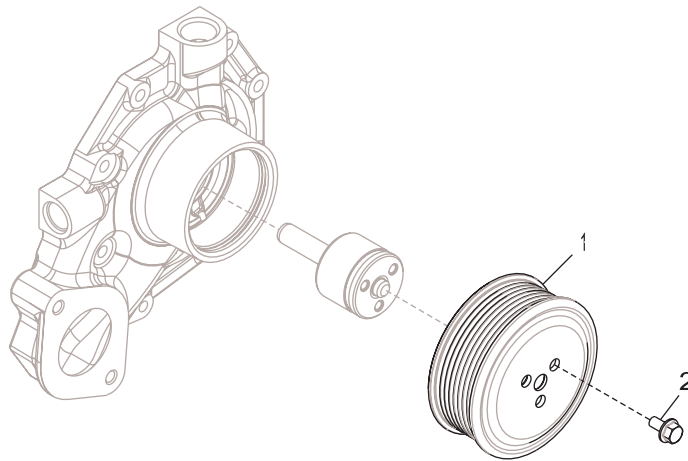
Coolant Pump Inlet



5740_RE550377_PCD

Key	Part No.	Part Name	Qty.	Engine Serial No.	Remarks
1	R501462	Stud	1		
2	R89944	O-Ring	1		
3	RE46685	Fitting Plug	1		
4	51M7043	O-Ring	1		15.300 X 2.200 mm
5	R502983	Water Pump Connection	1		
6	19M7802	Screw	1		M8 X 65
7	AR65294	Clamp	3		
8	R519500	Hose	1		
9	RE554161	Tube	1		
10	19M7867	Screw	1		M8 X 25
11	RE40436	Clamp	1		
12	T27104	Radiator Hose	1		
13	15H604	Pipe Plug	1		1/4"

Coolant Pump Pulley

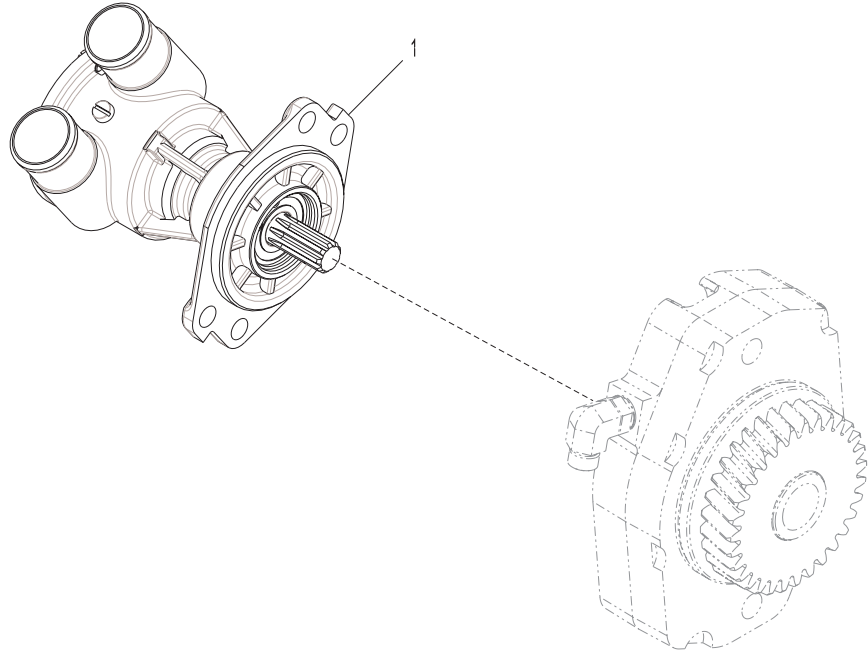


2001_RE58175_PCD

Key	Part No.	Part Name	Qty.	Engine Serial No.	Remarks
1	R115250	Pulley 94mm OD	1		
2	19M7774	Screw M6 x 12mm	3		

GROUP 3 – COOLING SYSTEM

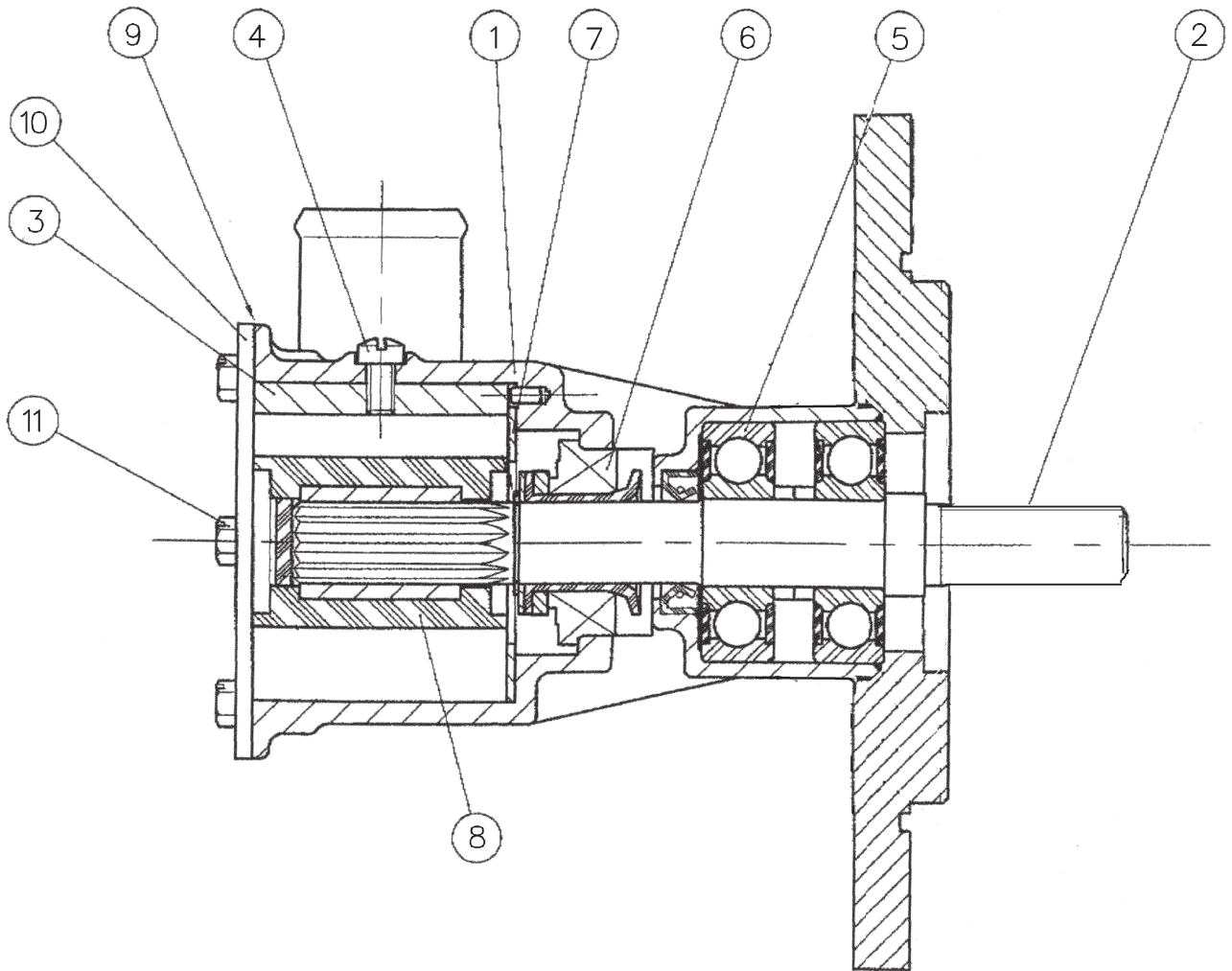
Raw Water Pump



8020_RE502546_PCD

Key	Part No.	Part Name	Qty.	Engine Serial No.	Remarks
1	RE535944	Raw Water Pump (See Parts Detail)	1		

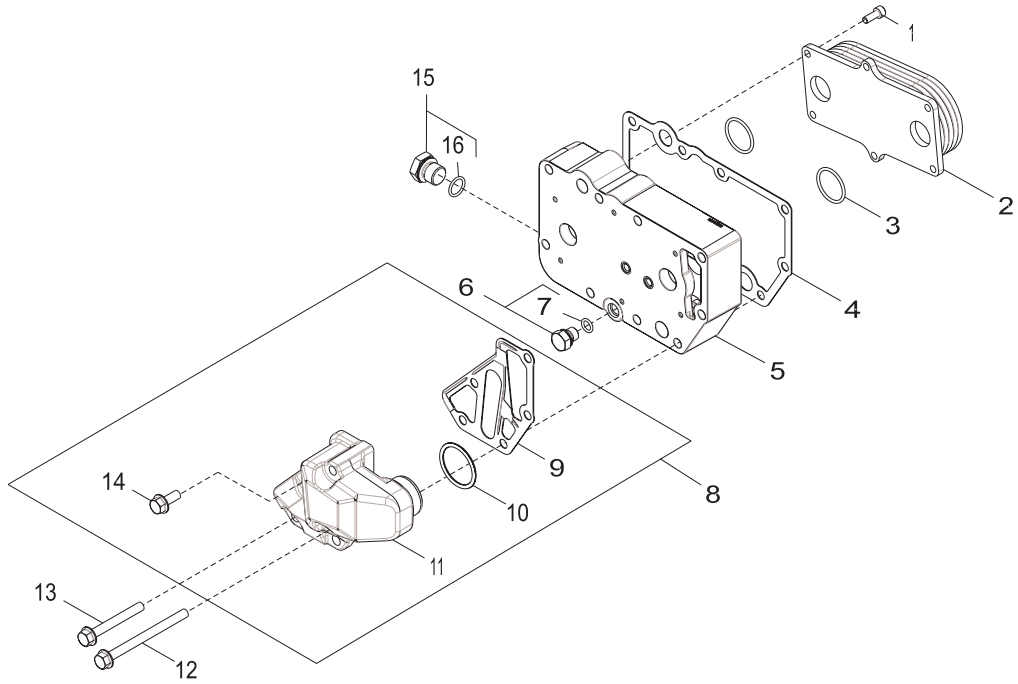
Raw Water Pump Assembly



KEY	PART NUMBER	QTY	DESCRIPTION	SERIAL NUMBER
•	RE535944	1	Raw Water Pump Assembly (Includes all keys)	-
••	25-19410		Repair Kit (Includes keys #3-8 & 10-11)	-
1			Housing	-
2	25-19401	1	Shaft	-
3	25-19402	1	Cam	-
4	25-11036	1	Screw	-
5	25-11034	2	Bearing	-
6	25-15036	1	Seal, Mechanical/ Carbon	-
7	25-19404	1	Wear Plate	-
8	25-11011	1	Impeller with Gasket	-
9	25-11017	1	Gasket	-
10	25-19403	1	Cover	-
11	25-19405	6	Screw	-

GROUP 3 – COOLING SYSTEM

Oil Cooler



5901_RE59752_PCD

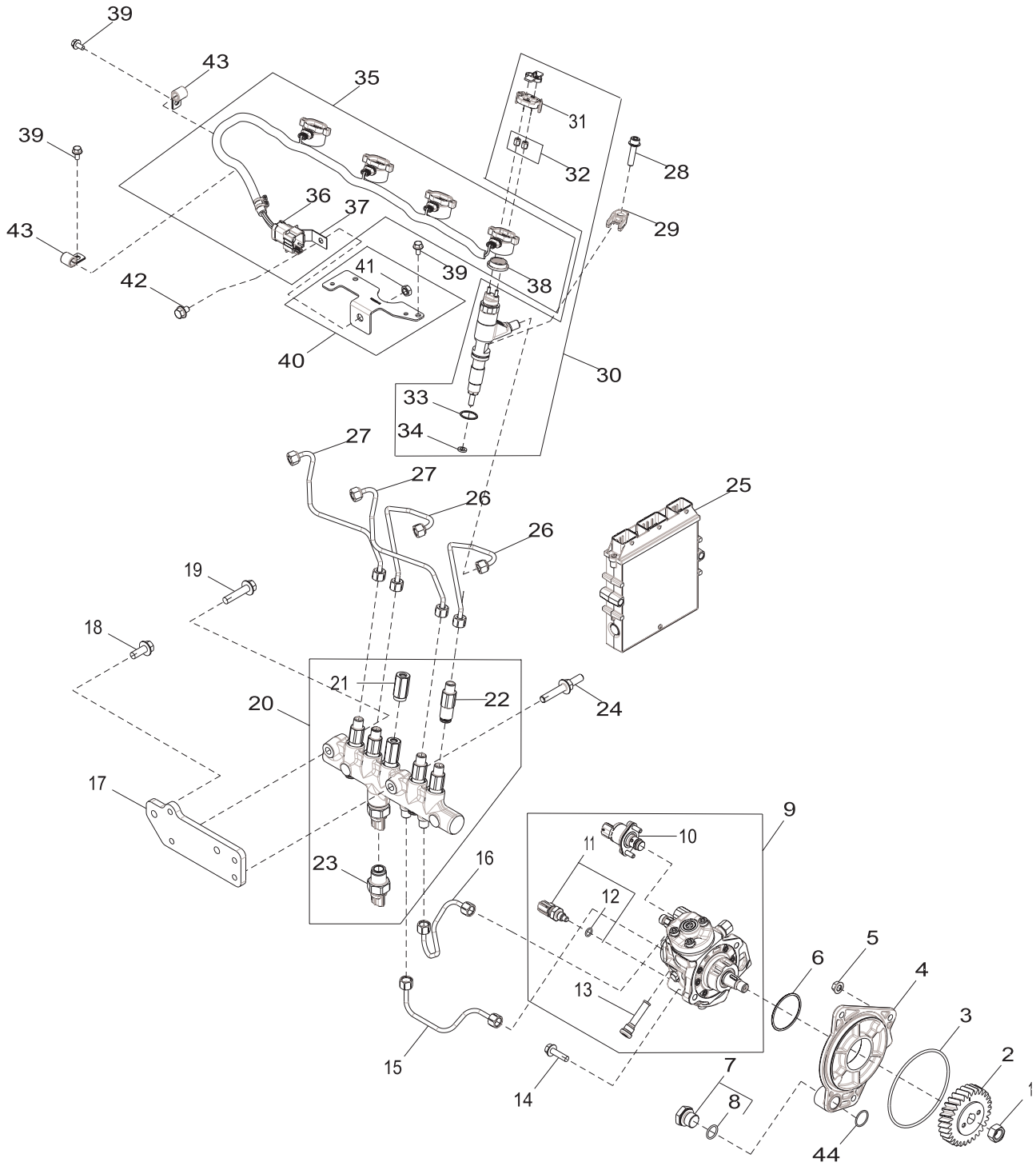
Key	Part No.	Part Name	Qty.	Engine Serial No.	Remarks
1	RE67231	Screw	6		(A) M6 X 16
2	RE59296	Oil Cooler	1		(B)
3	T122075	O-Ring	2		29.820 X 2.616 mm (1.174" X 0.103")
4	R123501	Gasket	1		
5	R123471	Housing	1		
6	RE46686	Fitting Plug	1		M12 X 1.5
7	16-00012	O-Ring	1		9.300 X 2.200 mm
8	RE508599	Adapter Fitting	1		
9	R501428	Gasket	1		
10	16-45401	O-Ring	1		37.694 X 3.531 mm (1-31/64" X 0.139")
11	Intermediate Housing	1		(MARKED R502811) (ORDER RE508599)
12	19M7802	Screw	2		M8 X 65
13	19M7970	Screw	2		M8 X 100
14	RE67238	Screw	1		(A) M8 X 20
15	RE46685	Fitting Plug	1		M18 X 1.5
16	16-09500	O-Ring	1		15.300 X 2.200 mm

(A) Threads with Pre Applied Sealant
 Filetages avec produit d'étanchéité préappliqué
 Gewinde mit voraufgetragenem Dichtmittel
 Filetti con sigillante preapplicato
 Roscas con pasta selladora preaplicada
 Gångor med redan applicerat tätningmedel

(B) 5 Plagues
 5 plaques
 5 Platten
 5 piastre
 5 placas
 5 plätär

Notes

Fuel Injection System

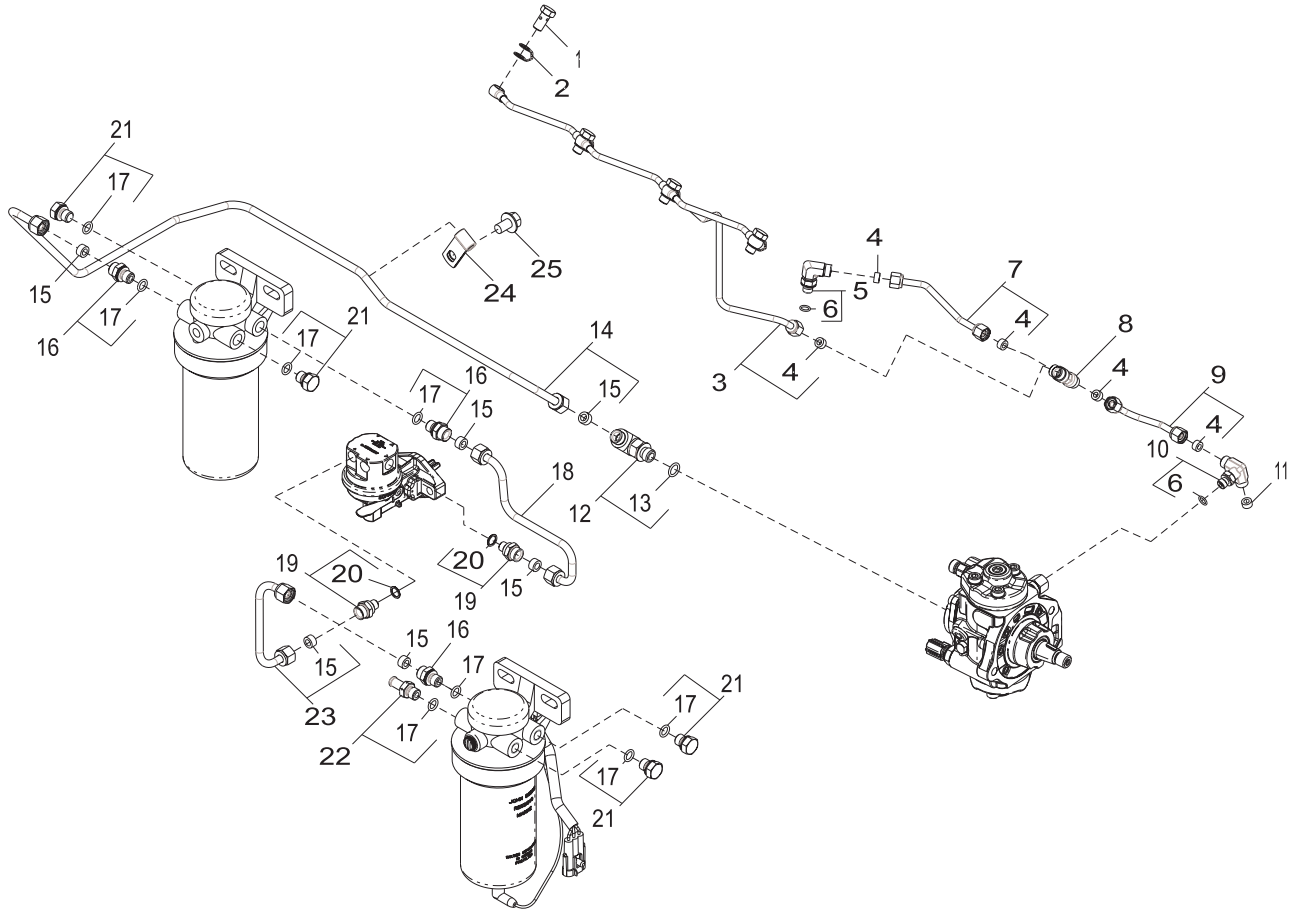


16KA_RE556934_PCD

Fuel Injection System

Key	Part No.	Part Name	Qty.	Engine Serial No.	Remarks
1	R91360	Nut	1		
2	R502541	Gear	1		
3	R55453	O-Ring	1		
4	R504577	Adapter Fitting	1		
5	14M7298	Flange Nut	3	M8	
6	R516125	O-Ring	1		
7	RE517370	Fitting	1		
8	51M7044	O-Ring	1		17.300 X 2.200 mm
9	RE527528	Fuel Injection Pump	1		
	SE501916	Fuel Injection Pump Reman	1		REMAN FOR RE527528
10	RE534109	Control Valve	1		
11	RE516336	Fuel Temperature Sensor	1		
12	R524234	O-Ring	1		
13	RE516999	Screen	1		
14	19M7868	Screw	2	M8 X 30	
15	RE544263	Fuel Line	1		
16	RE544262	Fuel Line	1		
17	R522498	Bracket	1		
18	19M7785	Screw	2	M10 X 25	
19	19M8320	Screw	1	M10 X 45	
20	RE520929	Rail	1		
21	RE516335	Pressure Relief Valve	1		
22	RE515636	Restrictor	4		
23	RE520930	Sensor	1		
24	R525863	Stud	1		
25	26-9940300665	Engine Controller	1		Serial Number Required when Ordering
26	RE526692	Fuel Line	2		
27	RE526693	Fuel Line	2		
28	RE528096	Screw With Washer	4		
29	R520813	Clamp	4		
30	RE546783	Nozzle Kit	4		INCLUDES R522899
	SE501928	Injection Nozzle Reman	4		REMAN FOR RE546783
31	RE528588	Electrical Connector Cap	4		
32	R134920	Nut	8		
33	R516647	O-Ring	4		
34	R523499	Washer	4		
35	RE528590	Wiring Harness	1		
36	57M8747	Elec. Connector Housing	1		
37	R520930	Bracket	1		
38	R522630	Seal	1		
39	RE527858	Screw	4		
40	R523048	Bracket	1		
41	14M7233	Weld Nut	1	M8	
42	RE524730	Cap Screw	1		
43	AH80916	Clip	2		
44	R116031	O-Ring	1		

Low Pressure Fuel Lines

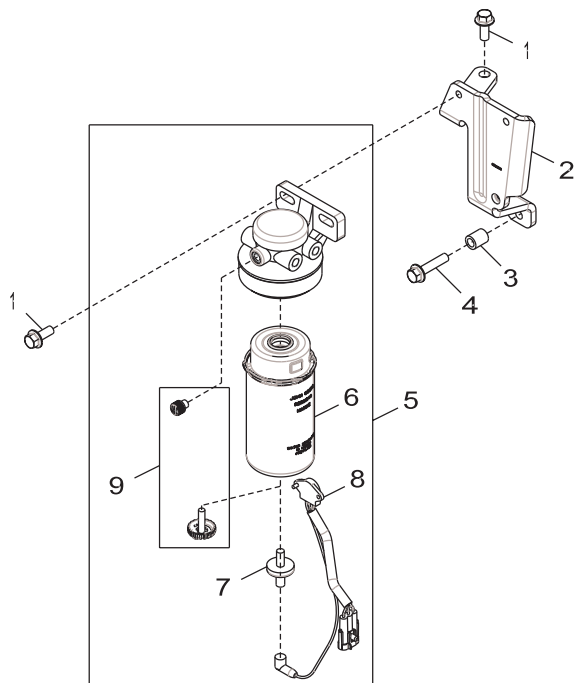


63DP_RE550378_PCD

Low Pressure Fuel Lines

Key	Part No.	Part Name	Qty.	Engine Serial No.	Remarks
1	38M7009	Hollow Screw	4		
2	R522899	Sealing Washer	4		
3	RE551784	Fuel Line	1		
4	R51936	Sealing Washer	5		
5	RE502173	Fitting	1		
6	51M7039	O-Ring	2		8.100 X 1.600 mm
7	RE550723	Fuel Line	1		
8	R97061	Tee Fitting	1		
9	RE550742	Fuel Line	1		
10	RE524220	Fitting	1		
11	AR85519	Plug	1		
12	RE525782	Elbow Fitting	1		
13	16-00005	O-Ring	1		11.300 X 2.200 mm
14	RE525786	Fuel Line	1		
15	R74012	Sealing Washer	6		
16	RE60029	Adapter Fitting	3		
17	16-00012	O-Ring	8		9.300 X 2.200 mm
18	RE515360	Fuel Line	1		
19	R500270	Fitting	2		
20	R500271	O-Ring	2		
21	RE46686	Fitting Plug	4		
22	RE500576	Fitting	1		
23	RE530620	Fuel Line	1		
24	R135106	Clamp	1		
25	19M7783	Screw	1		M10 X 16

Fuel Filter / Water Separator Assembly

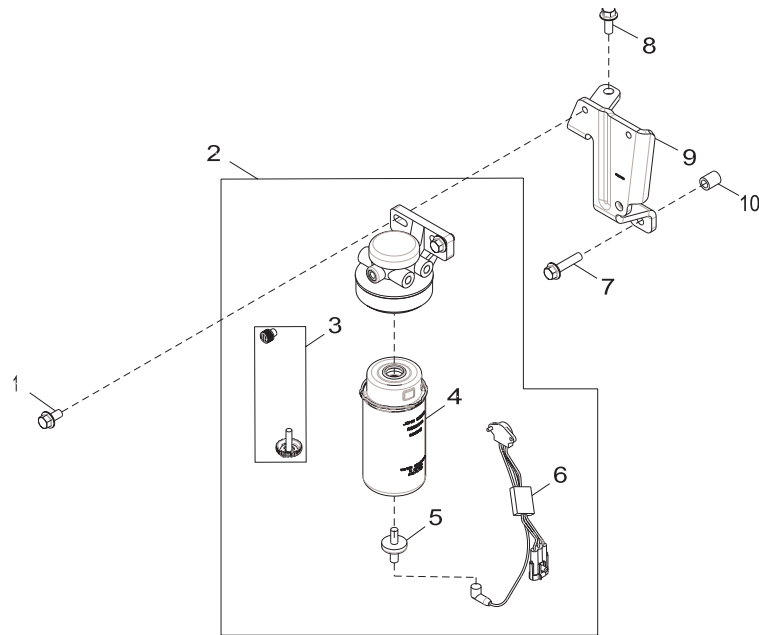


81BK_RE550425_PCD

Key	Part No.	Part Name	Qty.	Engine Serial No.	Remarks
1	19M7785	Screw	3		M10 X 25
2	R523930	Bracket	1		
3	28H2522	Spacer	1		0.423" X 0.675" X 13/16"
4	19M7805	Screw	1		M10 X 45
5	RE521539	Filter	1		
6	RE521540	Fuel Filter	1		
7	RE54723	Drain Valve	1		
8	RE509677	Wire Harness, 12 Volt	**		*
	RE509678	Wire Harness, 24 Volt	**		*
9	RE60854	Valve Kit	1		

* Used on units with Standard Ground Electrical Systems

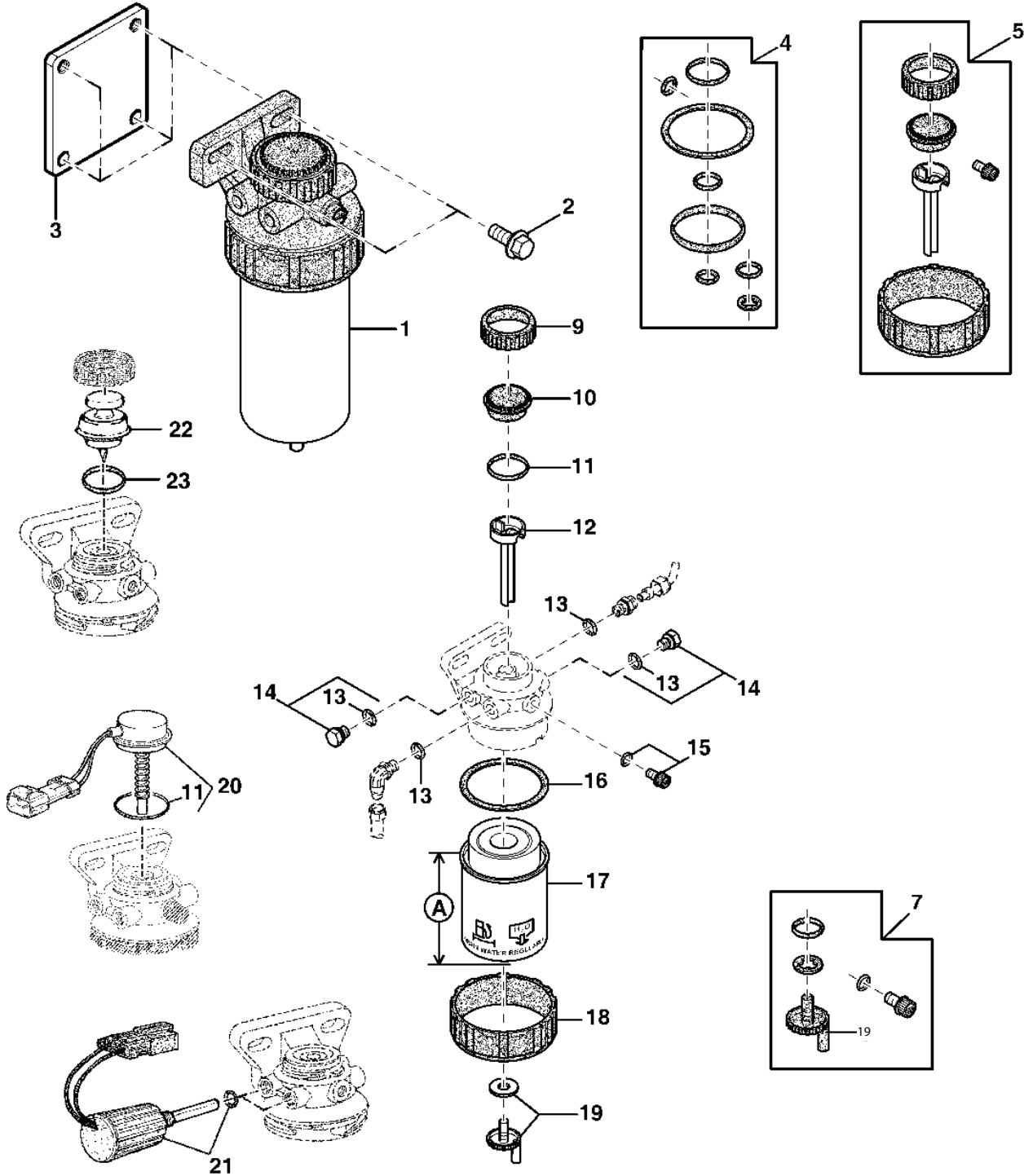
Low Pressure Fuel Lines



81BL_RE550426_PCD

Key	Part No.	Part Name	Qty.	Engine Serial No.	Remarks
1	19M7784	Screw	2		M10 X 20
2	RE521541	Fuel Filter	1		
3	RE60854	Valve Kit	1		
4	RE521540	Fuel Filter	1		
5	RE54723	Drain Valve	1		
6	RE509678	Wiring Harness, 24 Volt	1		24 V
7	19M7805	Screw	1		M10 X 45
8	19M7785	Screw	1		M10 X 25
9	R523930	Bracket	1		
10	28H2522	Spacer	1		0.423" X 0.675" X 13/16"

Fuel Filter Assembly



CDP46137A

Fuel Filter

Key	Part No.	Part Name	Qty.	Engine Serial No.	TFM76	Remarks
1	RE521537	Fuel Filter Assembly	1		X	
2	19M7784	Screw	4		X	M10 X 20
3	R505601	Bracket	1		X	
4	RE516553	Seal Kit	**		X	
5	RE526834	Repair Kit	**		X	
7	RE60854	Valve Kit	**		X	
9	Retainer	1			*
10	Retainer	1		X	*
11	RE516512	O-Ring Kit	1		X	PKG 10
12	Retainer	1		X	*
13	16-00012	O-Ring	**		X	
14	RE46686	Fitting Plug	**		X	M12 X 1.5
15	Drain Plug	1		X	ORDER RE60854 OR RE526834 *
16	R113565	O-Ring	1		X	
17	RE521538	Filter Element	1		X	(Includes #19)
18	Retainer	1		X	ORDER RE526834; NSEP *
19	24-51006	Valve	1		X	
20	RE51648	Heat Exchanger	**		X	
21	RE503524	Heater	**		X	12 VOLT, 100W
22	RE50467	Hand Primer	**		X	
23	RE516513	O-ring Kit	**		X	PKG 10

** As Required

* Note: Items not sold separately
Order repair Kit RE526834

GROUP 4 – FUEL SYSTEM

USCG A-1 SAE J1942 ABS Fuel Lines (Plumbed to Base Pan) M65T13

KEY	PART NUMBER	QTY	DESCRIPTION	SERIAL NUMBER
1	21-00605	1	M. Elbow 45 Stl. 3\8NPT x 3\8-37T	-
2	18-59614	1	Hose Assembly 5\16"ID x 29" 3/8FMS x 3/8FMS	-
3	21-52213	1	Elbow, 90, Swivel 3/8-37T	-
4	21-59508	1	M. Connector, Stl. 3/8-37T x M12 x 1.5	-
5	21-50063	1	M. ELbow 45, Stl. 3/8 NPT x 1/4-37T	-
6	18-59413	1	Hose Assembly 3/16"ID x 35" 1/4FMS x 1/4FMS	-
7	21-00113	1	Elbow 45, Swivel, Stl. 1/4-37T	-
8	21-59532	1	Banjo Ftg, Stl. 10mmID x 1/4-37T Male	-
9	21-59531	1	Banjo Bolt M10 x 1.0 x 30mm Double Length	-
10	07005-01012	3	Sealing Washer, Bonded M10	-
11	21-31003	2	Plug, Hex Head, Brs. 3/8NPT	-

USCG A-1 SAE J1942 ABS Fuel Lines (Plumbed to Base Frame) M50T13-M65T13

KEY	PART NUMBER	QTY	DESCRIPTION	SERIAL NUMBER
1	10-51098	1	Manifold	-
2	12-01131	2	Capscrew, Hex Head M6 x 1.0 x 20mm	-
3	14-04803	2	Hex Nut, Nylock M6 x 1.0 Class 8	-
4	21-00606	1	Male Elbow 90 Stl. 3/8 NPT x 3/8-37T	-
5	18-59614	1	Hose Assy 5/16"ID x 29" 3/8FMS x 3/8FMS USCG A-1 SAE J1942 ABS	-
6	21-52213	1	Elbow 90 Swivel, Stl. 3/8-37T	-
7	21-59508	1	Male Connector, Stl. 3/8-37T x M12 x 1.5	-
8	21-51601	1	Male Elbow 90 Stl. 3/8NPT x 1/4-37T	-
9	18-59413	1	Hose Assy 3/16"ID x 35" 1/4FMS x 1/4FMSUSCG A-1 SAE J1942 ABS	-
10	21-00113	1	Elbow, 45 Swivel, Stl. 1/4-37T	-
11	21-59532	1	Banjo Ftg. Stl. 10mmID x 1/4-37T Male	-
12	21-59531	1	Banjo Bolt M10 x 1.0 x30mm Double Length	-
13	131426180	3	Sealing Washer, Copper M10	-
14	21-31003	2	Plug Hex Head, Brs. 3/8NPT	-

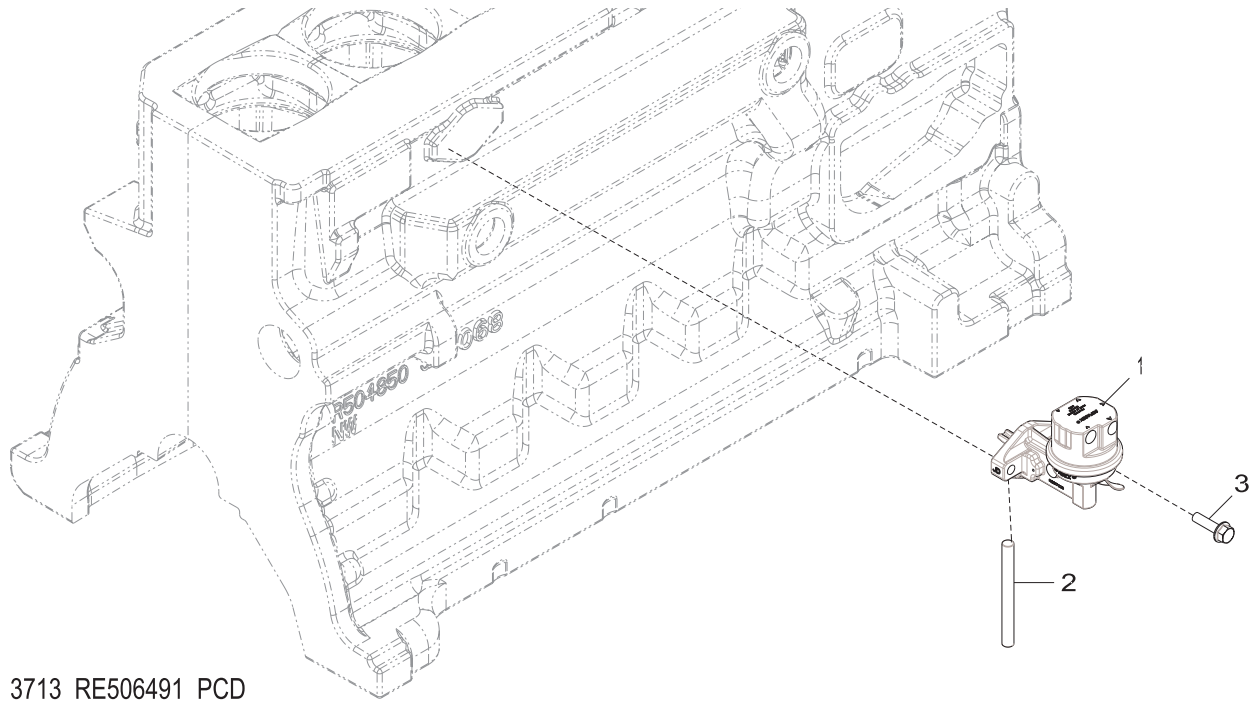
GROUP 4 – FUEL SYSTEM

USCG A-1 SAE J1942 ABS Fuel Lines (Plumbed to Base Frsme with Centerbonded Mounts) M50T13-M65T13

KEY	PART NUMBER	QTY	DESCRIPTION	SERIAL NUMBER
1	10-51098	1	Manifold	-
2	12-01131	2	Capscrew, Hex Head M6 x 1.0 x 20mm	-
3	14-04803	2	Hex Nut, Nylock M6 x 1.0 Class 8	-
4	21-00606	1	Male Elbow 90 Stl. 3/8 NPT x 3/8-37T	-
5	18-59515	1	Hose Assy 5/16"ID x 27" 3/8FMS x 3/8FMS USCG A-1 SAE J1942 ABS	-
6	21-52213	1	Elbow 90 Swivel, Stl. 3/8-37T	-
7	21-59508	1	Male Connector, Stl. 3/8-37T x M12 x 1.5	-
8	21-51601	1	Male Elbow 90 Stl. 3/8NPT x 1/4-37T	-
9	18-59413	1	Hose Assy 3/16"ID x 35" 1/4FMS x 1/4FMSUSCG A-1 SAE J1942 ABS	-
10	21-00113	1	Elbow, 45 Swivel, Stl. 1/4-37T	-
11	21-59532	1	Banjo Ftg. Stl. 10mmID x 1/4-37T Male	-
12	21-59531	1	Banjo Bolt M10 x 1.0 x30mm Double Length	-
13	131426180	3	Sealing Washer, Copper M10	-
14	21-31003	2	Plug Hex Head, Brs. 3/8NPT	-

GROUP 4 – FUEL SYSTEM

Fuel Transfer Pump



3713_RE506491_PCD

Key	Part No.	Part Name	Qty.	Engine Serial No.	Remarks
1	RE517230	Fuel Pump	1		INCLUDES R123273
2	R133405	Pin	1		
3	RE504233	Cap Screw	2		
.	R123273	O-Ring	1		

GROUP 5 – ELECTRICAL SYSTEMS

Engine Electrical , 12Volt Standard Ground CAN-BUS M50T13 - M65T13

KEY	PART NUMBER	QTY	DESCRIPTION	SERIAL NUMBER
1	22-49411	1	Harness Assembly	-
	22-49419	1	Wire Harness Addition, Isolated Ground	-
2	22-70183	1	Dual Station Relay Panel Assembly (See Parts Detail)	-
3	22-42047	3	Relay, SPDT 50 Amp	-
4	12-00001	4	MSCR, Ph Phillips #10-32 x 3/4" S/S	-
5	14-00032	4	Hex Nut, Nylock #10-32 S/S	-
7	22-42803	1	Sender, Pressure 0-80 PSI, Isolated Ground 1/8 NPT	-
8	22-40963	1	Switch, Pressure 15 PSI N.O./N.C. 1/8NPT	-
9	22-42802	1	Sender, Temperature 250F Isolated Ground 1/2 NPT	-
10	22-40981	1	Switch, Temperature 215F N.O./N.C. Isolated Ground 3/8NPT	-
11	RE540300	1	Starter 2.5 kW StandardGround R.H. 2-Bolt SAE Type #4 Mount	-
12	12-80832	1	Capscrew, Hex Head Flanged M10 x 1.5 x 30 mm Grade 10.9	-
13	13-00814	1	Stud M10 x 1.5 x 30mm (42mm LOA) Grade 8.8	-
14	14-80811	1	Hex Nut, Flanged M10 x 1.5 Property Class 10	-
15	22-41080	1	Soleniod 85 Amp Isolated Ground	-
16	23-40009	1	Bracket	-
17	14-00101	2	Lock Nut, Serrated Flange 1/4-20	-
18	19-00060	1	Hose Clamp #60 S/S	-
19	12-00715	2	Capscrew, Hex head M8 x 1.26 x 50mm	-
20	15-00701	4	Flat Washer M8	-
21	14-04802	2	Hex Nut, Nylock M8 x 1.25 Class 8	-
22	RE509677	1	Harness Assy Filter / Separator Connection	-
23	00-78215	1	Grommet	-

* Note: Items #19-21 used to mount engine controller

Basic Engine Electrical, 12 Volt Standard Ground CAN-BUS M65C13

KEY	PART NUMBER	QTY	DESCRIPTION	SERIAL NUMBER
1	00-99401	1	Label "Genset Control - Run / Stop / Crank"	-
2	22-41049	1	Toggle Switch, SPST On-Off 10A 250VAC	-
3	22-41133	1	Toggle Switch (On) - Off 10A 250VAC	-
4	22-49411	1	Harness Assembly	-
5	00-78215	1	Grommet	-
7	RE540300	1	Starter 2.5 kW Standard Ground R.H. 2-Bolt SAE Type 4 Mount	-
8	RE533516	1	1Alternator 75 Amp Standard Ground	-
9	12-80832	1	Capscrew, Hex Head Flanged M10 x 1.5 x 30mm	-
10	13-05001	1	STUD M10 x 1.5 x 25mm (37mm LOA)	-
11	14-80811	1	Hex Nut, Flanged M10 x 1.5	-
12	AT157679	1	Transient Voltage Protector	-
13	22-41080	1	Solenoid 85 Amp Isolated Ground	-
14	23-40009	1	Bracket, Solenoid Mounting	-
15	14-00101	2	Lock Nut, Serrated Flange 1/4-20	-
16	19-00060	1	Hose Clamp #60 S/S	-
17	12-00715	2	Capscrew, Hex Head M8 x 1.25 x 50mm	-
18	15-00701	4	Flat Washer M8	-
19	14-04802	2	Hex Nut, Nylock M8 x 1.25 Class 8	-
* Note: items #17-19 used to mount engine controller				

GROUP 5 – ELECTRICAL SYSTEMS

Expanded Engine Electrical System, 12 Vol Standard Ground M65C13

NO SEPARATE TEMPERATURE SWITCH - HIGH TEMPERATURE SHUTDOWN BY ECU

KEY	PART NUMBER	QTY	DESCRIPTION	SERIAL NUMBER
1	22-49411	1	Harness Assembly	-
	22-49419	1	Wire Harness Addition, Isolated Ground	-
2	22-70183-1	1	Dual Station Relay Board Sub-Assembly Manual Start (See Parts Detail)	-
3	22-42047	3	Relay, SPDT 50 Amp	-
4	12-00001	4	MSCR, Ph Phillips #10-32 x 3/4" S/S	-
5	14-00032	4	Hex Nut, Nylock #10-32 S/S	-
7	22-42803	1	Sender, Pressure 0-80 PSI, Isolated Ground 1/8 NPT	-
8	22-40963	1	Switch, Pressure 15 PSI N.O./N.C. 1/8NPT	-
9	22-42802	1	Sender, Temperature 250F Isolated Ground 1/2 NPT	-
11	RE540300	1	Starter 2.5 kW Standard Ground R.H. 2-Bolt SAE Type #4 Mount	-
12	12-80832	1	Capscrew, Hex Head Flanged M10 x 1.5 x 30 mm Grade 10.9	-
13	13-00814	1	Stud M10 x 1.5 x 30mm (42mm LOA) Grade 8.8	-
14	14-80811	1	Hex Nut, Flanged M10 x 1.5 Property Class 10	-
15	22-41080	1	Soleniod 85 Amp Isolated Ground	-
16	23-40009	1	Bracket, Solenoid Mtg.	-
17	14-00101	2	Lock Nut, Serrated Flange 1/4-20	-
18	19-00060	1	Hose Clamp #60 S/S	-
19	12-00715	2	Capscrew, Hex head M8 x 1.26 x 50mm	-
20	15-00701	4	Flat Washer M8	-
21	14-04802	2	Hex Nut, Nylock M8 x 1.25 Class 8	-
22	RE509677	1	Harness Assy Filter / Separator Connection	-
23	00-78215	1	Grommet	-
			* Note: Items #19-21 used to mount engine controller	

Engine Electrical , 12 Volt Isolated Ground CAN-BUS M50T13 - M65T13

KEY	PART NUMBER	QTY	DESCRIPTION	SERIAL NUMBER
1	22-49411	1	Harness Assembly	-
	22-49419	1	Wire Harness Addition, Isolated Ground	-
2	22-70183	1	Dual Station Relay Panel Assembly (See Parts Detail)	-
3	22-42047	3	Relay, SPDT 50 Amp	-
4	12-00001	4	MSCR, Ph Phillips #10-32 x 3/4" S/S	-
5	14-00032	4	Hex Nut, Nylock #10-32 S/S	-
7	22-42803	1	Sender, Pressure 0-80 PSI, Isolated Ground 1/8 NPT	-
8	22-40963	1	Switch, Pressure 15 PSI N.O./N.C. 1/8NPT	-
9	22-42802	1	Sender, Temperature 250F ISO Ground 1/2 NPT	-
10	22-40981	1	Switch, Temperature 215F N.O./N.C. Isolated Ground 3/8NPT	-
11	22-41426	1	Starter 12 Volt Isolated Ground R.H. 2-Bolt SAE Type #4 Mount.	-
12	12-80832	1	Capscrew, Hex Head Flanged M10 x 1.5 x 30 mm Grade 10.9	-
13	13-00814	1	Stud M10 x 1.5 x 30mm (42mm LOA) Grade 8.8	-
14	14-80811	1	Hex Nut, Flanged M10 x 1.5 Property Class 10	-
15	22-41080	1	Soleniod 85 Amp Isolated Ground	-
16	23-40009	1	Bracket	-
17	14-00101	2	Lock Nut, Serrated Flange 1/4-20	-
18	19-00060	1	Hose Clamp #60 S/S	-
19	15-49502	6	Insulator	-
20	15-49503	2	Insulator	-
21	19M7979	2	Capscrew, Hex Head Flanged M8 x 1.25 x 55mm Grade 10.9	-
22	15-70004	2	Snubbing Washer S/S	-
23	14-09712	2	Hex Nut, Nylock M8 x 1.25 S/S (316)	-
24	00-78215	1	Grommet	-

* Note: Items #19-23 used to mount engine controller

GROUP 5 – ELECTRICAL SYSTEMS

Basic Engine Electrical System, 12 Volt Isolated Ground M65C13

Key	Part Number	Qty	Description	Serial Number
1	00-99401	1	Label "Genset Control - Run / Stop / Crank"	-
2	22-41049	1	Toggle Switch	-
3	22-41133	1	Toggle Switch	-
4	22-49411	1	Harness Assy	-
5	00-78215	1	Grommet	-
7	22-41426	1	Starter 2.5 kW Isolated Ground R.H. 2-Bolt SAE Type 4 Mount	-
8	22-49587	1	Alternator 72 Amp Isolated Ground (See Parts & Mounting Detail)	-
9	12-80832	1	Capscrew, Hex Head Flanged M10x1.5 X 30mm Grade 10.9	-
10	13-00814	1	Stud M10x1.5 X 30mm (42mm Loa) Grade 8.8	-
11	14-80811	1	Hex Nut, Flanged M10x1.5 Property Class 10	-
13	22-41080	1	Solenoid 85 Amp Isolated Ground	-
14	23-40009	1	Bracket	-
15	14-00101	2	Lock Nut, Serrated Flange 1/4-20	-
16	19-00060	1	Hose Clamp #60 S/S	-
17	15-49502	6	Insulator	-
18	15-49503	2	Insulator	-
19	19M7979	2	Capscrew, Hex Head Flanged M8x1.25 X 55mm Grade 10.9	-
20	15-70004	2	Snubbing Washer S/S	-
21	14-09712	2	Hex Nut, Nylock M8x1.25 S/S (316)	-
* Note: Items #17-21 used to mount engine controller				

Expanded Engine Electrical System, 12 Volt Isolated Ground M65C13

Key	Part Number	Qty	Description	Serial Number
1	22-49411	1	Harness Assembly	-
	22-49419	1	Wire Harness Addition Isolated Ground	-
2	22-70083-1	1	Dual Station Relay Board Sub-Assy,Manual Start (See Parts Detail)	-
3	22-42047	3	Relay,SPDT 50 Amp	-
4	12-00001	4	MSCR,Ph Phillips #10-32 X 3/4" S/S	-
5	14-00032	4	Hex Nut, Nylock #10-32 S/S	-
7	22-42803	1	Sender,Pressure 0-80 PSI, Isolated Ground 1/8Npt	-
8	22-40963	1	Switch,Pressure 15PSI N.O./N.C. 1/8NPT	-
9	22-42802	1	Sender,Temperature 250F Isolated Ground 1/2NPT	-
11	22-41426	1	Starter 2.5 kW Isolated Ground R.H. 2-Bolt SAE Type 4 Mount	-
12	12-80832	1	Capscrew,Hex Head Flanged M10x1.5 X 30Mm Grade 10.9	-
13	13-00814	1	Stud M10x1.5 X 30mm (42mm Loa) Grade 8.8	-
14	14-00811	1	Hex Nut M10x1.5 (17mm Hex)	-
15	22-41080	1	Solenoid 85 Amp Isolated Ground	-
16	23-40009	1	Bracket	-
17	14-00101	2	Lock Nut,Serrated Flange 1/4-20	-
18	19-00060	1	Hose Clamp #60 S/S	-
19	15-49502	6	Insulator	-
20	15-49503	2	Insulator	-
21	19M7979	2	Capscrew,Hex Head Flanged M8x1.25 X 55mm Grade 10.9	-
22	15-70004	2	Snubbing Washer S/S	-
23	14-09712	2	Hex Nut,Nylock M8x1.25 S/S (316)	-
24	00-78215	1	Grommet	-
* Note: Items #17-23 used to mount engine controller				

GROUP 5 – ELECTRICAL SYSTEMS

Engine Electrical 24 Volt Standard Ground M50T13 - M65T13

Key	Part Number	Qty	Description	Serial Number
1	22-49411	1	Harness Assembly	-
	22-49419	1	Wire Harness Addition, Isolated Ground	-
2	22-70183	1	Dual Station Relay Panel Assembly (See Parts Detail)	-
3	22-40085	3	Relay, SPDT 20 Amp	-
4	12-00001	4	MSCR, PH Phillips #10-32 x 3/4" S/S	-
5	14-00032	4	Hex Nut, Nylock #10-32 S/S (18-8)	-
7	22-41016	1	Pressure Sender 0-80 PSI Standard Ground 1/8 NPT	-
8	22-40963	1	Switch, Pressure 15 PSI N.O./N.C. 1/8 NPT 10 A Contacts	-
9	22-42802	1	Sender, Temperature 250F Isolated ground 1/2 NPT	-
10	22-40981	1	Switch, Temperature 215F N.O./N.C. Isolated Ground 3/8 NPT	-
11	22-41443	1	Starter 4.5 kW Standard Ground R.H. 2-Bolt SAE Type #4 Mount	-
12	12-80832	1	Capscrew, Hex Head Flanged M10 x 1.5 x 30 mm Grade 10.9	-
13	13-00814	1	Stud M10 x 1.5 x 30 mm (42mm LOA) Grade 8.8	-
14	14-80811	1	Hex Nut, Flanged M10 x 1.5 Property Class 10	-
15	22-41079	1	Solenoid 85 Amp Isolated Ground	-
16	23-40009	1	Bracket	-
17	14-00101	2	Lock Nut, Serrated Flange 1/4-20	-
18	19-00060	1	Hose Clamp	-
19	12-00715	2	Capscrew, Hex Head M8 x 1.25 x 50mm	-
20	15-00701	4	Flat Washer M8	-
21	14-04802	2	Hex Nut, Nylock M8 x 1.25 Class 8	-
22	RE509678	1	Harness Assembly Filter / Separator Connection	-
23	00-78215	1	Grommet	-

* Note: Item # 19-21 used to mount engine controller

Engine Electrical System, 24 Volt Standard Ground - M65C13

Key	Part Number	Qty	Description	Serial Number
1	00-99401	1	Label, "Genset Control - Run / Stop / Crank"	-
2	22-41049	1	Toggle Switch	-
3	22-41133	1	Toggle Switch	-
4	22-49411	1	Harness Assembly	-
5	00-78215	1	Grommet	-
7	22-41433	1	Starter 12V 4.5kW Isolated Ground R.H. 2-Bolt SAE Type #4 Mount	-
8	22-49586	1	Alternator 50 Amp Standard Ground (See Parts & Mounting Details)	-
9	12-80832	1	Capscrew, Hex Head Flanged M10 x 135 x 30mm Grade 10.9	-
10	13-00814	1	Stud M10 x 1.5 x 30mm (42mm LOA) Grade 8.8	-
11	14-80811	1	Hex Nut, Flanged M10 x 1.5 Property Class 10	-
13	22-41079	1	Solenoid 85 Amp Isolated Ground	-
14	23-40009	1	Bracket	-
15	14-00101	2	Lock Nut, Serrated Flange 1/4-20	-
16	19-00060	1	Hose Clamp #60 S/S	-
17	12-00715	2	Capscrew, Hex Head M8 x 1.25 x 50 mm	-
18	15-00701	4	Flat Washer M8	-
19	14-04802	2	Hex Nut, Nylock M8 x 1.25 Class 8	-
			* Note: Item # 17-19 used to mount engine controller	

GROUP 5 – ELECTRICAL SYSTEMS

Expanded Engine Electrical System, 24 Volt Standard Ground M65C13

Key	Part Number	Qty	Description	Serial Number
1	22-49411	1	Harness Assembly	-
	22-49419	1	Wire Harness Addition, Isolated Ground	-
2	22-70083-1	1	Dual Station Relay Board Sub-Assembly, Manual Start (See Parts Detail)	-
3	22-40085	3	Relay, SPDT 20 Amp	-
4	12-00001	4	MSCR, PH Phillips #10-32 x 3/4" S/S	-
5	14-00032	4	Hex Nut, Nylock #10-32 S/S (18-8) S/S	-
7	22-42803	1	Sender, Pressure 0-80 PSI, Isolated Ground 1/2 NPT	-
8	22-40963	1	Switch, Pressure 15 PSI N.O./N.C. 1/8 NPT 10A	-
9	22-42802	1	Sender, Temperature 250°F Isolated Ground 1/2 NPT	-
11	22-41443	1	Starter, 4.5kW Standard Ground, R.H. 2-Bolt SAE Type #4 Mount	-
12	12-80832	1	Capscrew, Hex Head Flanged M10 x 1.5 x 30mm Grade 10.9	-
13	13-00814	1	Stud M10 x 1.5 x 30mm (42mm LOA) Grade 8.8	-
14	14-80811	1	Hex Nut, Flanged M10 x 1.5 Property Class 10	-
15	22-41079	1	Solenoid 85 Amp Isolated Ground	-
16	23-40009	1	Bracket	-
17	14-00101	2	Lock Nut, Serrated Flange 1/4-20	-
18	19-00060	1	Hose Clamp #60 S/S	-
19	12-00725	2	Capscrew, Hex Head M8 x 1.25 x 50mm	-
20	12-00701	4	Flat Washer M8	-
21	14-04802	2	Hex Nut, Nylock M8 x 1.25 Class 8	-
22	RE509678	1	Harness Assembly Filter / Separator Connection	-
23	00-78215	1	Grommet	-

Engine Electrical System, 24 Volt Isolated Ground M50T13-M65T13

Key	Part Number	Qty	Description	Serial Number
1	22-49411	1	Harness Assembly	-
	22-49419	1	Wire Harness Addition, Isolated Ground	-
2	22-70183	1	Dual Station Relay Panel Assembly (See Parts Detail)	-
3	22-40085	3	Relay, SPDT 20 Amp	-
4	12-00001	4	MSCR, PH Phillips #10-32 x 3/4" S/S	-
5	14-00032	4	Hex Nut, Nylock #10-32 S/S (18-8) S/S	-
7	22-42803	1	Sender, Pressure 0-80 PSI, Isolated Ground 1/2 NPT	-
8	22-40963	1	Switch, Pressure 15 PSI N.O./N.C. 1/8 NPT 10A	-
9	22-42802	1	Sender, Temperature 250°F Isolated Ground 1/2 NPT	-
10	22-70981	1	Switch, Temperature 215F N.O./N.C. 1/8NPT	-
11	22-41443	1	Starter, 4.5kW Standard Ground, R.H. 2-Bolt SAE Type #4 Mount	-
12	12-80832	1	Capscrew, Hex Head Flanged M10 x 1.5 x 30mm Grade 10.9	-
13	13-00814	1	Stud M10 x 1.5 x 30mm (42mm LOA) Grade 8.8	-
14	14-80811	1	Hex Nut, Flanged M10 x 1.5 Property Class 10	-
15	22-41079	1	Solenoid 85 Amp Isolated Ground	-
16	23-40009	1	Bracket	-
17	14-00101	2	Lock Nut, Serrated Flange 1/4-20	-
18	19-00060	1	Hose Clamp #60 S/S	-
19	15-49502	6	Insulator	-
20	15-49503	2	Insulator	-
21	14-04802	2	Hex Nut, Nylock M8 x 1.25 Class 8	-
22	19M7979	2	Capscrew, Hex Head Flanged M8 x 1.25 x 55mm Grade 10.9	-
23	00-78215	1	Grommet	-

GROUP 5 – ELECTRICAL SYSTEMS

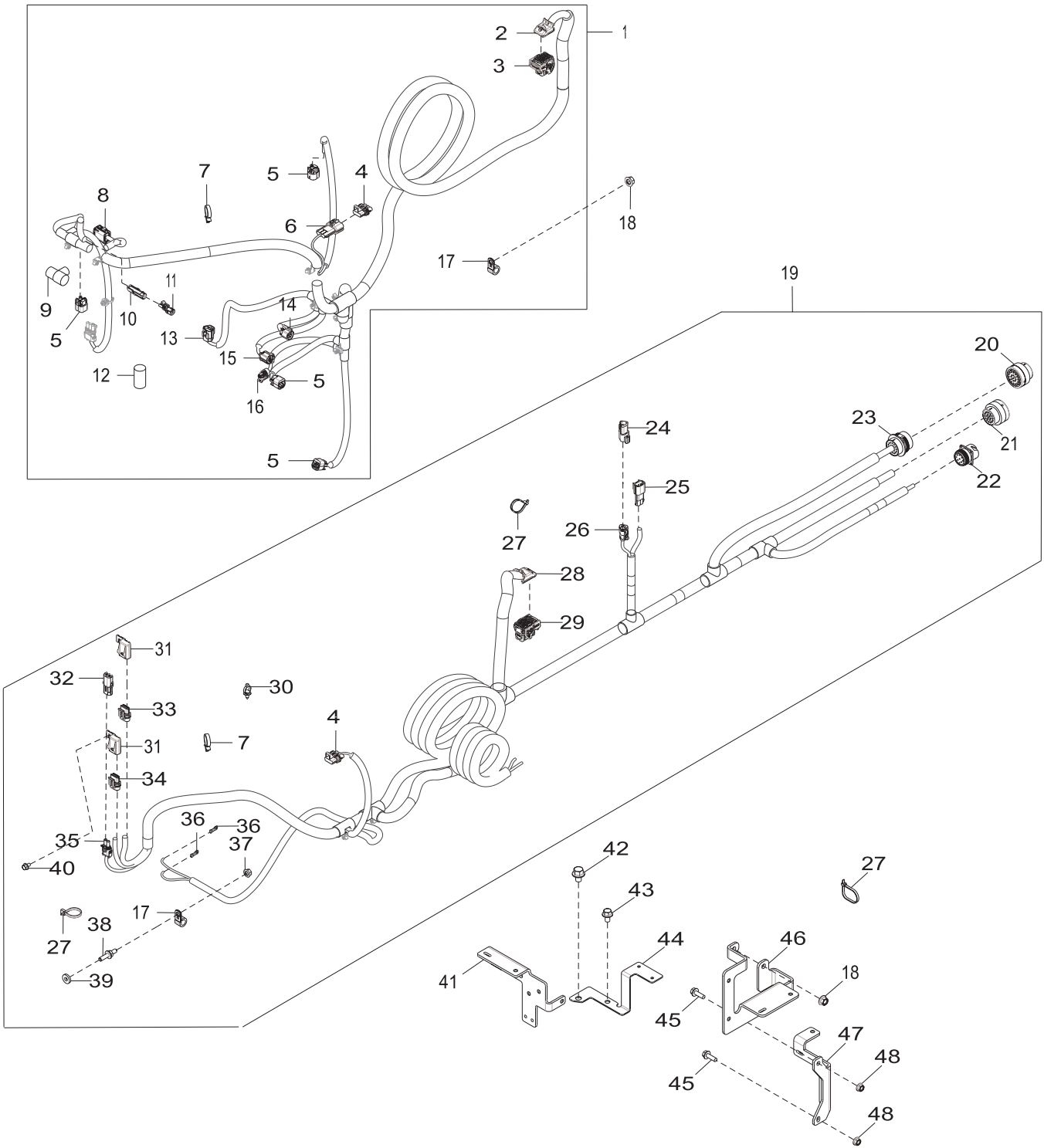
Basic Engine Electrical System Conversion, 24 Volt Isolated Ground - M65C13

Key	Part Number	Qty	Description	Serial Number
1	00-99401	1	Label, "Genset Control - Run / Stop / Crank"	-
2	22-41049	1	Toggle Switch	-
3	22-41133	1	Toggle Switch	-
4	22-49411	1	Harness Assembly	-
5	00-78215	1	Grommet	-
7	22-41433	1	Starter 4.5kW Isolated Ground R.H. 2-Bolt SAE Type #4 Mount	-
8	22-49584	1	Alternator 50 Amp Isolated Ground (See Parts & Mounting Details)	-
9	12-80832	1	Capscrew, Hex Head Flanged M10 x 135 x 30mm Grade 10.9	-
10	13-00814	1	Stud M10 x 1.5 x 30mm (42mm LOA) Grade 8.8	-
11	14-80811	1	Hex Nut, Flanged M10 x 1.5 Property Class 10	-
13	22-41079	1	Solenoid 85 Amp Isolated Ground	-
14	23-40009	1	Bracket	-
15	14-00112	2	Hex Nut, Nylock 1/4-20	-
16	19-00060	1	Hose Clamp #60 S/S	-
17	15-49502	6	Insulator	-
18	15-49503	4	Insulator	-
19	19M7979	2	Capscrew, Hex Head Flanged M8 x 1.25 x 55mm Grade 10.9	-
20	15-70004	2	Snubbing Washer S/S	-
21	14-09712	2	Hex ut, Nylock M8 x 1.25 S/S (316)	-
* Note: Item # 17-21 used to mount engine controller				

Expanded Engine Electrical System, 24 Volt Isolated Ground - M65C13

Key	Part Number	Qty	Description	Serial Number
1	22-49411	1	Harness Assembly	-
	22-49419	1	Wire Harness Addition, Isolated Ground	-
2	22-70083-1	1	Dual Station Relay Board Sub-Assy, Manual Start (See Parts Detail)	-
3	22-40085	3	Relay, SPDT 24 VDC 20A	-
4	12-00001	4	MSCR, PH Phillips #10-32 x 3/4" S/S	-
5	14-00032	4	Hex Nut, Nylock #10-32 S/S (18-8)	-
7	22-42803	1	Pressure Sender 0-80 PSI Isolated Ground 1/8 NPT	-
8	22-40963	1	Switch, Pressure 15 PSI N.O./N.C. 1/8 NPT	-
9	22-42802	1	Sender, Temperature 250F Isolated ground 1/2 NPT	-
11	22-41433	1	Starter 4.5 kW Isolated Ground R.H. 2-Bolt SAE Type #4 Mount	-
12	12-80832	1	Capscrew, Hex Head Flanged M10 x 1.5 x 30 mm Grade 10.9	-
13	13-00814	1	Stud M10 x 1.5 x 30 mm (45mm LOA) Grade 8.8	-
14	14-80811	1	Hex Nut, Flanged M10 x 1.5 Property Class 10	-
15	22-41079	1	Solenoid 85 Amp Isolated Ground	-
16	23-40009	1	Bracket	-
17	14-00101	2	Lock Nut, Serrated Flange 1/4-20	-
18	19-00060	1	Hose Clamp	-
19	15-49502	6	Insulator	-
20	15-49503	4	Insulator	-
21	19M7979	2	Capscrew, Hex Head M8 x 1.25 x 55mm Grade 10.9	-
22	15-70004	2	Snubbing Washer S/S	-
23	14-19712	2	Hex Nut, Nylock M8 x 1.25 S/S (316)	-
24	00-78215	1	Grommet	-

Engine Wiring Harness



84EA_RE553241_PCD

Engine Wiring Harness

Key	Part No.	Part Name	Qty.	Engine Serial No.	Remarks
1	RE553242	Wiring Harness	1		
2	57M10604	Elec. Connector Housing	1		
3	57M10605	Elec. Connector Housing	1		
4	57M7280	Elec. Connector Housing	2		
5	57M8601	Elec. Connector Housing	4		
6	57M7305	Elec. Connector Housing	1		
7	57M9246	Clip	2		
8	57M8746	Elec. Connector Housing	1		
9	57M9267	Tee Fitting	1		
10	R78052	Electrical Connector Assy	1		
11	RE12362	Electrical Connector Assy	1		
12	57M9327	Sleeve	2		
13	57M8407	Elec. Connector Housing	1		
14	57M8403	Elec. Connector Housing	1		
15	57M8400	Elec. Connector Housing	1		
16	57M9005	Elec. Connector Housing	1		
17	57M10829	Half Clamp	2		
18	14M7296	Flange Nut	3		M10
19	RE559576	Harness Kit	1		
20	57M7749	Electrical Connector Assy	1		
21	57M8112	Elec. Connector Housing	1		
22	57M7919	Elec. Connector Housing	1		
23	57M7750	Elec. Connector Housing	1		
24	57M8131	Electronic Terminator	1		
25	57M7304	Elec. Connector Housing	1		
26	57M8637	Elec. Connector Housing	1		
27	R44302	Tie Band	8		
28	57M10613	Elec. Connector Housing	1		
29	57M10615	Elec. Connector Housing	1		
30	RE258807	Tie Band	2		
31	57M8487	Electrical Connector Cap	2		
32	R78053	Electrical Connector Assy	1		
33	57M8600	Elec. Connector Housing	1		
34	R104570	Electrical Connector Assy	1		
35	RE12363	Electrical Connector Assy	1		
36	57M7547	Elec. Connector Terminal	2		
37	14M7298	Flange Nut	1		M8
38	R529573	Stud	1		
39	24M7476	Washer	1		8.400 X 21 X 4 mm
40	19M7861	Screw	2		M6 X 10
41	R538167	Bracket	1		
42	19M8242	Screw	1		M12 X 16
43	19M7783	Screw	1		M10 X 16
44	R538165	Bracket	1		
45	19M7867	Screw	2		M8 X 25
46	R538163	Bracket	1		
47	R537522	Bracket	1		
48	14M7298	Flange Nut	2		M8

GROUP 5 – ELECTRICAL SYSTEMS

Oil Pressure Manifold

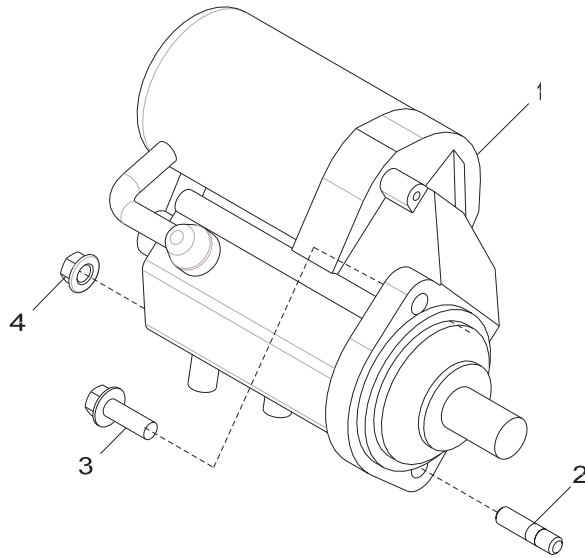
KEY	PART NUMBER	QTY	DESCRIPTION	SERIAL NUMBER
1	10-85401	1	Manifold, Oil Pressure 6ea 1/8 NPT & 1ea 1/4 NPT Ports	-
2	21-75703	2	Spacer, BP. 1/2 SCHD 80 x 21/32"	-
3	12-04802	2	Capscrew, Hex Head M12 x 1.75 x 40 mm	-
4	15-00912	2	Lock Washer, Helical M12 Din Code 127-B	-
5	15-00007	2	Flat Washer M12 Din Code 125A	-
6	21-52205	1	Male Connector Steel, 18/8 NPT x 1/4-37 T	-
7	18-55405	1	Hose Assembly 1/4" ID x 9"	-
8	21-71053	1	Male Elbow 90 Steel, 1/8 NPT x 1/4-37T	-
9	21-00012	4	Plug, Hex Head, Brass 1/8 NPT	-
10	21-00132	1	Bushing, Brass 1/4 NPT x 1/8 NPT	-

Pre-Alarm Switches, High Coolant Temperature / Low Oil Pressure M65T13

KEY	PART NUMBER	QTY	DESCRIPTION	SERIAL NUMBER
1	22-40357	1	Switch, Pressure 25PSI N.O./N.C. 1/8NPT	-
2	22-40943	1	Switch, Temperature 205F N.O./N.C. 3/8NPT Isolated Ground *	-
3	22-41077	1	Terminal Strip 10 Connection 20A 600VAC #12-22 AWG	-
4	12-00005	2	MSCR, PH Phillips #8-32 x 3/4" S/S	-
5	14-00003	2	Hex Nut, Nylock #8-32 S/S	-
6	22-40914	1	Oil Temperature Switch 240F	-
7	22-40536	1	Cooling System Pressure Switch 9PSI	-
<p>* Pre-Alarm temperature rating was 195°F. See also Engine Electrical For Revised shut-down rating. (Was 205°F now 215°F)</p>				

GROUP 5 – ELECTRICAL SYSTEMS

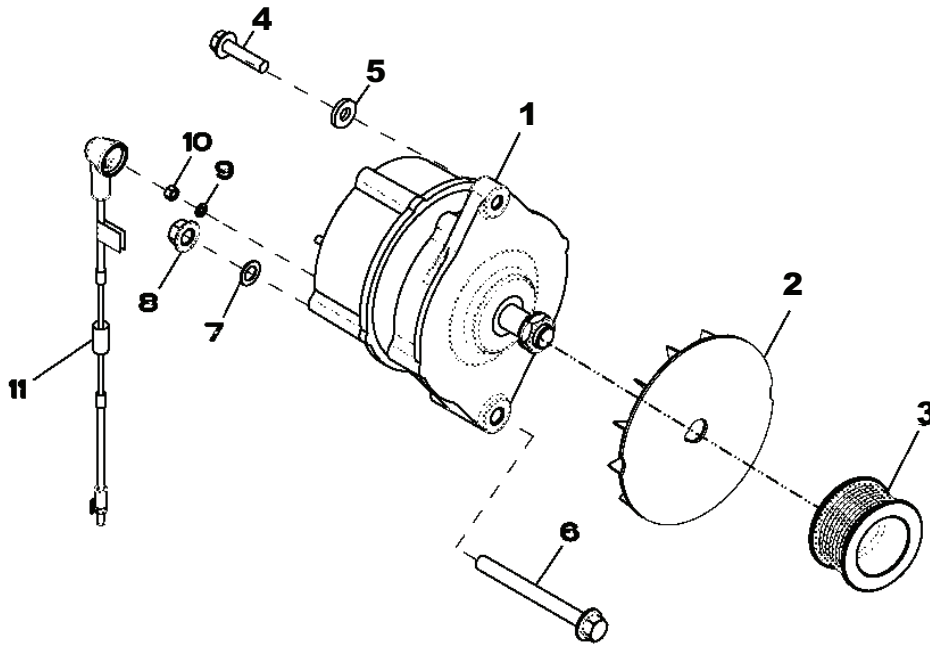
Starter



3007_RE59604_PCD

Key	Part No.	Part Name	Qty.	Engine Serial No.	Remarks
1	RE540300	Starter 12 Volt Standard Ground	1		(Includes T146102)
	22-41426	Starter 12 Volt Isolated Ground			
	22-41443	Starter 24 Volt Standard Ground			
	22-41433	Starter 24 Volt Isolated Ground			
2	42M7058	Stud	1		
3	19M7786	Screw	1		M10 X 30
4	14M7296	Flange Nut	1		M10

Alternator 14 Volt / 75 Amps Standard Ground

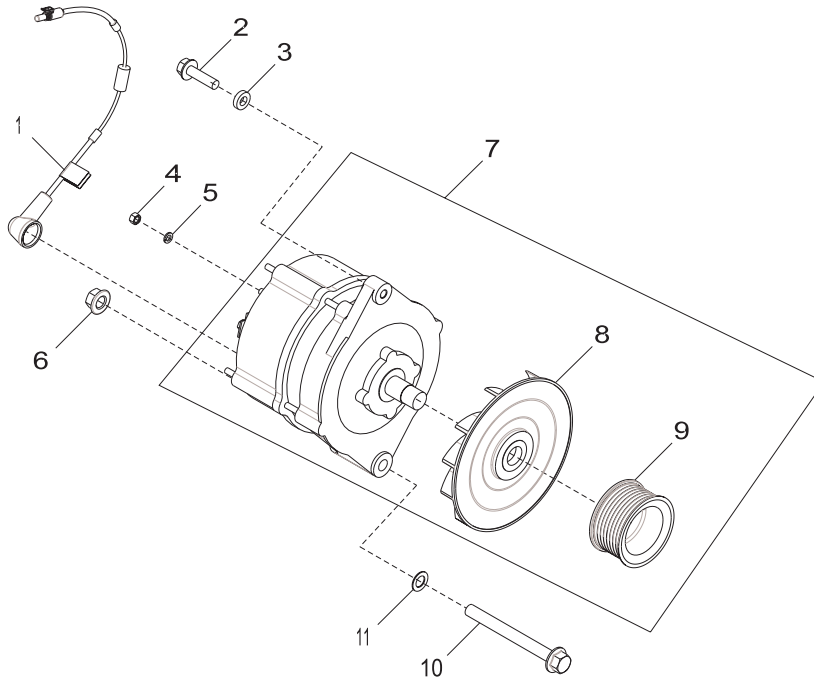


RE 509779PCDE03

Key	Part No.	Part Name	Qty.	Engine Serial No.	Remarks
1	RE533516	Alternator 14 Volt 75 Amp	1		Standard Ground (includes keys 2-3)
2	R505711	Fan	1		
3	RE516489	Pulley	1		
4	19M8291	Screw	1		M8 X 35mm
5	R501065	Washer	1		
6	19M7812	Screw	1		M10 X 100mm
7	R64525	Thrust Washer	1		
8	14-80811	Flange Nut	1		M10
9	12M7011	Lock Washer	1		5 mm
10	14M7297	Nut	1		
11	RE505489	Wiring Harness	1		
..	RE533941	Capacitor	1		Not Shown
..	RE533942	Regulator	1		Not Shown

GROUP 5 – ELECTRICAL SYSTEMS

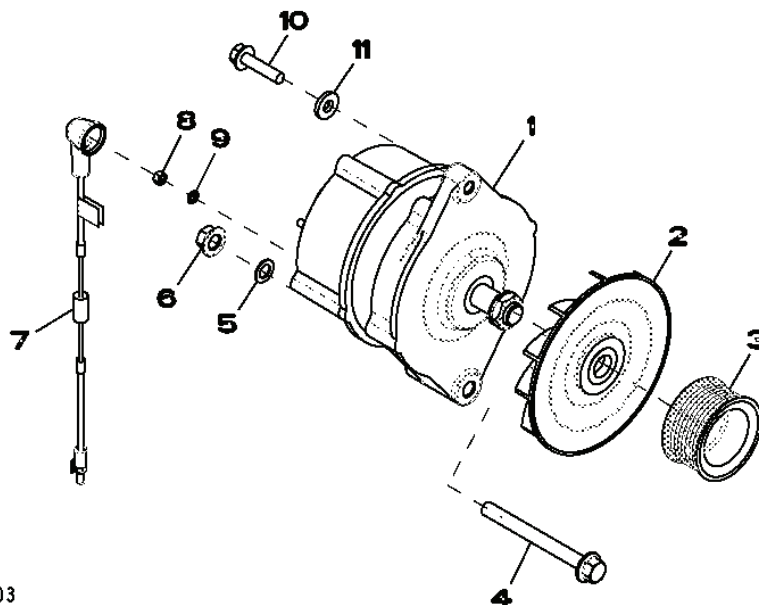
Alternator 14 Volt / 75 Amps



3148_RE527043_PCD

Key	Part No.	Part Name	Qty.	Engine Serial No.	Remarks
1	RE505489	Wiring Harness	1		
2	19M7868	Screw	1		M8 X 30 mm
3	R501065	Washer	1		
4	14M7297	Nut	2		M5
5	12M7064	Lock Washer	2		5 mm
6	14M7296	Flange Nut	1		M10
7	22-49587	Alternator 14 Volt / 75 Amp	1		Isolated Ground (includes keys #8-9)
8	R505711	Fan	1		
9	RE516489	Pulley	1		
10	19M7812	Screw	1		M10 X 100 mm
11	R64525	Thrust Washer	1		

Alternator 14 Volt / 95 Amps

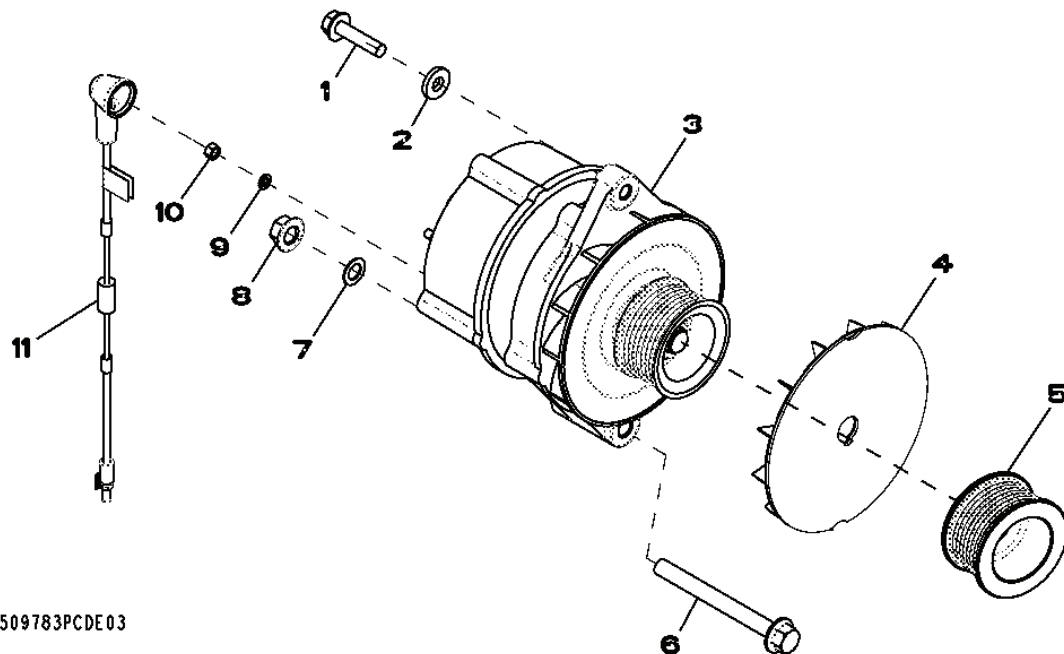


RE 509781PCDC03

Key	Part No.	Part Name	Qty.	Engine Serial No.	Remarks
1	AH137883	Alternator	1		(BOSCH 95AMP)
	SE501342	Alternator Reman	1		(REMAN FOR AH137883)
	RE533653	Alternator	1		(ISKRA 95 AMP) (INCLUDES R505711, RE516489)
2	T158584	Fan	1		(USE WITH AH137883)
	R505711	Fan	1		(USE WITH RE533653)
3	R501486	Pulley	1		(USE WITH AH137883)
	RE516489	Pulley	1		(USE WITH RE533653)
4	19M7812	Screw	1		M10 X 100mm
5	R64525	Thrust Washer	1		
6	14M7296	Flange Nut	1		M10
7	RE505489	Wiring Harness	1		
8	14M7297	Nut	1		M5
9	12M7064	Lock Washer	1		5 mm
10	19M8291	Screw	1		M8 X 35mm
11	R501065	Washer	1		
..	H144095	Capacitor	1		(USE WITH AH137883)
..	RE533941	Capacitor	1		(USE WITH RE533653)
..	H144094	Voltage Regulator	1		(USE WITH AH137883)
..	RE533942	Regulator	1		(USE WITH RE533653)

GROUP 5 – ELECTRICAL SYSTEMS

Alternator 14 Volt / 120 Amps

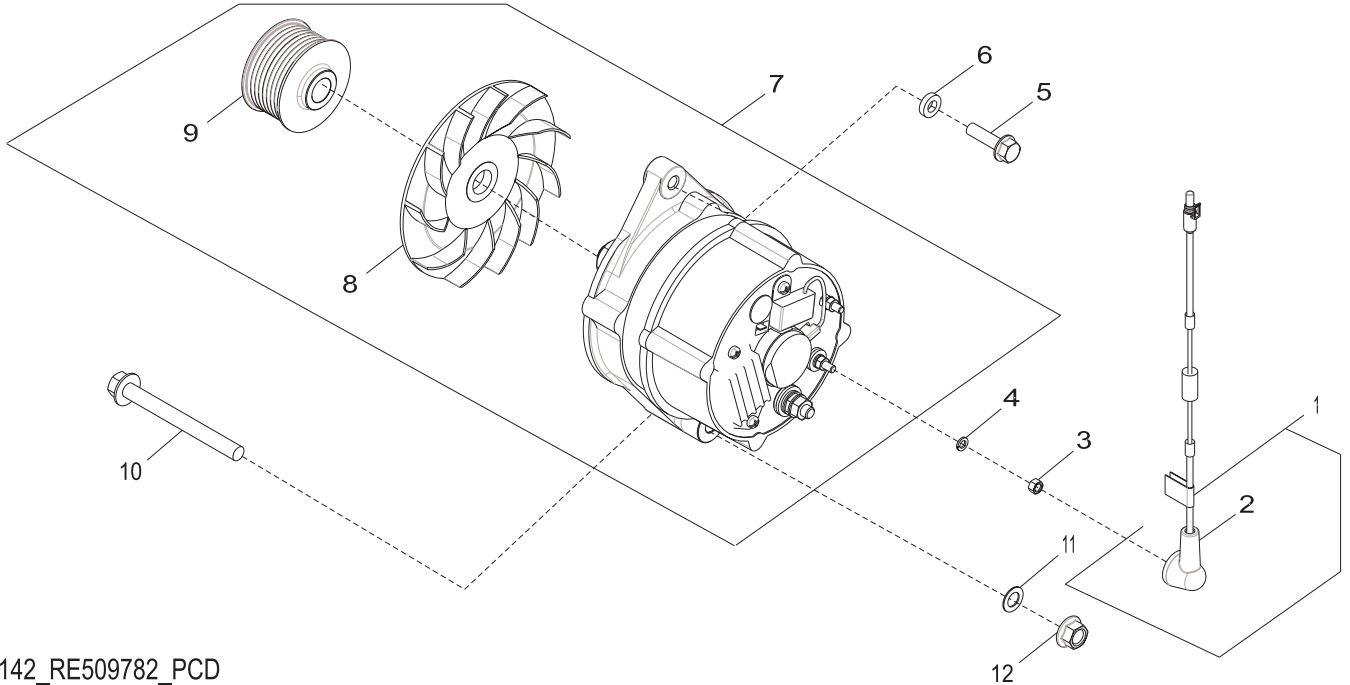


RE509783PCDE03

Key	Part No.	Part Name	Qty.	Engine Serial No.	Remarks
1	19M8291	Screw	1		M8 X 35mm
2	R501065	Washer	1		
3	AH165975	Alternator	1		120 AMP
4	SE501343	Alternator Reman	1		12V, 120ABOSCH , REMAN FOR AH165975 (12V 120 AMP, ISKRA) (INCLUDES R505711, RE516489) (USE WITH AH165975)
	RE533654	Alternator	1		
	T158584	Fan	1		
5	R505711	Fan	1		(USE WITH RE533654)
	R501486	Pulley	1		(USE WITH AH165975)
	RE516489	Pulley	1		(USE WITH RE533654)
6	19M7812	Screw	1		M10 X 100mm
7	R64525	Thrust Washer	1		
8	14M7296	Flange Nut	1		M10
9	12M7064	Lock Washer	1		5 mm
10	14M7297	Nut	1		M5
11	RE505489	Wiring Harness	1		
..	H144095	Capacitor	1		(USE WITH AH165975)
..	RE533941	Capacitor	1		(USE WITH RE533654)
..	H144094	Voltage Regulator	1		(USE WITH AH165975)
..	RE533942	Regulator	1		(USE WITH RE533654)

Alternator 28 Volt / 50 Amps

3142_RE509782_PCD A.1

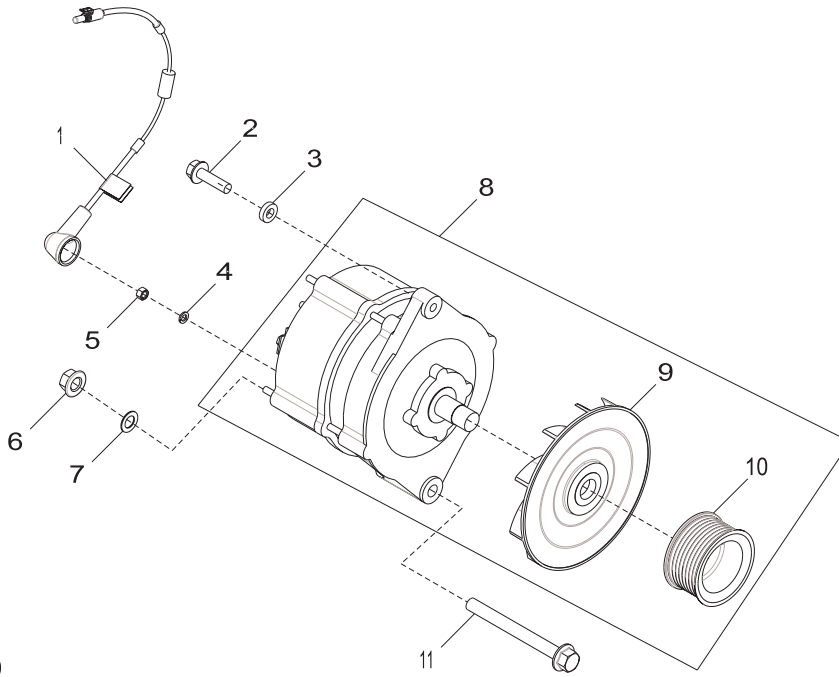


3142_RE509782_PCD

Key	Part No.	Part Name	Qty.	Engine Serial No.	Remarks
1	RE505489	Wiring Harness	1		
2	R74993	Boot	1		
3	14M7297	Nut	1	M5	
4	12M7011	Lock Washer	1	5 mm	
5	19M7868	Screw	1	M8 X 30	
3	R501065	Washer	1		
7	22-4958	Alternator 28 Volt 50 Amp	1		Standard Ground
3	R505711	Fan	1		
3	RE516489	Pulley	1		
10	19M7812	Screw	1	M10 X 100	
11	R64525	Thrust Washer	1		
12	14M7296	Flange Nut	1	M10	
13	RE533941	Capacitor	1		NOT ILLUSTRATED
14	RE533942	Regulator	1		NOT ILLUSTRATED

GROUP 5 – ELECTRICAL SYSTEMS

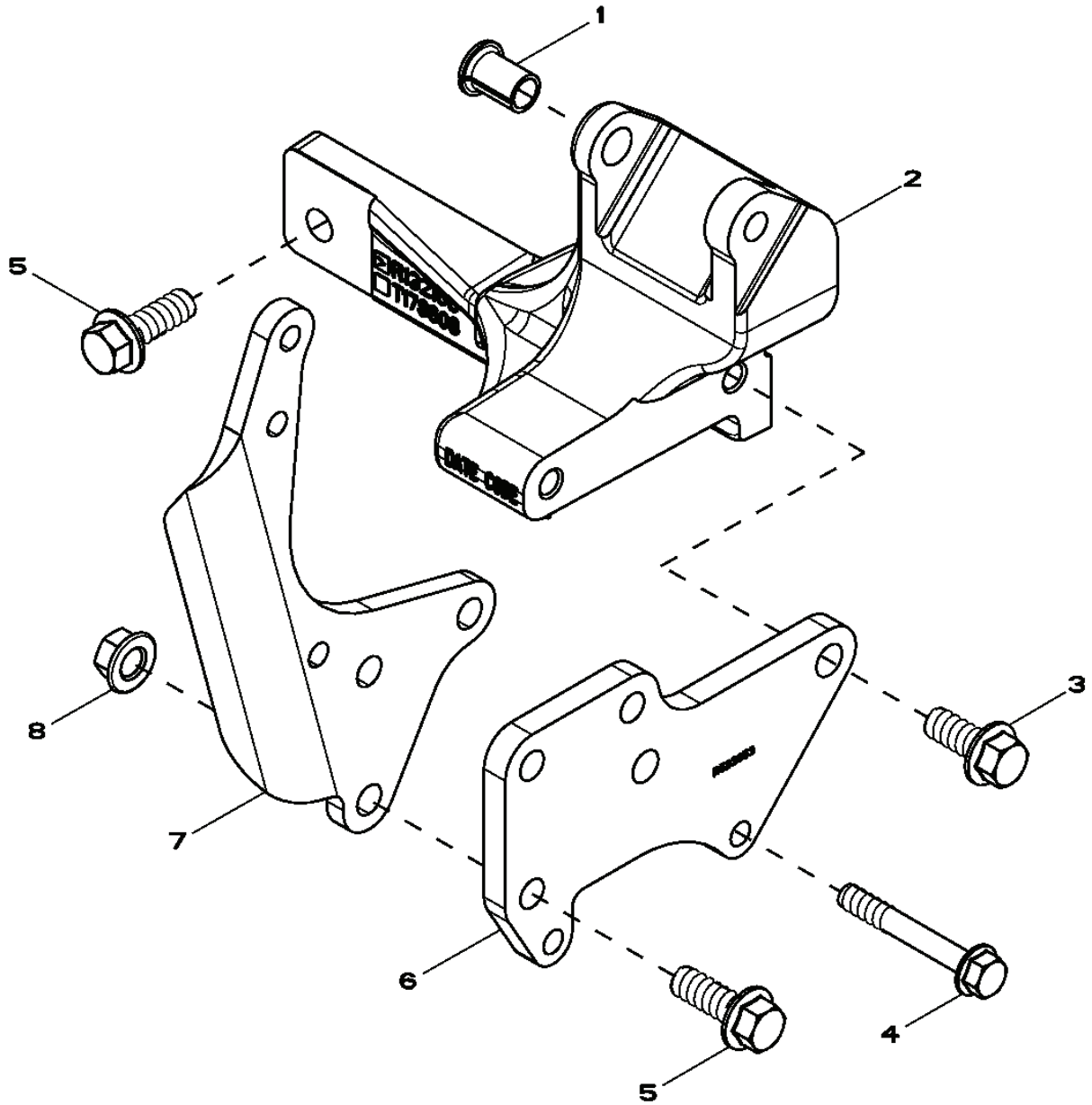
Alternator 28 Volt / 50 Amps



3149_RE527044_PCD

Key	Part No.	Part Name	Qty.	Engine Serial No.	Remarks
1	RE505489	Wiring Harness	1		
2	19M7868	Screw	1		M8 X 30
3	R501065	Washer	1		
4	12M7064	Lock Washer	2		5 mm
5	14M7297	Nut	2		M5
7	14M7296	Flange Nut	1		M10
7	R64525	Thrust Washer	1		
8	22-49584	Alternator 28 Volt 50 Amp	1		Isolated
9	R505711	Fan	1		
10	RE516489	Pulley	1		
11	19M7812	Screw	1		M10 X 100

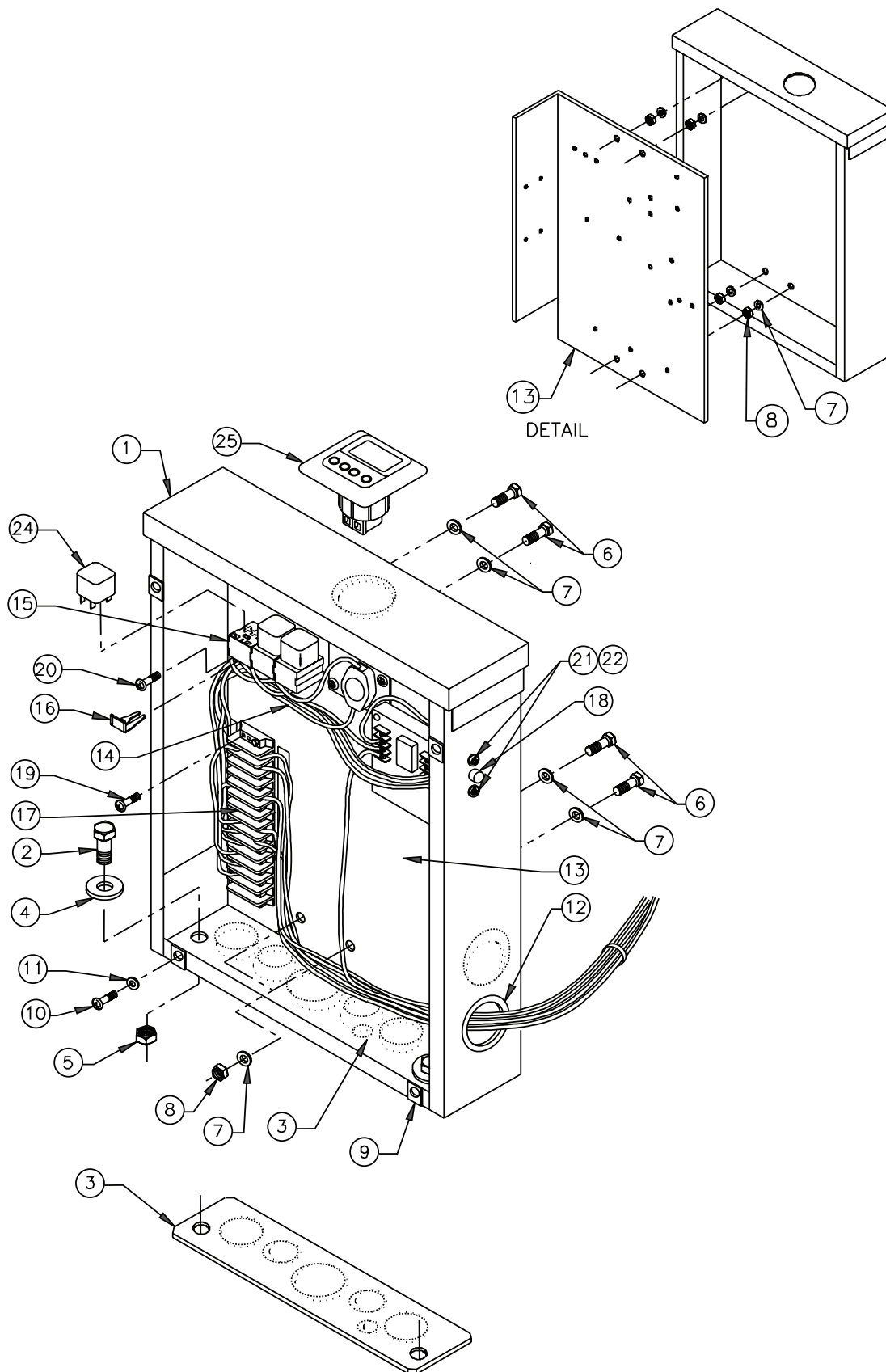
Alternator Mounting



RE 529495PCDA01

Key	Part No.	Part Name	Qty.	Engine Serial No.	HF285	Remarks
1	R100377	Bushing	1			
2	R132166	Bracket	1			
3	19M7785	Screw	2			M10 X 25
4	19M7801	Screw	2			M8 X 60
5	19M7786	Screw	5			M10 X 30
6	R523053	Support	1			
7	R132167	Strap	1			
8	14M7296	Flange Nut	3			M10

NEMA 3R DC Electrical Enclosure & Relay Panel M65T13

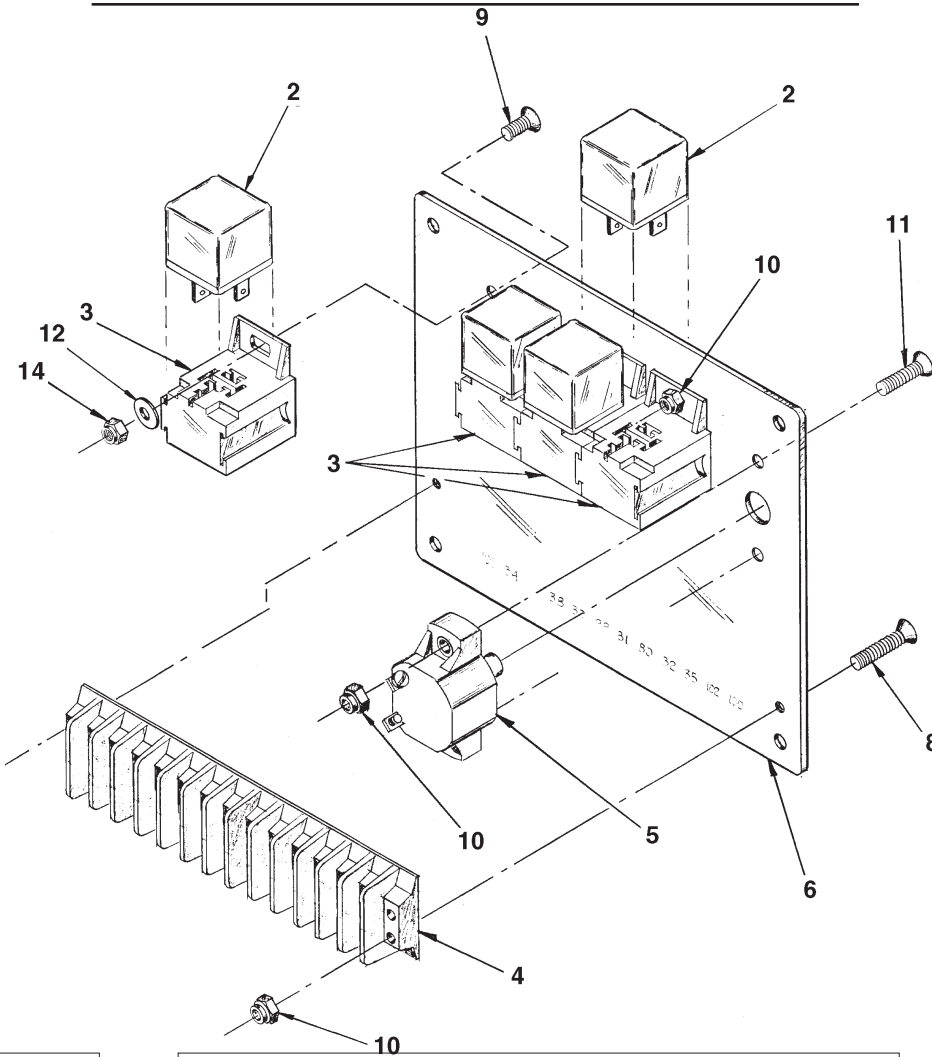


NEMA 3R DC Electrical Enclosure & Relay Panel M65T13

KEY	PART NUMBER	QTY	DESCRIPTION	SERIAL NUMBER
••	22-70183	1	Relay Panel Assembly, Manual Start (includes keys #13-23)	-
••	22-70186	1	Relay Panel Assembly, Autostart (includes keys #13-23)	-
••	22-70193	1	Relay Panel Assembly, Energise-to-stop & Redundant Power Supply (includes keys #13-23)	-
1	39-40047	1	Enclosure, NEMA 3R (former # 39-40036)	-
2	12-00832	2	Capscrew, Hex Head M10 x 1.5 x 30 mm	-
3	28-49502	1	Plate, D.C. Enclosure Mtg.	-
4	15-00014	2	Head/ Tail Washer	-
5	14-00812	2	Hex Nut, Nylock M10 x 1.5 Class 8	-
6	12-01131	4	Capscrew, Hex Head M6 x 1.0 x 20 mm	-
7	15-00008	**	Flat Washer M6	-
8	14-04803	8	Hex Nut, Nylock M6 x 1.0 Class 8	-
9	00-49503	4	Receptacle, Screw Retainer	-
10	12-72006	4	Sheet Metal Screw, Truss Head Phillips #10	-
11	15-00036	**	Flat Washer #10 Nylon	-
12	00-73109	2	Grommet 1-1/2" ID x 2-1/8" OD	-
13	28-49501	1	Back Plane	-
14	22-99537	1	Harness Assembly, Manual Start (includes key #23)	-
	22-99538	1	Harness Assembly, Autostart	-
	22-99539	1	Harness Assembly, Autostart with Redundant Power Supply	-
15	22-40391	3	Relay Base (without retainer)	-
16	22-40393	3	Terminal Retainer	-
17	22-41069	1	Terminal Strip	-
18	22-40018	1	Circuit Breaker	-
19	12-00005	4	Machine Screw, Phillips #8-32 x 3/4" S/S	-
20	12-00004	2	Machine Screw, Phillips #8-32 x 3/8" S/S	-
21	12-42105	2	Machine Screw, Phillips #8-32 x 7/8" S/S	-
22	15-00001	2	Flat Washer #8	-
23	22-41060	4	Diode 6 Amp (for use with Harness 22-99537)	-
24	22-42047	**	Relay 12 Volt	-
	22-40085	**	Relay 24 Volt	-
			**As required	
			Optional	
25	37-90086	1	Powerview Module	-
26	22-99506	1	Wire Harness (not shown)	-

12 & 24 Volt Relay Logic Board M65C13 Expanded Electrical System

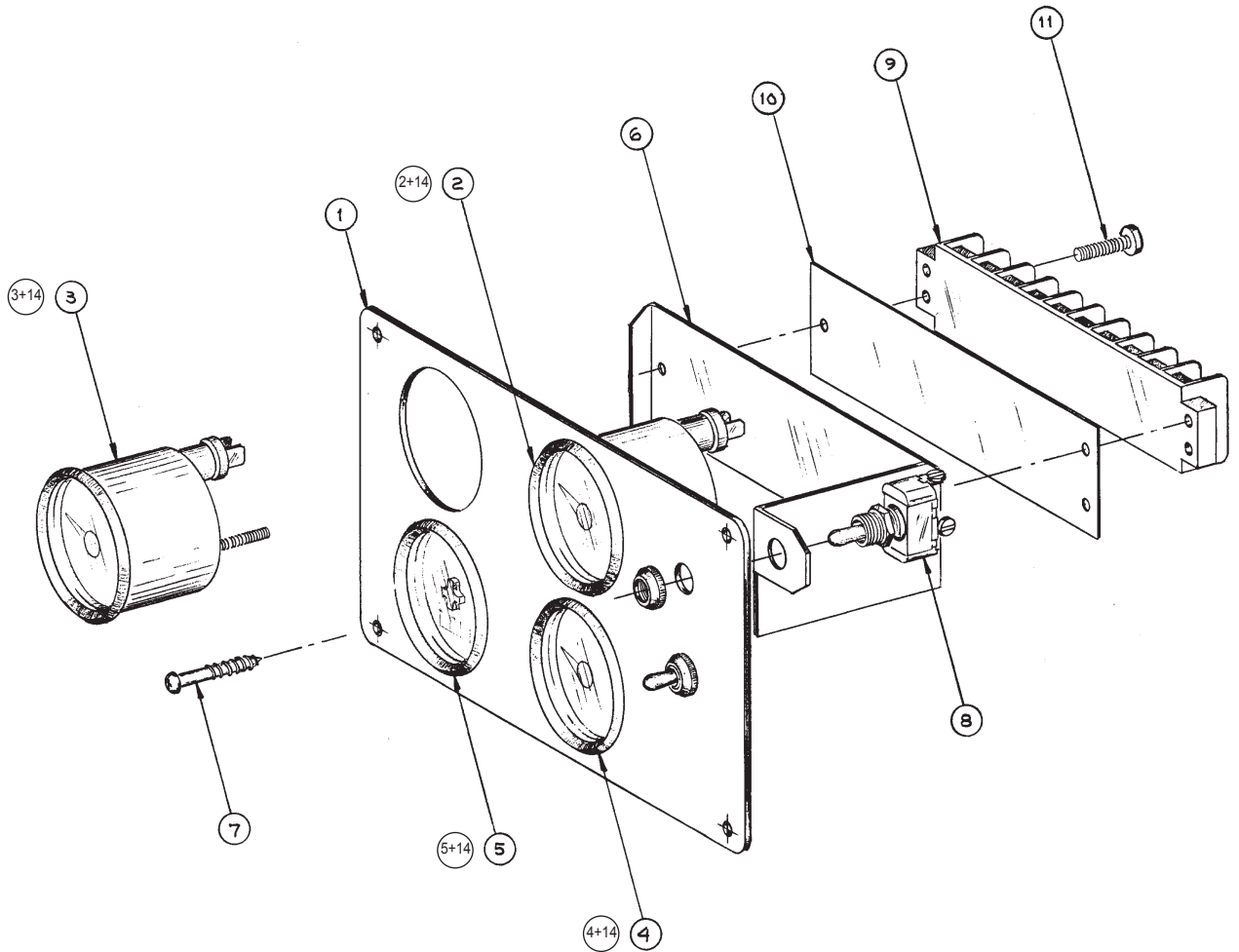
Manual Start



A-8851, A-8852/ C-2041

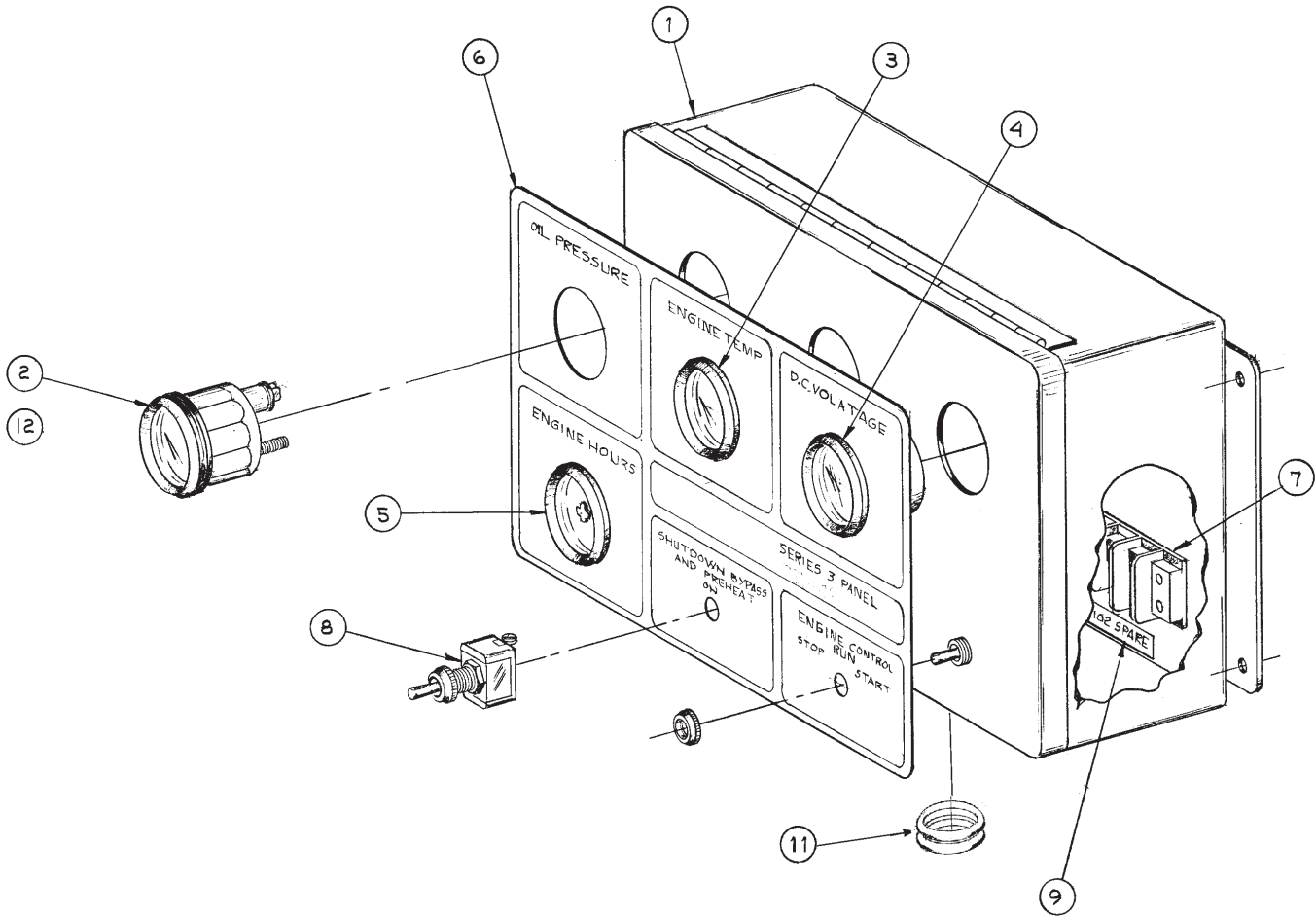
KEY	PART NUMBER	QTY	DESCRIPTION	SERIAL NUMBER
••	22-70083	1	12V Relay Logic Board, Manual Start (Includes all keys)	-
••	22-70084	1	24V Relay Logic Board, Manual Start (Includes all keys)	-
1	22-41060	2	6 amp Diode (not shown)	-
2	22-42047	4	12V Relay SPDT	-
	22-40085	4	24V Relay SPDT	-
3	22-40391	4	Relay Base	-
4	22-40193	1	12 Connection Terminal Board, 600 VAC	-
5	22-40018	1	10 amp Circuit Breaker	-
6	28-40001	1	Relay Board Mounting Plate	-
7	22-40393	4	Terminal Retainer Clip (not shown)	-
8	12-00083	2	Machine Screw, Flat Head Countersunk #8-32 x 3/4"	-
9	12-00082	4	Machine Screw, Flat Head Countersunk #8-32 x 3/8"	-
10	14-00003	4	Hex Nut, Nylock, #8 x 32	-
11	12-40225	2	Machine Screw, Flat Head Countersunk, #8-32 x 7/8"	-
12	15-00001	4	Flat Washer, #8	-
13	22-40347	1	Wire Harness, Manual Start (not shown)	-
14	14-00000	4	Hex Nut #8- 32	-

S-3C Control Panel 12 & 24 Volt Viewline Gauges



KEY	PART NUMBER	QTY	DESCRIPTION	SERIAL NUMBER
••	22-99571	1	S-3C Control Panel Assembly, 12 Volt (includes all keys)	-
••	22-99512	1	S-3C Control Panel Assembly, 24 Volt (includes all keys)	-
1	28-90010	1	Plate	-
2	37-91075-1	1	Oil Pressure Gauge, 0-80 PSI 12/24 Volt	-
3	37-91074-1	1	Engine Temperature Gauge, 250° 12/24 Volt	-
4	37-91070-1	1	Volt Meter, 8- 16 VDC	-
	37-91071-1	1	Volt Meter, 18- 32 VDC	-
5	37-91072-1	1	Hour Meter 12/ 24 Volt	-
6	23-90014	1	Bracket	-
7	12-90007	4	Self Tapping Screw, OVH Phillips #6	-
8	22-41051	2	Switch	-
9	22-41077	1	Terminal Board	-
10	22-00052	1	Number Strip	-
11	12-00006	2	Machine Screw, #8- 32 x 1/2 "	-
12	00-00013	**	Label, 12 Volt	-
	00-00014	**	Label, 24 Volt	-
13	22-40647	1	Wire Harness*	-
14	37-00014	4	Bezel	-
			*Not shown	**As required

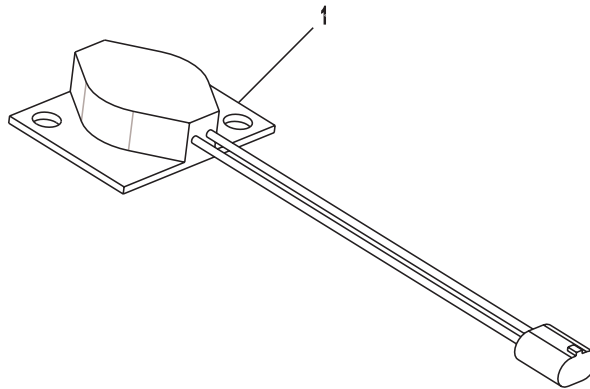
S-3B Control Panel 12 & 24 Volt Viewline Gauges



A-10525, A-10526/ C-2470

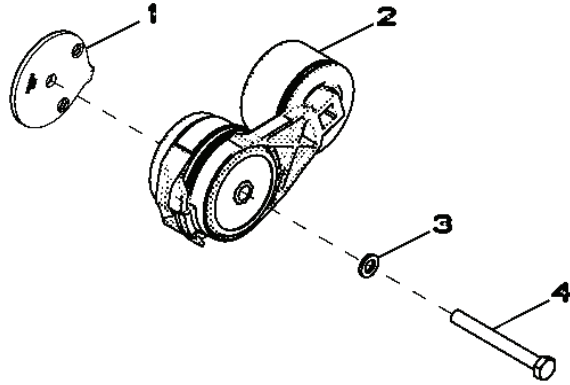
KEY	PART NUMBER	QTY	DESCRIPTION	SERIAL NUMBER
••	22-99501	1	S-3B Control Panel Assembly, 12 Volt (includes all keys)	-
••	22-99502	1	S-3B Control Panel Assembly, 24 Volt (includes all keys)	-
1	39-40008	1	Enclosure	-
2	37-90081-1	1	Oil Pressure Gauge 12 / 24 Volt	-
3	37-90075-1	1	Temperature Gauge 12 / 24 Volt	-
4	37-90072-1	1	DC Volt Meter, 8- 16 VDC	-
	37-90073-1	1	DC Volt Meter, 18- 32 VDC	-
5	37-90074-1	1	Hour Meter	-
6	00-91018	1	Decal	-
7	22-41077	1	Terminal Board	-
8	22-41051	2	Switch	-
9	22-00052	1	Number Strip	-
10	22-40257	1	Wire Harness	-
11	00-40028	1	Grommet	-
12	27-00015	4	Bezel	-

Transient Voltage Protector, 12 & 24 Volt



<i>Key</i>	<i>Part No.</i>	<i>Part Name</i>	<i>Qty.</i>	<i>Engine Serial No.</i>	<i>Remarks</i>
1	AT157679	Diode 12 Volt	1		
1	AT163022	Diode 24 Volt	1		

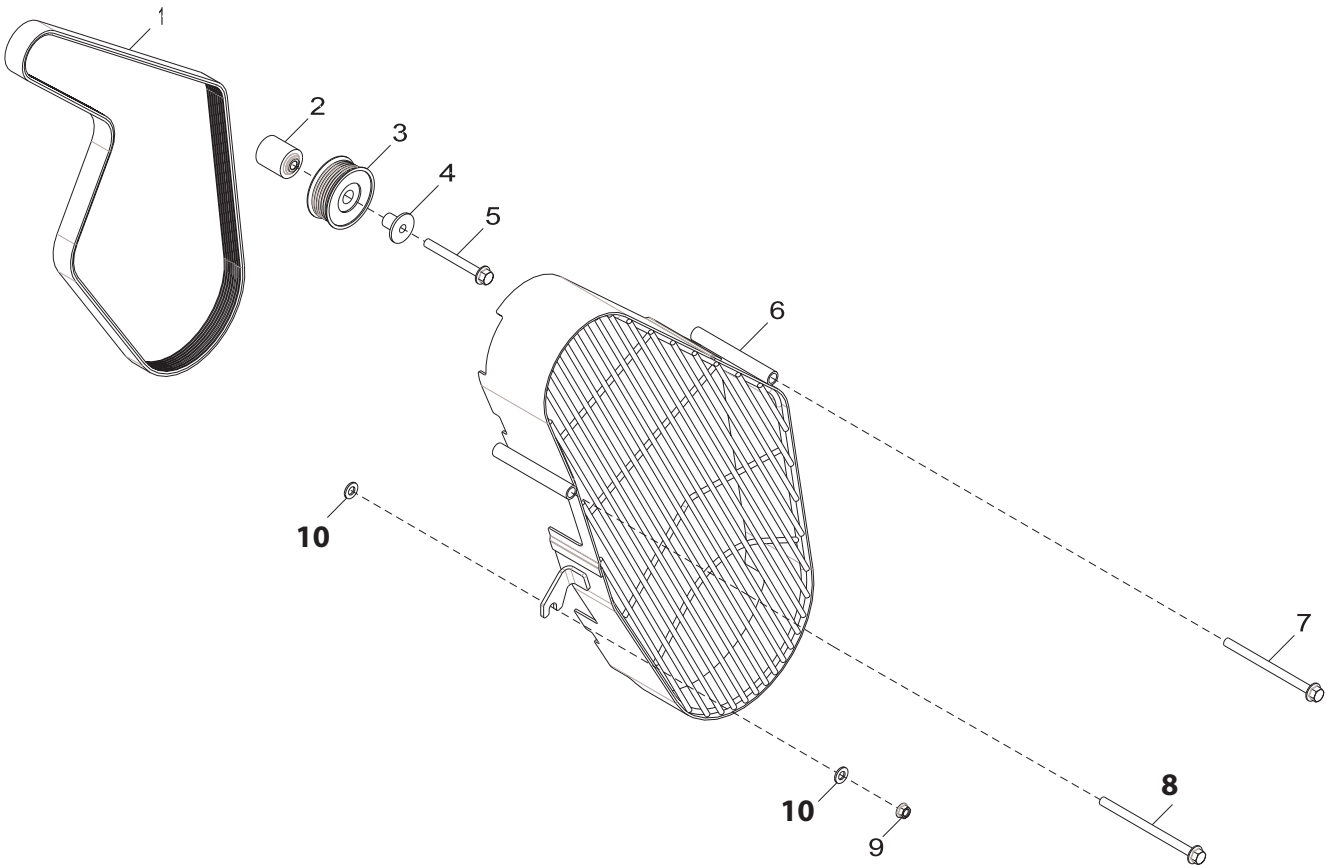
Belt Tensioner



RE59701PCDD02

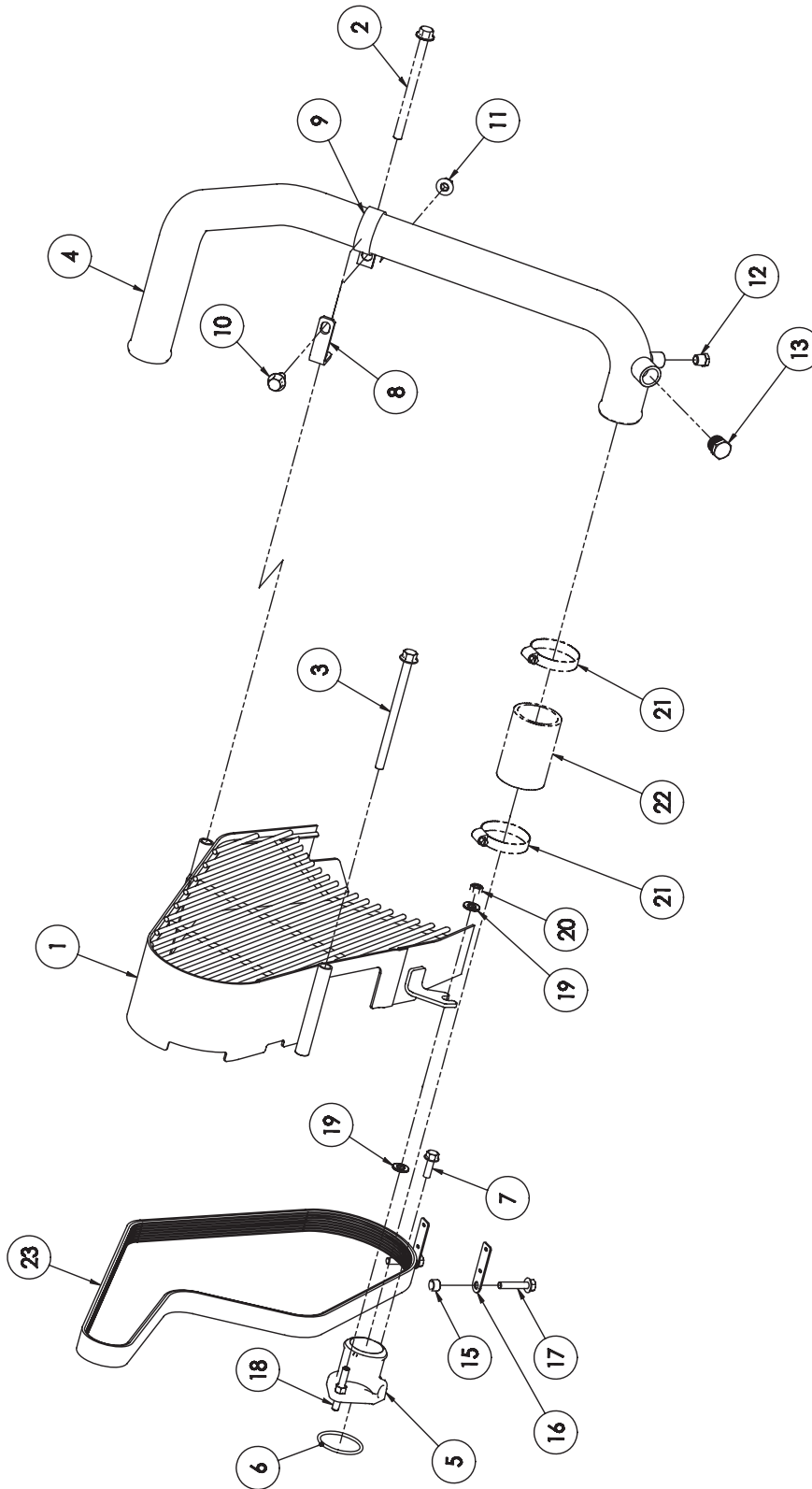
Key	Part No.	Part Name	Qty.	Engine Serial No.	Remarks
1	R518210	Spacer	1		
2	RE518097	Belt Tensioner	1		
3	24M7106	Washer	1		
4	19M8183	Cap Screw	1		M10 X 90mm

Guard Assembly and Drive Belt (without PTO)



Key	Part No.	Part Name	Qty.	Engine Serial No.	Remarks
1	R500277	V-Belt	1		
2	R133643	Spacer	1		
3	AT211041	Pulley	1		
4	R502079	Sleeve	1		
5	19M7811	Screw	1		M10 X 90mm
6	RE551788	Guard	1		
7	19M8896	Screw	1		M10 X 140mm
8	19M7958	Screw	1		M10 X 150mm
9	14M7298	Flange NutM8 x 1.25	1		
10	15-00805	Flat Washer M10	2		

Belt Guard, Medium Frame Alternators with PTO



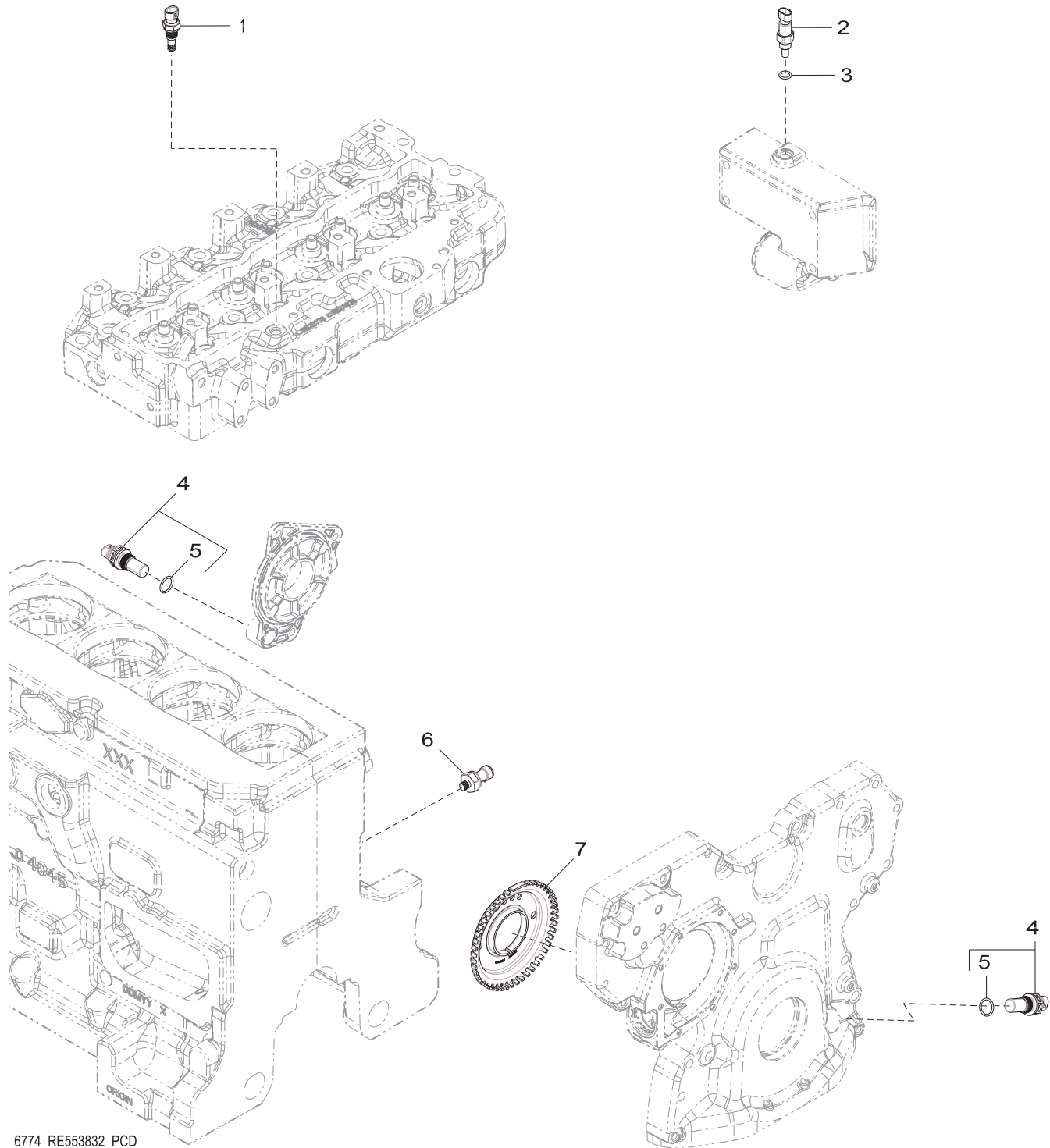
Belt Guard, Medium Frame Alternators with PTO

KEY	PART NUMBER	QTY	DESCRIPTION	SERIAL NUMBER
1	00-09407	1	Belt Guard	-
2	19M8896	1	Capscrew, Hex Head Flanged M10 x 1.5 x 140 mm Grade 10.9	-
3	19M7958	1	Capscrew, Hex Head Flanged M10 x 1.5 x 150 mm Grade 10.9	-
4	27-19521	1	Tube, Coolant Pump Inlet	-
5	R121634	1	Adapter, Coolant Pump Inlet 2" HB	-
6	R89944	1	O-ring	-
7	19M7867	1	Capscrew, Hex Head Flanged M8 x 1.25 x 25 mm Grade 10.9	-
8	23-19512	1	Bracket, Tube Support	-
9	16-60000	1	Adelle Clamp 2-1/16" ID x 1/2" Stud	-
10	19M7784	1	Capscrew, Hex Head Flanged M10 x 1.5 x 20 mm Grade 10.9	-
11	14-80811	1	Hex Nut, Flanged M10 x 1.5 Property Class 10	-
12	21-31624	1	Plug, Hex Head, Brass 1/4 NPT	-
13	21-00530	1	Plug, Hex Head, Brass 1/2 NPT	-
14	19-71030	1	Adelle Clamp 1-1/8"ID x 1/2" Stud	-
15	21-05002	2	Spacer	-
16	23-09511	2	Bracket, Extra Drive Belt Support	-
17	12-80753	1	Capscrew, Hex Head Flanged M8 x 1.25 x 30 mm Grade 10.9	-
18	R501462	1	Stud M8 x 1.25 x 58mm Special	-
19	15-00211	2	Flat Washer 5/16" USS	-
20	14M7298	1	Hex Nut, Flanged M8 x 1.25 Property Class 8	-
21	19-00036	2	Hose Clamp #36 S/S	-
22	R519500	1	Hose 2" ID x 3-1/2"	-
23	R500277	1	Drive Belt, Poly-V 28 mm x 1500 mm *	-
	40-09504	1	Drive Belt, Poly-V 28 mm x 1523 mm **	-

* Used with alternators: 14 Volt 75 Amp &
28 Volt 50 Amp

** Used with alternators: 14 Volt 51 Amp &
28 Volt 35 Amp

Engine Sensors



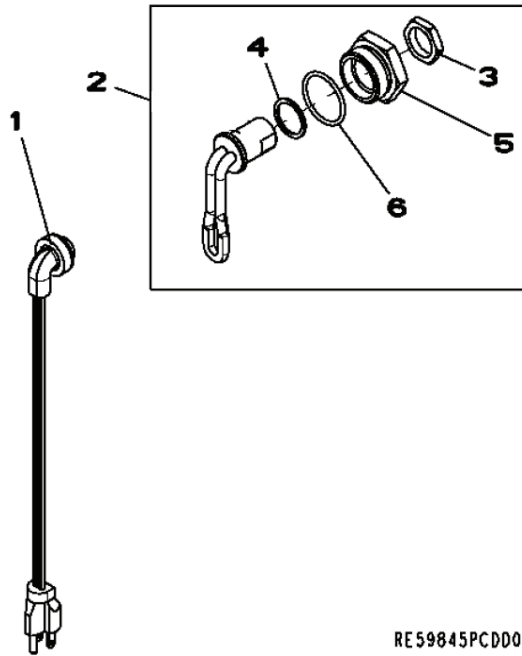
6774_RE553832_PCD

Engine Sensors

Key	Part No.	Part Name	Qty.	Engine Serial No.	Remarks
1	RE525016	Thermocouple	1		(A)
2	RE52722	Temperature Sensor	1		(B)
3	51M7041	O-Ring	1		11.300 X 2.200 mm
4	RE519144	Sensor	2		(C)
5	51M7044	O-Ring	1		17.300 X 2.200 mm
6	RE167207	Sensor	1		(D)
7	R517471	Wheel	1		(E)

- (A) Air Temperature Sensor
 Capteur de température d'air
 Lufttemperatursensor
 Sensore temperatura aria
 Sensor de temperatura de aire
 Lufttemperatursensor
- (B) Coolant Temperature Sensor
 Capteur de température du liquide de refroidissement
 Sensor für Kühlmitteltemperatur
 Sensore temperatura liquido di raffreddamento
 Sensor de temperatura del refrigerante
 Temperatursensor, kylvätska
- (C) Magnetic Pick Up Sensor
 Capteur magnétique
 Sensor mit magnetischem Geber
 Sensore rilevatore magnetico
 Sensor de captador magnético
 Magnetisk pickuppivare
- (D) Crankcase Pressure Sensor
 Capteur de pression de carter d'embellage
 Kurbelgehäuse-Drucksensor
 Sensore pressione basamento
 Sensor de presión del cárter
 Vevhustryckssensor
- (E) Crankshaft Timing Wheel
 Roue codeuse de vilebrequin
 Kurbelwellen-Steuerad
 Ruota di fasatura albero a gomiti
 Rueda de sincronización del cigüeñal
 Vevaxelns transmissionsdrev

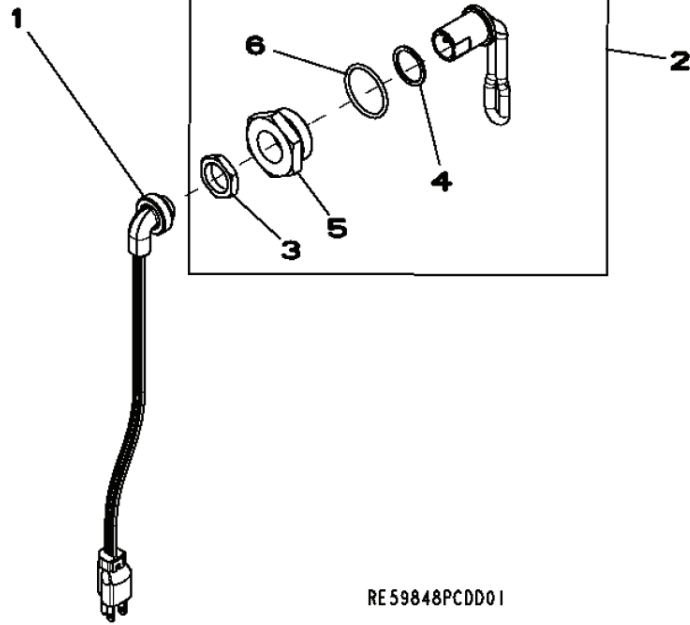
Immersion Block Heater 110 VAC



RE59845PCDD01

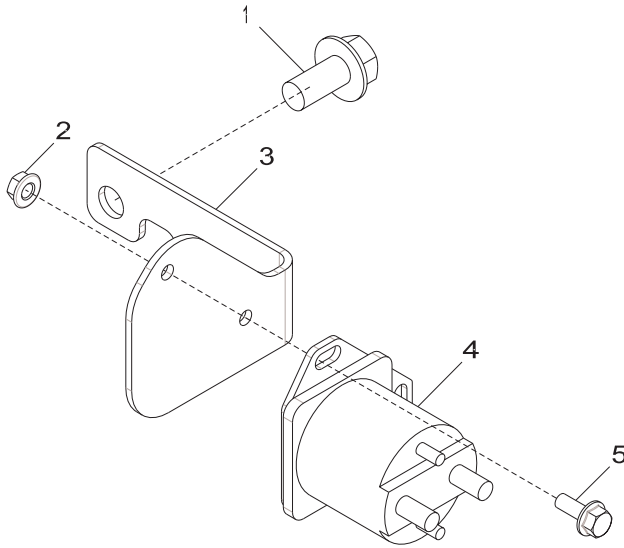
Key	Part No.	Part Name	Qty.	Engine Serial No.	Remarks
1	20-49503	Thermostat & Cable Assembly	1		
2	20-49501	Heater Element 750 Watt	1		
3	RE42139	Heating Element	1		
4	R206883	Washer	1		25.800 X 31.750 X 1.600 mm (1-1/64" X 1-1/4" X 1/16")
5	R54123	Adapter Fitting	1		1-5/8"-12 UN
6	U13639	O-Ring	1		37.465 X 2.997 mm (1.475" X 0.118")

Immersion Block Heater 270 VAC



Key	Part No.	Part Name	Qty.	Engine Serial No.	Remarks
1	20-49504	Thermostat & Cable Assembly	1		
2	RE505888	Heater Element	1		
4	R206883	Washer	1		25.800 X 31.750 X 1.600 mm (1-1/64" X 1-1/4" X 1/16")
5	R54123	Adapter Fitting	1		1-5/8"-12 UN
6	U13639	O-Ring	1		37.465 X 2.997 mm (1.475" X 0.118")

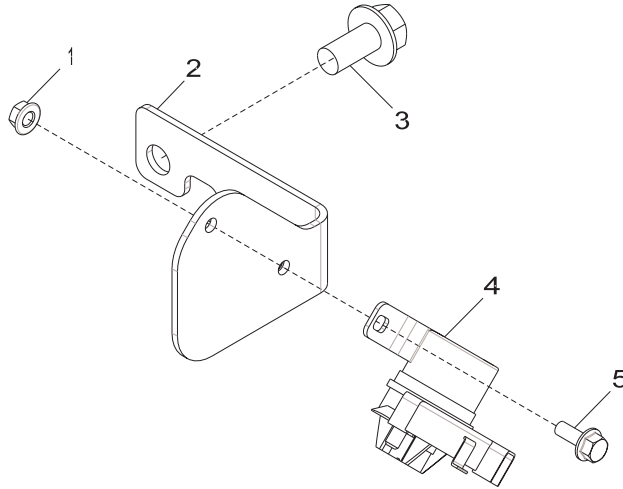
Engine Installation Kit - Starter Relay



917W_RE541570_PCD

Key	Part No.	Part Name	Qty.	Engine Serial No.	Remarks
1	19M7788	Screw	2		M12 X 25
2	14M7303	Flange Nut	2		M6
3	R532134	Bracket	1		
4	AL153172	Relay	1		12V
5	19M7775	Screw	2		M6 X 16

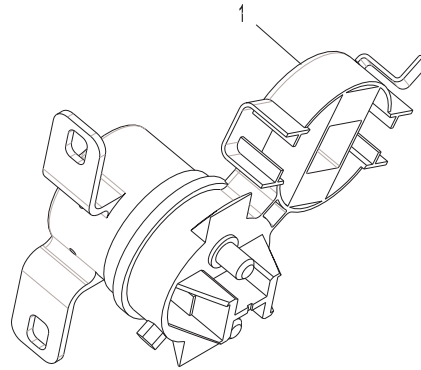
Engine Installation Kit - Starter Relay



917Y_RE541753_PCD

Key	Part No.	Part Name	Qty.	Engine Serial No.	Remarks
1	14M7303	Flange Nut	2	M6	
2	R532134	Bracket	1		
3	19M7788	Screw	2	M12 X 25	
4	AT145341	Relay	1	24V	
5	19M7775	Screw	2	M6 X 16	

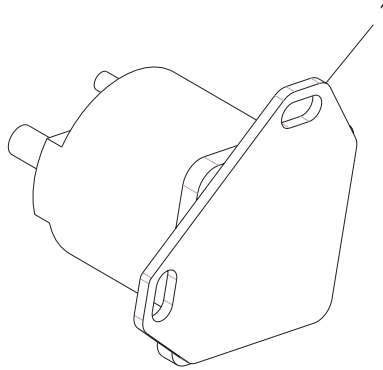
Engine Installation Kit - Starter Relay



917X_RE541752_PCD

<i>Key</i>	<i>Part No.</i>	<i>Part Name</i>	<i>Qty.</i>	<i>Engine Serial No.</i>	<i>Remarks</i>
1	AT145341	Relay	1		

Engine Installation Kit - Starter Relay



917V_RE541569_PCD

Key	Part No.	Part Name	Qty.	Engine Serial No.	Remarks
1	AL153172	Relay	1		

GROUP 6 - GASKETS

Gasket Set, Engine Overhaul M65T13 - M65C13

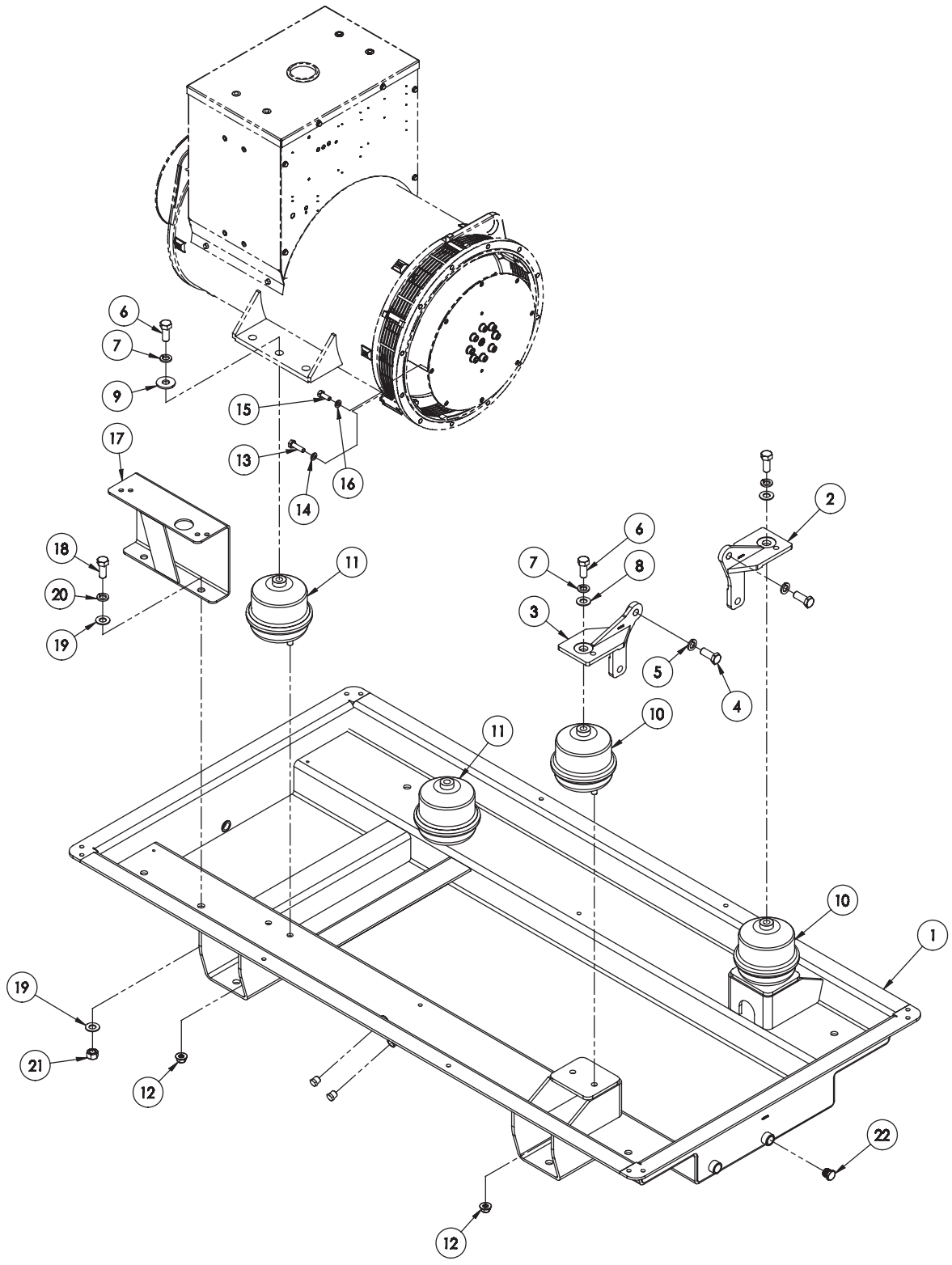
KEY	PART NUMBER	QTY	DESCRIPTION	SERIAL NUMBER
000	11-79501	2	Gasket,Oil Filler & Block-Off Plate Mtg	-
000	16-00012	1	O-Ring 9.3Mmid X 2.2Mm 90 Durometer Nitrile	-
000	16-09501	4	O-Ring 19.3Mmid X 2.2Mm 90 Durometer Nitrile	-
000	16-09503	1	O-Ring 15.3Mmid X 2.2Mm 90 Durometer Nitrile	-
000	16-19503	1	O-Ring 4-1/4"Id X 3/32" Nitrile	-
000	16-72020	2	O-Ring 1.48"Id X 0.12" 90 Durometer Nitrile	-
000	16-95401	1	O-Ring 1-1/2"Id X 1/8" Viton	-
000	51M7042	2	O-Ring 13.3Mmid X 2.2Mm 90 Durometer Nitrile	-
000	51M7044	1	O-Ring 17.3Mmid X 2.2Mm 90 Durometer Nitrile	-
000	F1430r	2	O-Ring	-
000	F2576r	2	O-Ring	-
000	R108612	1	Gasket,Turbocharger Mtg	-
000	R108730	1	Gasket,Thermostat Housing	-
000	R108848	1	Gasket	-
000	R116031	1	O-Ring	-
000	R116515	1	Head Gasket 4045 Powertech 2V	-
000	R123417	1	Gasket,Coolant Pump Mtg	-
000	R123501	1	Gasket	-
000	R26906	1	O-Ring	-
000	R500374	1	Gasket,Oil Filter Adapter Mtg	-
000	R501428	1	Gasket	-
000	R502902	1	Packing	-
000	R504734	1	O-Ring 1-1/2"Id X 1/8"	-
000	R516125	1	O-Ring	-
000	R516647	4	O-Ring	-
000	R521158	1	Turbo Gasket	-
000	R522630	4	Seal	-
000	R522690	1	Gasket	-
000	R523499	4	Washer,Injector Seal	-
000	R524468	1	Gasket,Rocker Cover	-
000	R526944	1	Gasket,Timing Cover 4.5 & 6.8 4V	-
000	R55453	1	O-Ring	-
000	R61467	1	O-Ring	-
000	R61871	1	O-Ring	-
000	R63548	1	O-Ring	-
000	R81275	2	Gasket	-
000	R89944	1	O-Ring	-
000	R97185	1	O-Ring 5/8"Id X 1/8" Nitrile	-
000	RE44574	1	Seal,Rear Crankshaft With Wear Sleeve 4 & 6 Cyl Powertech	-
000	RE538097	1	Seal,Front Crankshaft 4 & 6 Cyl Powertech	-
000	RE552056	1	Turbo Gasket	-
000	T122075	1	O-Ring 1-3/8" X 3/32" Nitrile	-
000	T77613	1	O-Ring	-

Notes

GROUP 8 - FRAMES AND MOUNTING

Steel Base Pan with Hyd Mtg - M65T13 /M360

362 PSL & 363 PSL Generators



Steel Base Pan with Hyd Mtg - M65T13 /M360

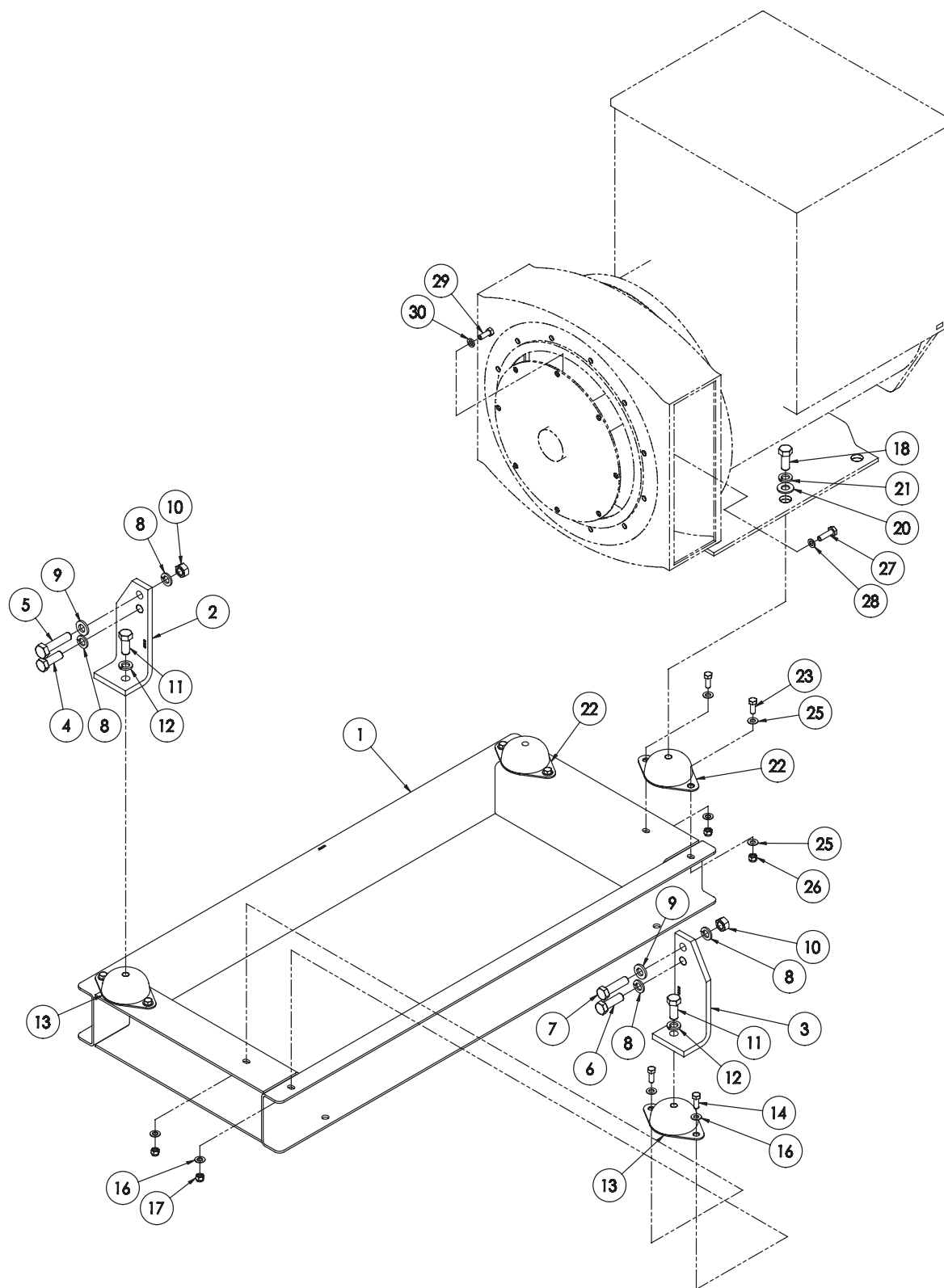
362 PSL & 363 PSL Generators

KEY	PART NUMBER	QTY	DESCRIPTION	SERIAL NUMBER
1	39-89433	1	Base Frame, Steel Hyd Mtg	-
2	23-81002	1	Bracket, Front Engine Mtg, L.H.	-
3	23-81001	1	Bracket, Front Engine Mtg, R.H.	-
4	12-04803	4	Capscrew, Hex Head M16 x 2.0 x 40mm	-
5	15-01000	4	Lock Washer, Helitical M16	-
6	12-00913	4	Capscrew, Hex Head 5/8-11 x 1-1/2"	-
7	15-00902	4	Lock Washer, Helical 5/8"	-
8	15-00901	2	Flat Washer 5/8" USS	-
9	15-01330	2	Flat Washer 5/8" SAE	-
10	33-81012	2	Hydrolastic Mount 400 lbs (with 362 frame generator)	-
	33-81013	2	Hydrolastic Mount 500 lbs (with 363 frame generator)	-
11	33-81013	2	Hydrolastic Mount 500 lbs (with 362 frame generator)	-
	33-81015	2	Hydrolastic Mount 700 lbs (with 363 frame generator)	-
12	14-00502	8	Lock Nut, Plain, Flanged 1/2-13 Grade F Plated	-
13	12-00814	12	Capscrew, Hex Head M10 x 1.5 x 35mm	-
14	15-00802	12	Lock Washer Helitical M10 Din Code 127-B	-
15	12-00332	8	Capscrew, Hex Head 3/8-16 x 1" Grade 8 Plated	-
16	15-00307	8	Flat Washer 3/8" / M10 Hardened	-
17	23-79608	1	Bracket, DC J-Box Mounting	-
18	12-00913	2	Capscrew, Hex Head 5/8-11 x 1-1/2"	-
19	15-01330	4	Flat Washer, 5/8" SAE	-
20	15-00902	2	Lock Washer, Helical 5/8"	-
21	14-00911	2	Hex Nut 5/8-11	-
22	21-00530	2	Plug, Hex Head, Brs. 1/2NPT	-

GROUP 8 - FRAMES AND MOUNTING

Steel Base Frame "TTB" Style Mounts M65C13

UCI 224 & UCI 274 Generators



D-4697

Steel Base Frame "TTB" Style Mounts M65C13

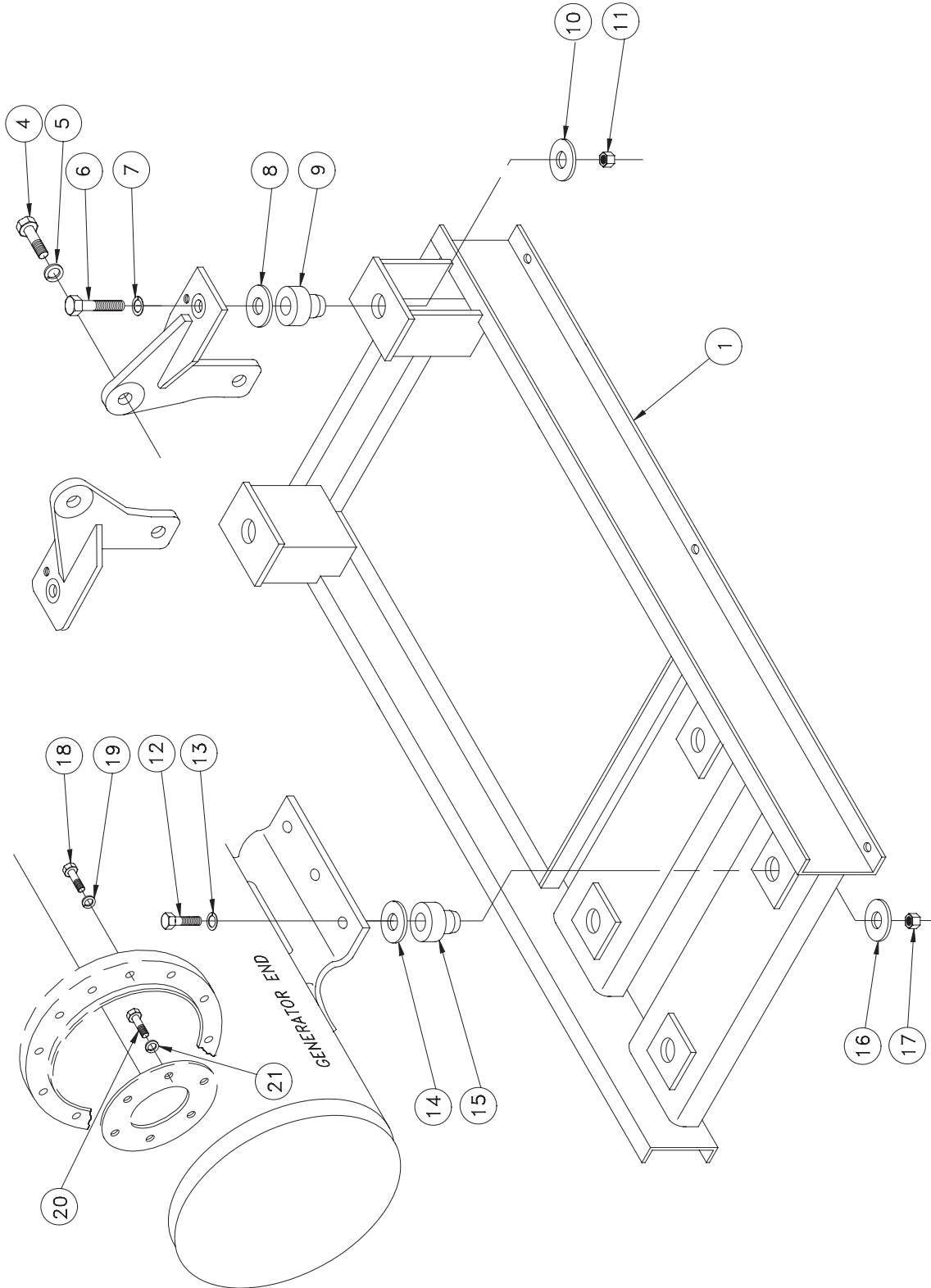
UCI 224 & UCI 274 Generators

KEY	PART NUMBER	QTY	DESCRIPTION	SERIAL NUMBER
1	39-89429	1	Base Frame, Steel UCI 224	-
	39-89427	1	Base Frame, Steel UCI 274	-
2	23-89417	1	Bracket, Front Engine Mount R.H.	-
3	23-89418	1	Bracket, Front Engine Mount L.H.	-
4	12-01508	1	Capscrew, Hex Head M16 x 2.0 x 45mm	-
5	12-01512	1	Capscrew, Hex Head M16 x 2.0 x 70mm	-
6	12-01503	1	Capscrew, Hex Head M16 x 2.0 x 50mm	-
7	12-01504	1	Capscrew, Hex Head M16 x 2.0 x 60mm	-
8	15-01000	4	Lock Washer, Helical M16	-
9	01643-31645	2	Flat Washer M16 Hardened	-
10	14-01432	2	Hex Nit M16 x 2.0	-
11	12-00913	2	Capscrew, Hex Head 5/8-11 x 1-1/2"	-
12	15-00802	2	Lock Washer, Helical 5/8"	-
13	22-81020	2	Flex Mount, Captive, Neoprene 250-500 lbs, UCI 1224	-
	22-70121	2	Flex Mount, Capive, Neoprene 500-750 lbs, UCI 274	-
14	12-00312	4	Capscrew, Hex Head 3/8-16 x 1"	-
16	15-00301	8	Flat Washer, 3/8" USS Zink Plated	-
17	14-00312	4	Hex Nut, Nylock 5/8"	-
18	12-00913	2	Capscrew, Hex Head 5/8-11 x 1-1/2"	-
19	15-04803	2	Lock Washer, Hi-Collar M16	-
20	15-00903	2	Flat Washer 5/8" SAE Hardened	-
21	15-00902	2	Lock Washer, Helical 5/8"	-
22	33-81021	2	Flex Mount, Captive Neoprene 500-750lbs UCI 224 & UCI 274	-
23	12-00312	4	Capscrew, Hex Head 3/8-16 x 1"	-
25	15-00301	8	Flat Washer 3/8" USS Zink Plated	-
26	14-00312	4	Hex Nut, Nylock 3/8-16	-
27	12-00814	12	Capscrew, Hex Head M10 x 1.5 x 35mm	-
28	15-00802	12	Lock Washer, Helical M10	-
29	12-00332	8	Capscrew, Hex Head 3/8 - 16 x 1"	-
30	15-00307	8	Flat Washer, Hardened	-

GROUP 8 - FRAMES AND MOUNTING

Steel Base Frame Assembly - Units with PTO

UCI 224 Generator



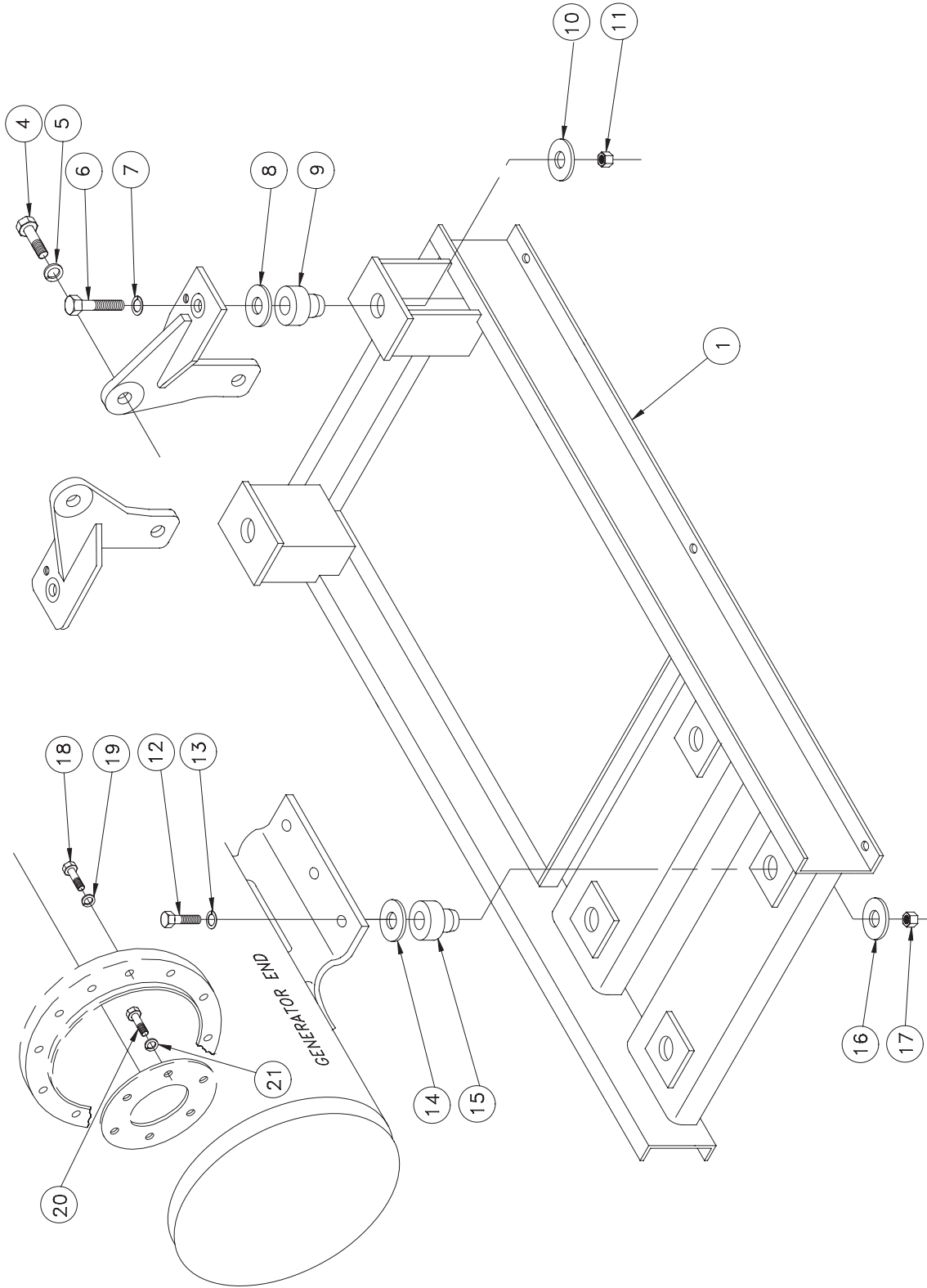
920 Steel Base Frame Assembly - Units with PTO***UCI 224 Generator**

KEY	PART NUMBER	QTY	DESCRIPTION	SERIAL NUMBER
1	39-81013	1	Base Frame, Steel C-Series 4 Cyl UCI224	-
	39-81044	1	Base Frame, Aluminum	-
4	12-45001	4	Capscrew, 12 Point M16 x 2.0 x 40mm	-
5	15-04803	4	Lock Washer, Hi-Collar M16	-
6	12-00550	2	Capscrew, Hex Head 1/2 - 13 x 3"	-
7	15-00512	2	Flat Washer 1/2" USS Hardened	-
8	15-00016	2	Head Washer	-
9	33-81054	2	Mount, Centerbonded 400 lbs	-
10	15-00026	2	Tail Washer	-
11	14-00512	2	Hex Nut, Nylock 1/2 - 13 x 3"	-
12	12-00500	4	Capscrew, Hex Head 1/2-13	-
13	15-00512	4	Flat Washer 1/2" USS Hardened	-
14	15-00016	4	Head Washer	-
15	33-81054	4	Mount, Centerbonded 400 Lbs	-
16	15-00026	4	Tail Washer	-
17	14-00512	4	Hex Nut, Nylock 1/2-13	-
18	12-00814	12	Capscrew, Hex Head M10 x 1.5 x 35 mm	-
19	15-00802	12	Lock Washer, Helitical M10	-
20	12-00332	8	Capscrew, Hex Head 3/8-16 x 1" Grade 8	-
21	15-00307	8	Flat washer 3/8" / M10 Hardened	-
22	15-00510	6	Lock Washer, Hi-Collar 1/2"	-
<p>* Frames may also be provided on request without PTO option. Verification can be confirmed by unit serial number.</p>				

GROUP 8 - FRAMES AND MOUNTING

Steel Base Frame Assembly - Units with PTO

UCI 274 Generator



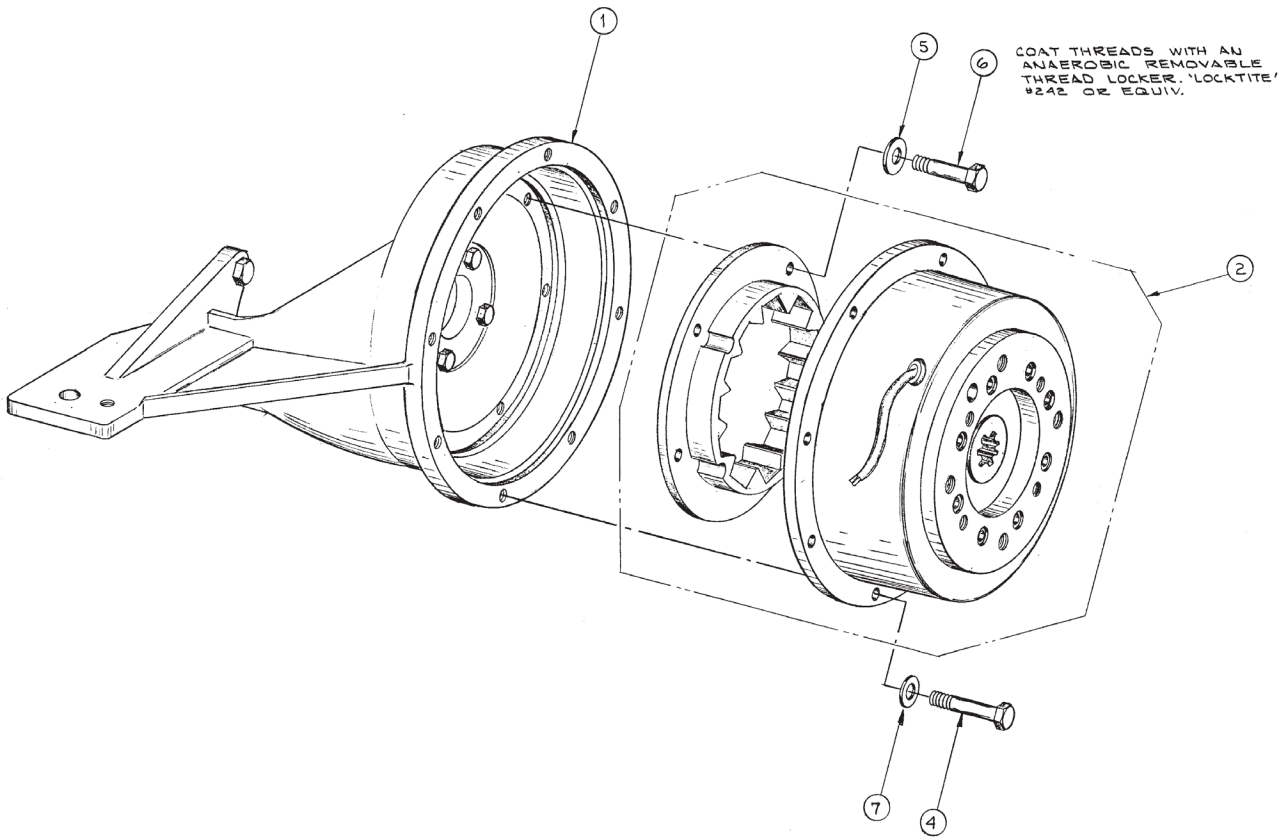
920 Steel Base Frame Assembly - Units with PTO

UCI 274 Generator

KEY	PART NUMBER	QTY	DESCRIPTION	SERIAL NUMBER
1	39-89424	1	Base Frame, Steel C-Series 4 Cyl UCI224	-
4	12-45001	4	Capscrew, 12 Point M16 x 2.0 x 40mm	-
5	15-04803	4	Lock Washer, Hi-Collar M16	-
6	12-00034	2	Capscrew, Hex Head 5/8-11 x 3-1/2"	-
7	15-00903	2	Flat Washer 5/8" USS Hardened	-
8	15-00015	2	Head Washer	-
9	33-81008	2	Mount, Centerbonded 650 lbs	-
10	15-00025	2	Tail Washer	-
11	14-00912	2	Hex Nut, Nylock 5/8 - 11	-
12	12-00034	4	Capscrew, Hex Head 5/8 - 11 x 3-1/2"	-
13	15-01330	4	Flat Washer 5/8" SAE	-
14	15-00015	4	Head Washer	-
15	33-81002	4	Mount, Centerbonded 500 Lbs	-
16	15-00025	4	Tail Washer	-
17	14-00912	4	Hex Nut, Nylock 5/8-11	-
18	12-00814	12	Capscrew, Hex Head M10 x 1.5 x 35 mm	-
19	15-00802	12	Lock Washer, Helitical M10	-
20	12-00332	8	Capscrew, Hex Head 3/8-16 x 1" Grade 8	-
21	15-00307	8	Flat washer 3/8" / M10 Hardened	-

GROUP 9 - ACCESSORIES & OPTIONAL EQUIPMENT

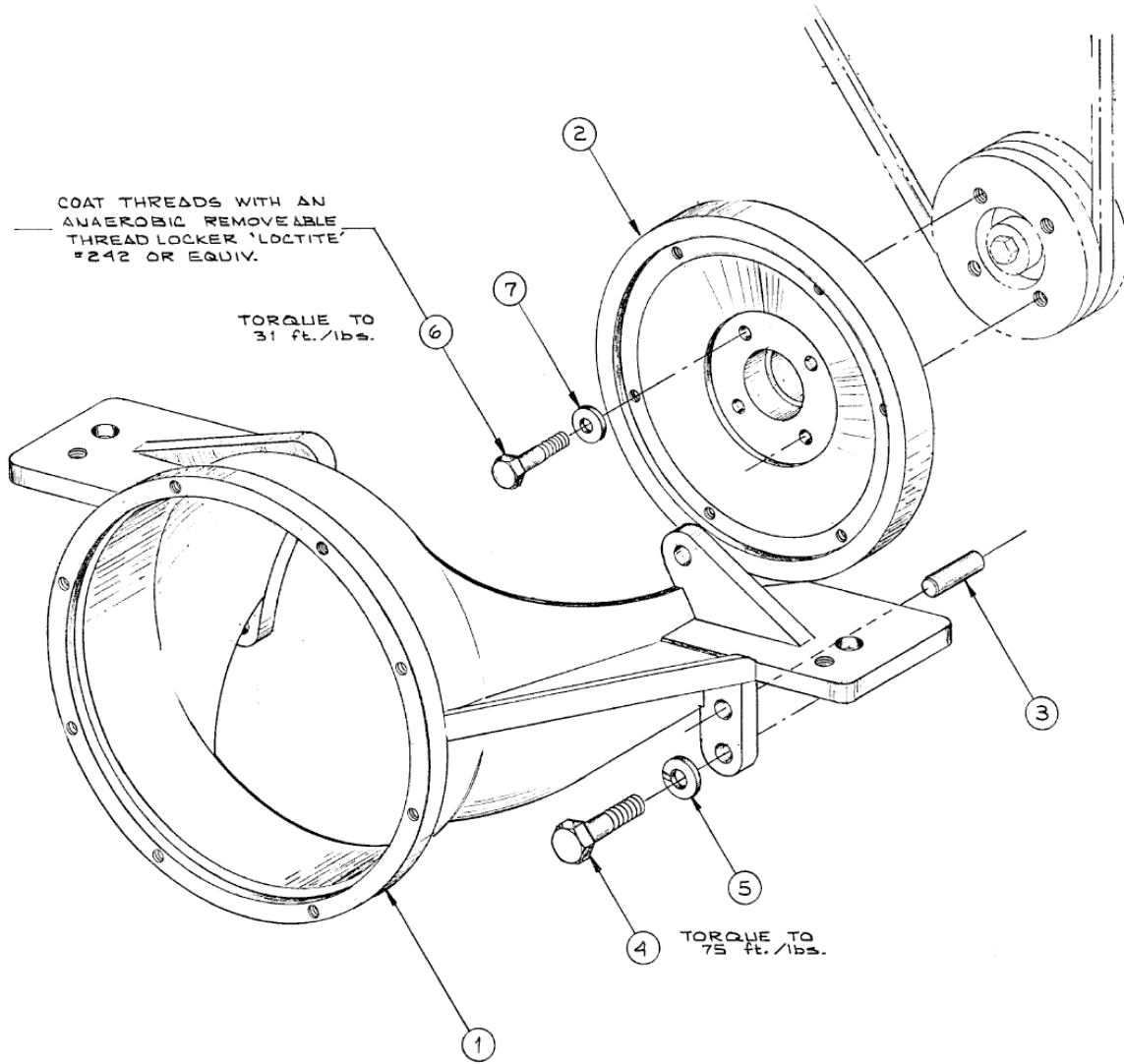
PTO/Electric Clutch 700 Lbs FT MMC C-Spline 24V



PTO/Electric Clutch 700 Lbs FT MMC C-Spline 24V

KEY	PART NUMBER	QTY	DESCRIPTION	SERIAL NUMBER
1	31-69405	1	PTO Adapter Parts SAE #5/#8 (See Parts Detail)*	-
2	34-69545	1	Electric Clutch 700 lbs FT MMC-100 C-Spline 24V (See Parts Detail)*	-
	34-61615	1	Electric Clutch 700 lbs Foot H-44 C-Spline 12 Volt (See Parts Detail)*	-
	34-61625	1	Electric Clutch 700 lbs Foot H-44 C-Spline 24 Volt (See Parts Detail)*	-
4	12-20313	8	Capscrew, Skt Hd 3/8-16 x 1-1/4" Zinc Plated ASTM A574	-
5	15-00321	6	Flat WAsher 3/8" SAE Zinc Plated ANSI Type A (Narrow)	-
6	12-00312	6	Capscrew, Hex Head 3/8-16 x 1"	-
7	15-00307	8	Flat Washer, 3/8" / M10 Hardened	-

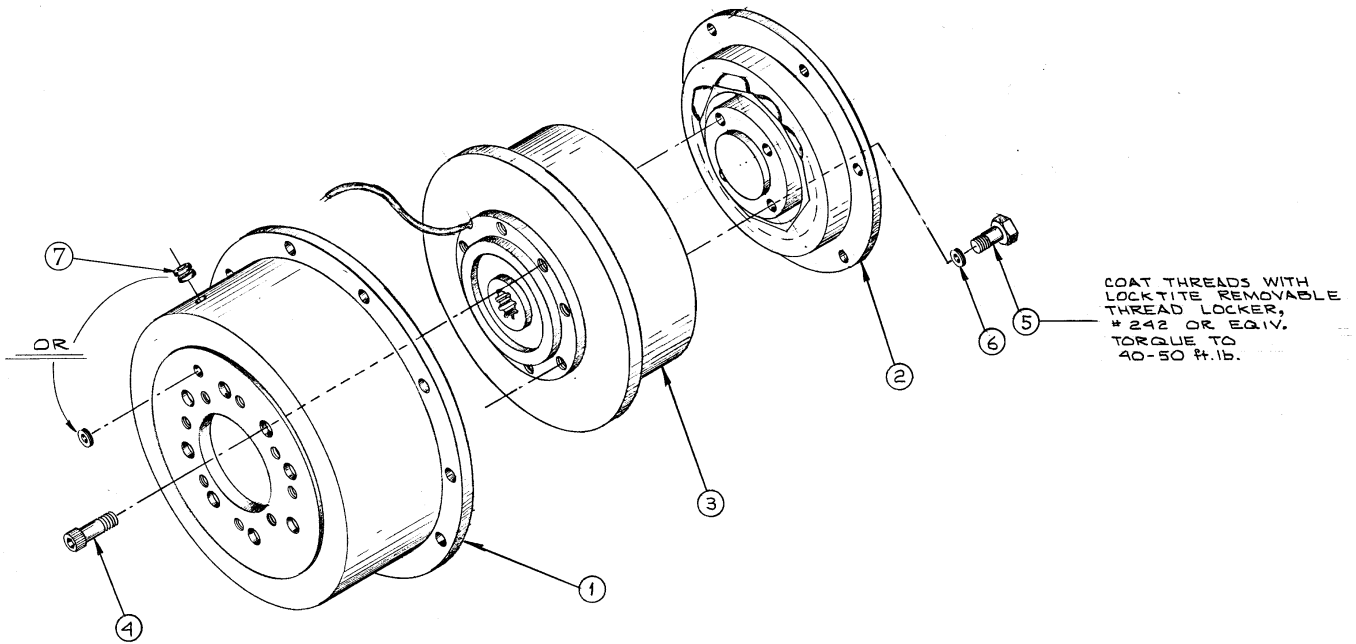
PTO Adapter Parts SAE#5/#8



PTO Adapter Parts SAE#5/#8

KEY	PART NUMBER	QTY	DESCRIPTION	SERIAL NUMBER
1	23-71001	1	Bracket, Front PTO MTG SAE#5	-
2	34-69401	1	PTO Carrier SAE#8	-
3	32-81001	2	Dowel Pin 5/8"OD x 1-1/2"	-
4	12-45001	4	Capscrew, 12 Point M16 x 2.0 x 40mm *	-
5	15-04803	4	Lock Washer, Hi-Collar M16*	-
6	19M8162	6	Capscrew, Hex Head Flanged M10 x 1.5 x 40mm	-
			* Formerly Hex Head Capscrews - Changed due to revised bracket 23-71001	

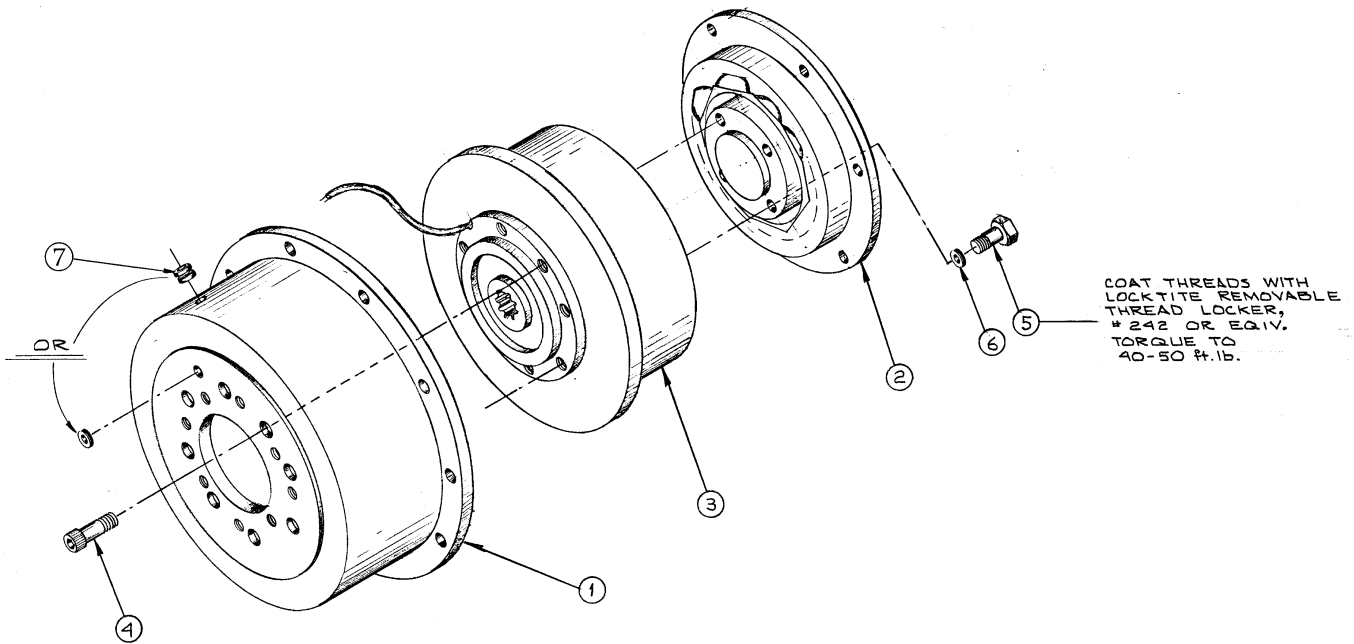
Electric Clutch 700 Lbs MMC-100 C-spline 24 Volt



Electric Clutch 700 Lbs MMC-100 C-spline 24 Volt

KEY	PART NUMBER	QTY	DESCRIPTION	SERIAL NUMBER
1	10-60016	1	Housing, Electric Clutch	-
2	34-69517	1	Rubber Block Drive Assembly	-
3	34-60098	1	Electric Clutch Assembly	-
4	12-00035	8	Capscrew, Hex Head 3/8-16 x 1-1/4"	-
5	12-50413	4	Capscrew, Hex Head 7/16-20 x 1"	-
6	15-00404	4	Flat Washer 7/16" SAE	-
7	00-61003	1	Grommet	-
8	00-40025	1	Plug (not shown)	-

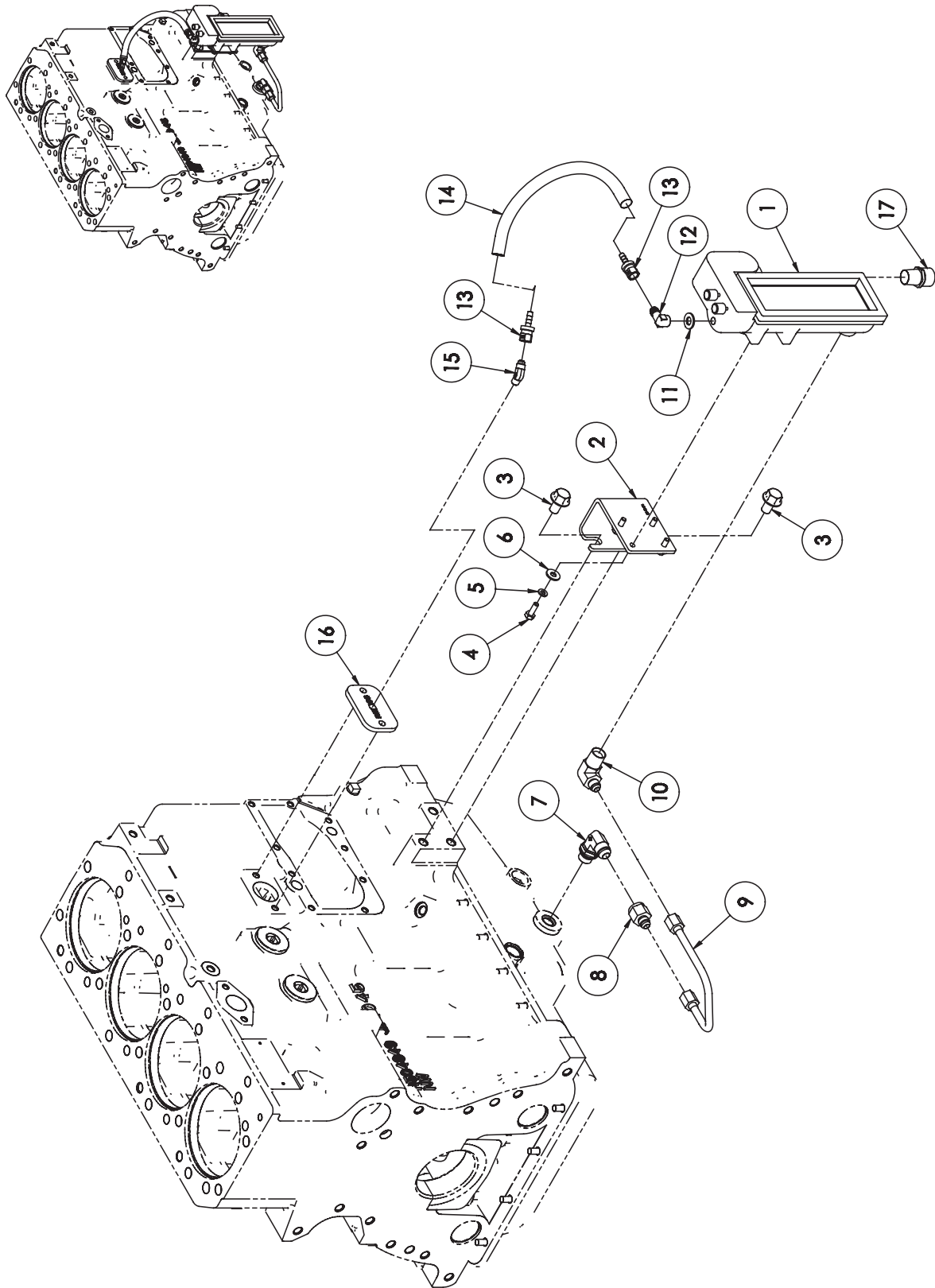
Electric Clutch H-44 C-spline 12 & 24 Volt



Electric Clutch H-44 C-spline 12 & 24 Volt

KEY	PART NUMBER	QTY	DESCRIPTION	SERIAL NUMBER
1	10-60003	1	Housing, Electric Clutch	-
2	34-69512	1	Rubber Block Drive Assembly	-
3	34-60036	1	Electric Clutch Assembly 12 Volt	-
	34-60037	1	Electric Clutch Assembly 24 Volt	-
4	12-00035	8	Capscrew, Hex Head 3/8-16 x 1-3/4"	-
5	12-60001	4	Capscrew, Hex Head 7/16-20 x 1"	-
6	15-00404	4	Flat Washer 7/16" SAE	-
7	00-61003	1	Grommet	-
8	00-40025	1	Plug (not shown)	-

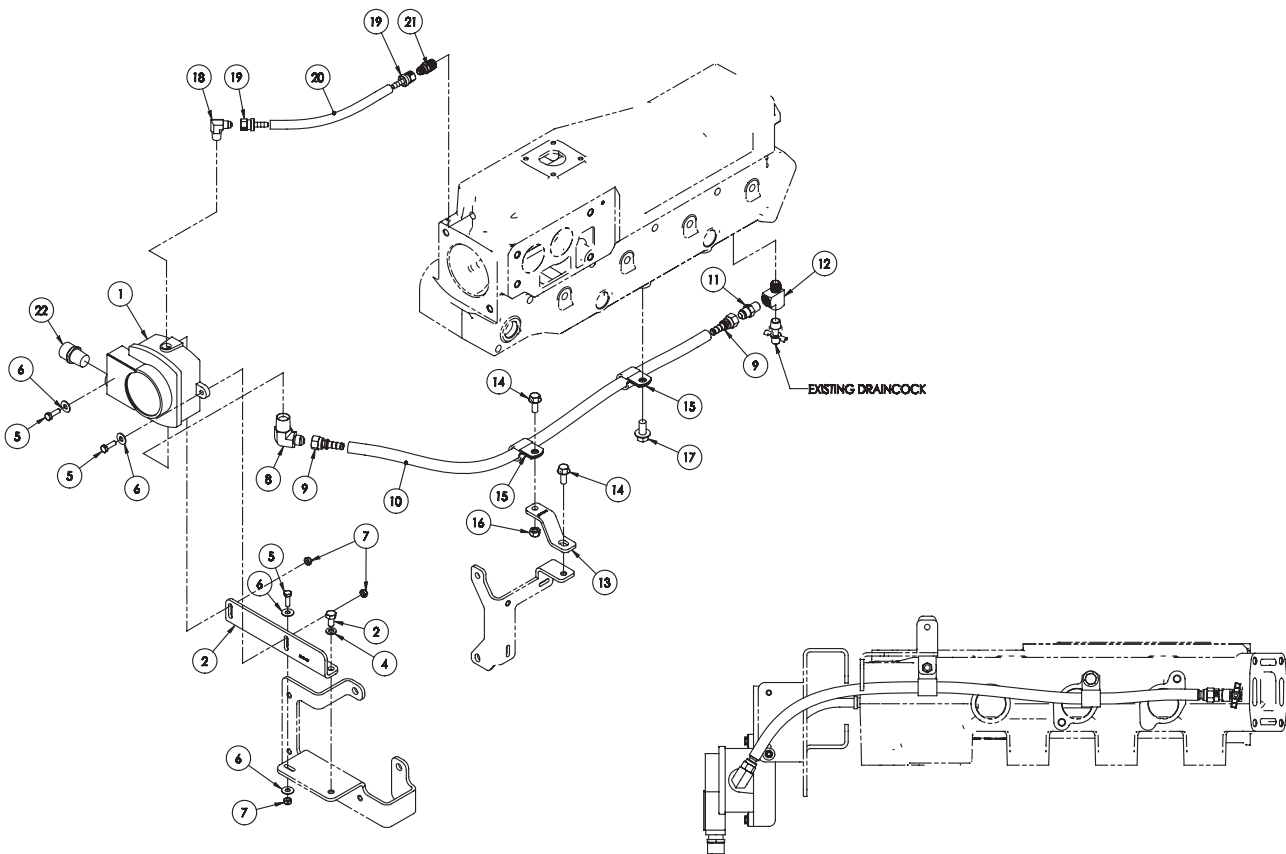
Low Oil Level Switch / Gauge ISO Ground Right Hand



Low Oil Level Switch / Gauge ISO Ground Right Hand

KEY	PART NUMBER	QTY	DESCRIPTION	SERIAL NUMBER
1	22-10004	1	Oil Level Switch/Gauge,Iso Ground	-
2	23-79404	1	Bracket	-
3	19M7787	2	Capscrew, Hex Head Flanged M12x1.75 X 20Mm Grade 10.9 *	-
4	12-00111	4	Capscrew, Hex Head 1/4-20 X 3/4"	-
5	15-00102	4	Lock Washer,Helical 1/4	-
6	15-00111	4	Flat Washer 1/4" USS	-
7	21-70022	1	Male Elbow 90,Stl. M18x1.5 X 1/2-37T	-
8	21-64917	1	Tube Reducer,Stl. 1/2-37T X 3/8-37T	-
9	27-09407	1	Tube Assembly	-
10	21-70011	1	Male Elbow 90,Stl. 1/2Npt X 3/8-37T	-
11	15-09805	1	Flat Washer M10 S/S (316)	-
12	21-92200	1	Female Elbow 90,Brs. 1/8Npt X 1/4-45T	-
13	21-71045	2	Female Swivel,Brs. 1/4Hb X 1/4-45T	-
14	41-01011	11	Hose 1/4"Id	-
15	21-54801	1	Male Elbow 45,Brs. 1/8Npt X 1/4-45T	-
16	28-71002	1	Plate	-
17	00-40016	1	Strain Relief Connection	-

Low Coolant Level Switch/ Gauge Isolated Ground

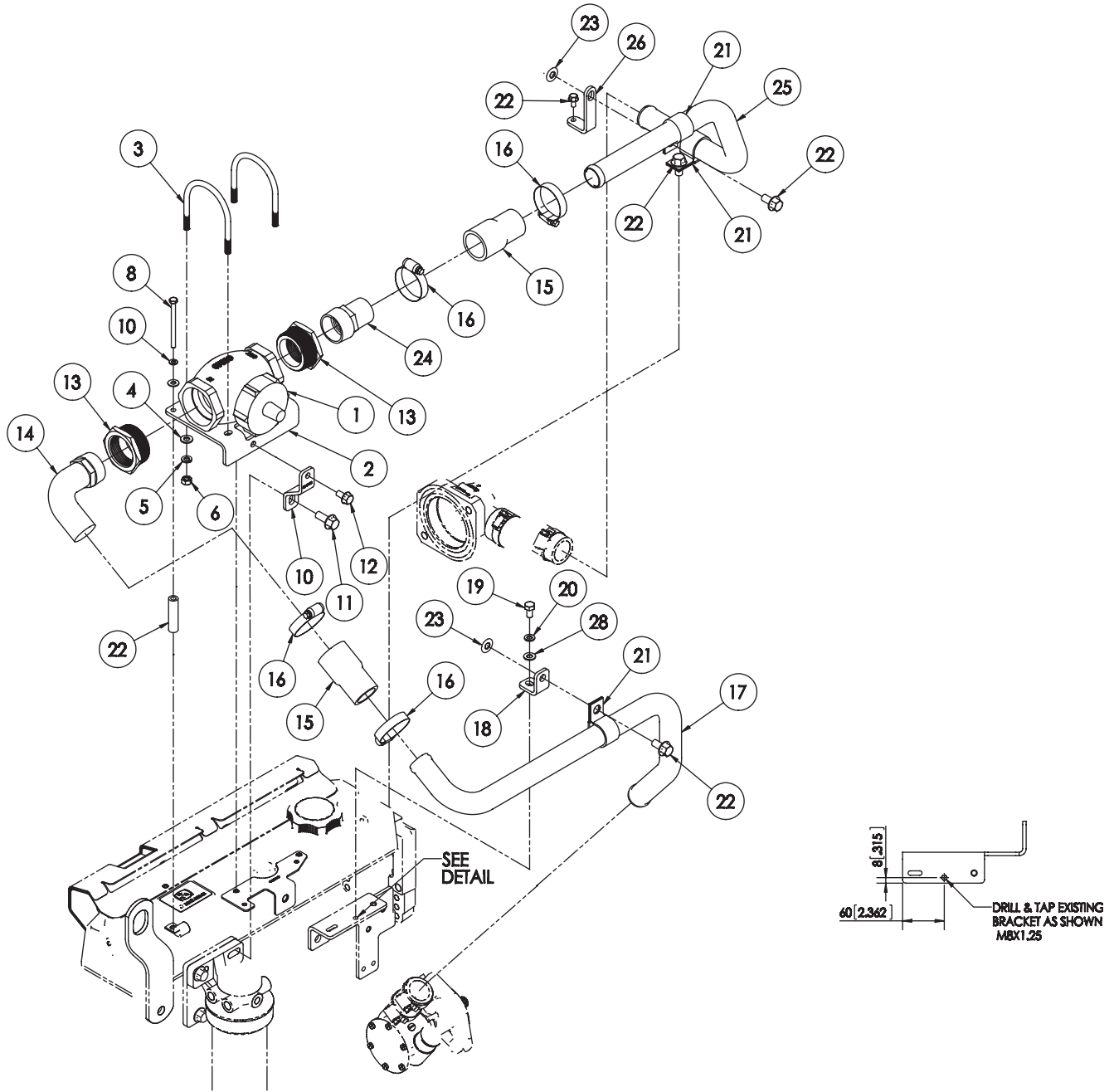


Low Coolant Level Switch/ Guage Isolated Ground

KEY	PART NUMBER	QTY	DESCRIPTION	SERIAL NUMBER
1	22-10003	1	Coolant level switch/guage, Isolated ground	-
2	23-19461	1	Bracket	-
3	12-19751	2	Capscrew, hex head M8 x 1.25 x 16mm S/S	-
4	15-00705	1	Lock washer, helical M8 S/S	-
5	12-09131	3	Capscrew, hex head M6 x 1.0 x 20 mm S/S	-
6	15-00101	4	Flat washer 1/4" USS S/S	-
7	14-01133	3	Hex nut, nylock M6 x 1.0 S/S	-
8	21-70011	1	Male elbow, 90, steel 1/2NPT x 3/8-37T	-
9	21-71034	2	Female swivel, brass 3/8HB x 3/8-37T	-
10	41-01020	1	Hose 3/8" ID	-
11	21-00612	1	Male connector, steel 1/4 NPT x 3/8-37T	-
12	21-52207	1	Street tee, brass 1/4 NPT	-
13	23-19412	1	Bracket	-
14	19M7866	2	Capscrew, hex head flanged M8 x 1.25 x 20mm	-
15	19-41900	2	Adelle clamp 3/4" ID x 3/8"	-
16	14-04802	1	Hex nut, nylock M8 x 1.25	-
17	19M7784	1	Capscrew, hex head flanged M10 x 1.5 x 20mm	-
18	21-71044	1	Male elbow 90, brass 1/4NPT x 1/4-45T	-
19	21-71045	2	Female swivel, brass 1/4 HB 1/4-45T	-
20	41-01011	1	Hose 1/4 ID	-
21	21-52208	1	Male connector brass 1/4 NPT x 1/4-45T	-
22	00-40016	1	Strain relief connection	-
23	23-19462	4	Adapter	-

GROUP 9 - ACCESSORIES & OPTIONAL EQUIPMENT

2" Raw Water Flow Switch H.E. *



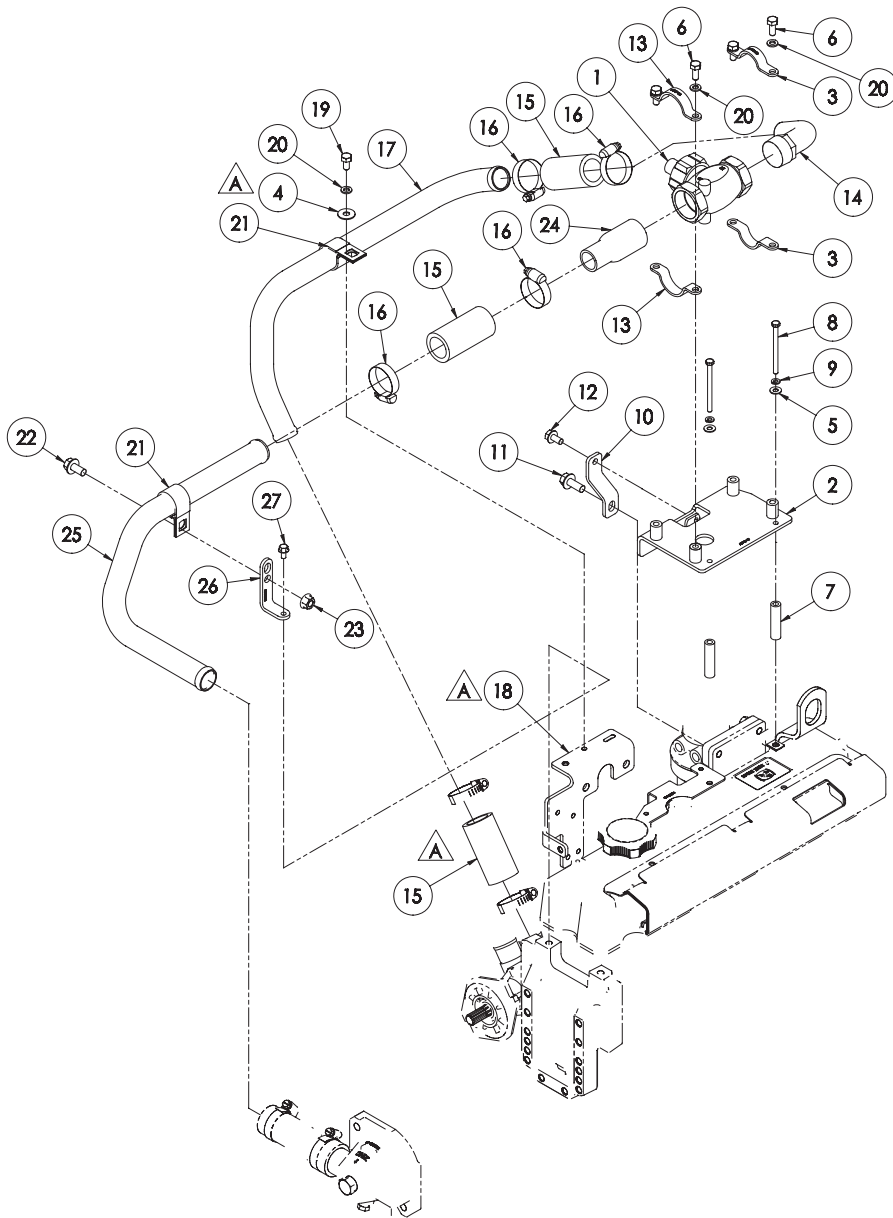
C-7129A

2" Raw Water Flow Switch H.E. *

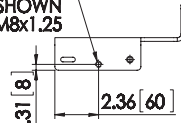
KEY	PART NUMBER	QTY	DESCRIPTION	SERIAL NUMBER
1	37-15001	1	Flow switch, bronze 15 GPM 2"NPT	-
2	23-19416	1	Bracket 2"	-
3	19-15001	2	U-bolt clamp 3"ID x 5/16"-18 S/S	-
6	14-00213	4	Hex nut 5/16-18	-
7	21-19402	2	Spacer	-
8	12-01127	2	Capscrew, hex head M6 x 1.0 x 80mm	-
9	15-01132	4	Lock washer, helical M6	-
10	23-19412	1	Bracket	-
11	19M7785	1	Capscrew, hex head flanged M10 x 1.5 x 25mm	-
12	19M7865	1	Capscrew, hex head flanged M8 x 1.25 x 16mm	-
13	21-00076	2	Bushing, brass 2"NPT x 1-1/2NPT	-
14	21-15036	1	Male elbow, 90, bronze 1-1/2"NPT x 1-1/2"HB	-
15	R530044	2	Hose 1-1/2"ID x 1-1/4 x 3-1/4" LOA	-
16	19-00028	4	Hose clamp #28 S/S	-
17	27-19409	1	Tube, flow switch inlet	-
18	23-19414	1	Bracket, tube support	-
19	12-00752	1	Capscrew, hex head M8 x 1.25 x 12mm	-
20	15-00702	1	Lock washer, helical M8	-
21	19-71031	3	Adelle clamp 1-1/4ID x 1/2" stud	-
22	19M7784	1	Capscrew, hex head flanged M10 x 1.5 x 20mm	-
23	14-80811	2	Hex nut, flanged M10 x 1.5 x 20mm	-
24	21-15035	1	Male connector bronze 1-1/2"NPT x 1-1/2"HB	-
25	27-19410	1	Tube, flow switch outlet S/S	-
26	23-19413	1	Bracket, tube support	-
27	19M7774	1	Capscrew, hex head flanged M6 x 1.0 x 12mm	-
28	15-00701	1	Flat washer M8	-
29	23-09404	1	Bracket	-
			* Supplied on unit serial numbers: 0642-51096 & 0642-51097 <u>Only</u>	

GROUP 9 - ACCESSORIES & OPTIONAL EQUIPMENT

10GPM Raw Water Flow Switch - Heat Exchanged Units - M65T13 & M65C13



DRILL & TAP EXISTING
BRACKET AS SHOWN
M8x1.25



10GPM Raw Water Flow Switch - Heat Exchanged Units - M65T13 & M65C13

KEY	PART NUMBER	QTY	DESCRIPTION	SERIAL NUMBER
1	37-11004	1	Flow Switch, Bronze 10 GPM 1-1/4NPT	-
2	23-19517	1	Bracket, 1-1/4" Flow Switch Mount	-
3	19-11616	2	Pipe Clamp 1"	-
4	15-70004	1	Snubbing Washer S/S	-
5	15-00121	2	Flat Washer 1/4" SAE	-
6	12-00711	4	Capscrew, Hex Head M8 x 1.25 x 20mm	-
7	21-19402	2	Spacer	-
8	12-01127	2	Capscrew, Hex Head M6 x 1.0 x 80mm Grade 8.8	-
9	15-01132	2	Lock Washer, Helical M6	-
10	23-19412	1	Bracket	-
11	19M7785	1	Capscrew, Hex Head Flanged M10 x 1.5 x 25mm Grade 10.9	-
12	19M7865	1	Capscrew, Hex Head Flanged M10 x 1.5 x 16mm Grade 10.9	-
13	19-12016	2	Pipe Clamp 1-1/4"	-
14	21-15038	1	Male Elbow, 90, Bronze 1-1/4NPT x 1-184" HB	-
15	18-19501	3	Hose 1-1/4" ID x 3-1/2" 3 Ply Silicone	-
16	19-01020	4	Hose Clamp #20 Extended Band S/S	-
17	27-19413	1	Tube, FLOW Switch Inlet S/S	-
18	23-09404	1	Bracket, Wire Harness / Tube Support	-
19	12-00751	1	Capscrew, Hex Head M8 x 1.25 x 16 mm	-
20	15-00702	5	Lock Washer, Helical M8	-
21	19-71031	2	Adelle Clamp 1-1/4" ID x 1/2" STUD	-
22	19M7784	2	Capscrew, Hex Head M8 x 1.25 x 16 mm	-
23	14-80811	2	Hex Nut, Flanged M10 x 1.5 Property Class 10	-
24	21-15017	1	Male Connector, Brass 1-1/4NPT x 1-1/4" HB	-
25	17-19414	1	Tube, Flow Switch Outlet S/S (316L)	-
26	23-19413	1	Bracket, Tube Support	-



4420 14th Ave. NW., Seattle WA 98107

Tel: (206) 789-3880 • 1-800-762-0165 • www.northern-lights.com

Northern Lights and Lugger are registered trademarks of Northern Lights, Inc.

© 2015 All rights reserved. Litho USA.