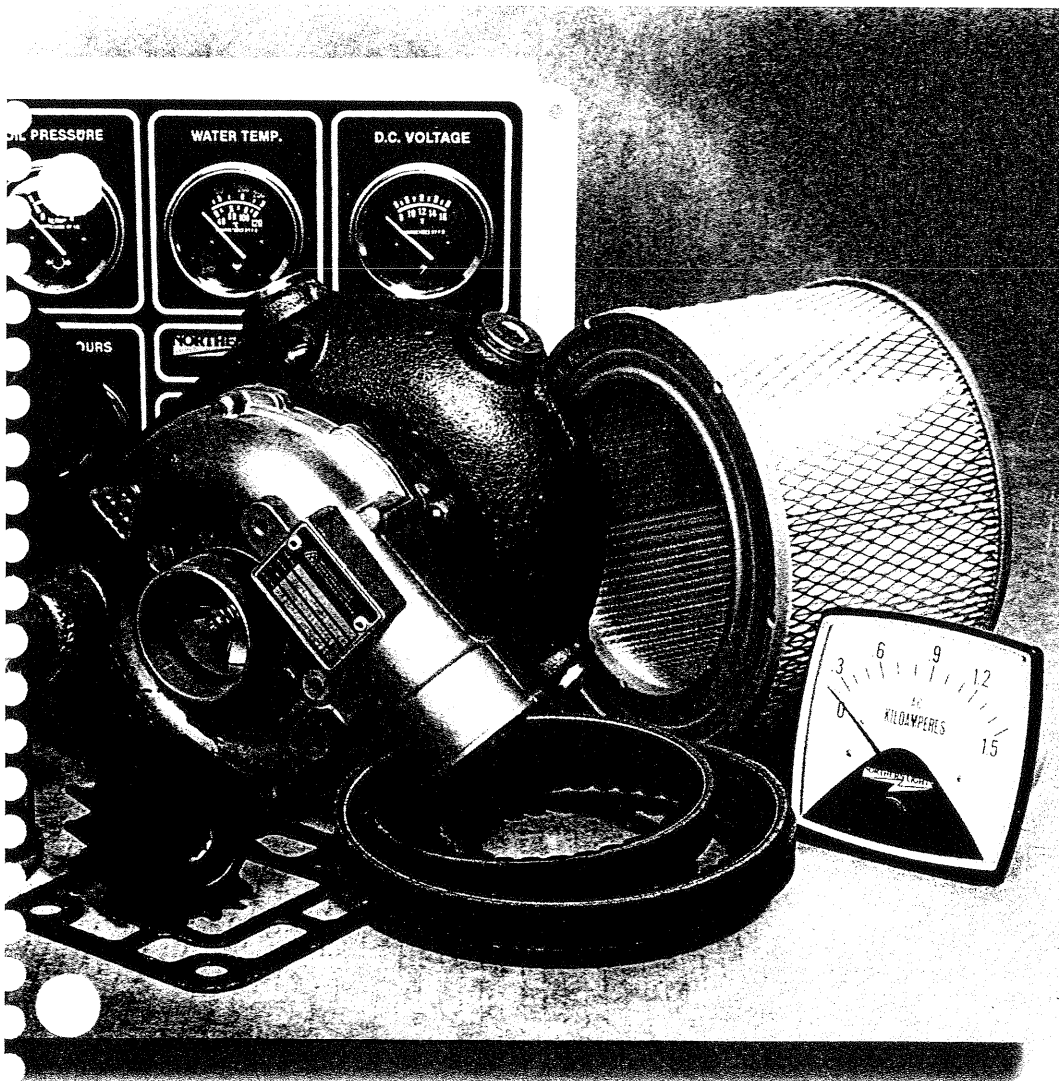


PARTS CATALOG

P673

for Models M673 and NL673



NORTHERN LIGHTS
⚡



— CALIFORNIA —
Proposition 65 Warning:

*Diesel engine exhaust and some of its constituents
are known to the State of California to cause
cancer, birth defects, and other reproductive harm.*



Alaska Diesel Electric, Inc.
4420 14th Avenue N.W.
P.O. Box 70543
Seattle, WA 98107
Tel: (206) 789-3880
Fax: (206) 782-5455

Copyright ©2003 Alaska Diesel Electric, Inc.
All rights reserved. Alaska Diesel Electric™,
the Alaska Diesel Electric logo, Northern Lights™,
and the Northern Lights logo are all trademarks
of Alaska Diesel Electric, Inc.

Printed in U.S.A.
PART NO.: OM673 8/03

PARTS CATALOG

for Models M673 & NL673

Please read thoroughly before attempting to use this manual:

Table of Contents	I
Model Designation & Serial Numbers	II
Reading a Parts Page	III

Table of Contents

GROUP 1 - ENGINE

Cylinder Block Assembly	0 - 1
Crankshaft & Piston	2 - 3
Oil Pump & Strainer	4
Camshaft	5
Cylinder Head & Rocker Arm Assembly	6 - 7
Rocker Arm Cover	8

GROUP 2 - AIR INTAKE SYSTEM

Air Intake & Rocker Arm Cover	1
Air Filter	2
Muffler	3

GROUP 3 - COOLING SYSTEM & EXHAUST

Exhaust Manifold / Expansion Tank	0 - 2
Coolant Pump	3
Raw Water Pump	4 - 5
Radiator & Mounting	6 - 7

GROUP 4 - FUEL SYSTEM

General Arrangement	0 - 1
Governor & Timing Gear Case	2 - 3
Fuel Filter & Mounting	4 - 5
Injection Pump Assembly	6
Injector Assembly	7
Fuel Lift Pump	8

GROUP 5 - ELECTRICAL SYSTEM

12 Volt Engine	0 - 1
Flywheel Housing & Starter Assembly	2
Alternator & Mounting	3
Alternator Assembly	4
Starter Motor Assembly	5
Series 1 & 1B Control Panels	6
Series 1 Start/Stop Control Panel	7
Series 1B Start/Stop Control Panel	8
Belt Guard	9

GROUP 6 - GASKET SETS

Gasket Sets	0 - 1
-------------------	-------

GROUP 7 - GENERATOR

Generator Components	0 - 7
----------------------------	-------

GROUP 8 - FRAME & MOUNTING

Base Frame Assemblies	0 - 3
-----------------------------	-------

GROUP 9 - ACCESSORIES & OPTIONAL EQUIPMENT

Standard Line - Series 3C, Flush Mount, 12 V	0
Standard Line - Series 3B, Control Panel, 12 V ..	1
Oil Drain Kit	2
Remote Expansion Tank	3
Sound Enclosure Assembly	4 - 7
Coolant Recovery Tank	8

Proprietary Information

This publication is the sole property of Alaska Diesel Electric, Inc.
It may not be reproduced in whole or part without the expressed written permission of Alaska Diesel Electric, Inc.
© Alaska Diesel Electric, Inc. 2002. All rights reserved. Litho U.S.A. Publication number: P673 12/02.

Model Designation

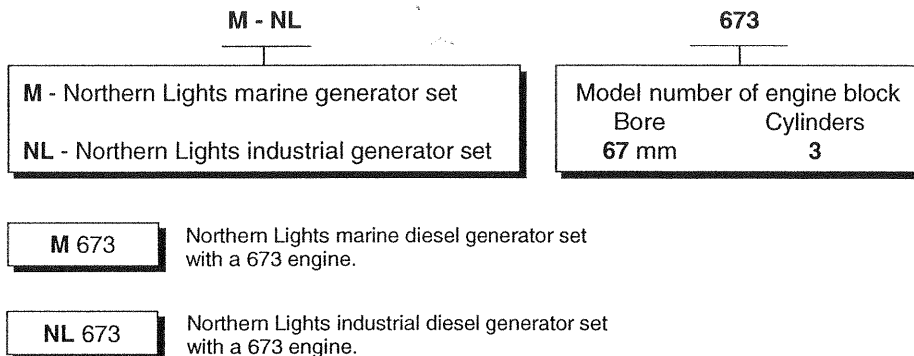
MODELS INCLUDED

This manual covers the operating instructions for:

M673 and NL673, which both use the 673 engine.

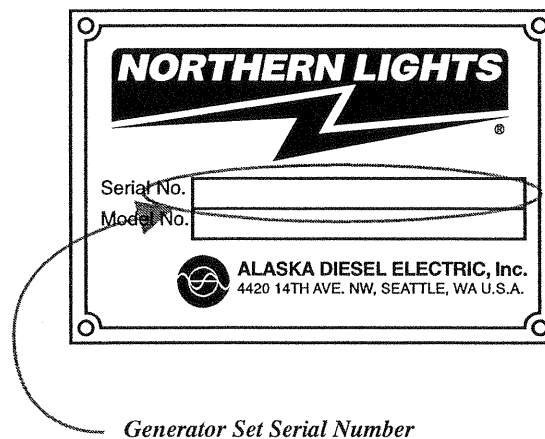
Model Numbers

Model numbers give the unit's application, block model, aspiration, and RPM:



Serial Numbers

Your set has three serial numbers: ① an engine number stamped on the block, ② a generator plate, and ③ a generator set plate. Use the serial number on the generator set plate when ordering parts or in correspondence. The generator set plate is found on the service side of the generator and resembles the drawing below.



Reading a Parts Page

IMPORTANT:

Before selecting parts, be sure that you are choosing parts from the correct page.
Check the model designation at the page top.
Do not use this illustration for parts purchasing.

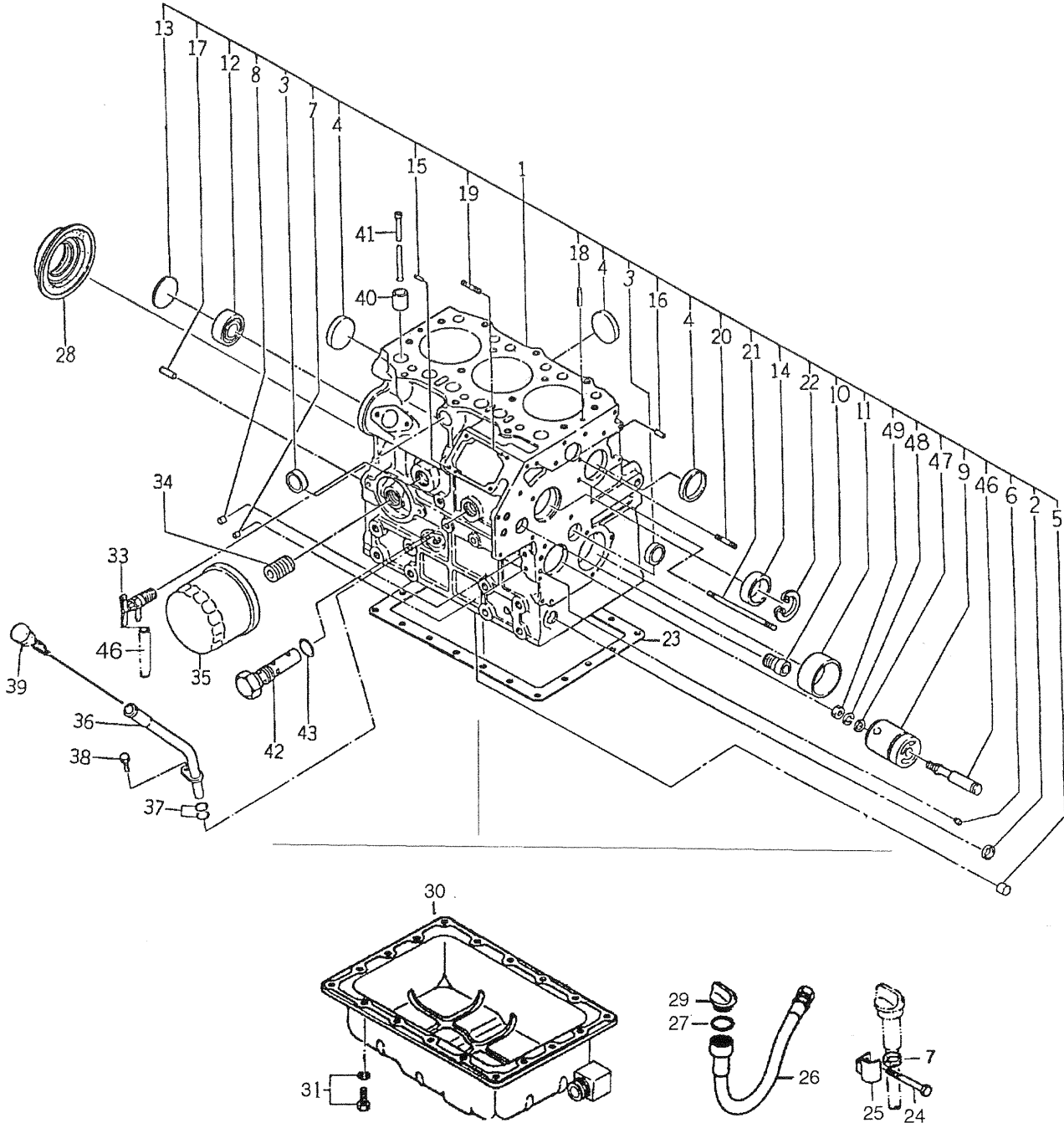
KEY	PART NUMBER	QTY.	DESCRIPTION	SERIALNUMBER
0	185046210	1	Alternator Assembly	-
1	185446219	1	Flywheel, complete	-
2	185446217	1	Plate, complete	-
3	185716200	1	Plate, complete	-
4	185446218	1	Stator, complete	-
5	040126210	2	Bearing	-
6	020210010	1	Nut	-
7	027100010	1	Spring washer	-
8	026100010	1	Washer	-
9	185446220	1	Clamp	-
10	015140408	1	Screw	-
11	015140425	2	Screw	-
12	199236510	1	Collar	-

REFERENCES:

- Grouping section title.
- Model designation of equipment that uses parts listed on this page.
- Title and description of assembly.
- Drawing numbers that correspond to key column numbers for parts identification.
- Key column for locating parts shown on drawing.
- Part number.
- Quantity of parts used.
- Description of each component part.
- Serial number of unit the part fits.
- Assembly or kit designated by Key 0 or ••/•.
- Grouping index number.
- Page number within the grouping index.
- Manual title.
- Page publication date.

NOTE: ➡ Arrows always point toward the front of the engine.

Cylinder Block Assembly



P673: 1-0

KEY	PART NUMBER	QTY	DESCRIPTION	SERIAL NUMBER
1	110107821	1	Cylinder Block - Industrial Application	-
	110107831	1	Cylinder Block - Marine Application (formerly #110107830)	-
2	064200015	1	Expansion Plug 15 mm	-
3	064200018	2	Expansion Plug 18 mm	-
4	064200035	4	Expansion Plug 35 mm	-
5	198466070	5	Blank Plug	-
6	198466050	1	Blank Plug	-
7	19-00010	1	Hose Clamp #10 (Marine application only)	-

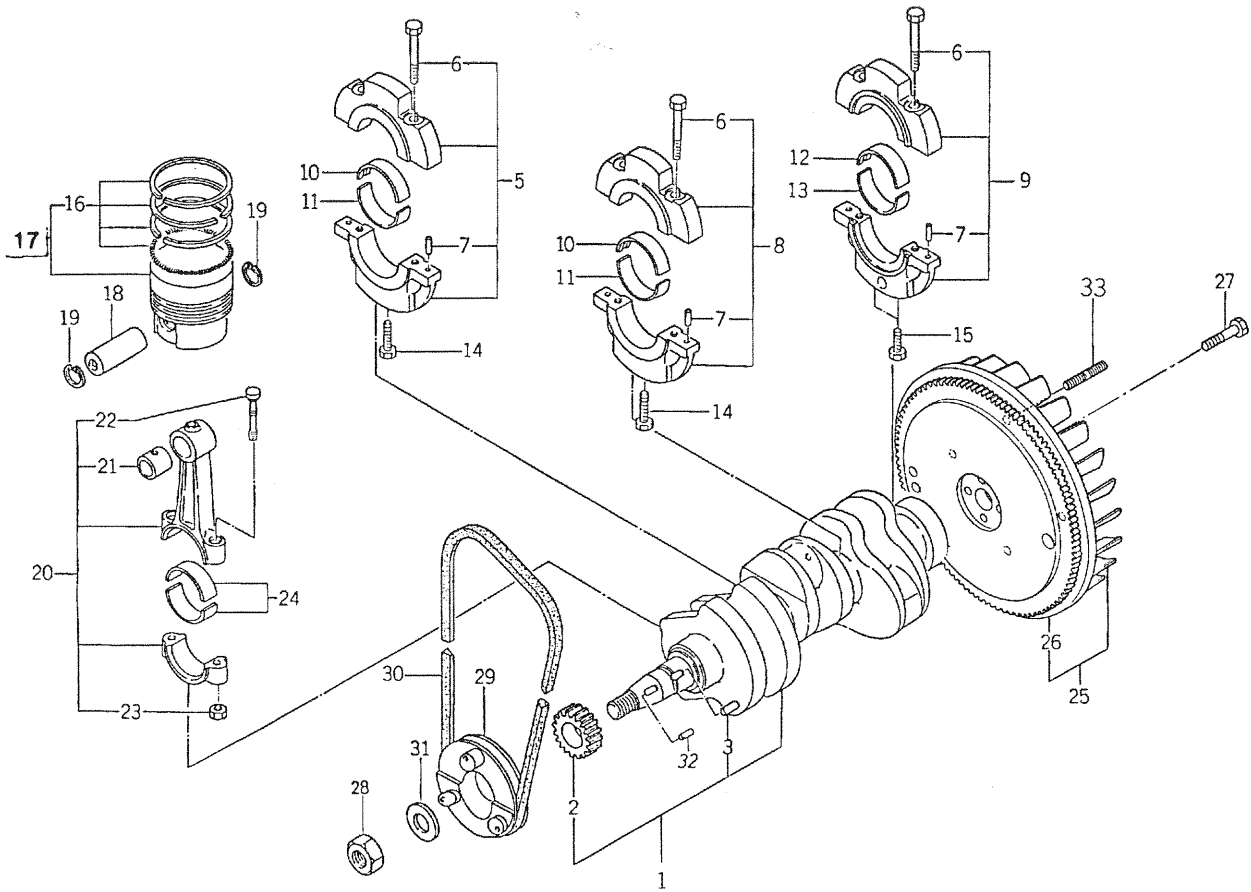
Cylinder Block Assembly

KEY	PART NUMBER	QTY	DESCRIPTION	SERIAL NUMBER
8	198466010	4	Blank Plug	-
9	165296160	1	Idle Gear Shaft	-
10	198466060	1	Sealing Cap	-
11	198517301	1	Bushing, Standard (formerly #198517300)	-
	198517305	1	Bushing, Undersize 0.25 mm (formerly #198517305)	-
	198517308	1	Bushing, Undersize 0.50 mm (formerly #198517308)	-
12	040106203	1	Bearing	-
13	064100045	1	Expansion Plug	-
14	042303015	1	Bearing	-
15	030500512	1	Dowel Pin	-
16	030500616	2	Dowel Pin	-
17	030500820	2	Dowel Pin	-
18	030309005	2	Lock Pin	-
19	012110620	2	Stud M6 x 1.0 x 20 mm	-
20	012100635	1	Stud M6 x 1.0 x 35 mm	-
21	012100660	1	Stud M6 x 1.0 x 60 mm	-
22	036509005	1	Retaining Ring	-
23	110996590	1	Gasket	-
24	011500860	1	Bolt (Marine application only)	-
25	140976040	1	Bracket (Marine application only)	-
26	140606710	1	Drain Hose (Marine application only)	-
27	054109013	1	Gasket (Marine application only)	-
28	198636080	1	Oil Seal	-
29	398430560	1	Cap (Marine application only – formerly #398430080)	-
30	110706770	1	Oil Pan - Marine Application	-
	110706691	1	Oil Pan - Industrial Application	-
31	010109235	38	Capscrew, Hex Head Phillips M6 x 1.0 x 14 mm	-
33	198736050	1	Drain Cock	-
34	140546020	1	Adapter	-
35	24-02001	1	Oil Filter	-
36	110756070	1	Dipstick Tube	-
37	052100100	2	O-Ring	-
38	011300612	1	Capscrew, Hex Head with Washer M6 x 1.0 x 12 mm	-
39	198416350	1	Dipstick	-
40	120116100		Tappet *	-
	120116180		Tappet #1 Cylinder, Exhaust Only *	-
41	120456240	6	Push Rod	-
42	140036220	1	Relief Valve Assembly (formerly #140036120)	-
43	152100150	1	O-Ring	-
46	068115200	1	Hose	-
47	15-00701	1	Flat Washer M8	-
48	15-00702	1	Lock Washer M8	-
49	14-00711	1	Nut M8 x 1.25	-
50	010401212	**	Plug, Hex Head M12x1.25	-
51	025100012	**	Sealing Washer	-

*Note: Camshaft 120026171 requires 6 ea. of Tappet 120116100.
Replacement Camshaft requires 5 ea. Tappet 120116100 and 1 ea. 120116180.

**As required

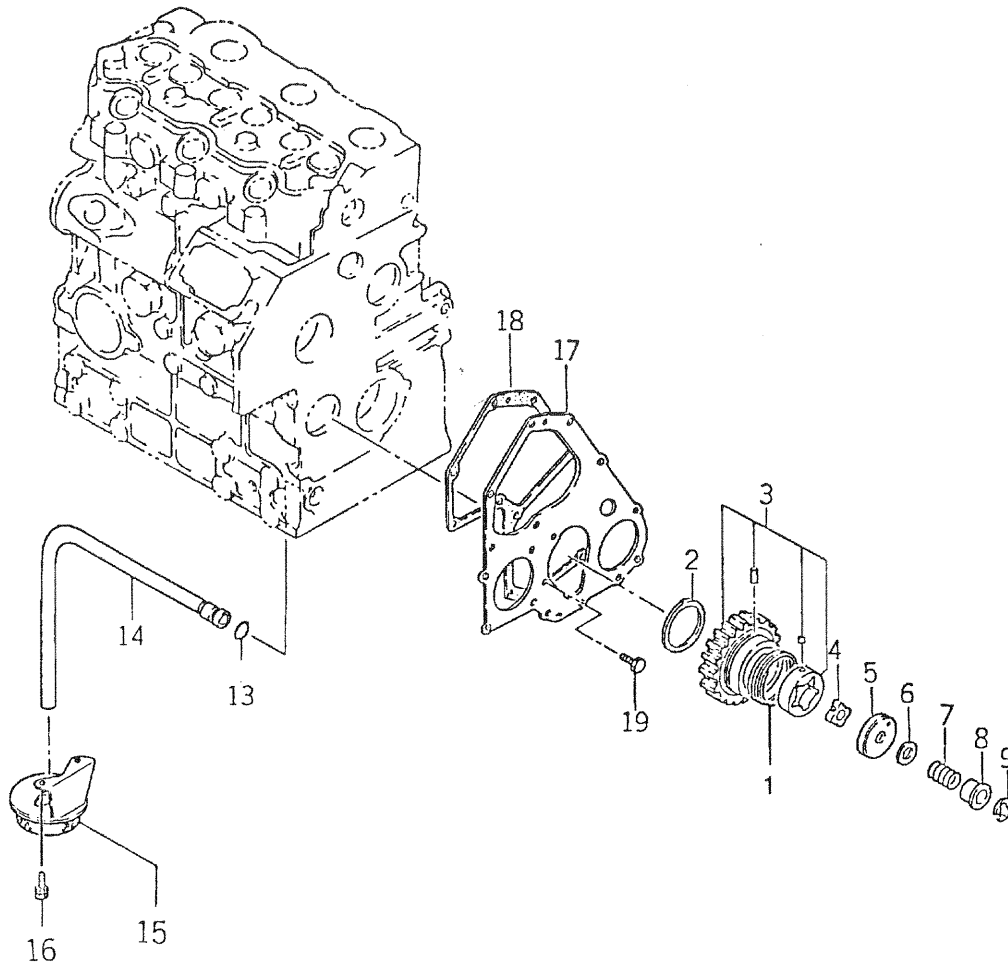
Crankshaft and Pistons



Crankshaft and Pistons

KEY	PART NUMBER	QTY	DESCRIPTION	SERIAL NUMBER
1	115256570	1	Crankshaft (includes keys #2, #3, #32)	-
2	115276210	1	Crankshaft Gear	-
3	030509020	1	Dowel Pin	-
5	110156220	1	Bearing Holder Assembly (includes keys #6 & #7)	-
6	010810840	6	Bolt	-
7	030500612	6	Dowel Pin	-
8	110156230	1	Bearing Holder Assembly (includes keys #6 & #7)	-
9	110156240	1	Bearing Holder Assembly (includes keys #6 & #7)	-
10	198517331	2	Bearing, standard (formerly #198517330)	-
	198517335	2	Bearing, undersize 0.25 mm (formerly #198517334)	-
	198517338	2	Bearing, undersize 0.50 mm (formerly #198517337)	-
11	198517341	2	Bearing, standard (formerly #198517340)	-
	198517345	2	Bearing, undersize 0.25 mm (formerly #198517344)	-
	198517348	2	Bearing, undersize 0.50 mm (formerly #198517347)	-
12	198517102	1	Bearing, standard (formerly #198517301)	-
	198517106	1	Bearing, undersize 0.25 mm (formerly #198517305)	-
	198517109	1	Bearing, undersize 0.50 mm (formerly #198517308)	-
13	198517111	1	Bearing, standard (formerly #198517310)	-
	198517115	1	Bearing, undersize 0.25 mm (formerly #198517314)	-
	198517118	1	Bearing, undersize 0.50 mm (formerly #198517317)	-
14	011510850	2	Bolt	-
15	010700845	3	Bolt	-
16	115107400	3	Ring Kit, standard	-
	115107410	3	Ring Kit, oversize 0.50 mm	-
17	115016960	3	Piston, standard (includes key #16)	-
	115016970	3	Piston, oversize 0.50 mm (includes key #16)	-
18	115326260	3	Piston Pin	-
19	036500019	6	Snap Ring	-
20	115026240	3	Connecting Rod Assembly (includes keys #21 - #23)	-
21	198517325	3	Bushing	-
22	115176130	6	Connecting Rod Bolt	-
23	020109103	6	Nut	-
24	198517311	6	Bearing, standard (formerly #198517310)	-
	198517315	6	Bearing, undersize 0.25 mm (formerly #198517314)	-
	198517318	6	Bearing, undersize 0.50 mm (formerly #198517317)	-
25	115356930	1	Flywheel, Complete	-
26	115376040	1	Ring Gear (includes key #26)	-
27	010109330	4	Bolt	-
28	020800018	1	Nut	-
29	115396780	1	Crankshaft Pulley	-
30	40-02002	1	Drive Belt (formerly #080109048)	-
31	026200018	1	Washer	-
32	034100508	1	Key	-
33	012111025	4	Stud M10 x 1.5 x 25 mm	-

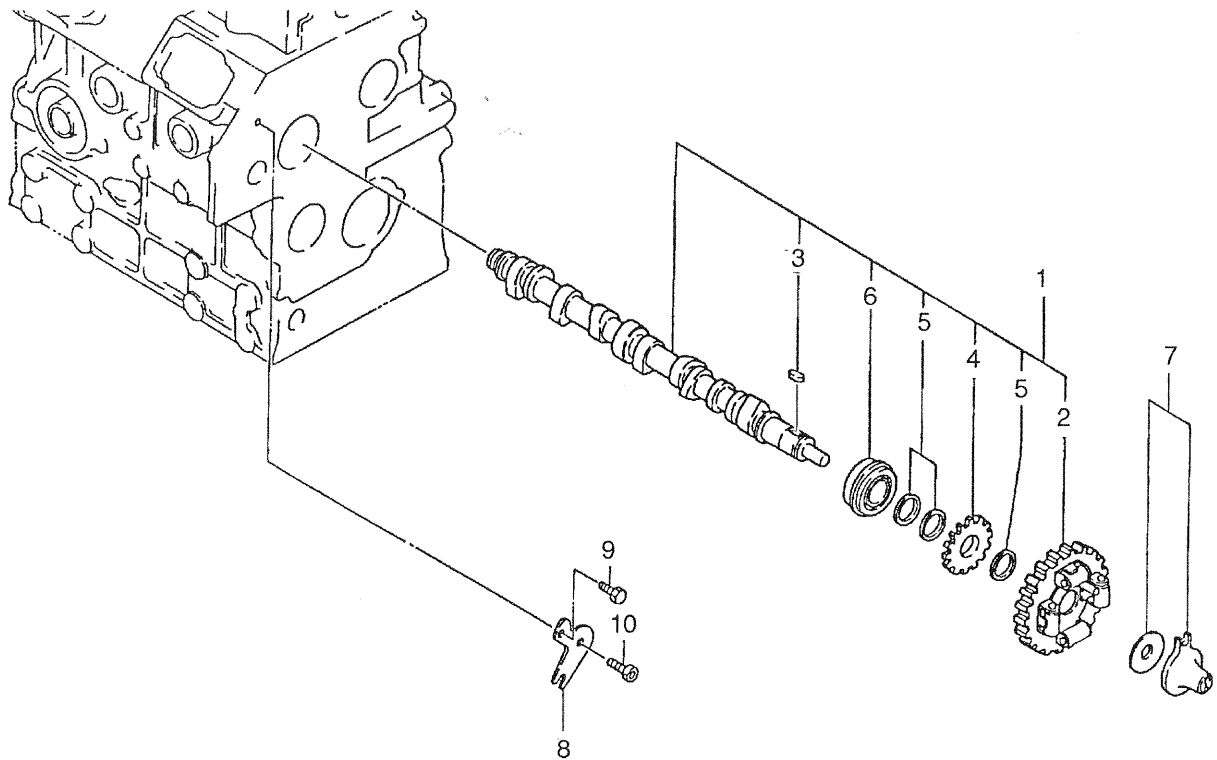
Oil Pump and Strainer



P673: 1-4

KEY	PART NUMBER	QTY	DESCRIPTION	SERIAL NUMBER
1	198216821	1	Spring	-
2	199266180	1	Thrust Washer	-
3	165026110	1	Idle Gear Assembly	-
4	140166130	1	Rotor	-
5	140116140	1	Oil Pump Cover	-
6	199286150	1	Shim: Thickness = 0.10 mm	-
	199286160	1	Shim: Thickness = 0.15 mm	-
	199286170	1	Shim: Thickness = 0.20 mm	-
	199286180	1	Shim: Thickness = 0.50 mm	-
7	199216720	1	Spring	-
8	199236540	1	Collar	-
9	036800010	1	Snap Ring	-
13	052109076	1	O-Ring	-
14	140986590	1	Oil Pipe	-
15	140406310	1	Suction Filter	-
16	011310612	2	Capscrew, Hex Head with Washer M6 x 1.0 x 12 mm	-
17	165166280	1	Front Plate	-
18	165996400	1	Gasket	-
19	011300612	3	Capscrew, Hex Head Phillips M6 x 1.0 x 12 mm	-

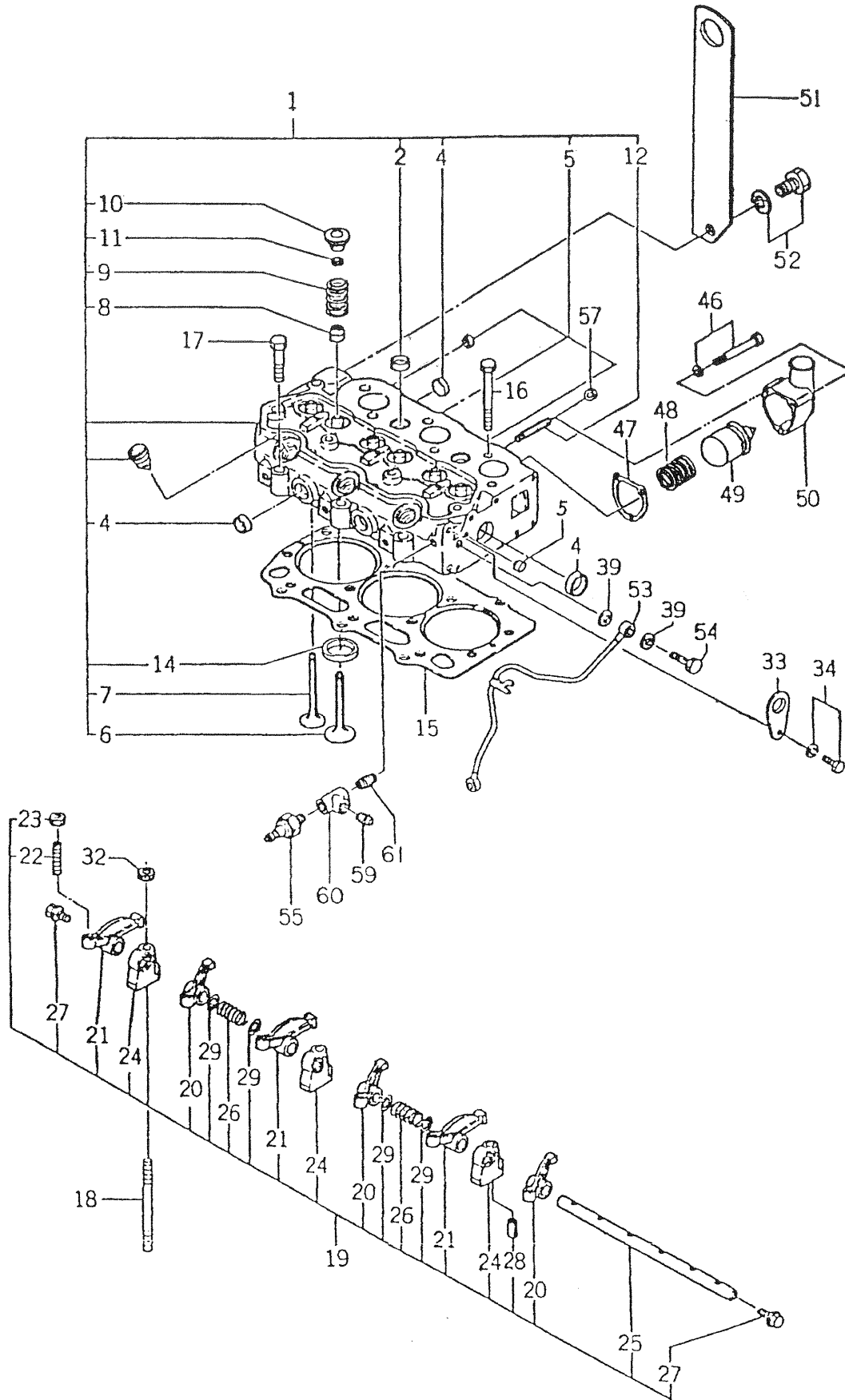
Camshaft



P673: 1-5

KEY	PART NUMBER	QTY	DESCRIPTION	SERIAL NUMBER
1	120026172	1	Camshaft Assembly (includes keys #1 - #10 – formerly #120026170 & 120026171) *	from xxxx-29623
2	120016060	1	Cam Gear	-
3	034100508	1	Key	-
4	120736081	1	Gear	-
5	199261230	3	Spacer	-
6	040109048	1	Bearing	-
7	125256120	1	Slider	-
8	199566651	1	Plate	-
9	011310612	1	Bolt	-
10	010700610	1	Bolt	-
<p>*Note: Requires new Tappets - see Cylinder Block</p>				

Cylinder Head and Rocker Arm Assembly



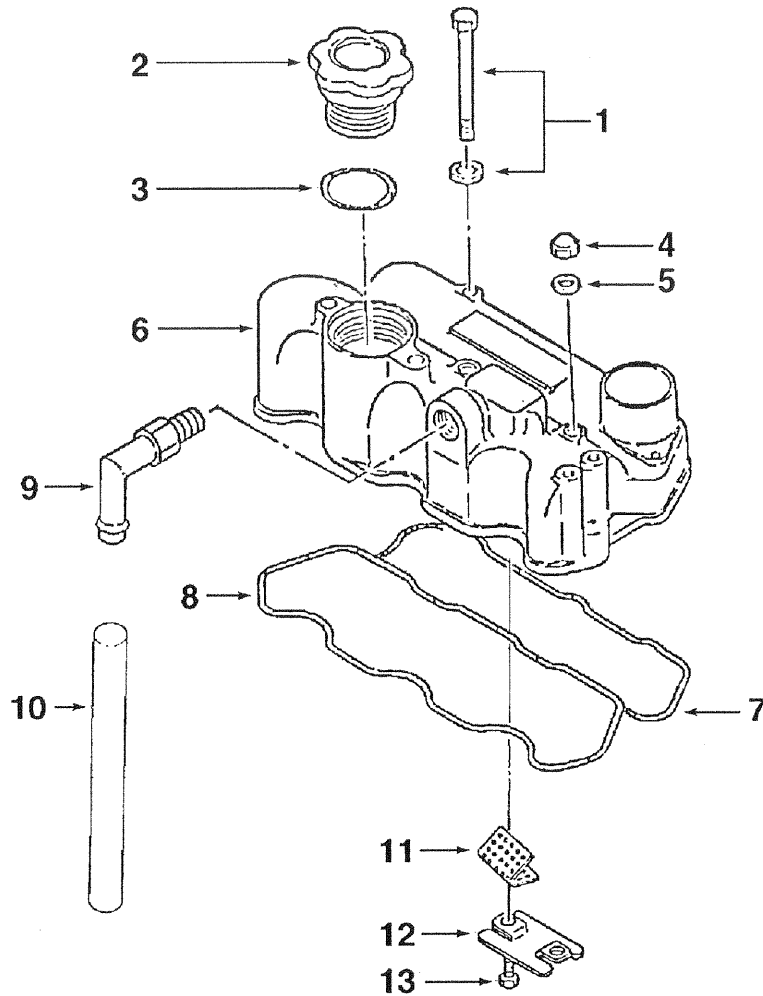
P673cylhead

Cylinder Head and Rocker Arm Assembly

KEY	PART NUMBER	QTY	DESCRIPTION	SERIAL NUMBER
1	111016951	1	Cylinder Head Assembly	-
2	064200018	2	Expansion Plug, 18 mm	-
4	064200022	6	Expansion Plug, 22 mm	-
5	198466070	4	Blank Plug	-
6	120166280	3	Intake Valve	-
7	120176290	3	Exhaust Valve	-
8	120406080	6	Valve Guide Seal	-
9	198217070	6	Spring	-
10	120186100	6	Retainer	-
11	120226080	12	Valve Keeper	-
12	012100650	1	Stud, M6 x 1.0 x 50 mm	-
14	110136290	3	Intake Valve Seat	-
15	111147400	1	Head Gasket, Thickness = 0.5 mm	-
16	111136460	11	Head Bolt, 10 mm Hex (formerly #111136340, 12 mm Hex)	-
17	111136470	3	Head Bolt, 10 mm Hex (formerly #111136350, 12 mm Hex)	-
18	012109177	3	Stud Bolt	-
19	120036330	1	Rocker Arm Assembly – Early Production (includes keys #20 - #32)	-
	120036700	1	Rocker Arm Assembly – Late Production (includes Keys #20 - #32; requires Valve Cap #62)	-
20	120356110	3	Rocker Arm - intake with swivel tip – Early Production	-
	120356200	3	Rocker Arm - intake – Late Production (requires Valve Cap #62)	-
21	120356120	3	Rocker Arm - exhaust with swivel tip – Early Production	-
	120356210	3	Rocker Arm - exhaust – Late Production (requires Valve Cap #62)	-
22	199486220	6	Screw	-
23	020109076	6	Nut	-
24	120346170	3	Rocker Arm Bracket	-
25	120316190	1	Rocker Arm Shaft	-
26	198217080	2	Spring	-
27	064609006	2	Plug	-
28	030300325	1	Spring Pin	-
29	199280280	4	Shim	-
32	14-00711	3	Hex Nut M8 x 1.25	-
33	198516340	1	Lifting Eye	-
34	011310816	1	Bolt	-
39	198996060	7	Gasket	-
44	068122560	1	Vinyl Tube	-
46	011300650	2	Capscrew, Hex Head M6 x 1.0 x 50 mm with Washer	-
47	145996440	1	Gasket	-
48	198217410	1	Spring	-
49	145206062	1	Thermostat	-
50	145216171	1	Thermostat Housing	-
51	195816550	1	Lifting Eye	-
52	011510820	1	Bolt	-
53	140606680	1	Oil Pipe	-
54	198486780	2	Bolt	-
55	185246011	1	Oil Pressure Switch (see Electrical System)	-
56	15-01132	8	Lock Washer M6	-
57	14-01131	3	Hex Nut M6 x 1.0	-
59	21-00139	1	Adapter 1/8 BSPT x 1/8 NPT (with oil pressure sender)	-
	064500010	1	Plug 1/8 BSPT (without oil pressure sender)	-
60	198486720	1	Female Tee, 1/8 BSPT	-
61	198486380	**	Hex Nipple, 1/8 BSPT (**As required)	-
62	120216130	6	Valve Cap – Late Production	-

Rocker Arm Cover

Industrial Application

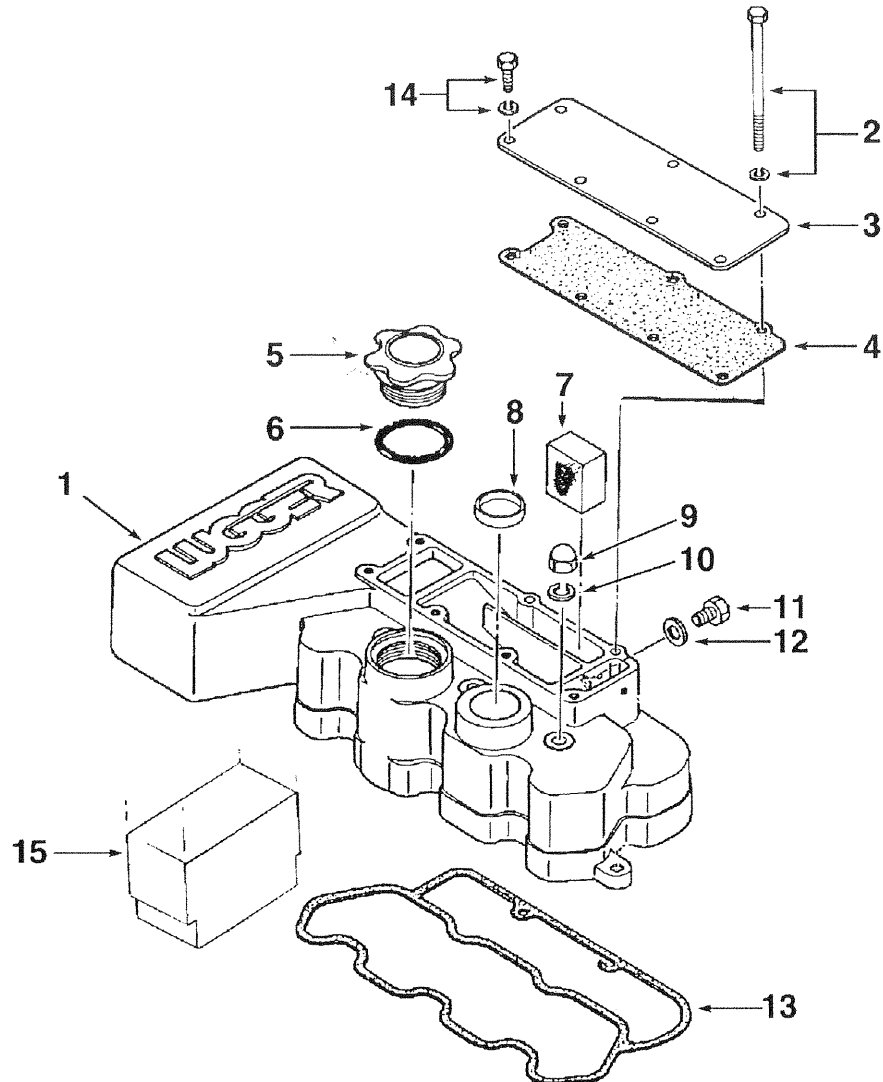


P673: 2-0A

KEY	PART NUMBER	QTY	DESCRIPTION	SERIAL NUMBER
1	010110690	2	Bolt	-
2	198436010	1	Cap	-
3	052100400	1	O-ring	-
4	024500008	3	Nut	-
5	198996060	3	Gasket	-
6	111216610	1	Rocker Arm Cover	-
7	111996330	1	Gasket	-
8	111996060	1	Gasket	-
9	110986500	1	Pipe	-
10	068122560	1	Vent Tube	-
11	110666120	1	Filter	-
12	110666110	1	Oil Stopper	-
13	011140612	2	Bolt	-

Air Intake and Rocker Arm Cover

Marine Application

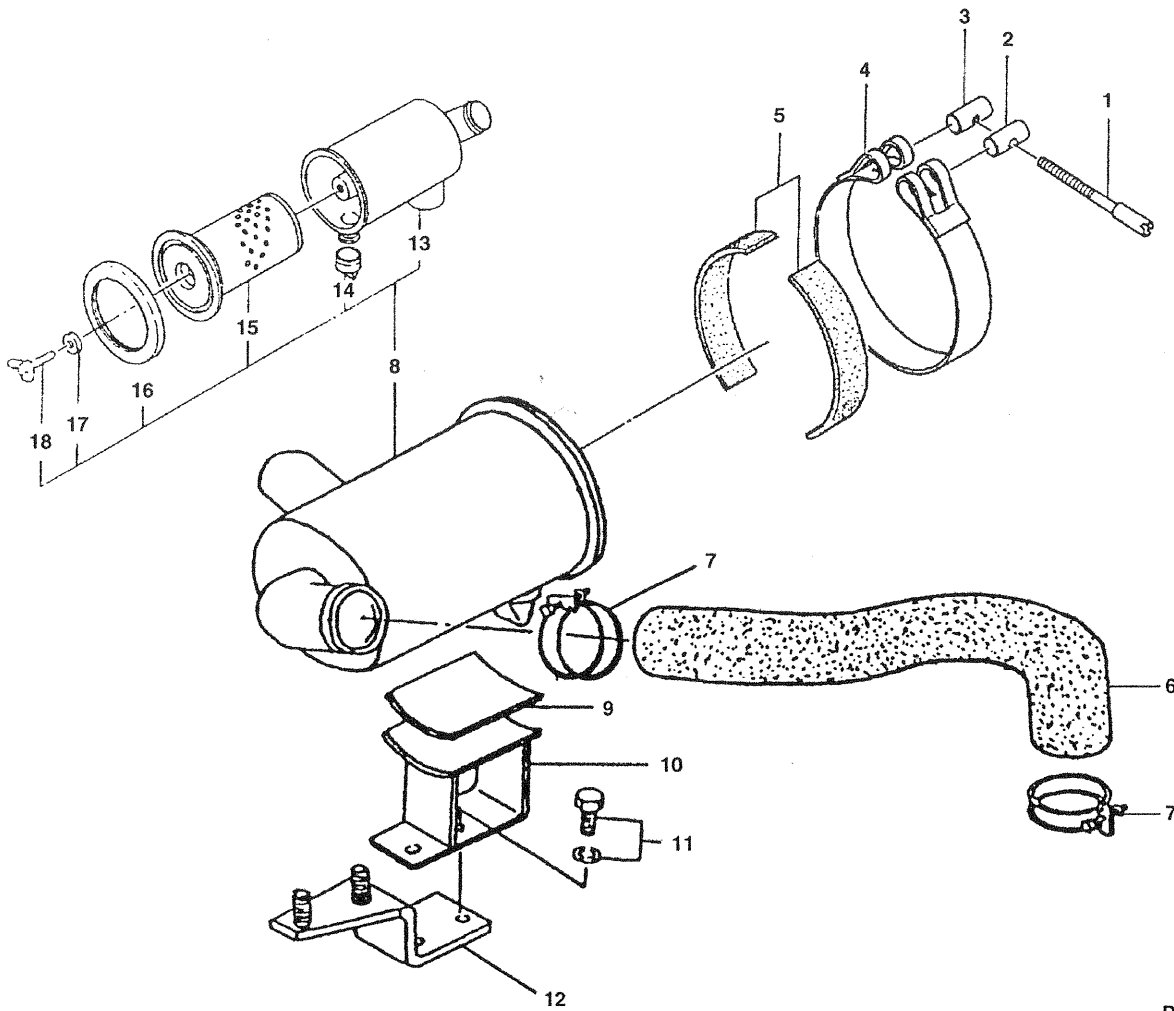


P673: 2-0B

KEY	PART NUMBER	QTY	DESCRIPTION	SERIAL NUMBER
1	111206270	1	Rocker Arm Cover/Air Intake (includes key #8)	-
2	010110690	2	Bolt	-
3	135176030	1	Plate	-
4	135996560	1	Gasket	-
5	198436010	1	Cap	-
6	052100400	1	O-ring	-
7	110666090	2	Filter	-
8	064200030	1	Plug	-
9	024500008	3	Nut	-
10	198996060	3	Gasket	-
11	010100810	1	Bolt	-
12	025100008	1	Sealing Washer	-
13	111996340	1	Gasket	-
14	011500812	5	Bolt	-
15	24-28300	1	Air Filter	-

Air Filter

Industrial Application

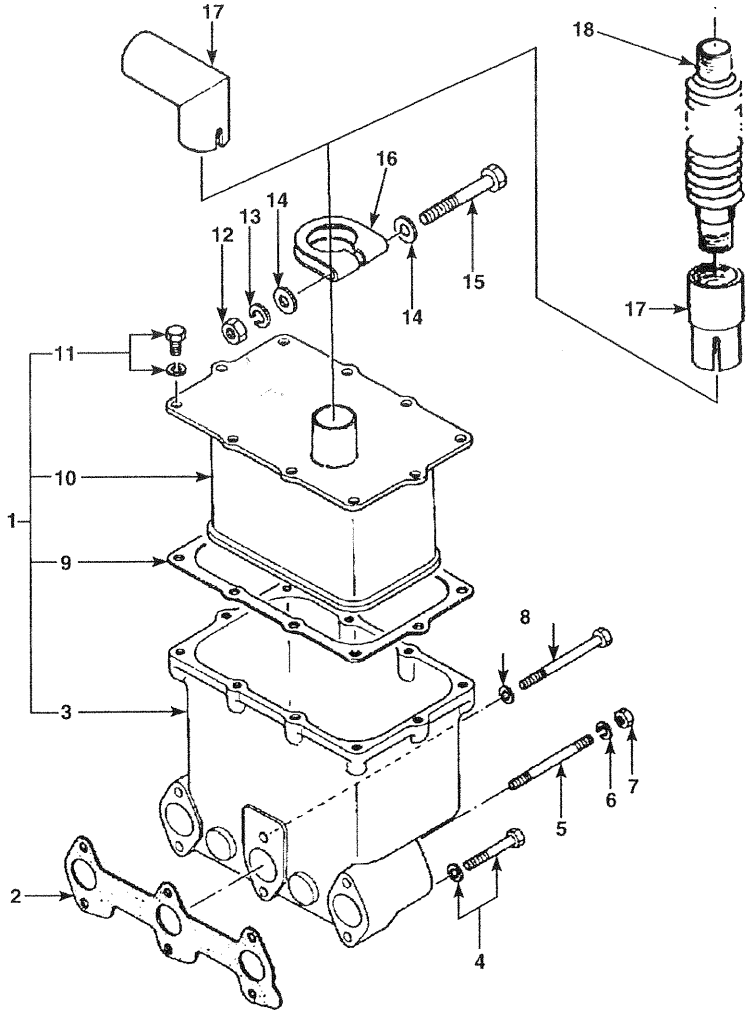


P673: 2-2

KEY	PART NUMBER	QTY	DESCRIPTION	SERIAL NUMBER
1	399480070	1	Screw	-
2	399610100	1	Pin	-
3	399610110	1	Pin	-
4	314630030	1	Clamp	-
5	398113190	2	Rubber	-
6	135597480	1	Air Intake Hose	-
7	067100056	2	Hose Clamp	-
8	408060010	1	Air Filter Assembly (includes Keys 13-18)	-
9	198116380	1	Rubber	-
10	135976570	1	Bracket	-
11	011500820	2	Bolt	-
12	135976120	1	Bracket	-
13	135156100	1	Filter Housing	-
14	408620004	1	Valve	-
15	408620002	1	Element	-
16	408620005	1	Packing	-
17	408620006	1	Packing	-
18	014100620	1	Wing Bolt	-
19	135326060	1	Rain Cap with Clamp (not shown)	-

Muffler

Industrial Application

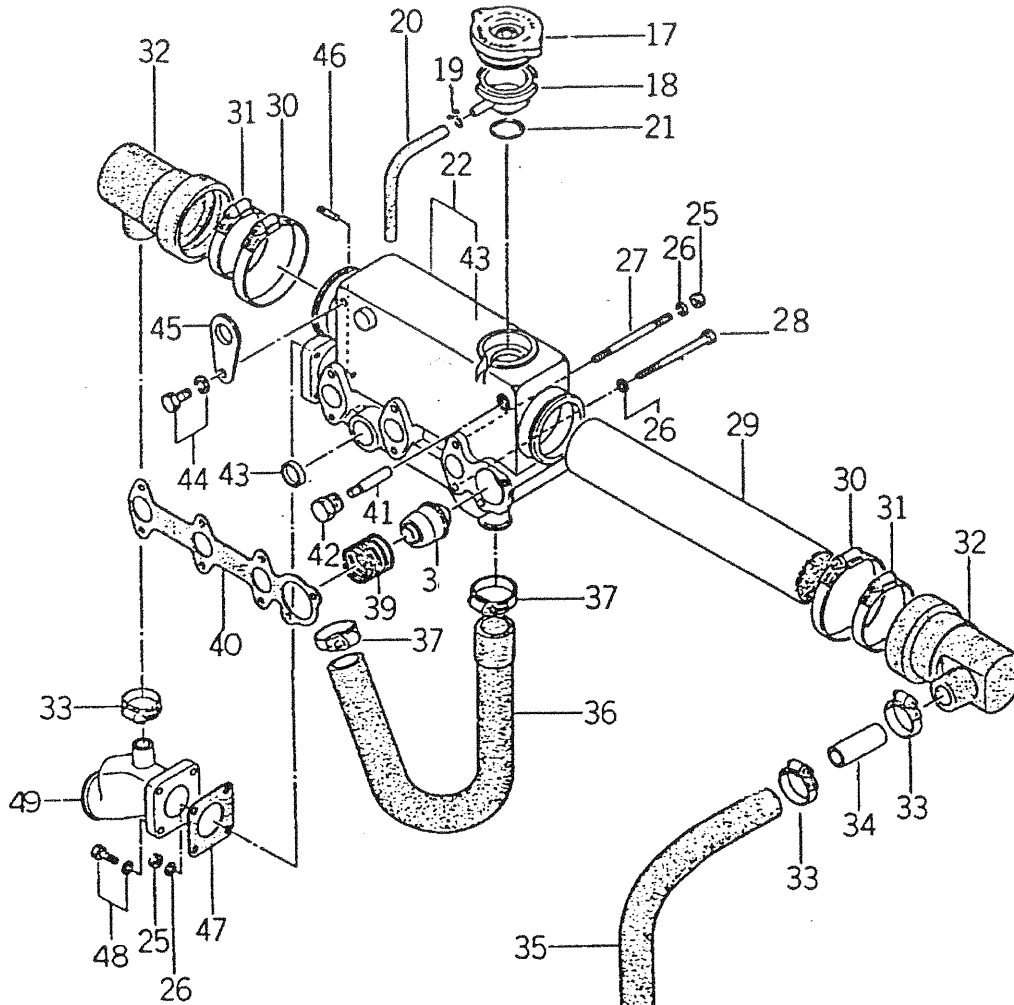


P673: 2-3

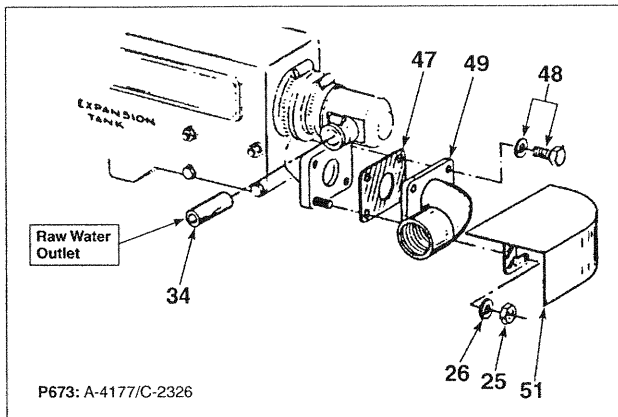
KEY	PART NUMBER	QTY	DESCRIPTION	SERIAL NUMBER
1	135046100	1	Muffler Assembly (includes Keys #3, #9, #10, & #11)	-
2	135996520	1	Gasket	-
3	135616551	1	Exhaust Manifold	-
4	011310640	3	Bolt	-
5	012110670	2	Stud	-
6	027100006	2	Spring Washer	-
7	020100006	2	Nut	-
8	011310670	1	Bolt	-
9	135996530	1	Gasket	-
10	135406170	1	Muffler	-
11	011300612	10	Bolt	-
12	020100008	1	Nut	-
13	027100008	1	Spring Washer	-
14	026100008	2	Washer	-
15	010110860	1	Bolt	-
16	408330010	1	Clamp	-
17	135606150	1	Exhaust Adapter, 90°	-
	31-38300	1	Exhaust Adapter, straight 1-1/4 NPT	-
18	27-38302	1	Stainless Steel Exhaust Flex 1-1/4 NPT x 18"	-

Exhaust Manifold / Expansion Tank

Heat Exchanger Cooling Components



P673: 3-0



P673: A-4177/C-2326

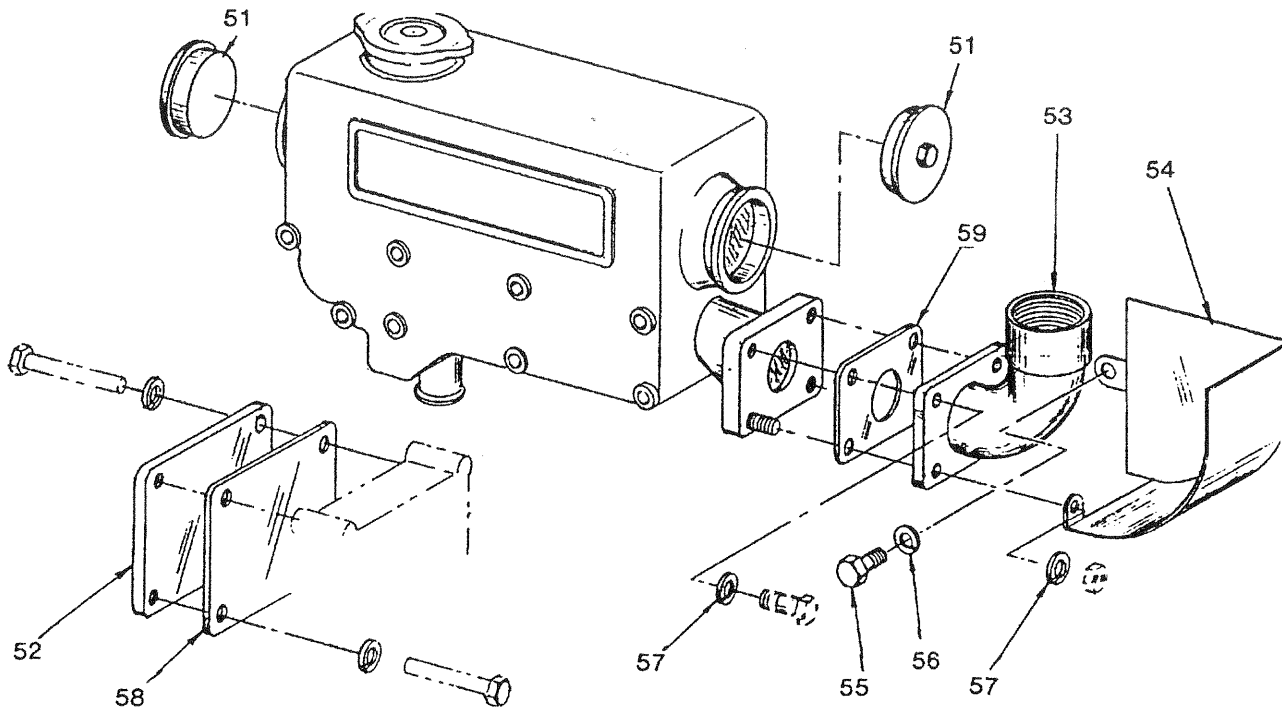
Exhaust Manifold / Expansion Tank

Heat Exchanger Cooling Components

KEY	PART NUMBER	QTY	DESCRIPTION	SERIAL NUMBER
2	14-00711	1	Hex Nut M8 x 1.25	-
3	15-00702	1	Lock Washer	-
4	340460170	1	Gear	-
5	052400400	1	O-ring	-
6	25-18305	1	Raw Water Pump (see parts detail) replaced by 25-12007 *	-
	25-12007		Raw Water Pump (see parts detail) *	-
7	19-00010	1	Hose Clamp #10	-
8	12-00717	3	Capscrew, Hex Head M8 x 1.25 x 60 mm	-
	12-00701	1	Capscrew, Hex Head M8 x 1.25 x 110 mm	-
9	140976040	1	Bracket	-
17	21-12007	1	Filler Cap	-
18	145546430	1	Filler Neck	-
19	067200100	1	Clamp	-
20	068106500	1	Overflow Tube	-
21	052400330	1	O-ring	-
22	135606160	1	Exhaust Manifold/Expansion Tank (includes keys #18, #21 & #43)	-
25	14-01131	4	Hex Nut M6 x 1.0	-
26	15-01132	12	Lock Washer M6	-
27	012110690	3	Stud M6 x 1.0 x 90 mm	-
28	12-01136	5	Capscrew, Hex Head M6 x 1.0 x 90 mm	-
29	20-12003	1	Heat Exchanger Element	-
30	19-00040	2	Hose Clamp #40	-
31	19-00036	2	Hose Clamp #36	-
32	145536440	2	End Cap	-
33	19-00012	5	Hose Clamp #12	-
34	145986170	1	Pipe	-
35	145536461	1	Hose	-
36	145536451	1	Hose	-
37	19-00016	2	Hose Clamp #16	-
38	145206062	1	Thermostat	-
39	198217410	1	Spring	-
40	135996730	1	Gasket	-
41			Zinc Anode (no longer required)	-
42	198436200	1	Plug	-
43	064200022	1	Plug	-
44	011510816	1	Bolt	-
45	195816340	1	Lifting Eye	-
46	012100620	1	Stud M6 x 1.0 x 20 mm	-
47	135996550	1	Gasket	-
48	011300620	3	Bolt	-
49	135616570	1	Wet Exhaust Elbow	-
49	27-38300	1	Dry Exhaust Elbow	-
50	00-08301	1	Decal "Northern Lights" (not shown)	-
51	00-38301	1	Heat Shield	-
			* NOTE: Raw water pumps may be identified by markings on pump covers.	

Exhaust Manifold / Expansion Tank

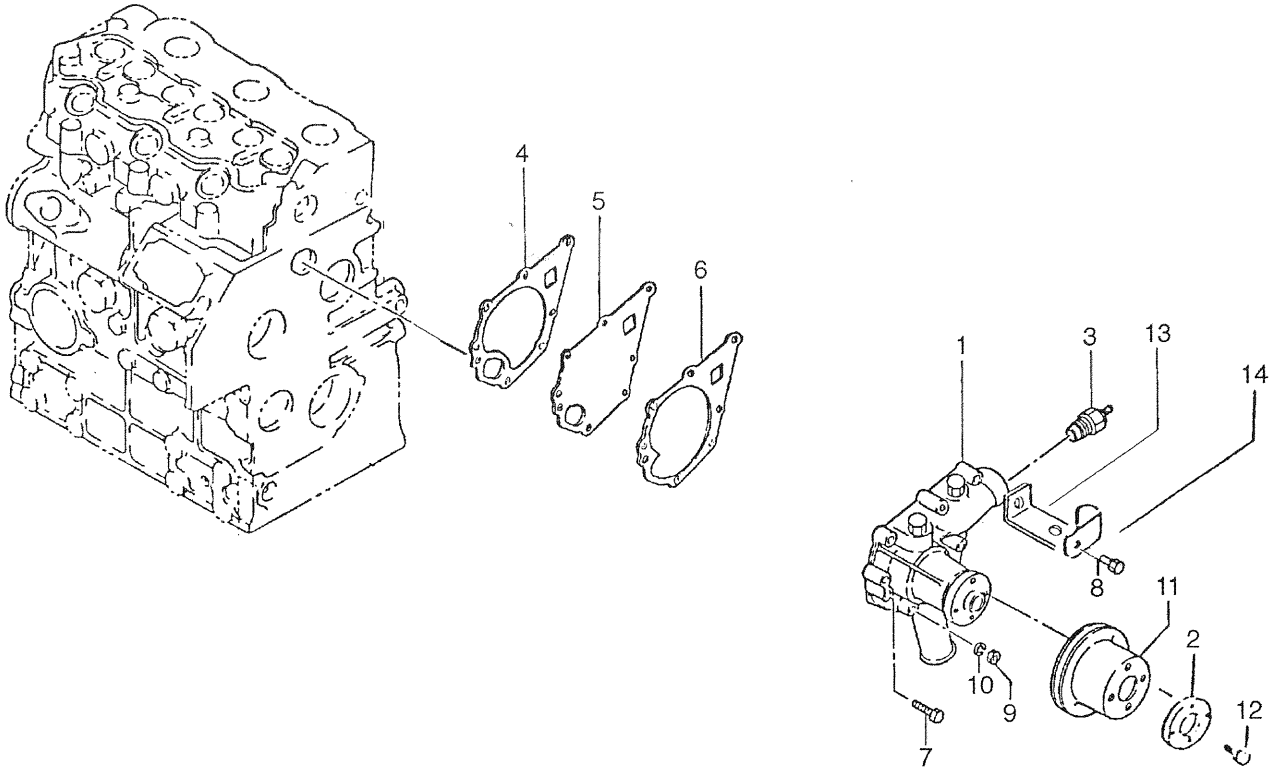
Keel Cooling Components



P673: 2-1

KEY	PART NUMBER	QTY	DESCRIPTION	SERIAL NUMBER
1	10-18301	2	End Cap	-
2	28-18300	1	Plate	-
3	27-38300	1	Dry Exhaust Elbow 1-1/4	-
4	00-38301	1	Heat Shield	-
5	12-00751	1	Cap Screw, Hex Head M8 x 1.25 x 16 mm	-
6	15-00702	1	Lock Washer M8	-
7	15-01132	4	Lock Washer M6	-
8	11-78301	1	Gasket	-
9	135996550	1	Gasket	-
<p>Note: See Heat Exchanger Cooling for parts not shown here.</p>				

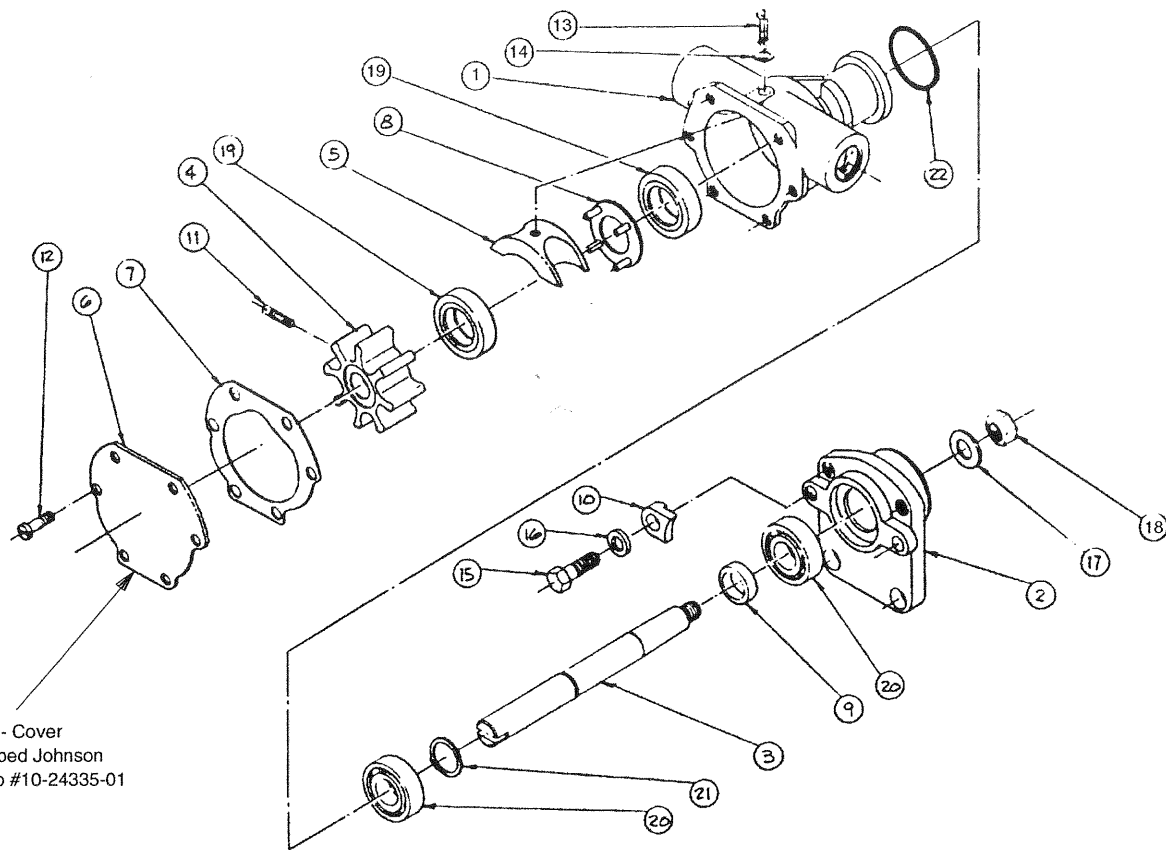
Coolant Pump



P673: 3-2

KEY	PART NUMBER	QTY	DESCRIPTION	SERIAL NUMBER
1	145016860	1	Coolant Pump Assembly (parts not available separately)	-
2	145386520	1	Plate	-
3		1	Temperature Switch (see Electrical System)	-
4	145996630	1	Gasket (formerly #145996420)	-
5	145146290	1	Set Plate	-
6	145996640	1	Gasket (formerly #145996430)	-
7	011300635	3	Capscrew, Hex Head w/Washer M6 x 1.0 x 35 mm	-
8	011300655	3	Capscrew, Hex Head w/Washer M6 x 1.0 x 55 mm	-
9	14-00131	1	Hex Nut M6 x 1.0	-
10	15-01132	1	Lock Washer M6	-
11	145336490	1	Pulley	-
12	011310620	4	Capscrew, Hex Head w/Washer M6 x 1.0 x 20 mm	-
13	140976060	1	Bracket, Belt Guard Support (see Electrical System)	-
14	199116370	1	Clamp	-

Raw Water Pump

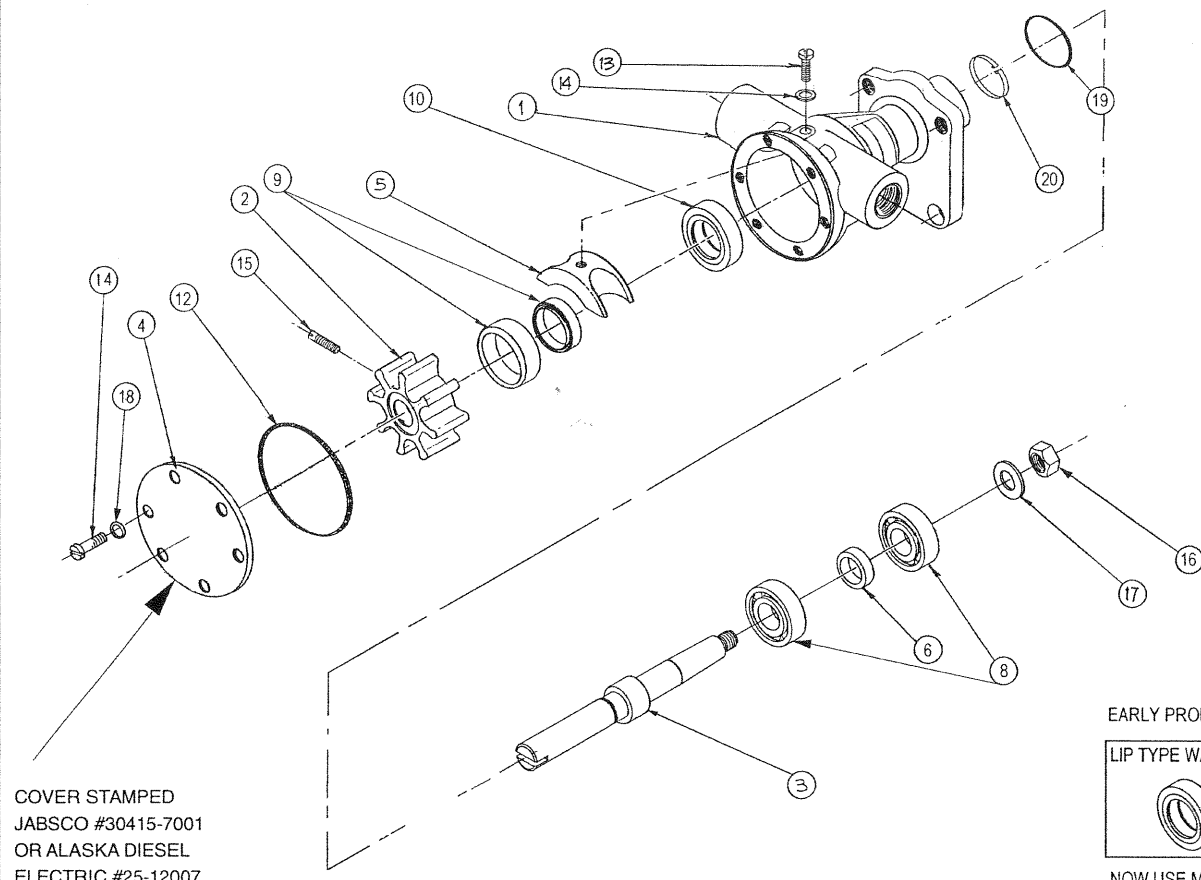


Note - Cover stamped Johnson Pump #10-24335-01

A-3793/ D-2273

KEY	PART NUMBER	QTY	DESCRIPTION	SERIAL NUMBER
••	25-18305	1	Raw Water Pump (includes keys #1 - #22)	up to xxxx-18324
••	25-18306	1	Repair Kit for 25-18305 (includes keys #3, #4, #6, #7, #11, #19, #20)	-
1	25-18328	1	Housing	-
2	25-18327	1	Flange	-
3	25-18326	1	Shaft	-
4	25-18325	1	Impeller	-
5	25-18324	1	Cam	-
6	25-18323	1	End Cover	-
7	25-18322	1	Gasket	-
8	25-18321	1	Washer	-
9	25-18320	1	Spacer	-
10	25-18319	2	Clamp	-
11	25-18318	1	Screw	-
12	25-18317	6	Screw	-
13	25-18316	1	Screw	-
14	25-18315	1	Washer	-
15	25-18314	2	Screw	-
16	25-18313	2	Washer	-
17	25-18312	1	Washer	-
18	25-18311	1	Nut	-
19	25-18310	2	Lip Seal	-
20	25-18309	2	Ball Bearing	-
21	25-18308	1	Retaining Ring	-
22	25-18307	1	O-ring	-

Raw Water Pump



COVER STAMPED
 JABSCO #30415-7001
 OR ALASKA DIESEL
 ELECTRIC #25-12007

EARLY PRODUCTION

LIP TYPE WATER SEAL



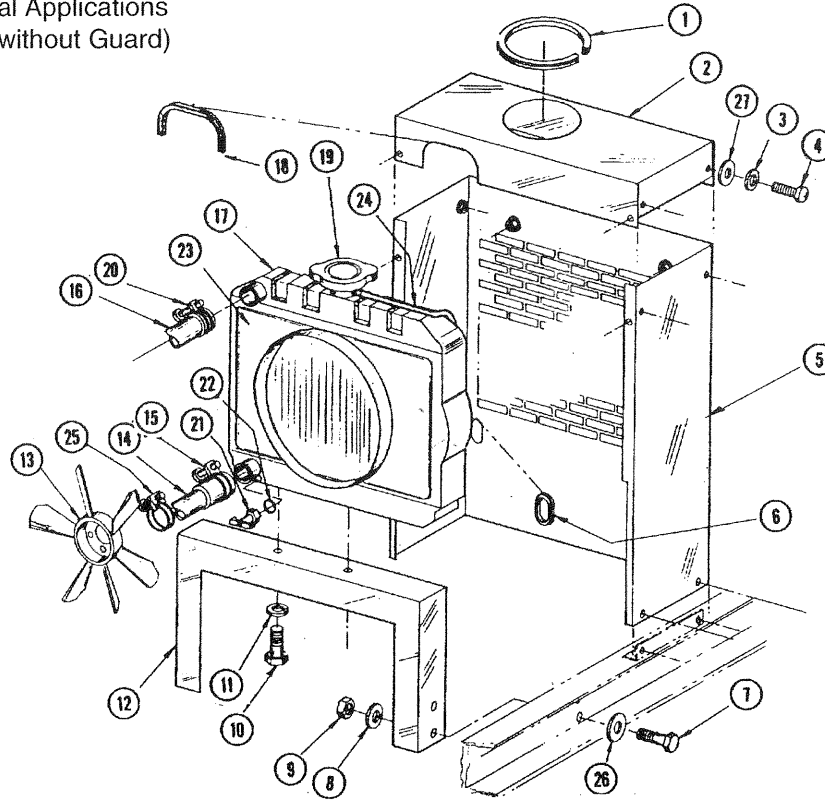
NOW USE MECHANICAL
 TYPE (DIRECT REPLACEMENT)
 ITEM # 9

A-7540/ D-3257

KEY	PART NUMBER	QTY	DESCRIPTION	SERIAL NUMBER
••	25-12007	1	Raw Water Pump (includes all keys)	Up to S/N xxxx-
1	25-12008	1	Housing	-
2	25-12009	1	Impeller (includes key #15)	-
3	25-12011	1	Shaft	-
4	25-12013	1	End Cover	-
5	25-12023	1	Cam	-
6	25-12024	1	Spacer	-
7	25-12026	1	Spacer	-
8	25-12027	2	Bearing	-
9	25-12066	1	Mechanical Seal	-
10	25-12028	1	Seal, Lip Type	-
11	25-12029	1	Snap Ring	-
12	25-12031	1	O-Ring	-
13	25-12032	1	O-Ring	-
14	25-12033	7	Capscrew, Hex Head M4 x 0.7 x 10 mm S/S	-
15			Set Screw #10-32 x 1"	-
16	14-00711	1	Hex Nut M8 x 1.25	-
17	15-00702	1	Lock Washer, Helical M8	-
18	15-00023	6	Lock Washer, Helical M4	-
			*Not Available Separately	

Radiator & Mounting

Early Industrial Applications
(Fan Shroud without Guard)

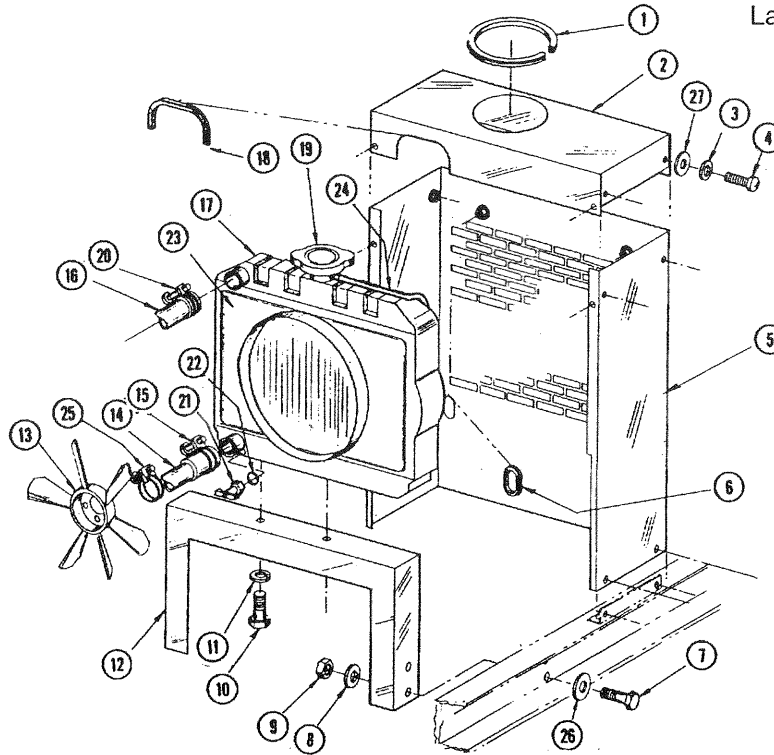


A-3207/ C-1930

KEY	PART NUMBER	QTY	DESCRIPTION	SERIAL NUMBER
1	00-18302	1	Grommet	-
2	39-18302	1	Shroud Cover	"
3	15-01132	10	Lock Washer M6	"
4	12-00097	10	Capscrew, Hex Head, M6 x 1.0 x 12 mm	"
5	39-18301	1	Radiator Shroud	"
6	00-18303	1	Grommet	"
7	12-00711	4	Capscrew, Hex Head M8 x 1.25 x 20 mm	"
8	15-00702	4	Lock Washer, M8	"
9	14-00009	4	Nut M8 x 1.25	"
10	12-00835	2	Capscrew, Hex Head M10 x 1.25 x 25 mm	"
11	15-00802	2	Lock Washer, M10	"
12	23-18301	1	Bracket, Radiator Support	"
13	145306600	1	Fan	"
14	408160010	1	Hose, Radiator Outlet	"
15	19-00020	1	Hose Clamp #20	"
16	408160020	1	Hose, Radiator Inlet	"
17	145506270	1	Radiator Assembly (includes Keys #19, #21 - #22 & #24)	"
18	00-18304	1	Grommet	"
19	145546060	1	Radiator Cap	"
20	19-00012	2	Hose Clamp #12	"
21	408130010	1	Drain Cock	"
22	052100070	1	O-ring	"
23	145546440	1	Fan Shroud	"
24	408120010	1	Overflow Hose	"
25	067100036	1	Hose Clamp	"
26	15-00701	4	Flat Washer M8	"
27	15-00008	10	Flat Washer M6	"

Radiator & Mounting

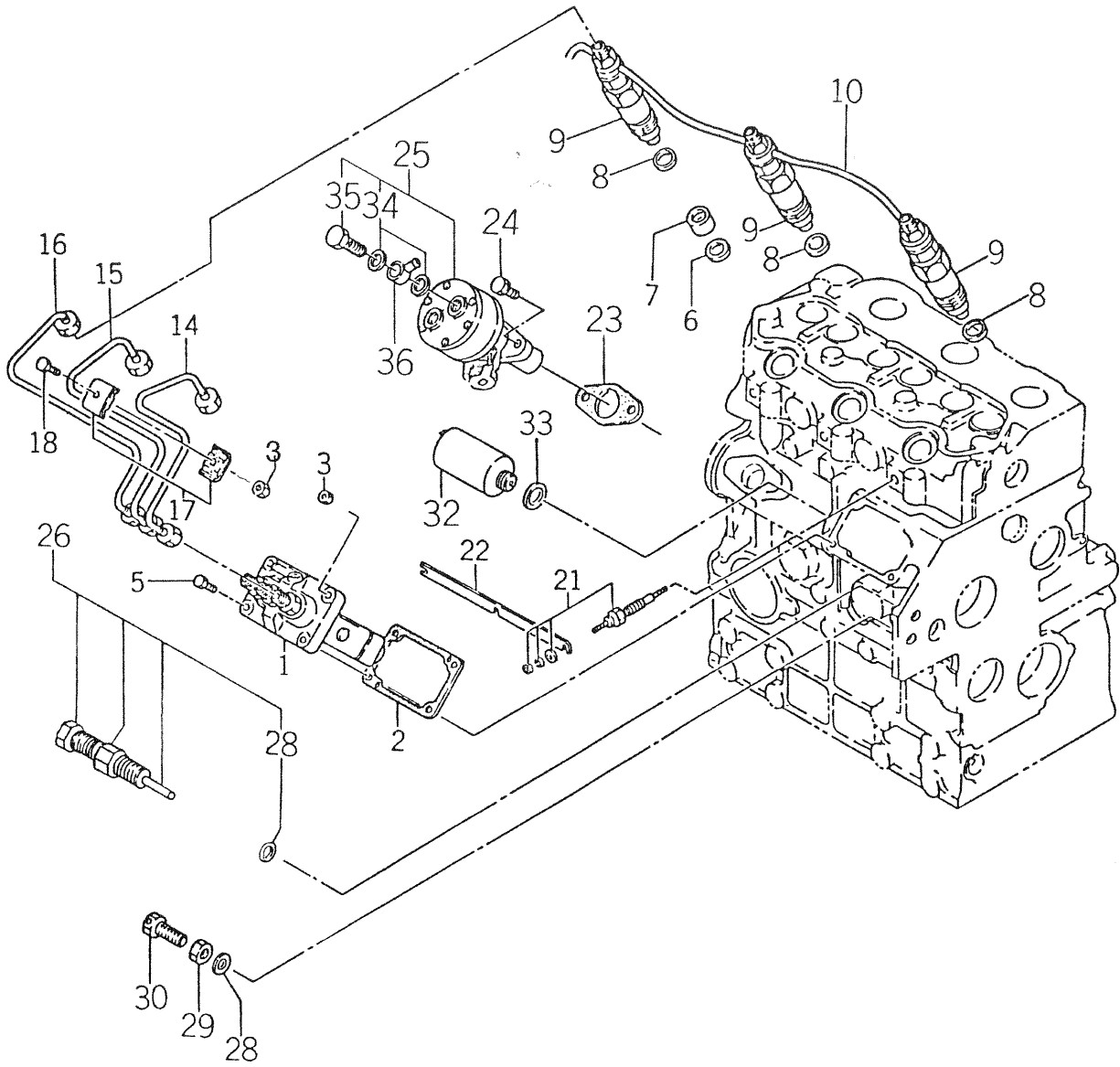
Late Industrial Applications
(Fan Shroud with Guard)



A-6671 / C-1930

KEY	PART NUMBER	QTY	DESCRIPTION	SERIAL NUMBER
1	00-18302	1	Grommet	-
2	39-18302	1	Shroud Cover	-
3	15-01132	10	Lock Washer M6	-
4	12-00097	10	Capscrew, Hex Head, M6 x 1.0 x 12 mm	-
5	39-18301	1	Radiator Shroud	-
6	00-18303	1	Grommet	-
7	12-00711	4	Capscrew, Hex Head M8 x 1.25 x 20 mm	-
8	15-00702	4	Lock Washer, M8	-
9	14-00009	4	Nut M8 x 1.25	-
10	12-00835	2	Capscrew, Hex Head M10 x 1.25 x 25 mm	-
11	15-00802	2	Lock Washer, M10	-
12	23-18301	1	Bracket, Radiator Support	-
13	145306600	1	Fan, Blower	-
14	145536520	1	Hose, Radiator Outlet	-
15	19-00016	1	Hose Clamp #16	-
16	145536510	1	Hose, Radiator Inlet	-
17	145506280	1	Radiator Assembly (includes keys #19 & #21 - #24)	-
18	00-18304	1	Grommet	-
19	145546060	1	Radiator Cap	-
20	19-00020	2	Hose Clamp #20	-
21	408130010	1	Drain Cock	-
22	052100070	1	O-ring	-
23	145546450	1	Fan Shroud with Guard	-
24	408120010	1	Overflow Hose	-
25	19-00012	2	Hose Clamp #12	-
26	15-00701	4	Flat Washer M8	-
27	15-00008	10	Flat Washer M6	-
28	145386920	1	Fan Spacer	-
29	011310635	4	Capscrew, Hex Head M6 x 1.0 x 35mm (for fan installation - not shown)	-

General Arrangement

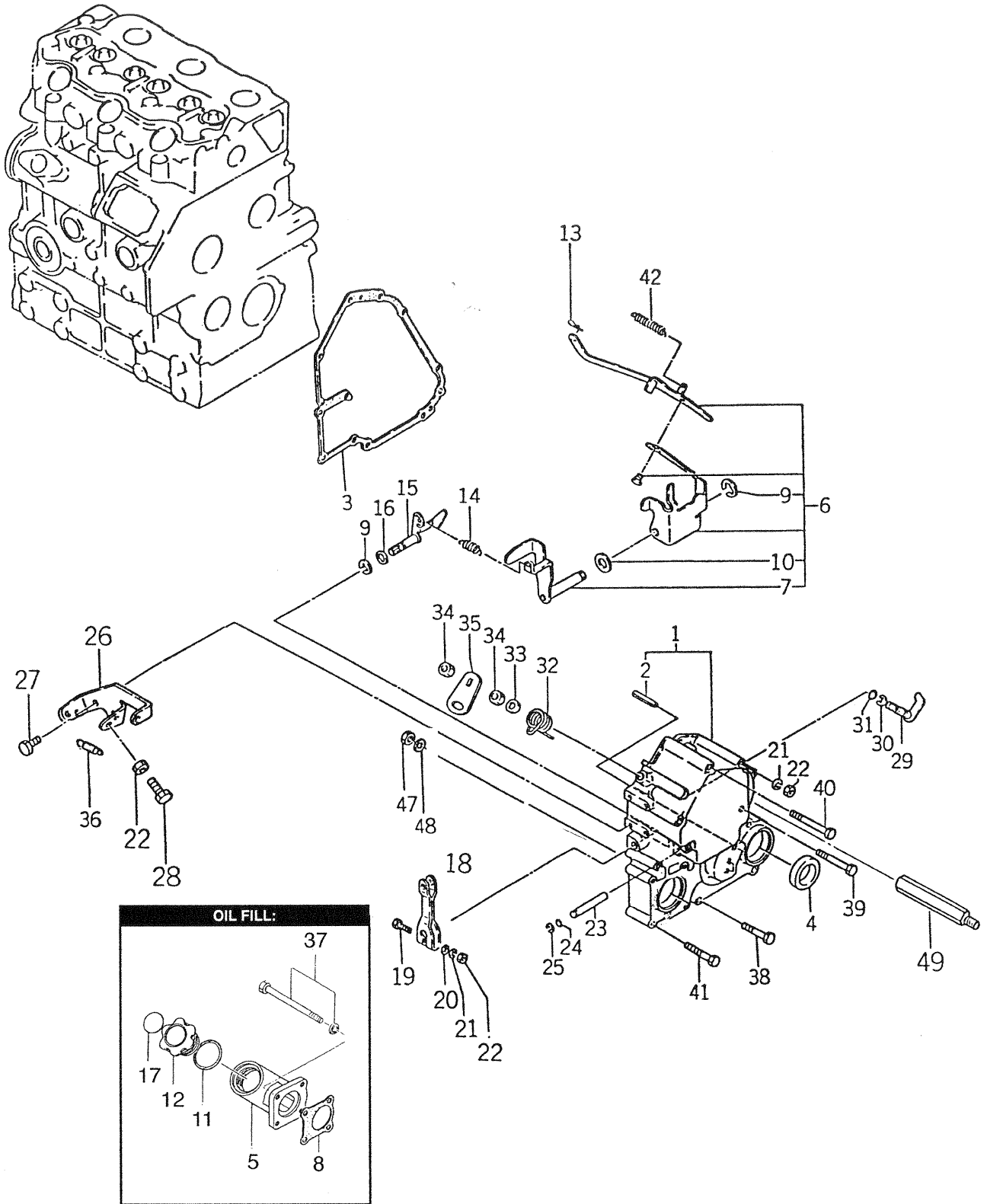


General Arrangement

KEY	PART NUMBER	QTY	DESCRIPTION	SERIAL NUMBER
1	131017390	1	Injection Pump Assembly (see detail page)	-
2	131426300	1	Shim Set	-
	131437590	**	Shim, 0.2 mm	-
	131437600	**	Shim, 0.3 mm	-
	131437610	**	Shim, 0.4 mm	-
	131437620	**	Shim, 0.5 mm	-
3	023100006	4	Hex Nut, Flanged M6 x 1.0	-
5	12-01131	2	Capscrew, Hex Head M6 x 1.0 x 20 mm	-
6	198996090	3	Gasket	-
7	111316280	3	Insert	-
8	131426200	3	Gasket	-
9	131406350	3	Fuel Injector (see detail page)	-
10	131606280	1	Return Line	-
14	131507010	1	Injection Line #1	-
15	131507020	1	Injection Line #2	-
16	131507030	1	Injection Line #3	-
17	199106020	4	Clamp Assembly	-
18	12-00031	2	Capscrew, Hex Head M6 x 1.0 x 25 mm	-
21	185366060	3	Glow Plug, 12 Volt	-
22	185376170	1	Connector	-
23	130996070	1	Gasket	-
24	011140614	2	Capscrew, Hex Head Phillips M6 x 1.0 x 14 mm	-
25	130506140	1	Fuel Feed Pump Assembly (see detail page)	-
26	131046160	1	Smoke Set (includes key #28)	-
28	025100010	2	Seal Washer	-
29	023109002	1	Nut	-
30	010109271	1	Bolt	-
32	185206082	1	Stop Solenoid, 12 Volt - Standard Ground	-
	185206190	1	Stop Solenoid, 12 Volt - Isolated Ground	-
33	025100016	1	Seal Washer	-
34	130516069	4	Gasket	-
35	130516092	2	Joint Bolt	-
36	198486840	1	Connector	-

**As required.

Governor and Timing Gear Case



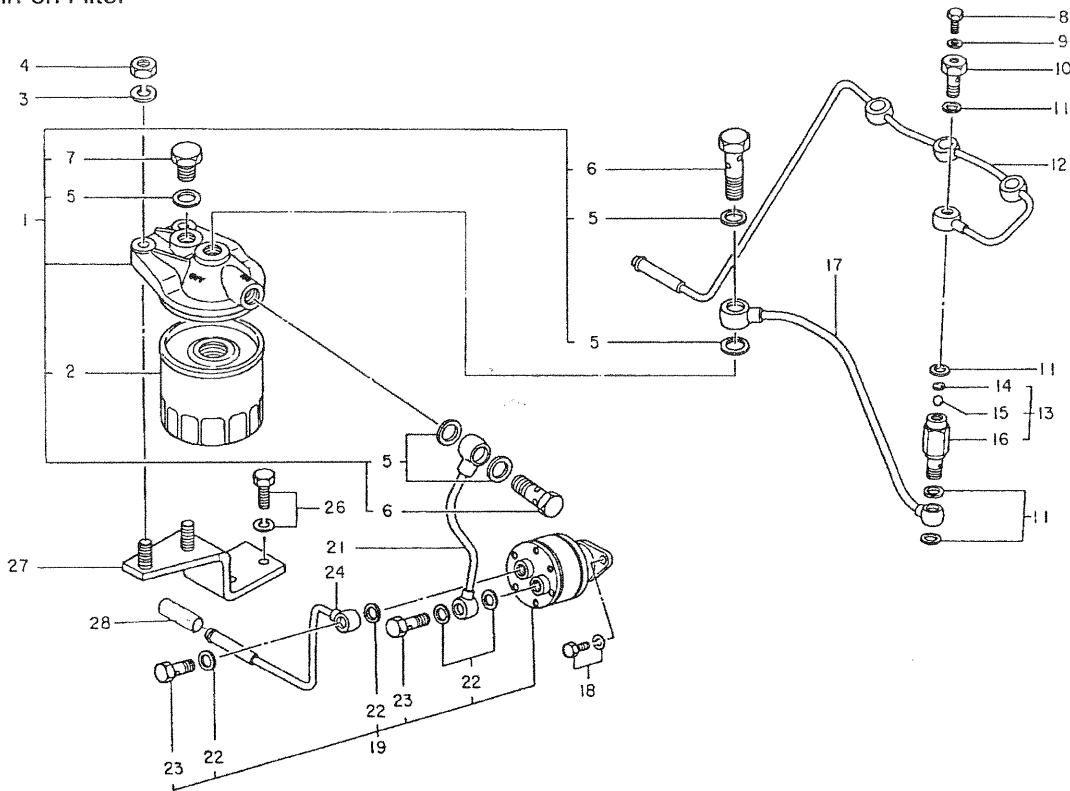
Governor and Timing Gear Case

KEY	PART NUMBER	QTY	DESCRIPTION	SERIAL NUMBER
1	165106150	1	Timing Gear Case (includes key #2)	-
2	030300414	1	Spring Pin	-
3	165996410	1	Gasket	-
4	198636090	1	Oil Seal	-
5	110766210	1	Oil Filler	-
6	125046250	1	Governor Lever Assembly (includes keys #7, #9, and #10)	-
7	125406071	1	Tension Lever	-
8	165996420	1	Gasket	-
9	036800008	2	Snap Ring	-
10	026200010	1	Washer	-
11	052100400	1	O-ring	-
12	198436010	1	Cap	-
13	031100004	1	Snap Pin	-
14	198217350	1	Spring	-
15	125156250	1	Arm (formerly #125256170)	-
16	052100070	1	O-ring	-
17	190196340	1	Decal	-
18	125416020	1	Governor Lever	-
19	010100630	1	Bolt	-
20	026100006	1	Washer	-
21	027100006	2	Spring Washer	-
22	020100006	3	Nut	-
23	125116131	1	Shaft (formerly #125116130 Single O-ring)	-
24	052100030	**	O-ring	-
25	036800025	1	Snap Ring	-
26	125976120	1	Bracket	-
27	011140614	2	Bolt	-
28	012800640	1	Bolt	-
29	125156180	1	Arm	-
30	036800006	1	Snap Ring	-
31	052100050	1	O-ring	-
32	198216760	1	Spring	-
33	026200008	1	Washer	-
34	020700008	2	Nut	-
35	125176180	1	Stop Lever (formerly #125176080)	-
36	398210070	1	Spring	-
37	010109123	2	Bolt	-
38	011300640	4	Bolt	-
39	011300660	2	Bolt	-
40	011300680	2	Bolt	-
41	010310850	2	Bolt	-
42	198216731	1	Start Spring	-
47	020100008	1	Nut	-
48	027100008	1	Spring Washer	-
49	199436340	1	Bolt, Belt Guard Support (see Electrical Section)	-

**As required

Fuel Filter and Mounting

Marine & late Industrial Units
with Spin-on Filter

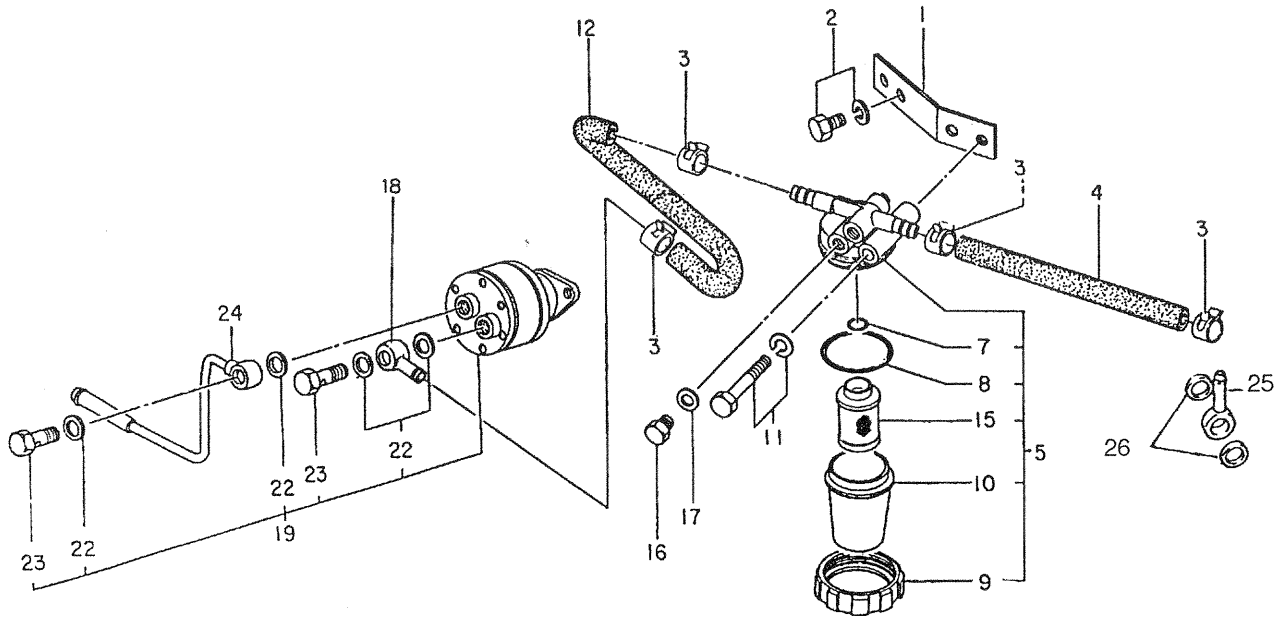


P673: 4-4

KEY	PART NUMBER	QTY	DESCRIPTION	SERIAL NUMBER
1	130306190	1	Fuel Filter Assembly (includes keys #1, #2, #5, #6, and #7)	-
2	24-52020	1	Fuel Filter	-
3	15-00702	2	Lock Washer M8	-
4	14-00711	2	Hex Nut M8 x 1.25	-
5	130326051	5	Gasket	-
6	130436011	2	Banjo Bolt	-
7	130396030	1	Plug	-
8	131236200	1	Screw	-
9	131426190	4	Washer	-
10	131236190	1	Bolt	-
11	131246180	4	Washer	-
12	131606280	1	Return Pipe	-
13	140036140	1	Valve Assembly (includes keys #14 - #16)	-
14	198116230	1	Rubber	-
15	048100010	1	Ball	-
16	198487001	1	Connector	-
17	130556340	1	Pipe	-
18	011140614	2	Capscrew, Hex Head Phillips M6 x 1.0 x 14 mm	-
19	130506140	1	Feed Pump (includes keys #22 & #23 – see detail page)	-
21	130556350	1	Pipe	-
22	130516069	4	Gasket	-
23	130516092	2	Joint Bolt	-
24	130556360	1	Pipe	-
26	011300816	2	Bolt	-
27	131976570	1	Mounting Bracket	-
28	398113230	2	Rubber Grommet	-

Fuel Filter and Mounting

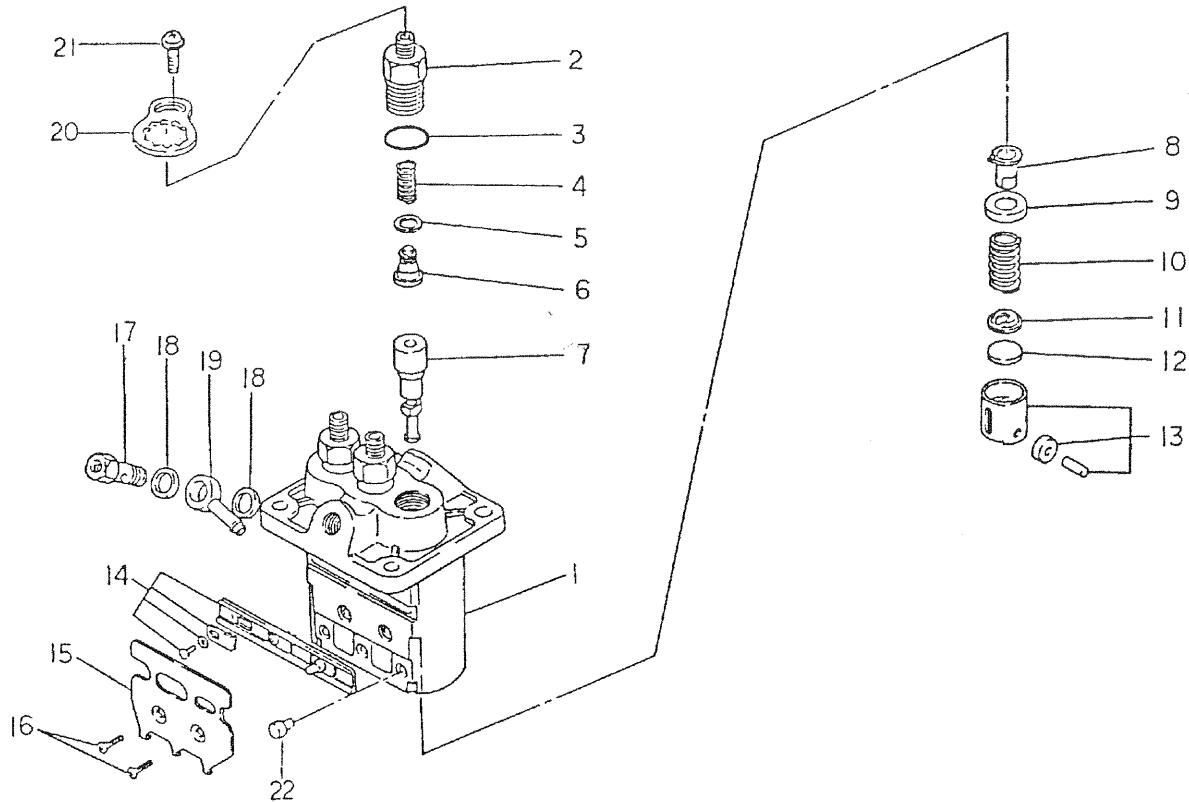
Early Industrial Units
with Cartridge Filter



P673: 4-5

KEY	PART NUMBER	QTY	DESCRIPTION	SERIAL NUMBER
1	140976050	1	Bracket	-
2	011300815	2	Bolt	-
3	398750310	4	Hose Clamp	-
4	068209084	1	Hose	-
5	360700031	1	Fuel Filter (includes keys #7 - #10 & #15)	-
7	052100110	1	O-ring	-
8	052100400	1	O-ring	-
9	360740010	1	Nut	-
10	360710011	1	Cup	-
11	011300865	1	Bolt	-
12	360750780	1	Hose	-
15	360720020	1	Fuel Filter Element	-
16	360740080	2	Gasket	-
17	360740070	2	Plug	-
18	198486840	1	Connector	-
19	130506140	1	Feed Pump (includes keys #22 & #23 - see parts detail)	-
22	130516069	4	Gasket	-
23	130516092	2	Joint bolt	-
24	130556360	1	Pipe	-
25	131266130	1	Nipple	-
26	131426180	2	Sealing Washer	-

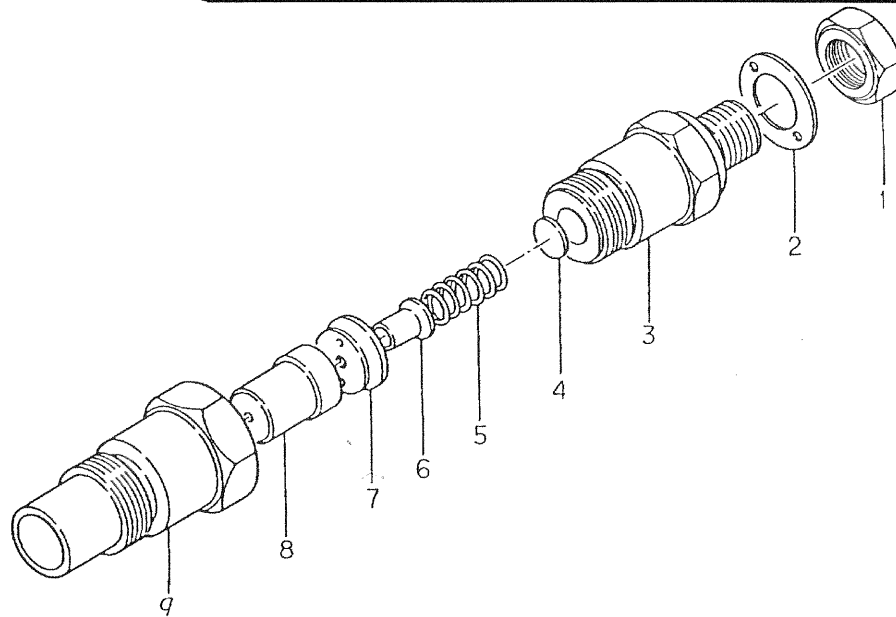
Injection Pump Assembly



P673: 4-7

KEY	PART NUMBER	QTY	DESCRIPTION	SERIAL NUMBER
••	131017390	1	Injection Pump Assembly (includes all keys)	-
1	131296665	1	Housing Subassembly	-
2	131196130	3	Delivery Valve Holder	-
3	131226170	3	O-ring	-
4	131176430	3	Delivery Valve Spring	-
5	131186050	3	Gasket	-
6	131156160	3	Valve Subassembly	-
7	131116410	3	Element Subassembly	-
8	131296951	3	Sleeve Subassembly	-
9	131296620	3	Upper Spring Seat	-
10	131176440	3	Plunger Spring	-
11	131296621	3	Lower Spring Seat	-
15	131296650	1	Bracket	-
16	131136320	2	Screw	-
17	131236190	1	Bolt	-
18	131426180	2	Washer	-
19	131246130	1	Nipple	-
20	131296662	3	Shim	-
21	131136330	3	Screw	-
22	131296651	3	Pin	-

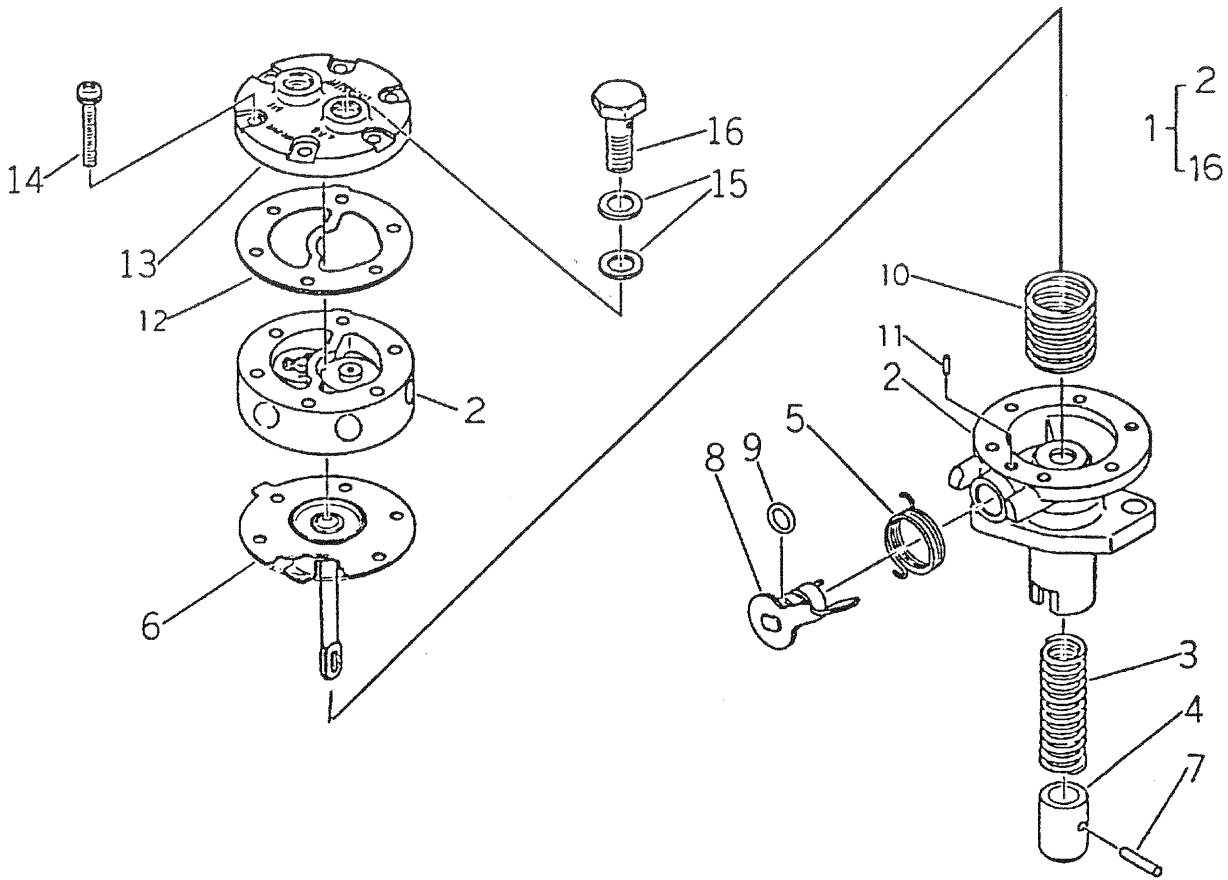
Injector Assembly



P673: 4-8

KEY	PART NUMBER	QTY	DESCRIPTION	SERIAL NUMBER
••	131406350	1	Injector Assembly	-
1	131446069	1	Nut	-
2	131426220	1	Washer	-
3	131446073	1	Body Sub-assembly	-
4	131437250	**	Washer: Thickness = 0.90 mm	-
	131437251	**	Washer: Thickness = 0.925 mm	-
	131437252	**	Washer: Thickness = 0.95 mm	-
	131437253	**	Washer: Thickness = 0.975 mm	-
	131437254	**	Washer: Thickness = 1.00 mm	-
	131437255	**	Washer: Thickness = 1.025 mm	-
	131437256	**	Washer: Thickness = 1.05 mm	-
	131437257	**	Washer: Thickness = 1.075 mm	-
	131437258	**	Washer: Thickness = 1.10 mm	-
	131437259	**	Washer: Thickness = 1.125 mm	-
	131437260	**	Washer: Thickness = 1.15 mm	-
	131437261	**	Washer: Thickness = 1.175 mm	-
	131437262	**	Washer: Thickness = 1.20 mm	-
	131437263	**	Washer: Thickness = 1.225 mm	-
	131437264	**	Washer: Thickness = 1.250 mm	-
	131437265	**	Washer: Thickness = 1.275 mm	-
	131437266	**	Washer: Thickness = 1.30 mm	-
	131437267	**	Washer: Thickness = 1.325 mm	-
	131437268	**	Washer: Thickness = 1.35 mm	-
	131437269	**	Washer: Thickness = 1.375 mm	-
	131437270	**	Washer: Thickness = 1.40 mm	-
	131437271	**	Washer: Thickness = 1.425 mm	-
	131437272	**	Washer: Thickness = 1.45 mm	-
5	131446066	1	Spring	-
6	131446070	1	Pin	-
7	131446068	1	Spacer	-
8	131416160	1	Nozzle Assembly	-
9	131446067	1	Nut	-
			**As required	

Fuel Lift Pump

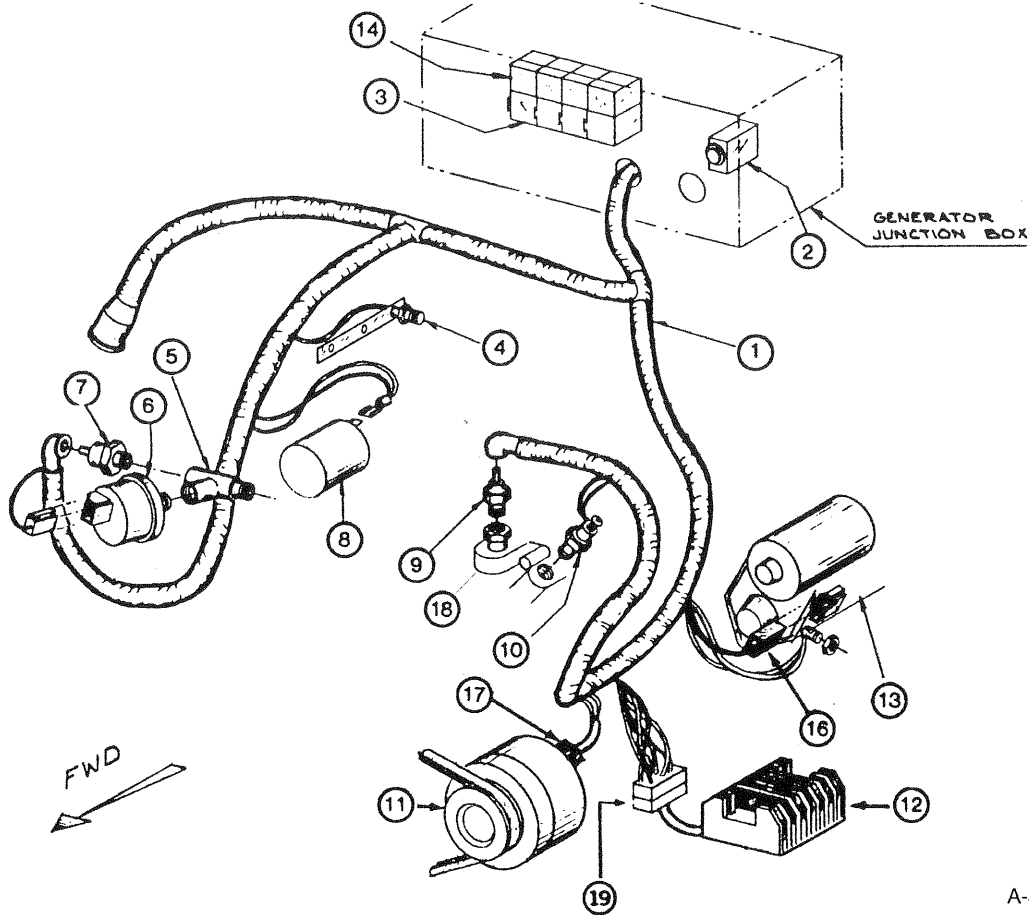


P673: 4-9

KEY	PART NUMBER	QTY	DESCRIPTION	SERIAL NUMBER
1	130506140	1	Fuel Feed Pump Assembly (includes all keys)	-
2	130516080	1	Body	-
3	130516081	1	Spring	-
4	130516082	1	Piston	-
5	130516083	1	Spring	-
6	130516084	1	Diaphragm	-
7	130516085	1	Pin	-
8	130516086	1	Lever	-
9	131226180	1	O-Ring	-
10	130516087	1	Spring	-
11	130516088	1	Guide	-
12	130516089	1	Gasket	-
13	130516090	1	Cap	-
14	130516091	6	Screw	-
15	130516069	4	Gasket	-
16	130516092	2	Banjo Bolt	-

Notes

Engine Electrical - 12 Volt Standard Ground

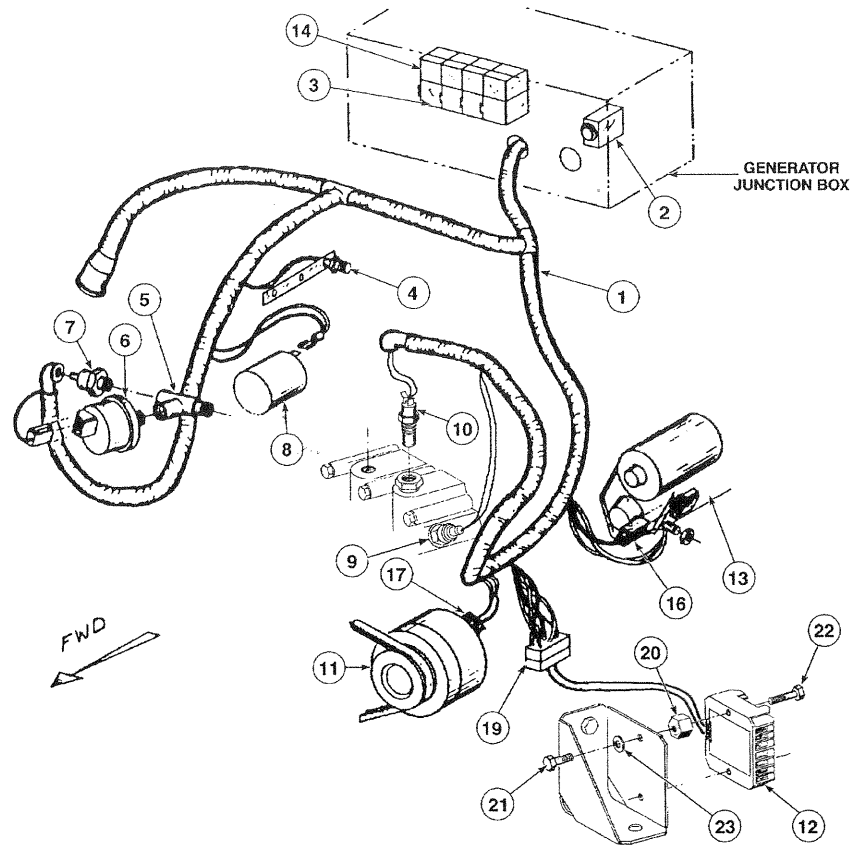


A-3203A / C-1925

KEY	PART NUMBER	QTY	DESCRIPTION	SERIAL NUMBER
1	22-48301	1	Wire Harness	-
2	22-42043	1	Circuit Breaker	-
3	22-41032	4	Relay Base	-
4	185366060	3	Glow Plug	-
5	198486720	1	Female Tee 1/8 BSPT	-
6	22-41016	1	Sender, Oil Pressure - Single Station	-
	22-71016	1	Sender, Oil Pressure - Dual Station	-
7	185246011	1	Switch, Oil Pressure	-
8	185206082	1	Stop Solenoid, 12 volt	-
9	22-42055	1	Sender, Water Temperature - Single Station	-
	22-71026	1	Sender, Water Temperature - Dual Station	-
10	385720110	1	Switch, Water Temperature 95°C (Marine)	-
	385720030	1	Switch, Water Temperature 110°C (Industrial)	-
11	185046210	1	Alternator, 12 volt (see Mounting detail)	-
12	185516061	1	DC Voltage Regulator (formerly #185516060)	-
13	185086440	1	Starter (see Mounting & Parts details)	-
14	22-42047	**	Relay, 12 Volt	-
15	385620010	1	Regulator Connector	-
16	385620150	1	Starter Connector	-
17	385620280	1	Alternator Connector	-
18	21-51099	1	Bushing, 3/8 NPT x 1/4 NPT (required w/Dual Station Sender #9)	-
19	385620010	1	Plug Assembly	-
20	23-48303	1	Bracket, Regulator Mounting (Industrial only – not shown)	-

**As required

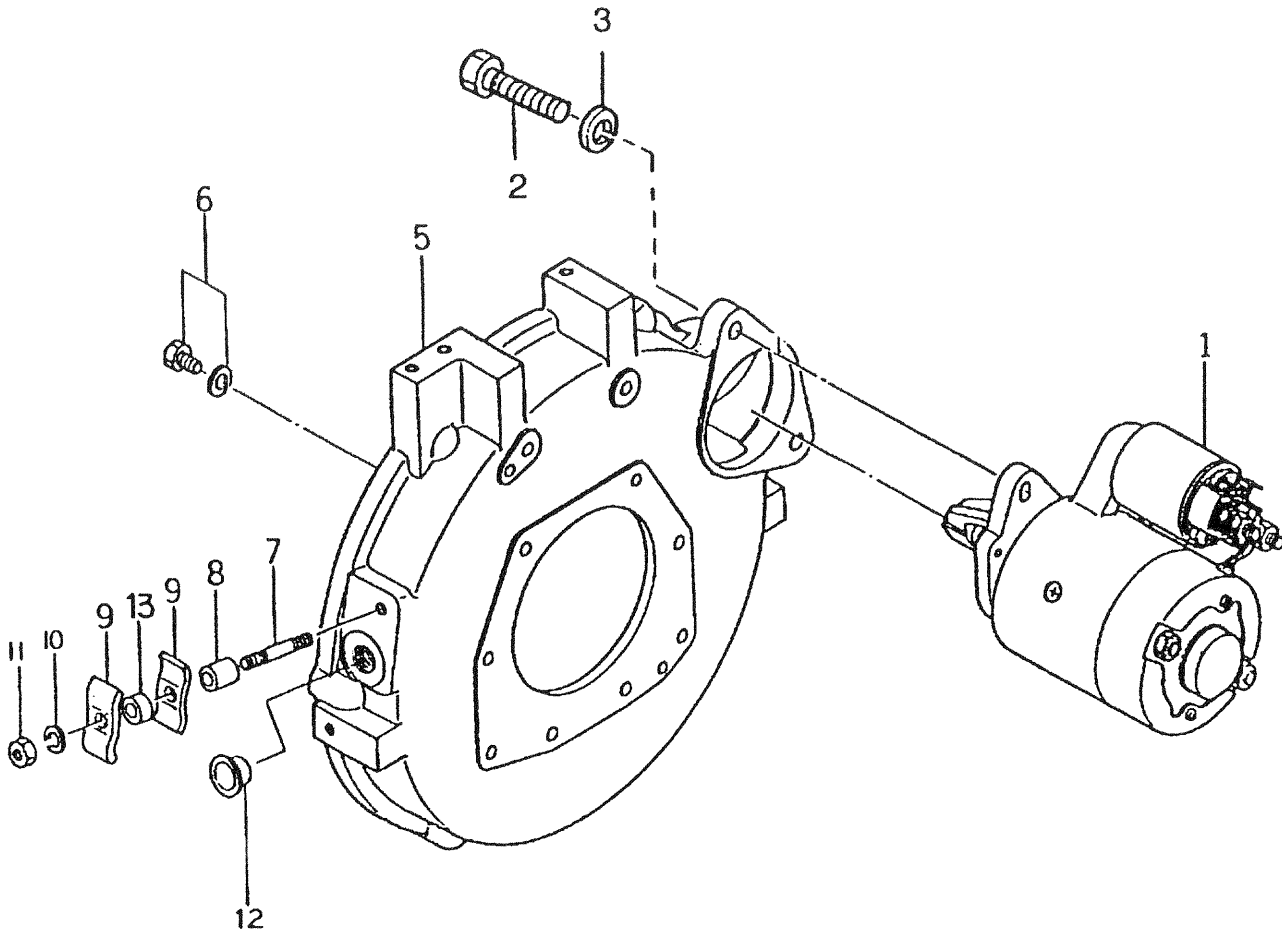
Engine Electrical - 12 Volt Isolated Ground



A-6157

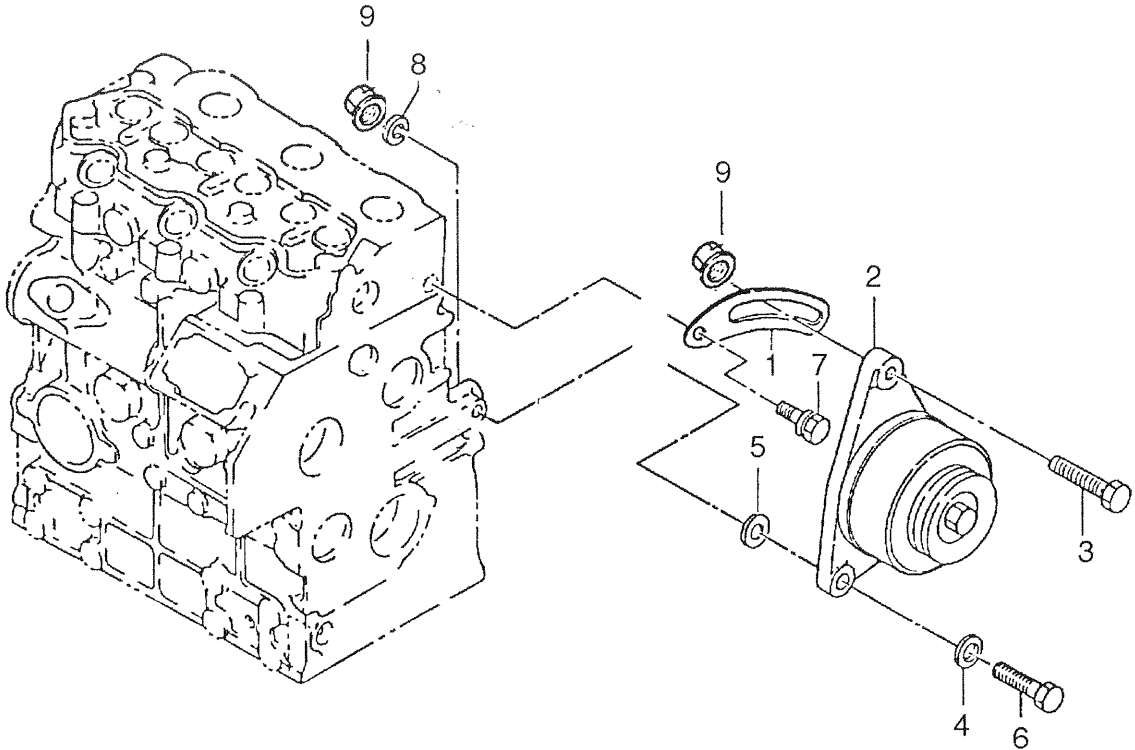
KEY	PART NUMBER	QTY	DESCRIPTION	SERIAL NUMBER
1	22-48301	1	Wire Harness	-
	22-48304	1	Grounding Harness Addition	-
2	22-42043	1	Circuit Breaker	-
3	22-41032	5	Relay Base	-
4	185366060	3	Glow Plug	-
5	198486720	1	Female Tee 1/8 BSPT	-
6	22-42803	1	Sender, Oil Pressure - Single Station	-
	22-74803	1	Sender, Oil Pressure - Dual Station	-
7	22-40236	1	Switch, Oil Pressure	-
8	185206190	1	Stop Solenoid, 12 volt	-
9	22-44810	1	Sender, Water Temperature - Single Station	-
	22-74802	1	Sender, Water Temperature - Dual Station	-
10	22-40358	1	Switch, Water Temperature 95°C	-
11	185046210	1	Alternator, 12 volt (see Mounting detail)	-
12	185516061	1	DC Voltage Regulator	-
13	22-42023	1	Starter (see Mounting detail)	-
14	22-42047	5	Relay, 12 Volt	-
15	385620010	1	Regulator Connector	-
16	385620150	1	Starter Connector	-
17	385620280	1	Alternator Connector	-
18	21-51099	1	Bushing, 3/8 NPT x 1/4 NPT (required w/Dual Station Sender #9)	-
19	385620010	1	Plug Assembly	-
20	33-40001	2	Insulator	-
21	12-00100	2	Capscrew, Hex Head 1/4-20 x 1/2"	-
22	12-00113	2	Capscrew, Hex Head 1/4-20 x 1-1/4"	-
23	15-00103	4	Lock Washer 1/4	-

Flywheel Housing & Starter Mounting



KEY	PART NUMBER	QTY	DESCRIPTION	SERIAL NUMBER
1		1	Starter	-
2	011301040	2	Capscrew, Hex Head, M10 x 1.5 x 40 mm	-
3	027100010	2	Lock Washer M10	-
5	110446470	1	Flywheel Housing	-
6	011300820	7	Capscrew, Hex Head w/Washer M8 x 1.25 x 20 mm	-
7	012100850	1	Stud M8 x 1.25 x 50 mm	-
8	199236690	1	Collar	-
9	399110160	2	Clamp	-
10	15-00702	1	Lock Washer M8	-
11	14-00711	1	Hex Nut M8 x 1.25	-
12	398460091	1	Plug	-
13	026100008	1	Washer	-
14	199216250	1	Spacer	-

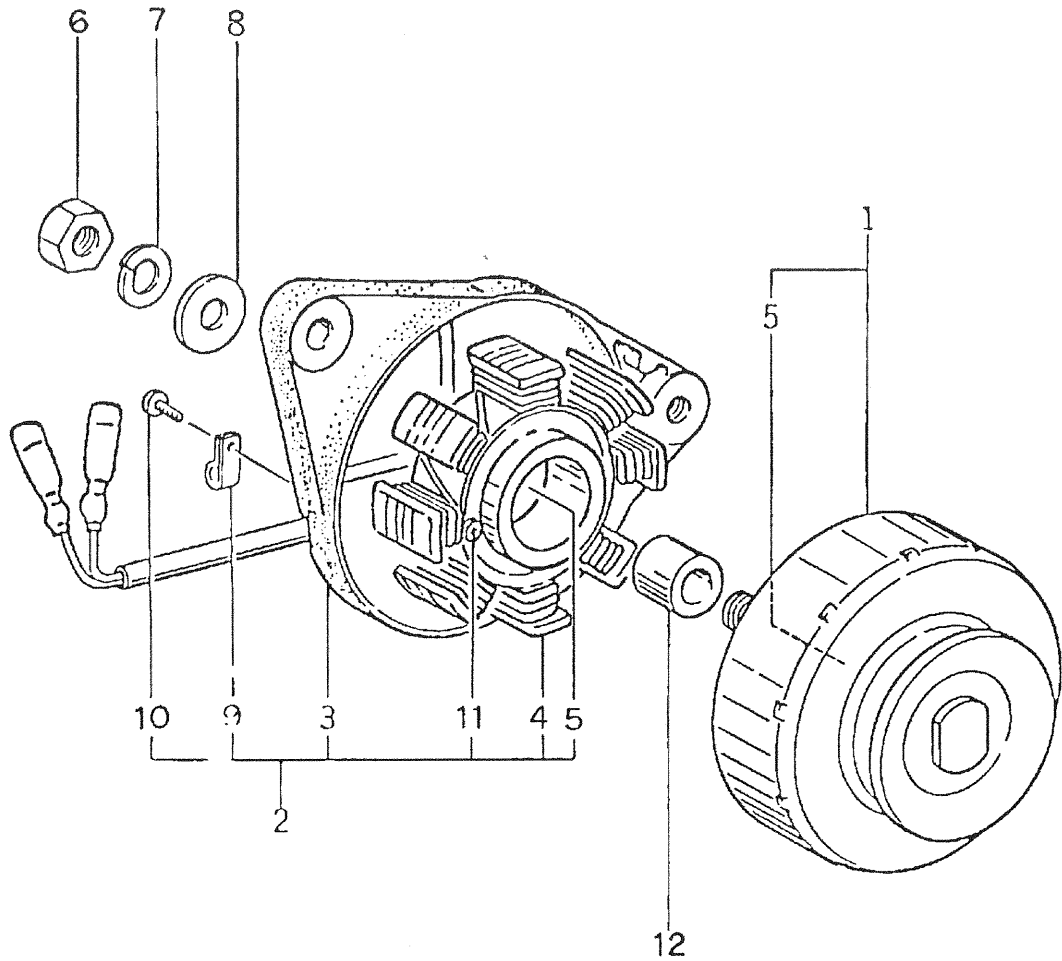
Alternator and Mounting



P673: 5-3

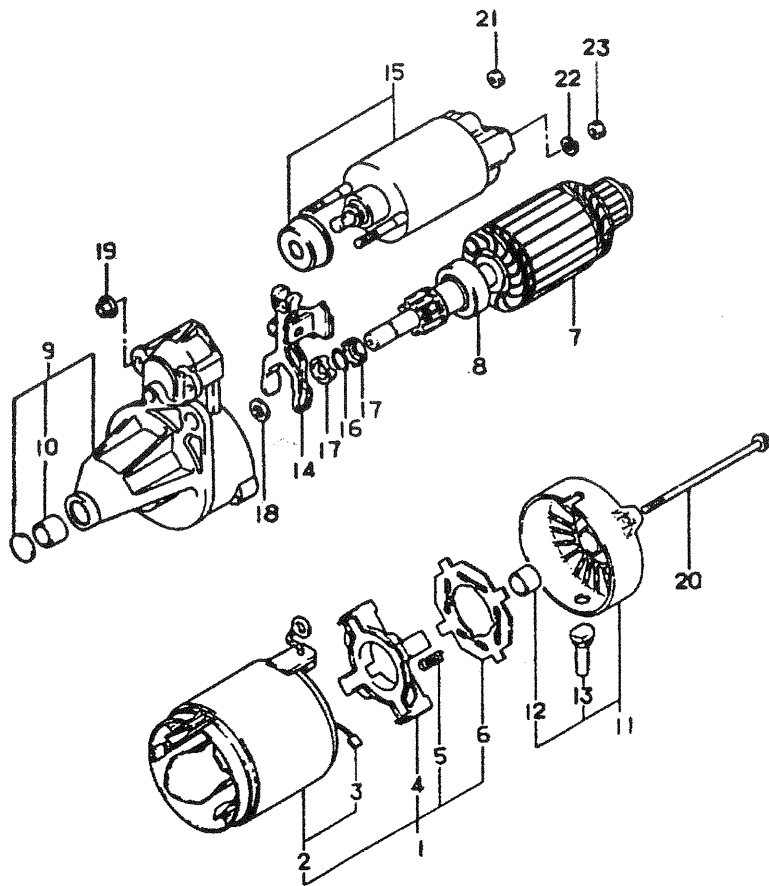
KEY	PART NUMBER	QTY	DESCRIPTION	SERIAL NUMBER
1	185726460	1	Tensioner	-
2	185046210	1	Alternator Assembly (see detail in Electrical Section)	-
3	013100830	1	Capscrew, Hex Head M8 x 1.25 x 30 mm	-
4	15-00701	1	Flat Washer M8	-
5	026109011	1	Washer	-
6	12-00715	1	Capscrew, Hex Head M8 x 1.25 x 50 mm	-
7	011500816	1	Capscrew, Hex Head w/Washer M8 x 1.25 x 16 mm	-
8	15-00702	1	Lock Washer M8	-
9	023100008	2	Hex Nut, Flanged M8 x 1.25	-

Alternator Assembly



KEY	PART NUMBER	QTY	DESCRIPTION	SERIAL NUMBER
••	185046210	1	Alternator Assembly (includes all keys)	-
1	185446219	1	Rotor/Pulley Assembly (includes key #5)	-
2	185446217	1	Stator Assembly (includes keys #3 - #5, #9 - #10)	-
3	185716200	1	Plate	-
4	185446218	1	Stator	-
5	040126201	2	Bearing	-
6	020210010	1	Nut	-
7	027100010	1	Spring Washer	-
8	026100010	1	Washer	-
9	185446220	1	Clamp	-
10	015140408	1	Screw	-
11	015140425	2	Screw	-
12	199236510	1	Collar	-

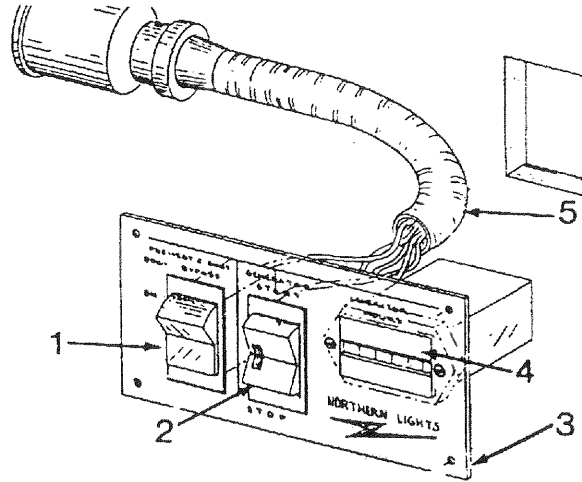
Starter Motor Assembly



P673: 5-5

KEY	PART NUMBER	QTY	DESCRIPTION	SERIAL NUMBER
••	185086440	1	Starter Assembly (includes all keys)	-
1	185846510	1	Field Coil Assembly (includes keys #2 - #6)	-
2	185846511	1	Field Coil (includes key #3)	-
3	185846512	4	Brush	-
4	185416470	1	Brush Holder	-
5	185846513	4	Spring	-
6	185846514	1	Insulator	-
7	185846515	1	Armature Assembly	-
8	185846516	1	Clutch Sub-assembly	-
9	185846517	1	Housing Sub-assembly (includes key #10)	-
10	185846518	1	Bearing	-
11	185846519	1	Frame Assembly (includes keys #12 - #13)	-
12	185846520	1	Bearing	-
13	185846521	1	Cover	-
14	185846522	1	Lever, Starter Drive	-
15	185816300	1	Solenoid	-
16	185846523	1	Snap Ring	-
17	185846524	2	Nut, Pinion Stop	-
18	185846525	1	Washer	-
19	185846447	2	Nut	-
20	185846526	2	Bolt	-
21	185846527	1	Nut	-
22	15-00702	1	Lock Washer M8	-
23	14-00711	1	Hex Nut M8 x 1.25	-

Series 1-B Control Panel

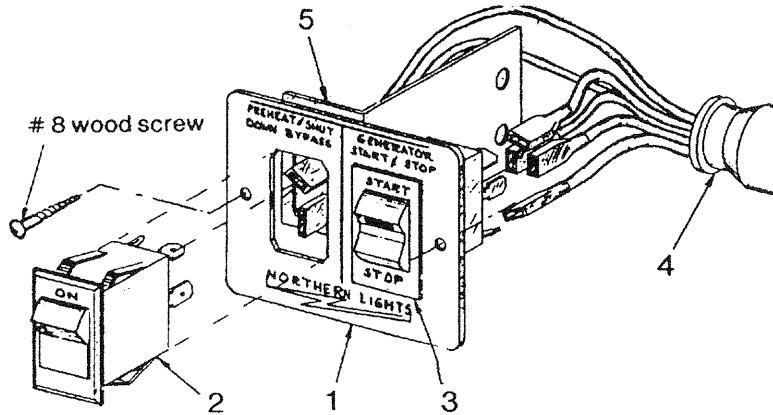


A-3171D / B-2986

KEY	PART NUMBER	QTY	DESCRIPTION	SERIAL NUMBER
**	22-90006	*	Complete Series 1-B 12 Volt Control Panel	-
1	22-90007	**	Preheat/Shutdown-Bypass Switch	-
2	22-90008	**	Engine Control Switch	-
3	28-90003	1	Series 1-B Face Plate	-
4	22-90009	1	Hourmeter	-
5	22-40019	1	Wire Harness	-

NOTES:
 *No longer available. Replaced by #22-92120.
 **Replaced by Service Kit #22-90195.

Series 1 Control Panel

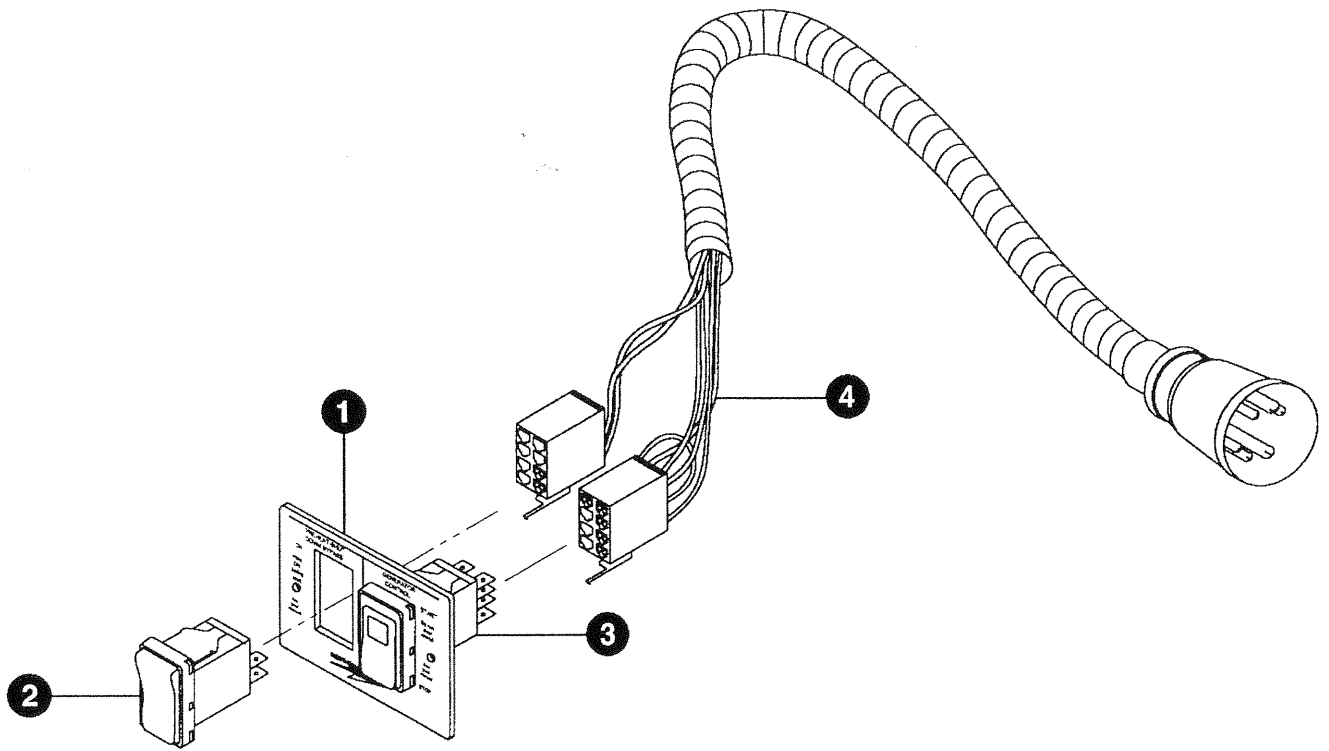


A-2863 / B-2873

KEY	PART NUMBER	QTY	DESCRIPTION	SERIAL NUMBER
**	22-90005	*	Control Panel Complete, Series 1	-
1	00-40013	1	Plate, Series 1 Control Panel	-
2	22-90007	**	Switch, Preheat/Shutdown-Bypass	-
3	22-90008	**	Engine Control Switch	-
4	22-90009	1	Wire Harness	-

NOTES:
 *No longer available. Replaced by 22-92110.
 **Replaced by Service Kit #22-90195.

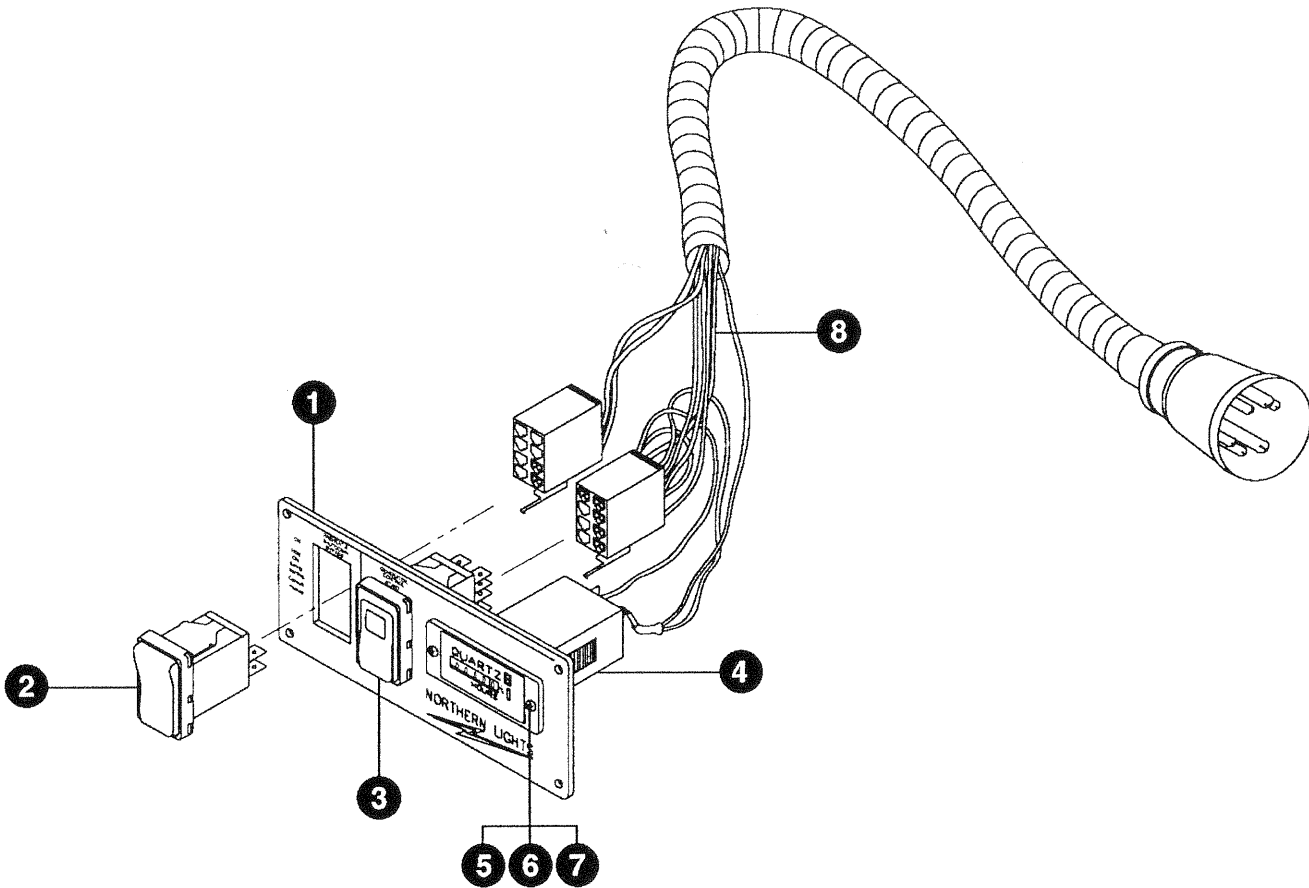
Series 1 Start/Stop Control Panel



A-8551 / B-5970

KEY	PART NUMBER	QTY	DESCRIPTION	SERIAL NUMBER
••	22-92110	1	Complete Series 1 Start/Stop Control Panel	-
1	00-40013	1	Plate	-
2	22-90167	1	Rocker Switch	-
3	22-90168	1	Rocker Switch	-
4	22-42066	1	Wire Harness	-

Series 1-B Start/Stop Control Panel

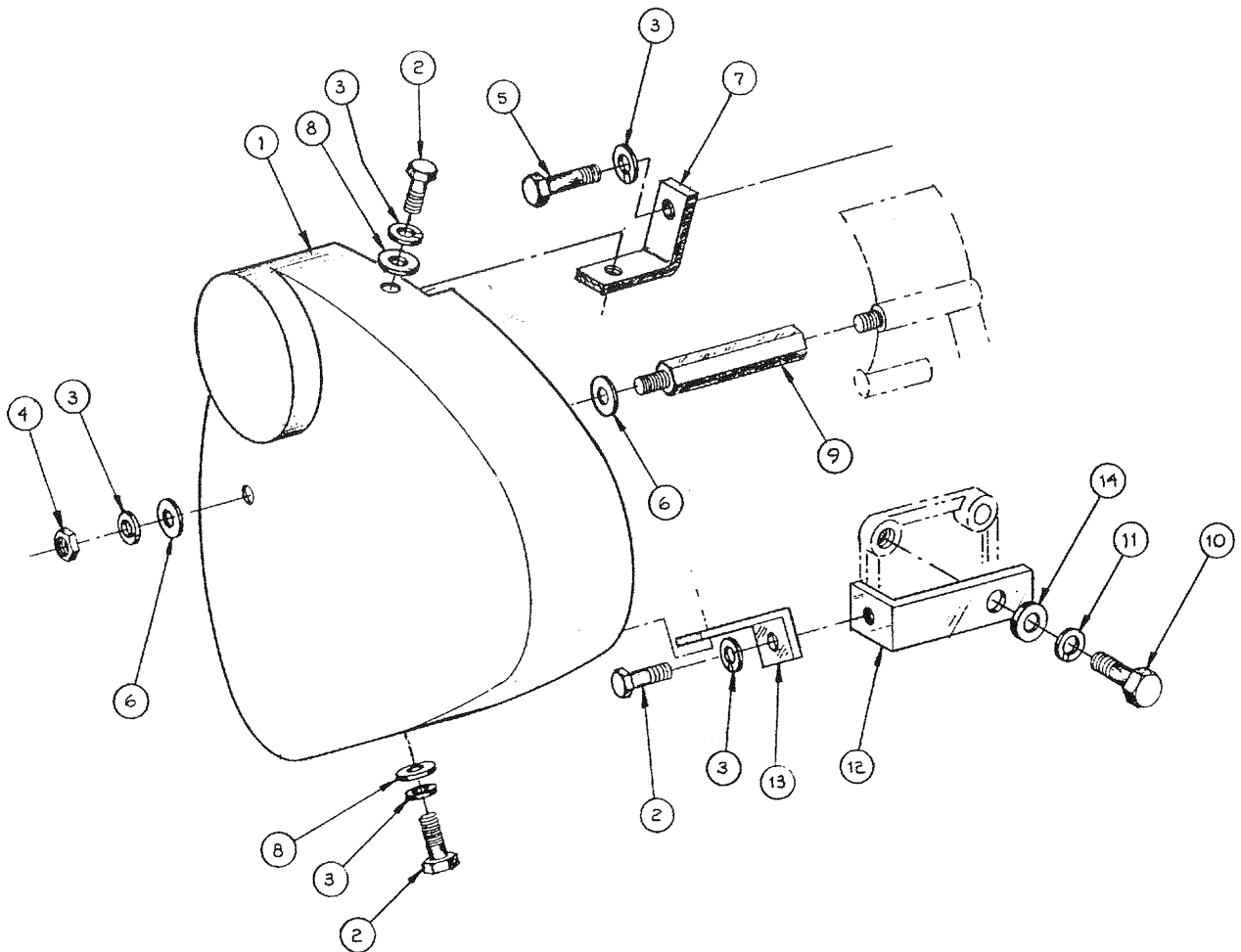


A-8553 / B-5971

KEY	PART NUMBER	QTY	DESCRIPTION	SERIAL NUMBER
••	22-92120	1	Complete Series 1-B Start/Stop Control Panel (includes all keys)	-
1	28-90003	1	Plate	-
2	22-90167	1	Rocker Switch	-
3	22-90168	1	Rocker Switch	-
4	22-90009	1	Hour Meter	-
5	12-00093	2	Machine Screw, Round Head Phillips #6 - 32 x 1/2"	-
6	15-00030	2	Star Washer, Internal #6, Stainless Steel	-
7	14-00015	2	Hex Nut #6 - 32, Stainless Steel	-
8	22-42063	1	Wire harness	-

Belt Guard

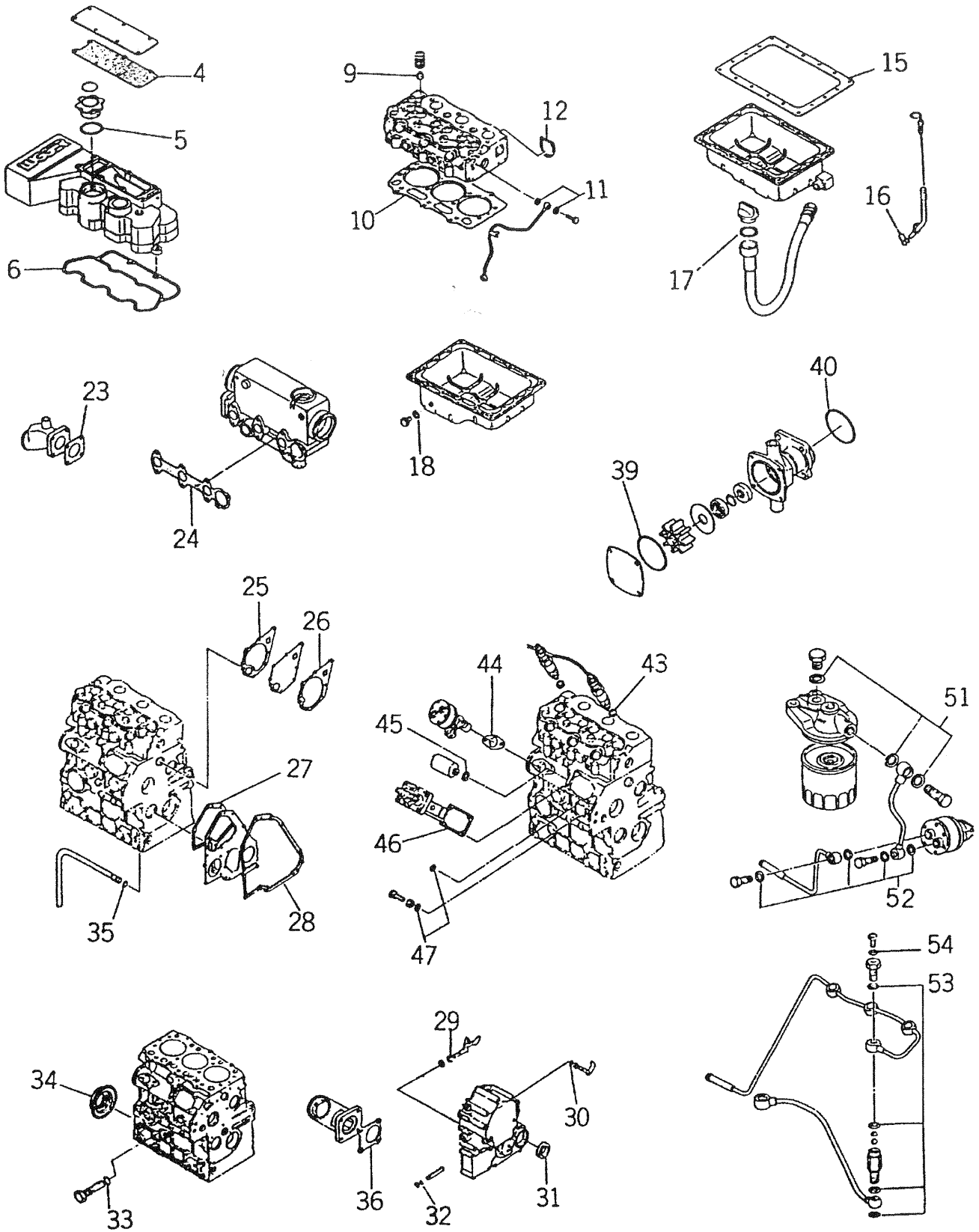
Marine Application



A-3208 / C-1931A

KEY	PART NUMBER	QTY	DESCRIPTION	SERIAL NUMBER
1	00-18301	1	Belt Guard	-
2	12-01131	3	Capscrew, Hex Head M6 x 1.0 x 20 mm	-
3	15-01132	5	Lock Washer, M6	-
4	14-01131	1	Hex Nut M6 x 1.0	-
5	12-01133	1	Capscrew, Hex Head M6 x 1.0 x 60 mm	-
6	15-00019	2	Snubbing Washer	-
7	140976060	1	Bracket	-
8	15-00008	3	Flat Washer M6	-
9	199436340	1	Capscrew, Hex Head M6 x 1.0 x 15 mm (65 mm OAL)	-
10	12-00805	1	Capscrew, Hex Head M10 x 1.5 x 20 mm	-
11	15-00802	1	Lock Washer, M10	-
12	23-08302	1	Bracket	-
13	23-08303	1	Bracket	-
14	15-00805	1	Flat Washer, M10	-

Gasket Sets



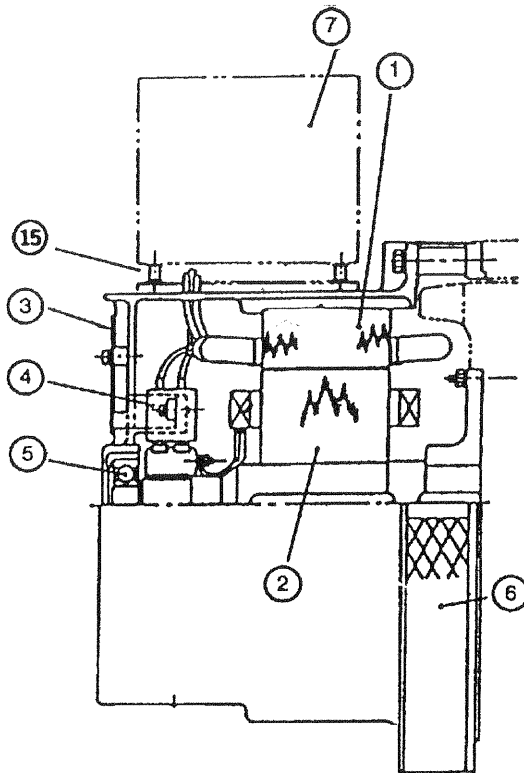
Gasket Sets

KEY	PART NUMBER	QTY	DESCRIPTION	SERIAL NUMBER
**	195906591	1	Gasket Kit (includes all keys)	-
4	135996560	1	Gasket	-
5	052100400	2	O-ring	-
6	111996340	1	Gasket	-
9	120406080	6	Valve Guide Seal	-
10	111147400	1	Head Gasket 0.5 mm	-
11	198996060	4	Gasket	-
15	110996590	1	Gasket	-
16	052100100	2	O-ring	-
17	054109013	1	Gasket	-
23	135996550	1	Gasket	-
24	135996730	1	Gasket	-
25	145996420	1	Gasket	-
26	145996430	1	Gasket	-
27	165996400	1	Gasket	-
28	165996410	1	Gasket	-
29	052100070	1	O-ring	-
30	052100050	1	O-ring	-
31	198636090	1	Oil Seal	-
32	052100030	1	O-ring	-
33	052100150	1	O-ring	-
34	198636080	1	Oil Seal	-
35	052109076	1	O-ring	-
36	165886420	1	Gasket	-
39	052300550	1	O-ring	-
40	052400400	1	O-ring	-
43	131426200	3	Gasket	-
44	130996070	1	Gasket	-
45	025100016	1	Seal Washer	-
46	131426300	1	Shim Set	-
47	025100010	2	Seal Washer	-
51	130326051	5	Gasket	-
52	130516089	4	Gasket	-
53	131426180	4	Washer	-
54	131426190	1	Washer	-

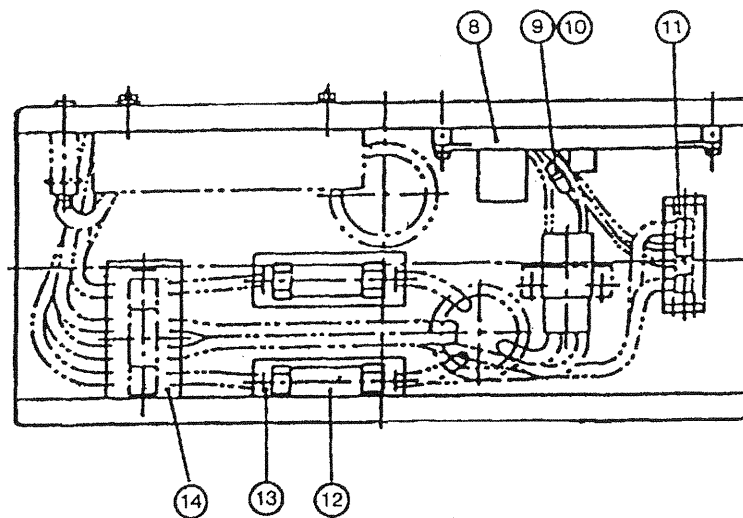
Generator Components

TFII-18C and TFIII-18C

GENERATOR COMPONENTS:



GENERATOR JUNCTION BOX:



Generator Components

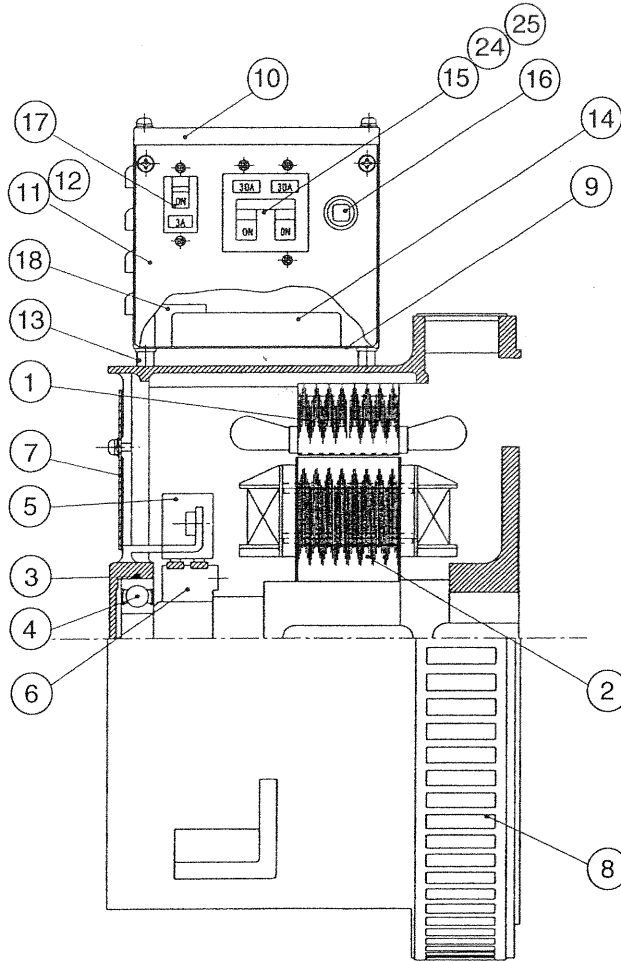
TFII-18C and TFIII-18C

KEY	PART NUMBER	QTY	DESCRIPTION	SERIAL NUMBER
1	22-48001	1	Stator Assembly TFII-18C*	-
	22-48003	1	Stator Assembly TFIII-18C*	-
2	22-48002	1	Rotor Assembly TFII-18C*	-
	22-48004	1	Rotor Assembly TFIII-18C*	-
3	28-68303	1	Maintenance Cover	-
4	22-68304	1	Carbon Brush Assembly	-
5	22-68305	1	Ball Bearing	-
6	39-68306	1	Ventilation Cover	-
7	39-68307	1	Junction Box	-
	39-42009	1	J-Box Cover	-
8	22-68308	1	Automatic Voltage Regulator (for AVR)	-
9	22-68309	1	Fuse 3 Amp	-
10	22-48010	1	Fuse Holder (for above)	-
11	22-68311	1	Control Terminal Strip	-
12	22-48011	1	Fuse 25 Amp 250 Volt	-
13	22-68313	1	Fuse Holder (for above)	-
14	22-68314	1	Output Terminal Strip	-
15	S30180	4	Rubber Shock Mount (can use #33-81070)	-
16	22-42043	1	Circuit Breaker 15A (not shown)	-
			*NOTE: DO NOT combine TFII and TFIII Rotors and Stators.	

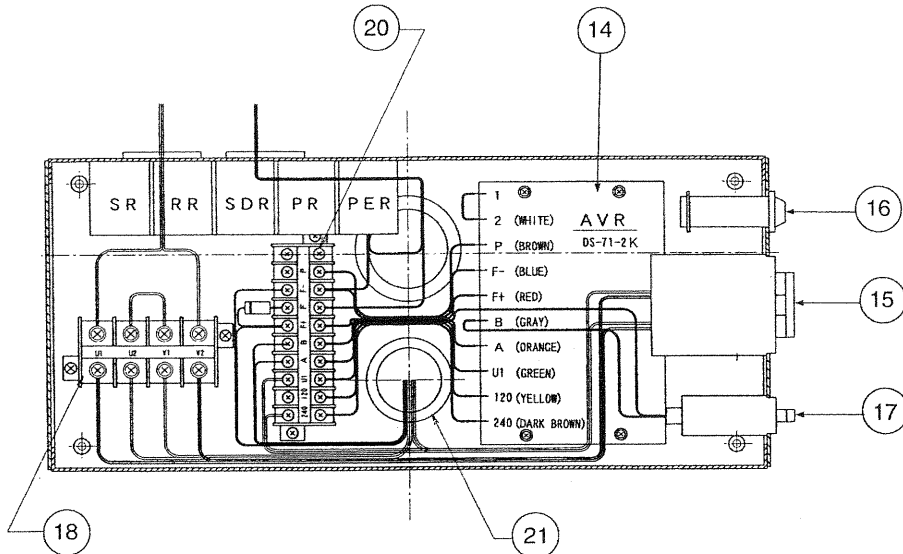
Generator Components

TF-276K

GENERATOR COMPONENTS:



GENERATOR JUNCTION BOX:



Generator Components

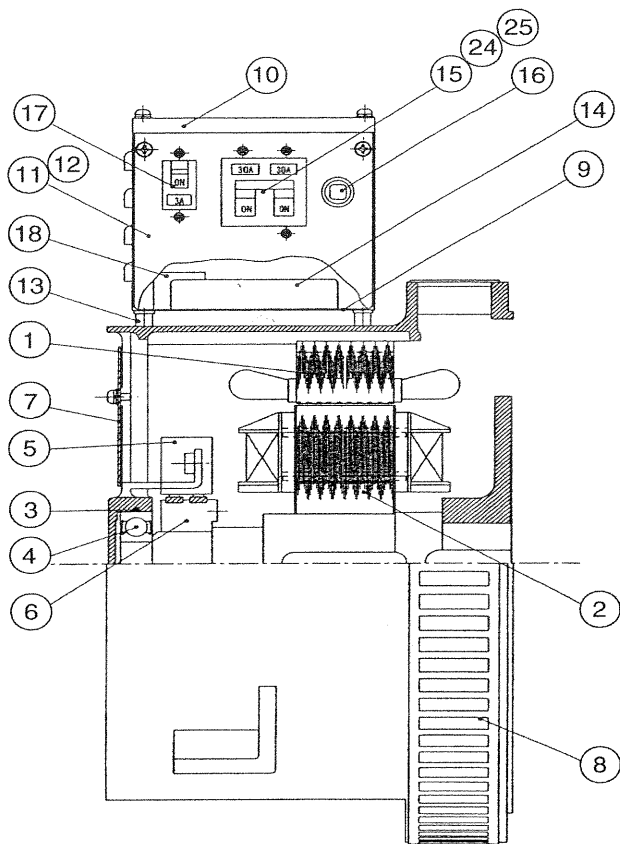
TF-276K

KEY	PART NUMBER	QTY	DESCRIPTION	SERIAL NUMBER
1	WKC-00050-ST	1	Stator Assembly, Single Phase	-
2	WKC-00050-RT	1	Rotor Assembly	-
3	1BG60	1	O-ring	-
4	6305ZZ	1	Ball Bearing	-
5	22-68304	1	Brush Assembly	-
6	GM408032	1	Slip Ring	-
7	4T301-893	1	End Cover	-
8	3T301-618	1	Ventilation Cover - Marine	-
	3T301-567	1	Ventilation Cover - Industrial	-
9	3T301-813-1	1	Terminal Box - Marine	-
	3T301-826-1	1	Terminal Box - Industrial	-
10	4T301-816-1	1	Terminal Box (Top)	-
11	4T301-814	1	Terminal Box (Side) - Marine	-
	4T302-247	1	Terminal Box (Side) - Industrial	-
12	4T301-815	1	Terminal Box (Side)	-
13	33-4000-2	1	Rubber Mount	-
14	22-68003	1	A.C. Voltage Regulator	-
15	22-68007	1	Circuit Protector (Generator)	-
16	22-42043	1	Circuit Protector (Engine)	-
17	22-68004	1	Circuit Protector (A.C. Regulator)	-
18	S30051	1	Terminal Block (Output)	-
19	22-42047	5	Relay	-
20	TS-212-10P	1	Terminal Block	-
21	NG-R	1	Grommet	-
22	GM406467	2	Grommet (not shown)	-
23	22-68001	1	Diode (Excitation Circuit)	-
24	23-68001	1	Bracket, Circuit Protector Mounting	-
25	23-68002	1	Bracket, Circuit Protector Mounting (Aux. Contact Side)	-

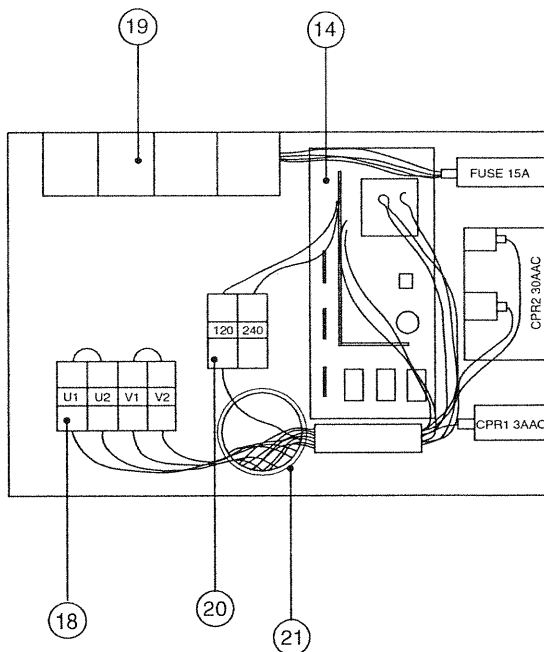
Generator Components

TF-276KM

GENERATOR COMPONENTS:



GENERATOR JUNCTION BOX:



P673: 7-0A/7-0B

Generator Components

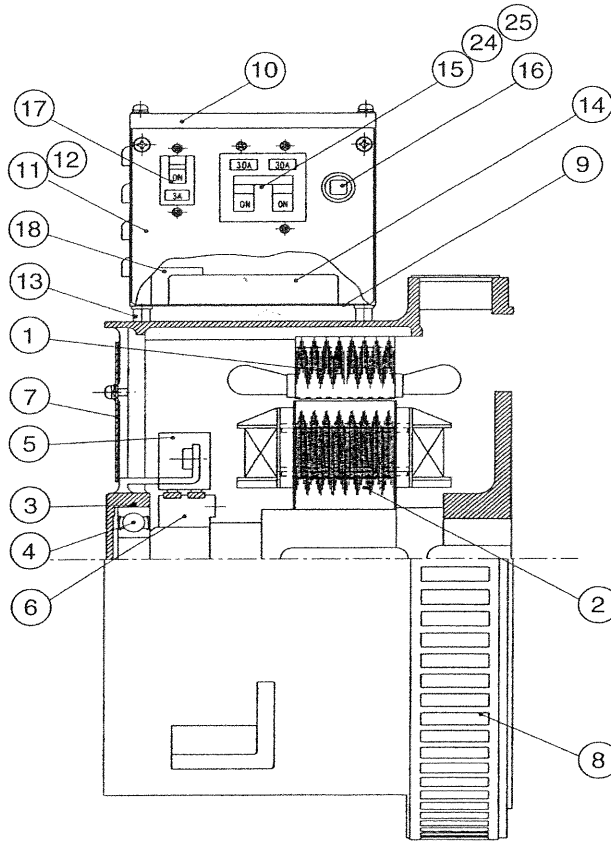
TF-276KM

KEY	PART NUMBER	QTY	DESCRIPTION	SERIAL NUMBER
1	WKC-00050-ST	1	Stator Assembly, Single Phase	-
2	WKC-00050-RT-(MP)	1	Rotor Assembly	-
3	1BG60	1	O-ring	-
4	6305ZZ	1	Ball Bearing	-
5	22-68304	1	Brush Assembly	-
6	GM408032	1	Slip Ring	-
7	4T301-893	1	End Cover	-
8	3T301-618	1	Ventilation Cover - Marine	-
	3T301-567	1	Ventilation Cover - Industrial	-
9	3T301-813-2	1	Terminal Box - Marine	-
	3T301-826-2	1	Terminal Box - Industrial	-
10	4T302-248	1	Terminal Box (Top)	-
11	4T301-814	1	Terminal Box (Side) - Marine	-
	4T302-247	1	Terminal Box (Side) - Industrial	-
12	4T301-815-1	1	Terminal Box (Side)	-
13	33-4000-2	1	Rubber Mount	-
14	22-68006	1	A.C. Voltage Regulator	-
15	22-68007	1	Circuit Protector (Generator)	-
16	22-42043	1	Circuit Protector (Engine)	-
17	22-68004	1	Circuit Protector (A.C. Regulator)	-
18	S30051	1	Terminal Block (Output)	-
19	22-42047	4	Relay	-
20	TS-615-2P	1	Terminal Block	-
21	NG-R	1	Grommet	-
22	GM406467	2	Grommet (not shown)	-
24	23-68001	1	Bracket, Circuit Protector Mounting	-
25	23-68002	1	Bracket, Circuit Protector Mounting (Aux. Contact Side)	-

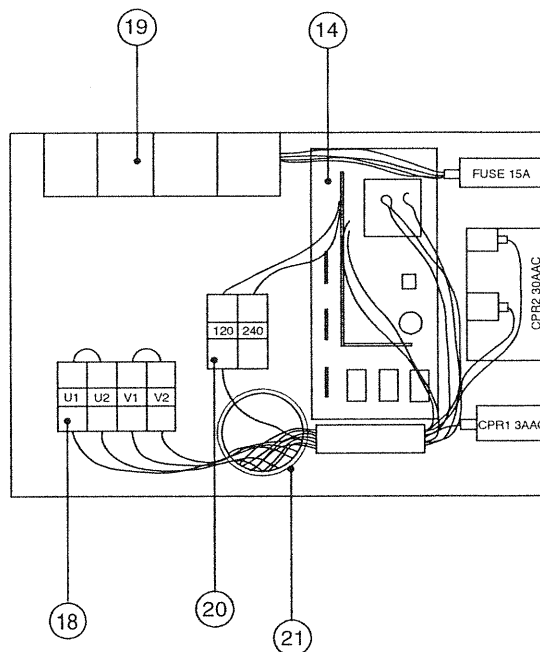
Generator Components

TF-276D

GENERATOR COMPONENTS:



GENERATOR JUNCTION BOX:



P673: 7-0A/7-0B

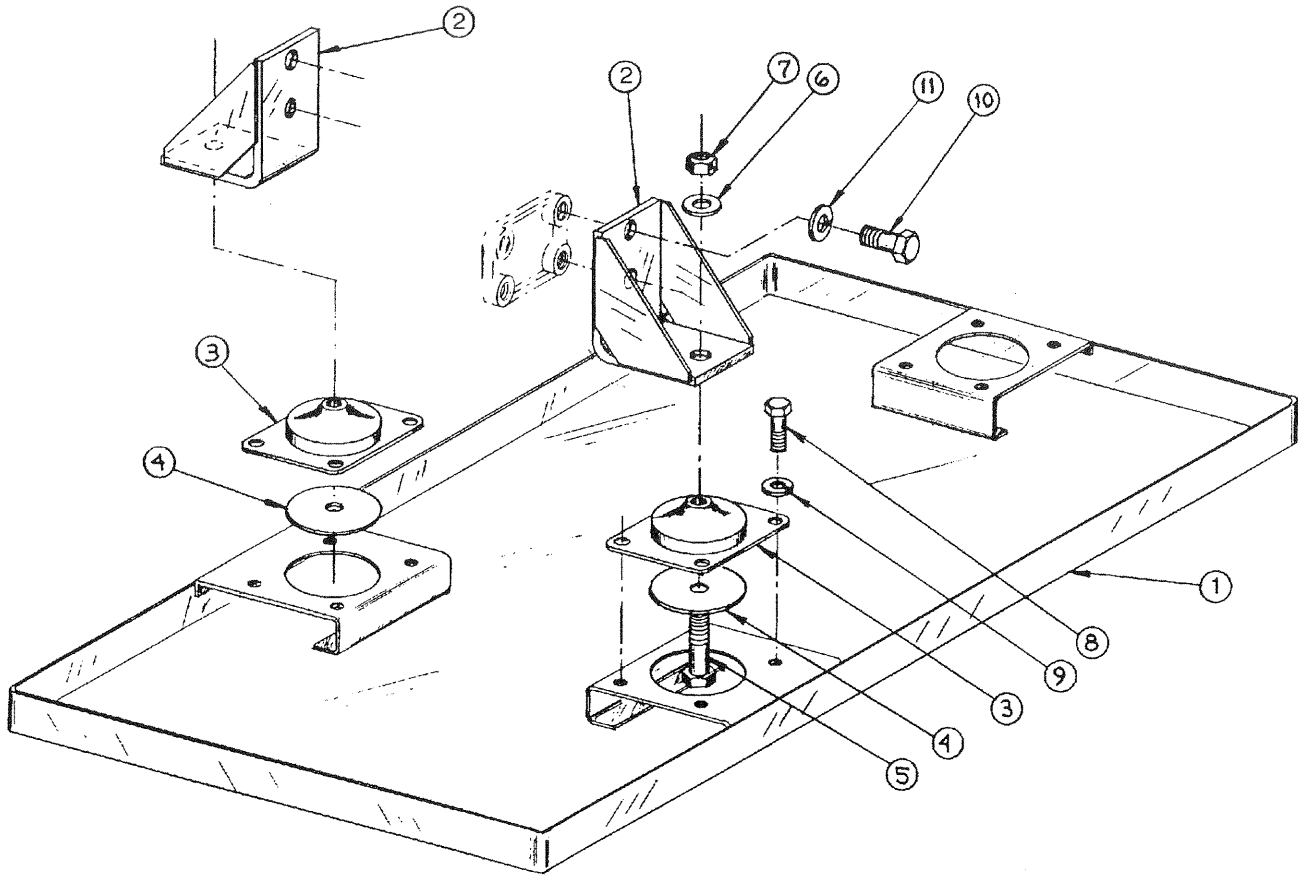
Generator Components

TF-276D

KEY	PART NUMBER	QTY	DESCRIPTION	SERIAL NUMBER
1	WKC-00079-ST	1	Stator Assembly, Single Phase	-
2	WKC-00079-RT	1	Rotor Assembly	-
3	1BG60	1	O-ring	-
4	6305ZZ	1	Ball Bearing	-
5	22-68304	1	Brush Assembly	-
6	GM408032	1	Slip Ring	-
7	4T301-893	1	End Cover	-
8	3T301-618	1	Ventilation Cover - Marine	-
	3T301-567	1	Ventilation Cover - Industrial	-
9	3T301-440	1	Terminal Box - Marine	-
	3T301-826-3	1	Terminal Box - Industrial	-
10	4T302-248	1	Terminal Box (Top)	-
11	4T301-814	1	Terminal Box (Side) - Marine	-
	4T302-247	1	Terminal Box (Side) - Industrial	-
12	4T301-815-1	1	Terminal Box (Side)	-
13	33-4002-1	1	Rubber Mount	-
14	22-68006	1	A.C. Voltage Regulator	-
15	22-68007	1	Circuit Protector (Generator)	-
16	22-42043	1	Circuit Protector (Engine)	-
17	22-68004	1	Circuit Protector (A.C. Regulator)	-
18	TE-K14-4	1	Terminal Block (Output)	-
19	22-42047	4	Relay	-
20	TS-615-2P	1	Terminal Block	-
21	NG-R	1	Grommet	-
22	GM406467	2	Grommet (not shown)	-
24	23-68001	1	Bracket, Circuit Protector Mounting	-
25	23-68002	1	Bracket, Circuit Protector Mounting (Aux. Contact Side)	-

Base Frame

Marine Units with TFII-18 & TFIII-18 Generators



A-3201 / C-1926

KEY	PART NUMBER	QTY	DESCRIPTION	SERIAL NUMBER
1	39-88307	1	Base Frame, Stainless Steel (formerly #39-88300)	-
2	23-88300	2	Engine Mount, Front	-
3	33-83105	3	Platform Mount, 120 lbs.	-
4	15-00020	3	Snubbing Washer	-
5	12-00952	1	Lock Washer, Helical M12 x 1.75 x 55 mm (under generator)	-
	12-00955	2	Capscrew, Hex Head M12 x 1.75 x 60 mm (under engine)	-
6	15-00007	3	Flat Washer, M12	-
7	14-00830	3	Nut, Nylock M12 x 1.75	-
8	12-00712	12	Capscrew, Hex Head M8 x 1.25 x 25 mm	-
9	15-00702	12	Lock Washer, M8	-
10	12-00805	4	Capscrew, Hex Head M10 x 1.5 x 20 mm	-
11	15-00802	4	Lock Washer, M10	-
12	00-88301	4	Hold Down Clip	-
13	12-00718	6	Capscrew, Hex Head M8 x 1.25 x 65 mm	-
14	15-00701	6	Flat Washer, M8	-
15	15-00702	6	Lock Washer, M8	-
16	012110025	4	Stud M10 x 1.25 x 25 mm	-
17	14-00814	4	Hex Nut M10 x 1.25	-
18	15-00802	4	Lock Washer, Helical M10	-

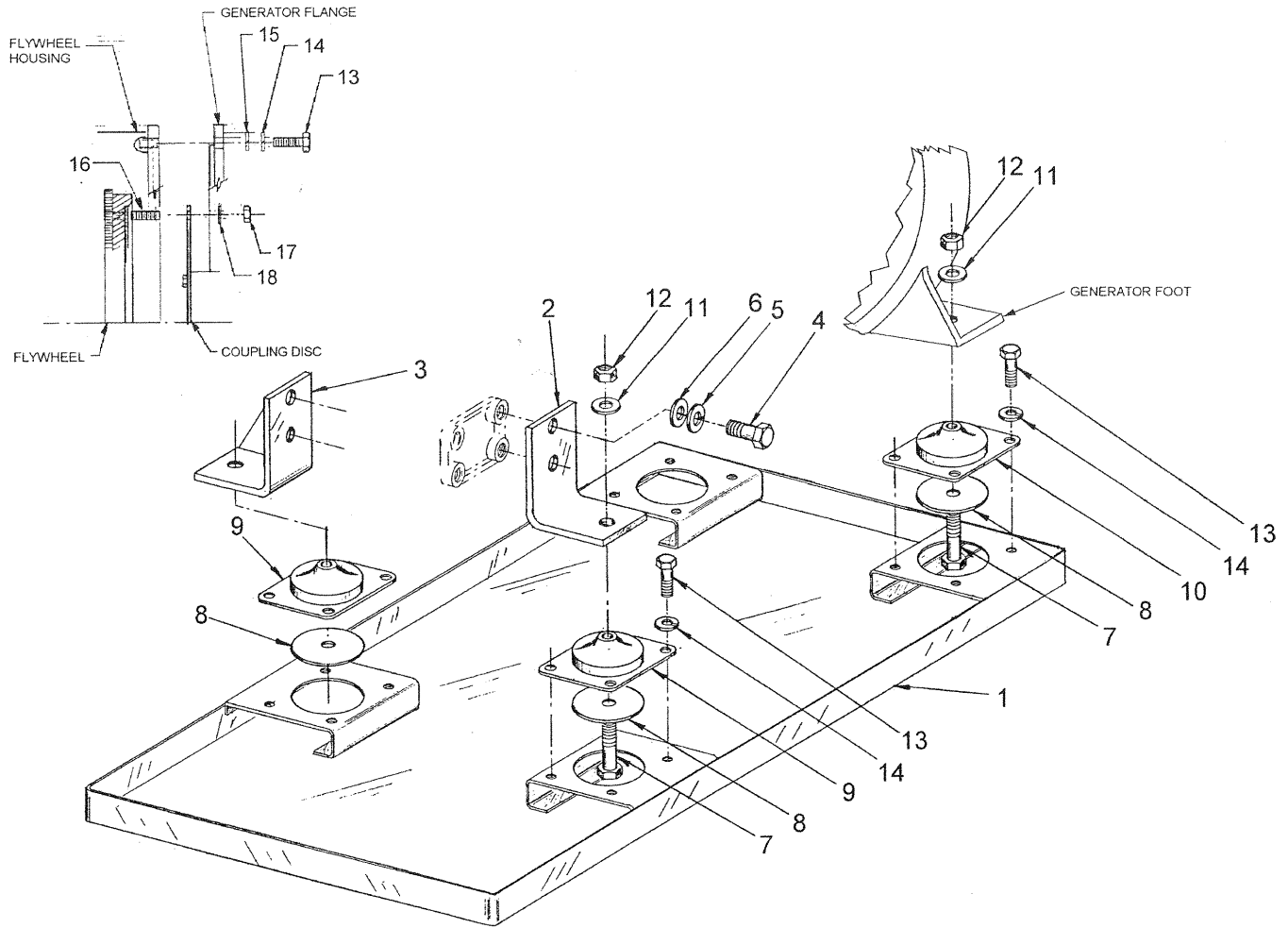
} GENERATOR TO FLYWHEEL HOUSING

} COUPLING

Items 12-19: Generator coupling not shown.

Base Frame

Marine Units with TF276K & M Generators

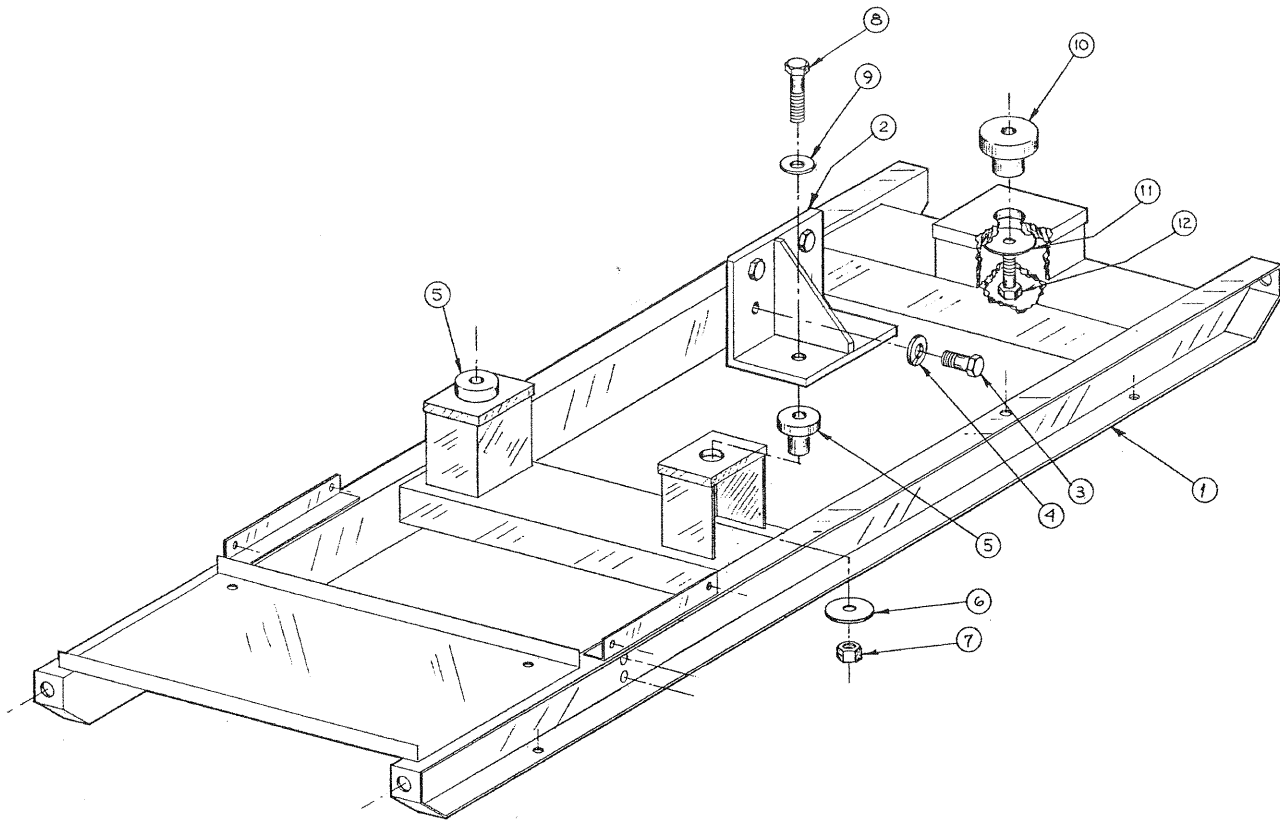


A-8559 / C-4355

KEY	PART NUMBER	QTY	DESCRIPTION	SERIAL NUMBER
1	39-88001	1	Base Frame	-
2	23-88001	1	Bracket, Right hand	-
3	23-88002	1	Bracket, Left hand	-
4	12-09832	4	Capscrew, Hex Head M10 x 1.5 x 30 mm, S/S	-
5	15-00808	4	Lock Washer, Helical M10, S/S	-
6	15-09805	4	Flat Washer, M10, S/S	-
7	12-09956	4	Capscrew, Hex Head M12 x 1.75 x 65 mm, S/S	-
8	15-00020	4	Snubbing Washer	-
9	33-83105	2	Platform Mount, 120 lb.	-
10	33-83105	2	Platform Mount, 120 lb.	-
11	15-09007	4	Flat Washer M12, S/S	-
12	14-09830	4	Hex Nut, Nylock M12 x 1.75, S/S	-
13	12-09753	6	Capscrew, Hex Head M8 x 1.25 x 30 mm, S/S	} GENERATOR TO FLYWHEEL HOUSING
14	15-00705	6	Lock Washer, Helical M8, S/S	
15	15-00706	6	Flat Washer, M8, S/S	
16	012110025	4	Stud M10 x 1.25 x 25 mm	} COUPLING
17	14-00814	4	Hex Nut M10 x 1.25	
18	15-00802	4	Lock Washer, Helical M10	

Base Frame

Industrial Units with TFII-18 & TFIII-18 Generators

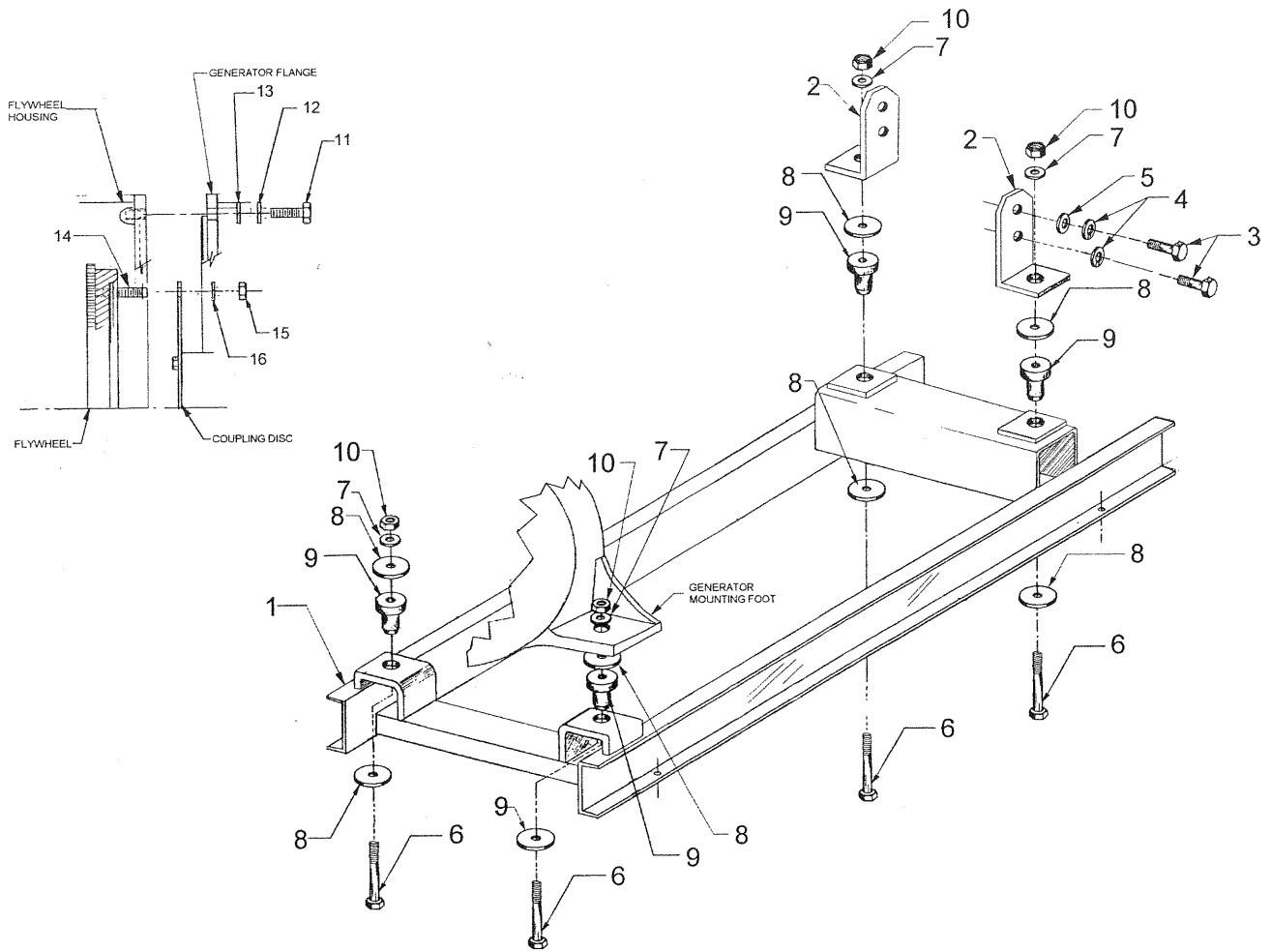


A-6670 / C-1927

KEY	PART NUMBER	QTY	DESCRIPTION	SERIAL NUMBER
1	39-88304	1	Base Frame	-
2	23-88302	2	Engine Mounting Bracket	-
3	12-00831	8	Capscrew, Hex Head M10 x 1.5 x 25 mm	-
4	15-00802	8	Lock Washer, Helical M10	-
5	33-83100	2	Shock Mount, Front	-
6	15-00014	2	Snubbing Washer	-
7	14-00812	2	Nut, Nylock M10 x 1.5 x 45 mm	-
8	12-00813	2	Capscrew, Hex Head M10 x 1.5 x 45 mm	-
9	15-00805	2	Flat Washer M10	-
10	33-82254	1	Shock Mount, Rear	-
11	15-00016	1	Snubbing Washer	-
12	12-04401	1	Capscrew, Hex Head M12 x 1.75 x 55 mm	-

Base Frame

Industrial Units with TF276K & M Generators

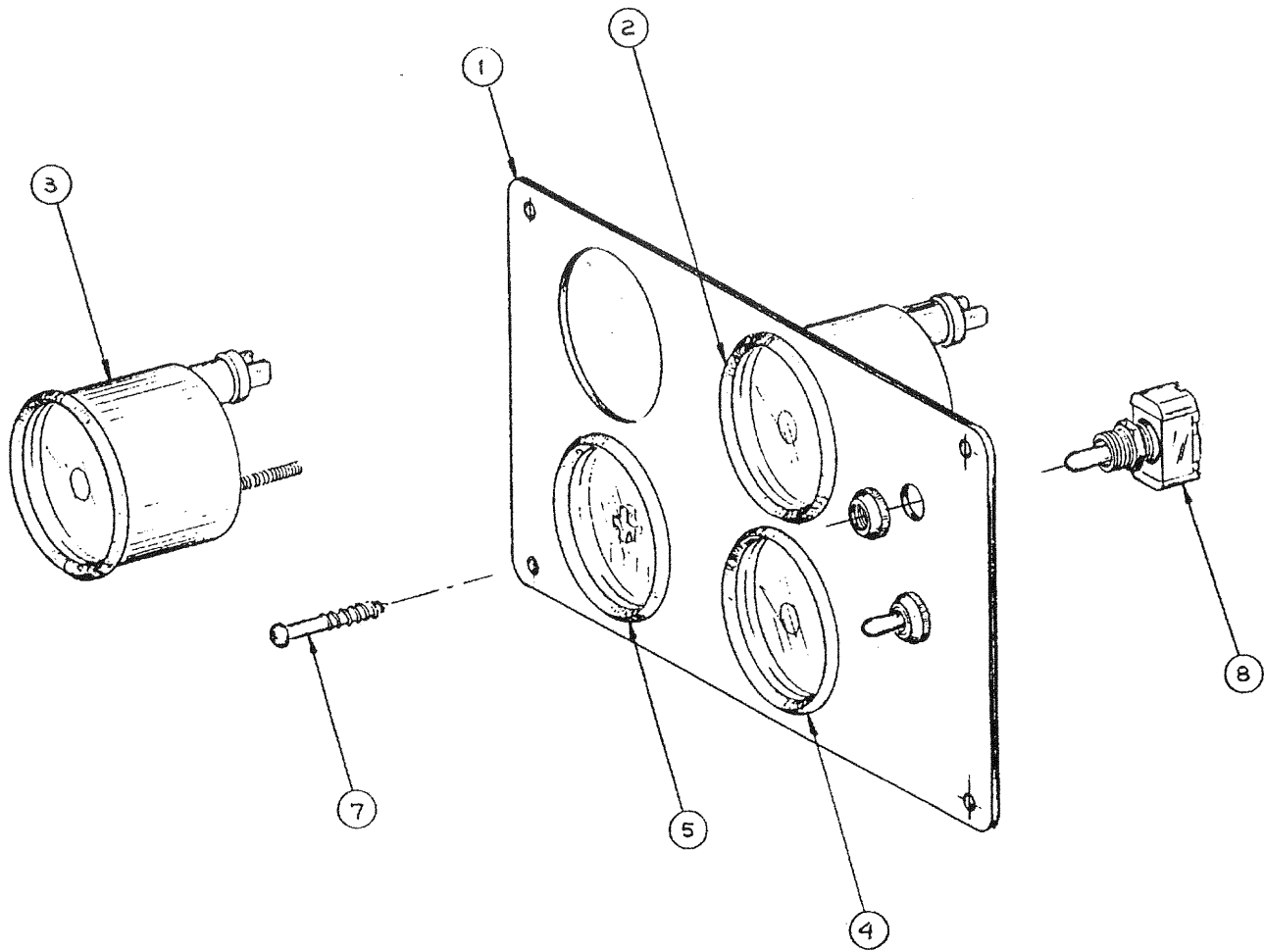


A-8649 / D-4322

KEY	PART NUMBER	QTY	DESCRIPTION	SERIAL NUMBER
1	39-88002	1	Base Frame	-
2	23-88003	2	Bracket	-
3	12-00832	4	Capscrew, Hex Head M10 x 1.5 x 30 mm	-
4	15-00802	4	Lock Washer, Helical M10	-
5	15-00805	4	Flat Washer, M10	-
6	12-00048	4	Capscrew, Hex Head M10 x 1.5 x 60 mm	-
7	15-00805	4	Flat Washer, M10	-
8	15-00014	8	Head/Tail Washer	-
9	33-83100	4	Centerbonded Mount, 100 lb.	-
10	14-00812	4	Hex Nut, Nylock M10 x 1.5	-
11	12-00753	6	Capscrew, Hex Head M8 x 1.25 x 30 mm	-
12	15-00702	6	Lock Washer, Helical M8	-
13	15-00701	6	Flat Washer, M8	-
14	012110025	4	Stud, M10 x 1.25 x 25 mm	-
15	14-00814	4	Hex Nut, M10 x 1.25	-
16	15-00802	4	Lock Washer, Helical M10	-

Standard Line, Flush Mount, Compact Control Panel

12 Volt

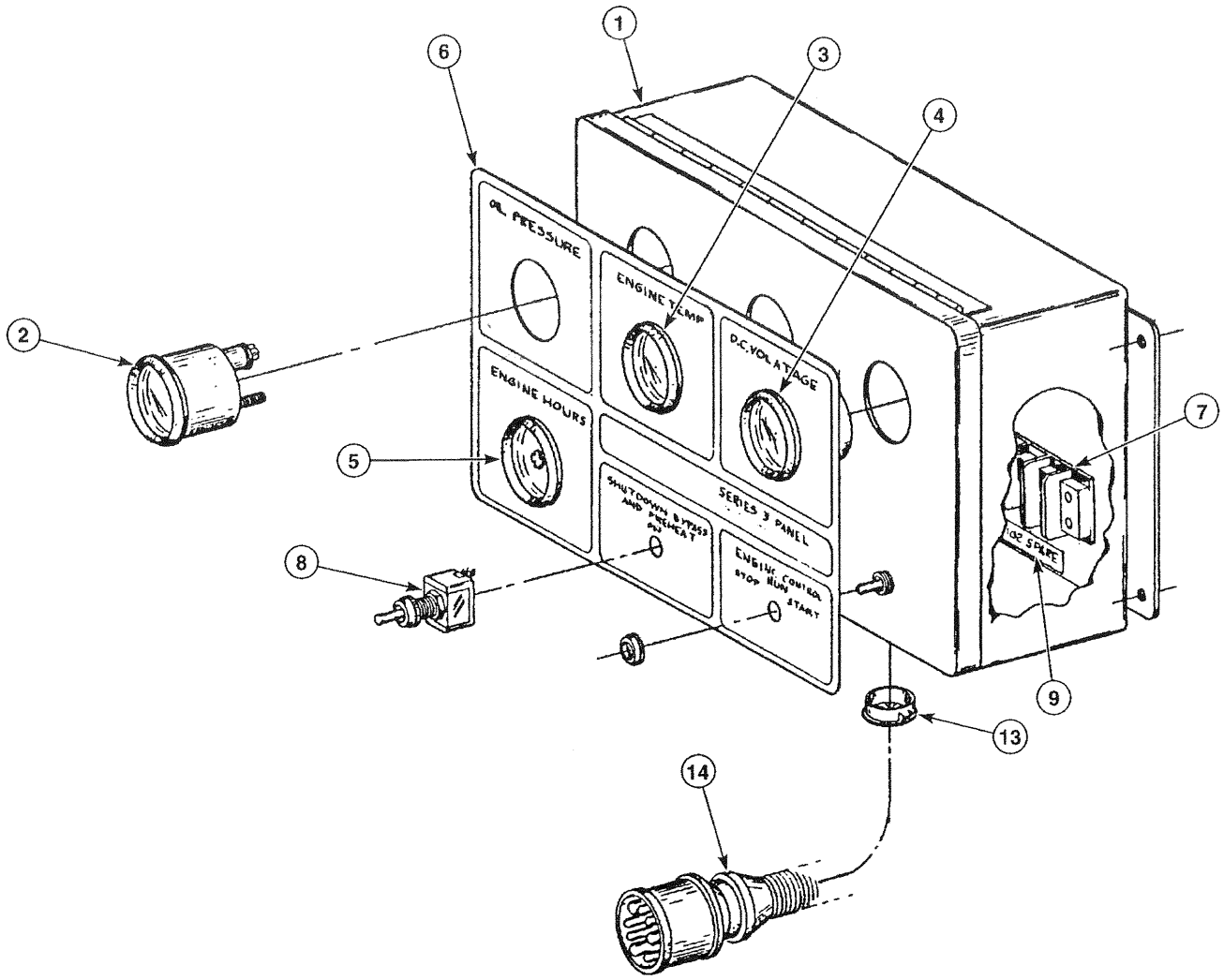


A-4596 / C-2465

KEY	PART NUMBER	QTY	DESCRIPTION	SERIAL NUMBER
**	22-92015	1	S-3C Control Panel 12 Volt (includes all keys)	-
1	28-90010	1	Series 3 Control Panel Plate	-
2	37-40010	1	Oil Pressure Gauge, Standard Line	-
3	37-40011	1	Engine Temperature Gauge, Standard Line	-
4	37-40012	1	D.C. Voltmeter, Standard Line	-
5	27-40013	1	Hourmeter, Standard Line	-
6	22-42024	1	Panel Wire Harness (not shown)	-
7	12-90001	**	Self Tapping Screw, Round Head Phillips #6 x 1"	-
	12-90007	**	Self Tapping Screw, Oval Head Phillips #6 x 3/4"	-
8	22-41051	2	Toggle Switch SPDT Momentary	-
9	22-44852	**	12 Volt Bulb (not shown)	-
			**As required	

Standard Line, Surface Mount, Dual Station Control Panel

12 Volt

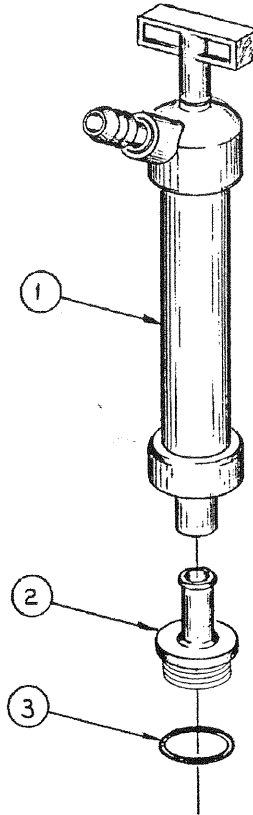


A-6967 + A-4722/ C-2470

KEY	PART NUMBER	QTY	DESCRIPTION	SERIAL NUMBER
••	22-92031	1	S-3B Control Panel - 12 Volt (Includes all keys)	-
1	39-42005	1	Enclosure 10" x 8" x 4" (white)	-
2	37-40010	1	Oil Pressure Gauge, Standard Line 0 - 80 PSI	-
3	37-40011	1	Engine Temperature Gauge, Standard Line 0 - 250°	-
4	37-40012	1	DC Voltmeter, 12 Volt Standard Line	-
5	37-40013	1	Hourmeter, Standard Line	-
6	00-91018	1	Series 3 Control Panel Decal	-
7	22-41077	1	Terminal Board	-
8	22-41051	2	Toggle Switch, Momentary SPDT	-
9	22-00052	1	Number Strip	-
11	22-44852	**	Clear Bulb, 12 Volt (not shown)	-
12	22-40257	1	Wire Harness (not shown)	-
13	00-41015	1	Plastic Bushing	-
14	22-42027	1	Connection Harness	-
			**As required	

Oil Drain Kit

Marine Application

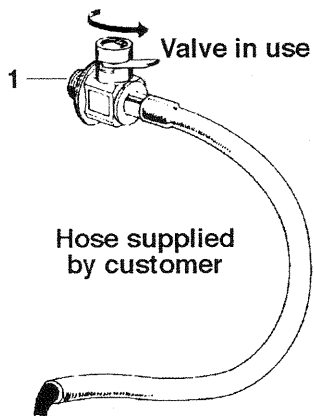


A-5024 / B-3990

KEY	PART NUMBER	QTY	DESCRIPTION	SERIAL NUMBER
••	36-70010		Oil Drain Kit Complete (includes all keys)	-
1	36-72002	1	Hand Pump	-
2	31-70001	1	Adapter, Oil Drain	-
3	16-70001	1	O-ring	-

Oil Drain Kit

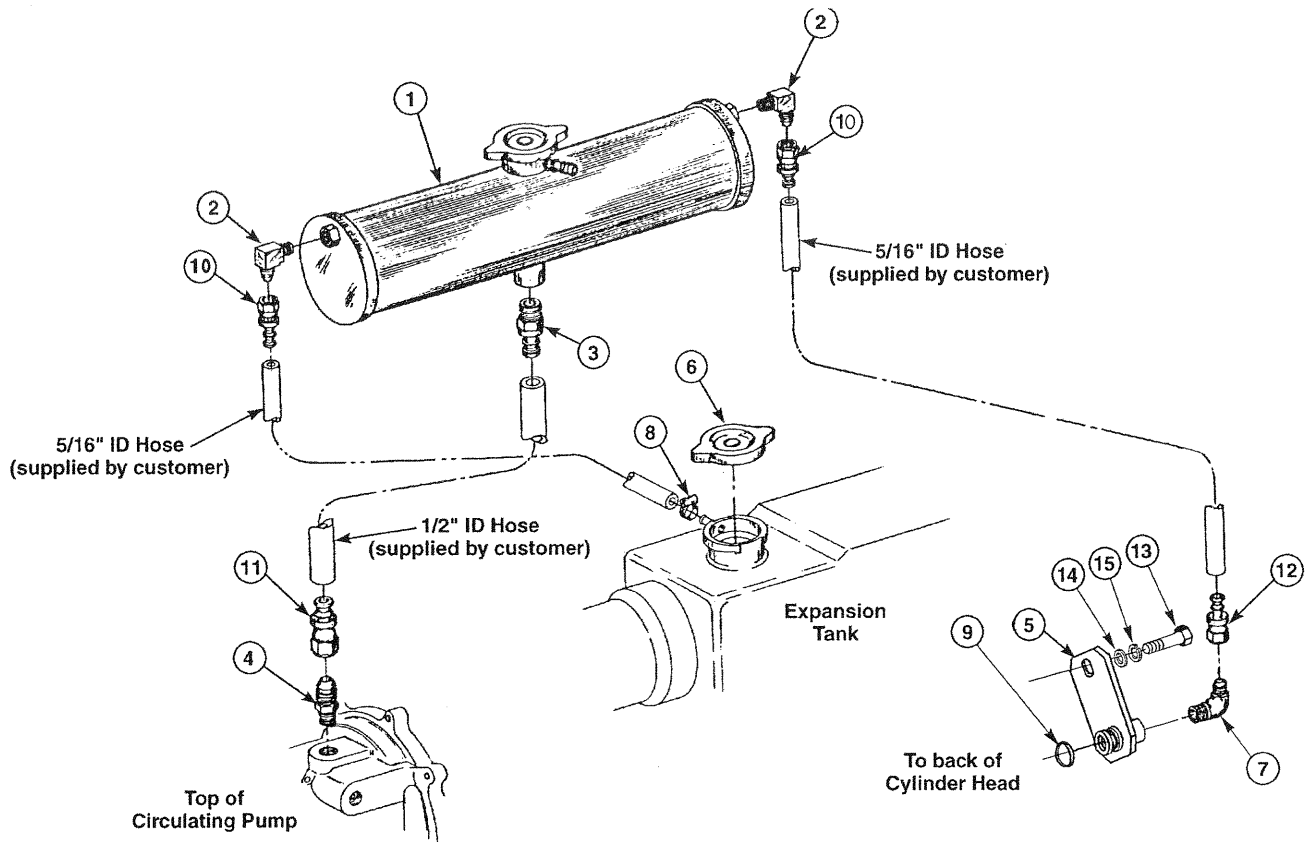
Industrial Application



A-6480

KEY	PART NUMBER	QTY	DESCRIPTION	SERIAL NUMBER
1	36-72003	1	Drain Valve	-

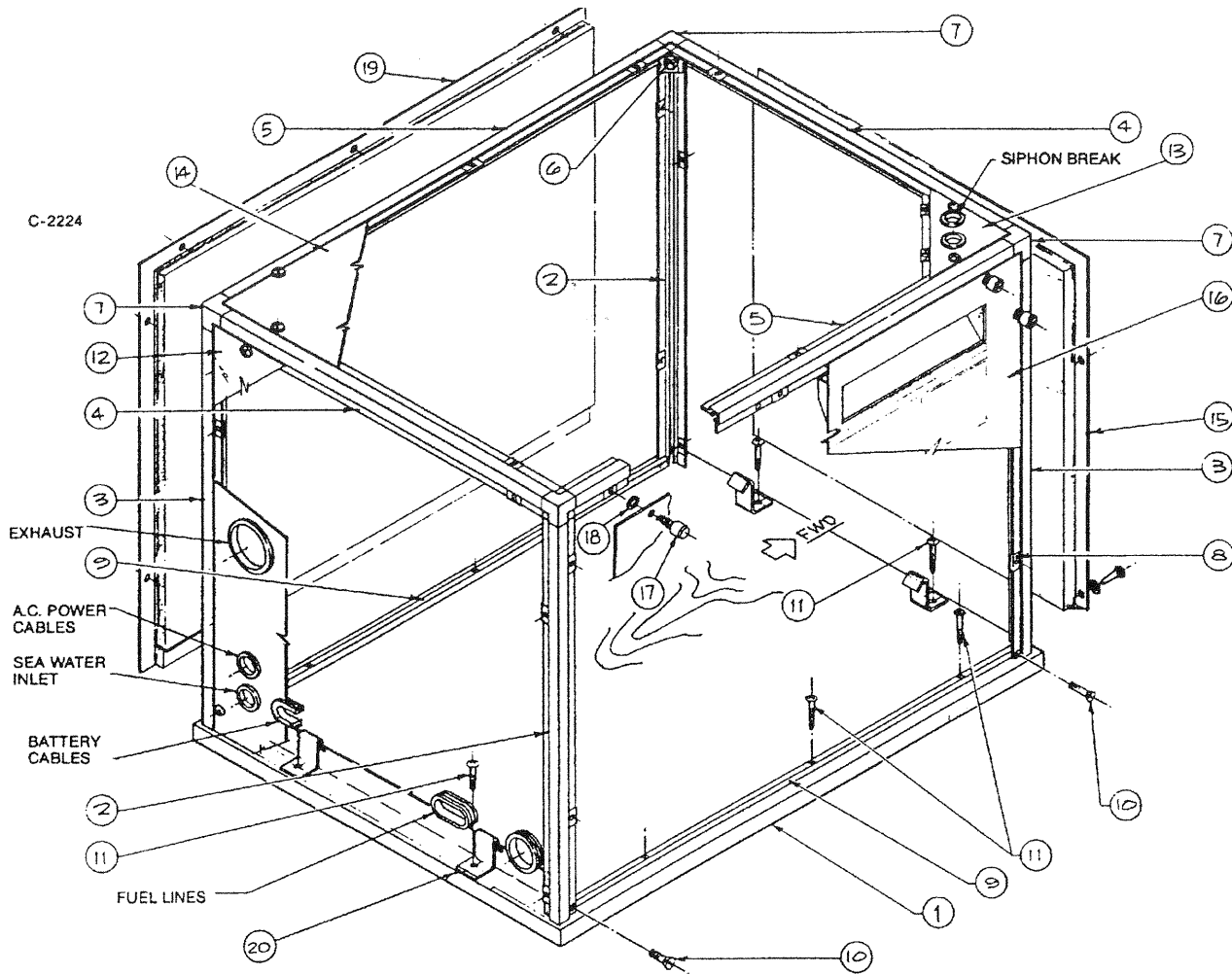
Remote Expansion Tank



A-7461/ D-2345

KEY	PART NUMBER	QTY	DESCRIPTION	SERIAL NUMBER
1	10-12002	1	Remote Expansion Tank (Includes key #16)	-
2	21-52245	2	Male Elbow, 90°, Brass 1/4 NPT x 5/16-45T	-
3	21-51093	1	Male Connector, Brass 1/2 NPT x 1/2 HB	-
4	21-71093	1	Male Connector, Brass 3/8 NPT x 1/2-45T	-
5	31-12002	1	Port Adapter	-
6	21-12008	1	Filler Cap	-
7	21-10030	1	Male Elbow, 90°, 3/8 O-R Port x 5/16-37T	-
8	19-00004	1	Hose Clamp #4	-
9	16-18001	1	O-ring	-
10	21-71056	2	Female Swivel, Brass 5/16 HB x 5/16-45T	-
11	21-71042	1	Female Swivel, Brass 1/2 HB x 1/2-45T	-
12	21-70007	1	Female Swivel, Brass 5/16 HB x 5/16-37T	-
13	12-00751	1	Capscrew, Hex Head M8 x 1.25 x 16 mm	-
14	15-00701	1	Flat Washer M8	-
15	15-00702	1	Lock Washer M8	-
16	23-75404	2	Bracket, Tank Support (not shown)	-

Aluminum Sound Enclosure Assembly Early Production



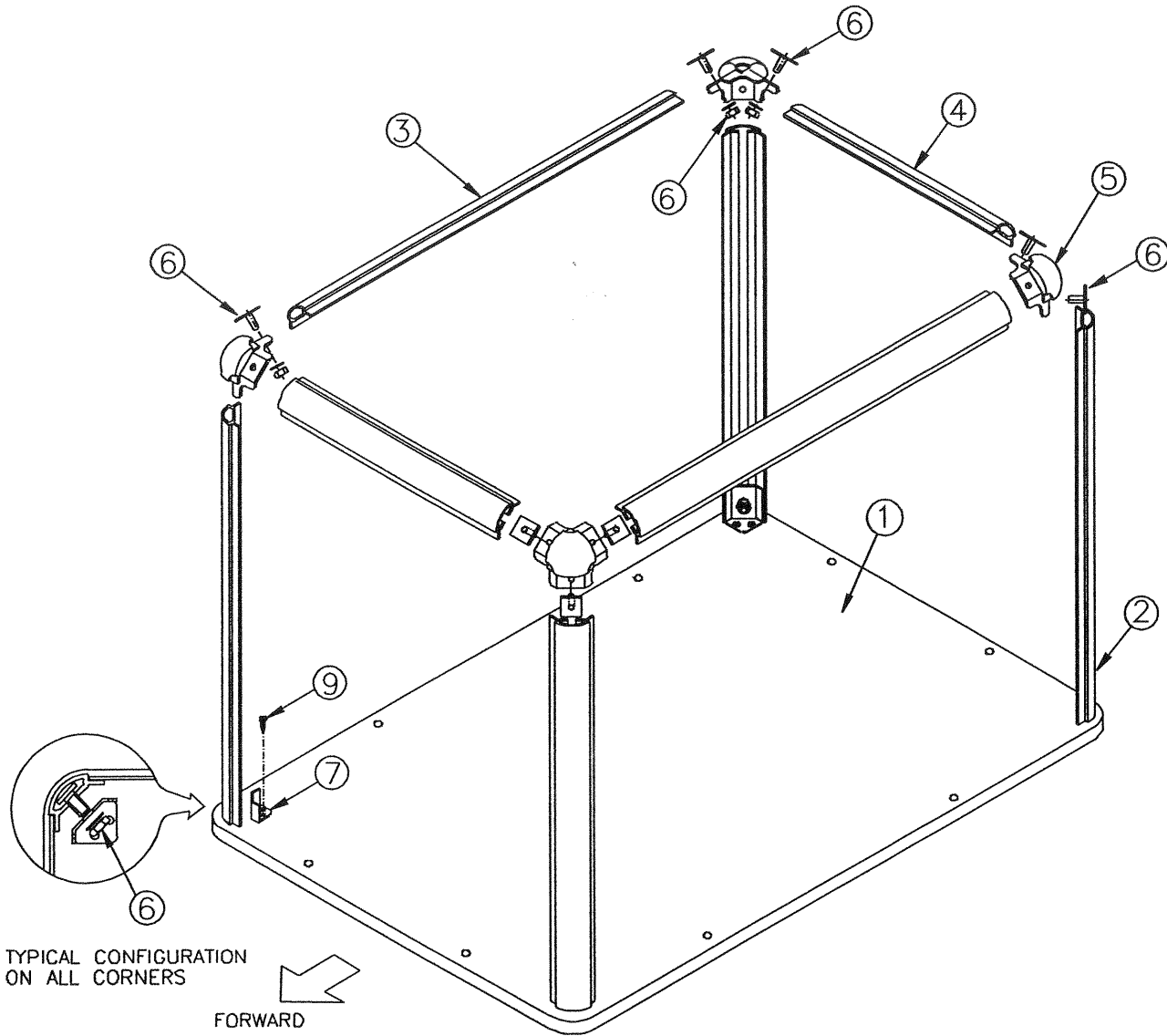
P673: 9-4

KEY	PART NUMBER	QTY	DESCRIPTION	SERIAL NUMBER
••	39-78303	1	Sound Enclosure Assembly	-
1	39-78312	1	Plywood Base	-
2	39-78313	2	Extrusion, Corner Upright, LF/RR	-
3	39-78315	2	Extrusion, Corner Upright, RF/LR	-
4	39-78317	2	Extrusion, Upper Corner, Front/Rear	-
5	39-78318	2	Extrusion, Upper Corner, Left/Right	-
6	00-78212	12	Bolting Assembly	-
7	00-78210	4	Corner Casting	-
8	00-78216	26	Spring Receptacle	-
9	39-78314	2	Base Runner, Enclosure Frame Mounting	-
10	12-70006	4	Machine Screw, #6-32 x 1/2" 82 CS	-
11	12-00074	10	Sheet Metal Screw #10 x 1" Pan Head	-

Aluminum Sound Enclosure Assembly Late Production

KEY	PART NUMBER	QTY	DESCRIPTION	SERIAL NUMBER
12	39-78310	1	Rear Panel Assembly (includes "*" up to key #13)	-
•	39-78323	1	Rear Panel (not shown)	-
•	00-78324	1	Sound Foam, Lower (not shown)	-
•	00-78325	1	Sound Foam, Upper (not shown)	-
•	00-78301	1	Exhaust Grommet (not shown)	-
•	00-78215	4	Grommet, Water, Fuel, AC, Battery (not shown)	-
•	00-71614	1	Grommet, DC Power (not shown)	-
13	39-78326	1	Penetration Plate Assembly (includes "*" up to key #14)	-
•	39-78325	1	Penetration Plate (not shown)	-
•	00-78329	1	Sound Foam (not shown)	-
•	00-78215	2	Grommet, 1-1/8" ID x 1-3/4" OD	-
•	00-78216	2	Spring Receptacle	-
14	39-78311	1	Top Panel Assembly (includes "*" up to key #15)	-
•	39-78324	1	Enclosure Panel, Top (not shown)	-
•	00-78328	1	Sound Foam, Top Panel (not shown)	-
•	00-70100	1	Sound Foam, Access Hatch (not shown)	-
•	28-75402	1	Deck Plate, Water Access (not shown)	-
15	39-78309	1	Front Panel Assembly (includes "*" up to key #16)	-
*	39-78322	1	Enclosure Panel, Front (not shown)	-
•	00-78323	1	Sound Foam, Front Panel (not shown)	-
16	39-78305	1	Right Side Panel Assembly (includes "*" up to key #19)	-
•	39-78306	1	Enclosure Panel, Right Side (not shown)	-
•	00-78317	1	Sound Foam, Right Side Panel (not shown)	-
•	00-78318	1	Sound Foam, Upper Vent (not shown)	-
•	00-78319	1	Sound Foam, Vent Box (not shown)	-
•	00-78320	1	Sound Foam, Vent Box, Left Hand Side (not shown)	-
•	00-78321	1	Sound Foam, Vent Box, Right Hand Side (not shown)	-
•	00-70100	1	Sound Foam, Access Hatch (not shown)	-
•	00-78326	1	Sound Foam, Lower Side Panel (not shown)	-
•	28-75402	1	Deck Plate, Oil Dipstick Access (not shown)	-
17	00-78213	7	Thumb Screw (not shown)	-
18	00-78229	7	Retainer for Thumb Screw	-
19	39-78307	1	Left Side Panel Assembly (includes "*" up to key #20)	-
•	39-78308	1	Enclosure Panel, Left Side (not shown)	-
•	00-78322	1	Sound Foam, Left Side Panel (not shown)	-
•	00-78318	1	Sound Foam, Upper Vent (not shown)	-
•	00-78319	1	Sound Foam, Vent Box (not shown)	-
•	00-78320	1	Sound Foam, Vent Box Left Hand Side (not shown)	-
•	00-78321	1	Sound Foam, Vent Box, Right Hand Side (not shown)	-
•	00-78326	1	Sound Foam, Lower Side Panel (not shown)	-
20	33-78300	4	Hold Down Clips	-
			MISCELLANEOUS HARDWARE NOT SHOWN:	
••	12-72000	27	Sheet Metal Screw, #14 x 3/4"	-
••	15-70001	27	Nylon Washer	-
••	12-72003	12	Sheet Metal Screw, #8 x 3/8"	-
••	44-78201	1	10 Feet, Adhesive Foam Strip, gray, 1/8" x 1/4"	-
••	44-78204	1	10 Feet, Adhesive Foam Strip, black 3/8" x 7/16"	-
••	53-72001	1	Tool for Installing Captive Thumb Screws	-

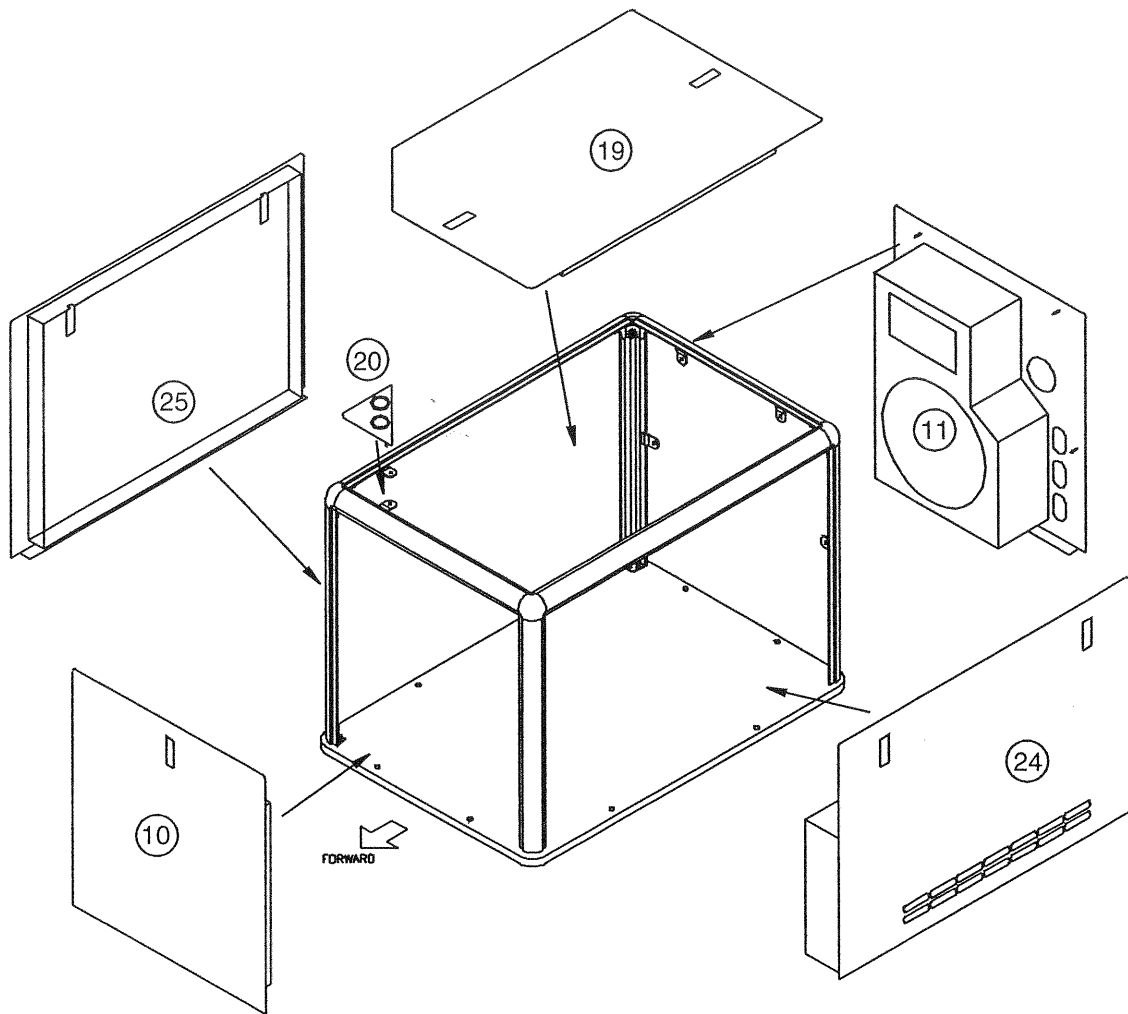
Sound Enclosure Assembly



A-9337 / B-6576B

KEY	PART NUMBER	QTY	DESCRIPTION	SERIAL NUMBER
••	05-78000	1	Sound Enclosure Assembly (includes all keys)	-
1	39-78014	1	Base Board	-
2	39-78016	4	Extrusion, Vertical Corner	-
3	39-78017	2	Extrusion, Top Side Corner	-
4	39-78024	2	Extrusion, Top End Corner	-
5	05-70001	4	Corner Casting	-
6	00-75714	12	Bolting Assembly	-
7	23-70034	4	Toe Bracket	-
9	12-72002	8	Sheet Metal Screw, PH Phillips #10 5/8" Type A S/S	-

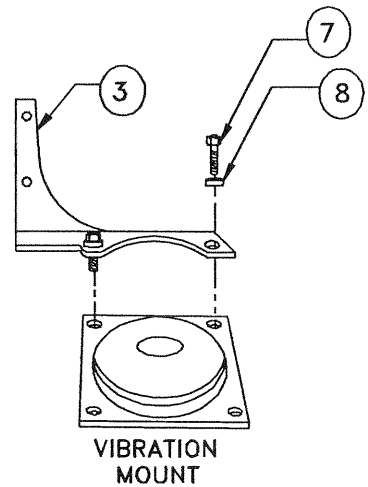
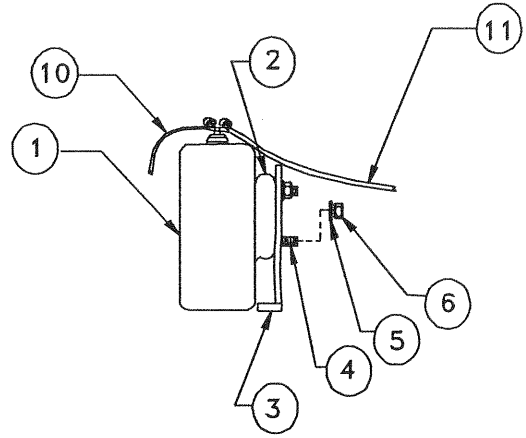
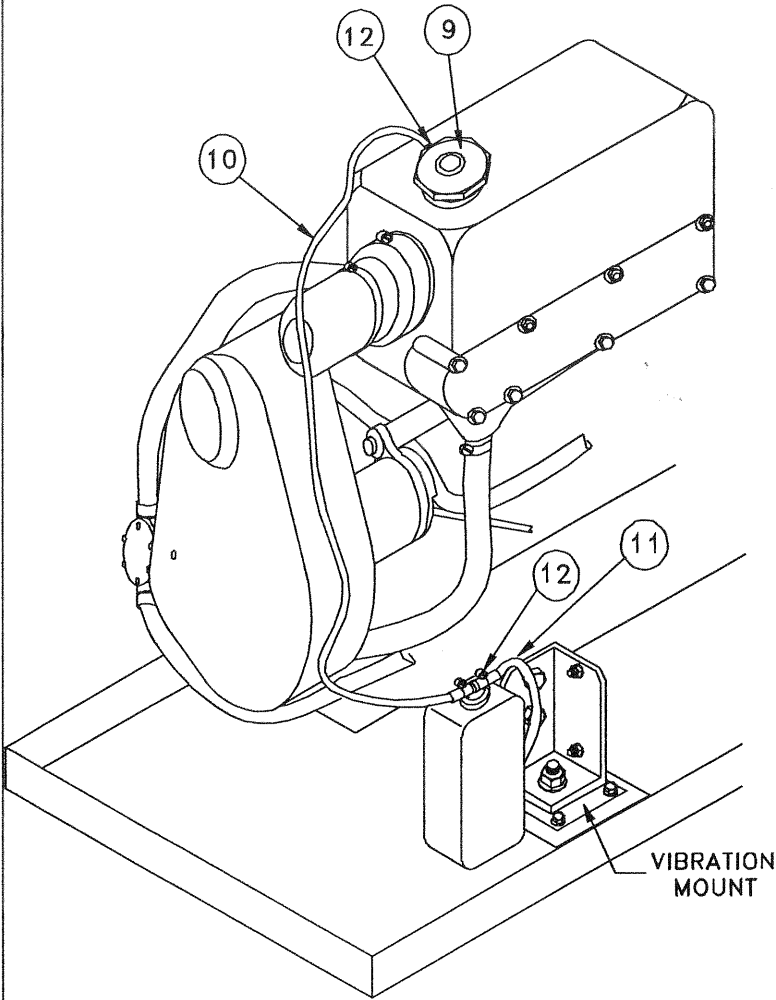
Sound Enclosure Assembly



B-6575B

KEY	PART NUMBER	QTY	DESCRIPTION	SERIAL NUMBER
10	39-78004	1	Front Panel Assembly (includes 2 ea. of key 30)	-
11	39-78006	1	Rear Panel Assembly (includes keys 12-19)	-
12	00-70083	1	Grommet 1" ID	-
13	00-73109	5	Grommet 1-1/2" ID	-
14	44-70002	88"	Continuous Grommet	-
15	55-78038	1	Gasket, Intake Box	-
16	14-00112	4	Hex Nut Nylock 1/4-20	-
17	21-22002	1	Male Elbow 90° (Air Inlet)	-
18	23-70036	4	Bracket, Panel Retainer	-
19	39-78007	1	Top Panel Assembly (includes 2 ea. of key 30)	-
20	39-78008	1	Penetration Panel Assembly (includes keys 22-24)	-
21	14-00112	2	Hex Nut, Nylock 1/2-20	-
22	00-78215	2	Grommet 1-1/8" ID	-
23	23-70036	2	Bracket, Panel Retainer	-
24	39-78009	1	Side Panel Assembly, Left Hand (includes 2 ea. of key 30)	-
25	39-78011	1	Side Panel Assembly, Right Hand (includes 2 ea. of key 30)	-
26	00-00021	**	Trigger Grip Latch (not shown)	-
			**As required	

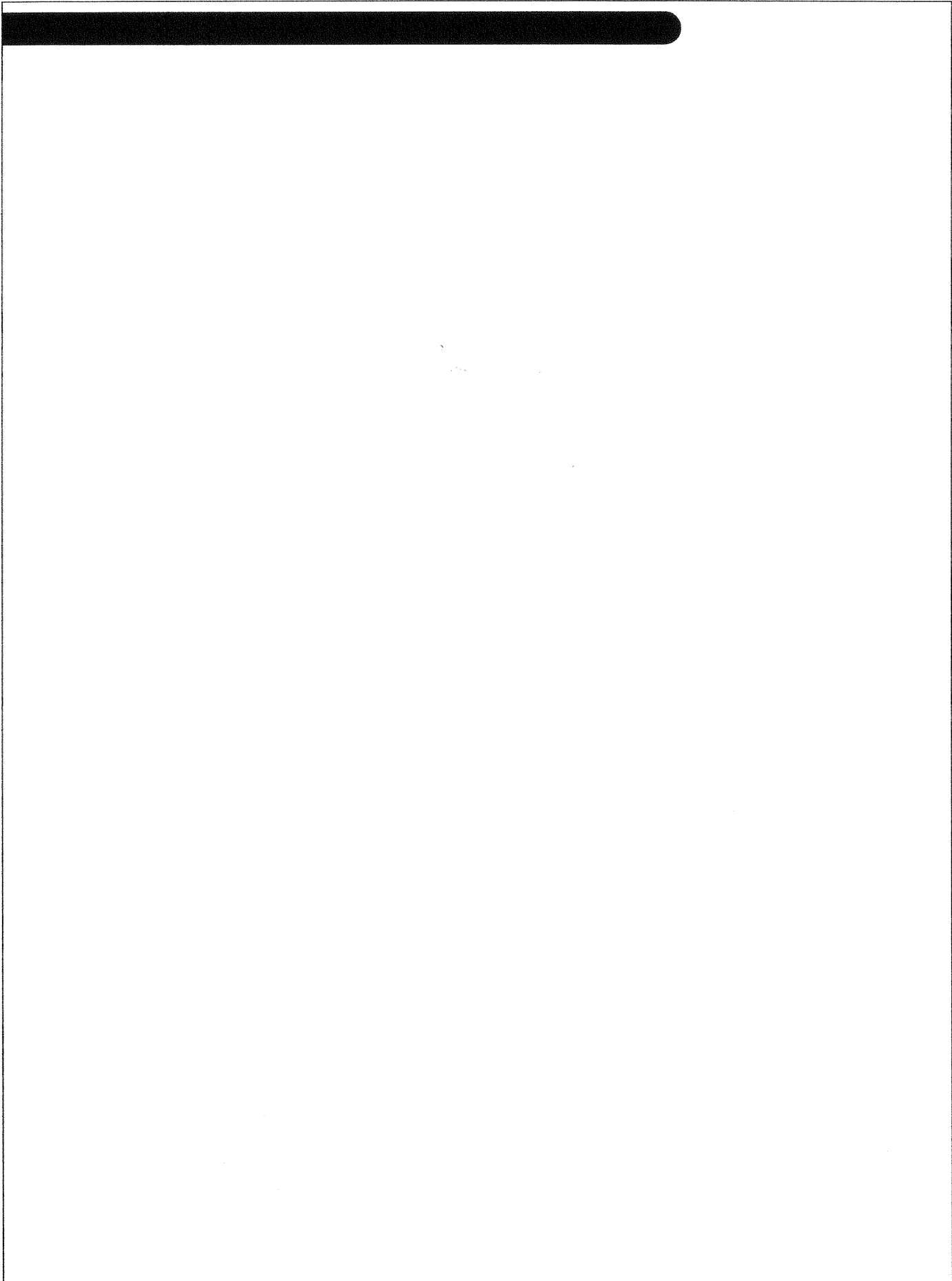
Coolant Recovery Tank



A-9146/ B-6398

KEY	PART NUMBER	QTY	DESCRIPTION	SERIAL NUMBER
1	310550130	1	Coolant Recovery Tank	-
2	222300090	1	Bracket, Coolant Recovery Tank Mtg.	-
3	23-18001	1	Bracket, Coolant Recovery Tank Mtg.	-
4	12-00097	2	Capscrew, Hex Head M6 x 1.0 x 12 mm	-
5	15-00008	2	Flat Washer	-
6	14-04803	2	Hex Nut, Nylock M6 x 1.0	-
7	12-09712	2	Capscrew, Hex Head M8 x 1.25 x 25 mm S/S	-
8	15-00705	2	Lock Washer S/S	-
9	21-12013	1	Filler Cap	-
10	41-01013	18	Hose, 5/16" ID	-
11	41-01013	10	Hose, 5/16" ID	-
12	19-00002	3	Hose Clamp #2	-

Notes



NORTHERN LIGHTS
4420 14th AVE. N.W.
P.O. BOX 70543
SEATTLE, WA 98107-5043
USA

TEL: (206) 789-3880
FAX: (206) 782-5455
<http://www.northern-lights.com>

