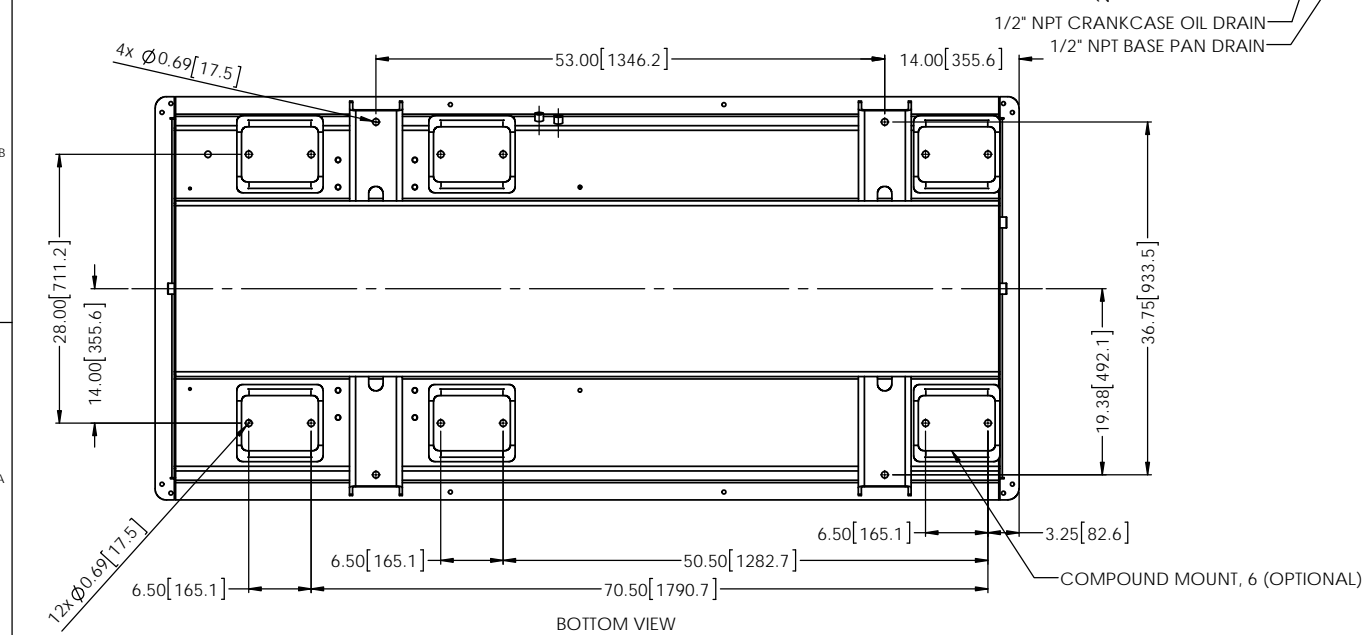
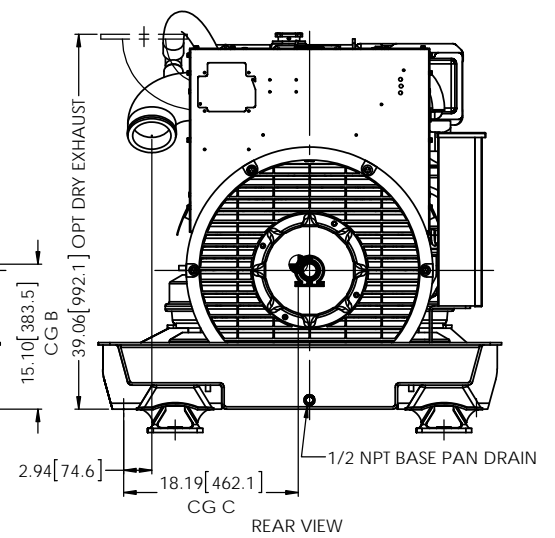
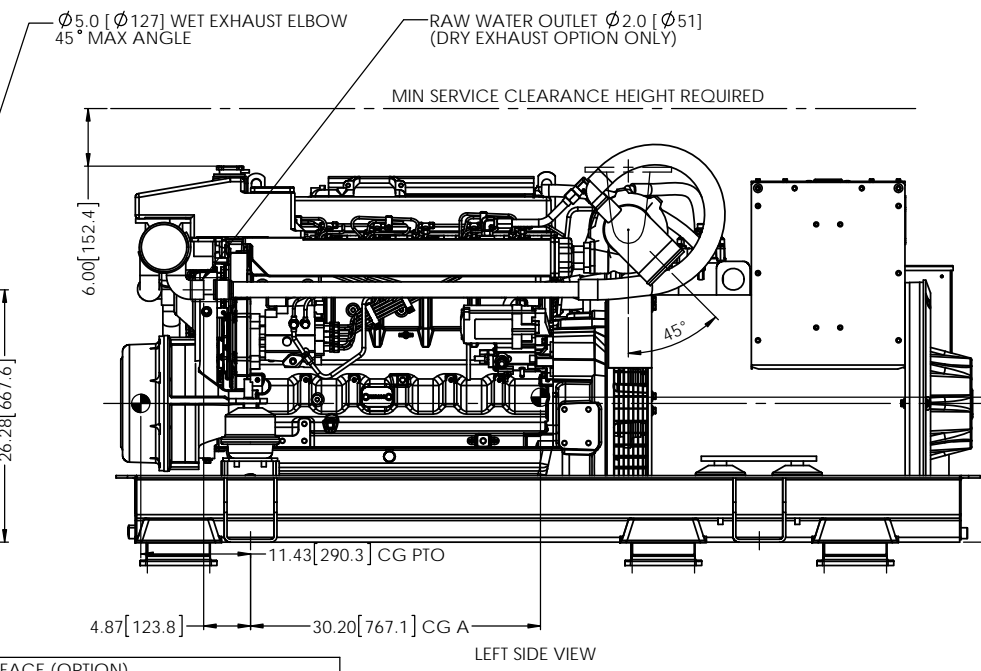
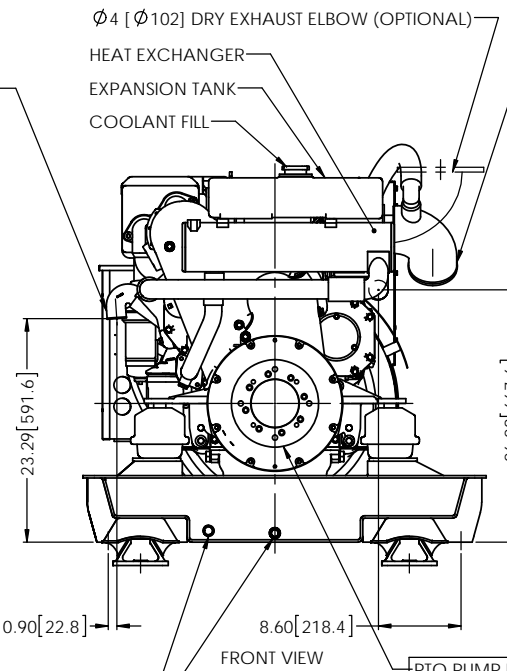
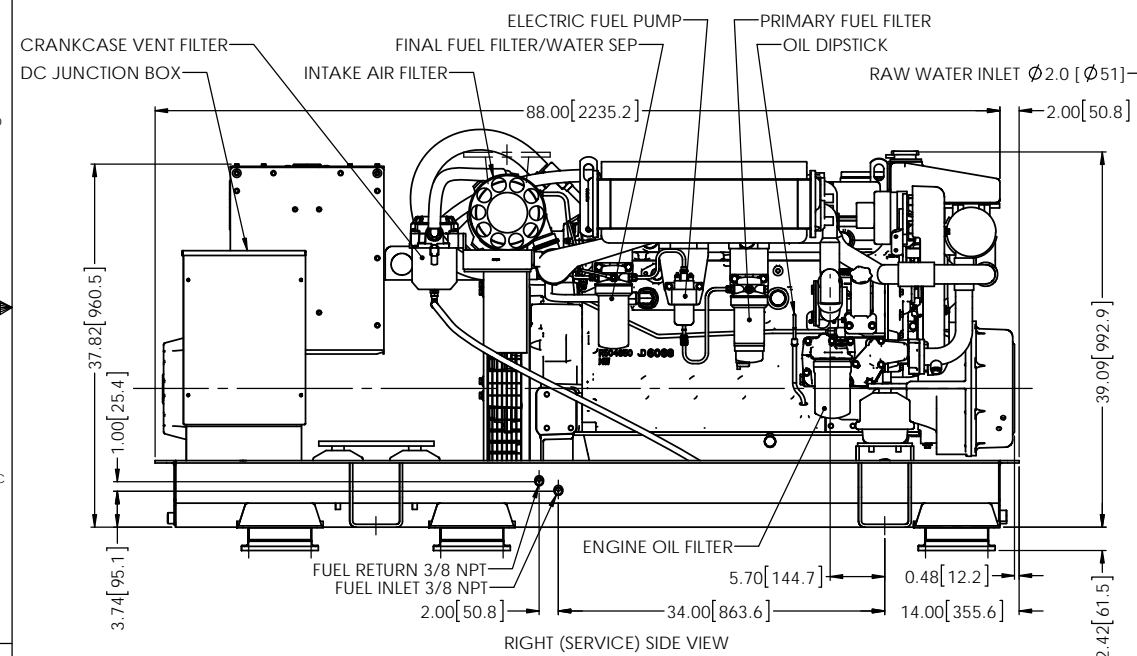
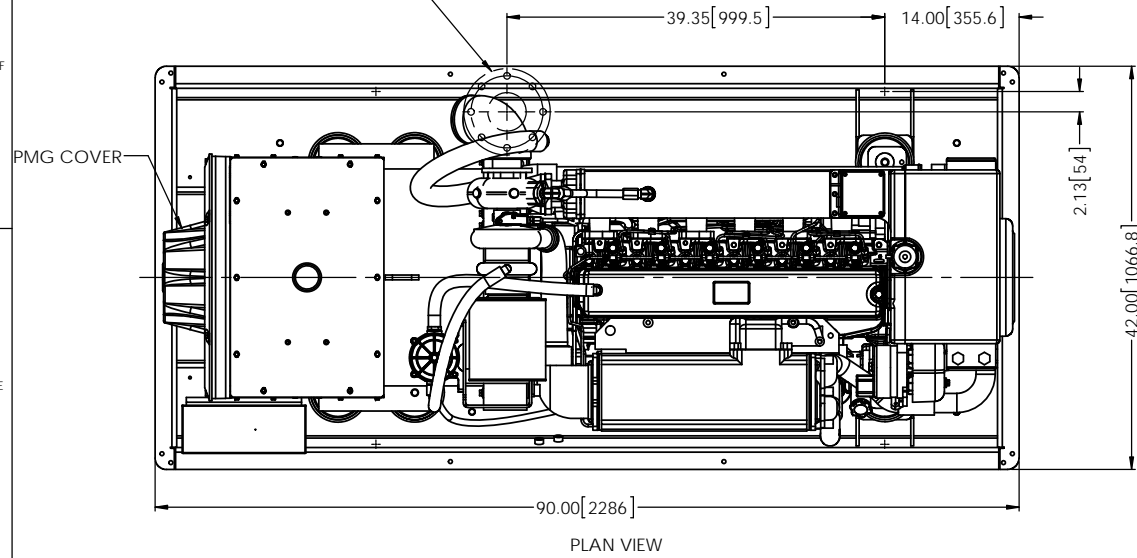


4" DRY EXHAUST ELBOW (OPTIONAL)
 Ø.68 [Ø17.5] 8 HOLES EQ. SP ON
 Ø7.5 [Ø190.5] B.C.
 (STD ANSI 4" 150 lb FLANGE BOLT CIRCLE)

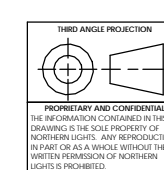


PTO PUMP FACE (OPTION)
 B-PAD: H36 B SPLINE 13T 16/32 D.P. Ø7/8 SPLINE.
 4x 1/2-13 UNC-2B THRU EQ. SP. ON Ø5.75 B.C.
 4x 1/2-13 UNC-2B THRU EQ. SP. ON Ø5.00 B.C.
 PILOT: Ø4.000/3.998

C-PAD: H36 C SPLINE 14T 12/24 D.P. Ø1-1/4 SPLINE.
 4x 1/2-13 UNC-2B THRU EQ. SP. ON Ø6.375 B.C.
 4x 5/8-13 UNC-2B THRU EQ. SP. ON Ø7.125 B.C.
 PILOT: Ø5.000/4.998

NOTE:
 1. CENTER OF GRAVITY VALUES DO NOT INCLUDE PTO/CLUTCH ASSEMBLY.
 2. PTO ADAPTER/CLUTCH ASSY WEIGHS APPROX 116 lbs. [52 kg].
 3. CUSTOMER MUST RECALCULATE CG FOR ADDITION OF HYDRAULIC PUMP.

WET WEIGHT: 3630 lbs. [1647 kg] W/O PTO OPTION.
 3746 lbs. [1699 kg] W/ PTO OPTION.



UNLESS OTHERWISE SPECIFIED		NAME	DATE	NORTHERN LIGHTS	4420 14th AVE. N.W. Seattle, WA 98107 (206) 789-3880 www.northern-lights.com	
DIMENSIONS ARE IN MILLIMETERS		DRAWN	LTP			4/30/13
TOLERANCES:		CHECKED		TITLE: INSTALLATION DIMENSIONS M1066A2 50/60 3 Ø ONLY	SIZE D	
ANGULAR:		ENG APPR				DWG. NO. D-4656
MACH: 0.5°		MFG APPR		SCALE: 1:10	WEIGHT: NOTED	SHEET 1 OF 1
BEND: ±1.0°		G.A.				
X - ±0.5		COMMENTS:				
X.X - ±0.3						
INTERPRET GEOMETRIC TOLERANCING PER ASME Y14.5M						
MATERIAL:						
FINISH:						
DO NOT SCALE						