
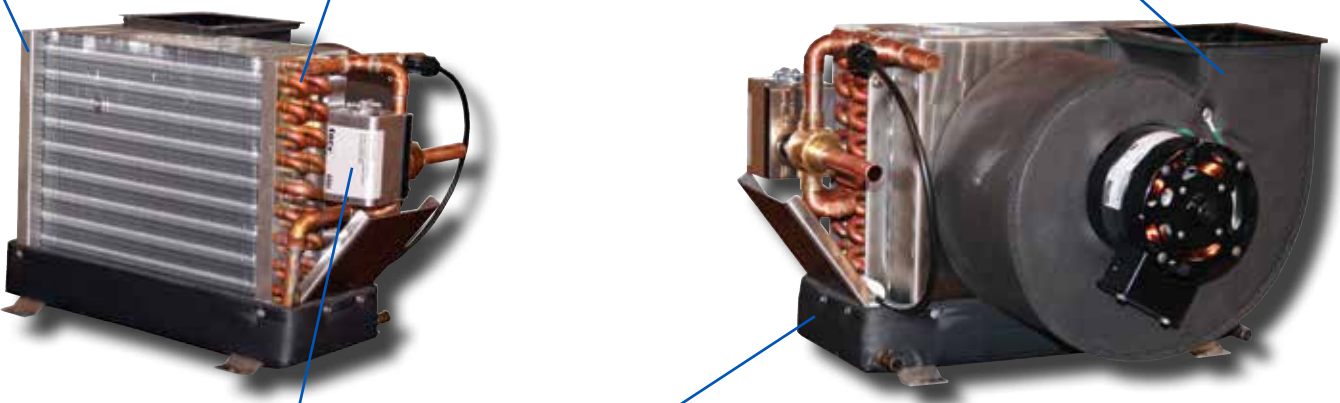




Technicold Chilled Water Air Conditioning | FEATURES AND BENEFITS

- 
- Freezestat control direct sensing on chiller plate surface
 - Digital staging thermometer allows for continuous temperature readout and preset temperature control
 - Wiring covered with fire resistant sheathing
 - Plate style chiller evaporator encapsulated in urethane foam and housed in stainless steel prevents condensation
 - Single pass fluted coaxial cupronickel counter flow condenser allows low sea water velocity while providing maximum efficiency and even condensing
 - Low Pressure switch. Standard.
 - Convenient sight glass to monitor refrigerant levels
 - Manual reset high- and automatic reset low- pressure controls
 - Two high and two low pressure ports for service and monitoring.
 - Expansion valve metering device provides maximum performance at all temperature ranges
 - 316L grade stainless steel chassis fasteners and hardware
 - Compressor mounted on vibration isolation feet

Technicold Chilled Water Air Handler | FEATURES AND BENEFITS

- 
- Low height profile
 - Fully rated capacity coils
 - High volume variable speed blower insulated for quiet operation and to prevent condensation
 - Blower rotates for easy installation
 - 16 Gauge stainless steel 316L chassis fasteners and hardware
 - Motorized water valve electrical interconnect
 - Two inch fully insulated stainless steel condensate pan with two drains
 - Stainless steel water valve drip tray

CHILLERS



Technicold chillers are available in factory-designed racked configurations.

TECHNICOLD	COMPETITOR
<ul style="list-style-type: none"> • Single pass spiral fluted condenser coil with large internal volume provides a high heat transfer surface making the coil highly efficient. The design has a low pressure drop requiring low seawater velocities. This minimizes erosion and promotes longevity. 	<ul style="list-style-type: none"> • Smooth bore condensor coils with small internal diameter tubing. Due to poor heat transfer capabilities of this design, multiple coils are needed. The small ID causes excessive pressure drops which leads to high water velocities and erosion.
<ul style="list-style-type: none"> • Technicold chiller's are designed to be condensation free; they require no condensate drip pan. 	<ul style="list-style-type: none"> • The chiller "sweats" excessively causing significant condensation. The unit requires a pan and drain to be routed to a sump or overboard. The pan design retains a large amount of condensate that can rust out all components submerged in water.
<ul style="list-style-type: none"> • Each chiller is equipped with individual safety devices and digital control. If one system is taken off-line for service or maintenance, the other chiller(s) will continue to operate independently. 	<ul style="list-style-type: none"> • Multiple chiller systems are controlled by a single source, so it is not possible to service one chiller unit without taking the entire air conditioning system off-line.
<ul style="list-style-type: none"> • The chiller temperature control is clearly visible and easily accessible from the manifold side of the unit without opening any electrical boxes. It can be remote mounted up to 8 feet away from the chiller. 	<ul style="list-style-type: none"> • The chiller's temperature control is located inside an enclosure requiring removal of the cover to view the temperature readout or change a setting.
<ul style="list-style-type: none"> • The freeze protection thermostat bulb is located in the plate chiller housing, monitoring refrigerant - rather than water-temperature. The system will shut down on freeze protection prior to the refrigerant freezing the water. This highly accurate method of temperature protection eliminates the possibility of freezing inside the plate. 	<ul style="list-style-type: none"> • Freeze protection is located in the water stream, which does not accurately sense temperature inside the evaporator plate. This can cause freeze up and rupture the plate.
<ul style="list-style-type: none"> • Technicold chillers can be installed with in-line immersion heat that provides 100% heating capacity in all water and ambient temperatures. The seawater pump is dormant during immersion heating, thus eliminating wear and tear on the strainer and pump. 	<ul style="list-style-type: none"> • Heating is reverse cycle only, which is limited and dependent on the temperature of the seawater. The chiller provides 100% of heating at only one seawater temperature - usually around 60 degrees F. In water temperatures above 60 degrees F, the system retains heat and cycles on high-pressure fault. In water temperatures below 60 degrees F, the heating capacity drops off and become ineffective at a water temperature of about 40 degrees F.
<ul style="list-style-type: none"> • Two high and two low pressure ports allows the addition of external pressure monitoring. 	<ul style="list-style-type: none"> • Second pressure ports not standard equipment.

AIR HANDLERS



Technicold products are backed by a worldwide dealer network.

TECHNICOLD	COMPETITOR
<ul style="list-style-type: none"> • 316L Stainless steel (16GA) used in construction of the pan and shroud, as well as fasteners and hardware. The stainless steel is dressed with a swirl pattern for aesthetics, and is also available in a mirror finish. 	<ul style="list-style-type: none"> • Light gauge galvanized and stainless steel construction.
<ul style="list-style-type: none"> • All air handlers are designed to a maximum height of 12". This allows them to be installed in restrictively tight quarters. 	<ul style="list-style-type: none"> • High height profile that can make installation of ducting difficult.
<ul style="list-style-type: none"> • Larger capacity units are equipped with a dual-blower configuration. This allows us to maintain our low profile while adding a second duct. 	<ul style="list-style-type: none"> • Larger capacity units have single blowers, which makes running multiple ducts difficult and requires additional parts.
<ul style="list-style-type: none"> • Technicold blowers are ultra-quiet, eliminating motor, air velocity and vane tip noise while providing maximum capacity airflow at the rated capacity. The heavy metal mass of unit resists vibration caused by dust build up. No additional vibration mounts are required. 	<ul style="list-style-type: none"> • Single, large blowers create air turbulence, velocity and vane tip noise when run at high speeds. Vibration mounts are required to prevent noise transfer from the unit.
<ul style="list-style-type: none"> • Technicold draw-through blowers are slip ring mounted. This allows the blowers to be rotated by hand prior to or after installation without the use of tools. 	<ul style="list-style-type: none"> • All air handlers have to be disassembled with power tools to rotate the blowers prior to installation. Once they are installed, any blower adjustment requires the removal of the entire unit.
<ul style="list-style-type: none"> • Technicold coils are rated fully or higher for their specified capacity, which provides maximum cooling or heating in all ambient conditions. 	<ul style="list-style-type: none"> • Coil capacity inconsistent on older models.
<ul style="list-style-type: none"> • Technicold drain pans are two inches deep to prevent sloshing and spillage, even in rough seas. Dual drain connections are welded at the bottom of each drain pan. This allows for complete drainage and eliminates algae buildup. 	<ul style="list-style-type: none"> • Drain fitting for hose barb connections welded toward the bottom of the drip pan. The lip on the fitting retains water in the pan, which can form algae over time.
<ul style="list-style-type: none"> • The water valve motor is located away from the air handler's water piping. This eliminates the possibility of motor failure caused by condensate dripping from the pipes onto the motor. 	<ul style="list-style-type: none"> • Water valve motor is located under water pipes, allowing condensate to drip onto the motor, which can lead to corrosion and possible motor failure.
<ul style="list-style-type: none"> • Add an optional UVC bulb to kill mold and other contaminants. Our bulbs are ozone-free and are installed in the air handler to eliminate contaminants in the air flow and in the evaporator water. 	<ul style="list-style-type: none"> • UV bulbs are installed in piping, meaning that contaminants are only affected when they are blowing past.

How do Technicold products stack up to the competition?

The following is a brief review of Technicold features and benefits versus a leading competitor.

TECHNICOLD	COMPETITOR
<ul style="list-style-type: none"> • 316 stainless steel (16g) used in construction of all components, including fasteners and hardware. 	<ul style="list-style-type: none"> • Light gauge galvanized and stainless steel construction; some plastic.
<ul style="list-style-type: none"> • The stainless steel is dressed with a swirl pattern for aesthetics. It is also available in a mirror finish to accent the chrome inside an engine room. 	<ul style="list-style-type: none"> • Chiller becomes aesthetically displeasing as the paint flakes and unit corrodes.
<ul style="list-style-type: none"> • Chiller design is corrosion free with minimal maintenance. 	<ul style="list-style-type: none"> • Drain pan and compressor base prone to corrosion.
<ul style="list-style-type: none"> • Heavy gauge metal and compressor isolation eliminates vibration, no additional vibration mounts for installation required. 	<ul style="list-style-type: none"> • Light gauge metal and unit design transfers compressor vibration throughout the chiller housing. Requires additional vibration isolation pads for installation.
<ul style="list-style-type: none"> • The plate chiller evaporator is totally encapsulated in high-density urethane foam, and sealed in stainless steel housing. This prevents condensation from forming on the evaporator chiller, as well as preventing external heat sources from affecting the performance of the evaporator. 	<ul style="list-style-type: none"> • The plate chiller evaporator is wrapped in foam sheeting. This causes sweating on the outside of the insulation. The insulation is not protected, and can be torn and gouged during installation or service. Due to the minimal insulation factor of the foam, the plate is exposed to extreme conditions in the engine room, adversely affecting the chiller performance and reducing its capacity.
<ul style="list-style-type: none"> • Liquid line sight glass for diagnostics and charging. 	<ul style="list-style-type: none"> • No liquid line sight glass.
<ul style="list-style-type: none"> • Liquid line filter-drier to ensure dry refrigerant circuit, and added protection to the expansion valve. 	<ul style="list-style-type: none"> • No liquid line filter-drier.
<ul style="list-style-type: none"> • The expansion valve is installed with flare connections. It can be easily removed for cleaning and put back into service. This also provides access to the internal inlet screen. 	<ul style="list-style-type: none"> • The expansion valve is brazed into the piping. Servicing this piece requires cutting out the valve, and replacing it, making for a time consuming and expensive service point.
<ul style="list-style-type: none"> • The expansion valve's sensing bulb has maximum thermal transfer with the suction line pipe utilizing thermal mastic. It is completely sealed against the pipe using thick-walled, closed-cell insulation. 	<ul style="list-style-type: none"> • The expansion valve's sensing bulb is attached to pipe with a minimal amount of thermal mastic, and is wrapped with a thin piece of foam tape. This tape can peel off when exposed to high ambient temperatures in the engine room. In addition, the mastic can liquify when exposed to high temperatures, leaving the bulb exposed and causing the expansion valve to malfunction.

By any standard, Technicold customized marine solutions are the best on the market.