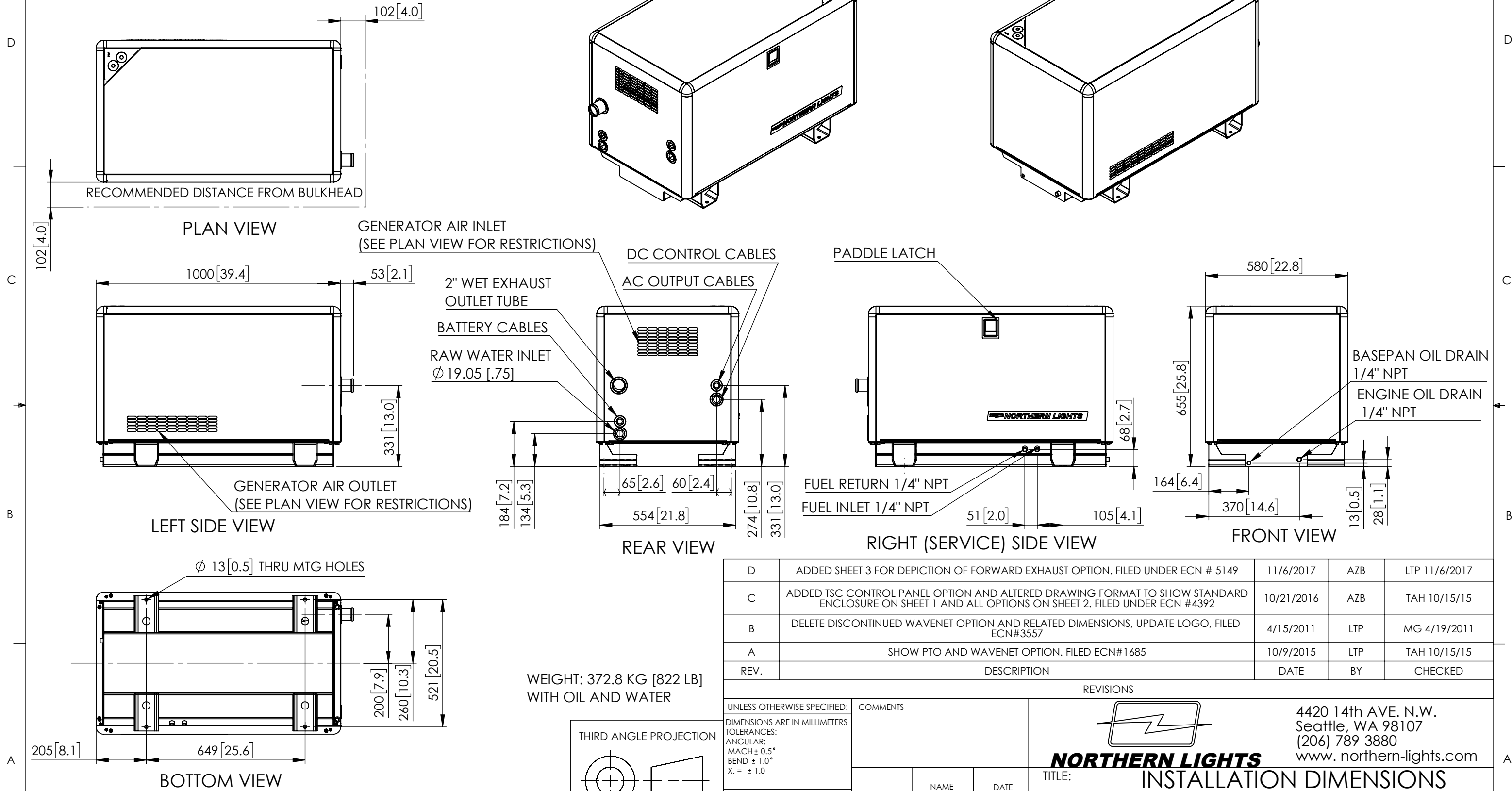
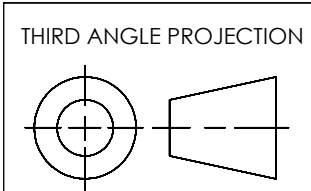


THE DIMENSIONS ON THIS DRAWING ARE SUBJECT TO CHANGE. PLEASE CONTACT NORTHERN LIGHTS INC., TO BE SURE YOU HAVE THE MOST CURRENT REVISION.



REV.	DESCRIPTION	DATE	BY	CHECKED
D	ADDED SHEET 3 FOR DEPICTION OF FORWARD EXHAUST OPTION. FILED UNDER ECN # 5149	11/6/2017	AZB	LTP 11/6/2017
C	ADDED TSC CONTROL PANEL OPTION AND ALTERED DRAWING FORMAT TO SHOW STANDARD ENCLOSURE ON SHEET 1 AND ALL OPTIONS ON SHEET 2. FILED UNDER ECN #4392	10/21/2016	AZB	TAH 10/15/15
B	DELETE DISCONTINUED WAVENET OPTION AND RELATED DIMENSIONS, UPDATE LOGO, FILED ECN#3557	4/15/2011	LTP	MG 4/19/2011
A	SHOW PTO AND WAVENET OPTION. FILED ECN#1685	10/9/2015	LTP	TAH 10/15/15

WEIGHT: 372.8 KG [822 LB] WITH OIL AND WATER

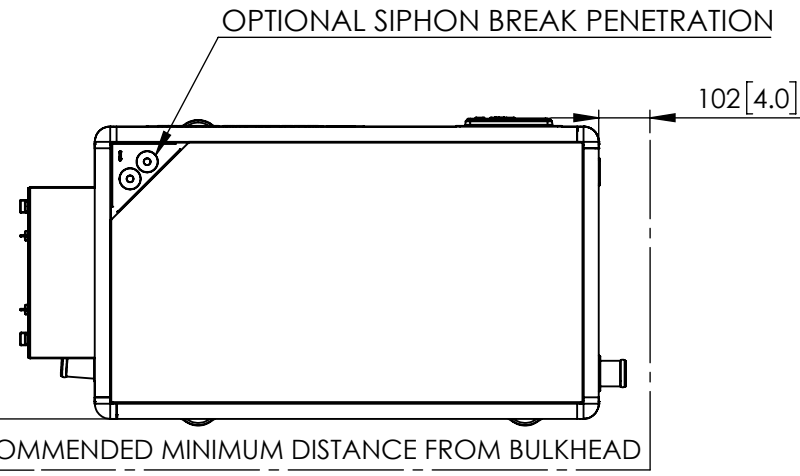


PROPRIETARY AND CONFIDENTIAL
 THE INFORMATION CONTAINED IN THIS DRAWING IS THE SOLE PROPERTY OF NORTHERN LIGHTS. ANY REPRODUCTION IN PART OR AS A WHOLE WITHOUT THE WRITTEN PERMISSION OF NORTHERN LIGHTS IS PROHIBITED.

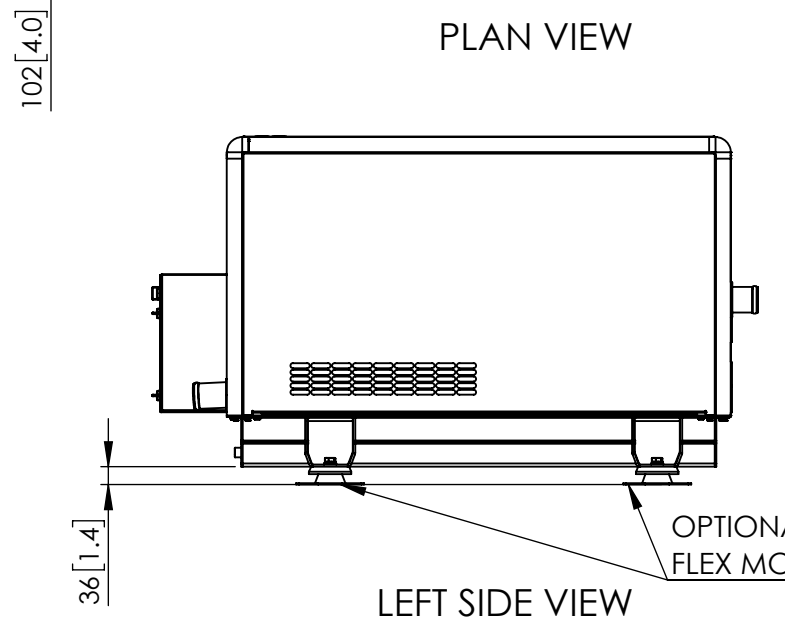
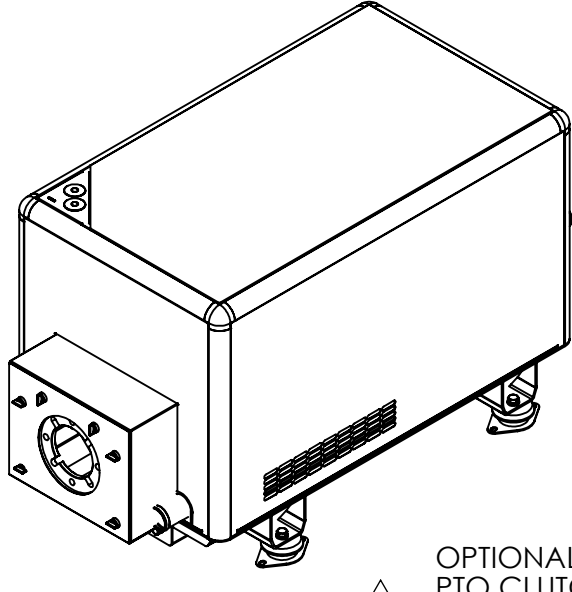
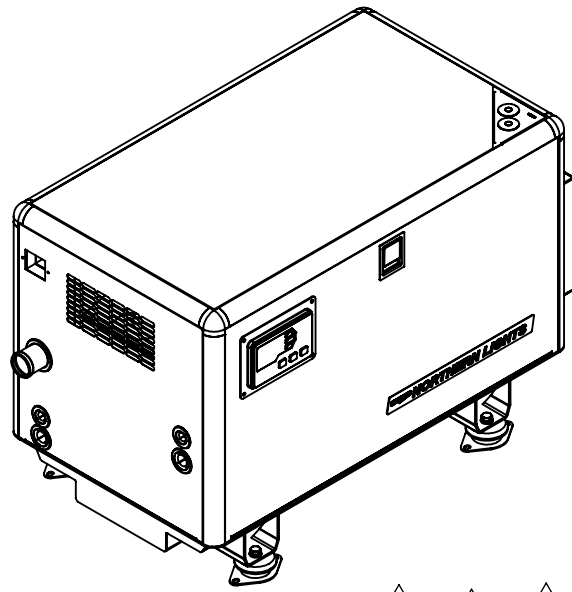
UNLESS OTHERWISE SPECIFIED: DIMENSIONS ARE IN MILLIMETERS TOLERANCES: ANGULAR: MACH ± 0.5° BEND ± 1.0° X. = ± 1.0	COMMENTS			4420 14th AVE. N.W. Seattle, WA 98107 (206) 789-3880 www.northern-lights.com		
				NORTHERN LIGHTS TITLE: INSTALLATION DIMENSIONS M843NW3 SOUND SHIELD		
	INTERPRET GEOMETRIC TOLERANCING PER: ASME Y14.5M	DRAWN	NAME	DATE	SIZE	PART NO.
	MATERIAL	CHECKED	TAH	10/21/16	B	SEE P/N TABLE
FINISH	ENG APPR.			SCALE: 1:20	WEIGHT: X.X LB.	
DO NOT SCALE DRAWING	Q.A.					
DWG. NO.			REV			
B-9904			D			
SHEET 1 OF 3						

P/N	APPLICATION
05-73110	NLI White T009-WH12
05-73120	Traffic White RAL 9016

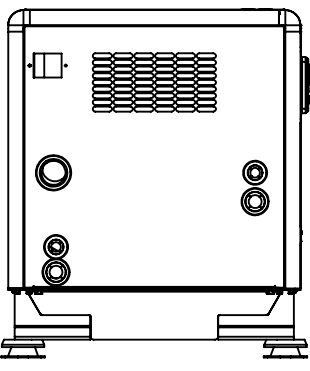
THE DIMENSIONS ON THIS DRAWING ARE SUBJECT TO CHANGE. PLEASE CONTACT NORTHERN LIGHTS INC., TO BE SURE YOU HAVE THE MOST CURRENT REVISION.



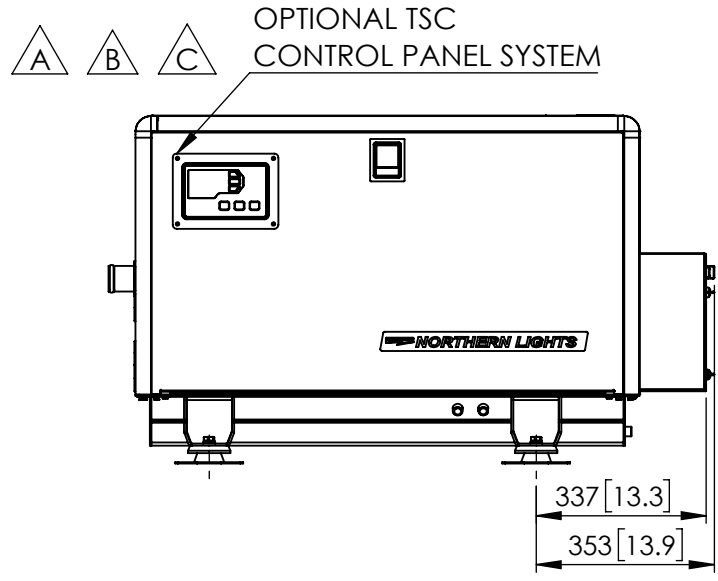
PLAN VIEW



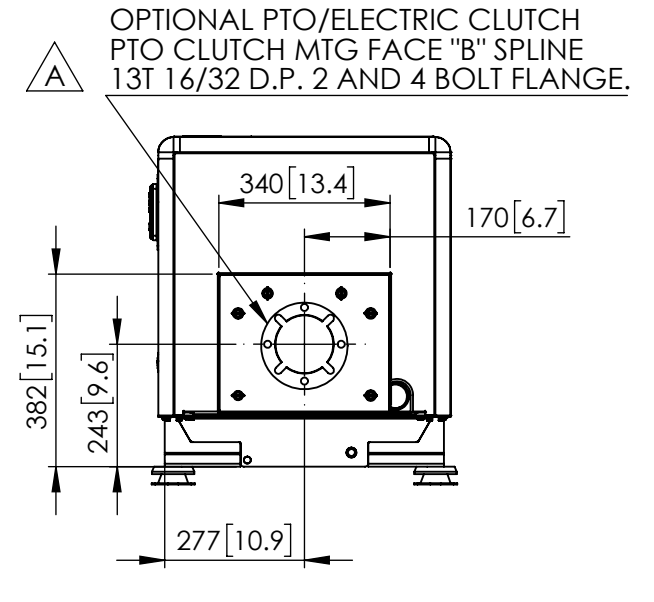
LEFT SIDE VIEW



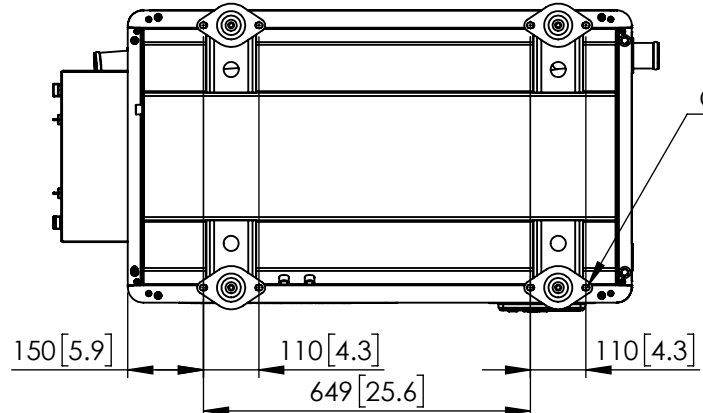
REAR VIEW



RIGHT (SERVICE) SIDE VIEW



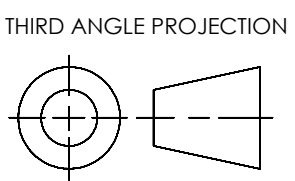
FRONT VIEW



BOTTOM VIEW

11 [0.4] X 15 [0.6] SLOTTED HOLES
2 HOLES, 4 PLACES
OPTIONAL COMPOUND MOUNTS

WEIGHT: 372.8 KG [822 LB]
WITH OIL AND WATER
ADD 31.8 KG [70 LB] FOR PTO OPTION



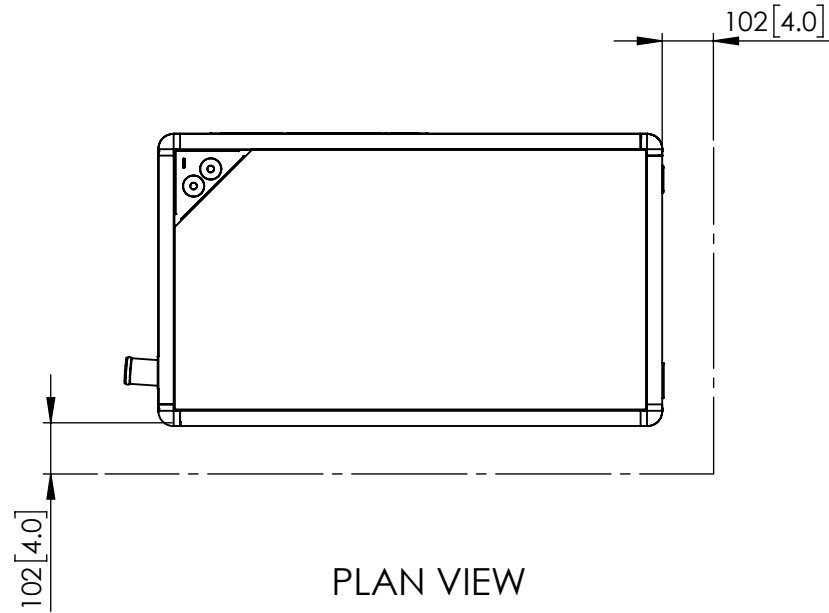
THIRD ANGLE PROJECTION
PROPRIETARY AND CONFIDENTIAL
THE INFORMATION CONTAINED IN THIS DRAWING IS THE SOLE PROPERTY OF NORTHERN LIGHTS. ANY REPRODUCTION IN PART OR AS A WHOLE WITHOUT THE WRITTEN PERMISSION OF NORTHERN LIGHTS IS PROHIBITED.

REV.	DESCRIPTION	DATE	BY	CHECKED
D	ADDED SHEET 3 FOR DEPICTION OF FORWARD EXHAUST OPTION. FILED UNDER ECN # 5149	11/6/2017	AZB	LTP 11/6/2017
C	ADDED TSC CONTROL PANEL OPTION AND ALTERED DRAWING FORMAT TO SHOW STANDARD ENCLOSURE ON SHEET 1 AND ALL OPTIONS ON SHEET 2. FILED UNDER ECN #4392	10/21/2016	AZB	TAH 10/15/15
B	DELETE DISCONTINUED WAVENET OPTION AND RELATED DIMENSIONS, UPDATE LOGO, FILED ECN#3557	4/15/2011	LTP	MG 4/19/2011
A	SHOW PTO AND WAVENET OPTION. FILED ECN#1685	10/9/2015	LTP	TAH 10/15/15

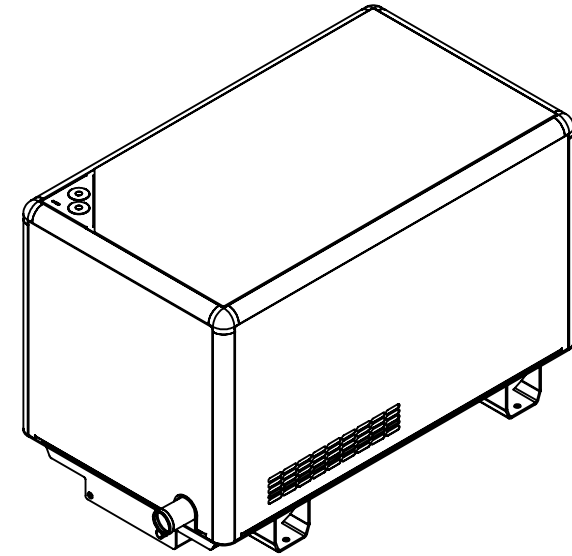
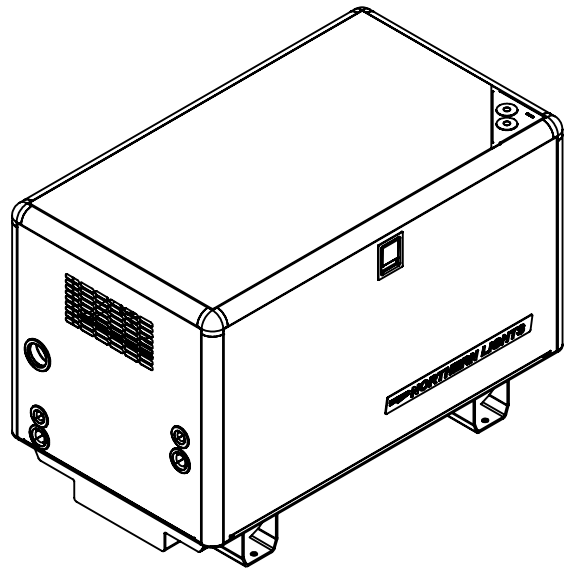
REVISIONS				
UNLESS OTHERWISE SPECIFIED: DIMENSIONS ARE IN MILLIMETERS TOLERANCES: ANGULAR: MACH ± 0.5° BEND ± 1.0° X. = ± 1.0		COMMENTS		
INTERPRET GEOMETRIC TOLERANCING PER: ASME Y14.5M	DRAWN	NAME	DATE	 NORTHERN LIGHTS 4420 14th AVE. N.W. Seattle, WA 98107 (206) 789-3880 www.northern-lights.com INSTALLATION DIMENSIONS M843NW3 SOUND SHIELD
MATERIAL	CHECKED	TAH	10/21/16	
FINISH	ENG APPR.			
DO NOT SCALE DRAWING	Q.A.			
SIZE		PART NO.	DWG. NO.	REV
B		SEE P/N TABLE	B-9904	D
SCALE: 1:20			WEIGHT: X.X LB.	SHEET 2 OF 3

P/N	APPLICATION
05-73110	NLI White T009-WH12
05-73120	Traffic White RAL 9016

THE DIMENSIONS ON THIS DRAWING ARE SUBJECT TO CHANGE.
PLEASE CONTACT NORTHERN LIGHTS INC., TO BE SURE YOU HAVE
THE MOST CURRENT REVISION.

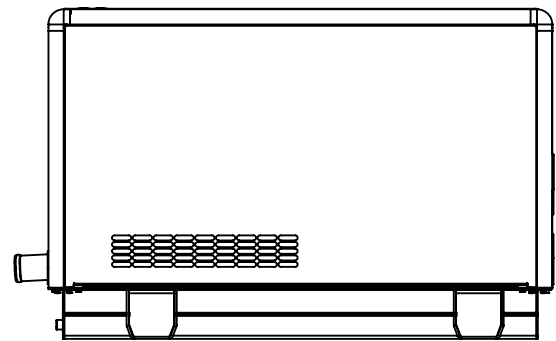


PLAN VIEW



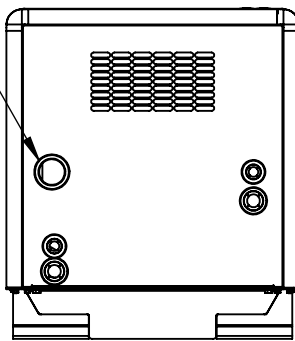
D
C
B
A

D
C
B
A



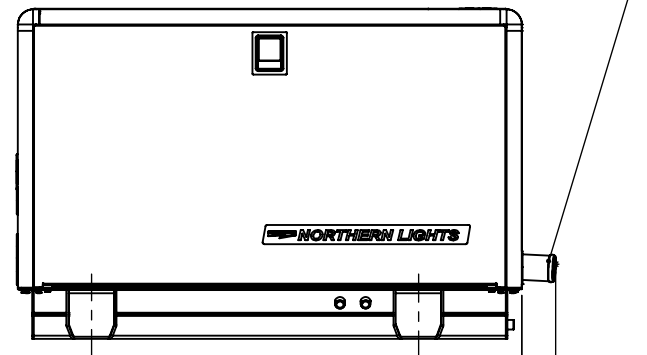
LEFT SIDE VIEW

PLUGGED WITH FORWARD EXHAUST OPTION

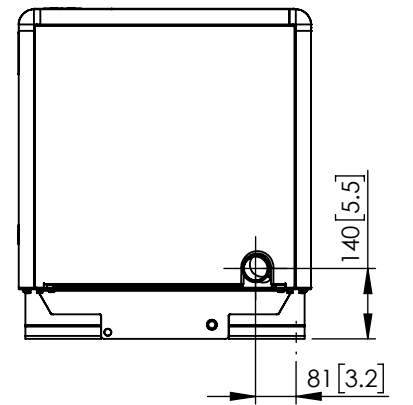


REAR VIEW

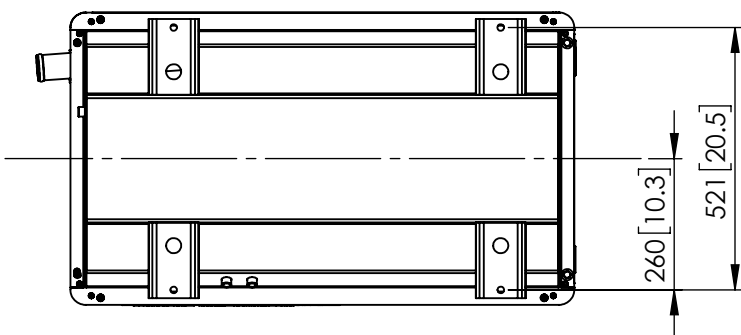
NOTE: FORWARD EXHAUST OPTION NOT CURRENTLY
COMPATIBLE WITH PTO OPTION
OPTIONAL FORWARD EXHAUST PENETRATION



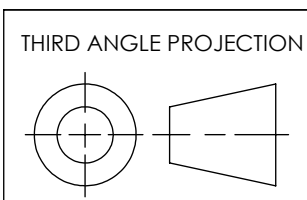
RIGHT (SERVICE) SIDE VIEW



FRONT VIEW



BOTTOM VIEW



PROPRIETARY AND CONFIDENTIAL
THE INFORMATION CONTAINED IN THIS
DRAWING IS THE SOLE PROPERTY OF
NORTHERN LIGHTS. ANY REPRODUCTION
IN PART OR AS A WHOLE WITHOUT THE
WRITTEN PERMISSION OF
NORTHERN LIGHTS IS PROHIBITED.

UNLESS OTHERWISE SPECIFIED: DIMENSIONS ARE IN MILLIMETERS TOLERANCES: ANGULAR: MACH ± 0.5° BEND ± 1.0° .X = ± 0.5 .XX = ± 0.3		COMMENTS	
INTERPRET GEOMETRIC TOLERANCING PER: ASME Y14.5M	DRAWN	NAME	DATE
MATERIAL	CHECKED	TAH	10/21/2016
FINISH	ENG APPR.		
DO NOT SCALE DRAWING	MFG APPR.		
	Q.A.		



4420 14th AVE. N.W.
Seattle, WA 98107
(206) 789-3880
www.northern-lights.com

TITLE: **INSTALLATION DIMENSIONS**
M843NW3 SOUND SHIELD

SIZE B	PART NO. SEE P/N TABLE	DWG. NO. B-9904	REV D
SCALE: 1:20		WEIGHT: X.X LB.	SHEET 3 OF 3

8 7 6 5 4 3 2 1