

8 7 6 5 4 3 2 1

D

D

C

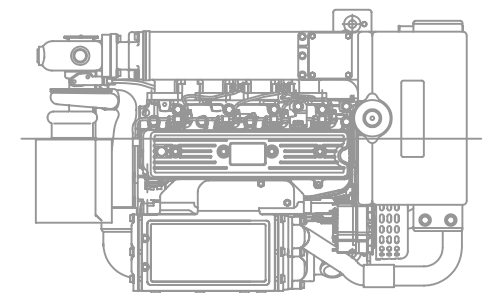
C

B

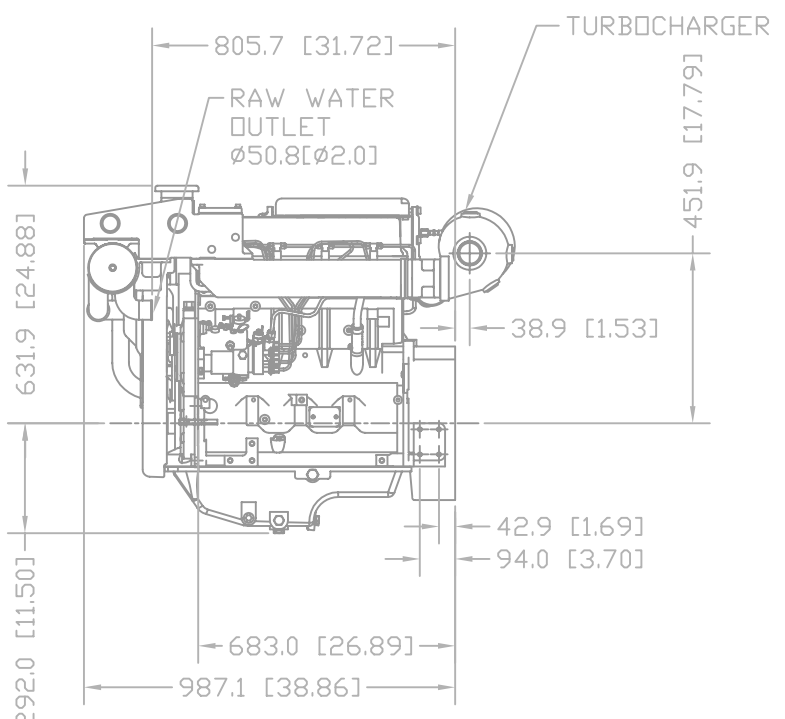
B

A

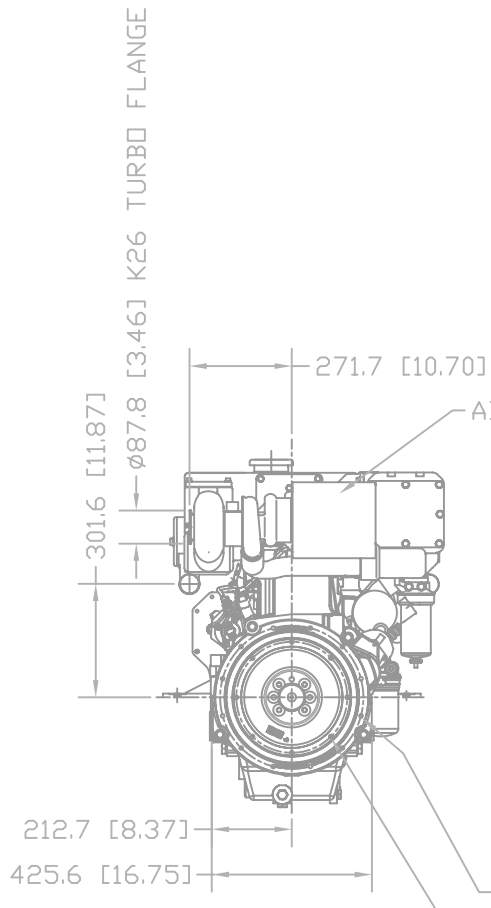
A



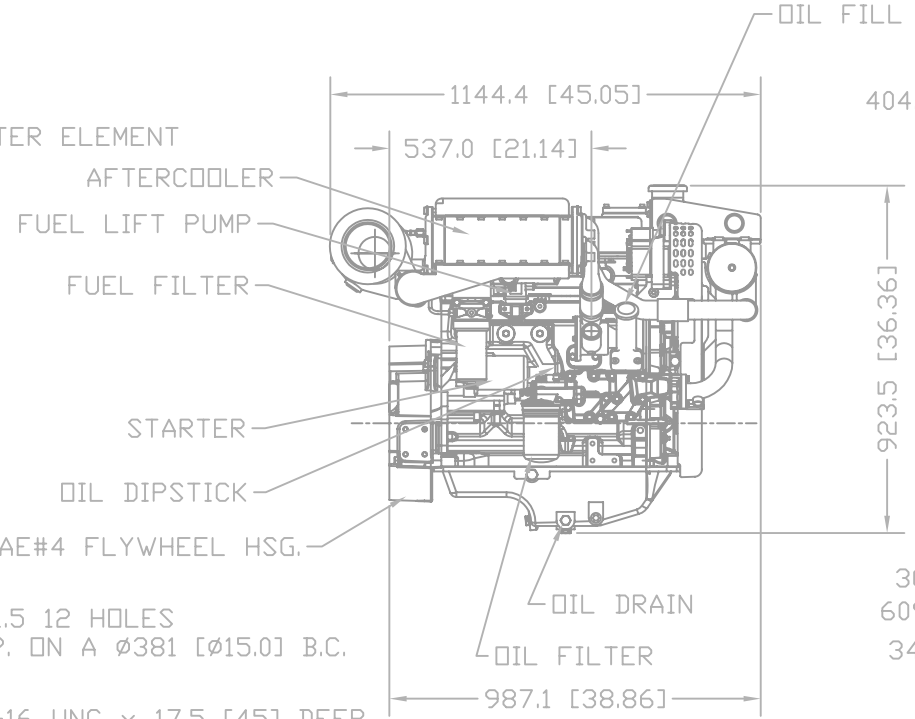
PLAN VIEW



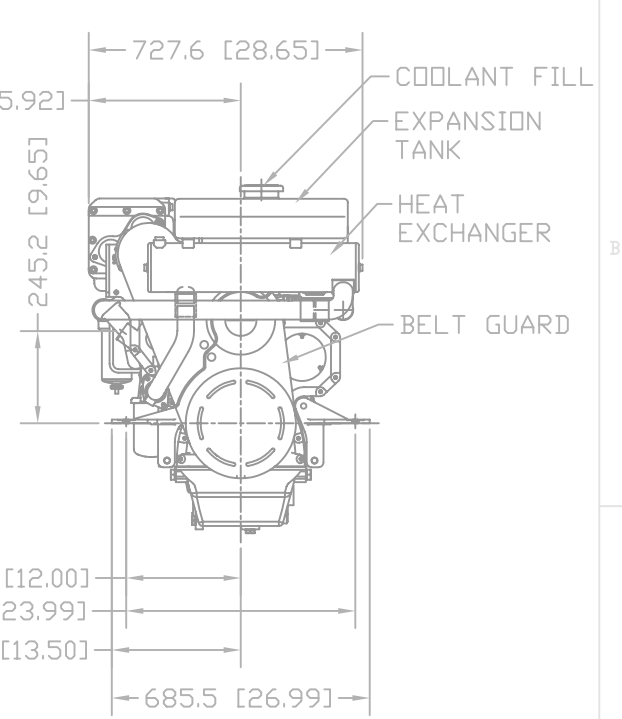
LH SIDE ELEVATION



REAR VIEW



RH SIDE ELEVATION



FRONT VIEW

212.7 [8.37]
 425.6 [16.75]
 301.6 [11.87]
 Ø87.8 [3.46] K26 TURBO FLANGE

AIR FILTER ELEMENT
 AFTERCOOLER
 FUEL LIFT PUMP
 FUEL FILTER
 STARTER
 OIL DIPSTICK
 SAE#4 FLYWHEEL HSG.
 OIL FILTER
 OIL DRAIN

ØM10-1.5 12 HOLES
 EQ. SP. ON A Ø381 [Ø15.0] B.C.
 Ø3/8-16 UNC x 17.5 [45] DEEP
 8 HOLES EQ. SP. ON A
 Ø295.28[Ø11.63] B.C.

TOLERANCES UNLESS OTHERWISE SPECIFIED		mm [in]	
XXX: 0.25 [0.01]	XXX: 0.127 [0.005]	ANGULAR: ±1.0	
CAD	DATE	IP	4/21/04
THIRD ANGLE PROJECTION	SCALE: 1:10	TITLE: ENGINE ARRANGEMENT DRAWING	
SHEETS: 1 OF 1	UNITS OF MEASURE: MM [IN]	L/M1004A 2 VALVE / HEAT EXCHANGER	
		REV	D-3681

ALASKA DIESEL ELECTRIC
 4420 14th AVE. N.W., P.O. BOX 70543
 SEATTLE, WA 98107 (206) 789-3880