

8

7

6

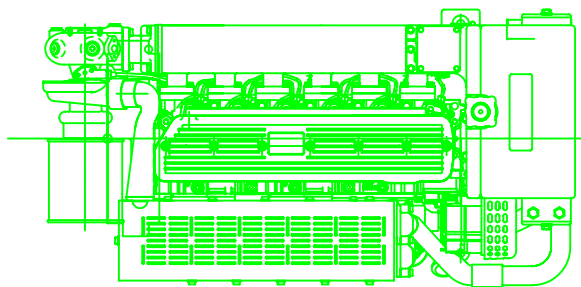
5

4

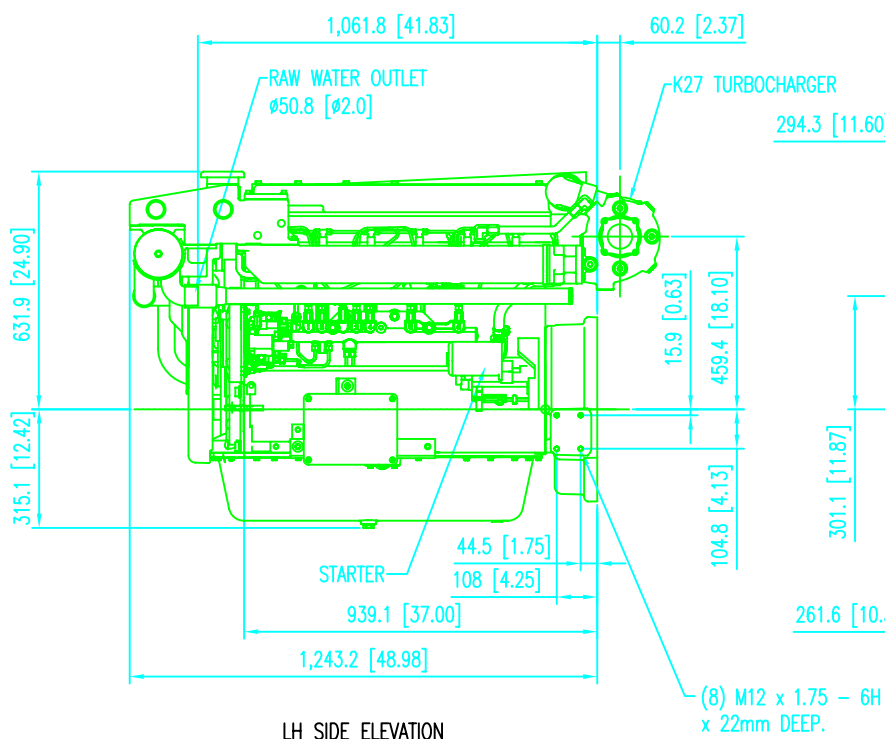
3

2

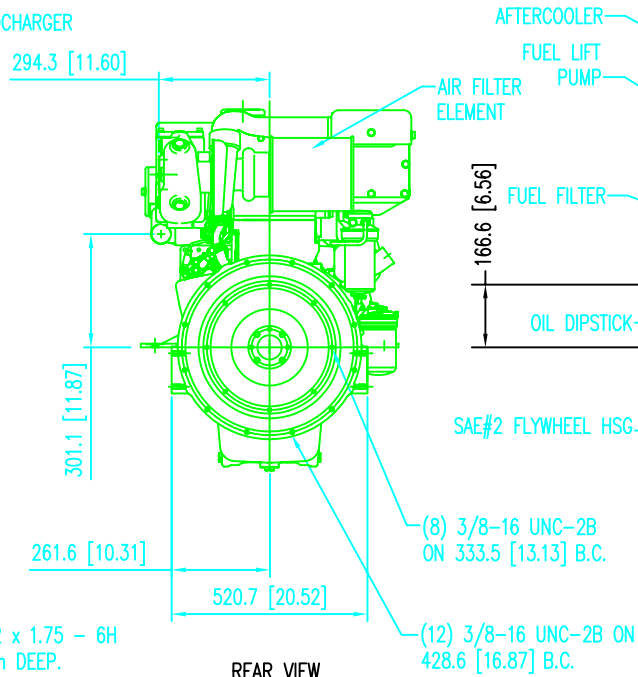
1



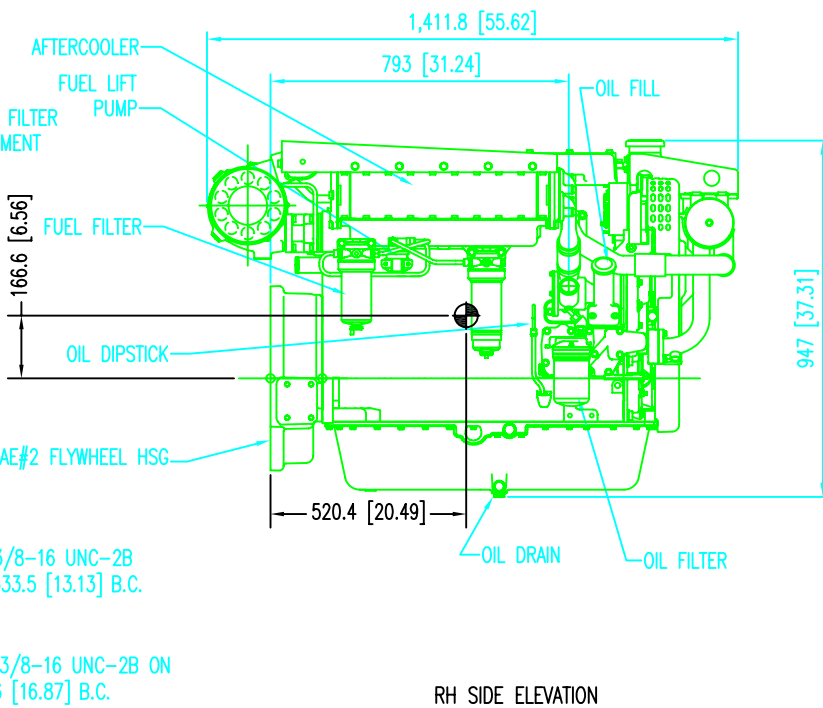
PLAN VIEW



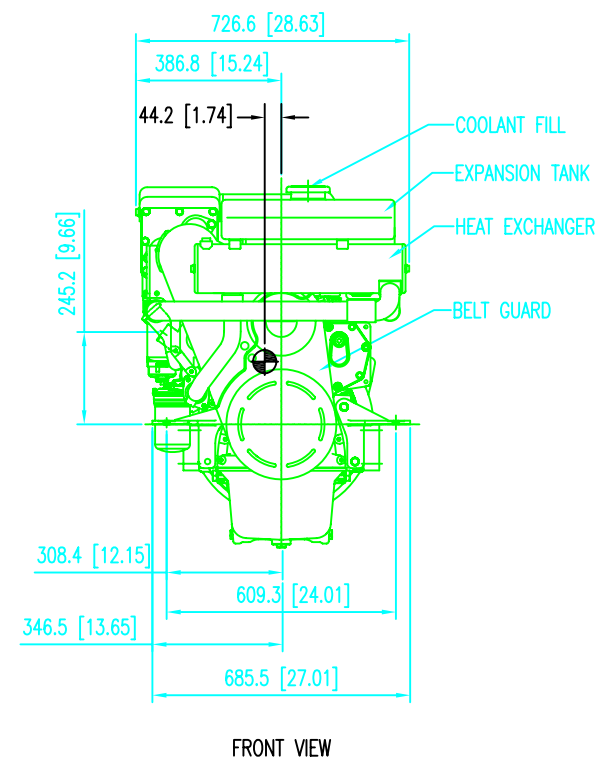
LH SIDE ELEVATION



REAR VIEW



RH SIDE ELEVATION



FRONT VIEW

TOLERANCES UNLESS OTHERWISE SPECIFIED		REVISED	
SIZE	DATE	DESCRIPTION	BY
ALASKA DIESEL ELECTRIC		REVISTIONS	
4420 14th AVE. N.W., P.O. BOX 70543 SEATTLE, WA 98107 (206) 789-3880			
JOB: $\pm$	SCALE: 1:10	DATE: 6/15/04	TITLE: ENGINE ARRANGEMENT DRAWING
XXX: $\pm$	RELEASED:		L/101004/H 4 W/16 / HEAT EXCHANGER
ANGULAR: $\pm$	SHEETS: 1 OF	P/W	DWG. NO. D-3707
REVISE ON CAD ONLY	UNITS OF MEASURE: MM (IN)		
THIRD ANGLE PROJECTION			