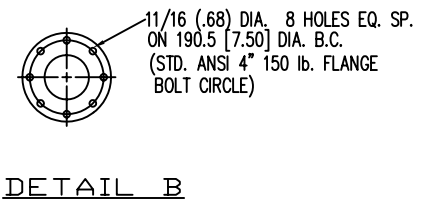
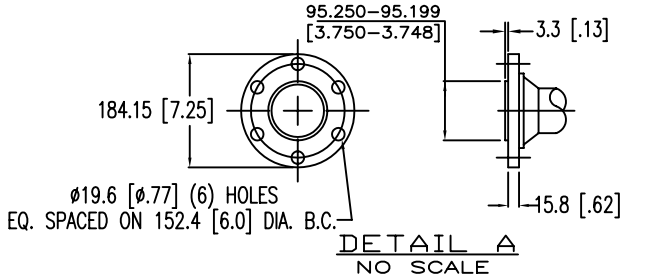
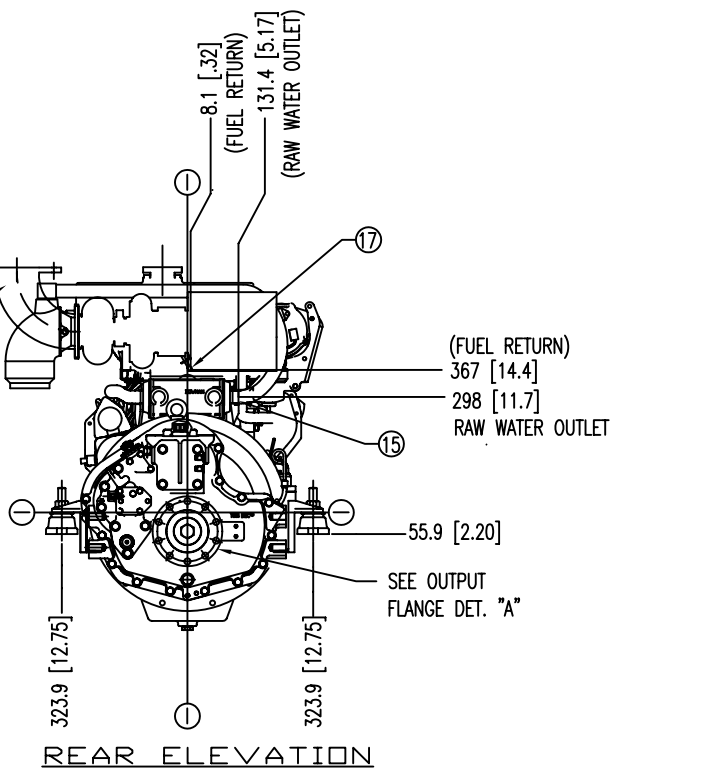
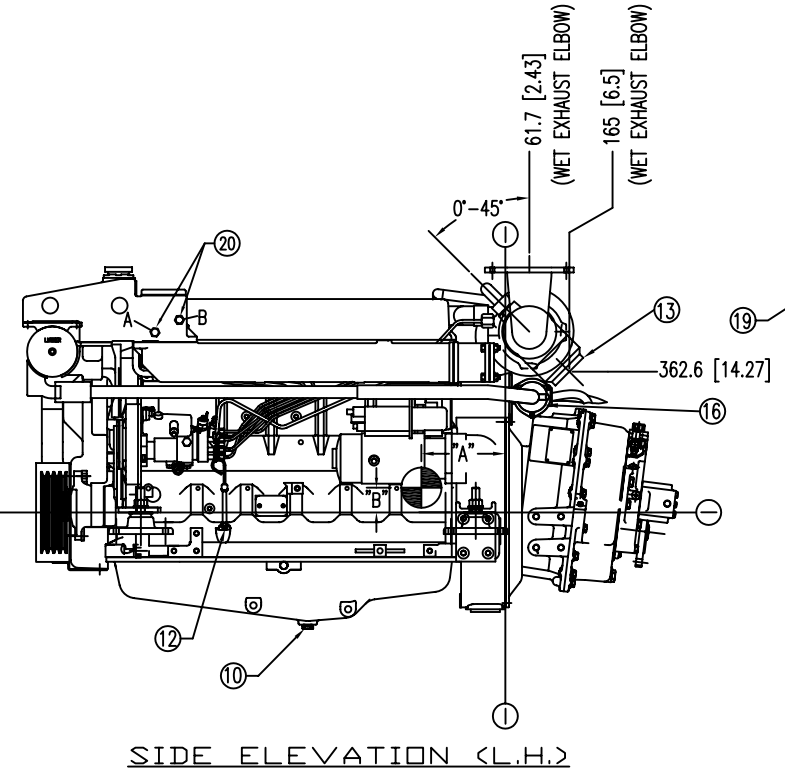
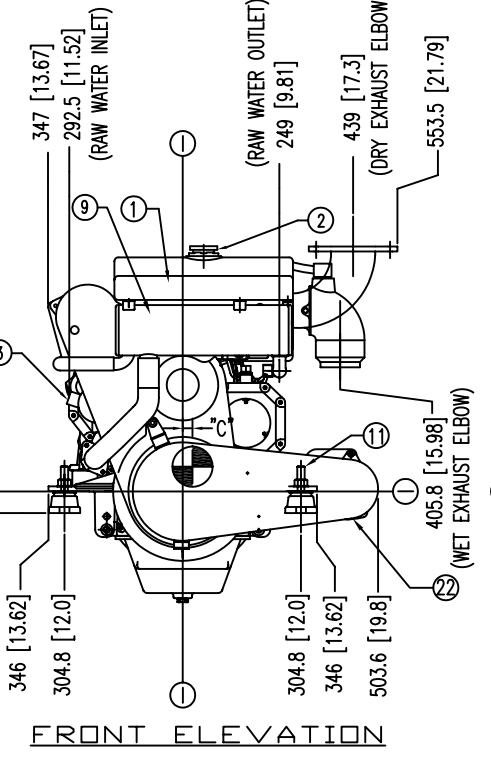
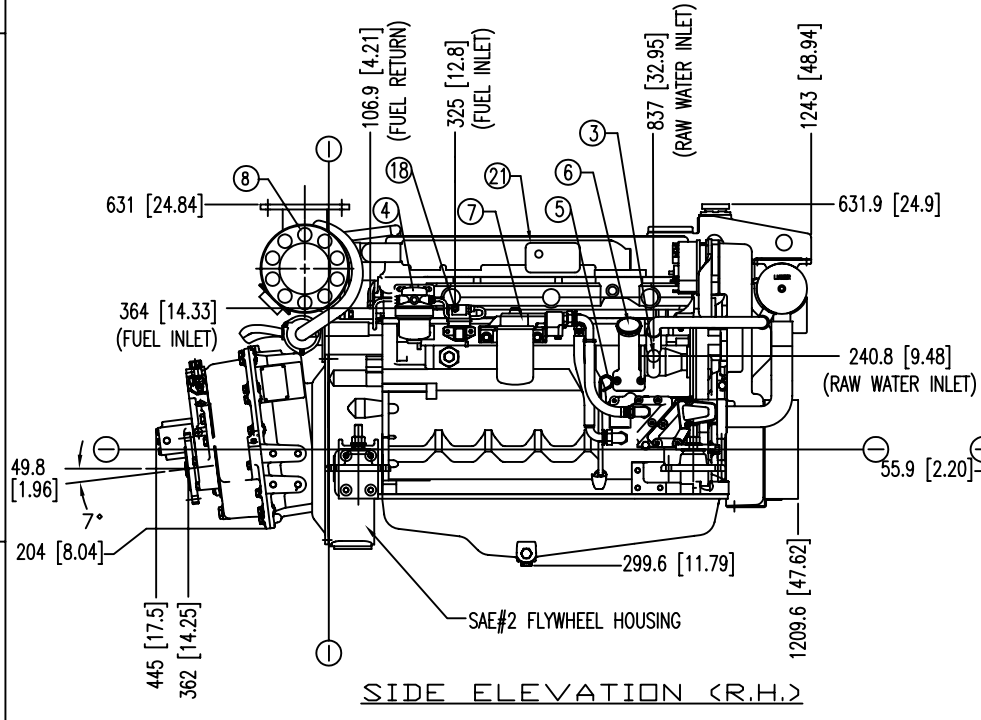
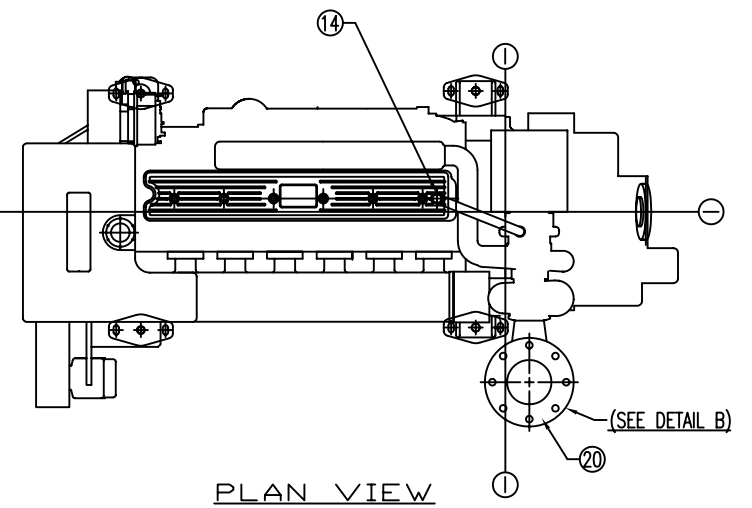
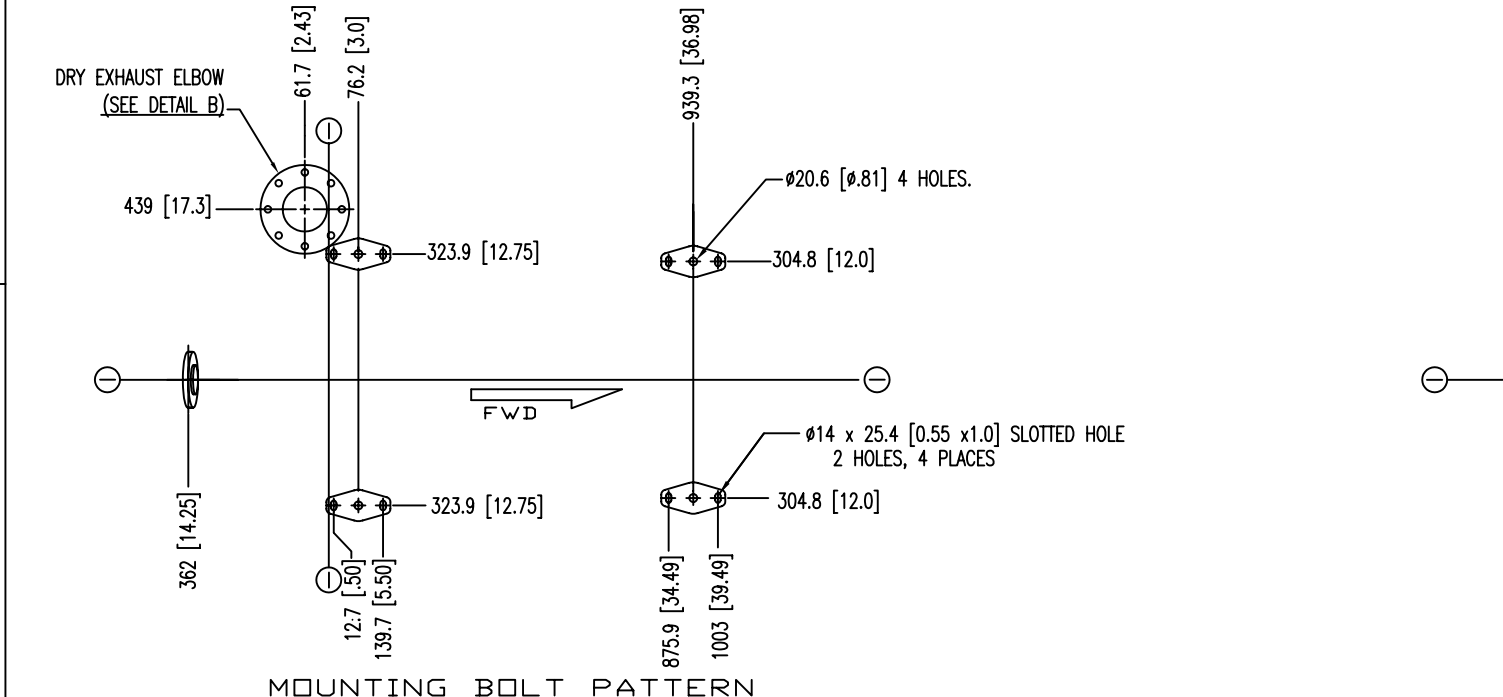


APPROX DRY WT. kg [lbs]	CENTER of GRAVITY mm [in]		
	A	B	C
782 [1725]	439 [17.3]	81 [3.2]	43 [1.8]

LEGEND			
ITEM	DESCRIPTION	ITEM	DESCRIPTION
1	EXPANSION TANK	12	ALTERNATE DIPSTICK LOCATION (OPTION)
2	COOLANT FILL	13	5" WET EXHAUST ELBOW (OPTION)
3	RAW WATER PUMP INLET (Ø1.25 [Ø31.8])	14	CLOSED CRANKCASE VENTILATION SYSTEM
4	FUEL FILTER	15	RAW WATER OUTLET - DRY EXHAUST (Ø1.25 [Ø31.8])
5	CRANKCASE OIL DIPSTICK	16	GEAR OIL COOLER
6	CRANKCASE OIL FILLER	17	FUEL RETURN (1/4" M. 37-T JIC)
7	CRANKCASE OIL FILTER	18	FUEL INLET (3/8" F. NPT)
8	AIR INLET FILTER	19	DRY EXHAUST ELBOW 4" 150# STD. FLG (OPTION)
9	HEAT EXCHANGER	20	CONNECTION FOR WATER HEATER B= HOT WATER OUT A= RETURN TO ENGINE.
10	ENGINE OIL DRAIN	21	CIRCUIT BREAKER / RELAY BOX
11	FLEX MOUNTS	22	SECOND ALTERNATOR (OPTION)



THE DIMENSIONS ON THIS DRAWING ARE SUBJECT TO CHANGE PLEASE CONTACT ADE TO BE SURE YOU HAVE THE MOST CURRENT REVISION.

SYMBOL	DATE	DESCRIPTION	BY	CHECKED
REVISIONS				
DRAWN:	LTP	11/13/06		
CHECKED:				
APPROVED:				
SCALE:	1:10	(.1" = 1")		
RELEASED:				
SHEETS:	1 OF 1			
UNITS OF MEASURE:	INCH [MM]			
REVISE ON CAD ONLY				

07/20/07	REMOVE S/D NUMBERS	RDH	
ALASKA DIESEL ELECTRIC			
4420 14th AVE. N.W., P.O. BOX 70543			
SEATTLE, WA 98107 (206) 789-3880			
TITLE: INSTALLATION DIMENSIONS			
L1066T/TD MC5075A 2.88:1 / H.E./ FLEXMOUNTS			
DWG. NO.:	D-4177	REV.:	A