

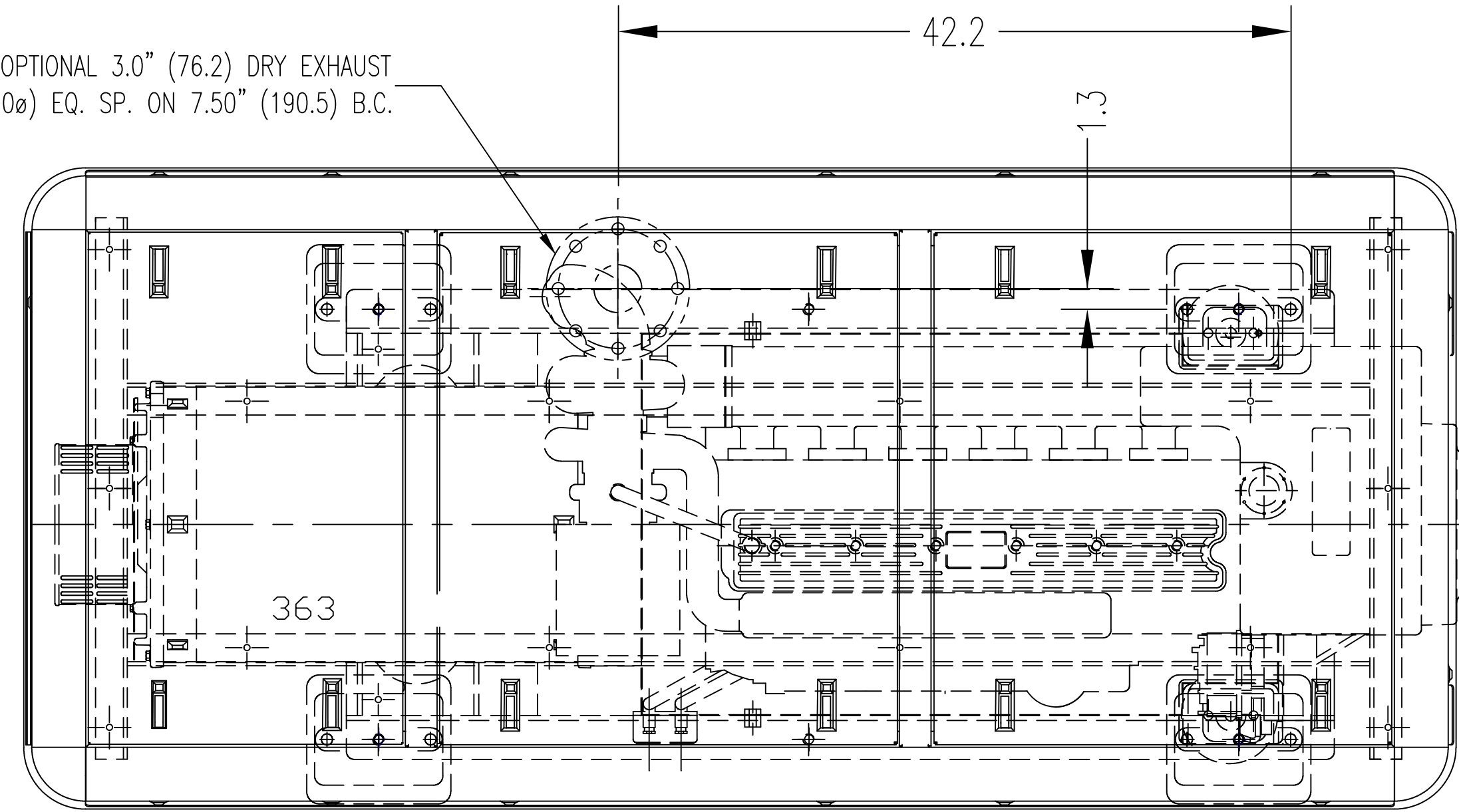
SOUND SHIELD APPLICATION

MODEL	kW	PHASE	RPM	Hz
M1066T/363	99	3Ø	1800	60
M1066T/363	80	3Ø	1500	50

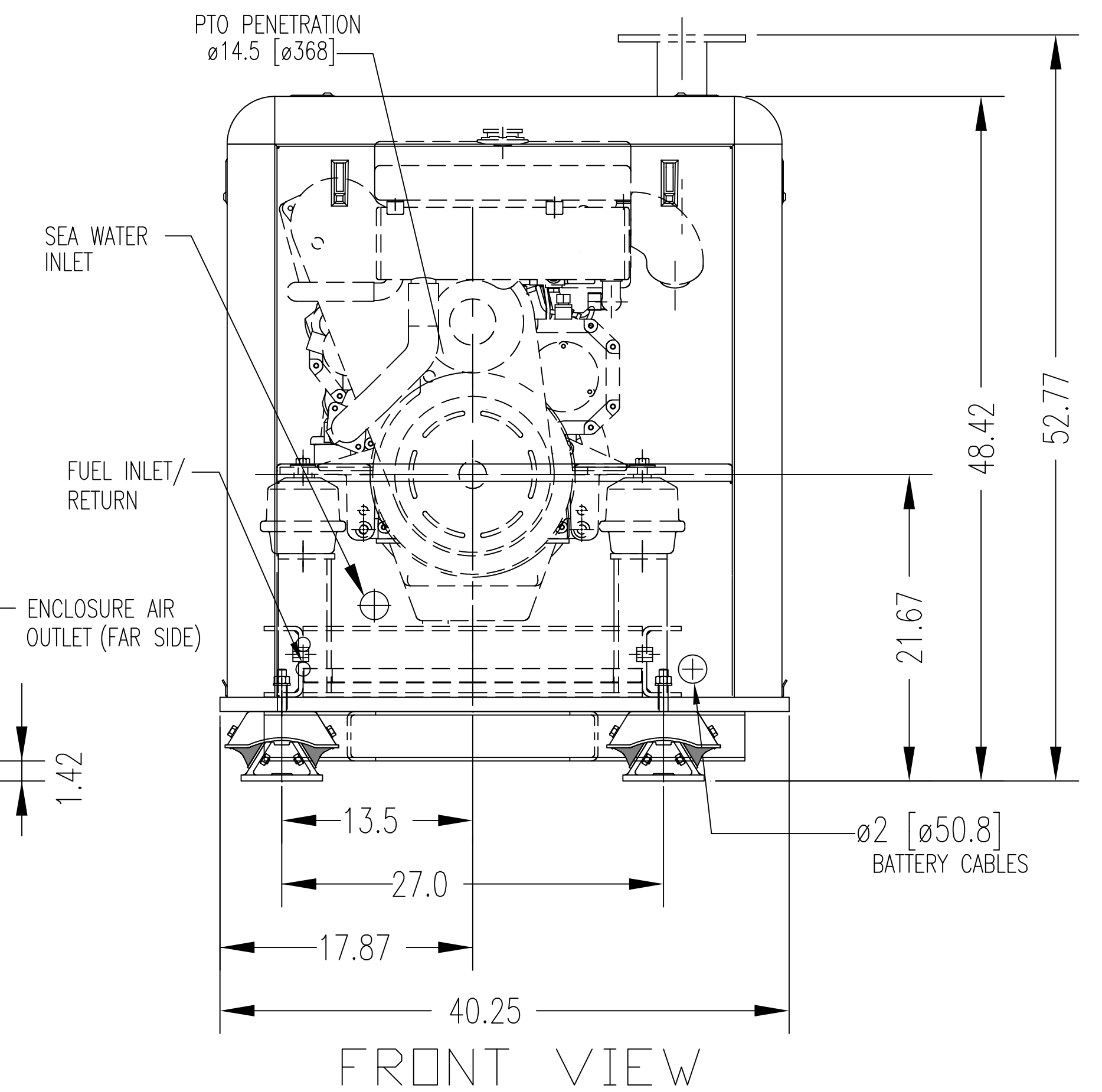
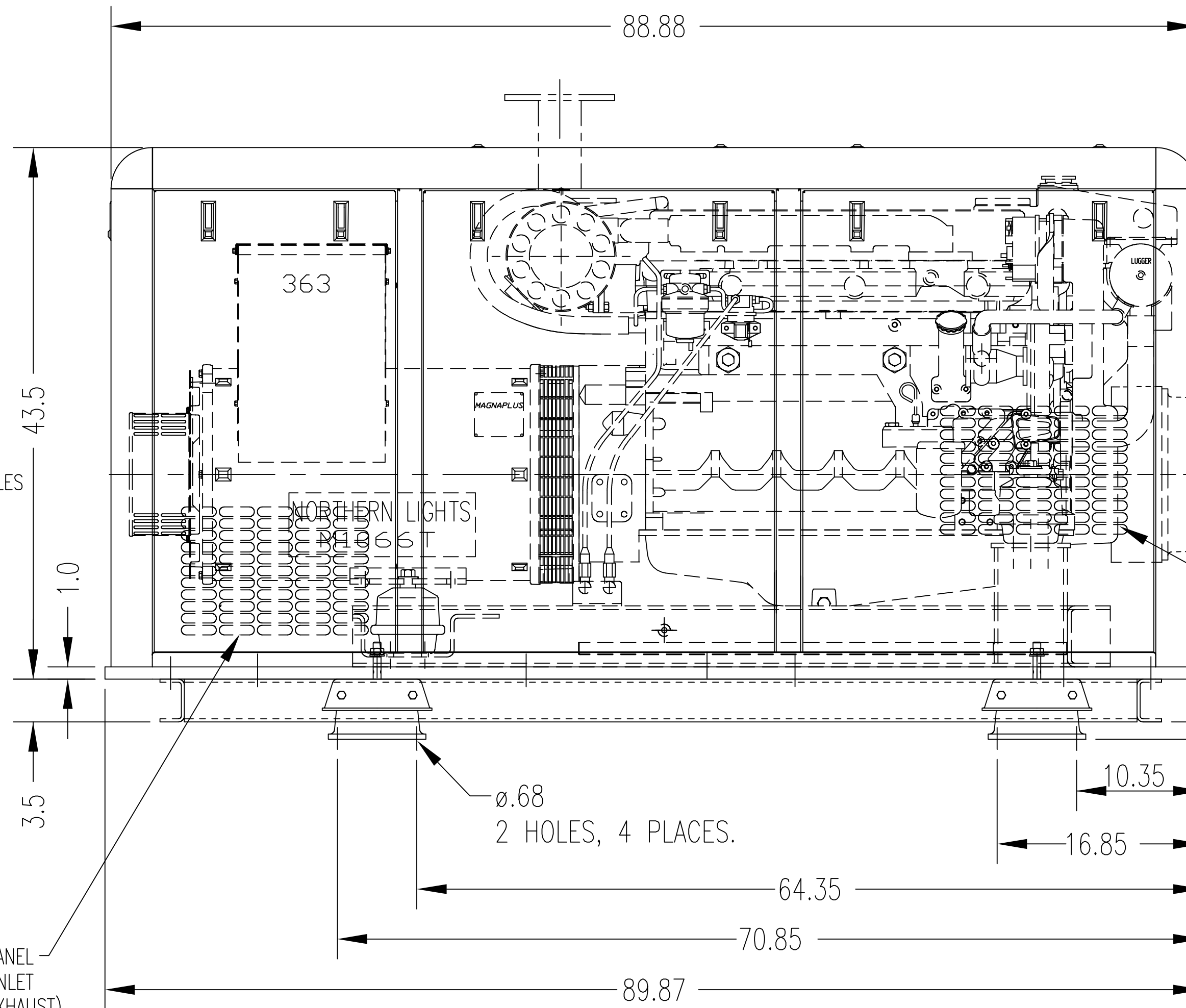
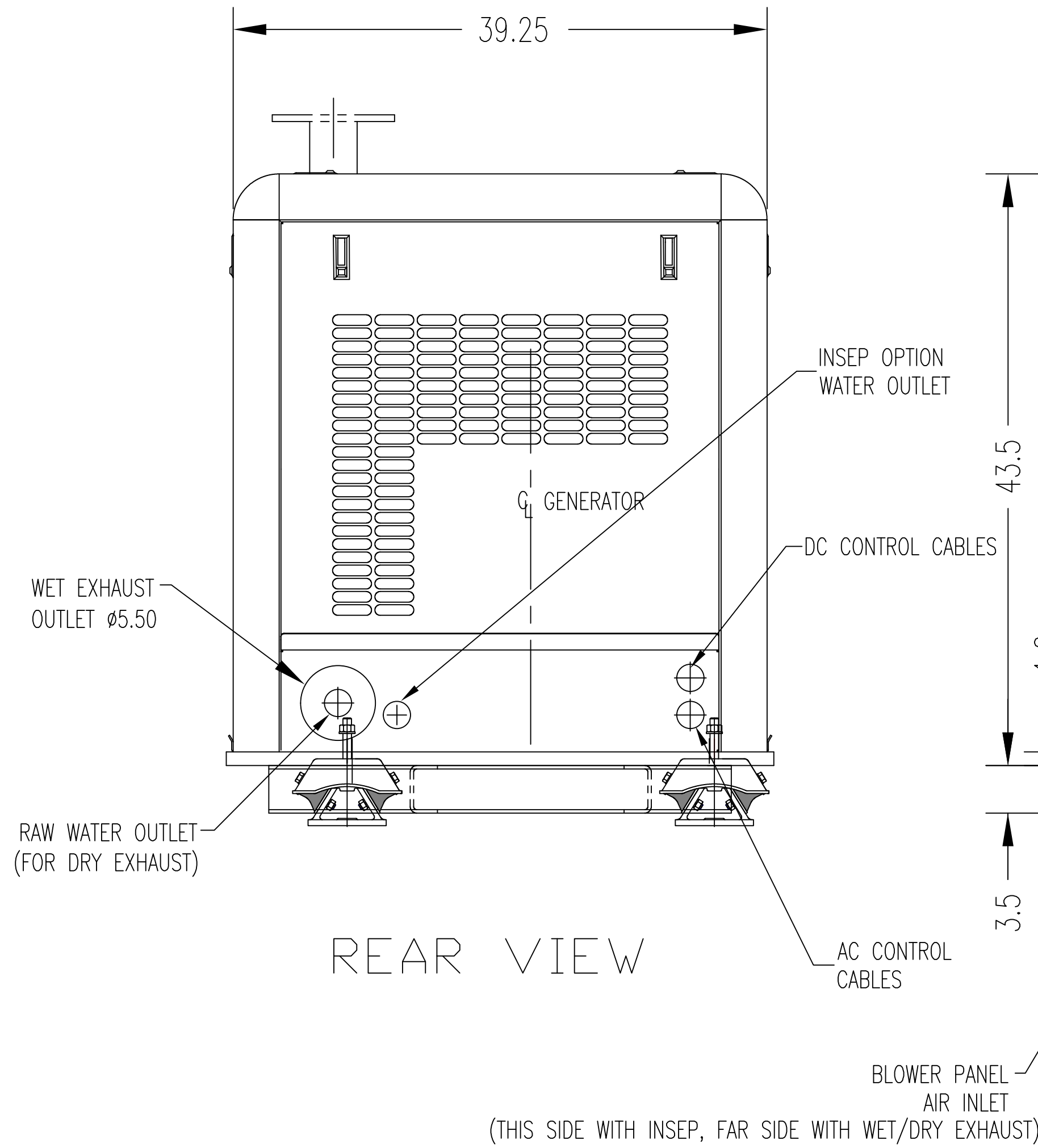
NOTES:

- 1) APPROX WEIGHT: (SHIELD ONLY, FULLY INSULATED)
STD BASE AND STD FOAM:
601 lbs. [273 kg.]

OPTIONAL 3.0" (76.2) DRY EXHAUST
.63" Ø (16.0Ø) EQ. SP. ON 7.50" (190.5) B.C.



PLAN VIEW



SYMBOL	DATE	DESCRIPTION	BY	CHECKED
REVISIONS				
TOLERANCES UNLESS OTHERWISE SPECIFIED .XX: ± .XXX: ± ANGULAR: ±				
NORTHERN LIGHTS 4420 14th AVE. N.W. SEATTLE, WA 98107 (206) 789-3880				
DRAWN: LTP 12/21/08 CHECKED: [] RELEASED: [] SHEETS: 1 OF 1 UNITS OF MEASURE: INCHES		TITLE: INSTALLATION DIMENSIONS M1066T 3Ø SOUND SHIELD w/COMPOUND MOUNTS DWG. NO: D-4341 REV: []		

