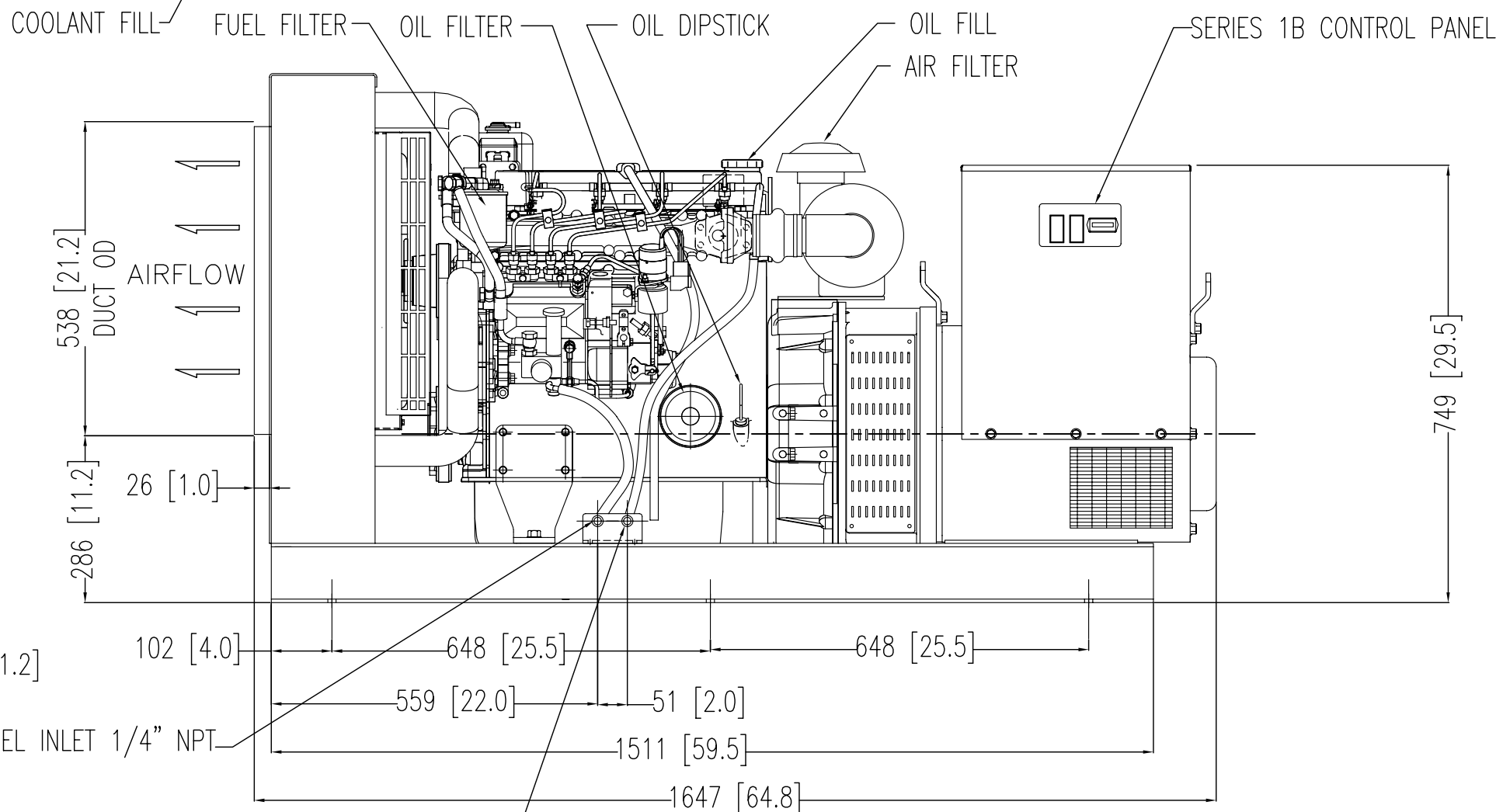
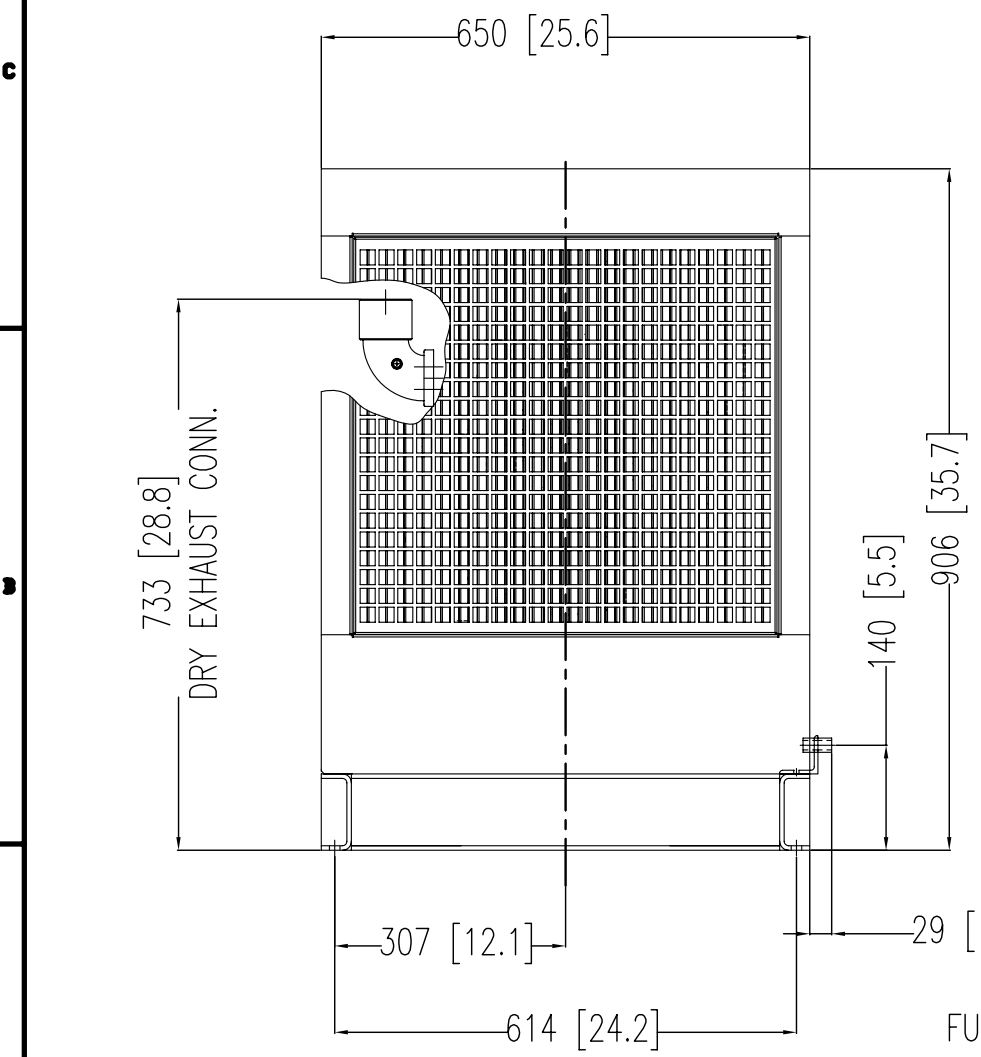
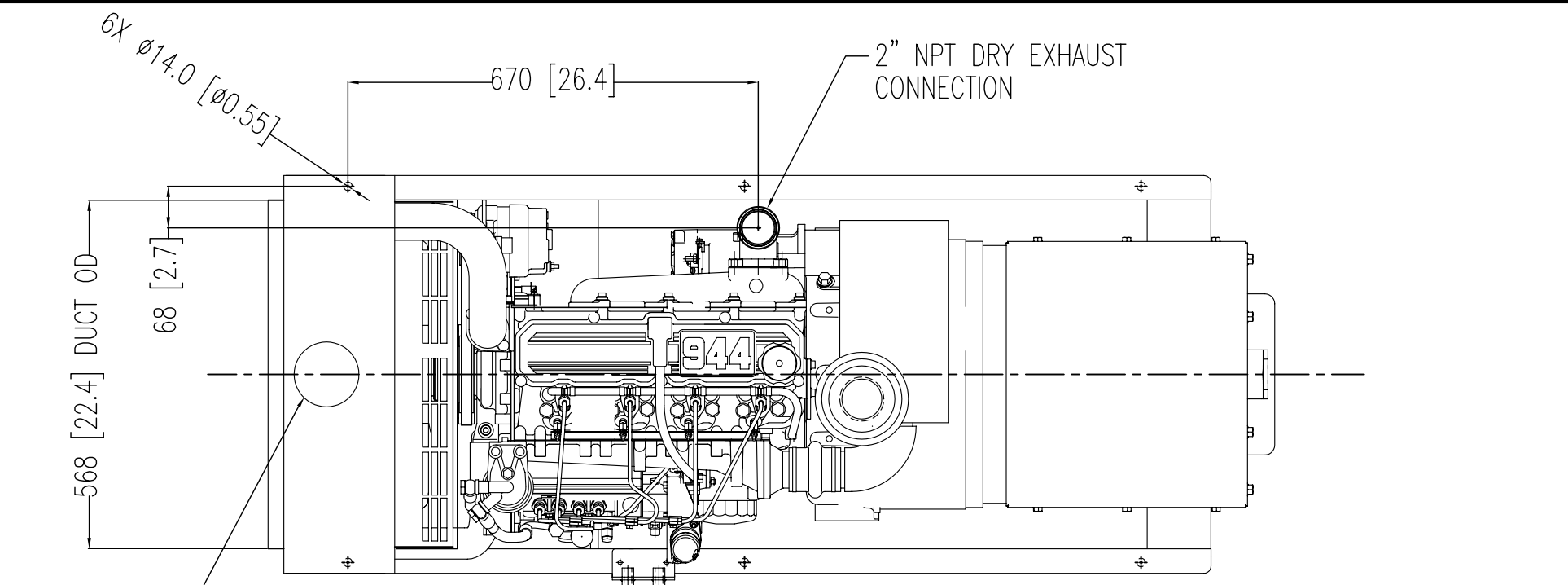


MODEL	TOTAL WEIGHT (w/OIL, NO WATER)
NL944D3.1S 28KW 1800 RPM 60 HZ 3 PHASE	619 kG [1364 lbs]
NL944D3.2S 28KW 1800 RPM 60 HZ 1 PHASE	619 kG [1364 lbs]



THE DIMENSIONS ON THIS DRAWING ARE SUBJECT TO CHANGE. PLEASE CONTACT NORTHERN LIGHTS TO BE SURE YOU HAVE THE MOST CURRENT REVISION.



SYMBOL		DATE	DESCRIPTION	BY	CHECKED
REVISIONS					
<b>NORTHERN LIGHTS</b>					
4430 14th Avenue N.W. Scotts, WA 98187 (206) 750-3000 www.northern-lights.com					
TOLERANCES UNLESS OTHERWISE SPECIFIED	XXX: ±	XX: ±	XX: ±	XX: ±	XX: ±
XXX: ±	XX: ±	XX: ±	XX: ±	XX: ±	XX: ±
ANGULAR: ±1.0					
CAD	IP	8/29/09	TITLE:		
THIRD ANGLE PROJECTION	SCALE: 1:10		INSTALLATION DIMENSIONS		
SHEETS: 1 OF 1	P/N				
UNITS OF MEASURE: MM					