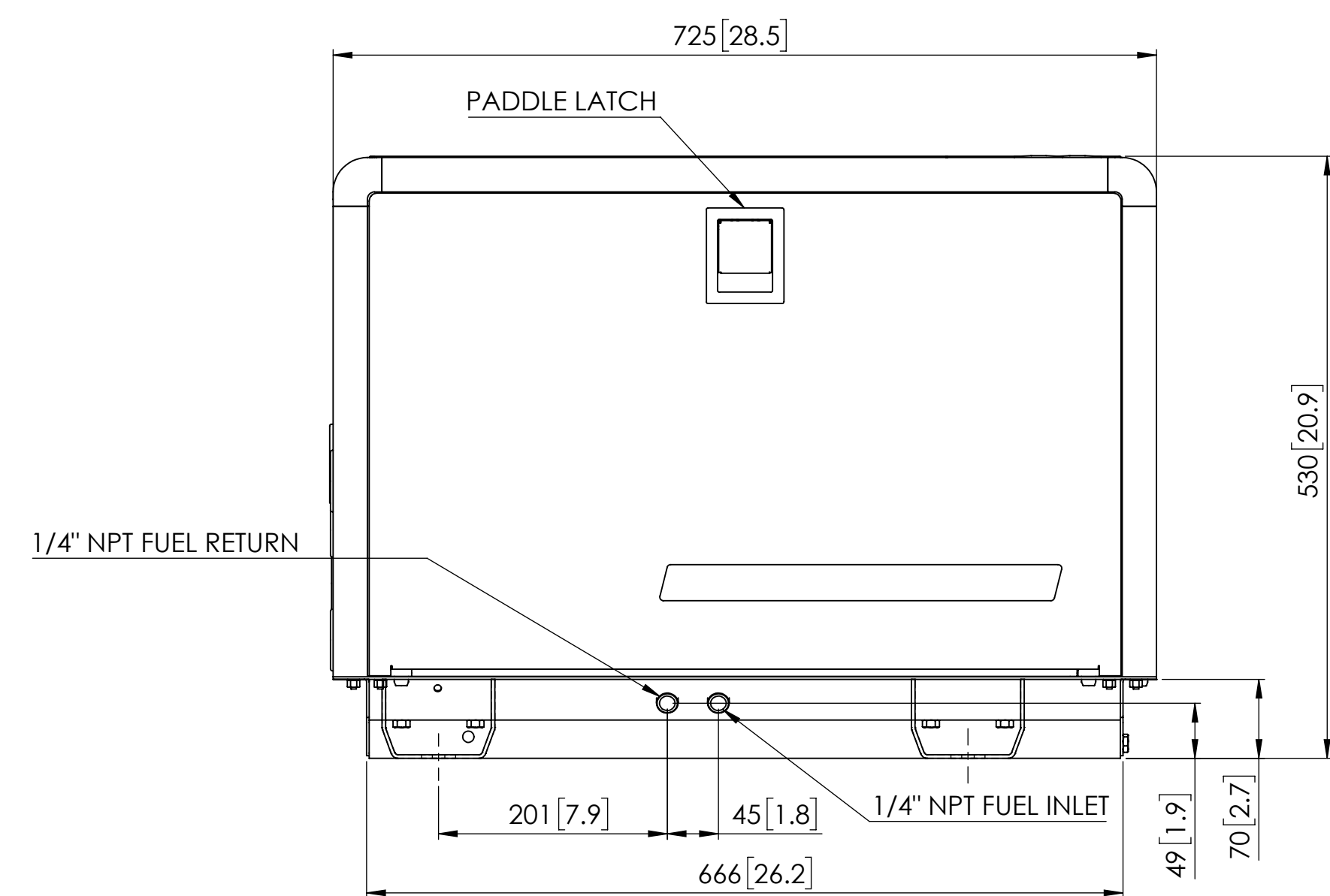
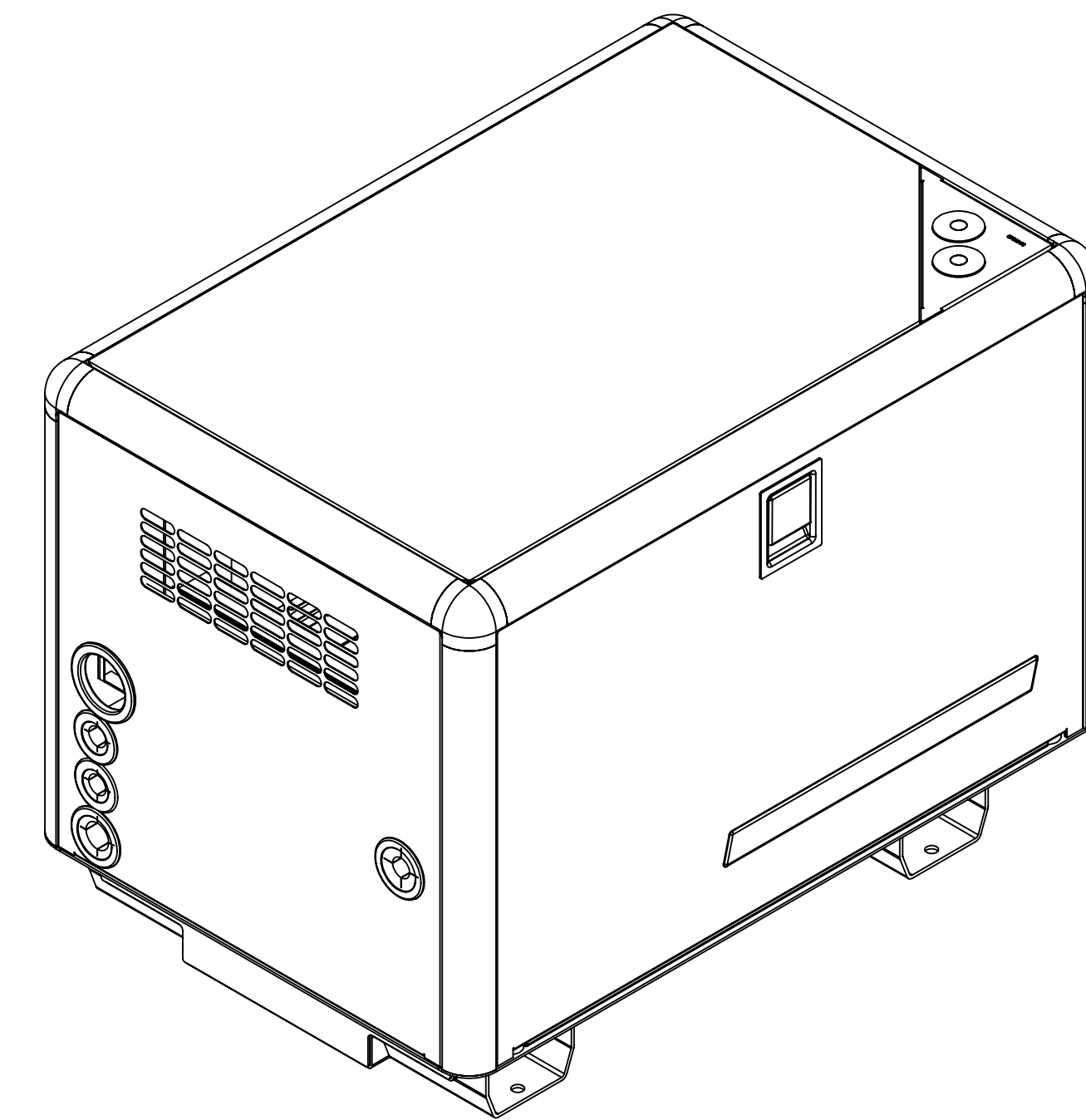
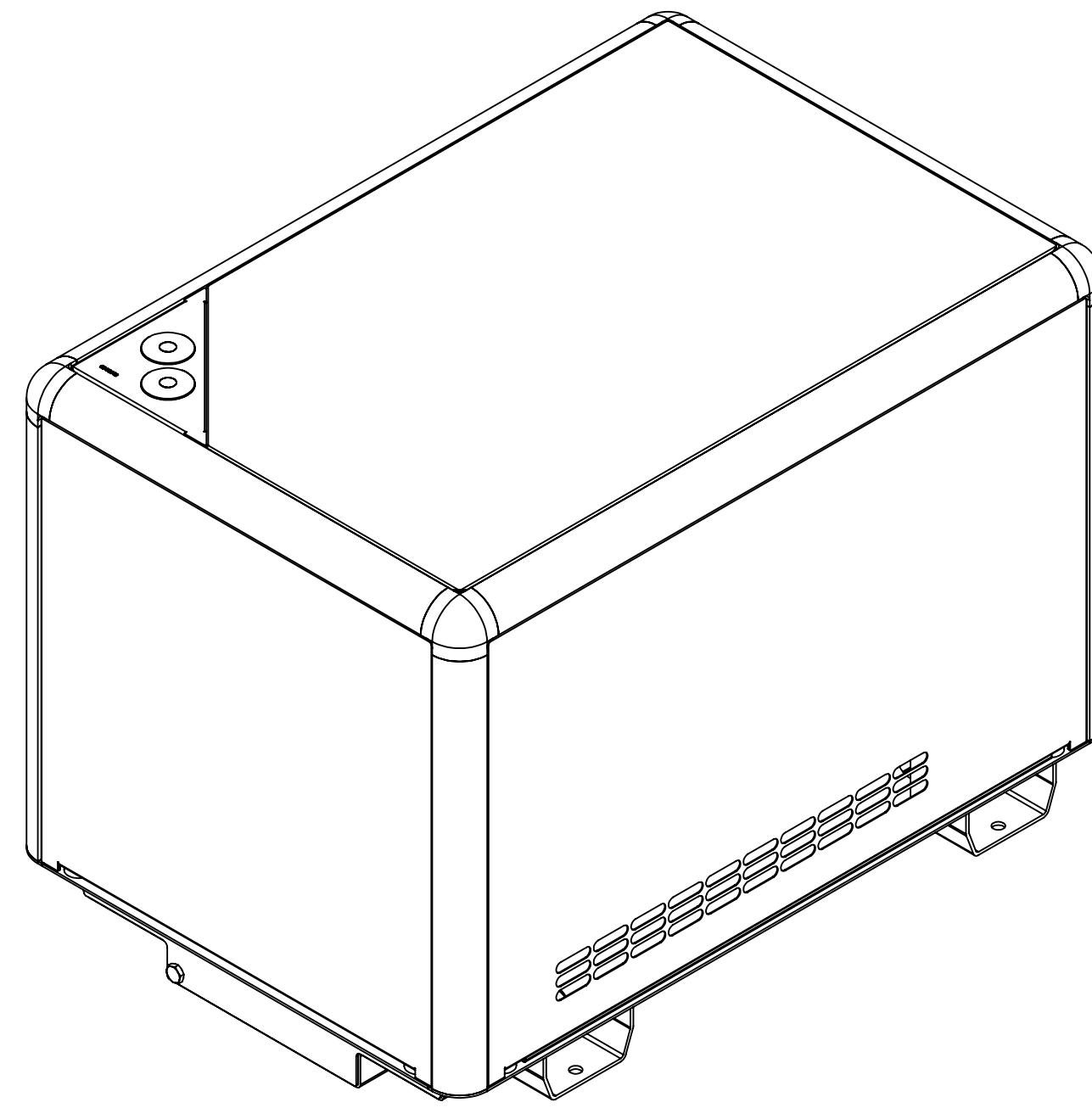
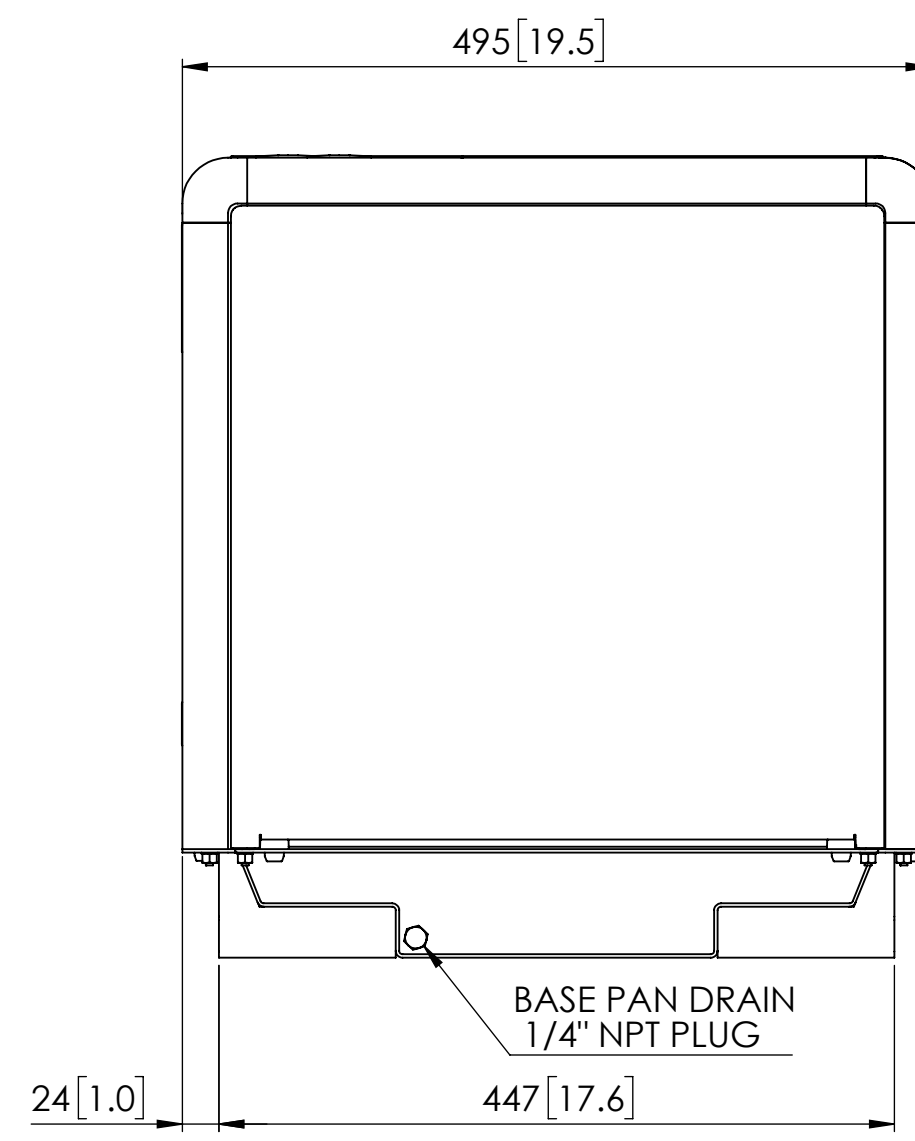


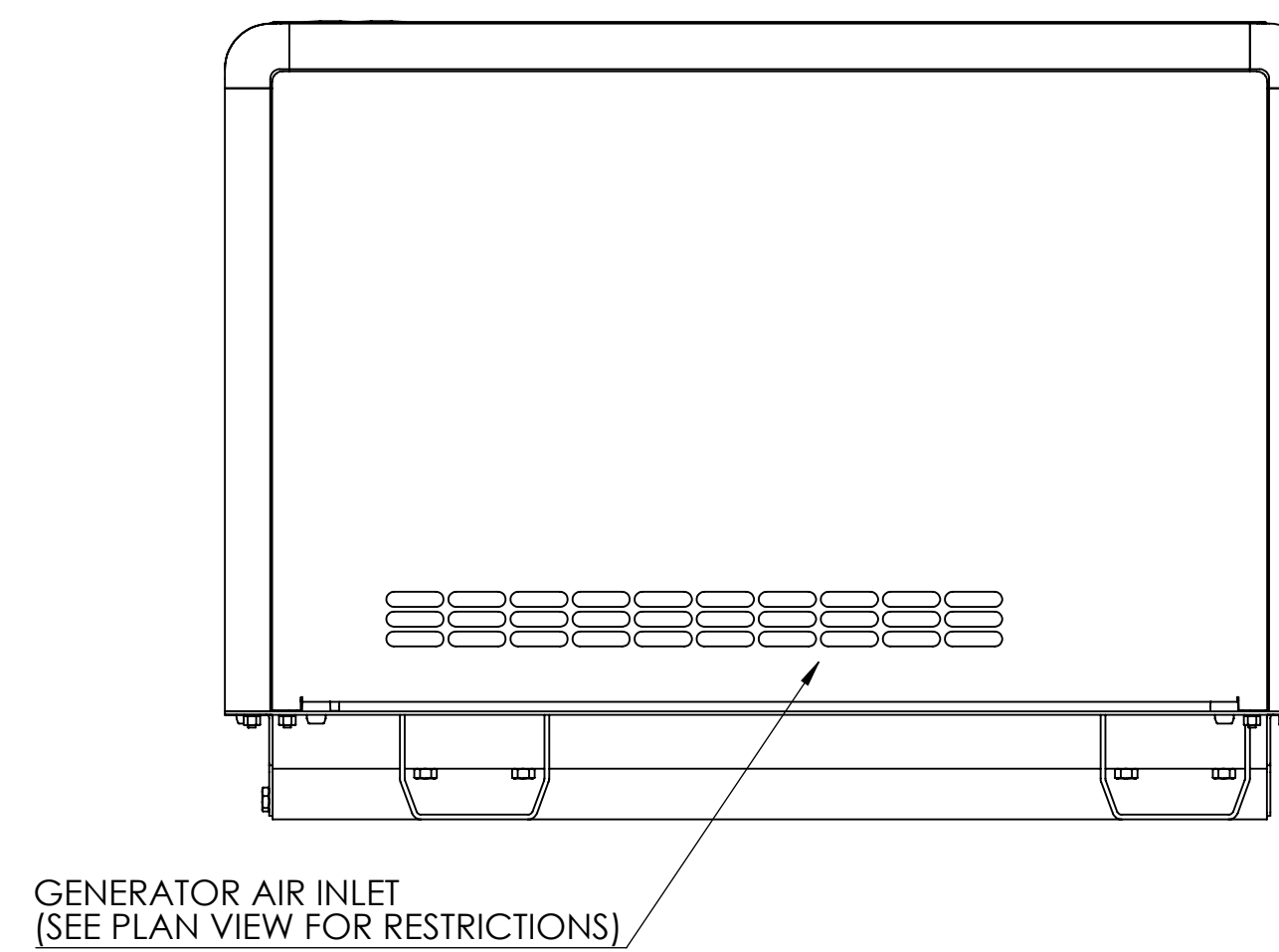
PLAN VIEW



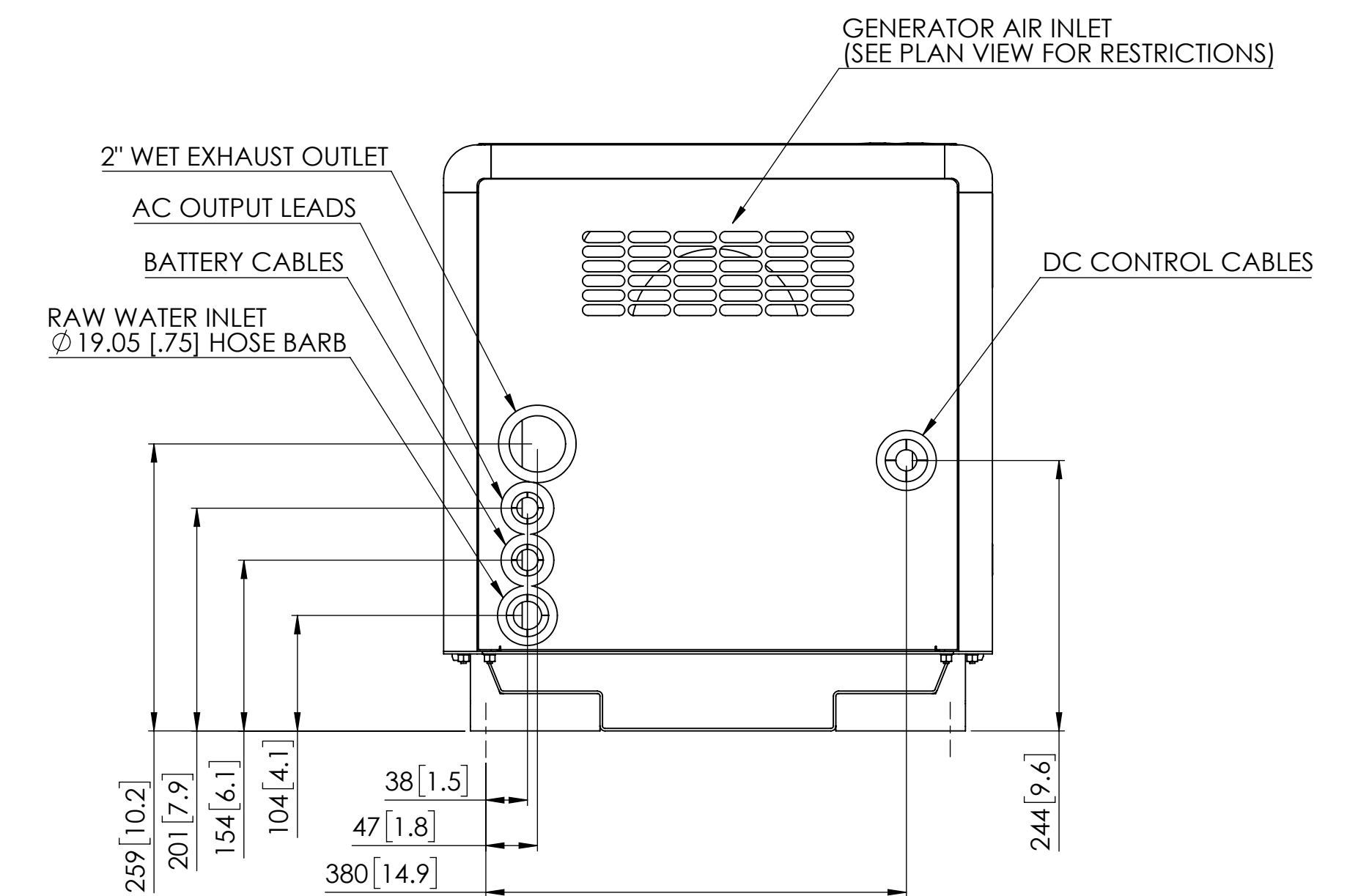
LEFT (SERVICE) SIDE VIEW



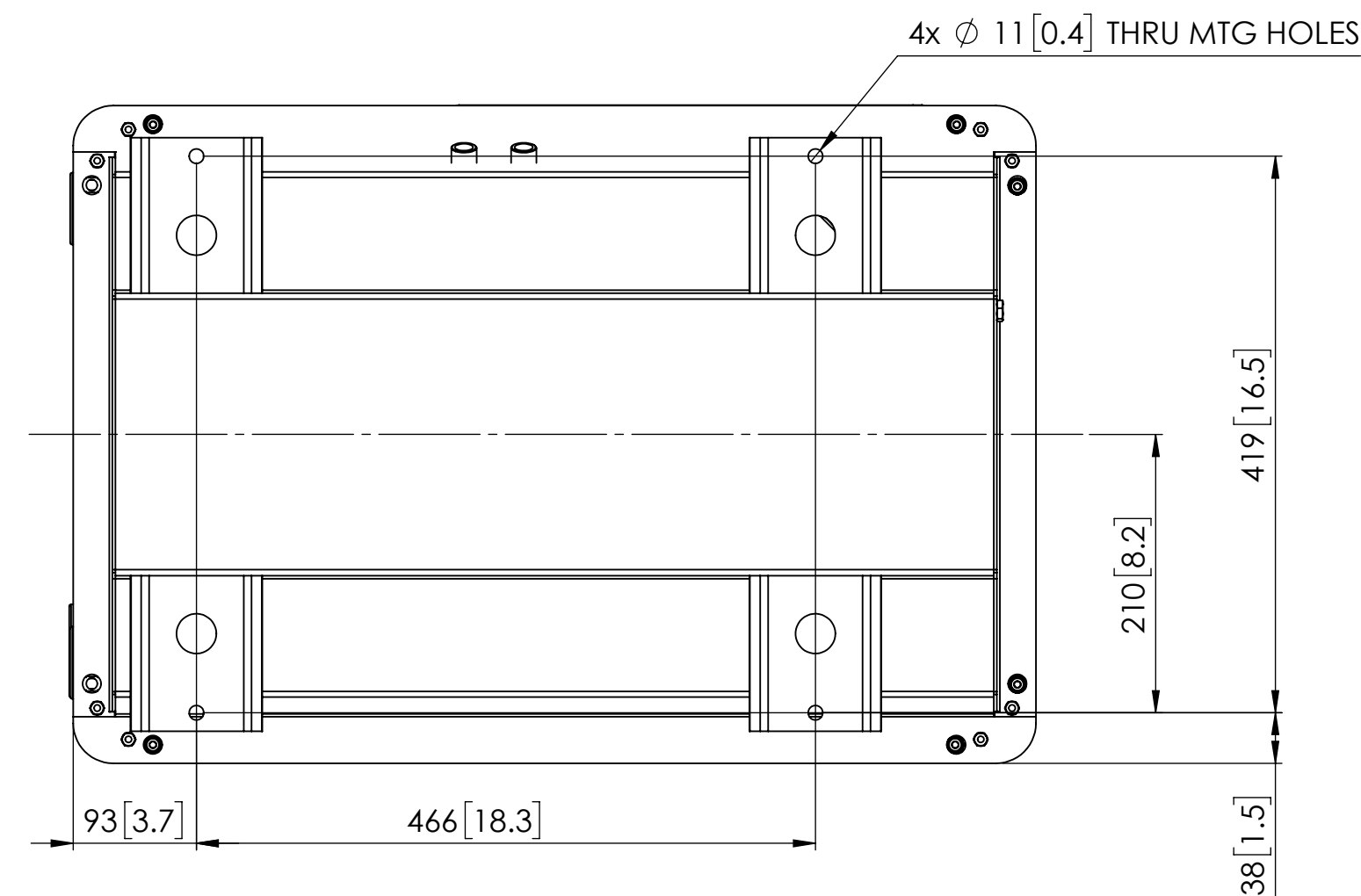
REAR VIEW



RIGHT SIDE VIEW

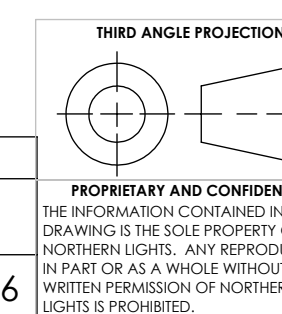


FRONT VIEW



BOTTOM VIEW

P/N	APPLICATION
05-78010	NLI WHITE T009-WH12
05-78025	TRAFFIC WHITE RAL 9016



REV.	DESCRIPTION	DATE	BY	CHECKED
B	ADDED REFERENCE TO TSC PANEL AND SEPARATED STANDARD SHIELD AND OPTIONAL EQUIPMENT TO SHEETS 1 AND 2 RESPECTIVELY. FILED UNDER ECH# 4453	11/4/2016	AZB	LTP 11/8/2016
A	ADDED COMPOUND MOUNTS, ECH#2331	3/25/2013	LTP	MG 3/25/16

UNLESS OTHERWISE SPECIFIED:  
DIMENSIONS ARE IN MILLIMETERS  
TOLERANCES:  
ANGULAR: MACH ± 0.5° BEND ± 1.0°  
X ± 1.0

INTERPRET GEOMETRIC TOLERANCING PER ASME Y14.5M

FINISH: DO NOT SCALE

DRAWN: AZB 11/3/16  
CHECKED: LTP 11/8/16  
ENG APPR.  
MEG APPR.  
Q.A.  
COMMENTS:

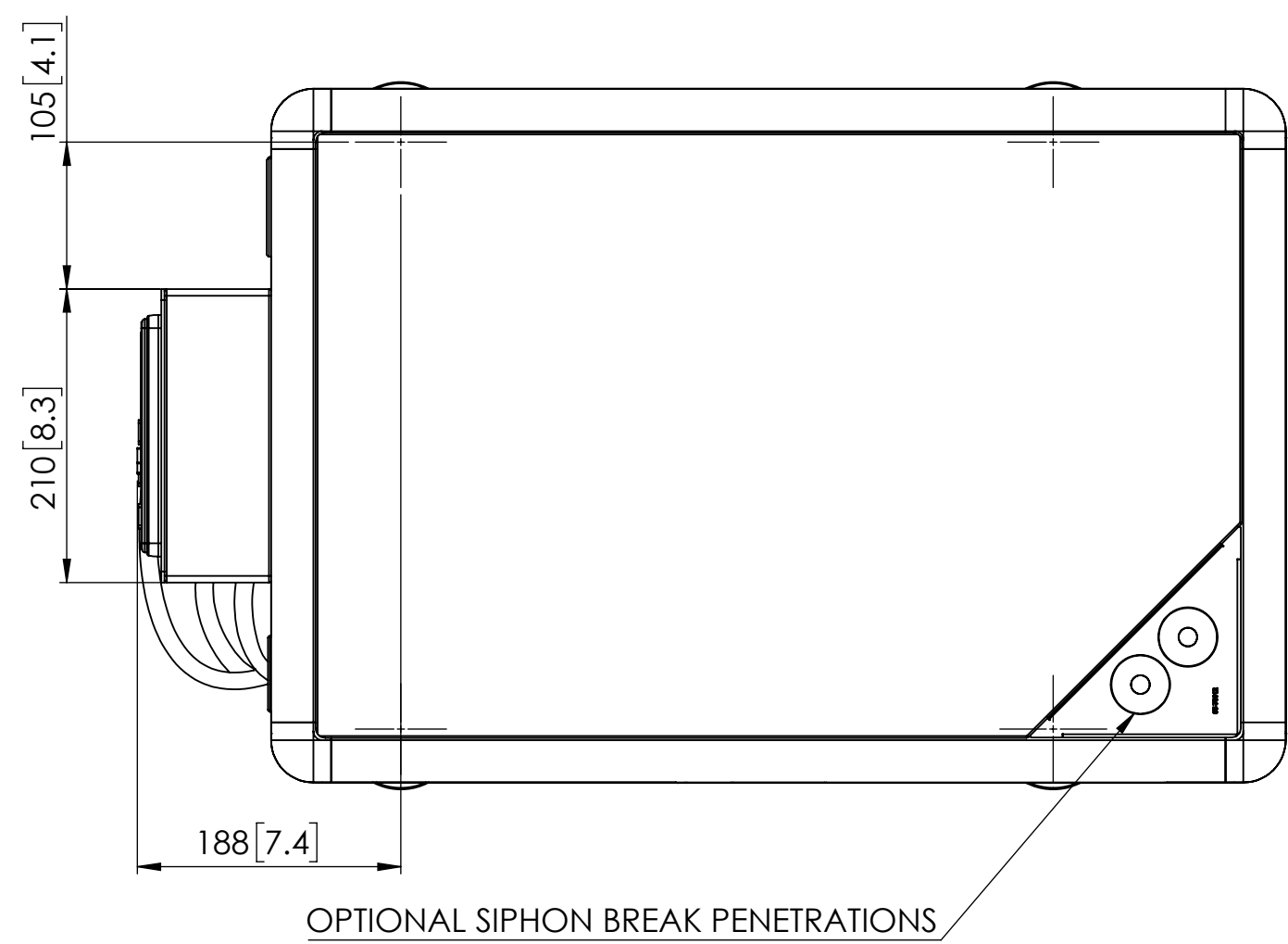
**NORTHERN LIGHTS**  
4420 14th AVE. N.W.  
Seattle, WA 98107  
(206) 789-3880  
www.northern-lights.com

TITLE: INSTALLATION DIMENSIONS  
M673L3/M673LD3 SOUND SHIELD

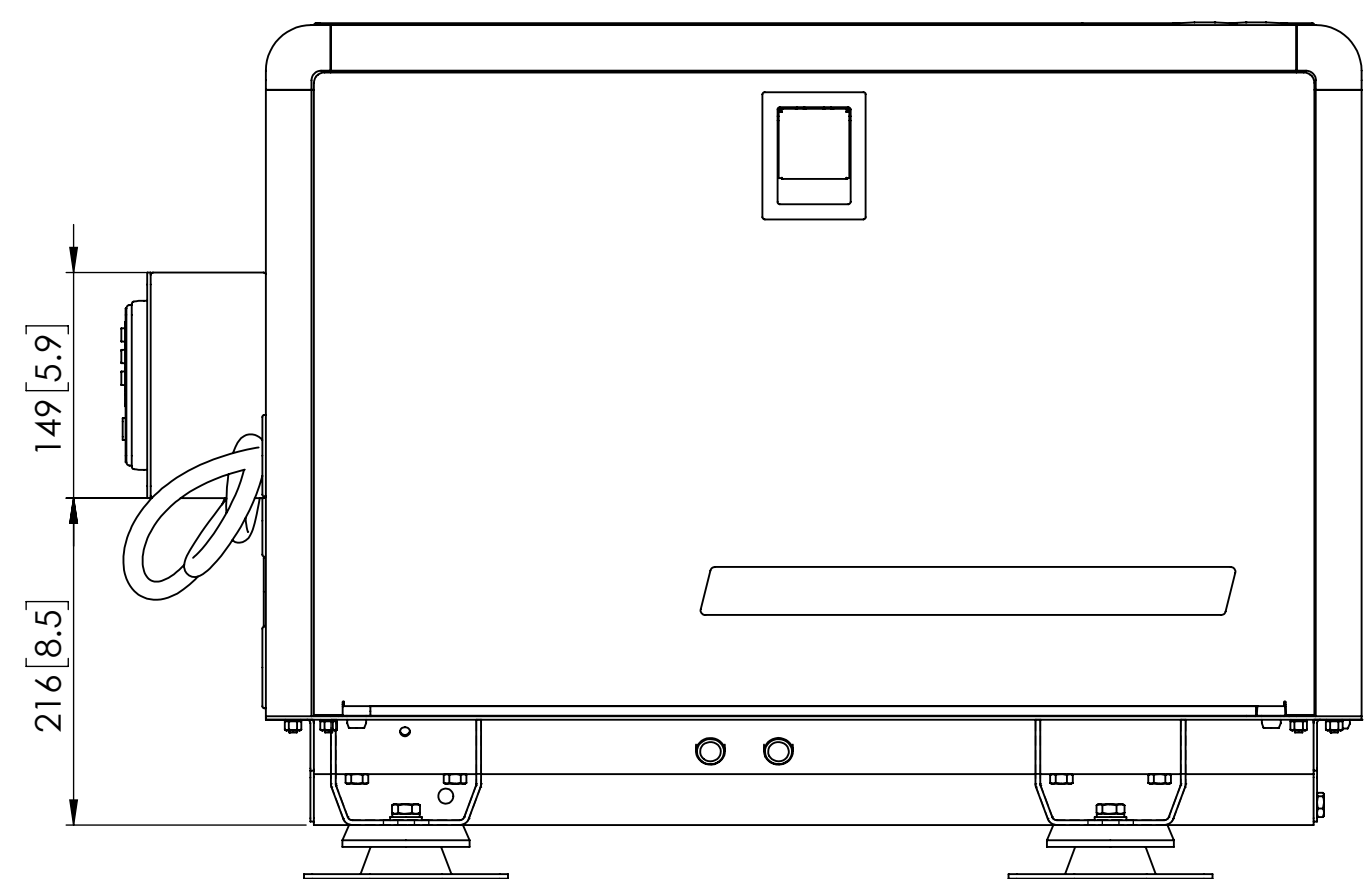
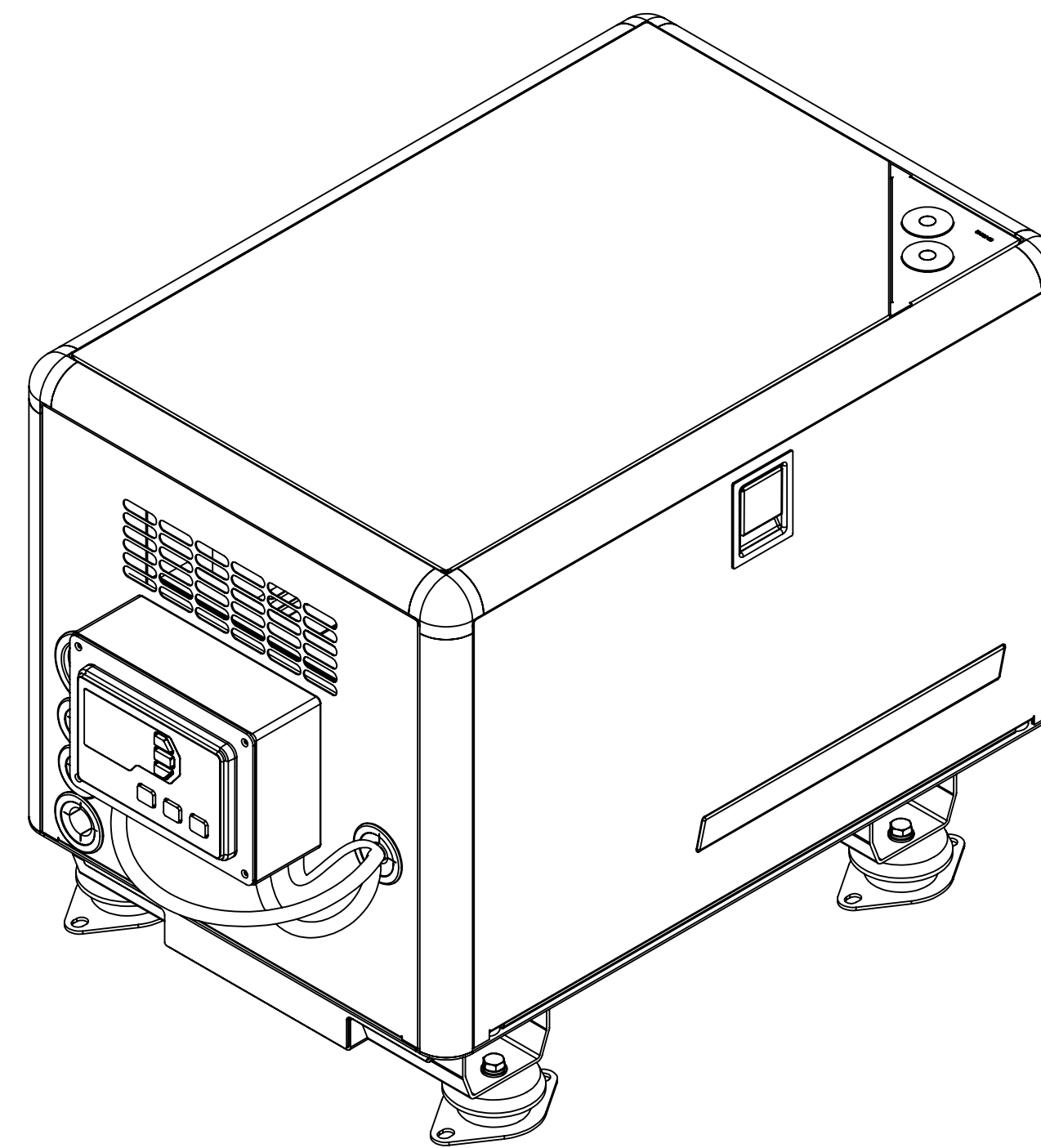
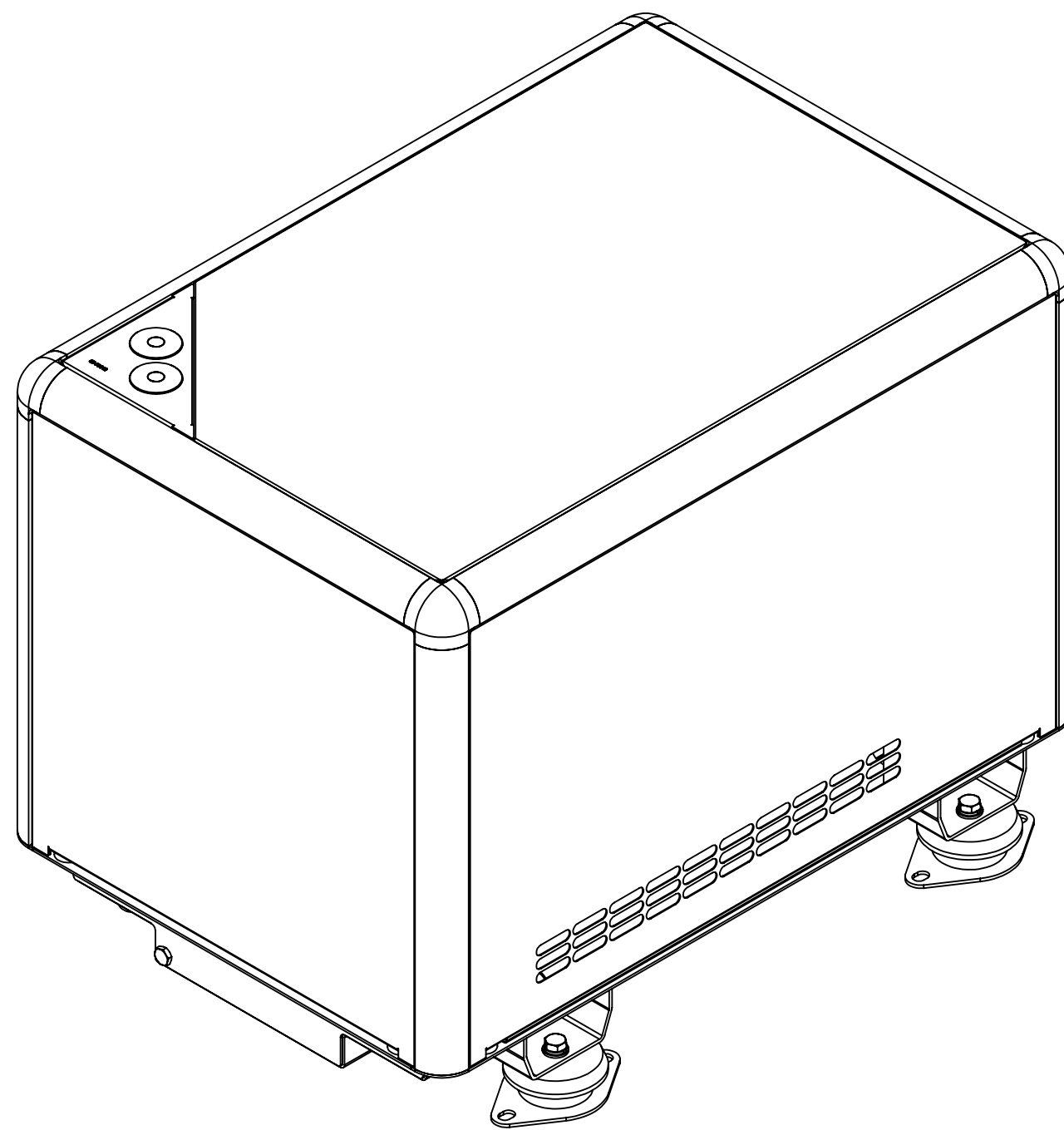
SIZE: D  
PART NO.: SEE P/N TABLE  
SCALE: 1:5

DWG. NO.: D-4462  
WEIGHT:

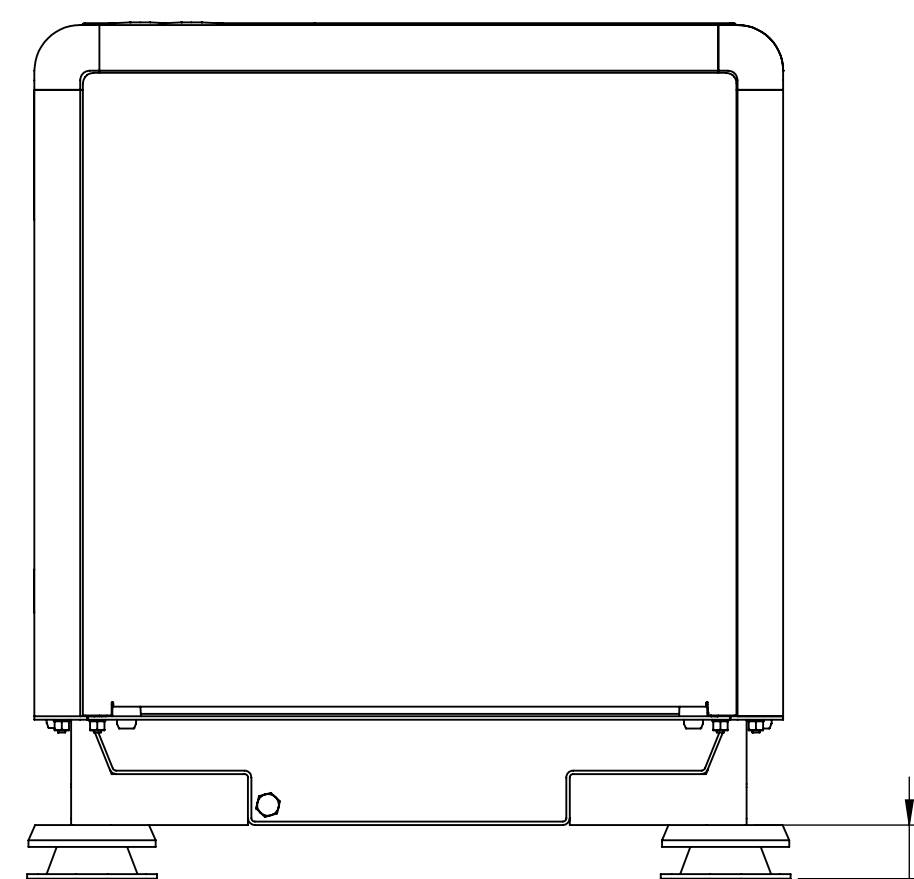
REV: B  
SHEET 1 OF 2



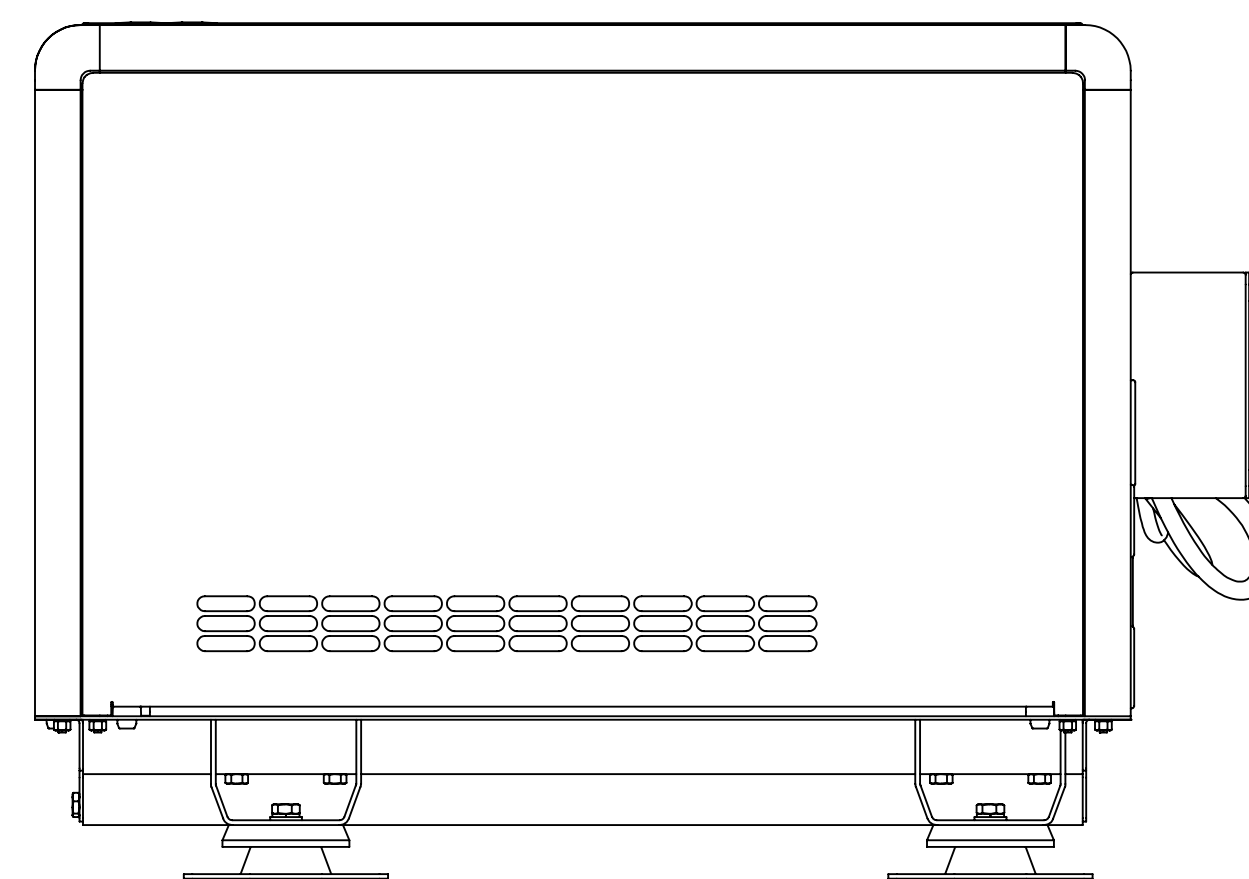
PLAN VIEW



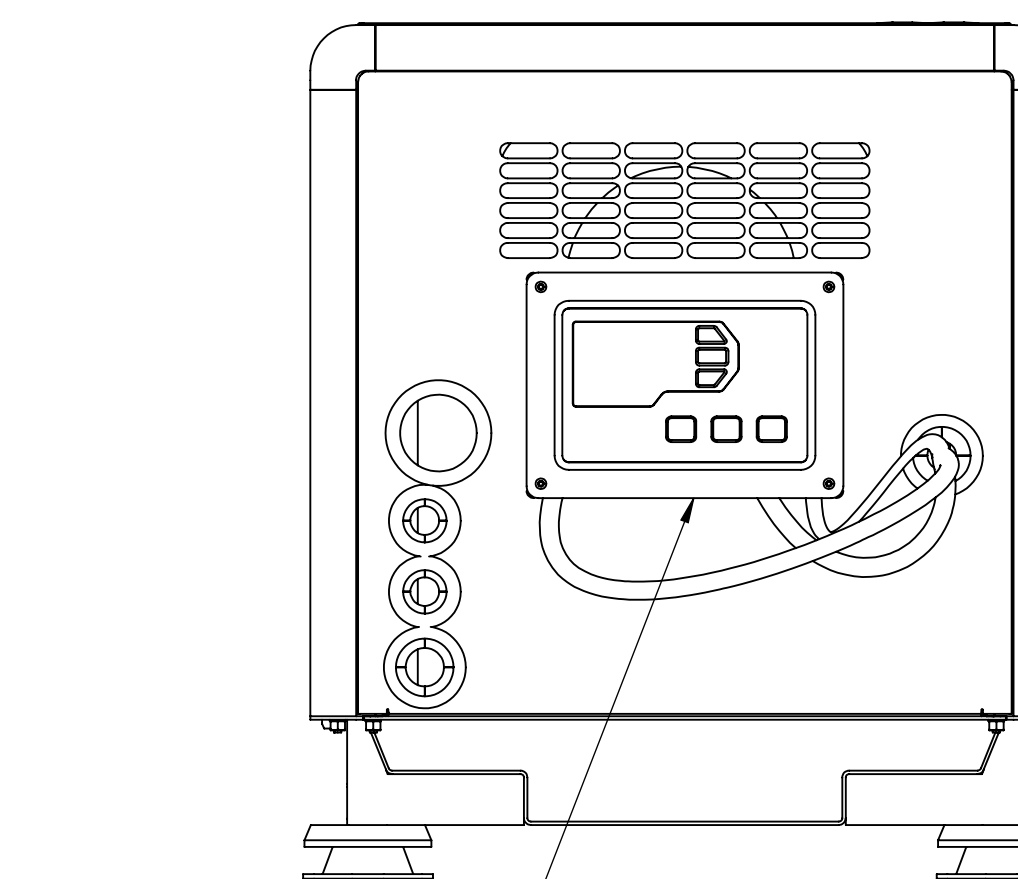
LEFT (SERVICE) SIDE VIEW



REAR VIEW

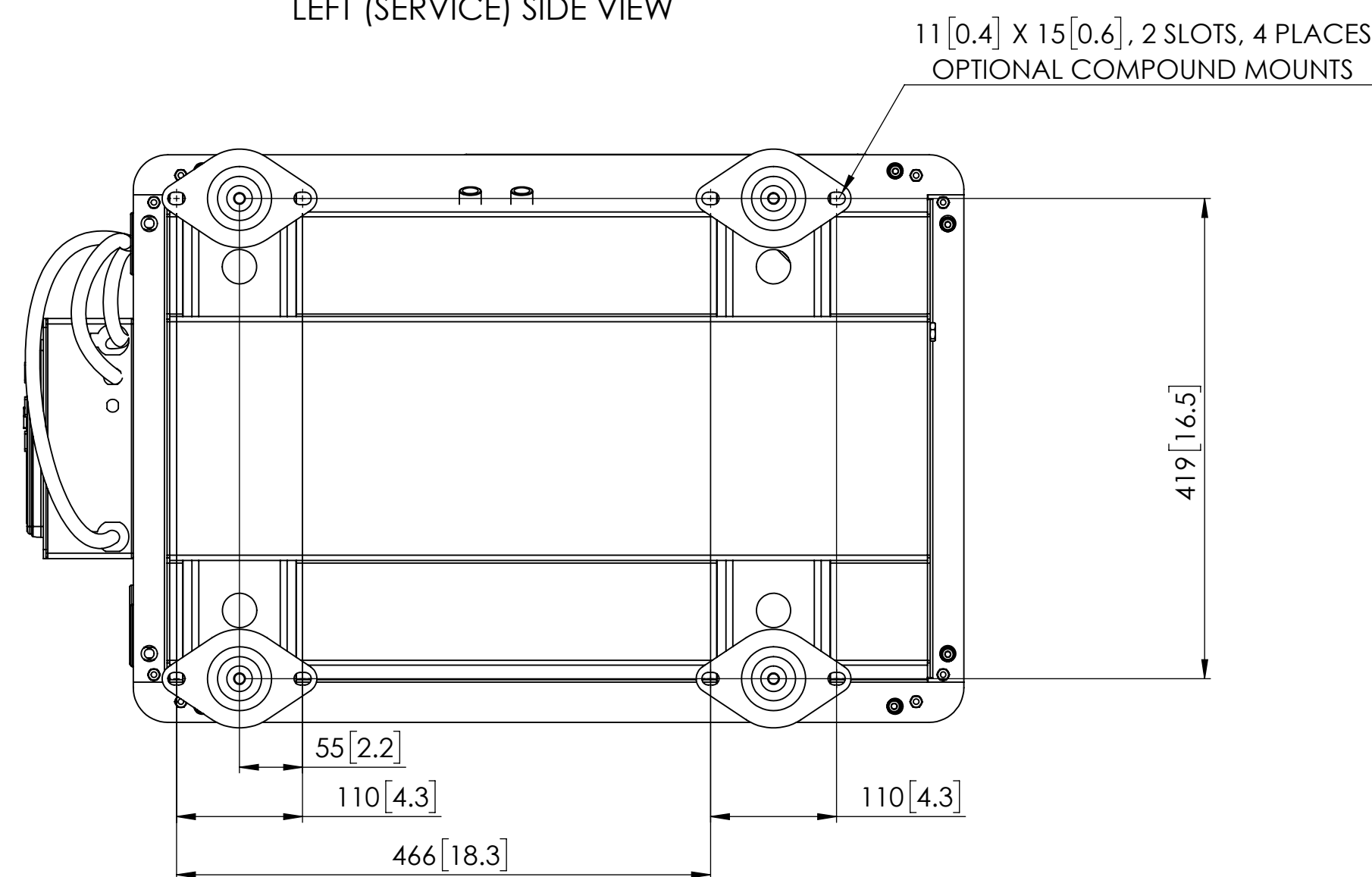


RIGHT SIDE VIEW



OPTIONAL TSC CONTROL PANEL SYSTEM

FRONT VIEW



BOTTOM VIEW

REV.	DESCRIPTION	DATE	BY	CHECKED
B	ADDED REFERENCE TO TSC PANEL AND SEPARATED STANDARD SHIELD AND OPTIONAL EQUIPMENT TO SHEETS 1 AND 2 RESPECTIVELY. FILED UNDER ECN# 4453	11/4/2016	AZB	LTP 11/8/2016
A	ADDED COMPOUND MOUNTS, ECN#2331	3/25/2013	LTP	MG 3/25/16

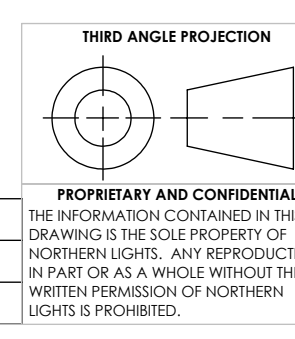
UNLESS OTHERWISE SPECIFIED:		NAME	DATE
DIMENSIONS ARE IN MILLIMETERS		AZB	11/3/16
TOLERANCES			
ANGULAR:	CHECKED		
MACH: ± 0.5°	ENG APPR.		
X: ± 1.0°	MEG APPR.		
BEND ± 1.0°	Q.A.		
INTERPRET GEOMETRIC TOLERANCING PER: ASME Y14.5M	COMMENTS:		
MATERIAL:			
FINISH:			



TITLE: INSTALLATION DIMENSIONS  
M673L3/M673LD3 SOUND SHIELD, OPTIONAL EQUIPMENT

SIZE	PART NO.	DWG. NO.	REV
D	SEE P/N TABLE	D-4462	B
SCALE: 1:5	WEIGHT:		SHEET 2 OF 2

P/N	APPLICATION
05-78010	NLI WHITE T009-WH12
05-78025	TRAFFIC WHITE RAL 9016



D-4462B