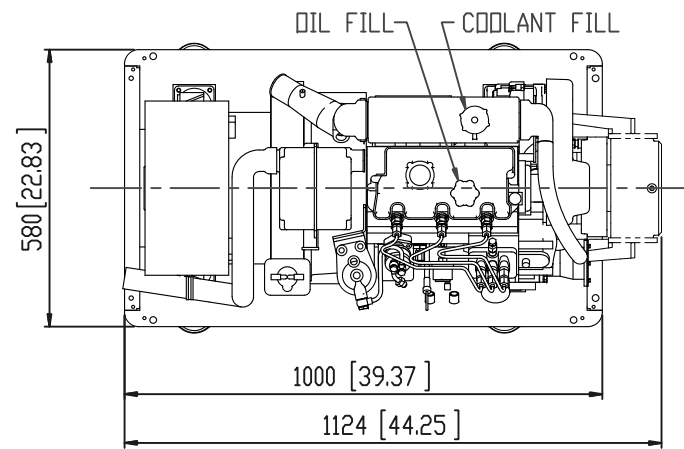
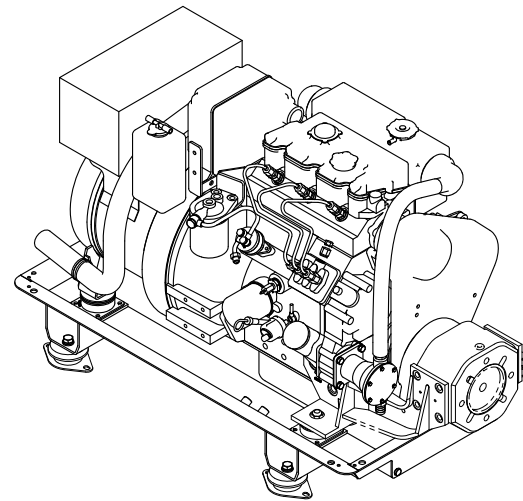


REV.	DESCRIPTION	DATE	BY	CHECKED
A	ADDED PTD OPTION. ECR 3459	8/11/2015	MG	TAH
B	ADDED GENERATOR APPLICATION TABLE, FILED UNDER ECR3558	10/9/2015	LTP	TAH 10/15/15

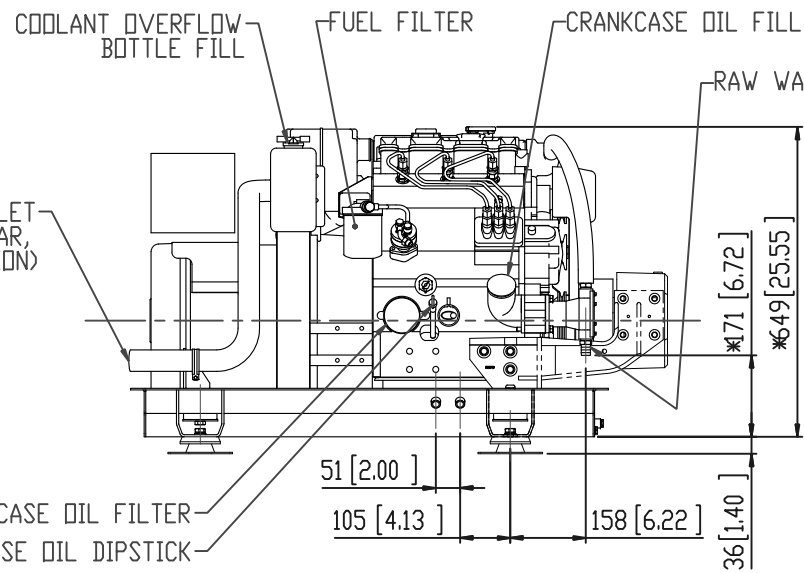
GENERATOR APPLICATION TABLE	
M843NW3 12kW 1800 RPM 3 PHASE 60 HZ.	
M843NW3 12kW 1800 RPM 1PHASE 60 HZ.	
M843NW3 10kW 1500 RPM 3 PHASE 60 HZ.	
M843NW3 10kW 1500 RPM 1 PHASE 60 HZ.	



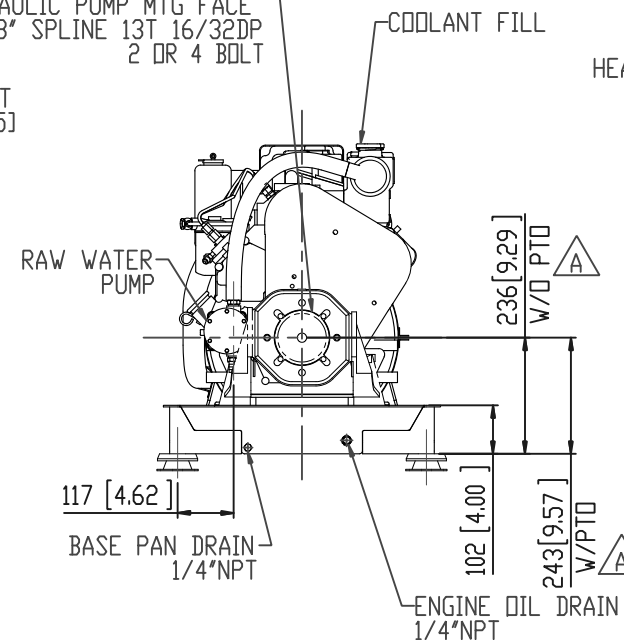
PLAN VIEW



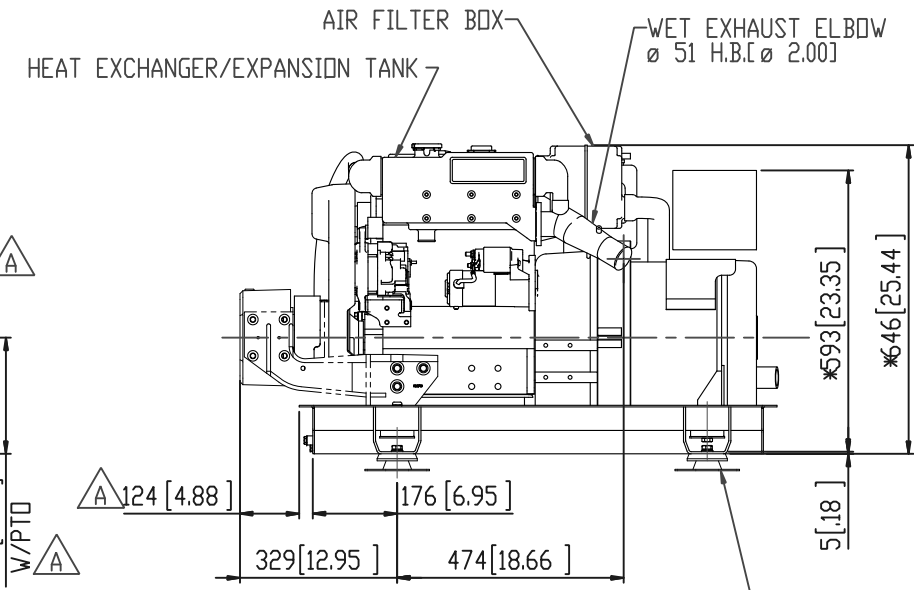
A OPTIONAL PTD/ELECTRIC CLUTCH HYDRAULIC PUMP MOUNTING FACE "B" SPLINE 13T 16/32DP 2 DR 4 BOLT



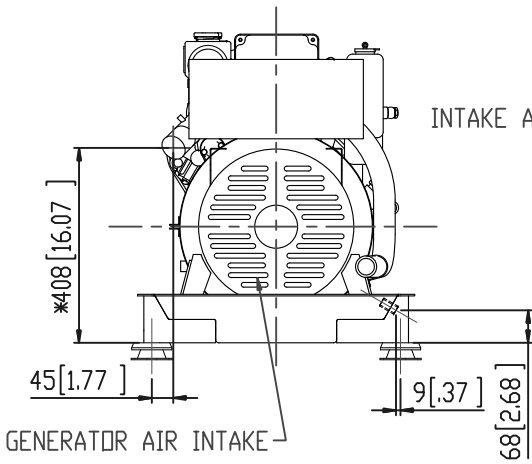
SERVICE SIDE VIEW



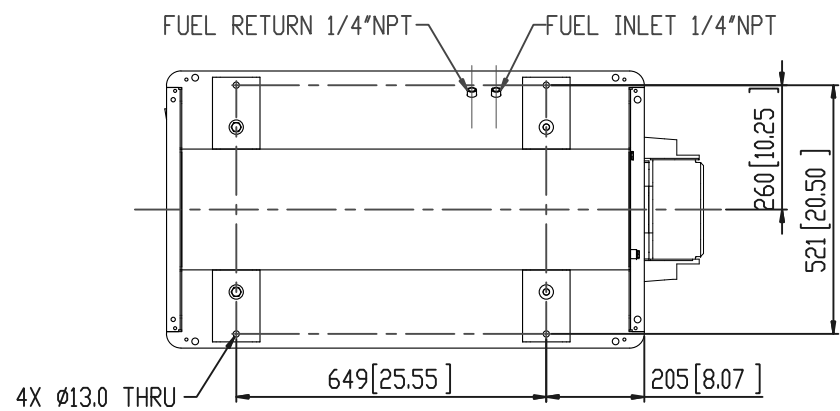
FRONT VIEW



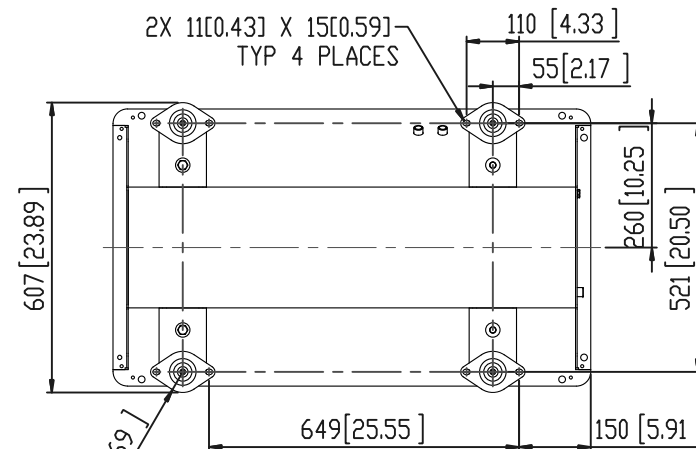
LEFT SIDE VIEW



REAR VIEW



BOTTOM VIEW



OPTIONAL COMPOUND MOUNTS

***NOTE:** ELEVATION DIMENSIONS SHOWN ARE FOR A UNIT WITH OPTIONAL PTD. FOR A UNIT WITHOUT A PTD, ELEVATION DIMENSIONS SHOULD BE REDUCED BY 7mm [0.28in].

WEIGHT (WET)	
W/D PTD	W/P TD
339 kg [747 LBS.]	362 kg [797 LBS.]

UNLESS OTHERWISE SPECIFIED: DIMENSIONS ARE IN MILLIMETERS TOLERANCES: ANGULAR: ± 0.5° BEND ± 1.0° X ± 1.0 X ± 0.5		NAME: LTP	DATE: 12/16/10	NORTHERN LIGHTS 4420 14th AVE. N.W. Seattle, WA 98107 (206) 789-3880 www.northern-lights.com
THIRD ANGLE PROJECTION		CHECKED: ENG APPR:	QA:	
MATERIAL: FINISH: DO NOT SCALE		COMMENTS:		TITLE: INSTALLATION DIMENSIONS M843NW3
SIZE: D	PART NO.:	DWG. NO. D-4488	REV. B	SCALE: 1:8
WEIGHT:		SHEET 1 OF 1		

THE DIMENSIONS ON THIS DRAWING ARE SUBJECT TO CHANGE. PLEASE CONTACT NORTHERN LIGHTS INC TO BE SURE YOU HAVE THE MOST CURRENT REVISION.