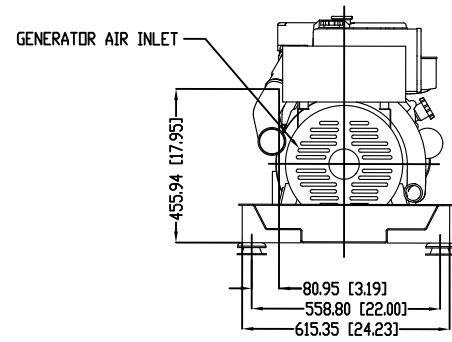
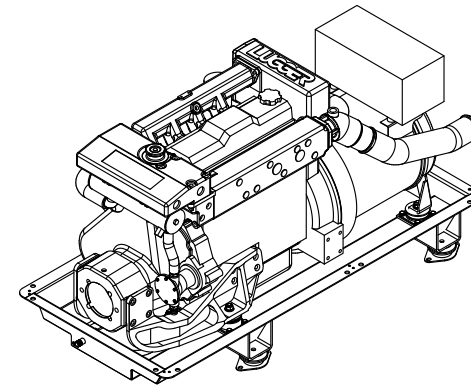
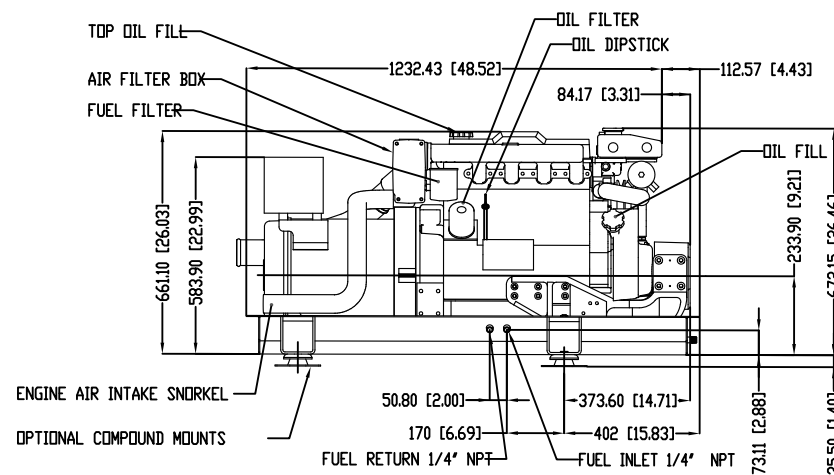


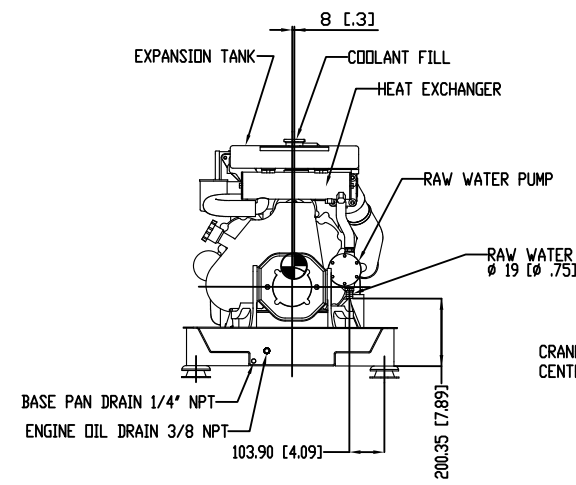
PLAN VIEW



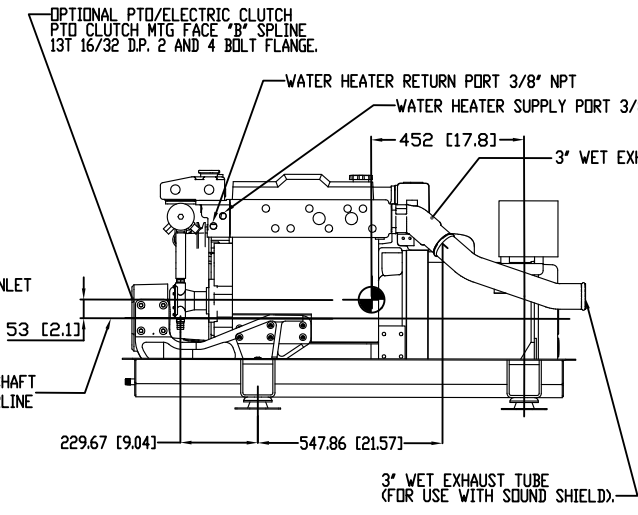
REAR VIEW



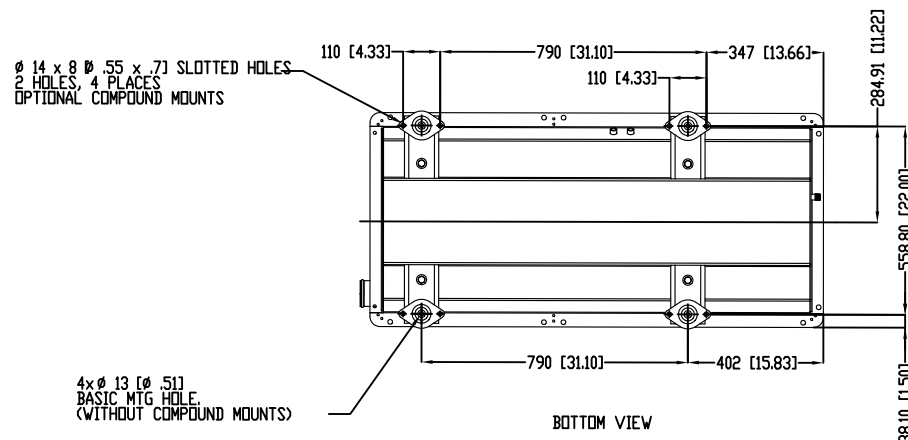
RIGHT (SERVICE) SIDE VIEW



FRONT VIEW



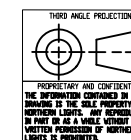
LEFT SIDE VIEW



BOTTOM VIEW

NOTE: CG SHOWN IS FOR STANDARD GENSET CONFIGURATION (WITHOUT PTO)

TOTAL WEIGHT (WET): 444.5 KG [979.8 LBS.]
ADD 29.5 KG [65 lbs] FOR PTO OPTION.



REV.	DESCRIPTION	DATE	APPROVED	CHECKED
A	ADDED CG FOR STANDARD GENSET CONFIGURATION FILED UNDER ECH # 4881	6/30/17	AZB	TAH 6/30/17

REVISIONS			
UNLESS OTHERWISE SPECIFIED	NAME	DATE	
DIMENSIONS ARE IN MILLIMETERS	DRAWN	LTP	8/18/11
TOLERANCES:	CHECKED		
FRACTIONAL ANGULAR	ENG APPR.		
MACH ± 0.25° BEND ± 10°	MFG APPR.		
X ± 0.5	DA		
Z ± 0.3	COMMENTS:		
INTERPRET GEOMETRIC TOLERANCING PER ASME Y14.5M			
MATERIAL:			
FINISH:			
APPLICATION:			

4400 14TH AVE. NW Seattle, WA 98107 206-789-2888 www.northern-lights.com	TITLE: INSTALLATION DIMENSIONS M864W3
SIZE (DWG. NO.) D D-4530	REV A
SCALE: 1:10 WEIGHT:	SHEET 1 OF 1