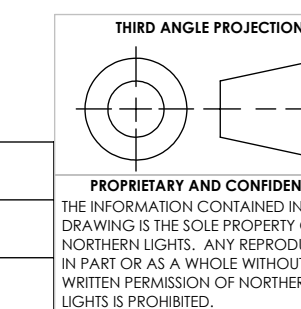


TOTAL WEIGHT (WET): 514 KG. [1133 LBS.]

THE DIMENSIONS ON THIS DRAWING ARE SUBJECT TO CHANGE. PLEASE CONTACT NORTHERN LIGHTS INC TO BE SURE YOU HAVE THE MOST CURRENT REVISION.

P/N	APPLICATION
05-78720	NLI White T009-WH12
05-78725	Traffic White RAL 9016



PROPRIETARY AND CONFIDENTIAL  
THE INFORMATION CONTAINED IN THIS DRAWING IS THE SOLE PROPERTY OF NORTHERN LIGHTS. ANY REPRODUCTION IN PART OR AS A WHOLE WITHOUT THE WRITTEN PERMISSION OF NORTHERN LIGHTS IS PROHIBITED.

REV.	DESCRIPTION	DATE	BY	CHECKED
C	ADDED TSC PANEL OPTION, MOVED ALL OPTIONS TO SHEET 2 OF 2, RESTORED SHEET 1 OF 2 TO STANDARD CONFIGURATION, ECN # 4353	10/11/2016	AZB	LTP 10/11/16
B	ECN#3096, WAS SHOWN WITH 2" NPT FEMALE DRY EXH CONNECTION, REPLACED WITH NEW DRY ELBOW WITH 2" FLANGED CONNECTION, ALSO ADDED NOTE TO SHOW RAW WATER OUTLET WHEN USED WITH DRY EXH OPT. DELETE WAVENET OPTION.	3/4/2015	LTP	TAH 3/4/2015
A	ADDED DRY EXHAUST OPTION AND RELATED FEATURES AND DIMENSIONS FILED UNDER ECN#2847	9/8/2014	LTP	MG 9/8/14

UNLESS OTHERWISE SPECIFIED:	NAME	DATE
DRAWN	AZB	10/11/16
CHECKED	LTP	10/11/16
ENG APPR.		
MEG APPR.		
Q.A.		
COMMENTS:		

SIZE	PART NO.	DWG. NO.	REV
D	SEE P/N TABLE	D-4565	C

SCALE:	WEIGHT:	SHEET	OF
1:10		1	2

REV.	DESCRIPTION	DATE	BY	CHECKED
C	ADDED TSC PANEL OPTION, MOVED ALL OPTIONS TO SHEET 2 OF 2, RESTORED SHEET 1 OF 2 TO STANDARD CONFIGURATION, ECN # 4353	10/11/2016	AZB	LTP 10/11/16
B	ECN#3096, WAS SHOWN WITH 2" NPT FEMALE DRY EXH CONNECTION, REPLACED WITH NEW DRY ELBOW WITH 2" FLANGED CONNECTION, ALSO ADDED NOTE TO SHOW RAW WATER OUTLET WHEN USED WITH DRY EXH OPT. DELETE WAVENET OPTION.	3/4/2015	LTP	TAH 3/4/2015
A	ADDED DRY EXHAUST OPTION AND RELATED FEATURES AND DIMENSIONS FILED UNDER ECN#2847	9/8/2014	LTP	MG 9/8/14

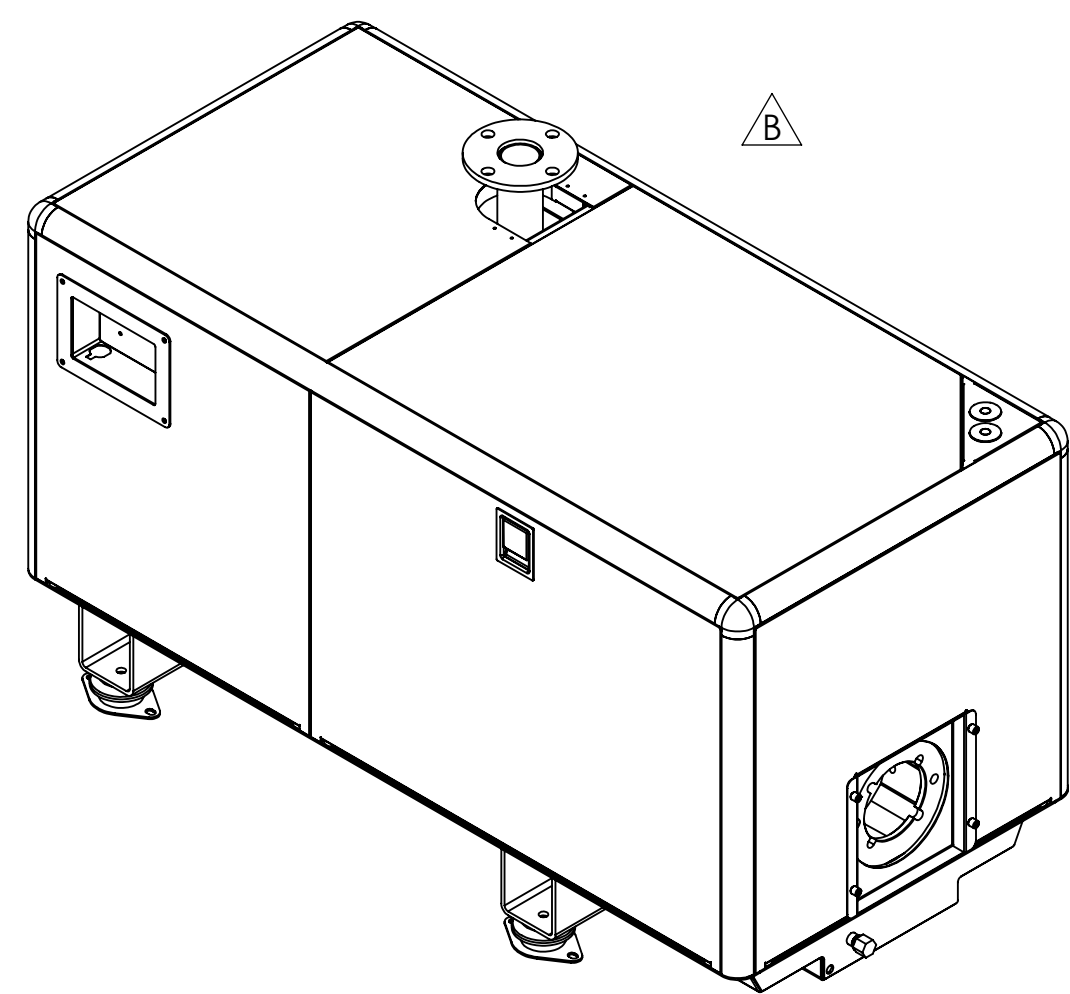
UNLESS OTHERWISE SPECIFIED:	NAME	DATE
DRAWN	AZB	10/11/16
CHECKED	LTP	10/11/16
ENG APPR.		
MEG APPR.		
Q.A.		
COMMENTS:		

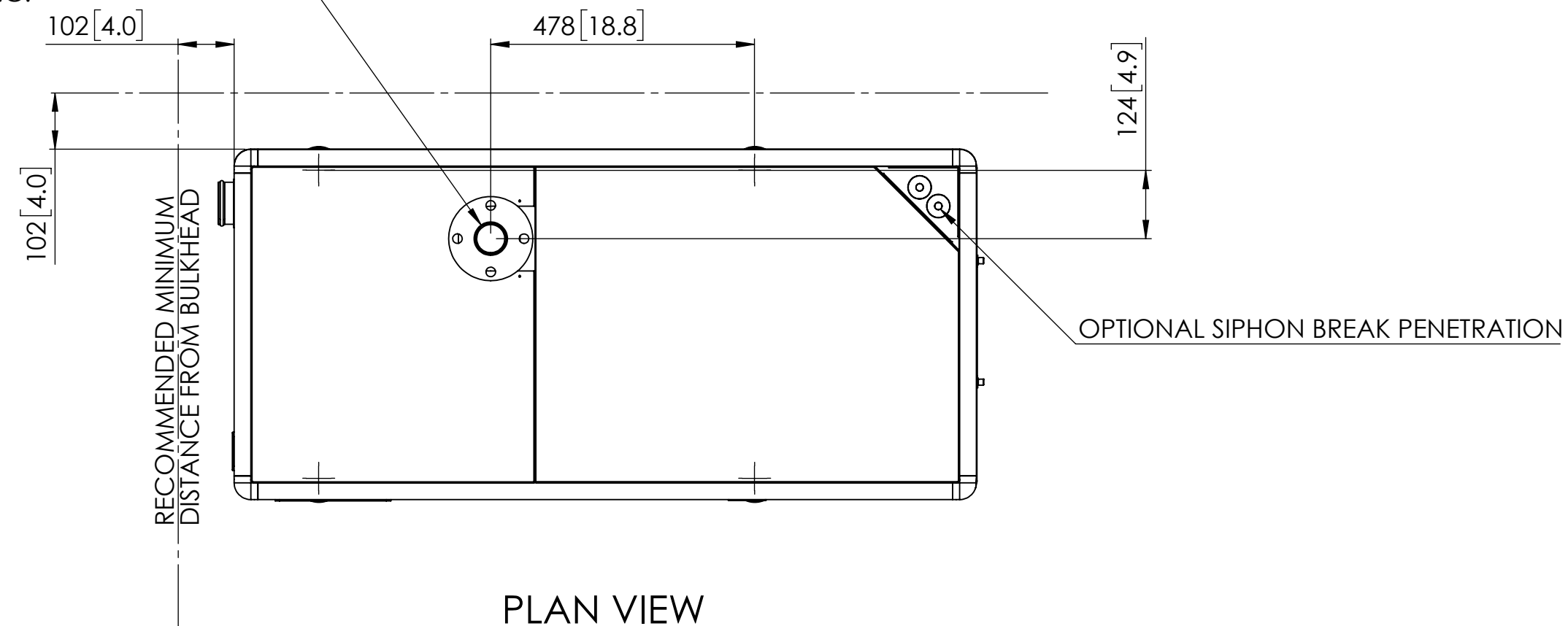
4420 14th AVE. N.W.  
Seattle, WA 98107  
(206) 789-3880  
www.northern-lights.com

**NORTHERN LIGHTS**

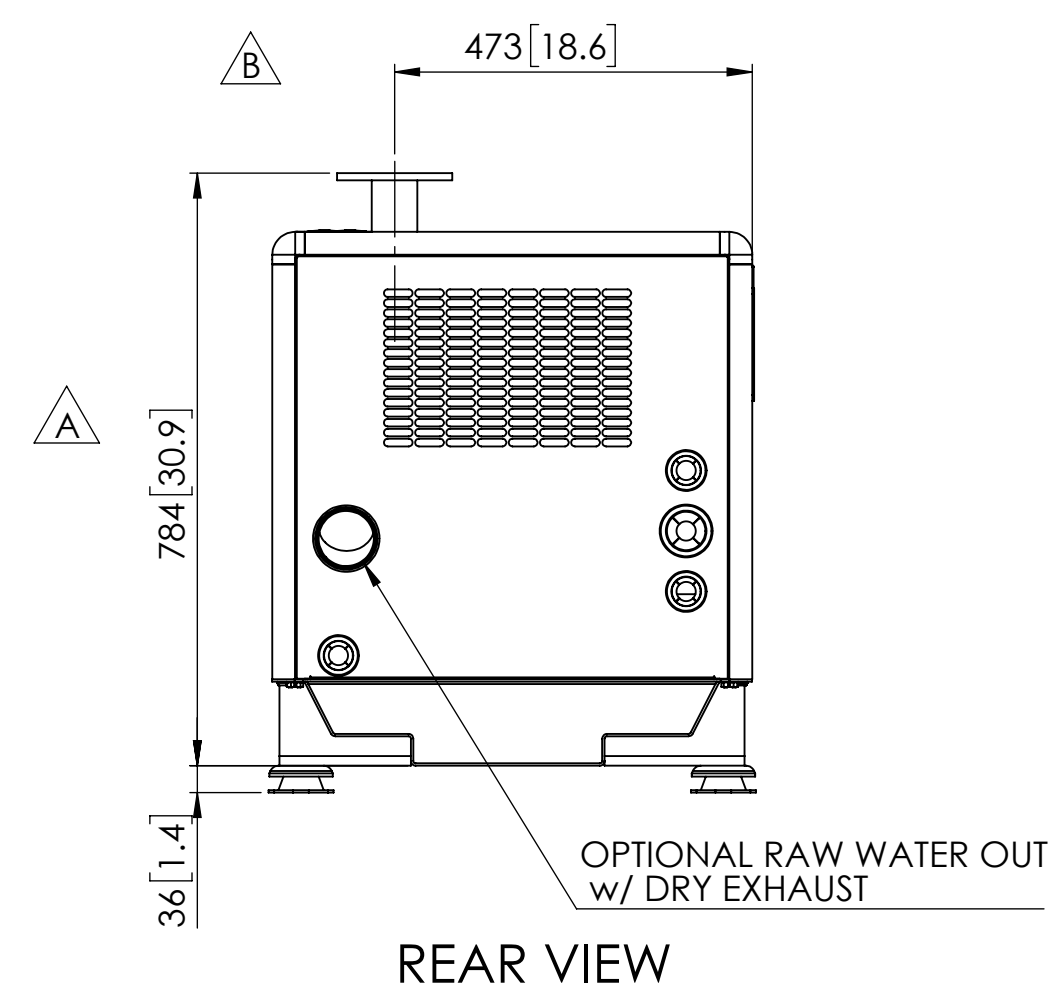
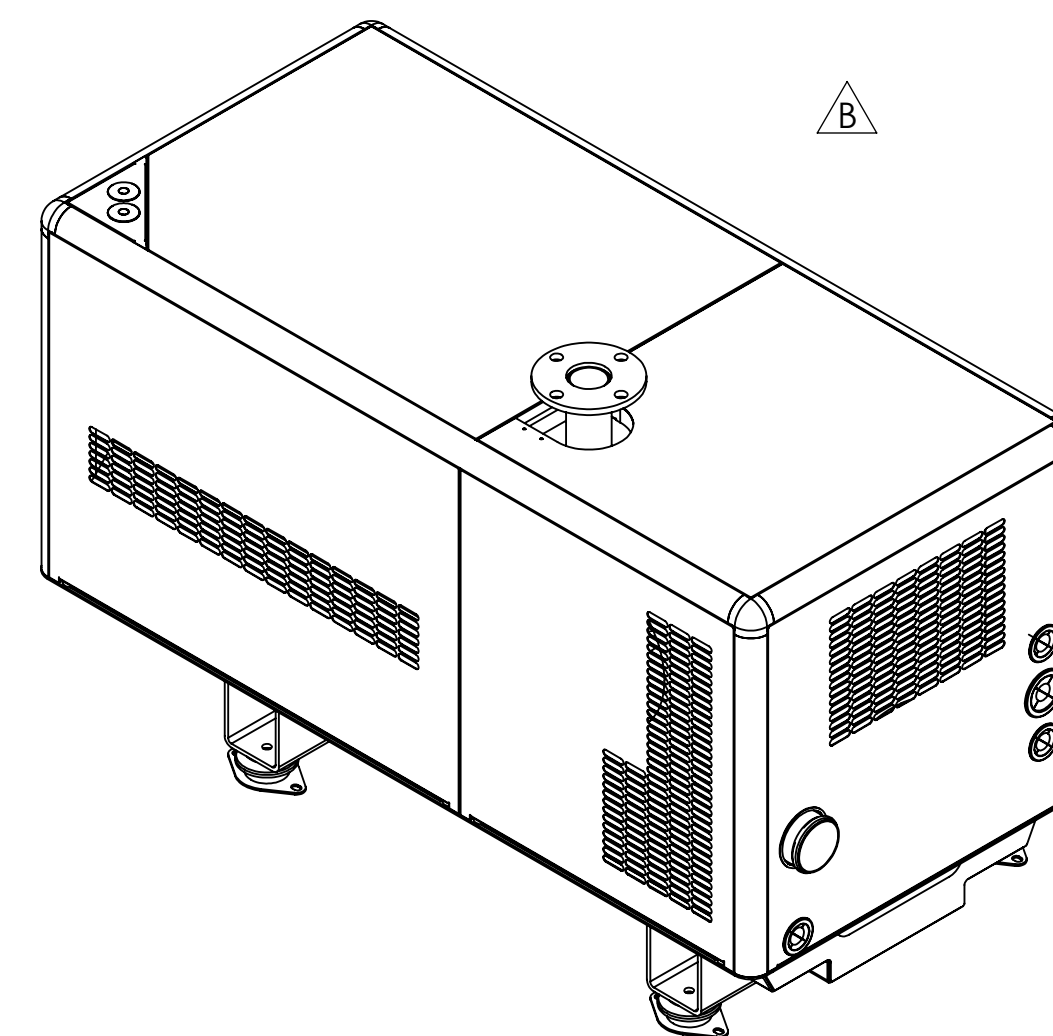
TITLE: INSTALLATION DIMENSIONS  
M864W3 SOUND SHIELD



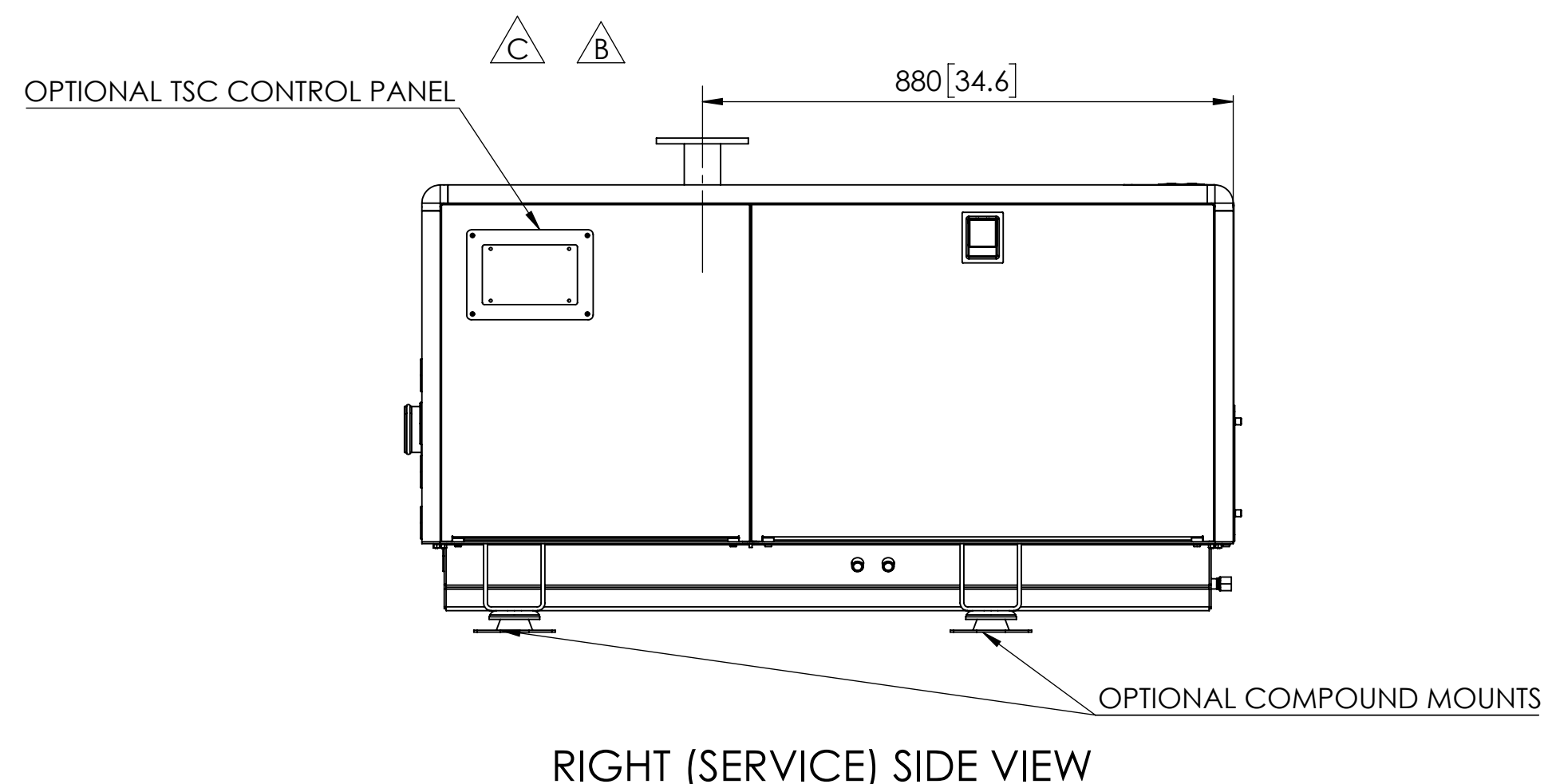
$\triangle A$   $\triangle B$   
 $\phi 2$  INCH DRY EXHAUST CONNECTION  
 $\phi 17.2$  [ $\phi .68$ ] 4 HOLES EQ SP ON  
 $\phi 120.6$  [ $\phi 4.75$ ] B.C.



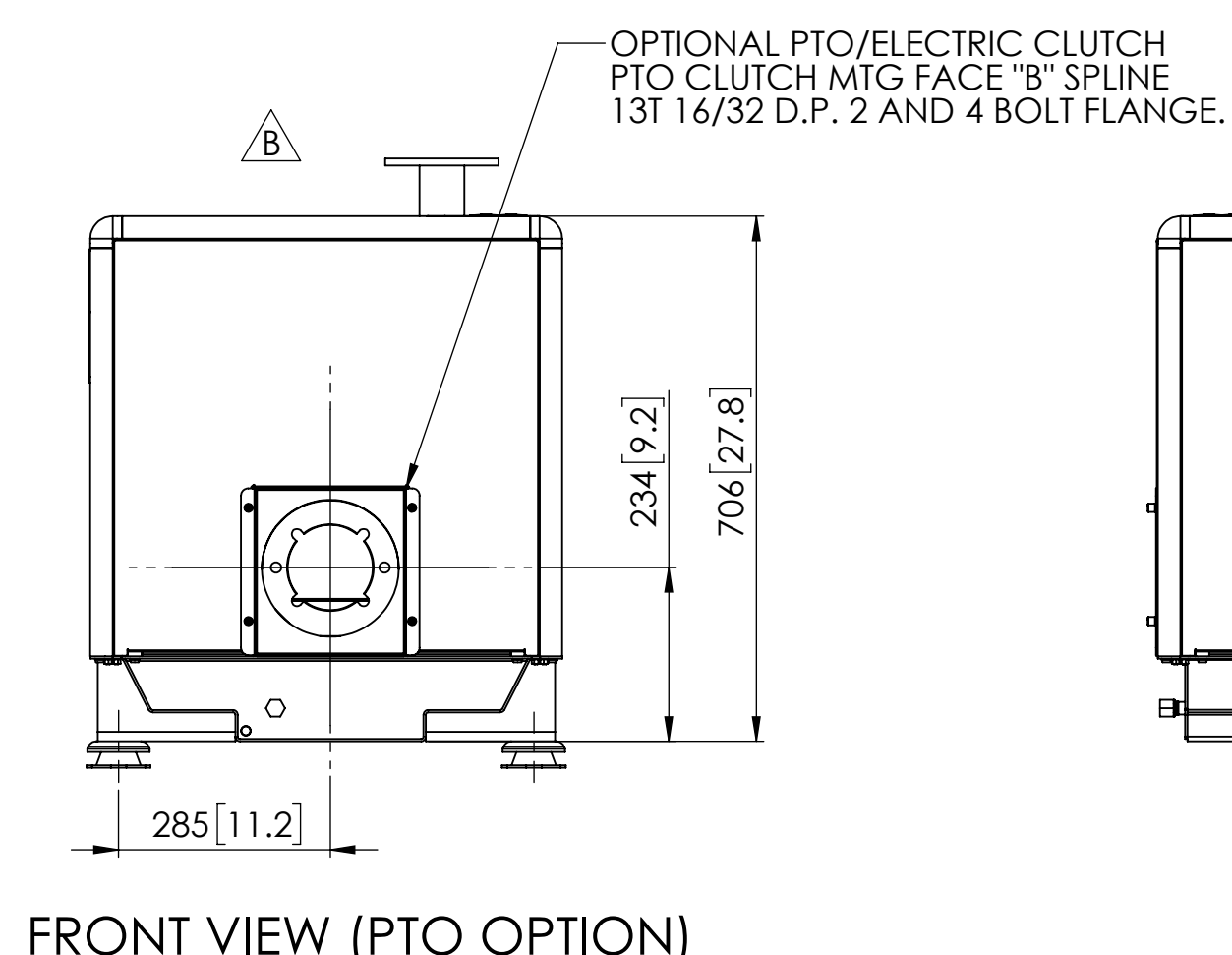
PLAN VIEW



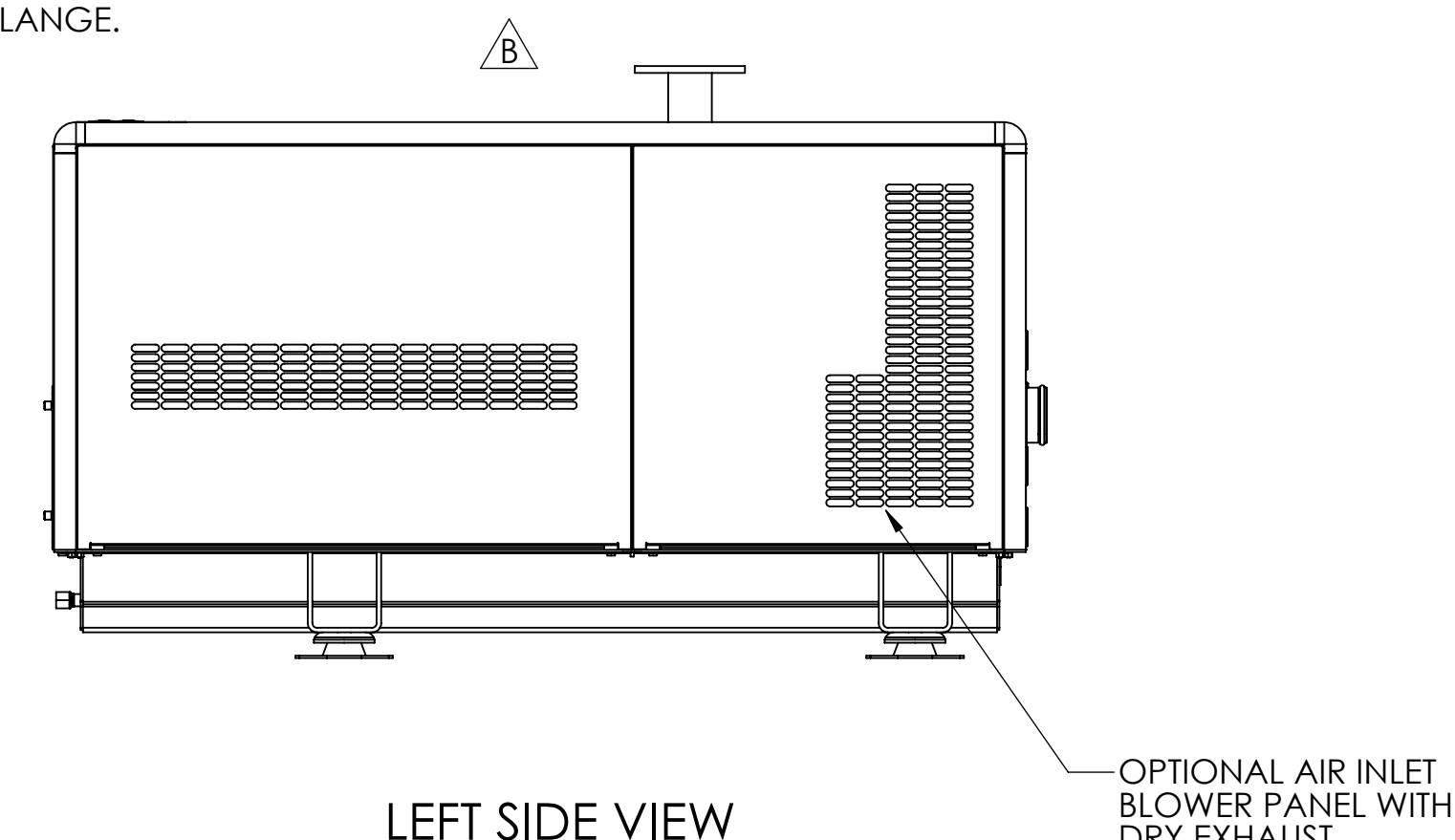
REAR VIEW



RIGHT (SERVICE) SIDE VIEW

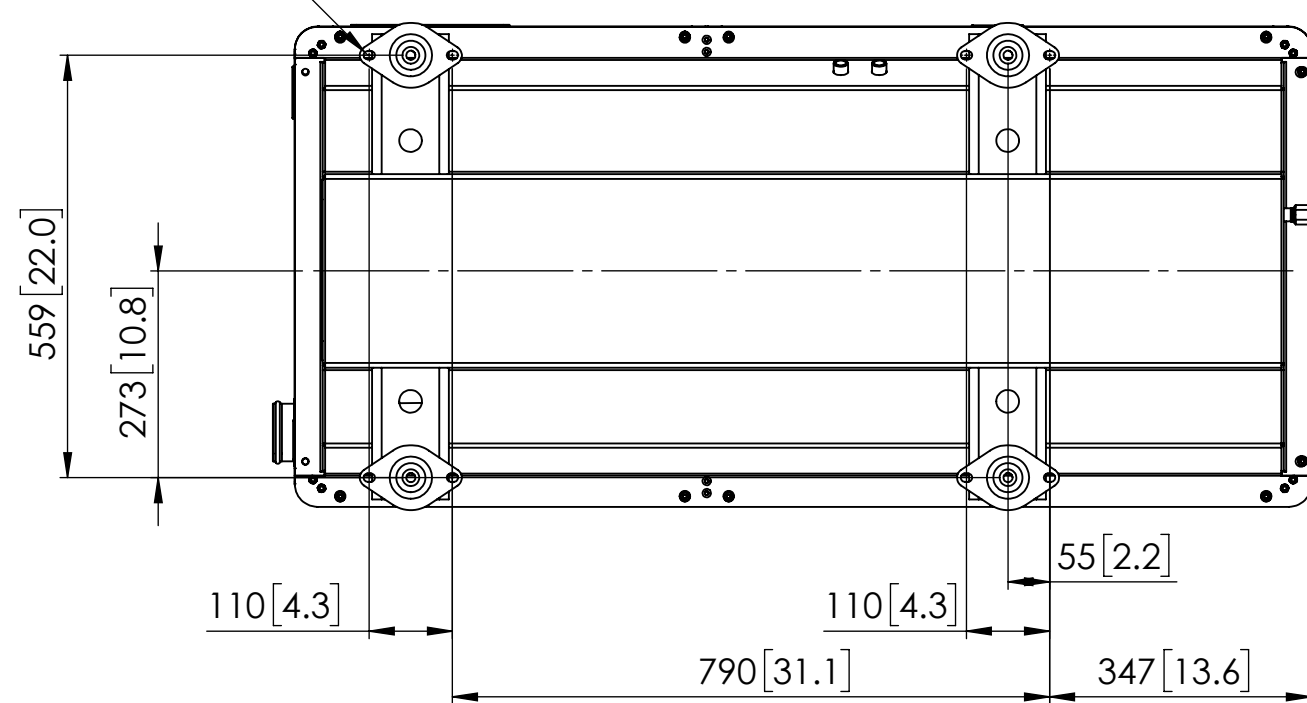


FRONT VIEW (PTO OPTION)

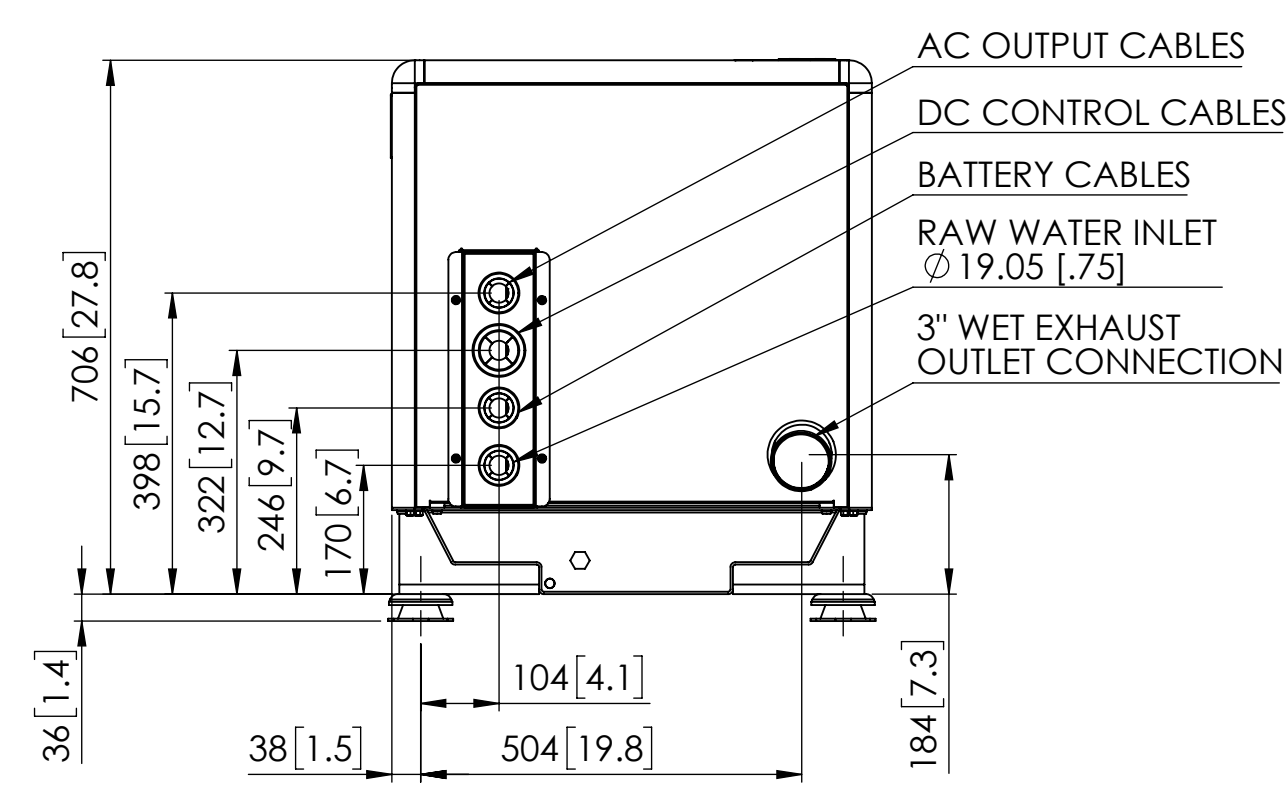


LEFT SIDE VIEW

$11$  [ $0.4$ ] X  $15$  [ $0.6$ ] SLOTTED HOLES  
 2 HOLES, 4 PLACES  
 OPTIONAL COMPOUND MOUNTS



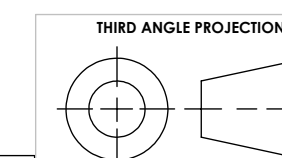
BOTTOM VIEW



FRONT VIEW (FORWARD PENETRATION OPTION)

TOTAL WEIGHT (WET): 514 KG. [1133 LBS.]  
 ADD 29.5 KG [65 LBS] FOR PTO OPTION.

THE DIMENSIONS ON THIS DRAWING ARE SUBJECT TO CHANGE.  
 PLEASE CONTACT NORTHERN LIGHTS INC TO BE SURE YOU HAVE  
 THE MOST CURRENT REVISION.



PROPRIETARY AND CONFIDENTIAL  
 THE INFORMATION CONTAINED IN THIS  
 DRAWING IS THE SOLE PROPERTY OF  
 NORTHERN LIGHTS. ANY REPRODUCTION  
 IN PART OR AS A WHOLE WITHOUT THE  
 WRITTEN PERMISSION OF NORTHERN  
 LIGHTS IS PROHIBITED.

REV.	DESCRIPTION	DATE	BY	CHECKED
C	ADDED TSC PANEL OPTION. MOVED ALL OPTIONS TO SHEET 2 OF 2. RESTORED SHEET 1 OF 2 TO STANDARD CONFIGURATION. ECN # 4353	10/11/2016	AZB	LTP 10/11/16
B	ECN#3096. WAS SHOWN WITH 2" NPT FEMALE DRY EXH CONNECTION. REPLACED WITH NEW DRY ELBOW WITH 2" FLANGED CONNECTION. ALSO ADDED NOTE TO SHOW RAW WATER OUTLET WHEN USED WITH DRY EXH OPT. DELETE WAVENET OPTION.	3/4/2015	LTP	TAH 3/4/2015
A	ADDED DRY EXHAUST OPTION AND RELATED FEATURES AND DIMENSIONS. FILED UNDER ECN#2847	9/8/2014	LTP	MG 9/8/14

UNLESS OTHERWISE SPECIFIED:		NAME	DATE	<p>4420 14th AVE. N.W. Seattle, WA 98107 (206) 789-3880 www.northern-lights.com</p>
DIMENSIONS ARE IN MILLIMETERS	DRAWN	AZB	10/11/16	
TOLERANCES:	CHECKED	LTP	10/11/16	
ANGULAR: MACH: 0.5° BEND: ± 1.0° X: ± 1.0	ENG APPR.			
INTERPRET GEOMETRIC TOLERANCING PER: ASME Y14.5M	MFG APPR.			<p>TITLE: INSTALLATION DIMENSIONS MB64W3 SOUND SHIELD, OPTIONAL EQUIPMENT</p>
MATERIAL:	Q.A.			
FINISH:	COMMENTS:			<p>SIZE: PART NO. DWG. NO. REV</p> <p><b>D</b> SEE P/N TABLE <b>D-4565</b> <b>C</b></p> <p>SCALE: 1:10 WEIGHT: SHEET 2 OF 2</p>

P/N	APPLICATION
05-78720	NLI White T009-WH12
05-78725	Traffic White RAL 9016