

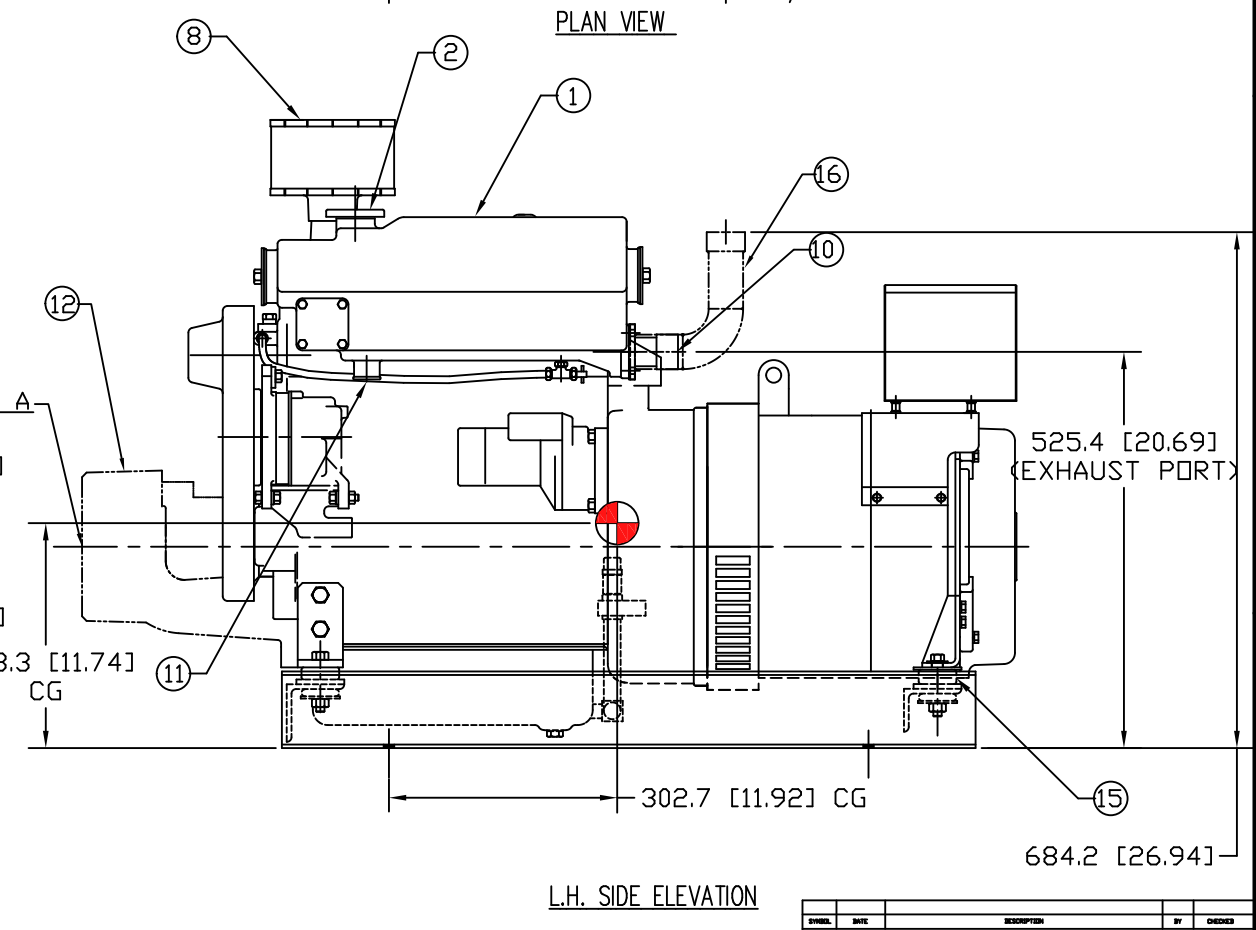
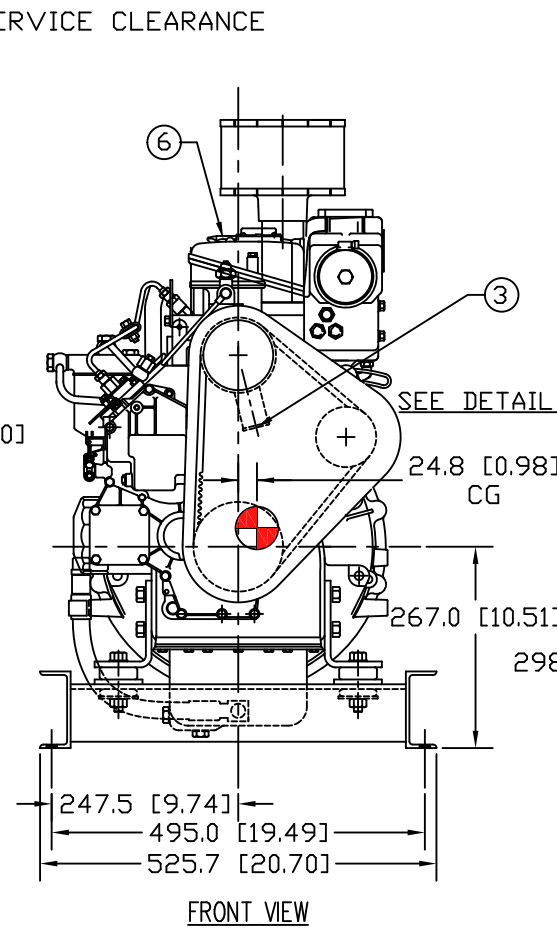
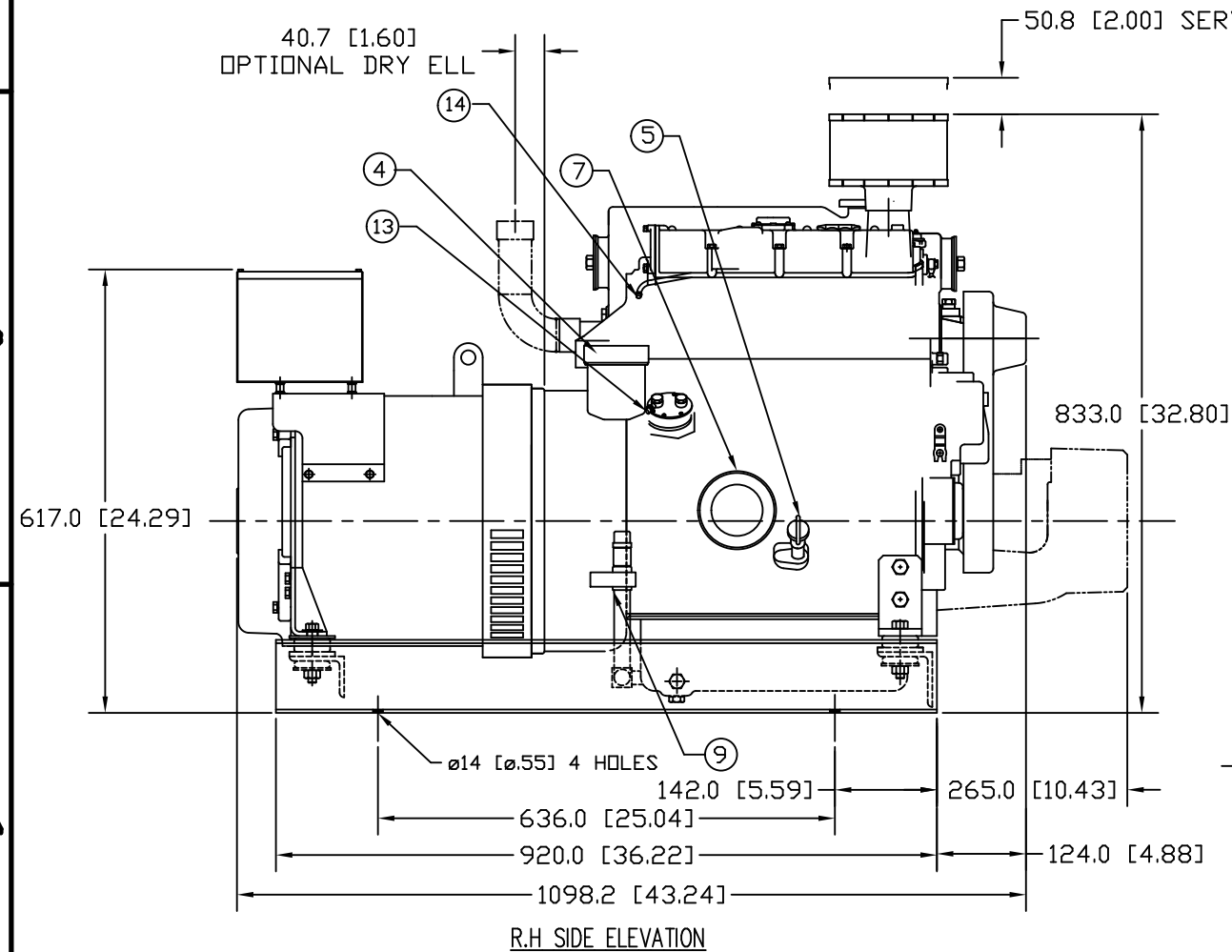
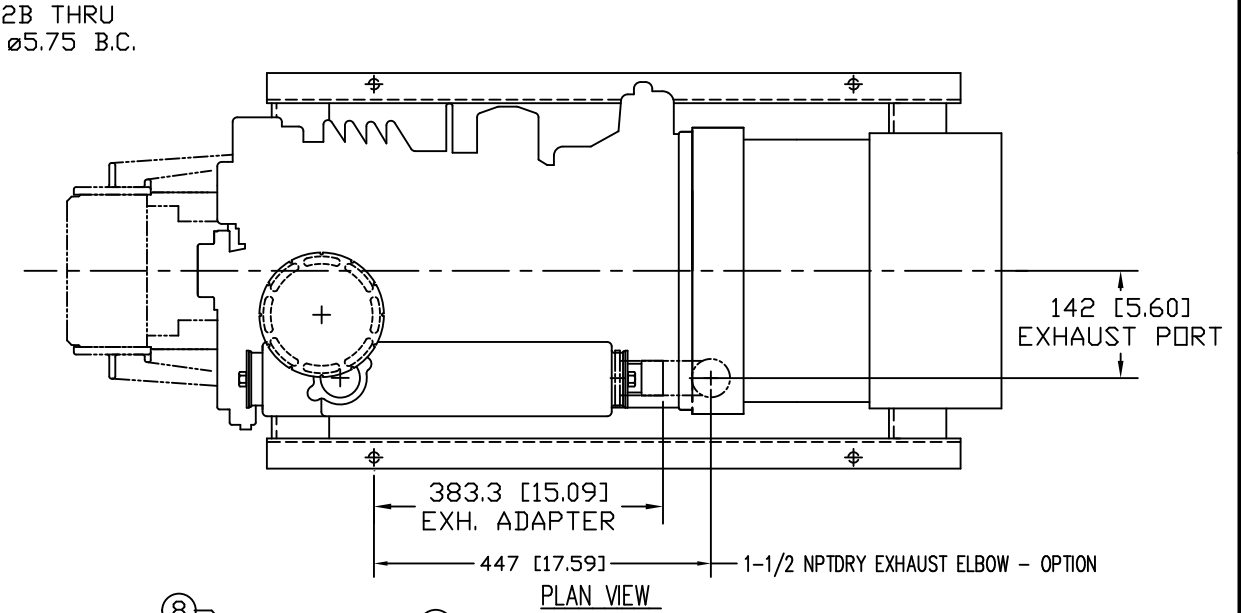
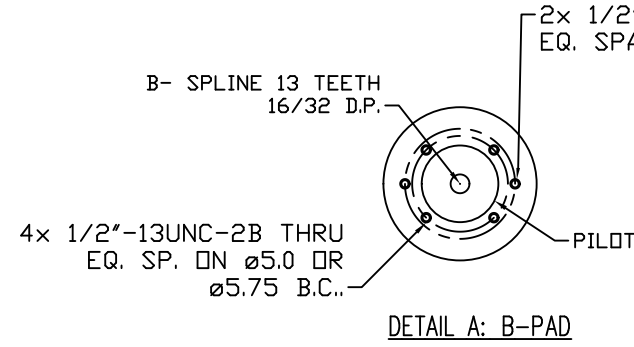
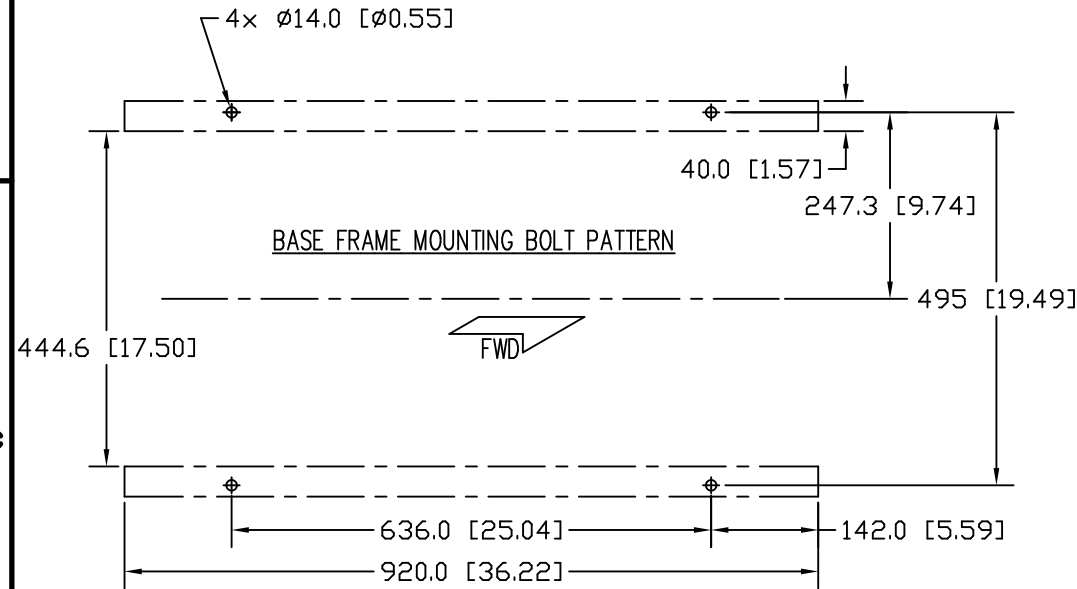
MODELS	
M20CRW3	20kW 3Ø 60Hz 1800RPM
M20CRW3	20kW 1Ø 60Hz 1800RPM
M20CRW3	16kW 3Ø 50Hz 1500RPM
M20CRW3	16kW 1Ø 50Hz 1500RPM

MAXIMUM HYD. PUMP WT.: 19 Kg (42 Lbs.)
 MAXIMUM PTO TORQUE: 12.1 Kgm (87 Ft. lbs.)

NOTE:

- 1) CENTER OF GRAVITY DOES NOT INCLUDE PTO/CLUTCH ASSEMBLY
- 2) PTO ADAPTER/CLUTCH ASSEMBLY (ONLY) WEIGHS APPROX. 65LBS (29.5KG)
- 3) CUSTOMER MUST RECALCULATE C.G. FOR ADDITION OF WATER PUMP.

LEGEND			
ITEM	DESCRIPTION	ITEM	DESCRIPTION
1	EXPANSION TANK	9	ENGINE OIL DRAIN HOSE ASSY
2	COOLANT FILL	10	DRY EXHAUST STUB (1-1/2" NPT) - STANDARD
3	RAW WATER INLET (Ø34 O.D.)	11	Ø34 RAW WATER OUTLET (IF DRY EXHAUST)
4	FUEL FILTER	12	PTO/CLUTCH STD MTG FACE, SAE J744C, 2 OR 4 BOLT
5	CRANKCASE OIL DIPSTICK	13	FUEL INLET: 1/2-20 UNF
6	CRANKCASE OIL FILLER	14	FUEL RETURN: 7/16-20 UNF
7	CRANKCASE OIL FILTER	15	CENTERBONDED MOUNT
8	INTAKE AIR FILTER	16	DRY EXHAUST ELBOW (1-1/2 NPT) - OPTIONAL



THE DIMENSIONS ON THIS DRAWING ARE SUBJECT TO CHANGE. PLEASE CONTACT NORTHERN LIGHTS TO BE SURE YOU HAVE THE MOST CURRENT REVISION.

WET WEIGHT: 441 kg (973.7 lbs)



PROPRIETARY AND CONFIDENTIAL. THE INFORMATION CONTAINED IN THIS DRAWING IS THE SOLE PROPERTY OF NORTHERN LIGHTS. ANY REPRODUCTION IN WHOLE OR IN PART WITHOUT THE WRITTEN PERMISSION OF NORTHERN LIGHTS IS PROHIBITED.

NO.	DATE	DESCRIPTION	BY	CHECKED
REVISIONS				

TOLERANCES UNLESS OTHERWISE SPECIFIED:
 JOC: ±
 JOC: ±
 ANGULAR: ±

CAD: 10/1/12
 CHECKED: MG 10/2/12
 THIRD ANGLE PROJECTION
 SCALE: 1/5
 SHEETS: 1 OF 1
 UNITS OF MEASURE: MM

NORTHERN LIGHTS
 4430 14th Avenue N.W.
 Seattle, WA 98147
 (206) 750-0000
 www.northern-lights.com

TITLE: INSTALLATION DIMENSIONS
 NOOBS: 34/16 20M/16M 1800/1500 RPM 60/50 Hz K.C. CENTERBONDED
 P/N: D-4606 REV: