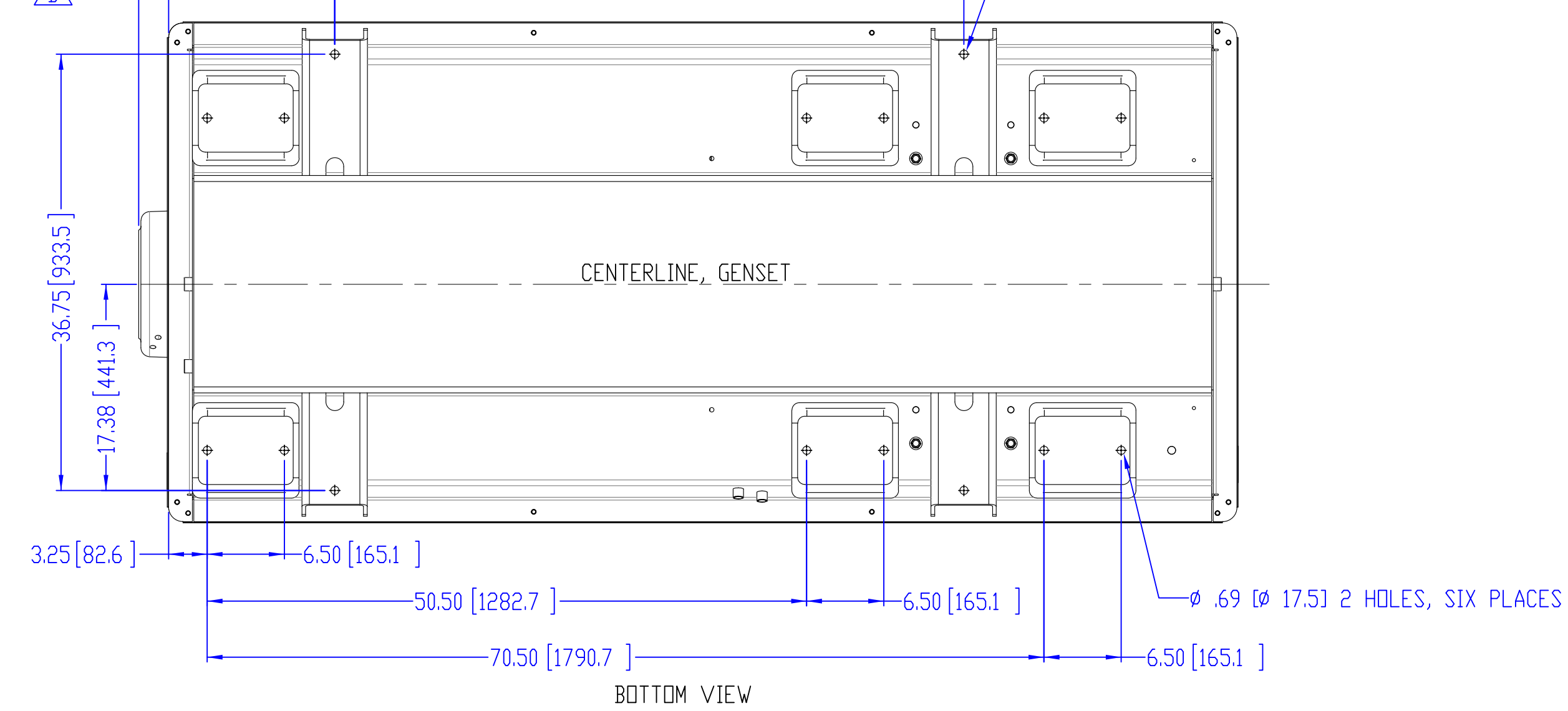
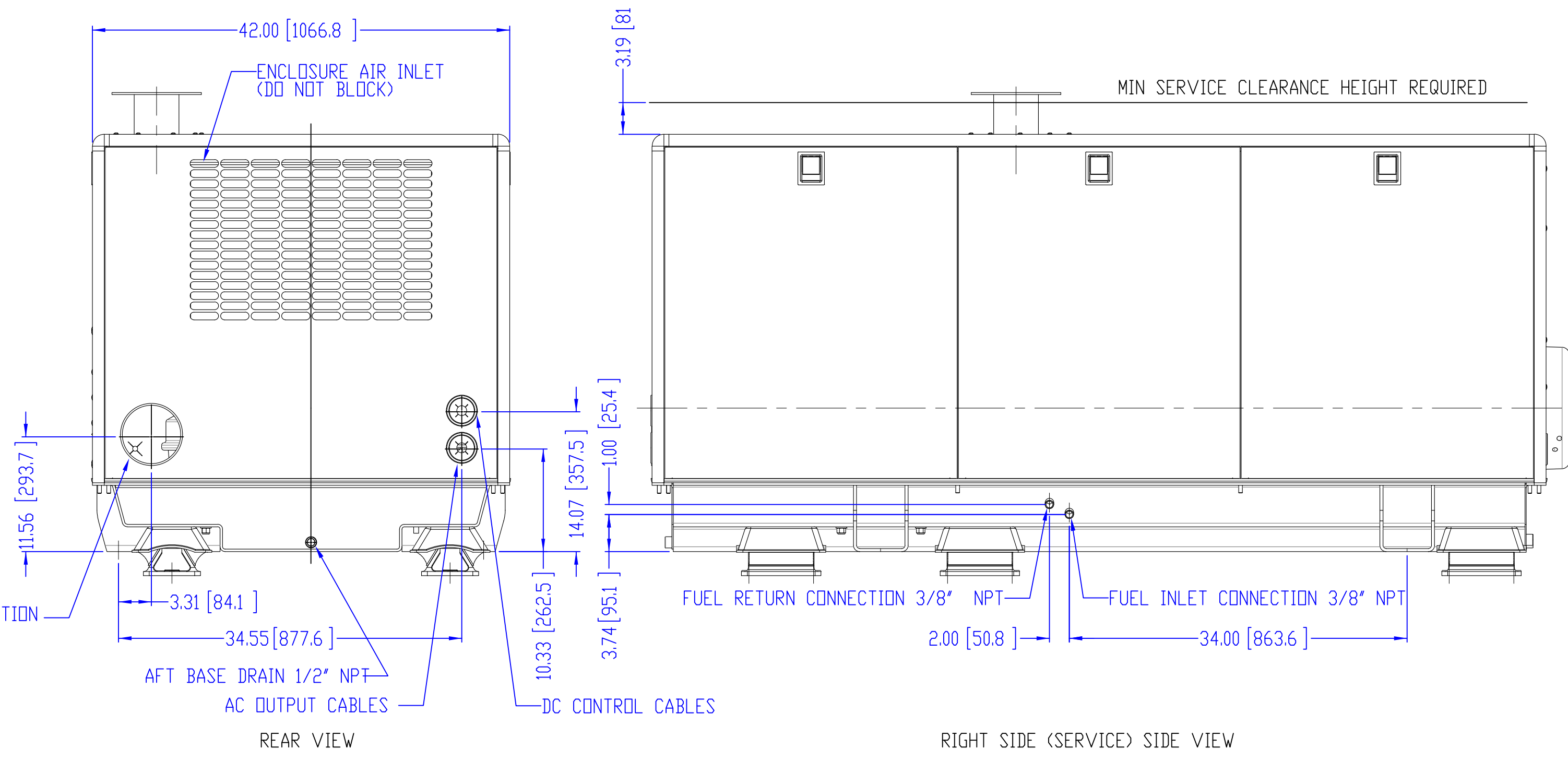
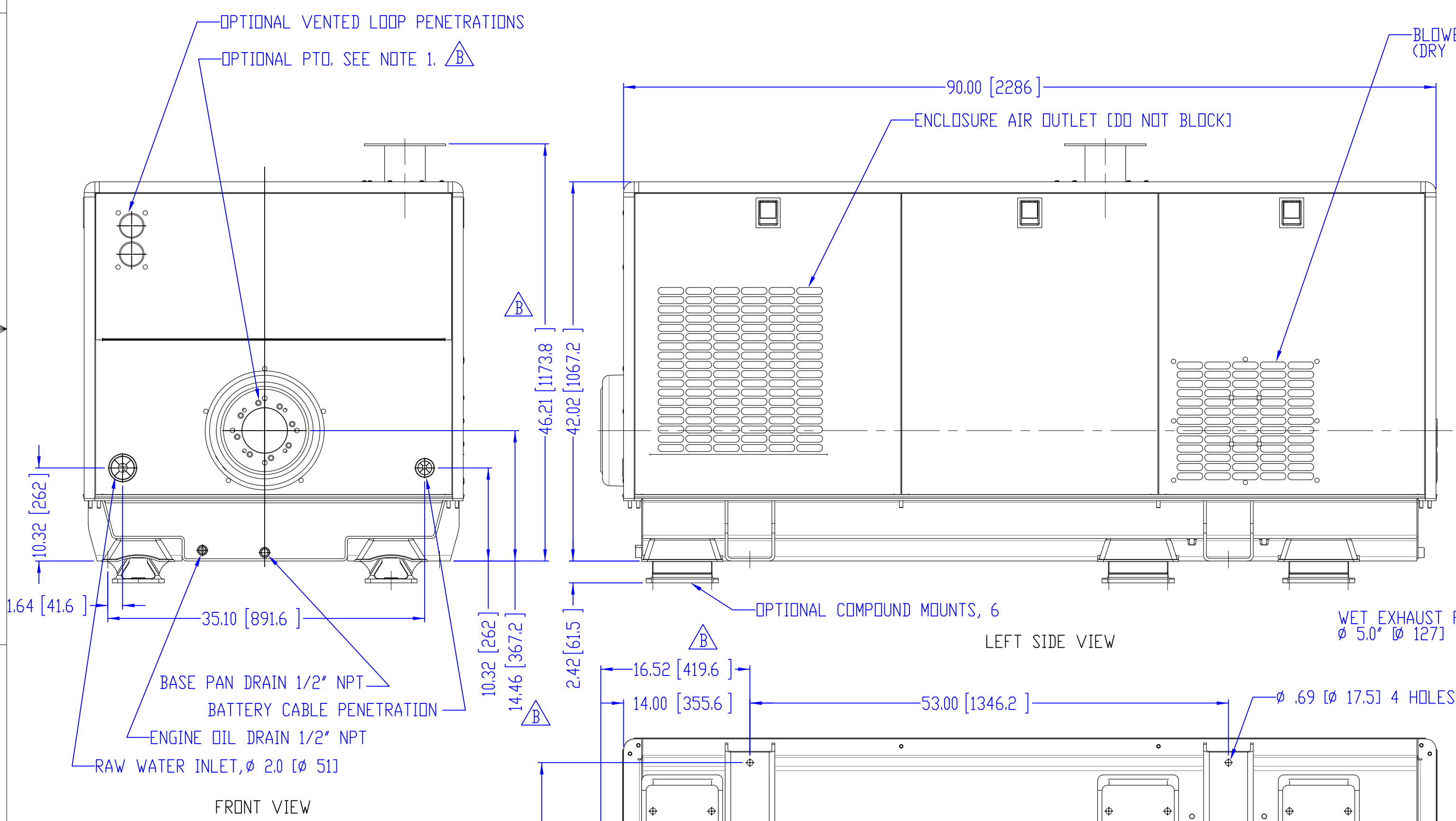
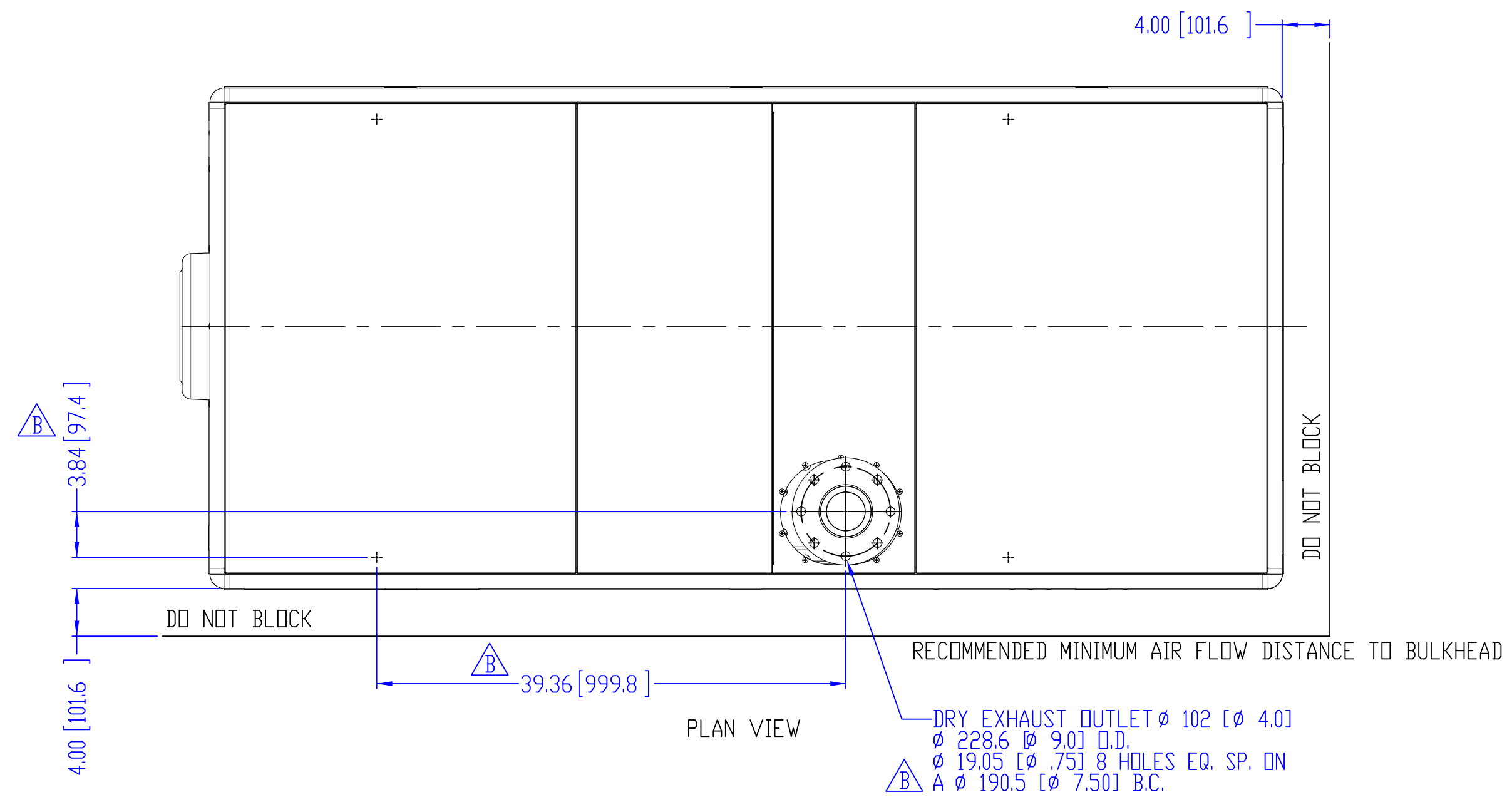


APPLICATION (GENSET +SOUND SHIELD)	EST. WET WT lbs(kg)
M1066H.1L 185kW 1800 RPM 3 Ø	4212 [1911]
M1066H.3L 155kW 1500 RPM 3 Ø	4212 [1911]
M1066H.52L 165kW 1500 RPM 3 Ø	4212 [1911]

NOTES:
 1. OPTIONAL PTD PUMP MOUNTING FACE.
 C-SPLINE 14T 12/24 D.P.Ø 1-1/4" SPLINE.
 5/8-13UNC-2B THRU (4) EQ. SP. DNØ 7.1258 B.C.
 & 1/2-13UNC-2B THRU (4) EQ. SP. DNØ 6.375 B.C.
 PILOT BORE: Ø 127.00/126.94 [Ø 5.000/4.998]



REV.	DESCRIPTION	DATE	BY	CHECKED
D	CORRECTED WEIGHTS IN ERROR AND REMOVED REFERENCE TO M1066A IN TITLE BLOCK. FILED UNDER ECN#4477	11/23/16	AZB	TAH 11/23/16
C	UPDATE APPLICATIONS TABLE, REMOVED ALL M1066A REFERENCE TO SEPARATE DRAWING. FILED UNDER ECN#3266	4/24/2015	LTP	TAH 5/5/2015
B	UPDATED DRAWING PER ECN#3261. ADDED OPTIONAL FEATURES AND RELATED DIMS.	4/22/2015	LTP	TAH 4/22/15
A	ADDED APPLICATIONS TABLE WITH WEIGHT, FILED UNDER ECN #2298	3/4/2013	LTP	

THIRD ANGLE PROJECTION

UNLESS OTHERWISE SPECIFIED, DIMENSIONS ARE IN MILLIMETERS

TOLERANCES:
 ANGULAR: MACH ± 0.5°
 HOLE: ± 0.10"
 X: ± 0.05"
 XX: ± 0.03"

INTERPRET GEOMETRIC TOLERANCING PER: ASME Y14.5M

MATERIAL:

FINISH:

DO NOT SCALE

PROPRIETARY AND CONFIDENTIAL THE INFORMATION CONTAINED IN THIS DRAWING IS THE SOLE PROPERTY OF NORTHERN LIGHTS. ANY REPRODUCTION IN PART OR AS A WHOLE WITHOUT THE WRITTEN PERMISSION OF NORTHERN LIGHTS IS PROHIBITED.

NORTHERN LIGHTS
 4420 14th AVE. N.W.
 Seattle, WA 98107
 (206) 789-3880
 www.northern-lights.com

TITLE: INSTALLATION DIMENSIONS
 M1066H

SIZE: D PART NO. D-4634 DWG. NO. D-4634 REV. D

SCALE: 1:10 WEIGHT: SHEET 1 OF 1