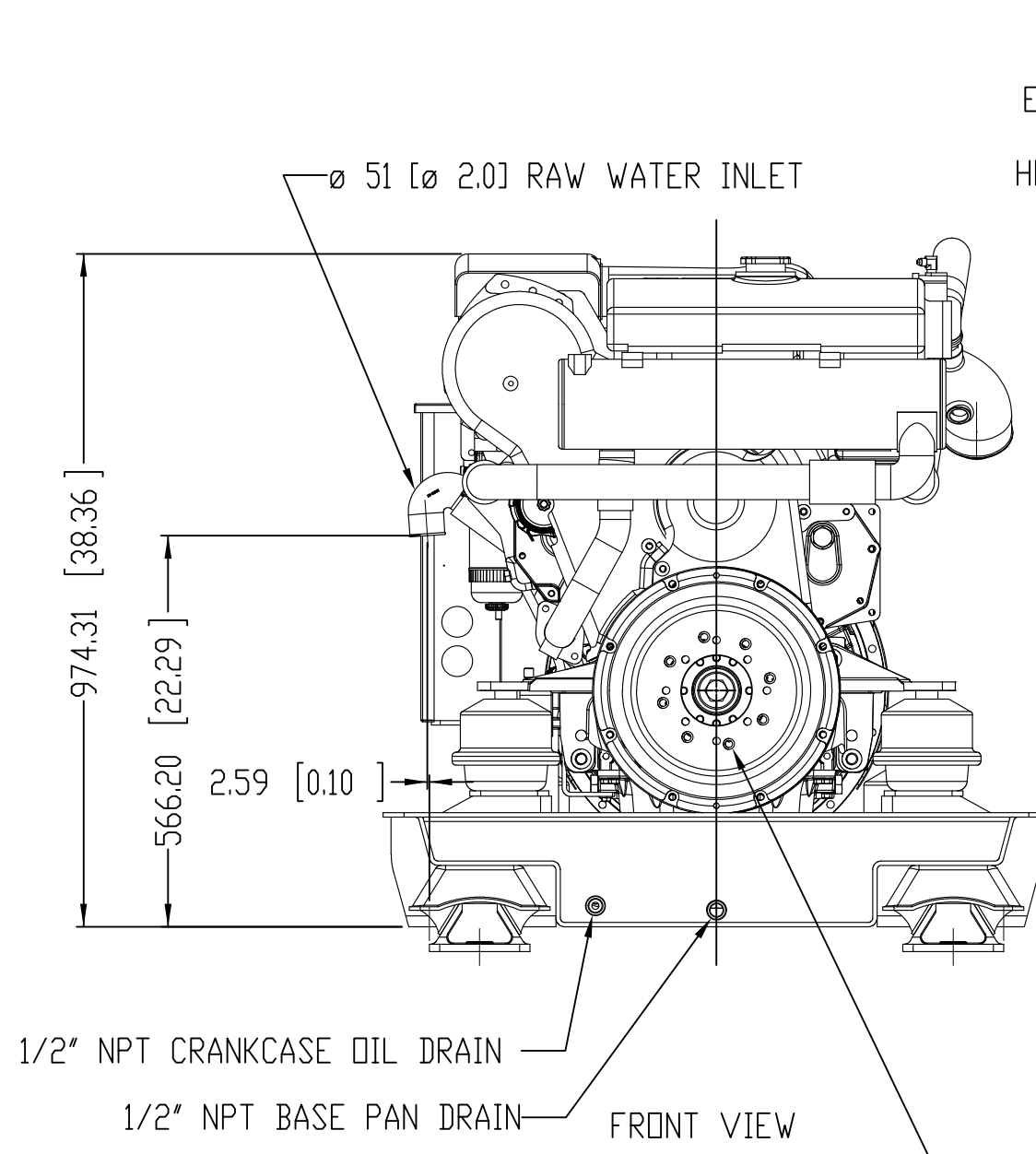
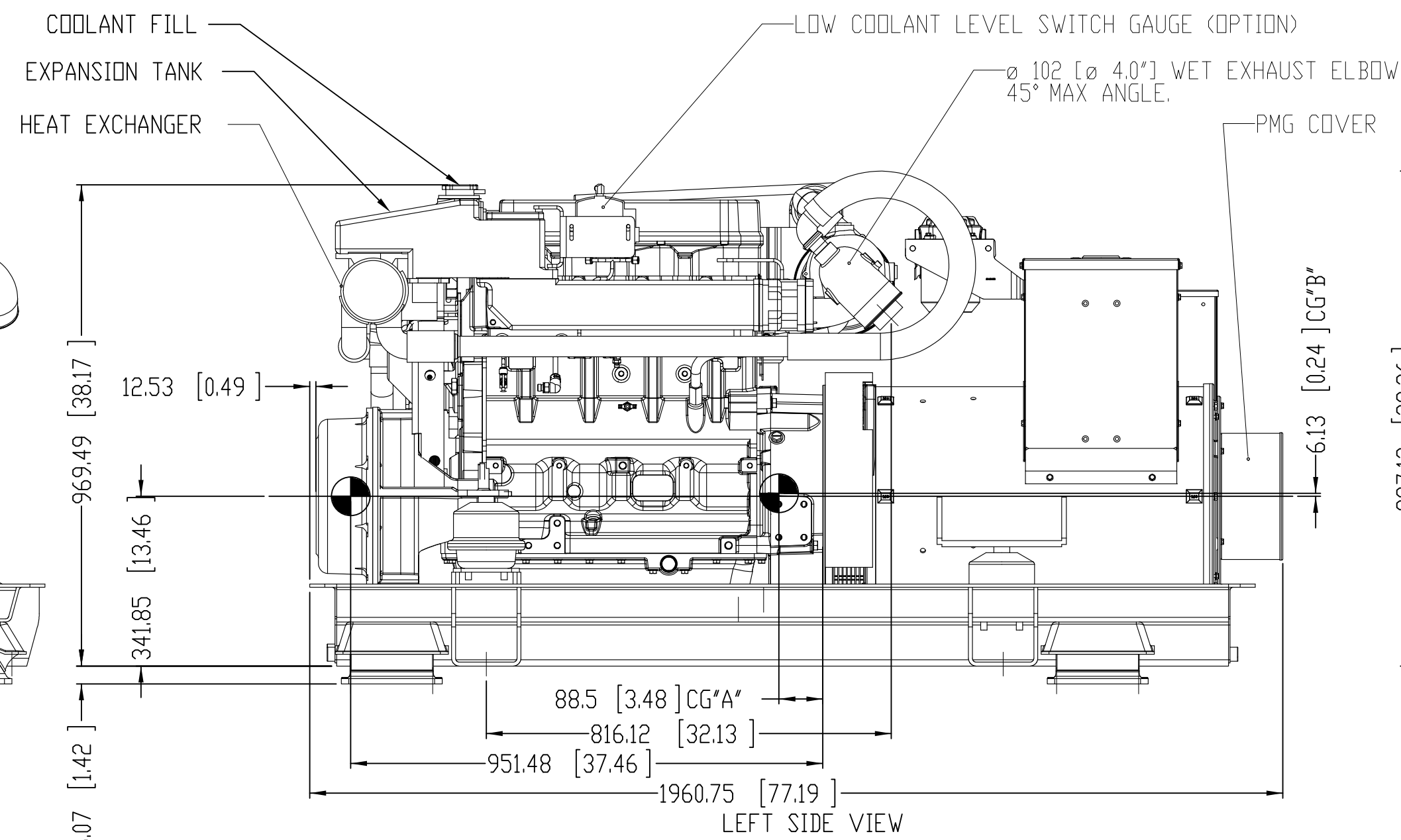


PLAN VIEW

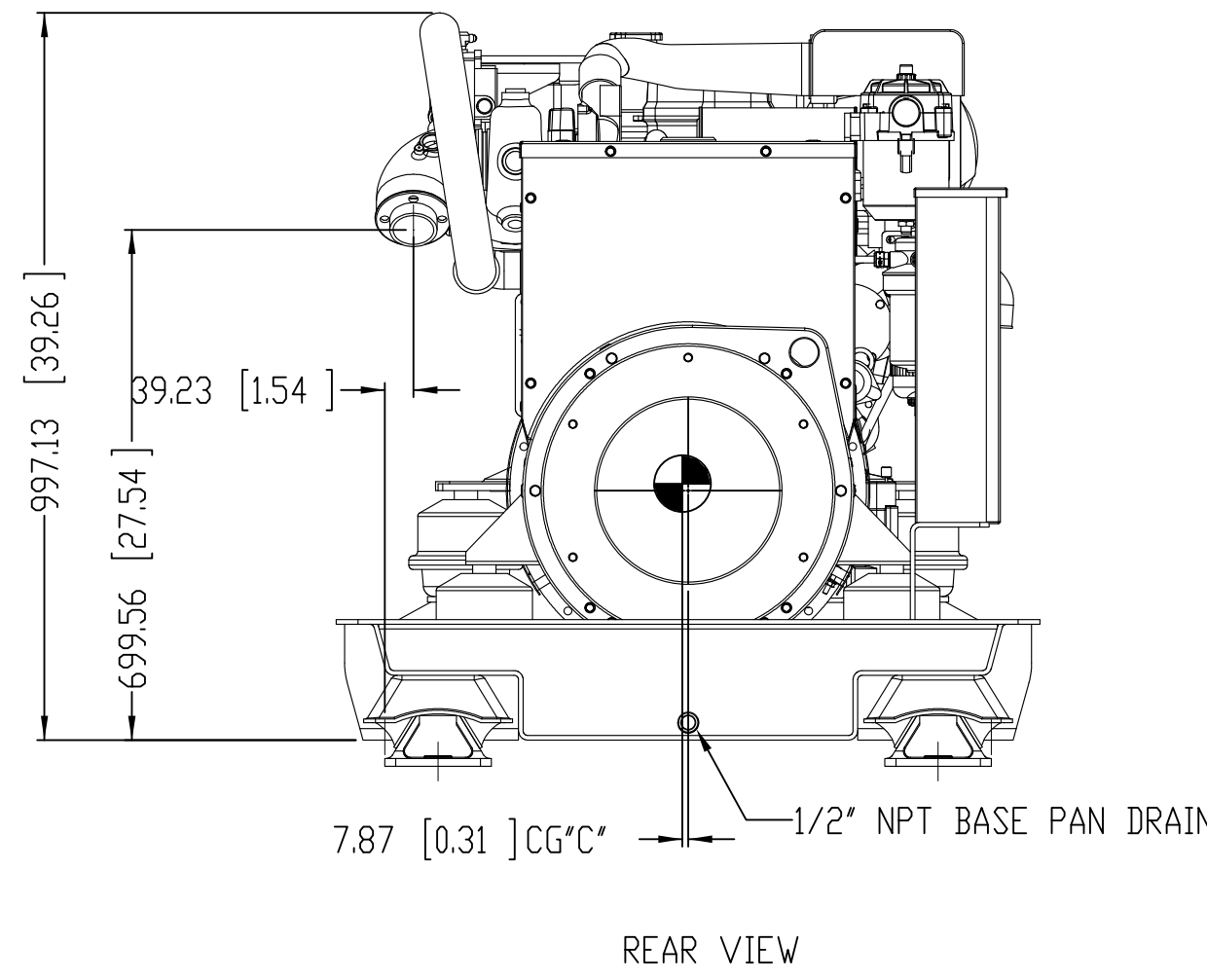


FRONT VIEW

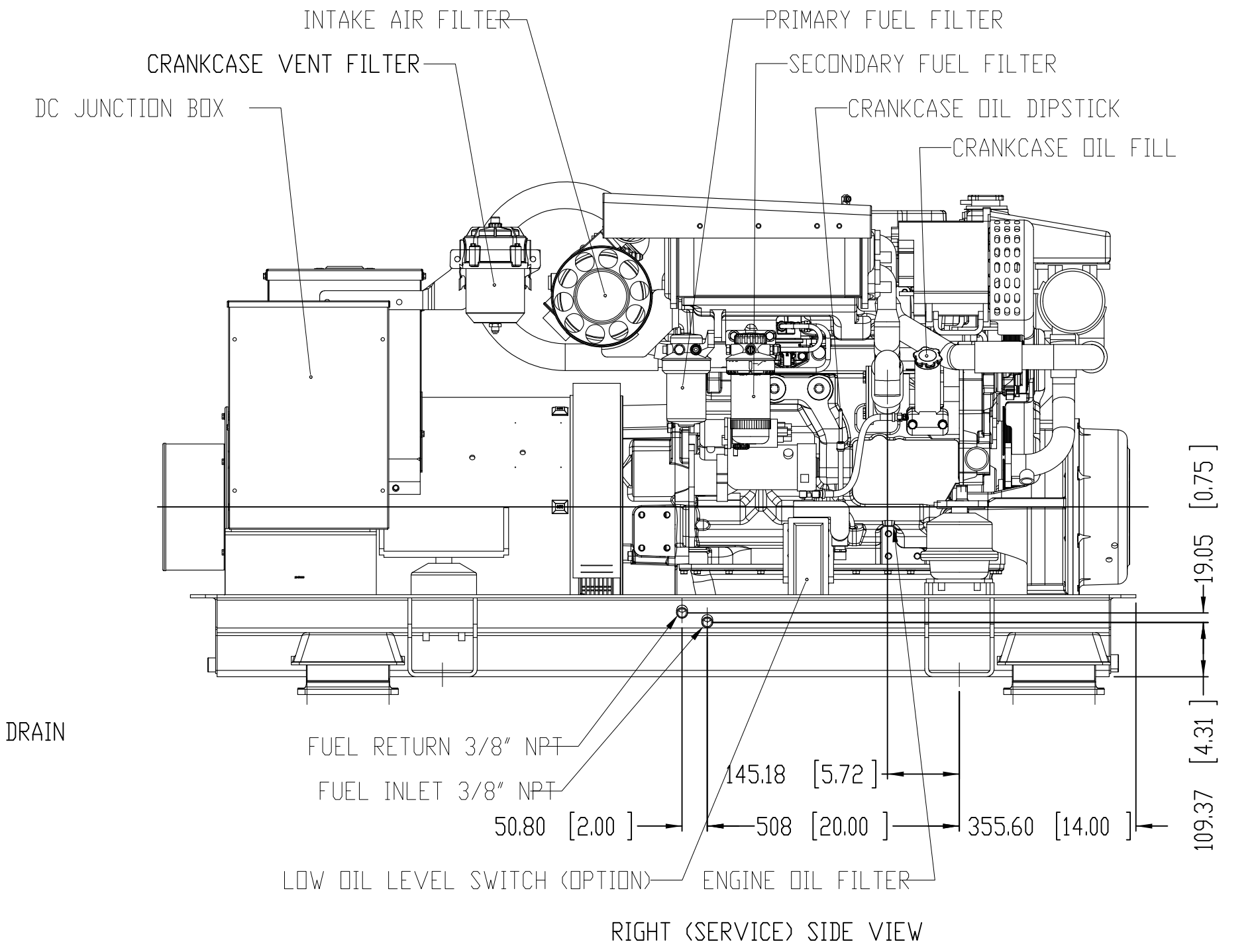
PTD PUMP MTG FACE (OPTION)  
 H36 "B" SPLINE 13T 16/32 DP 7/8 SPLINE  
 OR  
 H36 "C" SPLINE 14T 12/24 DP 1-1/4" SPLINE



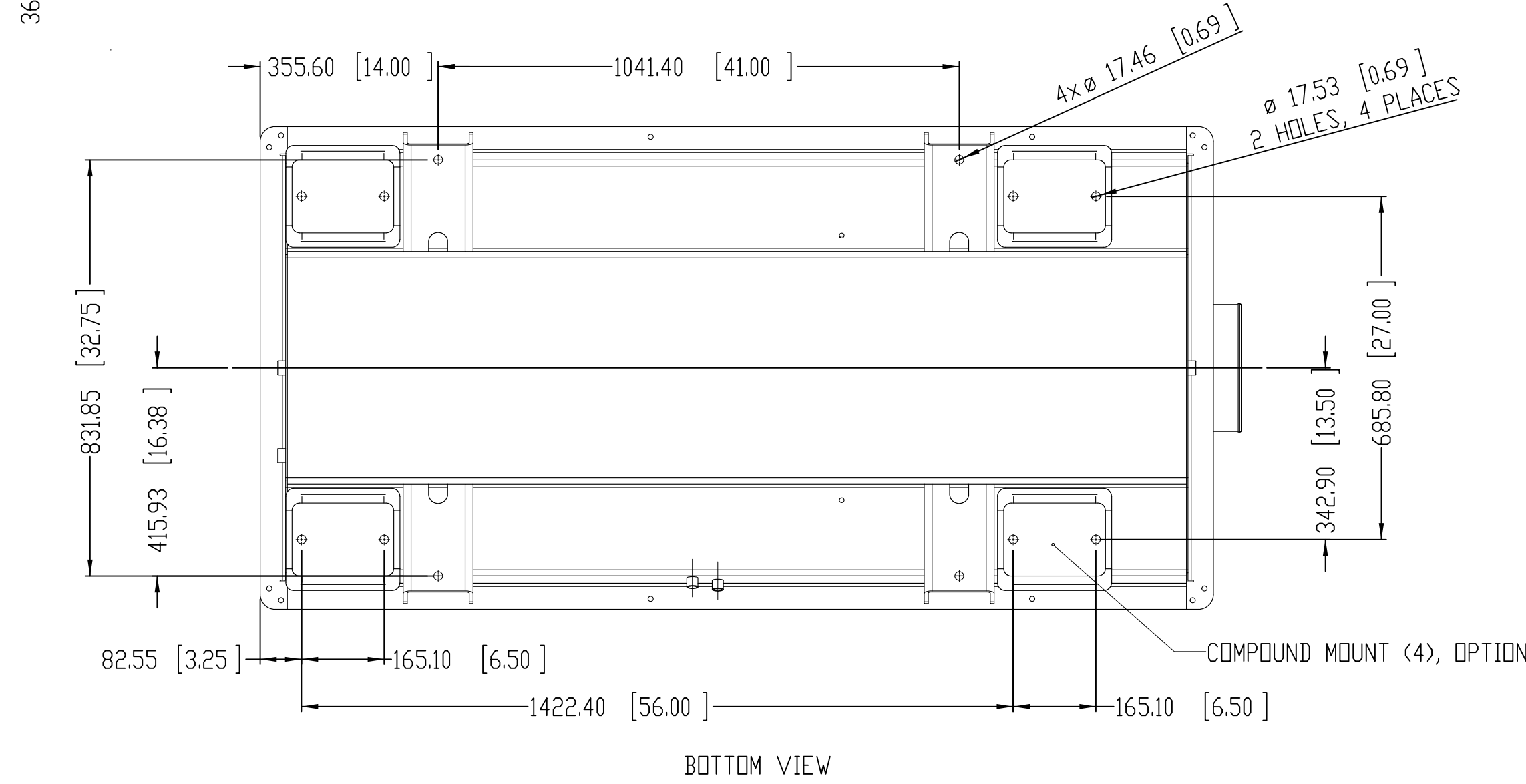
LEFT SIDE VIEW



REAR VIEW



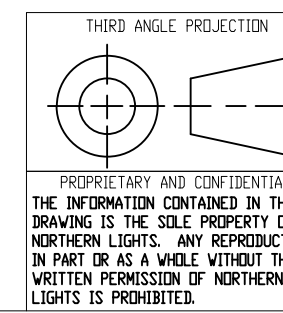
RIGHT (SERVICE) SIDE VIEW



BOTTOM VIEW

- NOTES:  
 1. CENTER OF GRAVITY VALUES DO NOT INCLUDE PTD/CLUTCH ASSEMBLY.  
 2. PTD ADAPTER/CLUTCH ASSY WEIGHS APPROX. 52 KG [116 lbs].  
 3. CUSTOMER MUST RECALCULATE CG FOR ADDITION OF HYDRAULIC PUMP.

WET WEIGHT: 1286 KG [2836 lbs] W/O PTD OPTION.  
 1339 KG [2952 lbs] W/ PTD OPTION.



UNLESS OTHERWISE SPECIFIED, DIMENSIONS ARE IN MILLIMETERS	NAME	DATE	
TOLERANCES:	DRAWN	LTP	3/21/13
ANGULAR:	CHECKED		
MACH ± 0.5°	ENG APPR		
BEND ± 10°	MFG APPR		
X ± 0.05	QA		
XX ± 0.03	COMMENTS:		
INTERPRET GEOMETRIC TOLERANCING PER: ASME Y14.5M			
MATERIAL:			
FINISH:			
DO NOT SCALE			

**NORTHERN LIGHTS**  
 4420 14th AVE. N.W.  
 Seattle, WA 98107  
 (206) 789-3880  
 www.northern-lights.com

TITLE: **INSTALLATION DIMENSIONS**  
**M1064H**

SIZE	PART NO.	DWG. NO.	REV.
D		D-4635	

SCALE: 1:10 WEIGHT: SHEET 1 OF 1

D-4635 187