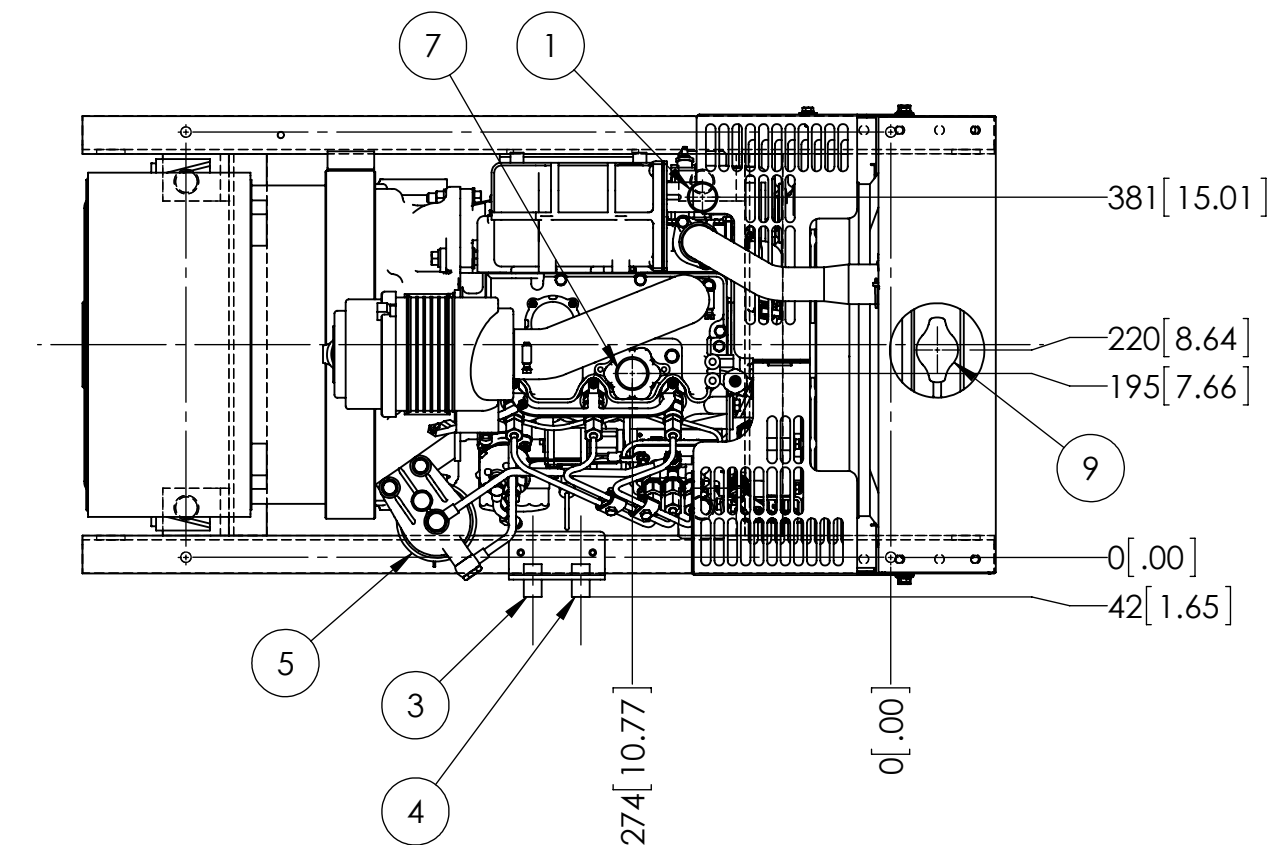
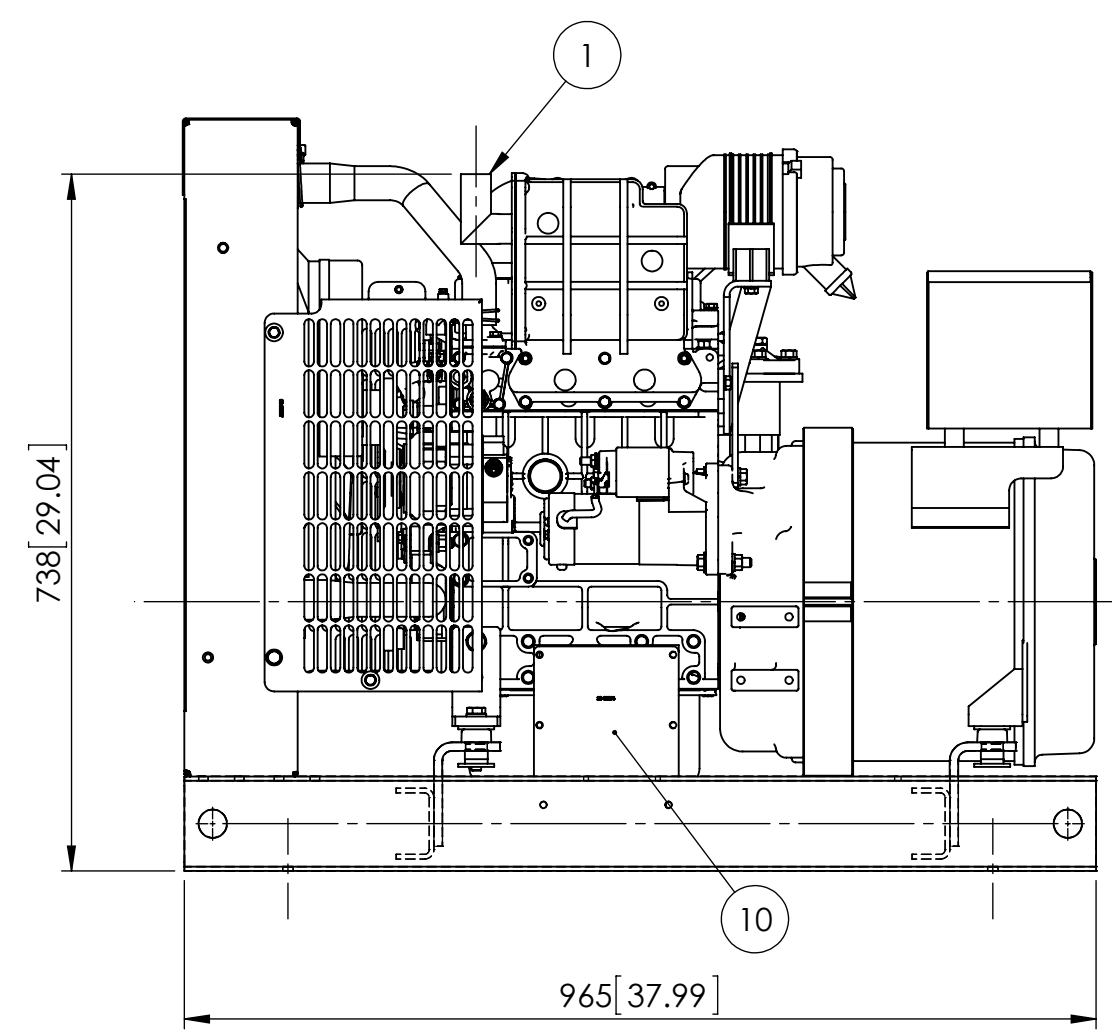


MODELS	APPROX. WT. kg [lbs]
NL773LW4 1800 RPM 60Hz 8kW 1 Ø	251 [554]
NL773LW4E 1800 RPM 60Hz 9kW 1 Ø	251 [554]

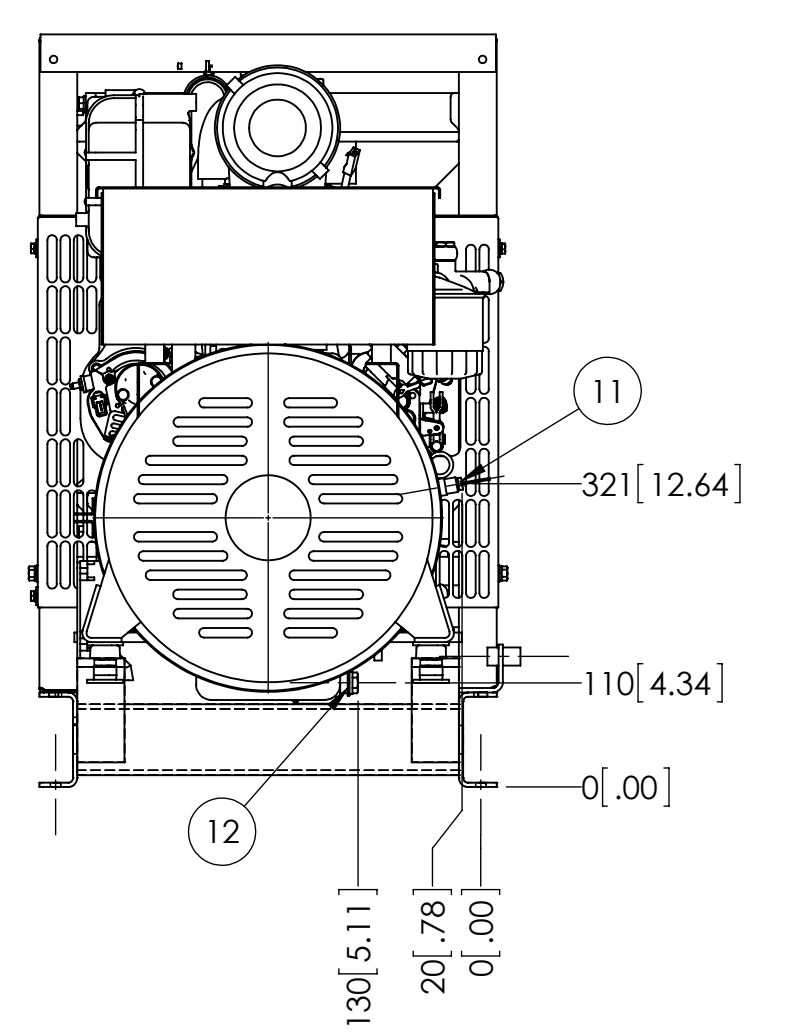
ITEM	DESCRIPTION
1	EXHAUST ELBOW Ø32 [1.25]
2	AIR FILTER
3	FUEL INLET 1/4"NPT
4	FUEL RETURN 1/4"NPT
5	FUEL FILTER
6	OIL FILTER
7	OIL FILL
8	OIL DIPSTICK
9	COOLANT FILL
10	ECU (ON NL773LW4E ONLY)
11	MAGNETIC PICK-UP (ON NL773LW4E ONLY)
12	OIL DRAIN



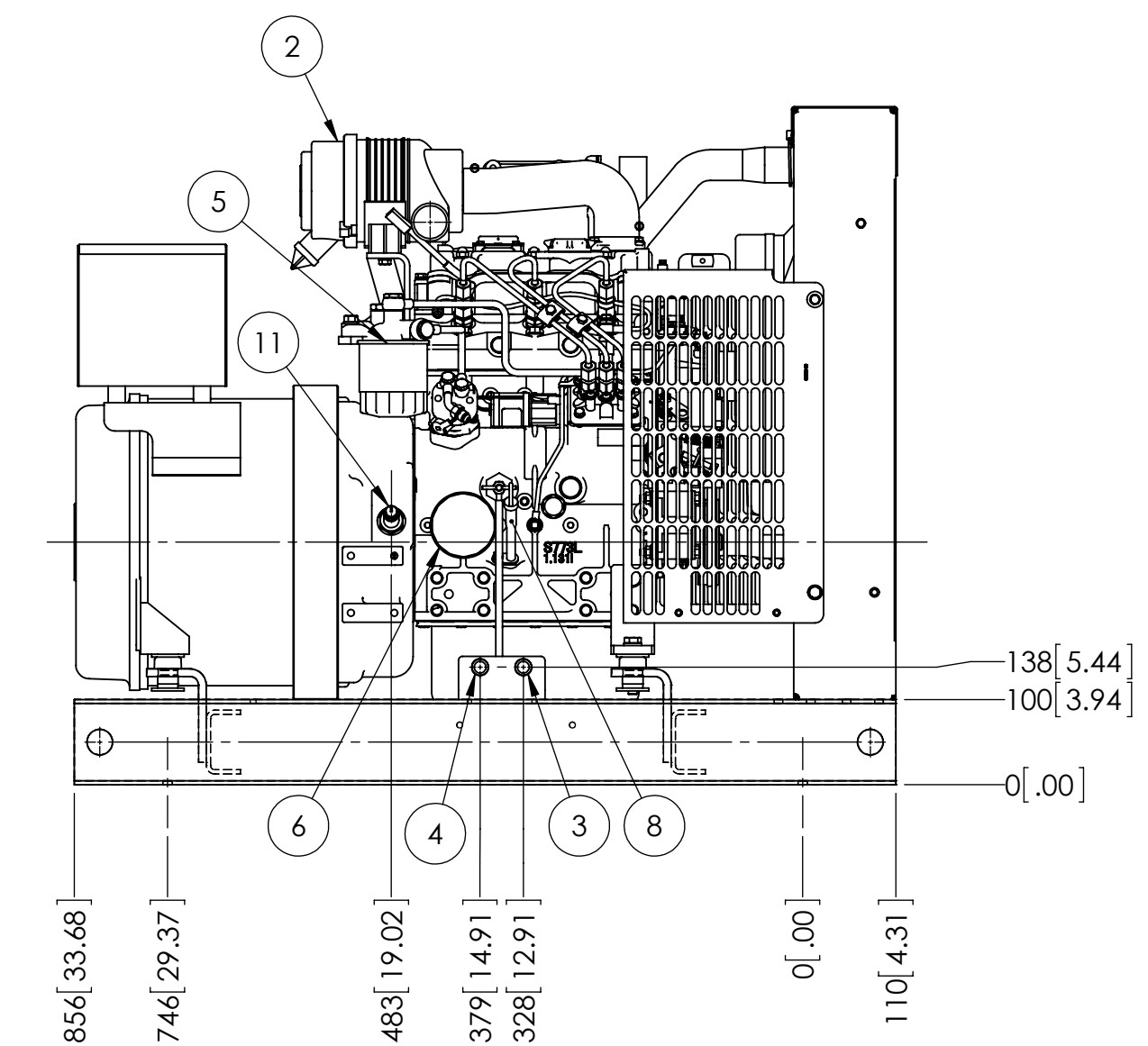
PLAN VIEW



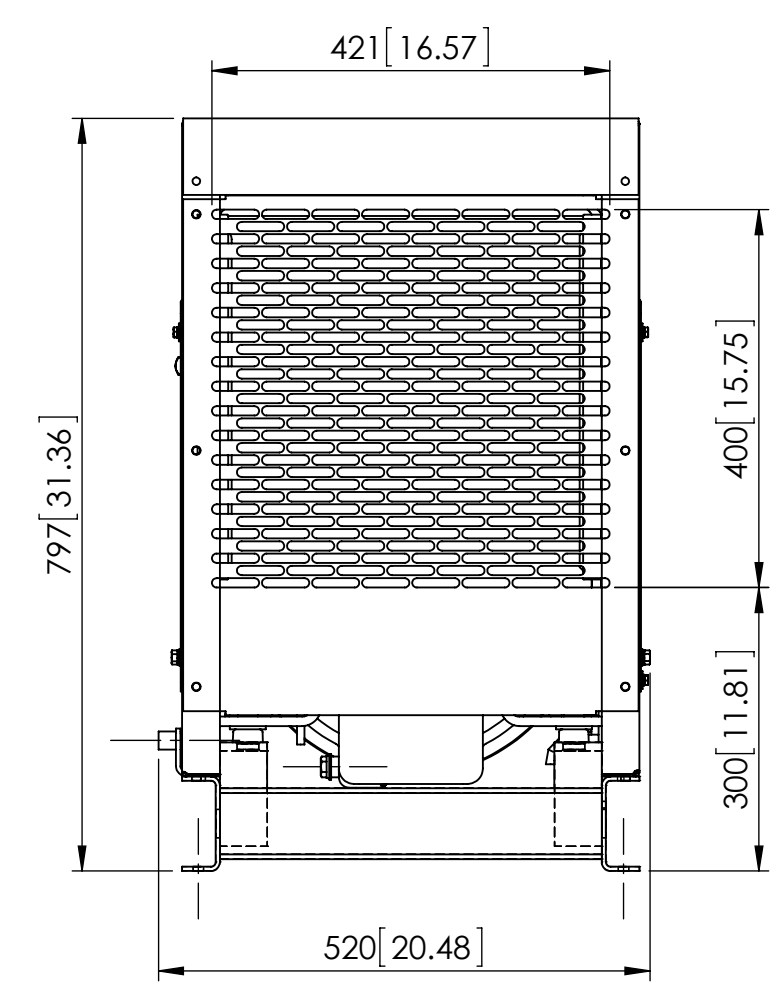
LEFT SIDE



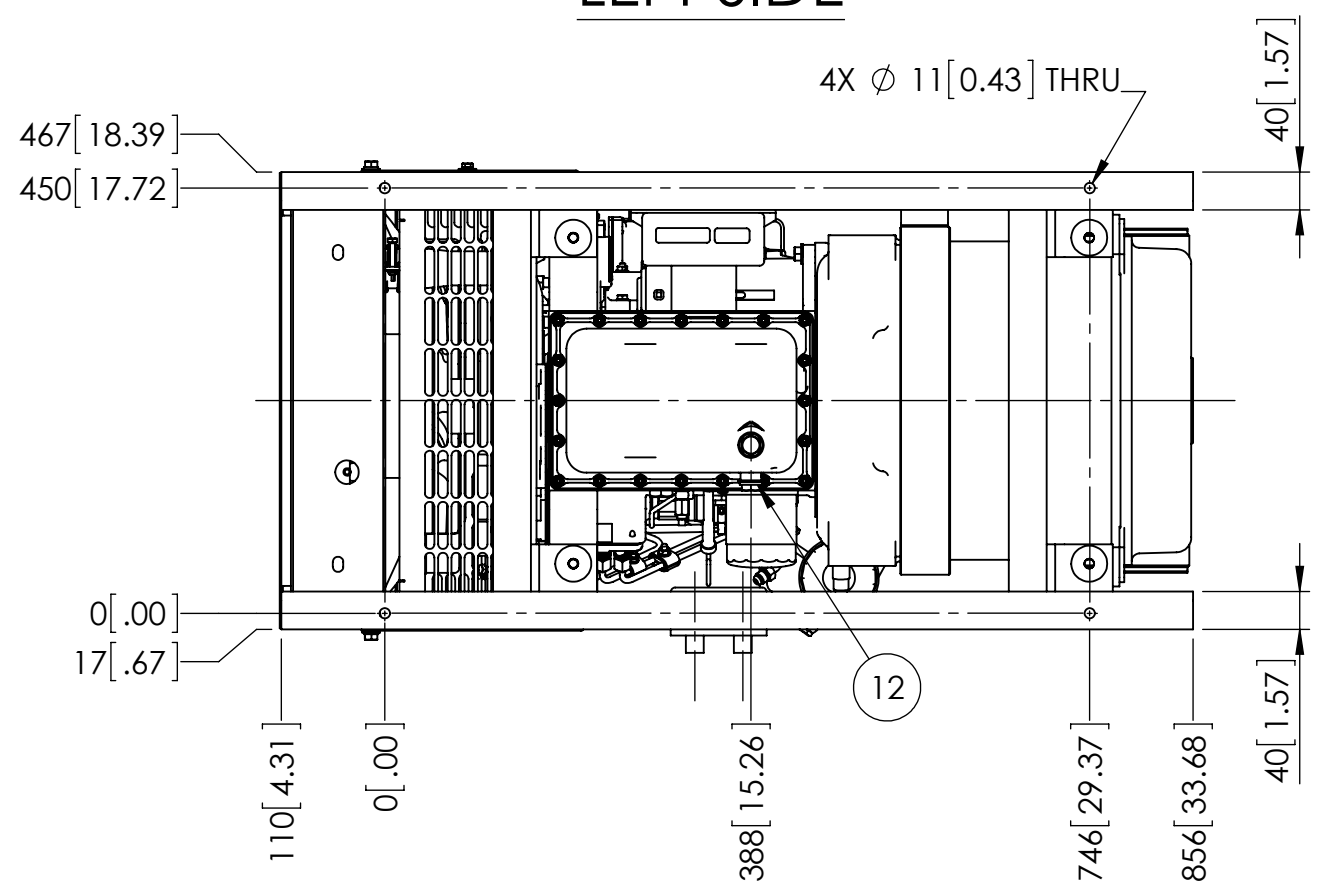
REAR VIEW



RIGHT SIDE

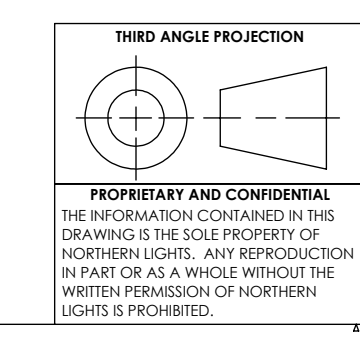


FRONT VIEW



BOTTOM VIEW

THE DIMENSIONS ON THIS DRAWING ARE SUBJECT TO CHANGE. PLEASE CONTACT NLI TO BE SURE YOU HAVE THE MOST CURRENT VERSION.



UNLESS OTHERWISE SPECIFIED:		NAME	DATE
DIMENSIONS ARE IN MILLIMETERS		MG	04/09/13
TOLERANCES:		CHECKED	LTP
ANGULAR: MACH ± 0.5° BEND ± 1.0°		ENG APPR.	
X. ± 0.3		MEG APPR.	
X.X ± 0.3		G.A.	
INTERPRET GEOMETRIC TOLERANCING PER ASME Y14.5M		COMMENTS:	
MATERIAL:			
FINISH:			
DO NOT SCALE			

		4420 14th AVE. N.W. Seattle, WA 98107 (206) 789-3880 <a href="http://www.northern-lights.com">www.northern-lights.com</a>	
		TITLE: <b>INSTALLATION DIMENSIONS          NL773LW4/NL773LW4E</b>	
SIZE	PART NO.	DWG. NO.	REV
<b>D</b>	<b>SEE TABLE</b>	<b>D-4652</b>	
SCALE: 1:8	WEIGHT:	SHEET 1 OF 1	