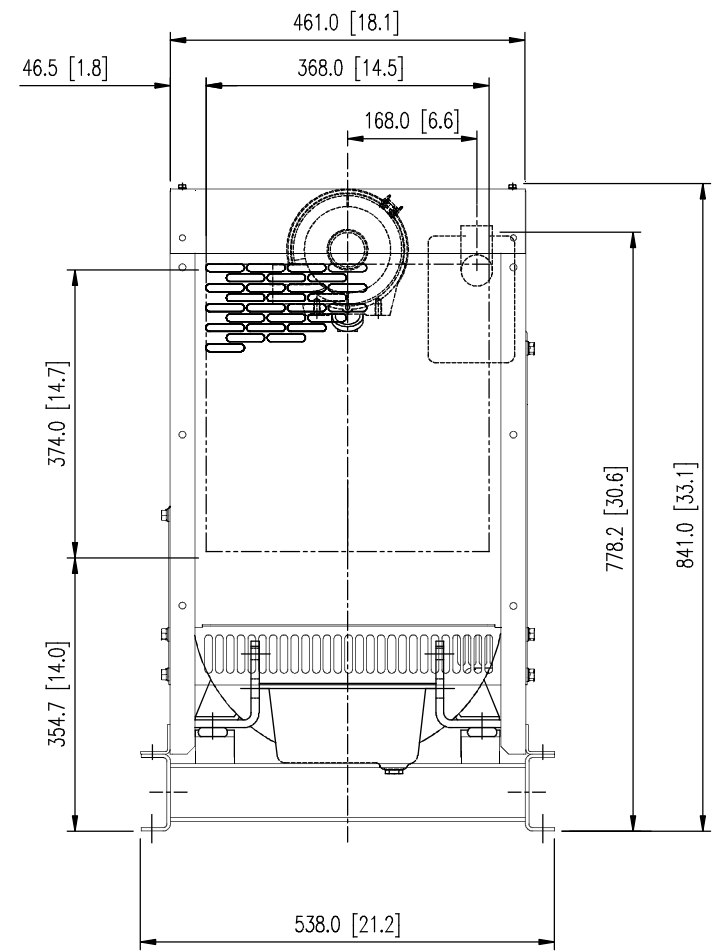
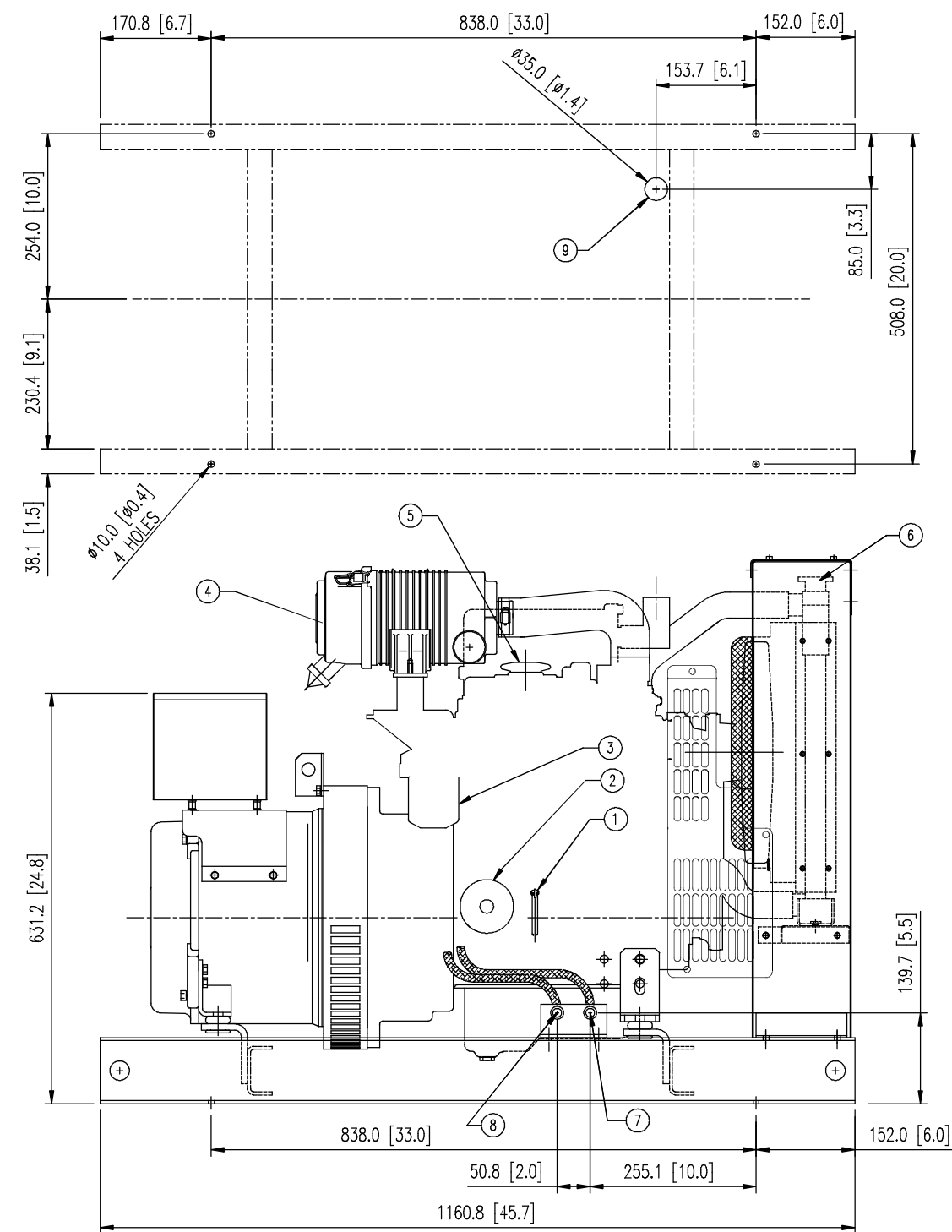


MODELS	APPROX WT. kg [lbs]
NL843NW4 1800RPM 60HZ 12KW 1 $\phi$	303 [668]

ITEM	DESCRIPTION	ITEM	DESCRIPTION
1	OIL DIPSTICK	8	FUEL RETURN 1/4" NPT
2	OIL FILTER	9	EXHAUST OUTLET 35mm OD [ $\phi$ 1.4"
3	FUEL FILTER		
4	AIR FILTER		
5	OIL FILL		
6	COOLANT FILL		
7	FUEL INLET 1/4" NPT		



THE DIMENSIONS ON THIS DRAWING ARE SUBJECT TO CHANGE. PLEASE CONTACT NORTHERN-LIGHTS TO BE SURE YOU HAVE THE MOST CURRENT REVISION.

WEBSITE DRAWING

NO.	DATE	DESCRIPTION	BY	CHKD
REVISIONS				

**NORTHERN LIGHTS**

4430 14th Avenue N.W.  
Seattle, WA 98107  
(206) 769-3000  
www.northern-lights.com

CAD	MG	04/12/13	TITLE	INSTALLATION DIMENSIONS NL843NW4
REVISE ON C-AD ONLY	CHECKED:	LTP	04/15/13	
THIRD ANGLE PROJECTION	SCALE:	1:5	RELEASED:	SEE TABLE
SHEETS: 1 OF 1	UNITS OF MEASURE:	M/M	P/N:	

REV: D-4654