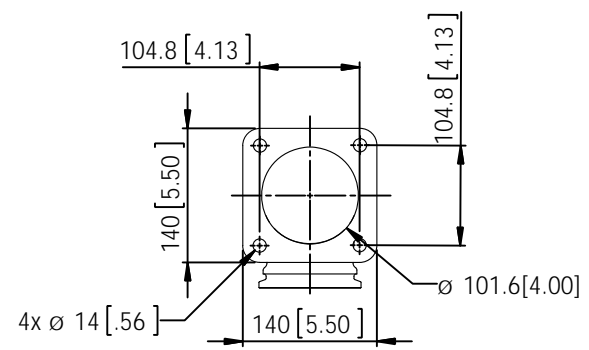
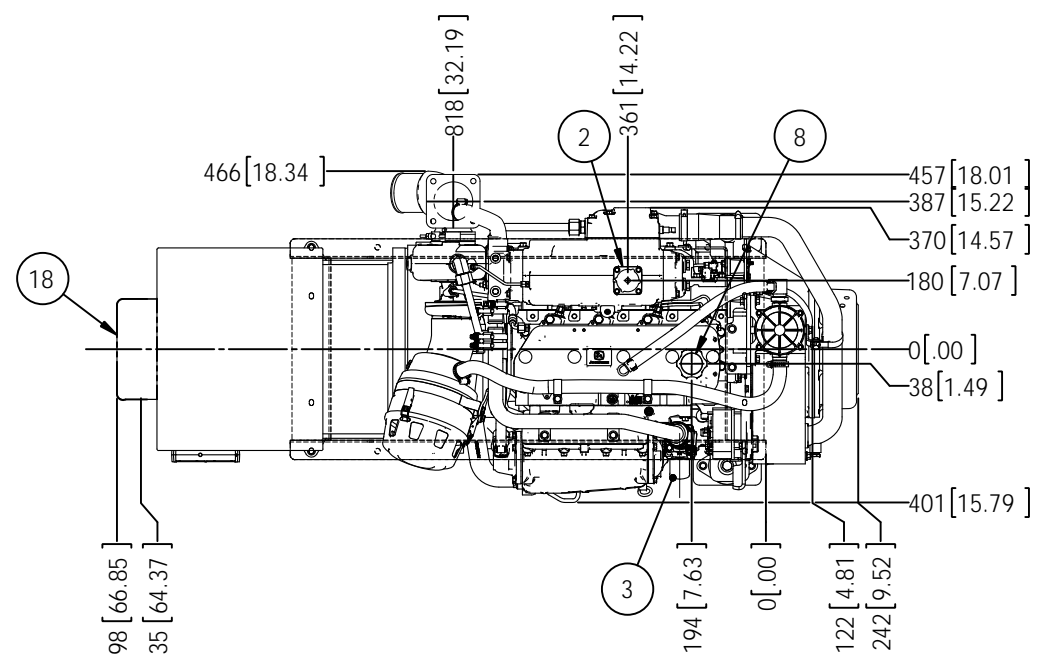
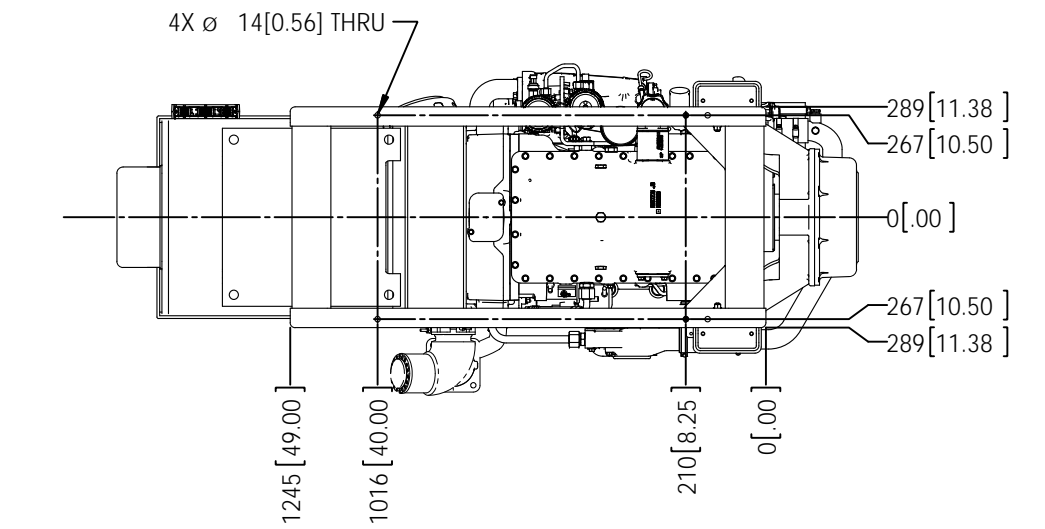
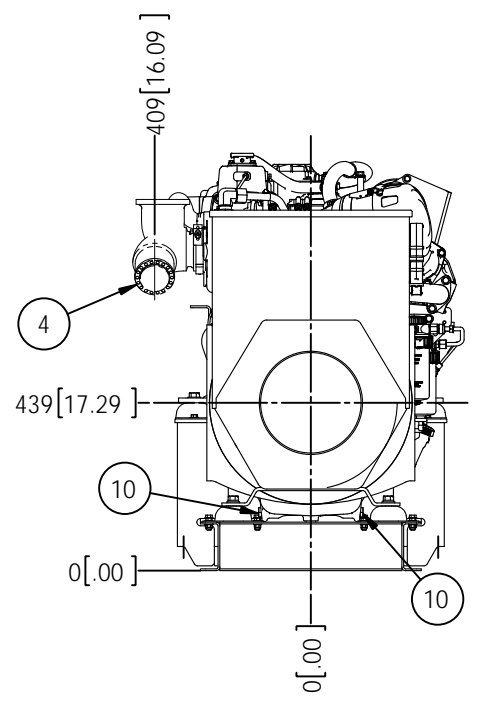
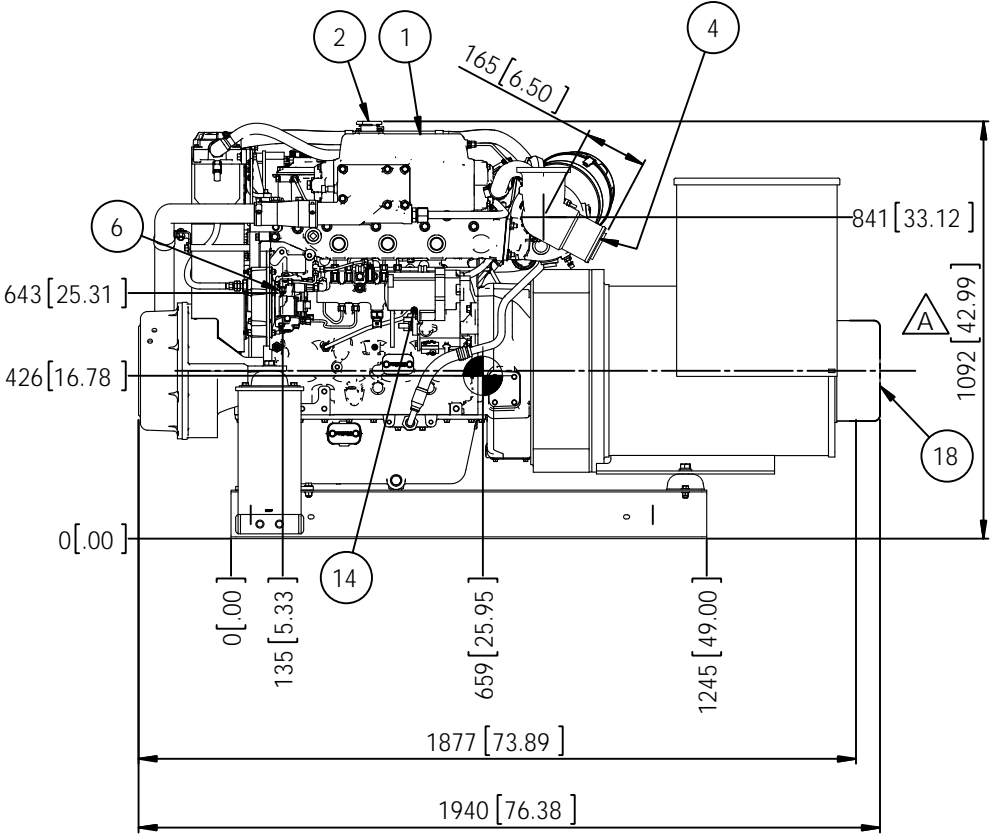
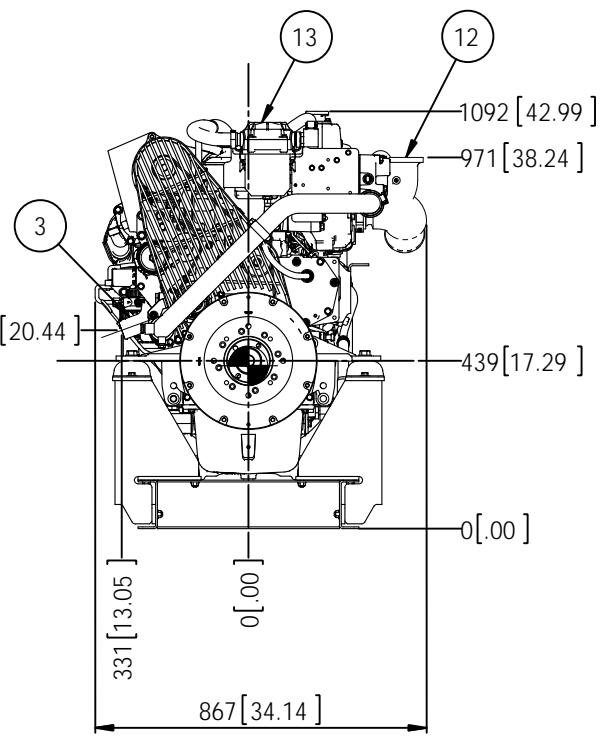
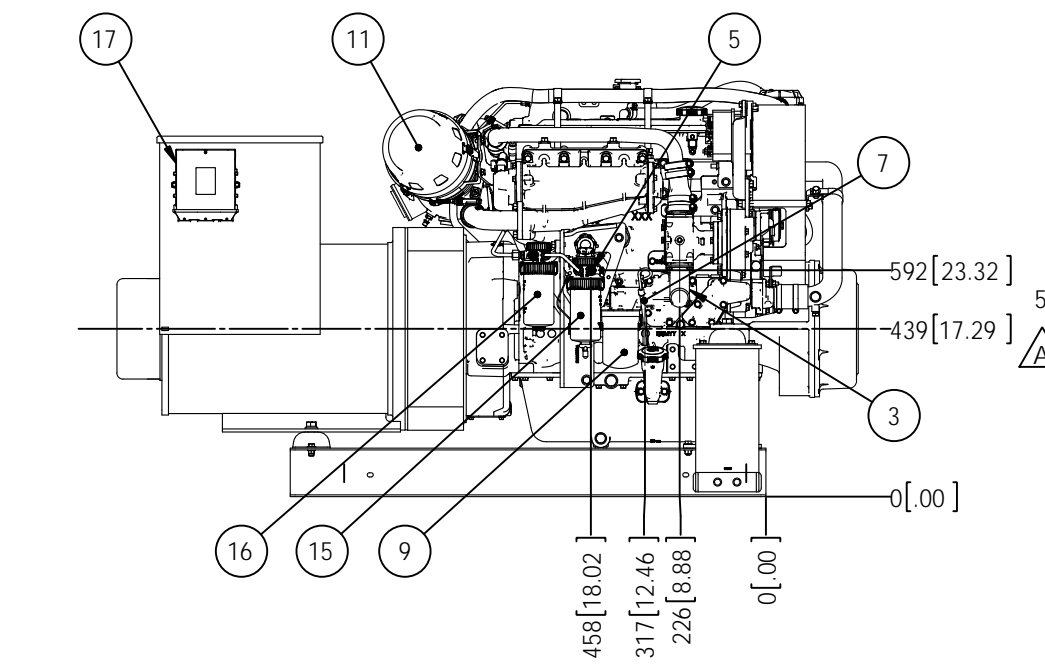


MODELS	APPROX. WT. lbs [kg]
M99C13.1S 99kW 1800 RPM 60Hz 3 ϕ	2780 [1261]



OPTIONAL DRY EXHAUST ELBOW FLANGE DETAIL

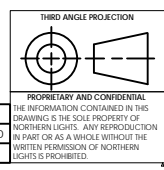


NOTE:
1. FOR M99C13 W/O OPTIONAL PTO, SEE DRAWING D-4776.

THE DIMENSIONS ON THIS DRAWING ARE SUBJECT TO CHANGE. PLEASE CONTACT NLI TO BE SURE YOU HAVE THE MOST CURRENT REVISION.

ITEM	DESCRIPTION
1	EXPANSION TANK
2	COOLANT FILL
3	SEAWATER INLET - ϕ 2.0 H.B.
4	OPTIONAL WET EXHAUST ELBOW - ϕ 4.0 H.B.
5	FUEL SUPPLY - ϕ 3/8 H.B.
6	FUEL RETURN - ϕ 1/4 H.B.
7	CRANKCASE OIL DIPSTICK
8	CRANKCASE OIL FILLER
9	CRANKCASE OIL FILTER
10	ENGINE OIL DRAIN - M18x1.5
11	AIR INLET FILTER
12	OPTIONAL DRY EXHAUST ELBOW - SEE DETAIL
13	CLOSED CRANKCASE VENTILATION SYSTEM
14	ELECTRIC STARTER
15	PRIMARY FUEL FILTER
16	FINAL FUEL FILTER
17	ENGINE CONTROL UNIT
18	OPTIONAL PMG

REV.	DESCRIPTION	DATE	BY	CHECKED
A	UPDATED TO SHOW NEW BASE FRAME. ECN 3768.	2/11/2016	MG	TAH
	REVISIONS			



UNLESS OTHERWISE SPECIFIED, DIMENSIONS ARE IN MILLIMETERS		NAME	DATE
TOLERANCES:		MG	08/06/13
ANGULAR: MACH: 0.5° BEND ± 1.0°		CHECKED	TAH
X: ± 3		ENG APPR.	
Z: ± 2		MFG APPR.	
INTERPRET GEOMETRIC TOLERANCING PER: ASME Y14.5M		Q.A.	
MATERIAL:		COMMENTS:	
FINISH:			
DO NOT SCALE			

NORTHERN LIGHTS
4420 14th AVE. N.W.
Seattle, WA 98107
(206) 789-3880
www.northern-lights.com

TITLE: **INSTALLATION DIMENSIONS M99C13.1S H.E. WITH OPTIONAL PTO**

SIZE: **D** PART NO.: **D-4777** DWG. NO.: **D-4777** REV: **A**

SCALE: 1:10 WEIGHT: SHEET 1 OF 1