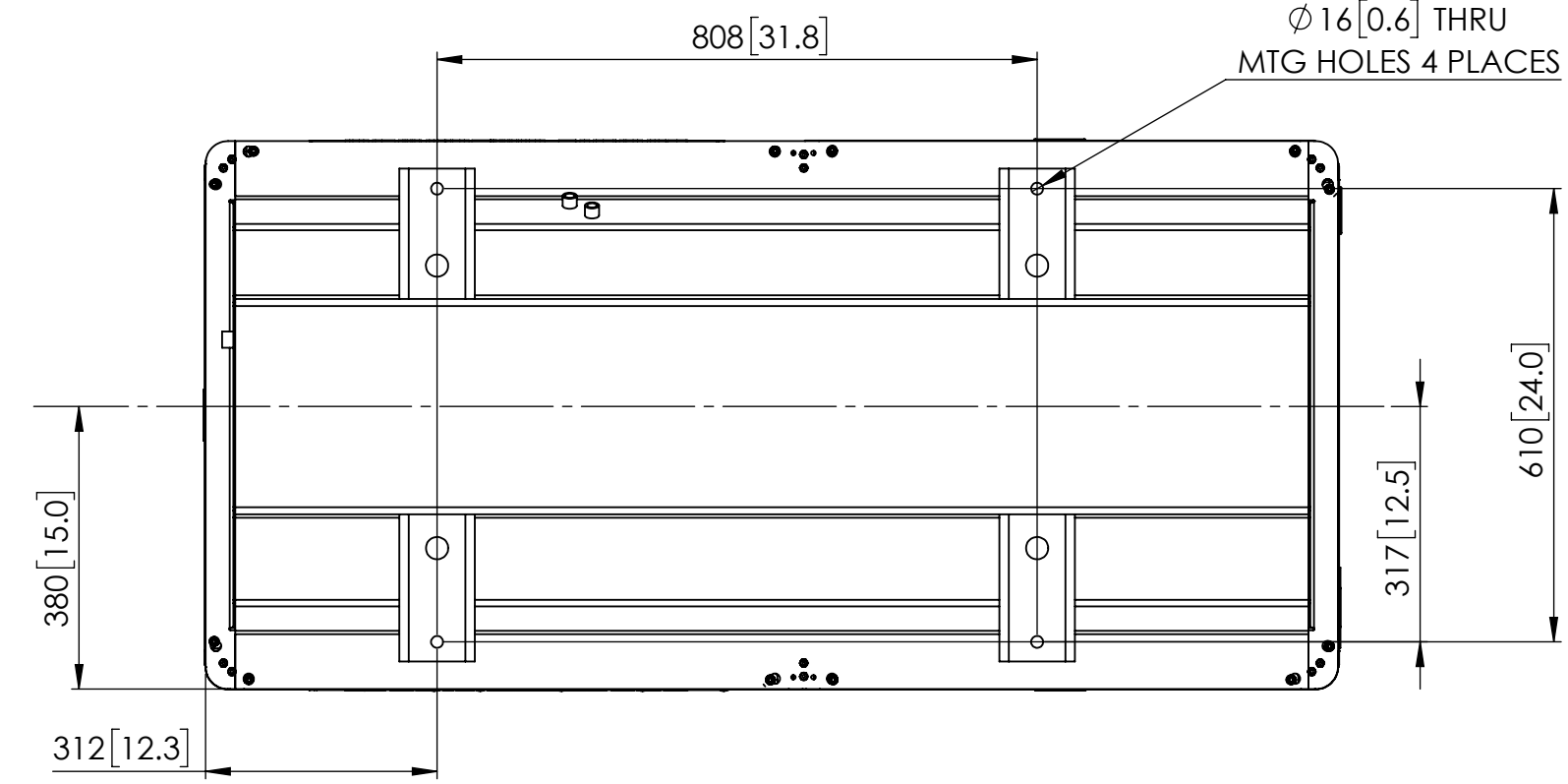
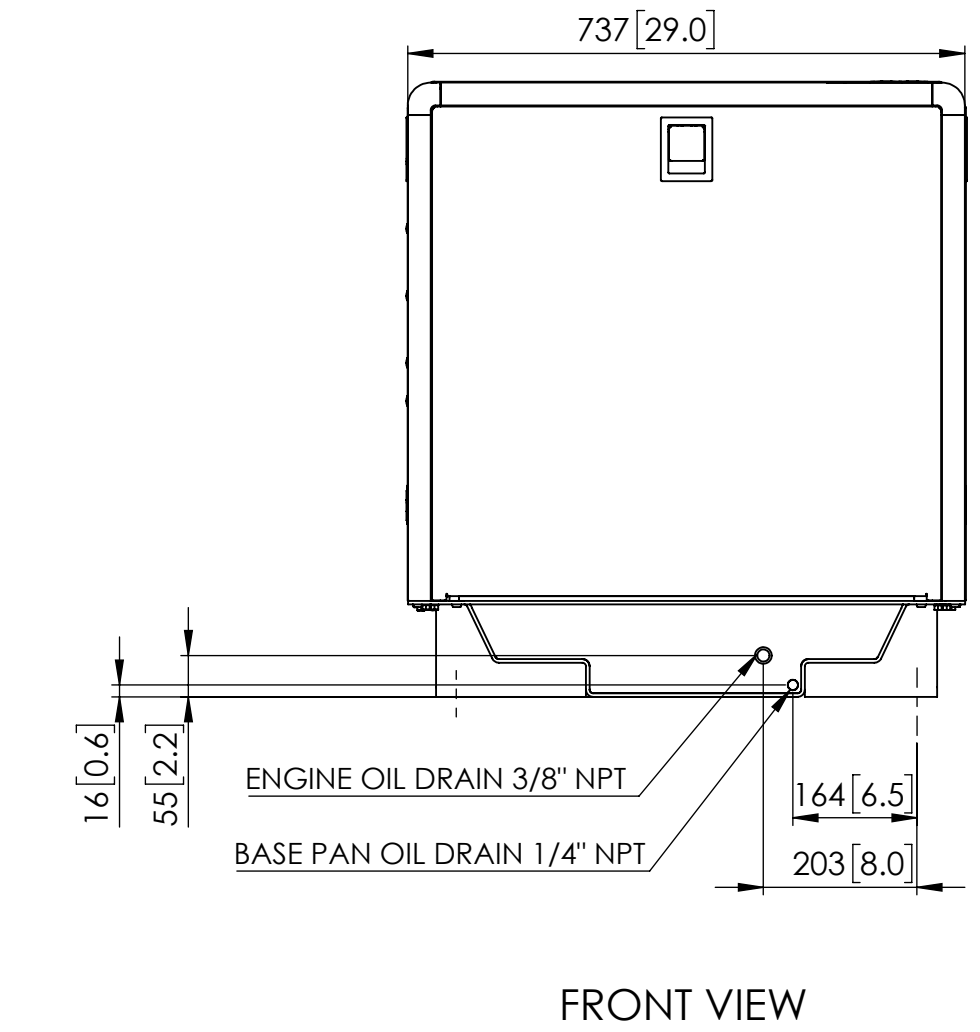
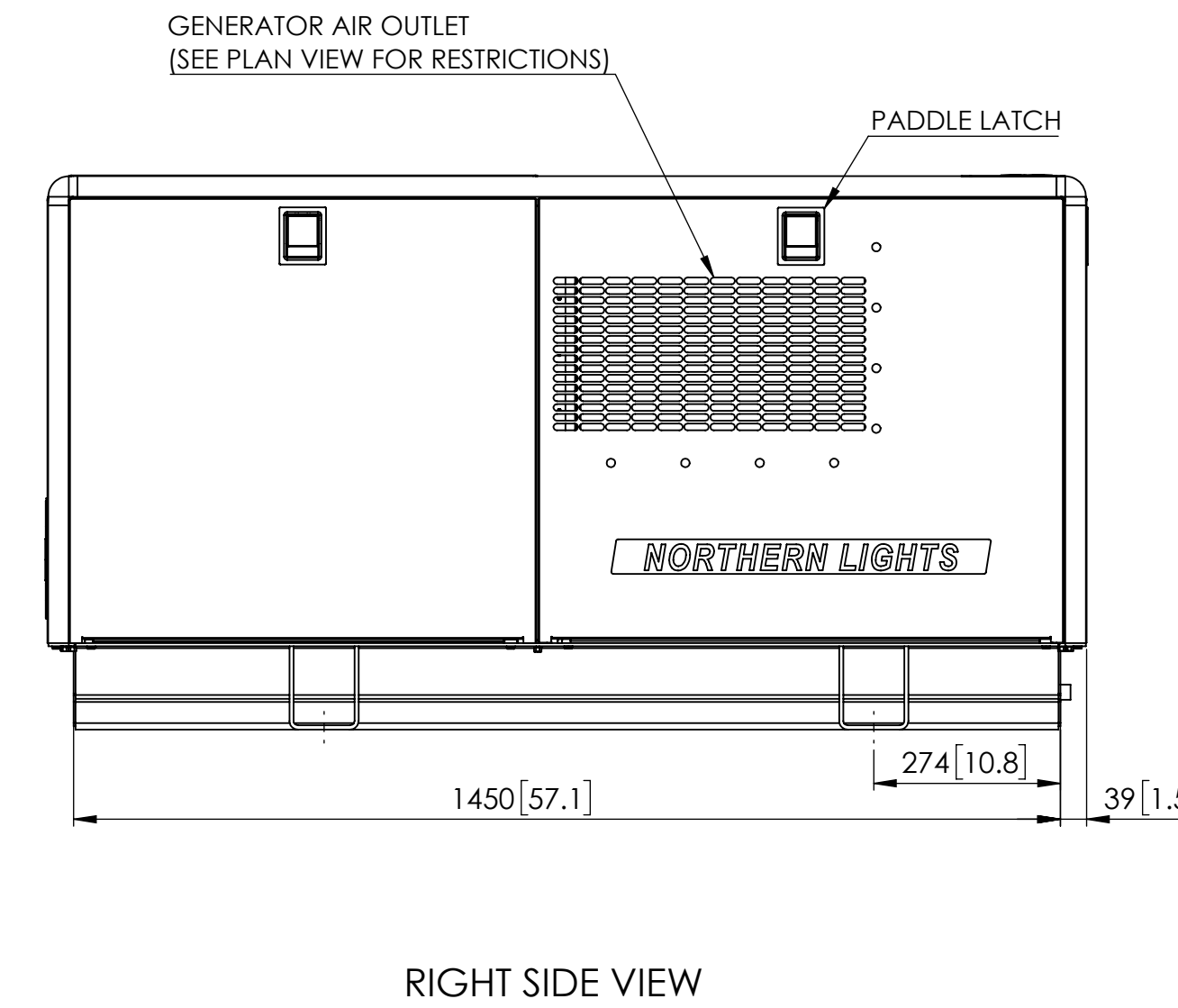
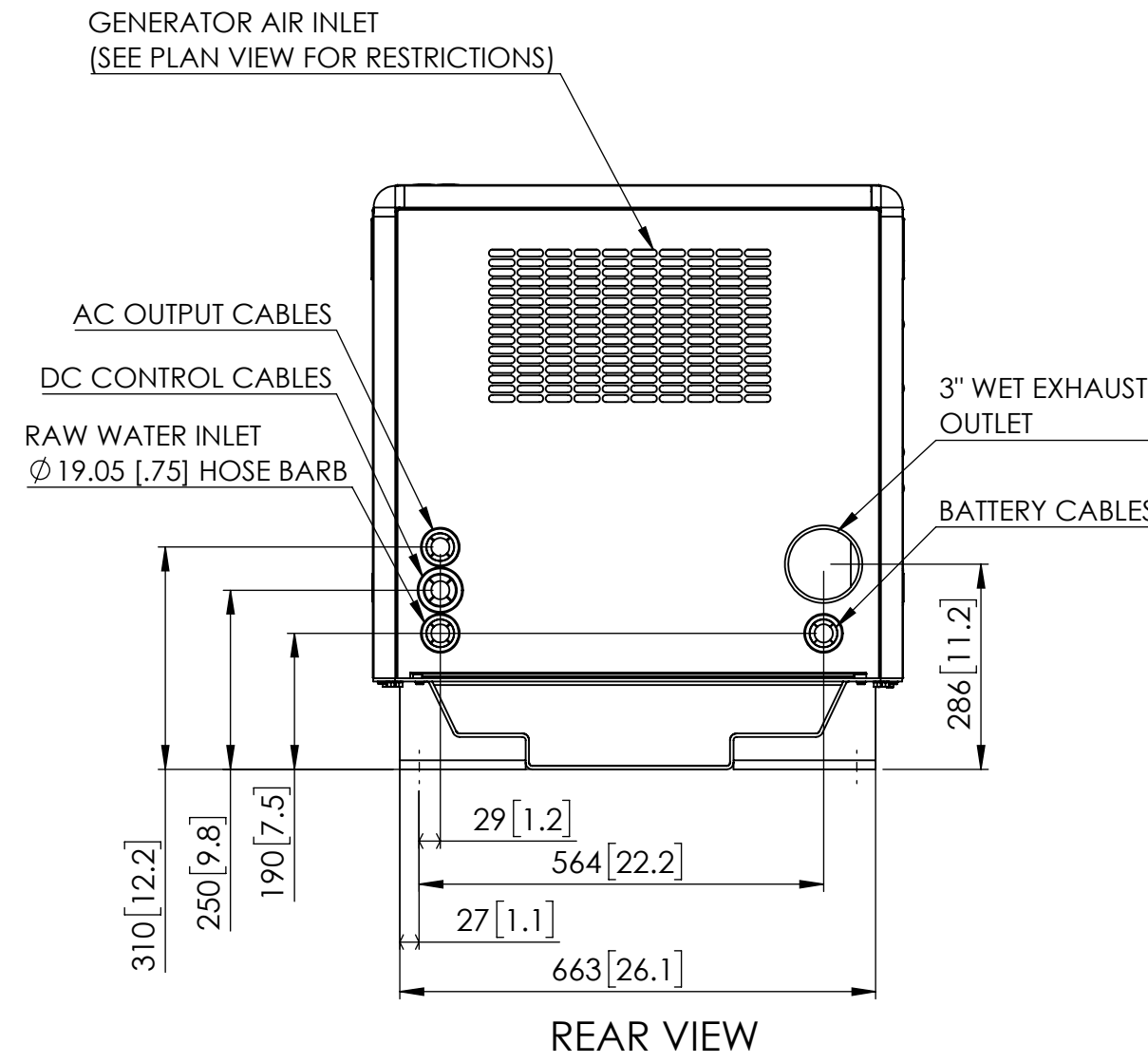
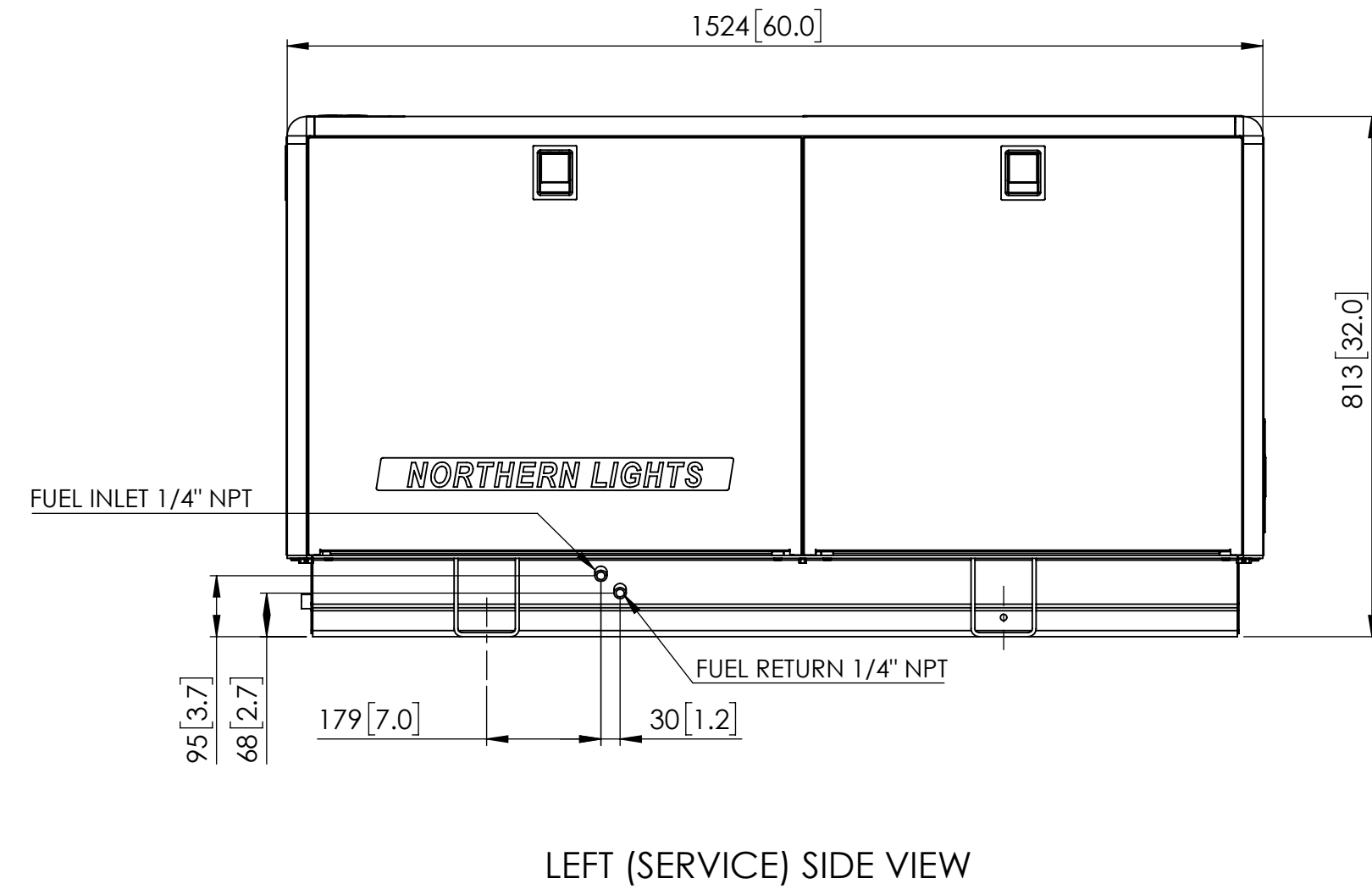
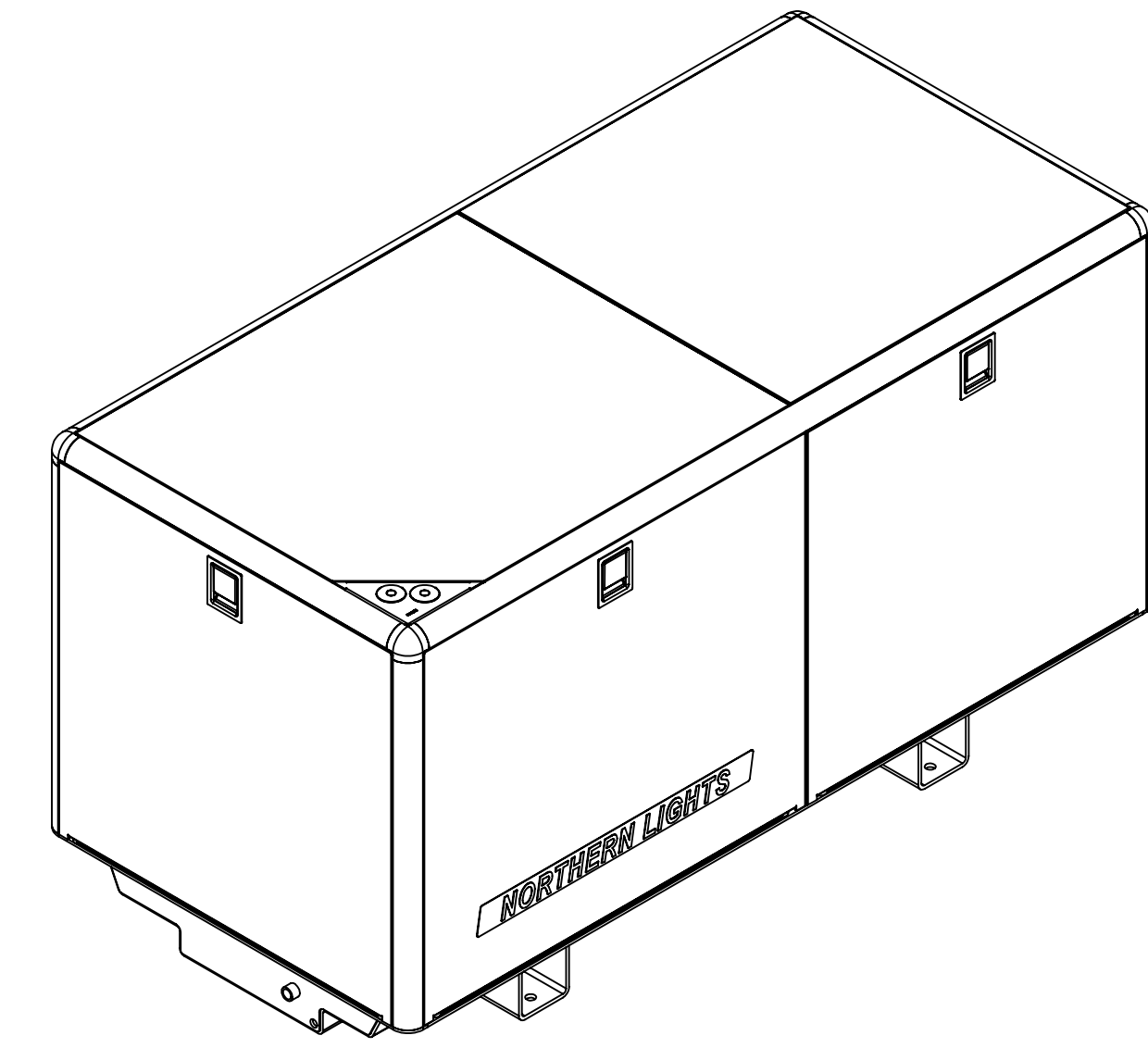
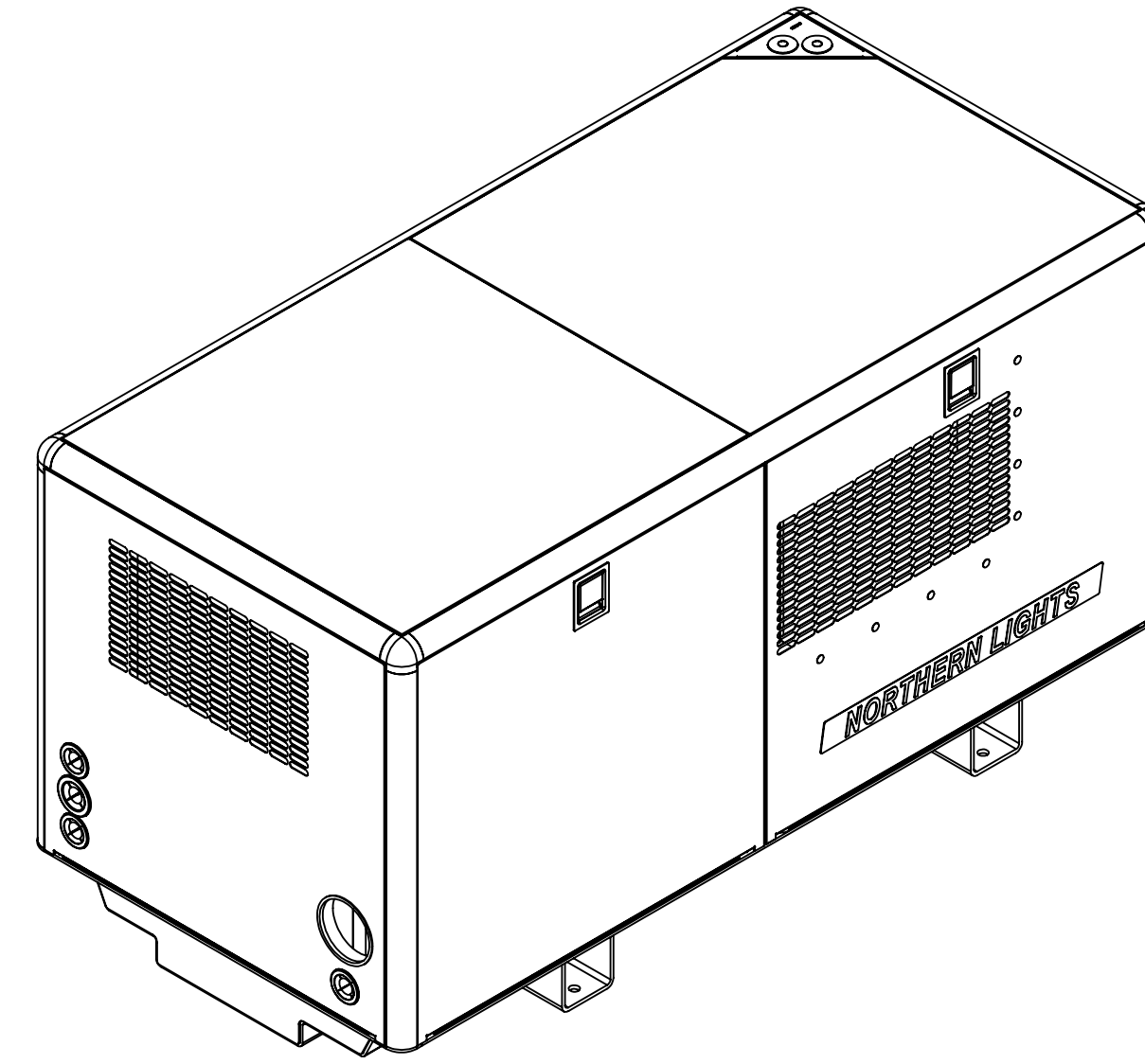
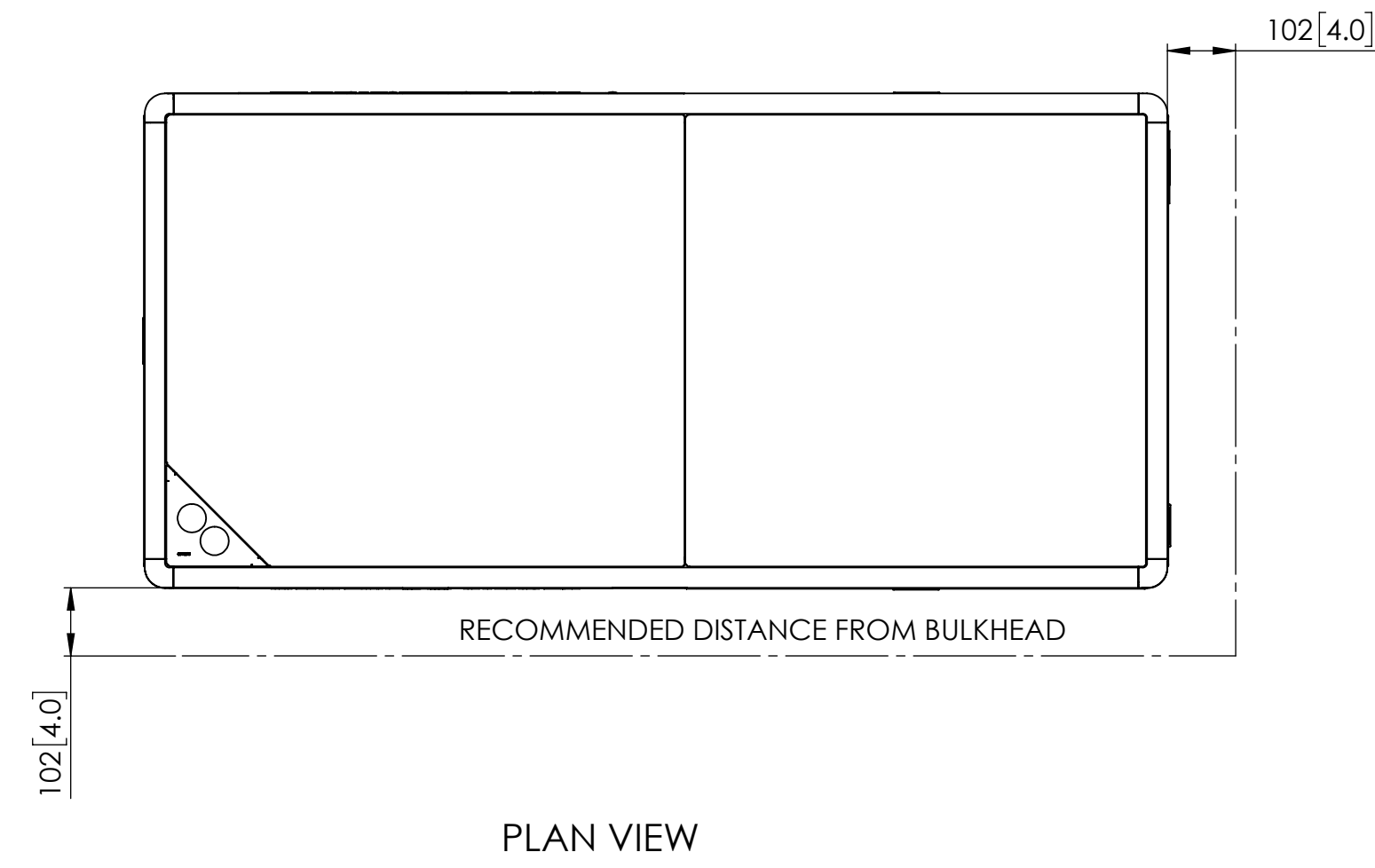


THE DIMENSIONS ON THIS DRAWING ARE SUBJECT TO CHANGE. PLEASE CONTACT NORTHERN LIGHTS INC., TO BE SURE YOU HAVE THE MOST CURRENT REVISION.

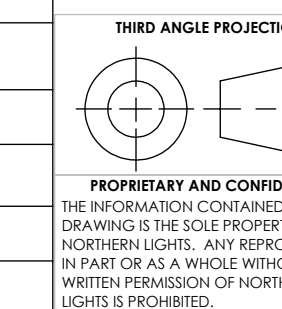


NOTE: ALL VIEWS AND DIMENSIONS APPLICABLE TO M944T AND M944T3 GENERATOR UNLESS OTHERWISE SPECIFIED

NOTE: 05-71250/05-71255 DEPICTED. DRAWING APPLICABLE TO ALL LISTED P/N'S.

WEIGHT: 1446 LBS [656 KG]

| P/N | APPLICATION |
|----------|---|
| 05-71235 | NLI WHITE T009-WH12 (STANDARD INSULATION) (STANDARD W/ FAN) |
| 05-71240 | TRAFFIC WHITE RAL 9016 (CLASSED INSULATION) (STANDARD W/ FAN) |
| 05-71245 | TRAFFIC WHITE RAL 9016 (STANDARD INSULATION) (STANDARD W/ FAN) |
| 05-71250 | TRAFFIC WHITE RAL 9016 (STANDARD INSULATION) (STANDARD W/O FAN) |
| 05-71255 | TRAFFIC WHITE RAL 9016 (CLASSED INSULATION) (STANDARD W/O FAN) |

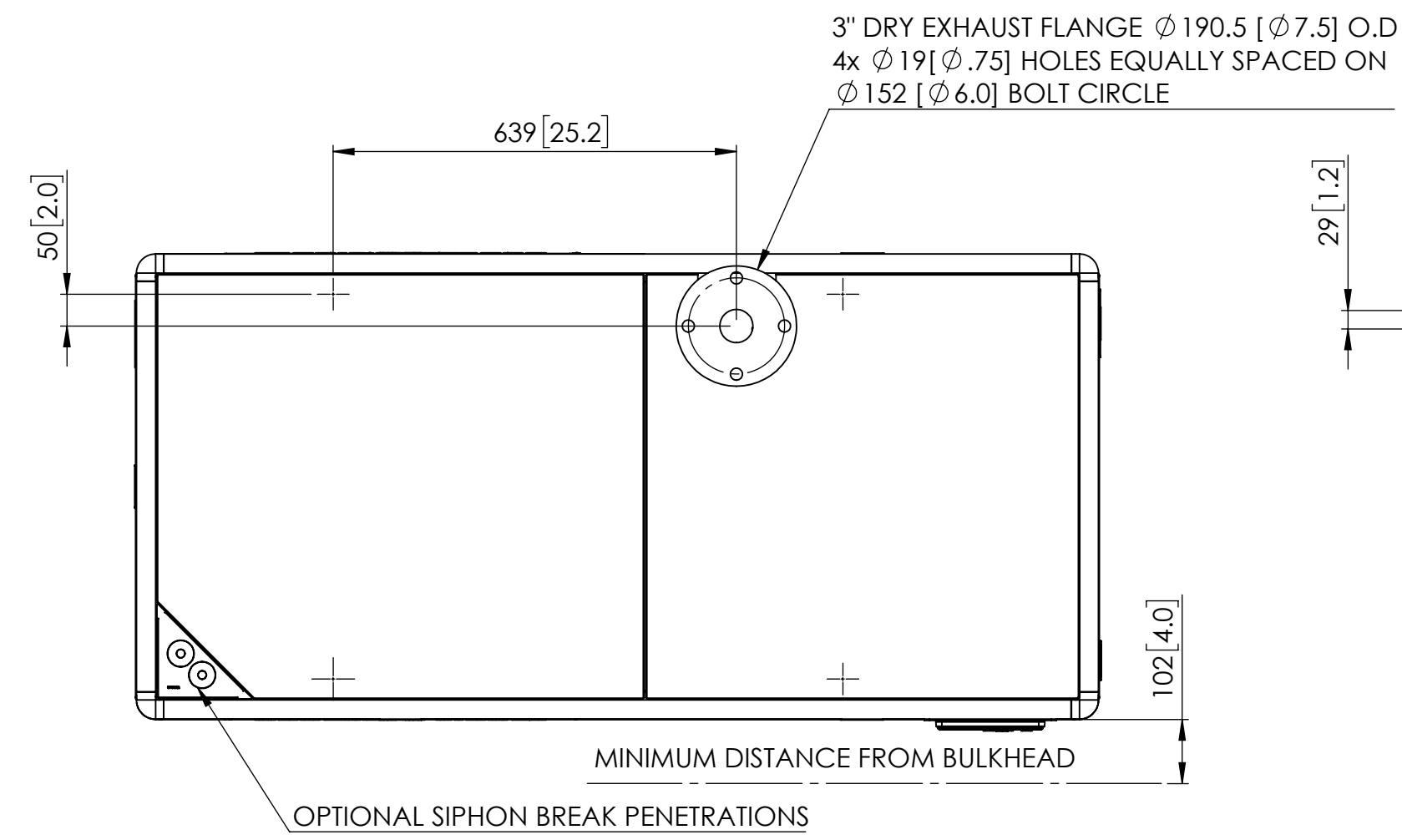


| REV. | DESCRIPTION | DATE | BY | CHECKED |
|------|---|-----------|-----|---------------|
| A | SEPARATED STANDARD SOUND ENCLOSURE AND OPTIONS TO SEPARATE SHEETS, ALSO ADDED DISPLAY OF SEVERAL OPTIONS AND APPLICATION TABLE, FILED UNDER ECN #4431 | 11/2/2016 | AZB | LTP 11/2/2016 |

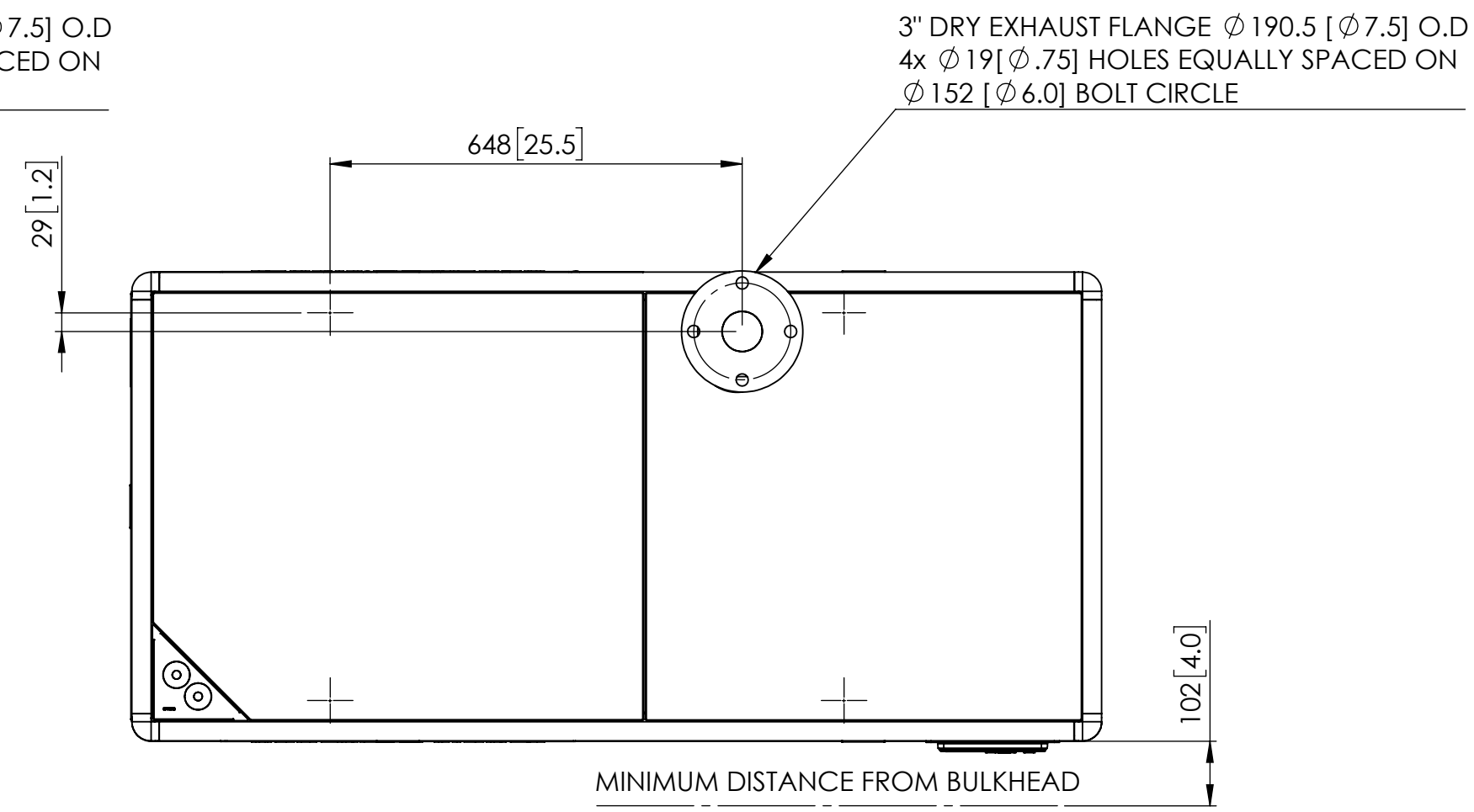
| UNLESS OTHERWISE SPECIFIED: | NAME | DATE |
|---|-----------|-------------|
| DIMENSIONS ARE IN MILLIMETERS | DRAWN | AZB 11/2/16 |
| TOLERANCES: | CHECKED | LTP 11/2/16 |
| ANGULAR: MACH ± 0.5° BEND ± 1.0° | ENG APPR. | |
| X ± 1.0 | MEG APPR. | |
| | G.A. | |
| INTERPRET GEOMETRIC TOLERANCING PER ASME Y14.5M | COMMENTS: | |
| MATERIAL: | | |
| FINISH: | | |
| DO NOT SCALE | | |

| | | | |
|--|---------------|---|--------------|
| | | 4420 14th AVE. N.W. Seattle, WA 98107 (206) 789-3880 www.northern-lights.com | |
| TITLE: INSTALLATION DIMENSIONS M944T3/M944T SOUND SHIELD | | | |
| SIZE | PART NO. | DWG. NO. | REV |
| D | SEE P/N TABLE | D-4788 | A |
| SCALE: 1:20 | WEIGHT: | | SHEET 1 OF 3 |

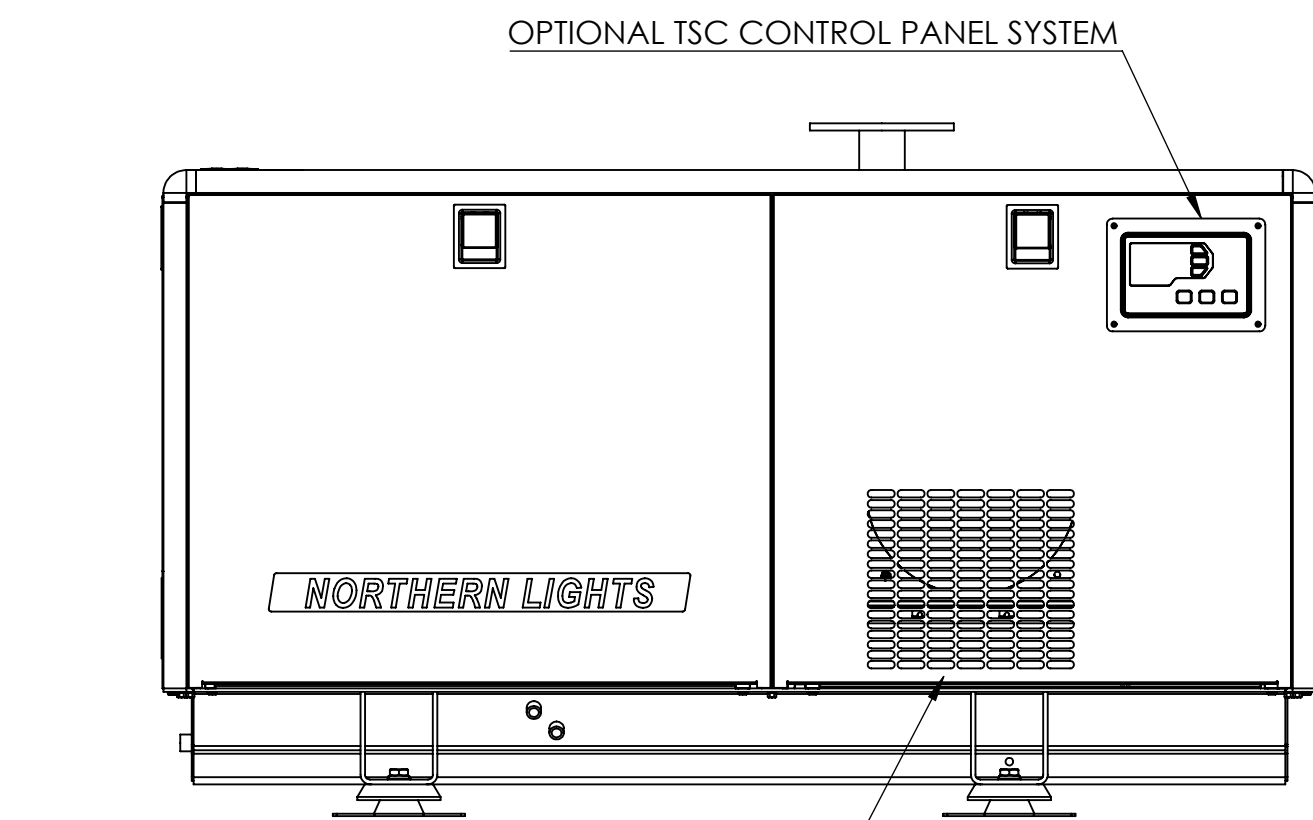
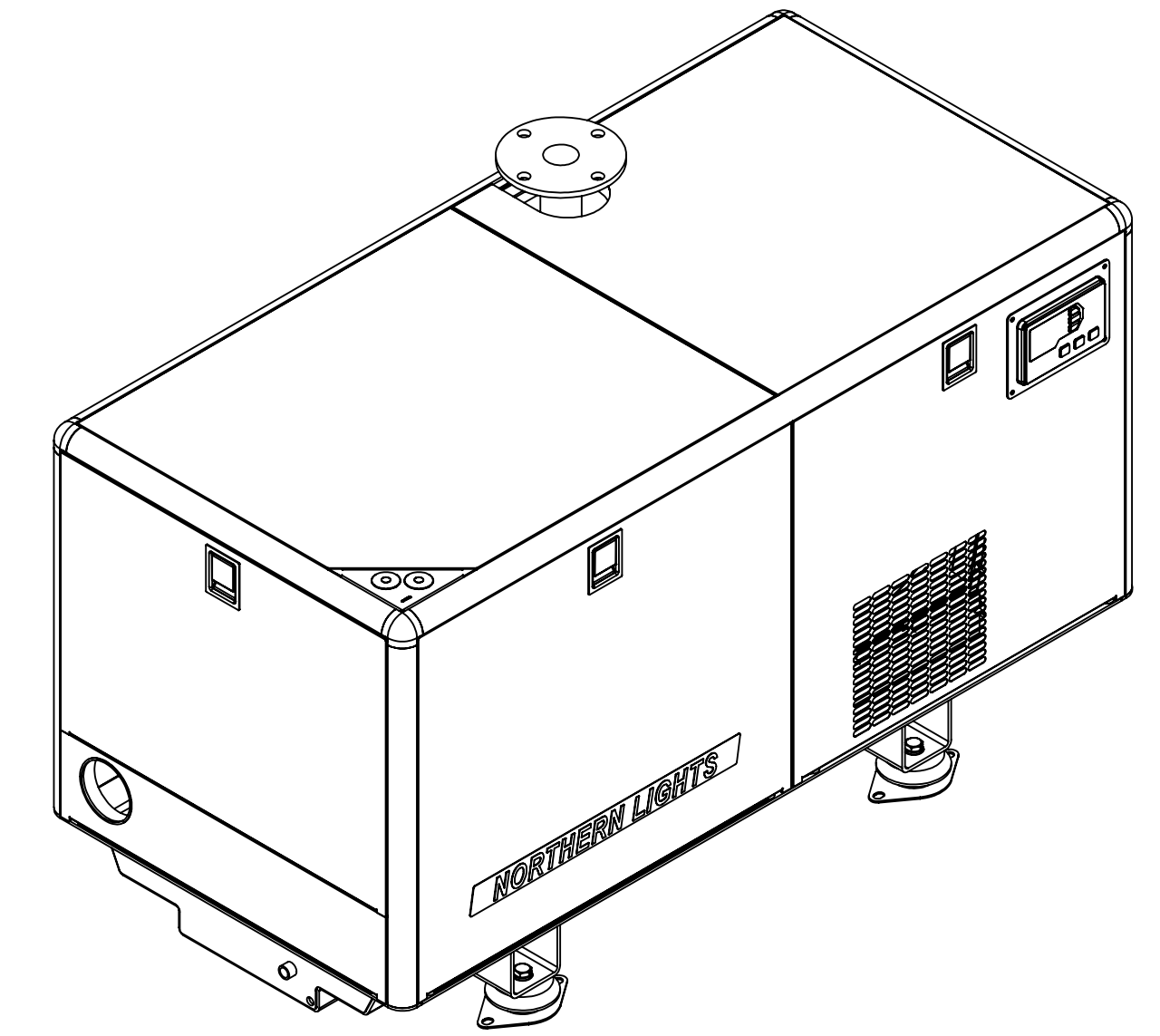
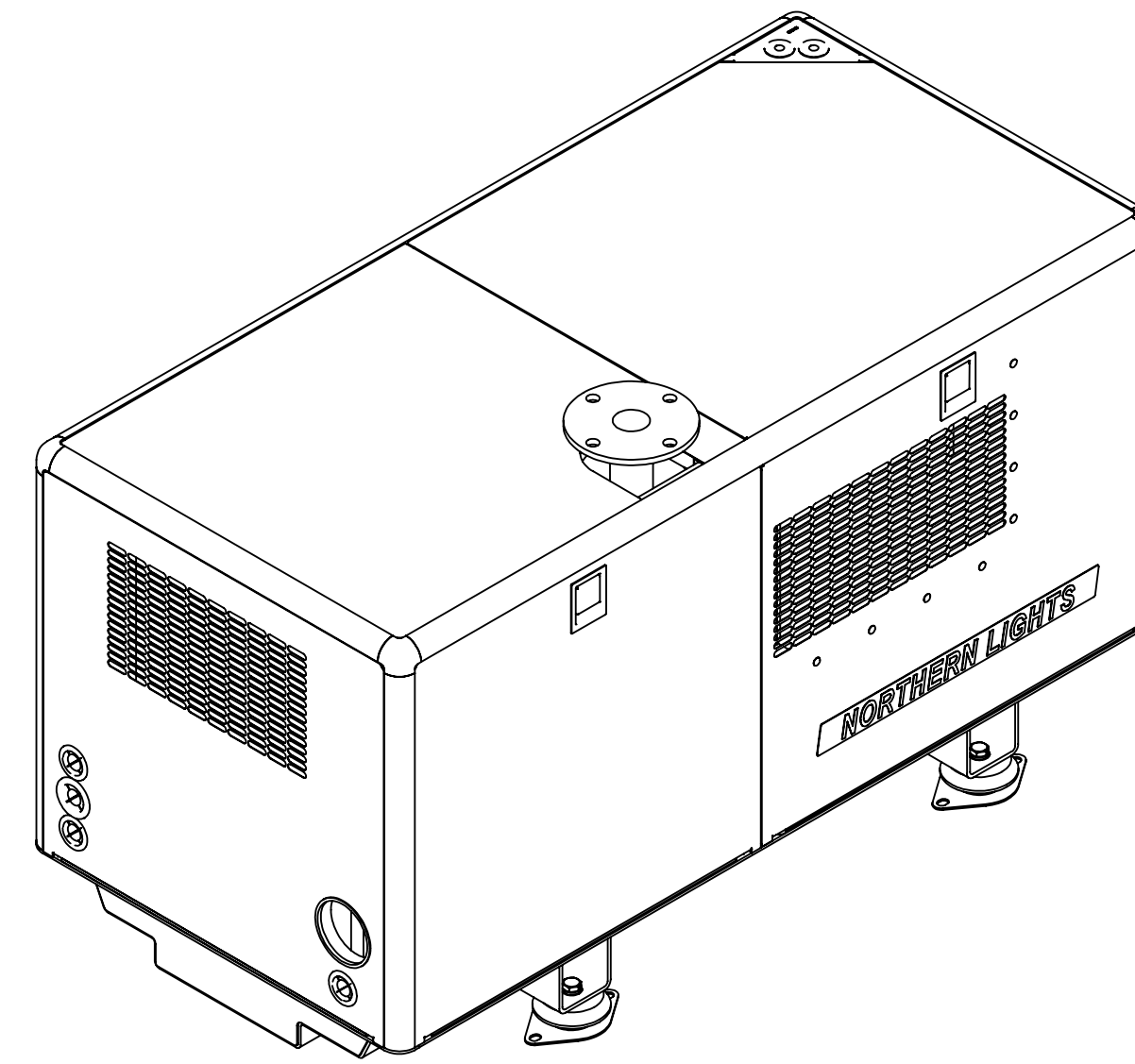
THE DIMENSIONS ON THIS DRAWING ARE SUBJECT TO CHANGE. PLEASE CONTACT NORTHERN LIGHTS INC., TO BE SURE YOU HAVE THE MOST CURRENT REVISION.



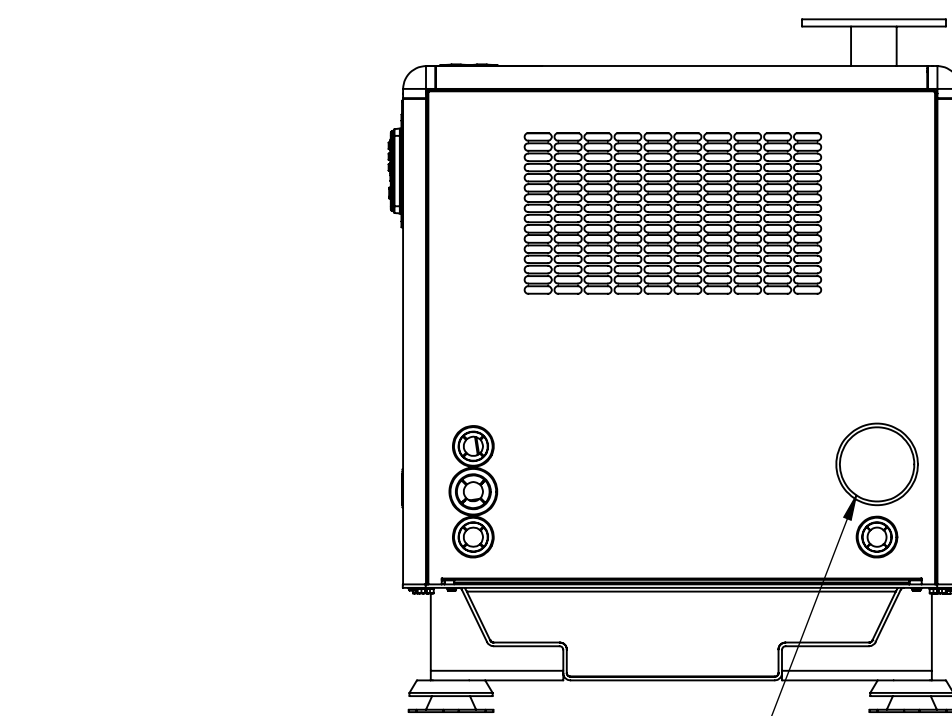
PLAN VIEW
(M944T3 DRY EXHAUST OPTION DIMENSIONS)



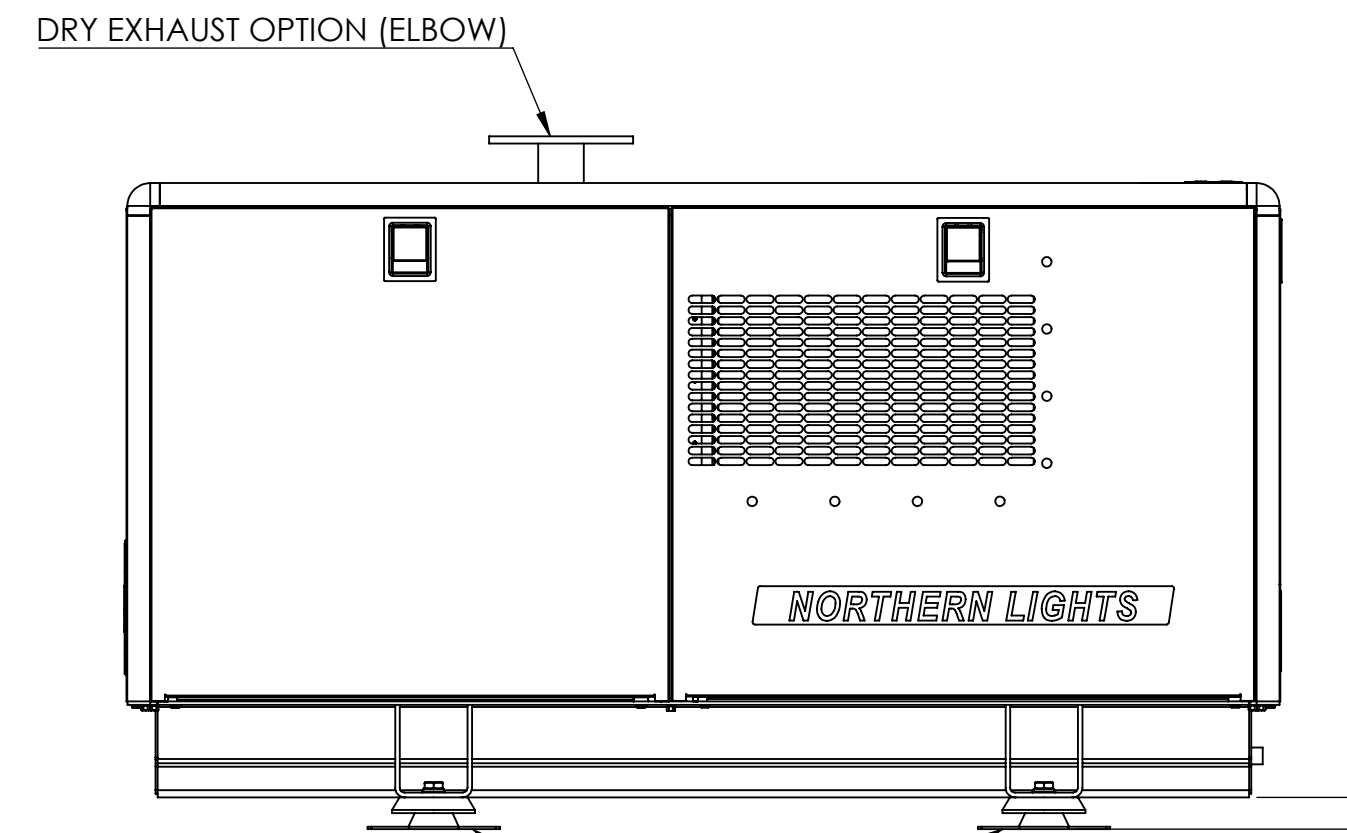
PLAN VIEW
(M944T DRY EXHAUST OPTION DIMENSIONS)



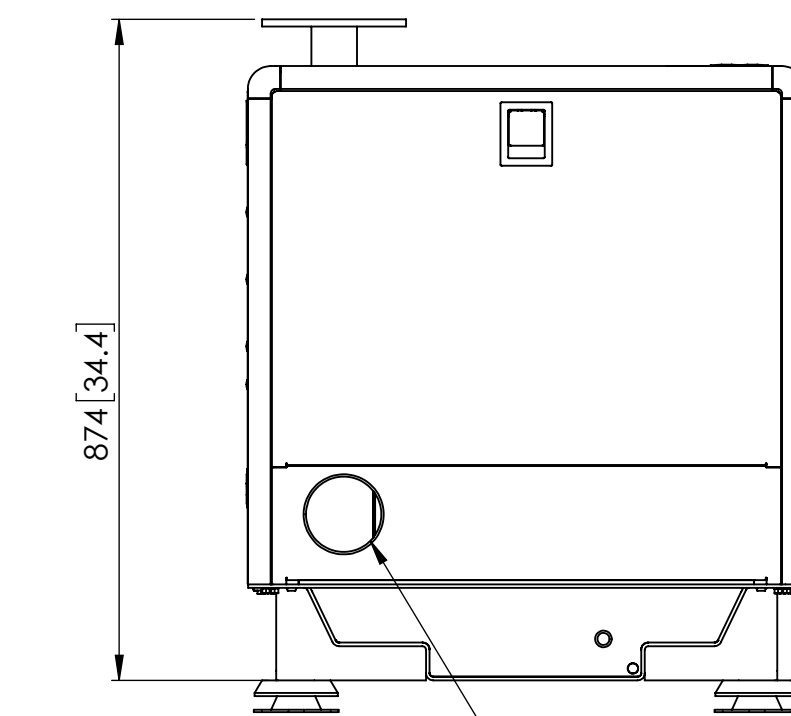
LEFT (SERVICE) SIDE VIEW



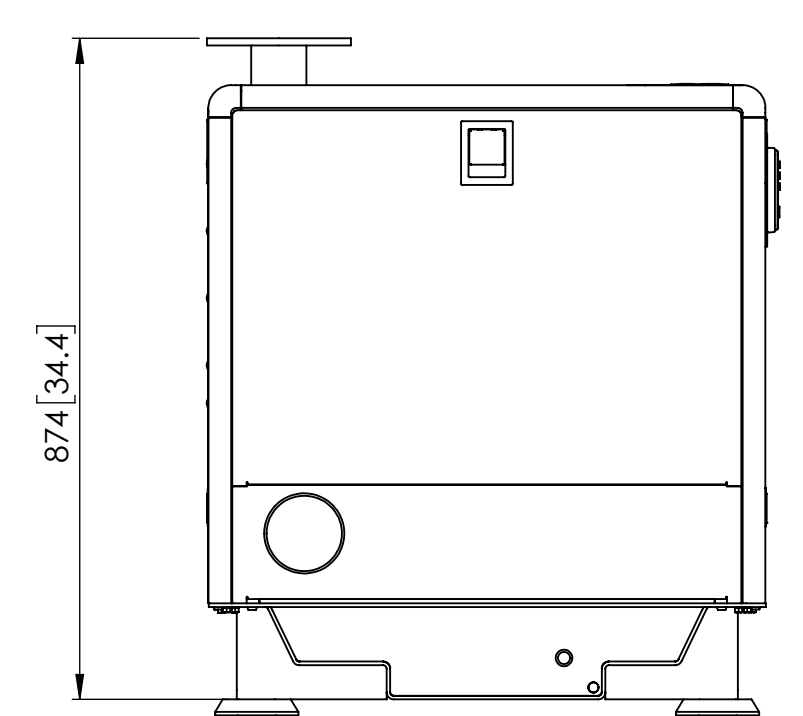
REAR VIEW



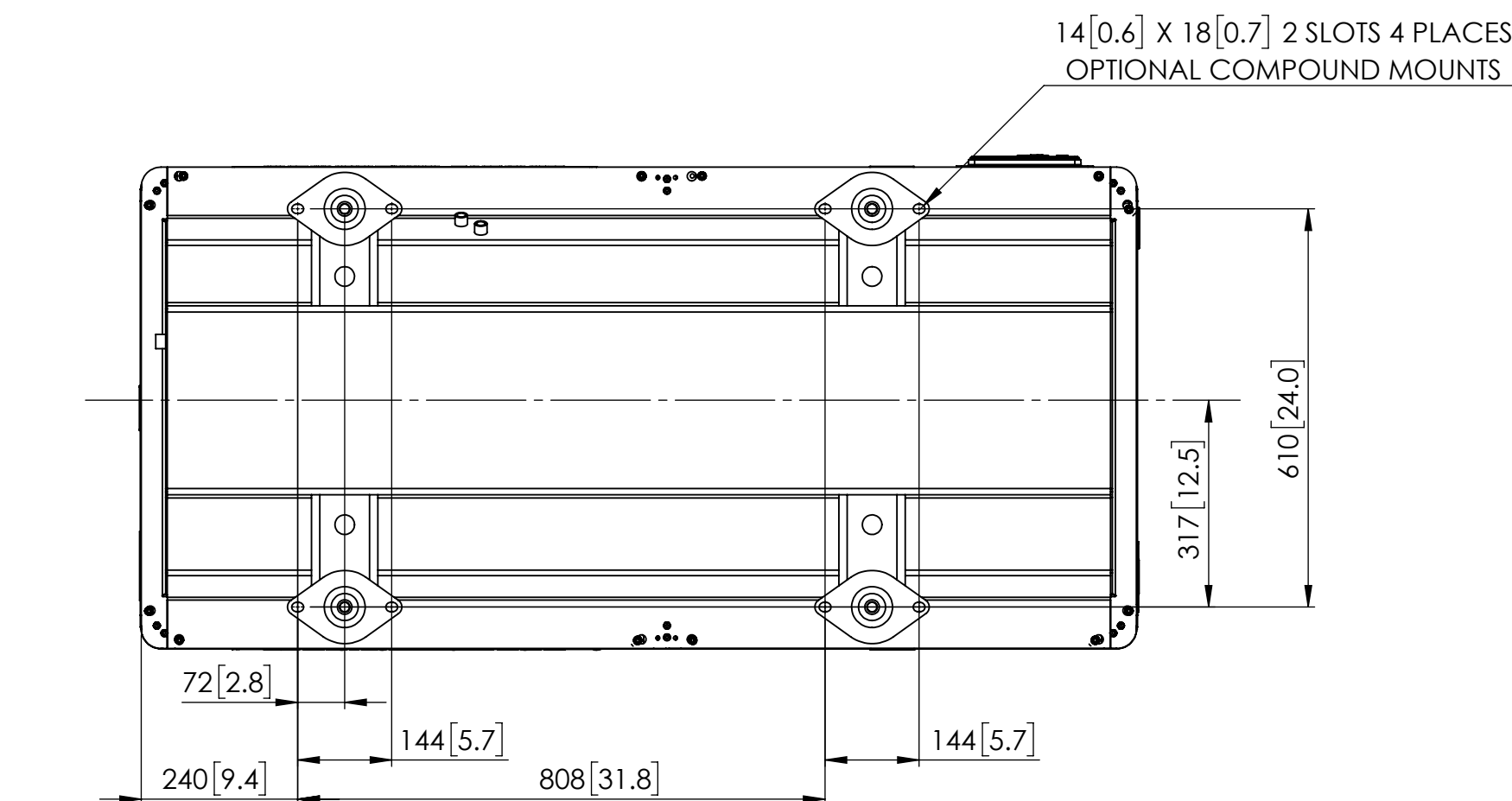
RIGHT SIDE VIEW



FRONT VIEW
(M944T3 DRY EXHAUST OPTION DIMENSIONS)



FRONT VIEW
(M944T DRY EXHAUST OPTION DIMENSIONS)



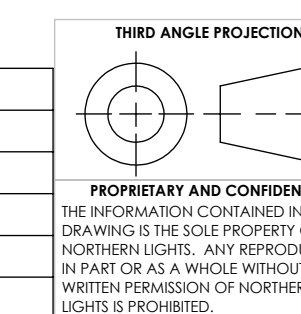
BOTTOM VIEW

WEIGHT: 1446 LBS [656 KG]

NOTE: ALL VIEWS AND DIMENSIONS APPLICABLE TO M944T AND M944T3 GENERATOR UNLESS OTHERWISE SPECIFIED

NOTE: 05-71250/05-71255 DEPICTED. DRAWING APPLICABLE TO ALL LISTED P/N'S.

| P/N | APPLICATION |
|----------|---|
| 05-71235 | NLI WHITE T009-WH12 (STANDARD INSULATION) (STANDARD W/ FAN) |
| 05-71240 | TRAFFIC WHITE RAL 9016 (CLASSIFIED INSULATION) (STANDARD W/ FAN) |
| 05-71245 | TRAFFIC WHITE RAL 9016 (STANDARD INSULATION) (STANDARD W/ FAN) |
| 05-71250 | TRAFFIC WHITE RAL 9016 (STANDARD INSULATION) (STANDARD W/O FAN) |
| 05-71255 | TRAFFIC WHITE RAL 9016 (CLASSIFIED INSULATION) (STANDARD W/O FAN) |



| REV. | DESCRIPTION | DATE | BY | CHECKED |
|------|---|-----------|-----|---------------|
| A | SEPARATED STANDARD SOUND ENCLOSURE AND OPTIONS TO SEPARATE SHEETS. ALSO ADDED DISPLAY OF SEVERAL OPTIONS AND APPLICATION TABLE. FILED UNDER ECN #4431 | 11/2/2016 | AZB | LTP 11/2/2016 |

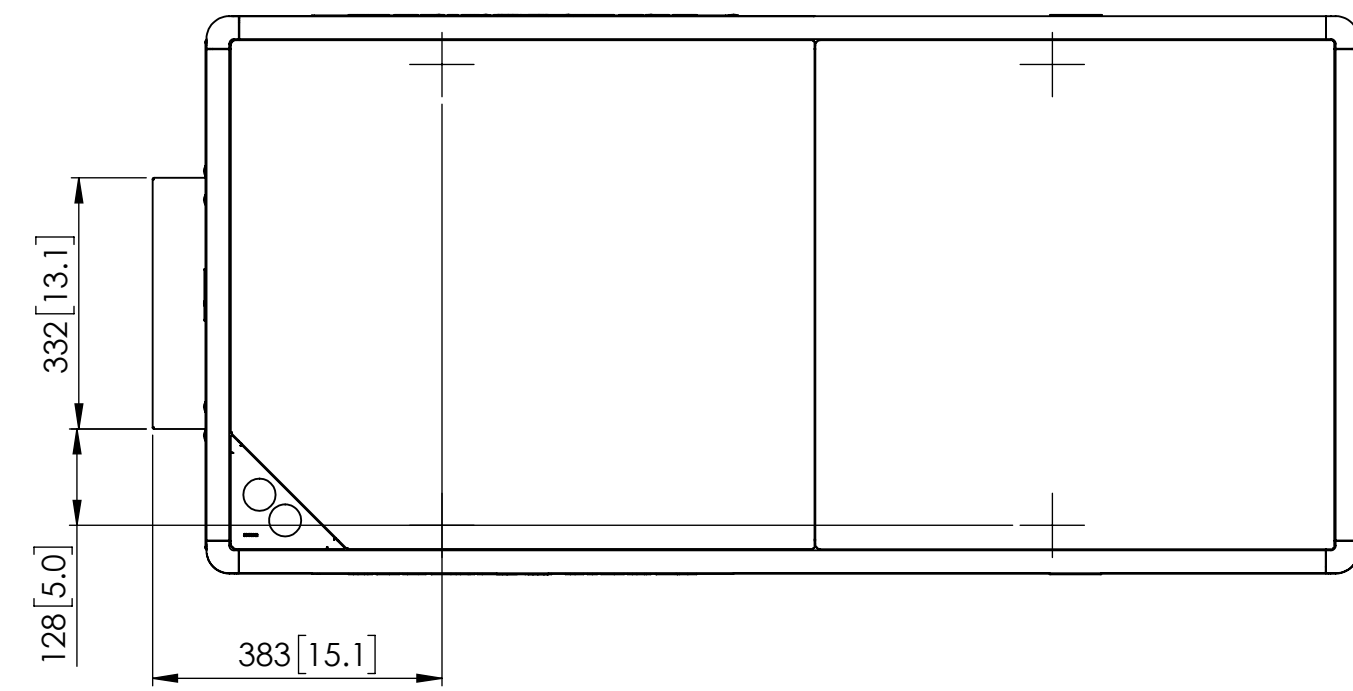
| UNLESS OTHERWISE SPECIFIED: | NAME | DATE |
|-------------------------------|------|---------|
| DIMENSIONS ARE IN MILLIMETERS | AZB | 11/2/16 |
| TOLERANCES: | LTP | 11/2/16 |
| ANGULAR: ±0.5° | | |
| RADIUS: ±0.5° BEND ± 1.0° | | |
| X: ± 1.0 | | |

| INTERPRET GEOMETRIC TOLERANCING PER ASME Y14.5M | NAME | DATE |
|---|------|------|
| FINISH | | |
| MATERIAL | | |
| COMMENTS: | | |

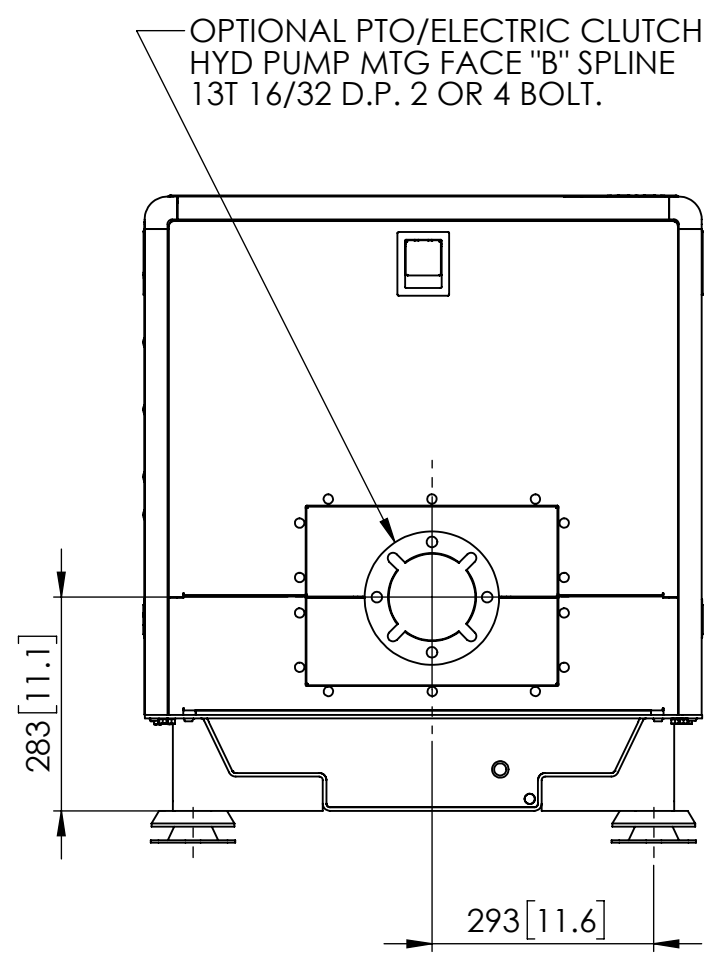
| | | | |
|---|---------------|---|-----|
| | | 4420 14th AVE. N.W. Seattle, WA 98107 (206) 789-3880 www.northern-lights.com | |
| TITLE: INSTALLATION DIMENSIONS | | | |
| M944T3/M944T SOUND SHIELD, OPTIONAL EQUIPMENT | | | |
| SIZE | PART NO. | DWG. NO. | REV |
| D | SEE P/N TABLE | D-4788 | A |
| SCALE: 1:20 | WEIGHT: | SHEET 2 OF 3 | |

D-4788A

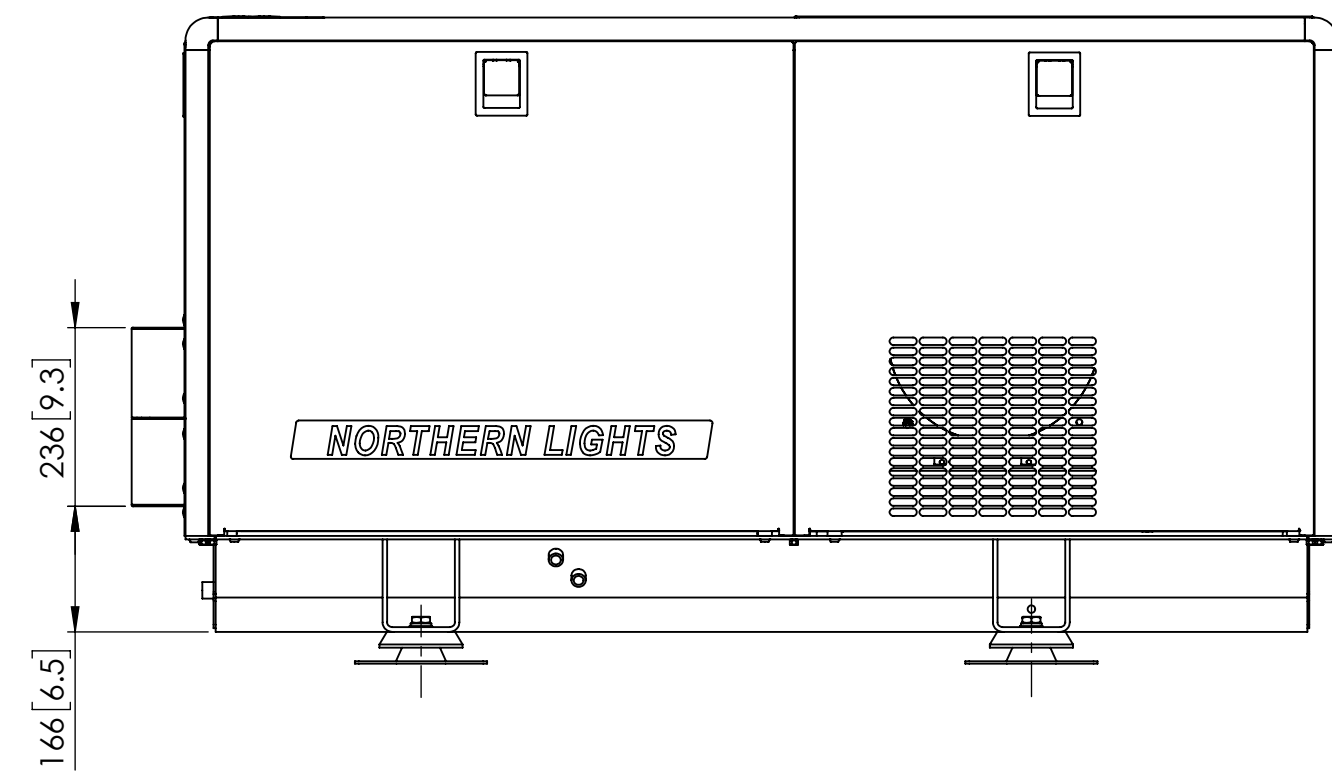
THE DIMENSIONS ON THIS DRAWING ARE SUBJECT TO CHANGE.
PLEASE CONTACT NORTHERN LIGHTS INC., TO BE SURE YOU HAVE
THE MOST CURRENT REVISION.



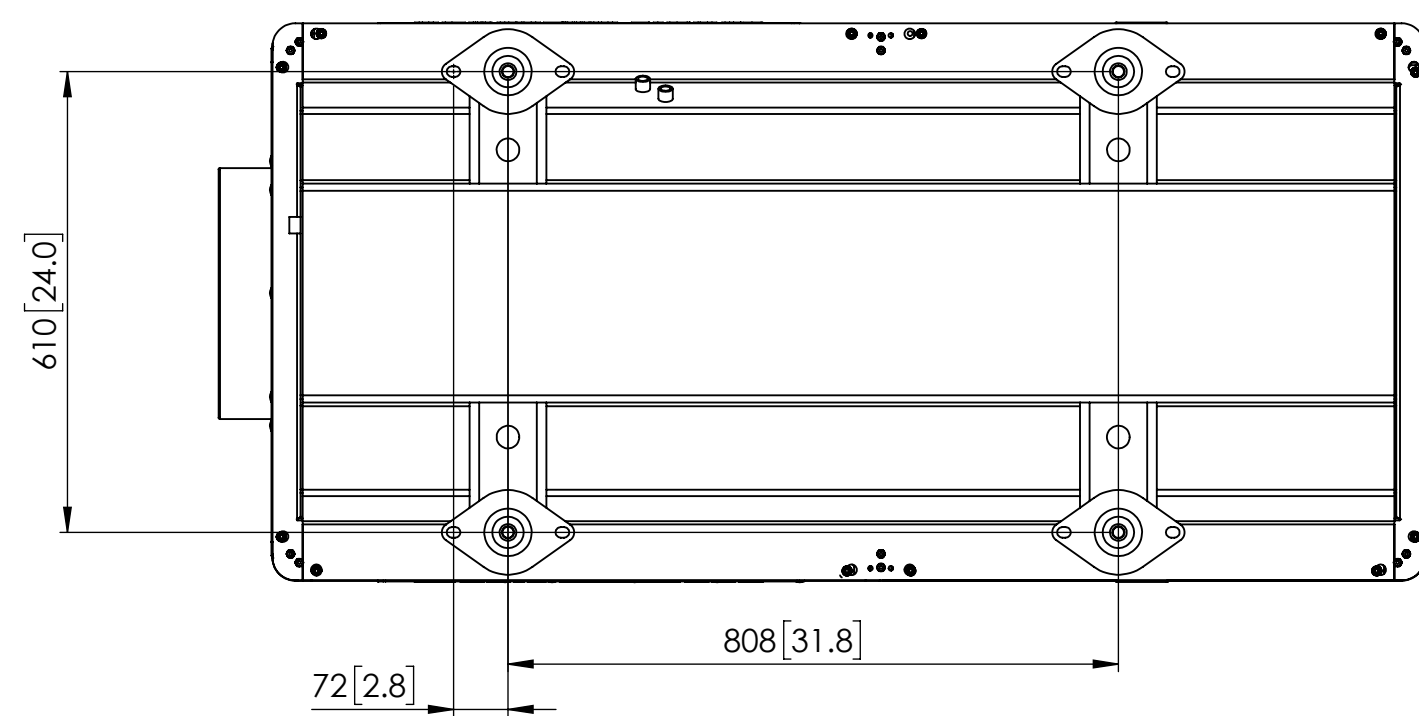
PLAN VIEW



FRONT VIEW



LEFT (SERVICE) SIDE VIEW



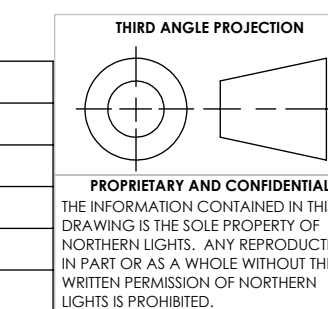
BOTTOM VIEW

B-SPLINE PTO OPTION

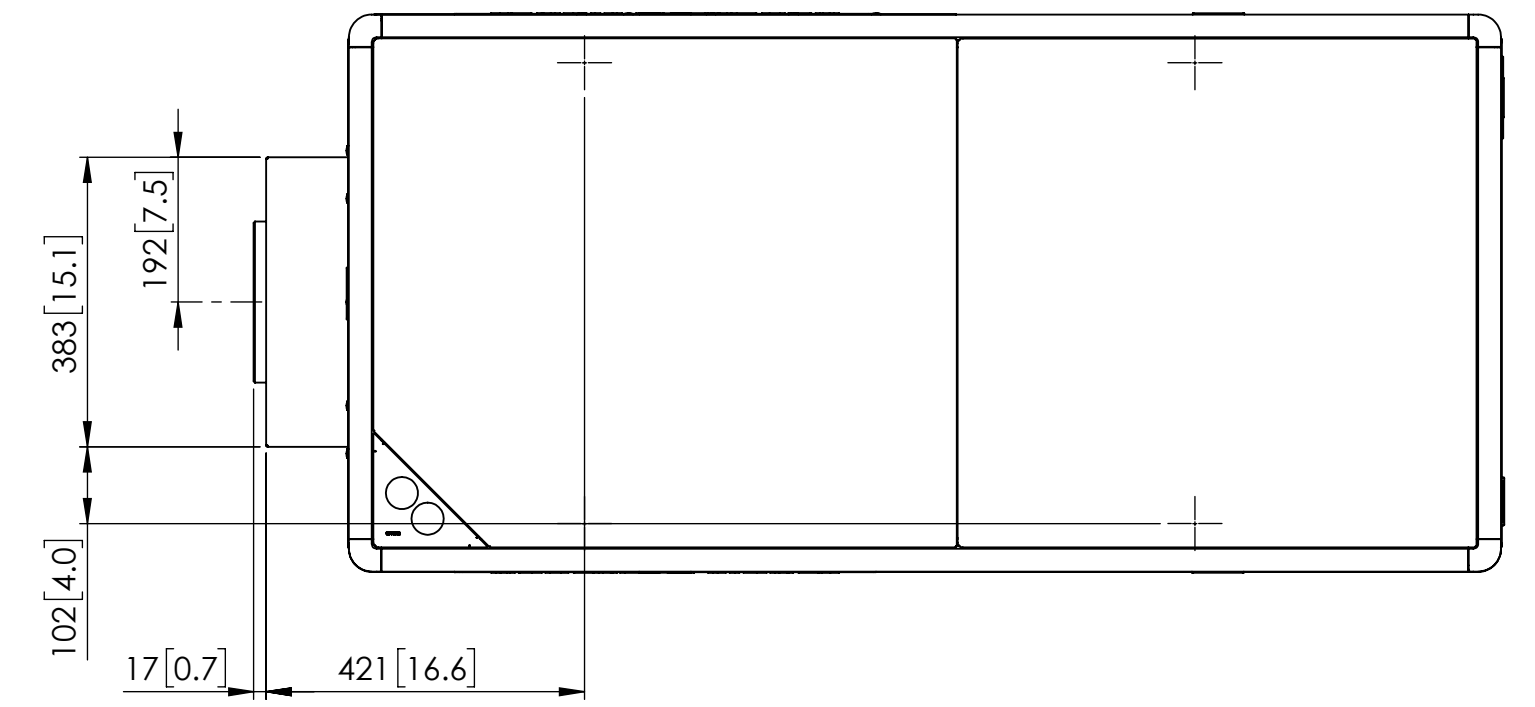
WEIGHT: 1446 LBS [656 KG]
WEIGHT WITH PTO OPTION (B-SPLINE): 1541 LBS [699 KG]
WEIGHT WITH PTO OPTION (C-SPLINE): 1580 LBS [717 KG]

NOTE: ALL VIEWS AND DIMENSIONS APPLICABLE TO M944T AND M944T3 GENERATOR UNLESS OTHERWISE SPECIFIED
NOTE: 05-71250/05-71255 DEPICTED. DRAWING APPLICABLE TO ALL LISTED P/N'S.

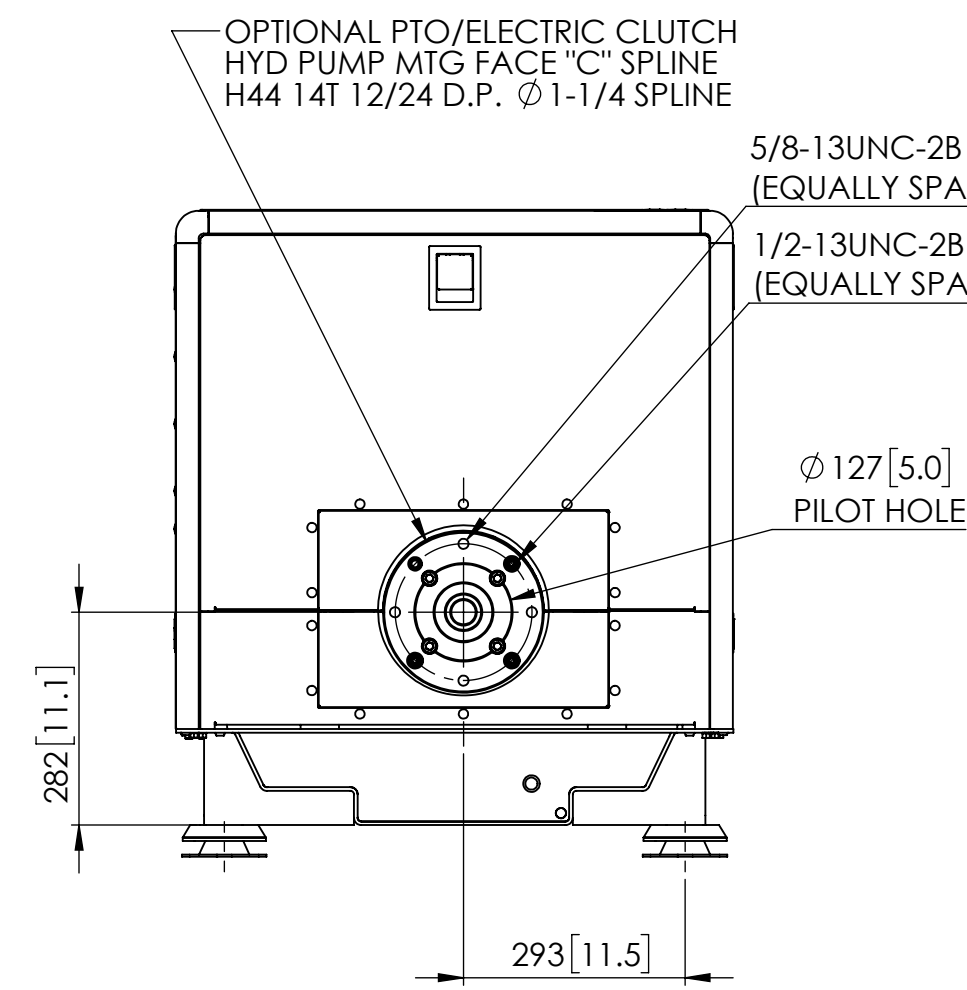
| P/N | APPLICATION |
|----------|---|
| 05-71235 | NLI WHITE T009-WH12 (STANDARD INSULATION) (STANDARD W/ FAN) |
| 05-71240 | TRAFFIC WHITE RAL 9016 (CLASSIFIED INSULATION) (STANDARD W/ FAN) |
| 05-71245 | TRAFFIC WHITE RAL 9016 (STANDARD INSULATION) (STANDARD W/ FAN) |
| 05-71250 | TRAFFIC WHITE RAL 9016 (STANDARD INSULATION) (STANDARD W/O FAN) |
| 05-71255 | TRAFFIC WHITE RAL 9016 (CLASSIFIED INSULATION) (STANDARD W/O FAN) |



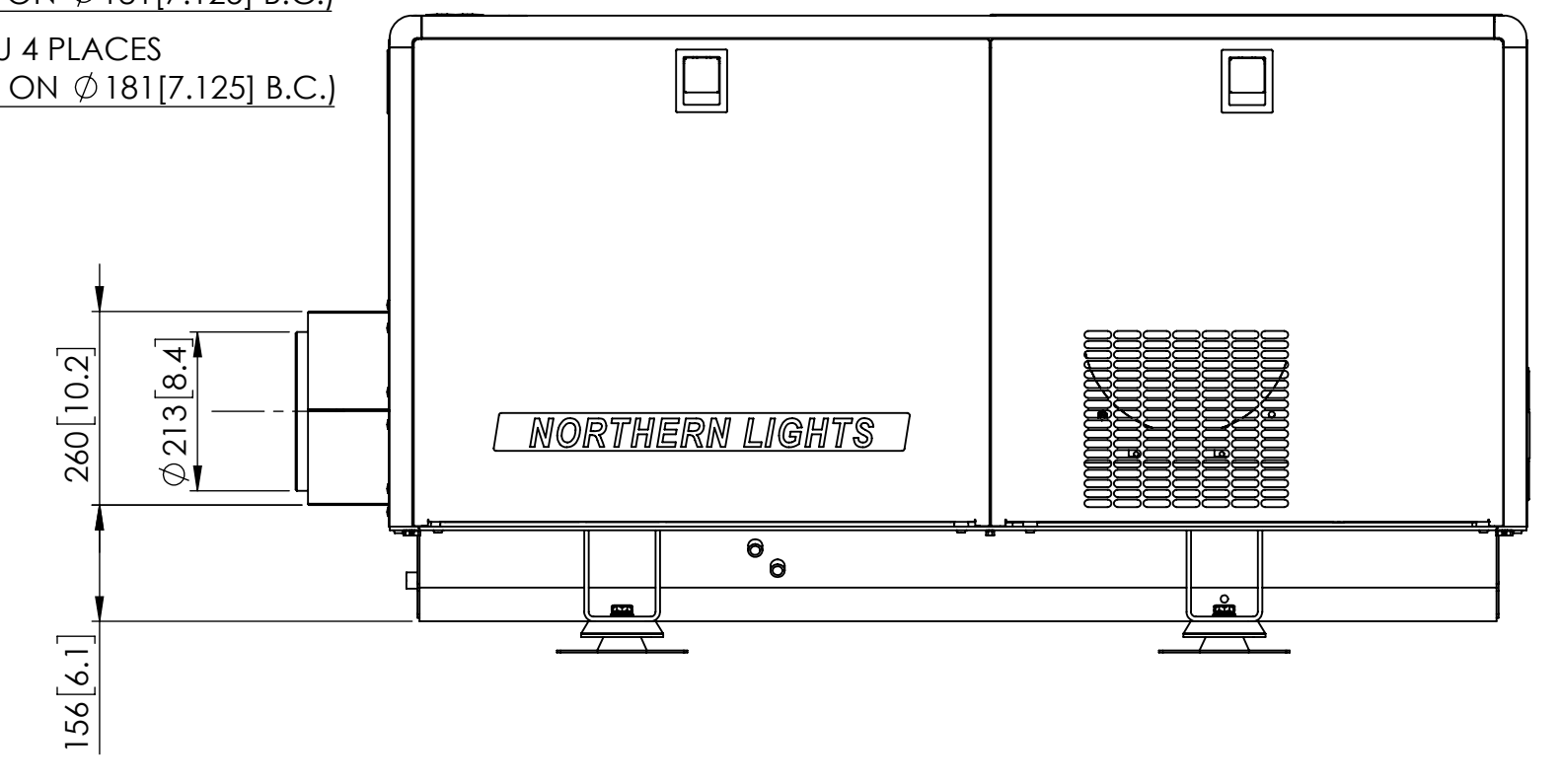
THIRD ANGLE PROJECTION
PROPERTY AND CONFIDENTIAL
THE INFORMATION CONTAINED IN THIS DRAWING IS THE SOLE PROPERTY OF NORTHERN LIGHTS. ANY REPRODUCTION IN PART OR AS A WHOLE WITHOUT THE WRITTEN PERMISSION OF NORTHERN LIGHTS IS PROHIBITED.



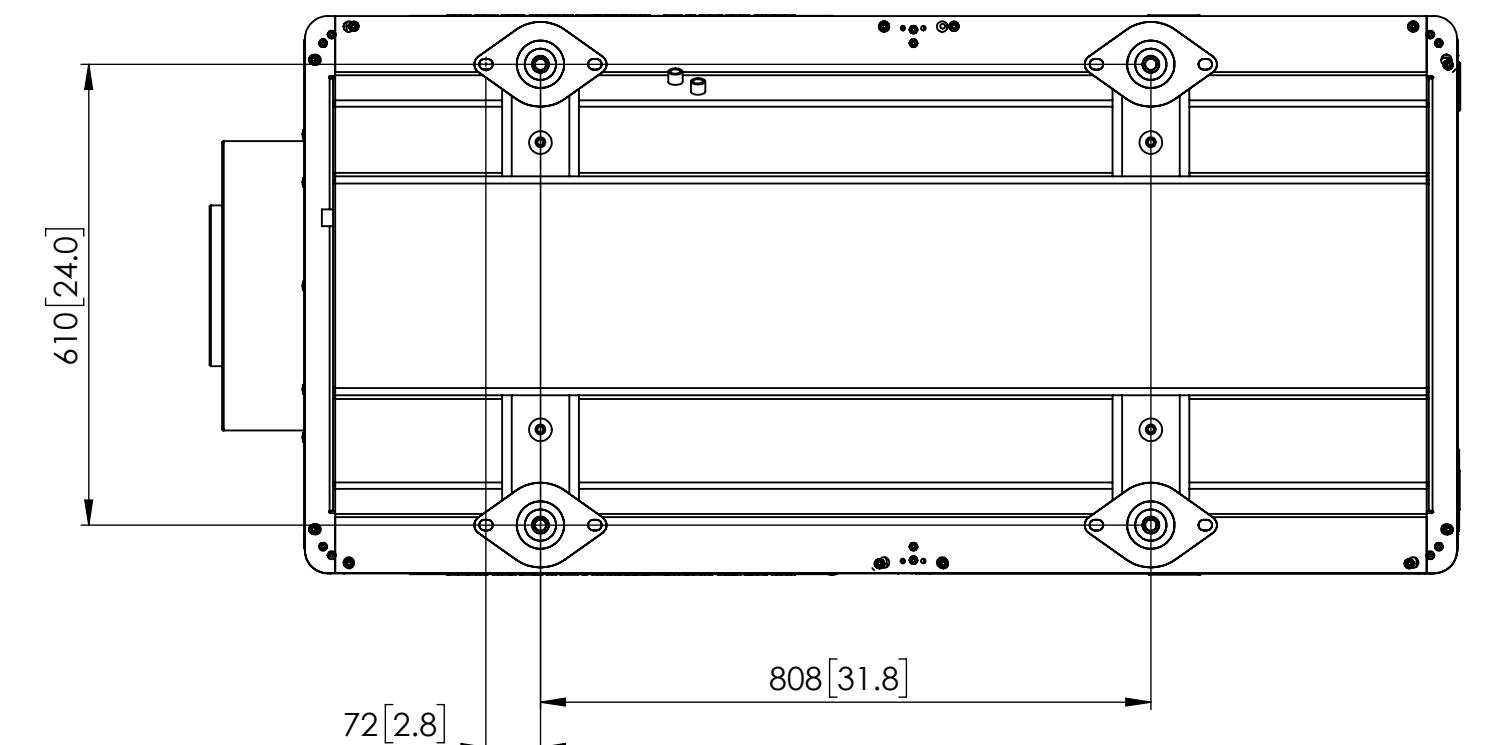
PLAN VIEW



FRONT VIEW



LEFT (SERVICE) SIDE VIEW



BOTTOM VIEW

C-SPLINE PTO OPTION

| REV. | DESCRIPTION | DATE | BY | CHECKED |
|------|---|-----------|-----|---------------|
| A | SEPARATED STANDARD SOUND ENCLOSURE AND OPTIONS TO SEPARATE SHEETS. ALSO ADDED DISPLAY OF SEVERAL OPTIONS AND APPLICATION TABLE. FILED UNDER ECN #4431 | 11/2/2016 | AZB | LTP 11/2/2016 |

| UNLESS OTHERWISE SPECIFIED: | NAME | DATE |
|-----------------------------------|------|---------|
| DIMENSIONS ARE IN MILLIMETERS | AZB | 11/2/16 |
| TOLERANCES: | LTP | 11/2/16 |
| ANGULAR: MACH'D ±0.5° BEND ± 1.0° | | |
| X: ± 1.0 | | |

| REVISIONS | DATE | BY | CHECKED |
|-----------|------|----|---------|
| | | | |

| | | | | | |
|-----------|--|------|--|---------|--|
| DRAWN | | NAME | | DATE | |
| CHECKED | | LTP | | 11/2/16 | |
| ENG APPR. | | | | | |
| MEG APPR. | | | | | |
| G.A. | | | | | |
| COMMENTS: | | | | | |

| | | | |
|--|---------------|---|-----|
| TITLE: | | 4420 14th AVE. N.W. Seattle, WA 98107 (206) 789-3880 www.northern-lights.com | |
| INSTALLATION DIMENSIONS M944T3/M944T SOUND SHIELD, OPTIONAL EQUIPMENT | | | |
| SIZE | PART NO. | DWG. NO. | REV |
| D | SEE P/N TABLE | D-4788 | A |
| SCALE: 1:20 | WEIGHT: | SHEET 3 OF 3 | |